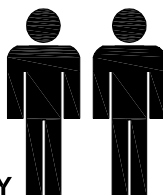


MODEL NAME:
CAMBOURNE
3 DRAWER DISPLAY UNIT

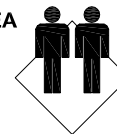
60min

APPROXIMATE ASSEMBLY TIME



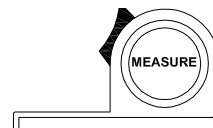
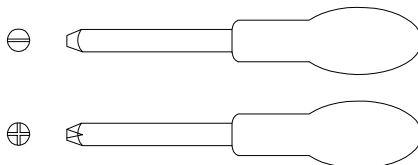
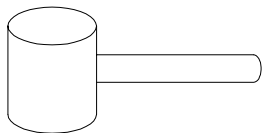
2 PEOPLE FOR ASSEMBLY

FLOOR AREA
2.2M X 1.2M



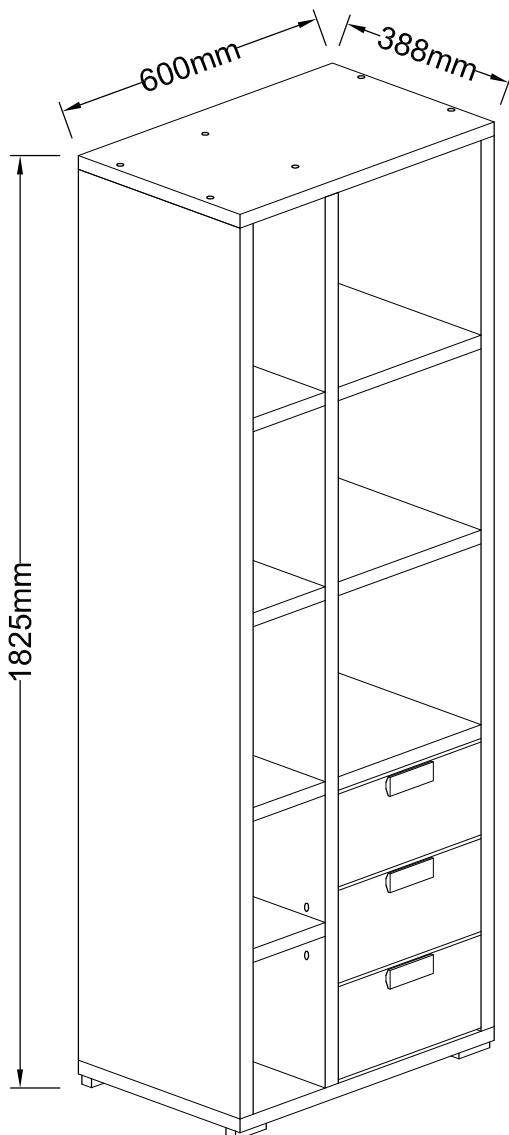
CEILING HEIGHT
2.2M

WEIGHTS 54.3KGS.BUILD IN LOCATION
 REQUIRED ASSEMBLY SPACE



REQUIRED ASSEMBLY TOOLS

ASSEMBLED DIMENSIONS



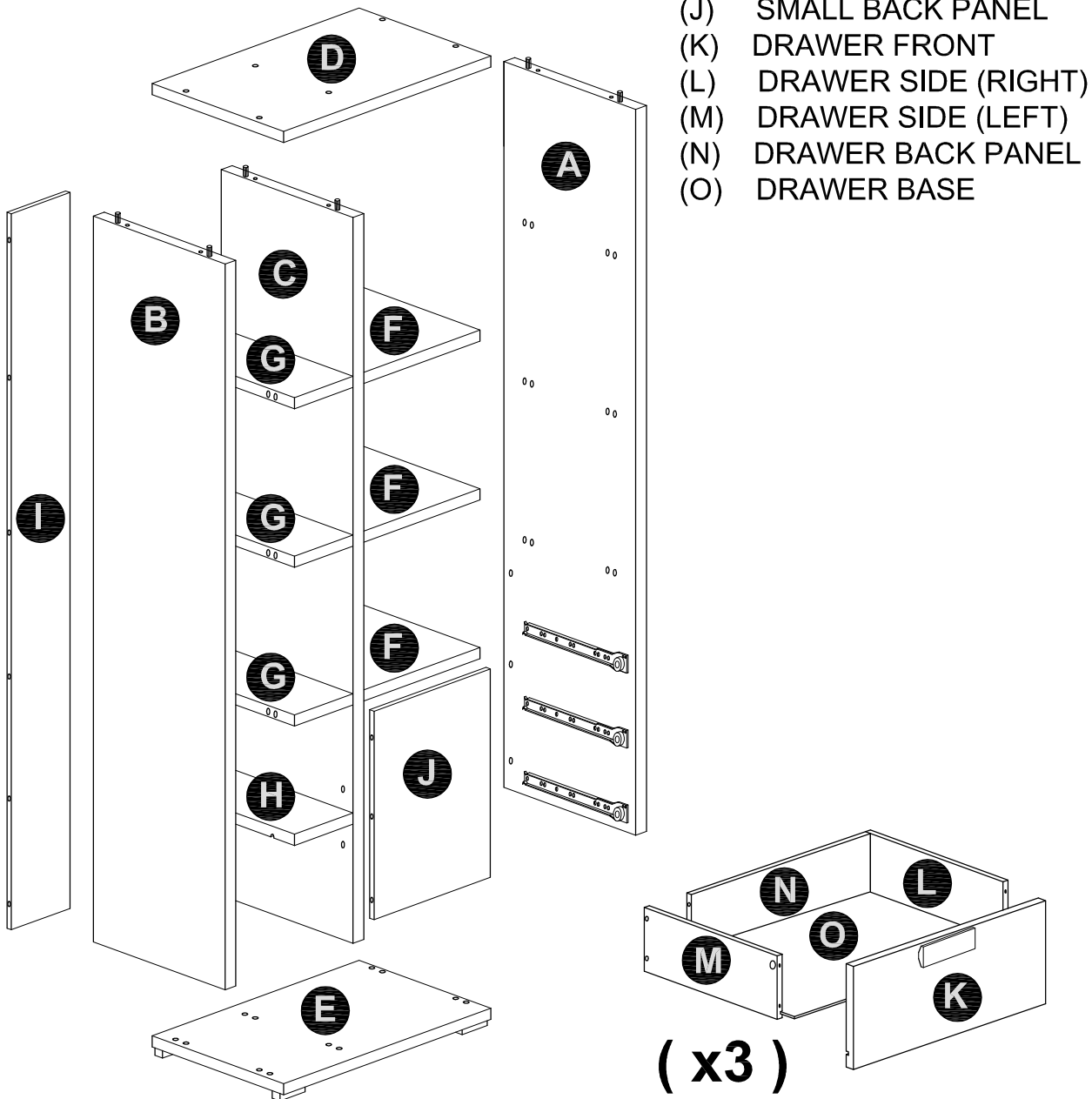
NOTE : THE MAXIMUM WEIGHT THIS PRODUCT CAN HOLD UP TO IS 25 KGS.

MODEL NAME:

**CAMBOURNE
3 DRAWER DISPLAY UNIT**

PARTS LIST

NO.	PART LIST	QTY
(A)	RIGHT SIDE PANEL	1
(B)	LEFT SIDE PANEL	1
(C)	CENTRE PANEL	1
(D)	TOP PANEL	1
(E)	BOTTOM PANEL	1
(F)	LARGE FIXED SHELF	3
(G)	SMALL FIXED SHELF	3
(H)	ADJUSTABLE SHELF	1
(I)	BACK PANEL	1
(J)	SMALL BACK PANEL	1
(K)	DRAWER FRONT	3
(L)	DRAWER SIDE (RIGHT)	3
(M)	DRAWER SIDE (LEFT)	3
(N)	DRAWER BACK PANEL	3
(O)	DRAWER BASE	3



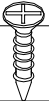
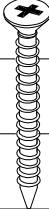



(x3)

MODEL NAME:

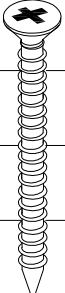


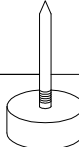
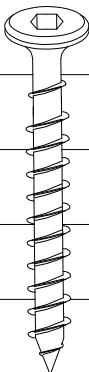
**CAMBOURNE
3 DRAWER DISPLAY UNIT**

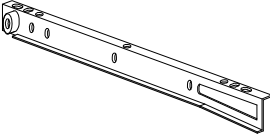
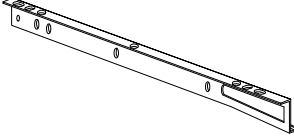
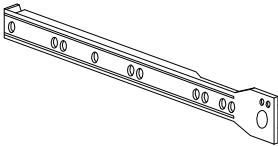
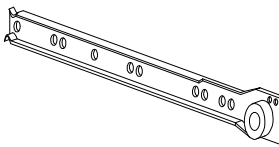
HARDWARE LIST

4cm
3cm
2cm
1cm
0cm

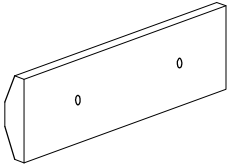
				
24X	18X	24X	30X	60X
M3.5 x 12mm	M3.5 x 25mm	Dia.15mm	M6.5	Dia.6 x 30mm
1	2	3	4	5
FLAT HEAD SCREW	FLAT HEAD SCREW	CAM-LOCK	CAM BOLT	WOOD DOWEL

5cm
4cm
3cm
2cm
1cm
0cm

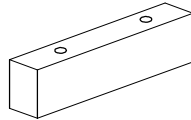
				
8X	6X	4X	4X	12X
M5 x 40mm	Dia.15mm	Dia.5 x 16mm		M7 x 50mm
6	7	8	9	10
FLAT HEAD SCREW	DRAWER CAM-LOCK	SHELF SUPPORT	FOOT	ALLEN HEAD SCREW

			
3X	3X	3X	3X
11	12	13	14
DRAWER RUNNER (RIGHT)	DRAWER RUNNER (LEFT)	DRAWER RUNNER TRACK (LEFT)	DRAWER RUNNER TRACK (RIGHT)

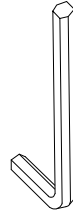
MODEL NAME:

**CAMBOURNE
3 DRAWER DISPLAY UNIT****HARDWARE LIST****3X****15**

HANDLE

**4X****16**

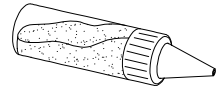
LEG

**1X**

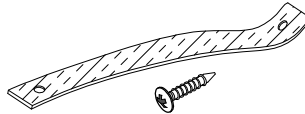
M4

17

ALLEN KEY

**2X****18**

GLUE 10CC

**1X****19**ANTI TIP
STRAP

	MODEL NAME: CAMBOURNE 3 DRAWER DISPLAY UNIT
--	--

Top Tips before you start!

1. Please check that all parts are present before you start the assembly of your furniture.
2. For ease and speed of assembly, we recommend that before you commence each step of the assembly, that you identify all the parts required for that step.
3. For larger items, please ensure that you have sufficient space and people (as indicated on page 1) to assemble your product safely
4. We recommend that, where possible, all items are assembled near to the area in which they will be placed in use, to avoid moving the product unnecessarily once assembled.
5. For the protection of your furniture, particularly items of high gloss finish, we recommend that the product is placed on a protected surface during assembly to prevent any damage.
6. During assembly please take care not to over-tighten any fittings, as this may damage the product.
7. Always place the product on a flat, steady and stable surface.
8. Do not sit or stand on the product.
Do not use the product as a stepladder.
9. This product is intended for indoor, household use only as it is non industrial product.
10. This product is constructed from re-inforced hollow board. Excessive pressure could cause irreparable damage. Please do not kneel on any part of this product during assembly.

Care and Maintenance of your Furniture

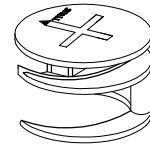
- Please periodically check all fittings and re-tighten as necessary.
- To clean your item, please use a damp cloth and wipe clean.
- Never allow any kind of liquid to remain on your furniture.
- Please do not place hot items (e.g. hot drinks) directly on to the wood surface.
- Please do not drag and pull your furniture.

MODEL NAME:

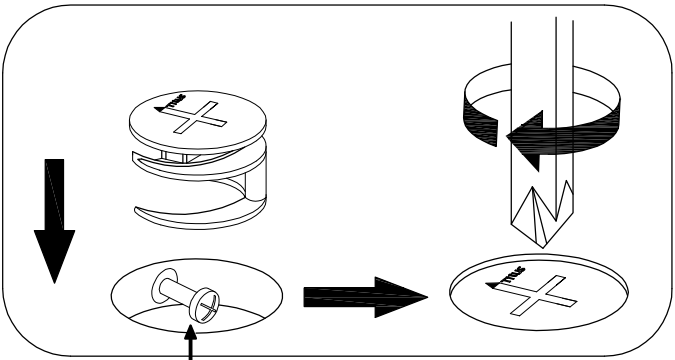
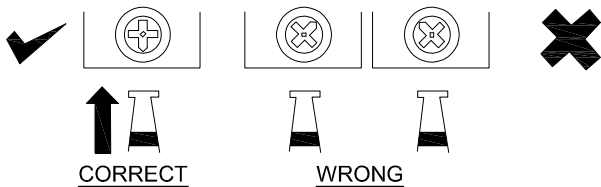
**CAMBOURNE
3 DRAWER DISPLAY UNIT**

**SPECIAL TIPS FOR FITTING CAM-LOCKS
AND CAM BOLT**

CAM-LOCK

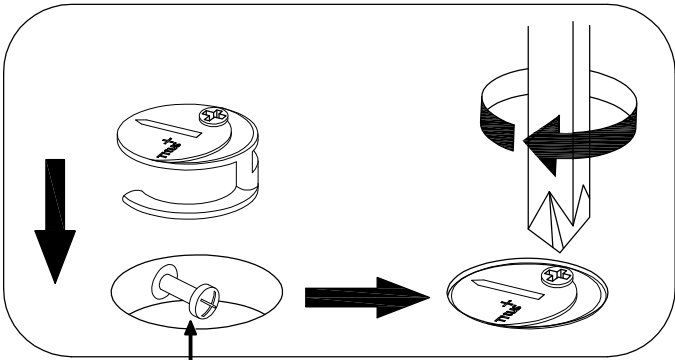
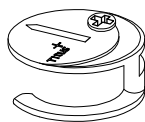


WHEN FITTING CAM-LOCK
ENSURE STARTING POSITION IS CORRECT
BEFORE YOU INSERT CONNECTING CAM BOLT
TURN CLOCKWISE UNTIL SECURE



Cam bolt head needs to be in centre

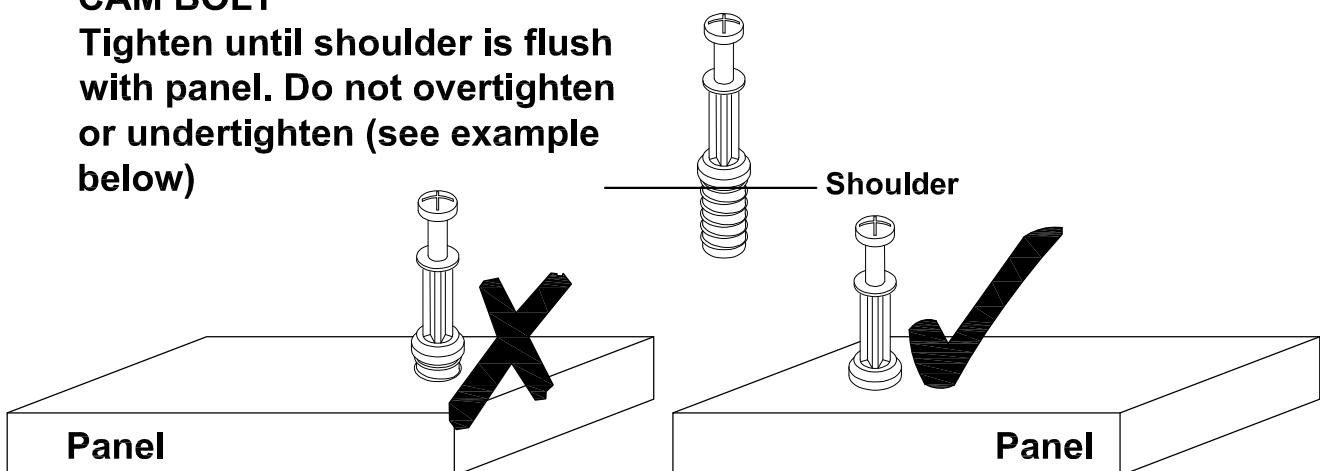
**DRAWER
CAM-LOCK**



Cam bolt head needs to be in centre

CAM BOLT

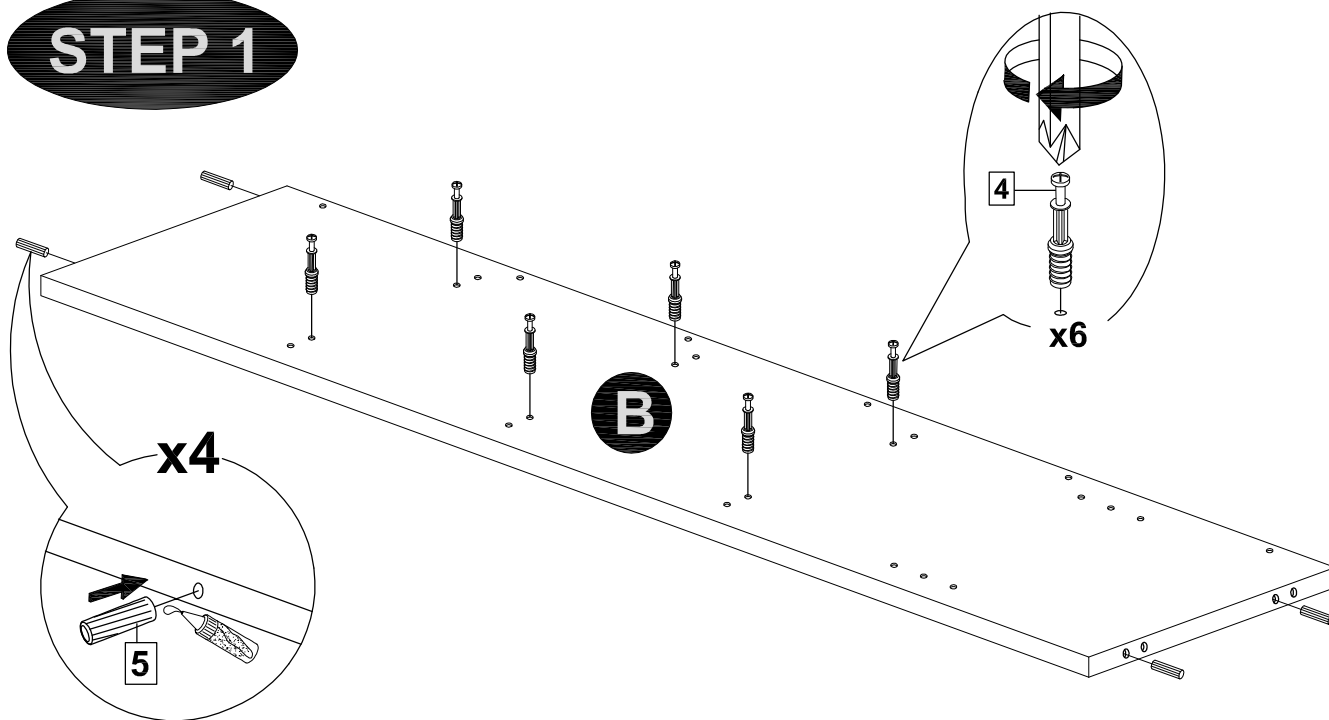
Tighten until shoulder is flush with panel. Do not overtighten or undertighten (see example below)



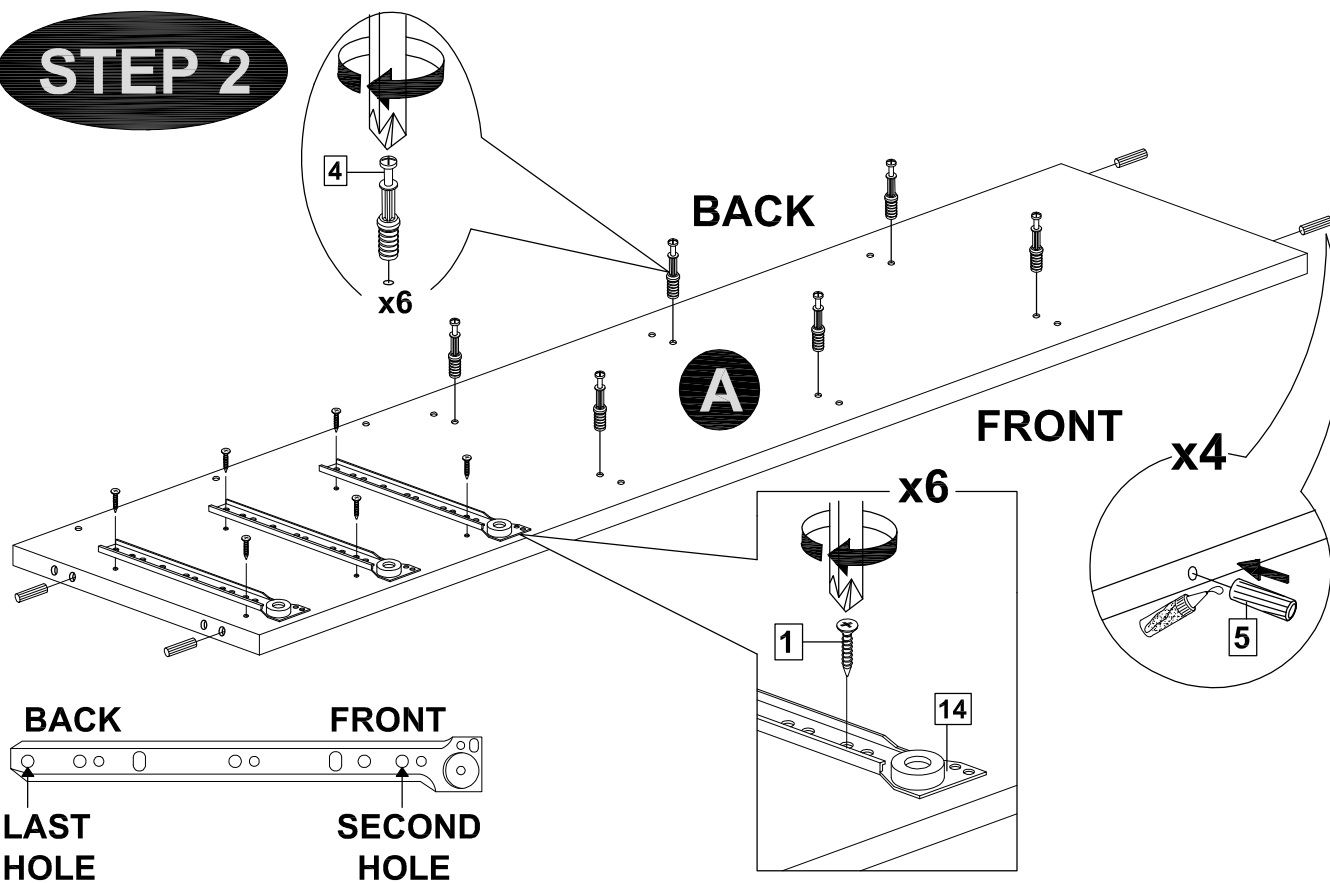
MODEL NAME:

CAMBOURNE 3 DRAWER DISPLAY UNIT

STEP 1



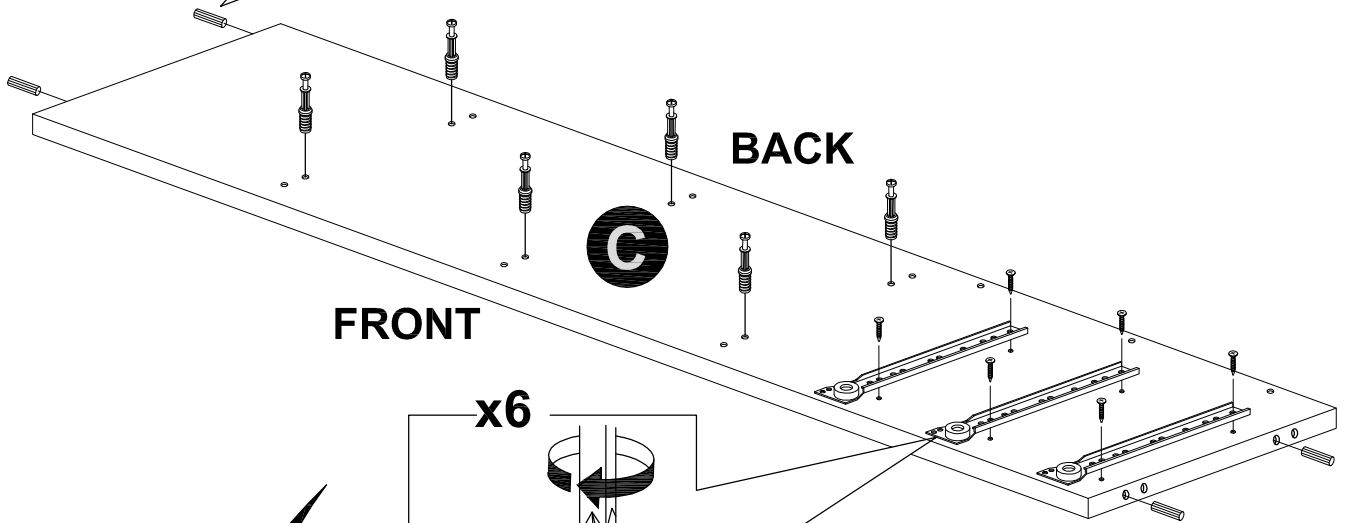
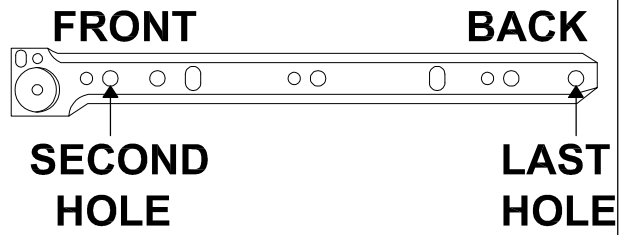
STEP 2



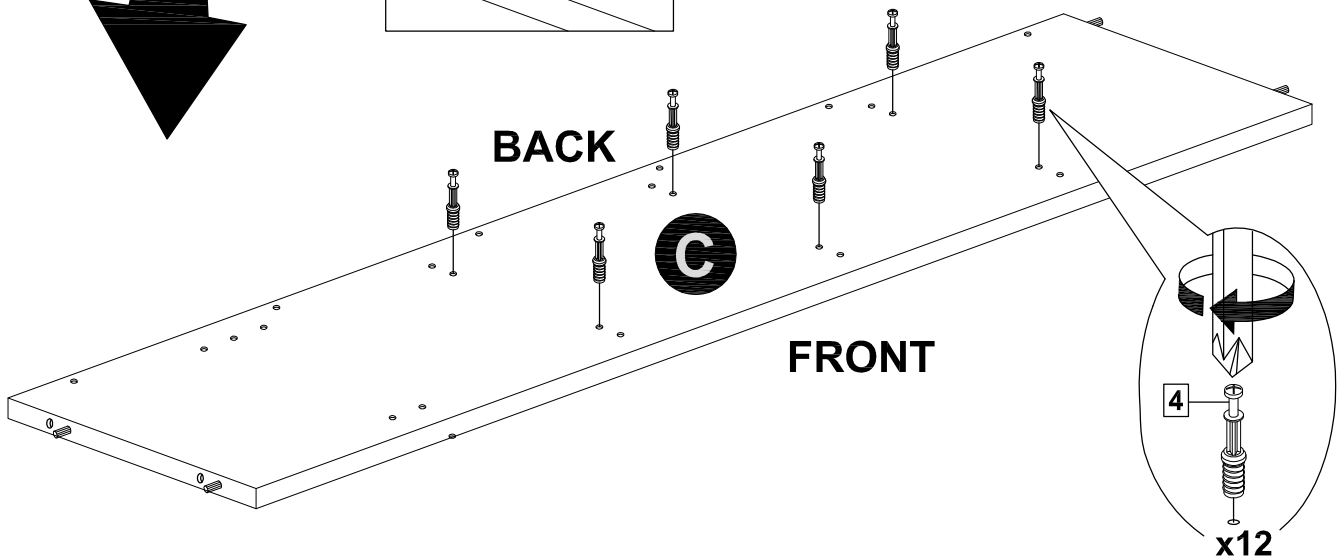
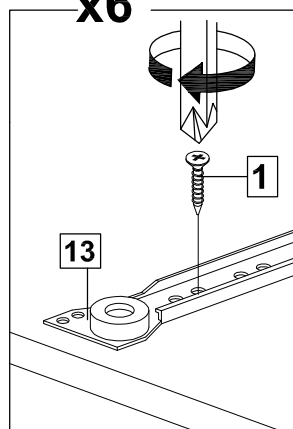
MODEL NAME:
CAMBOURNE
3 DRAWER DISPLAY UNIT

STEP 3

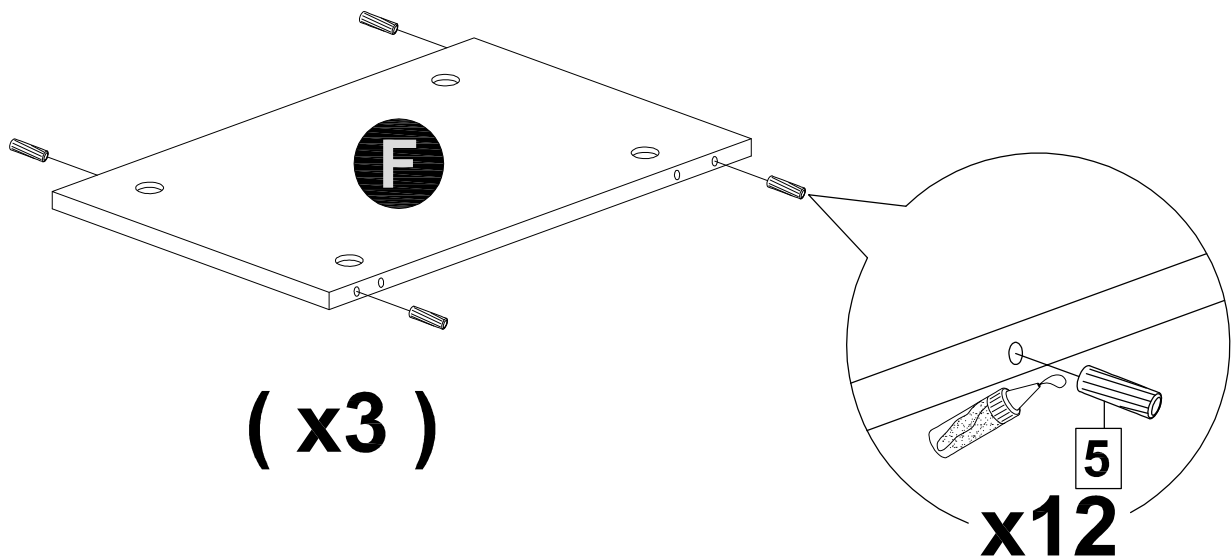
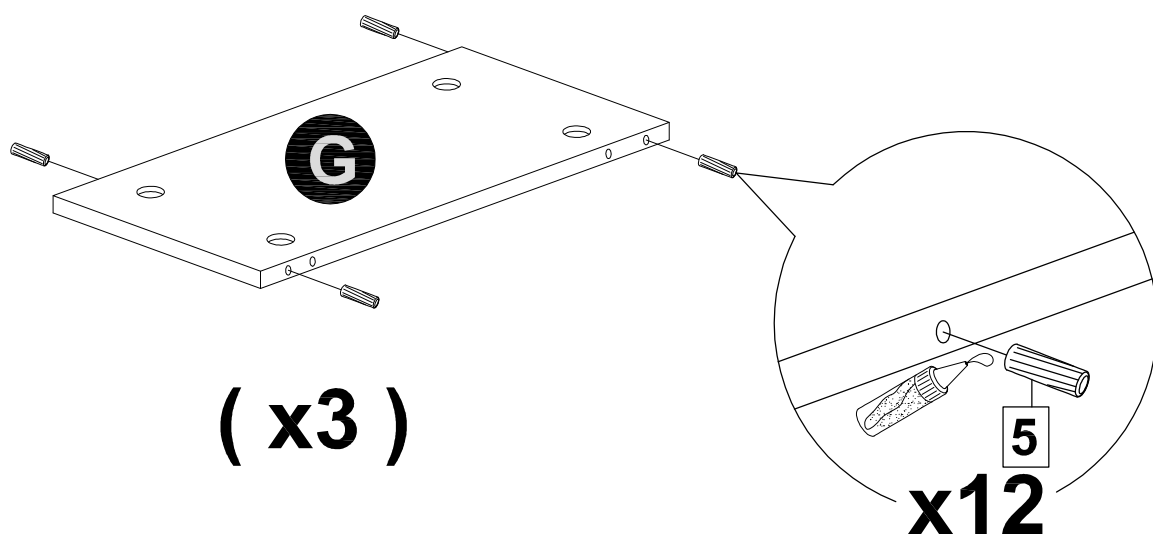
x4



x6



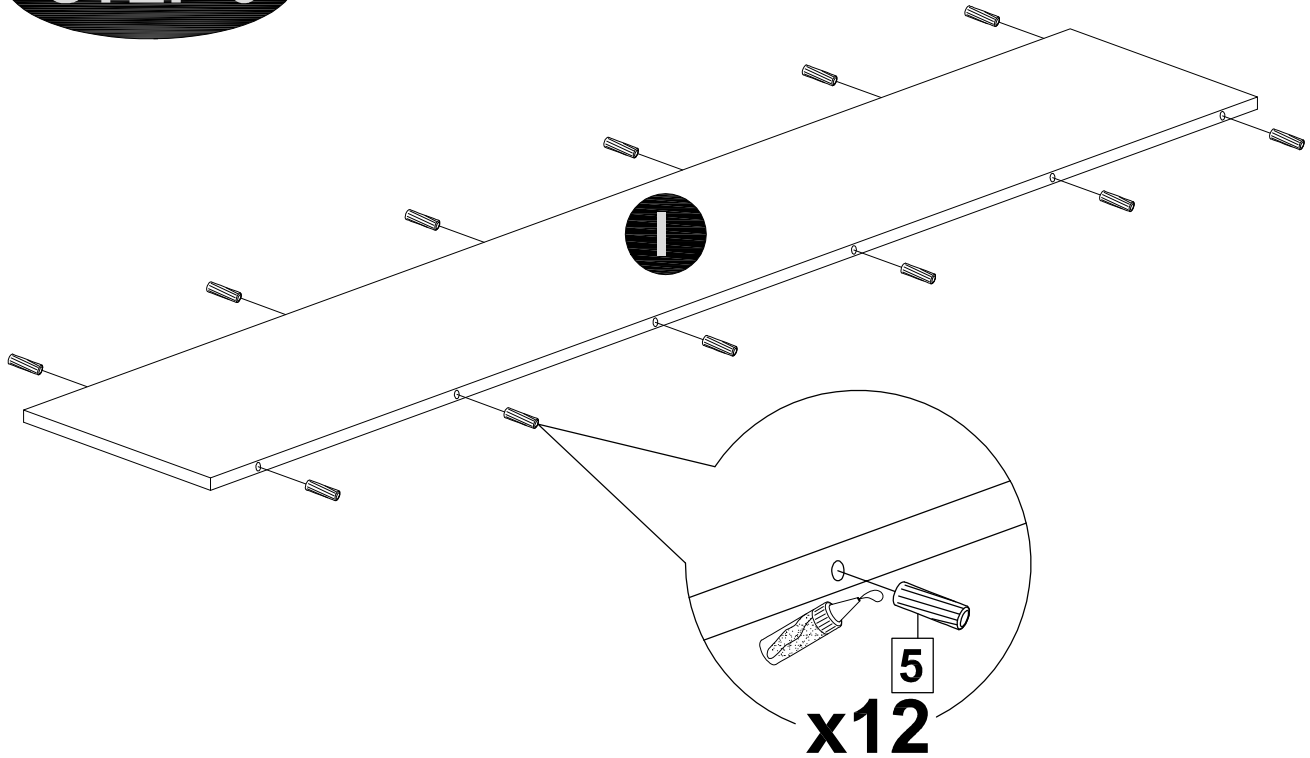
MODEL NAME:

CAMBOURNE
3 DRAWER DISPLAY UNIT**STEP 4****STEP 5**

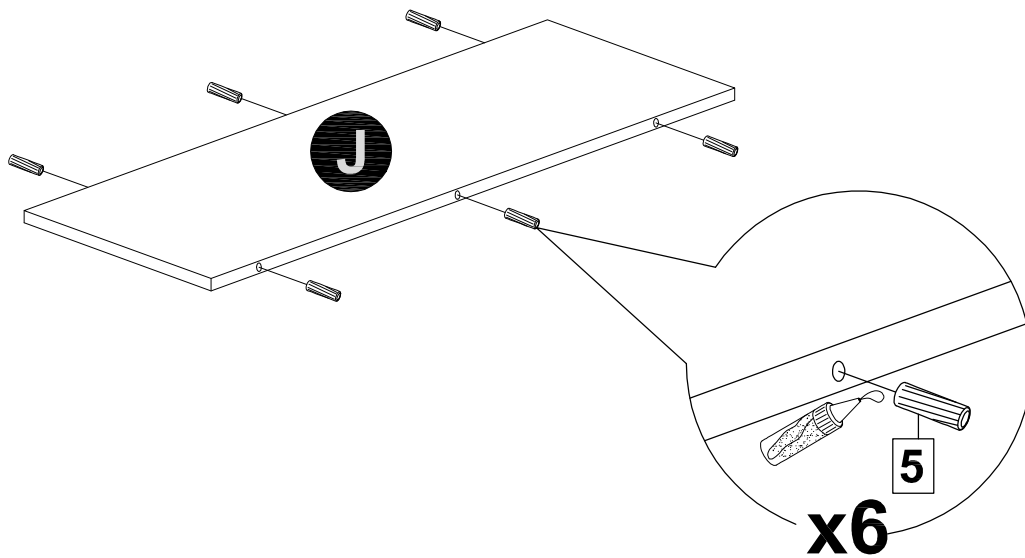
MODEL NAME:

**CAMBOURNE
3 DRAWER DISPLAY UNIT**

STEP 6

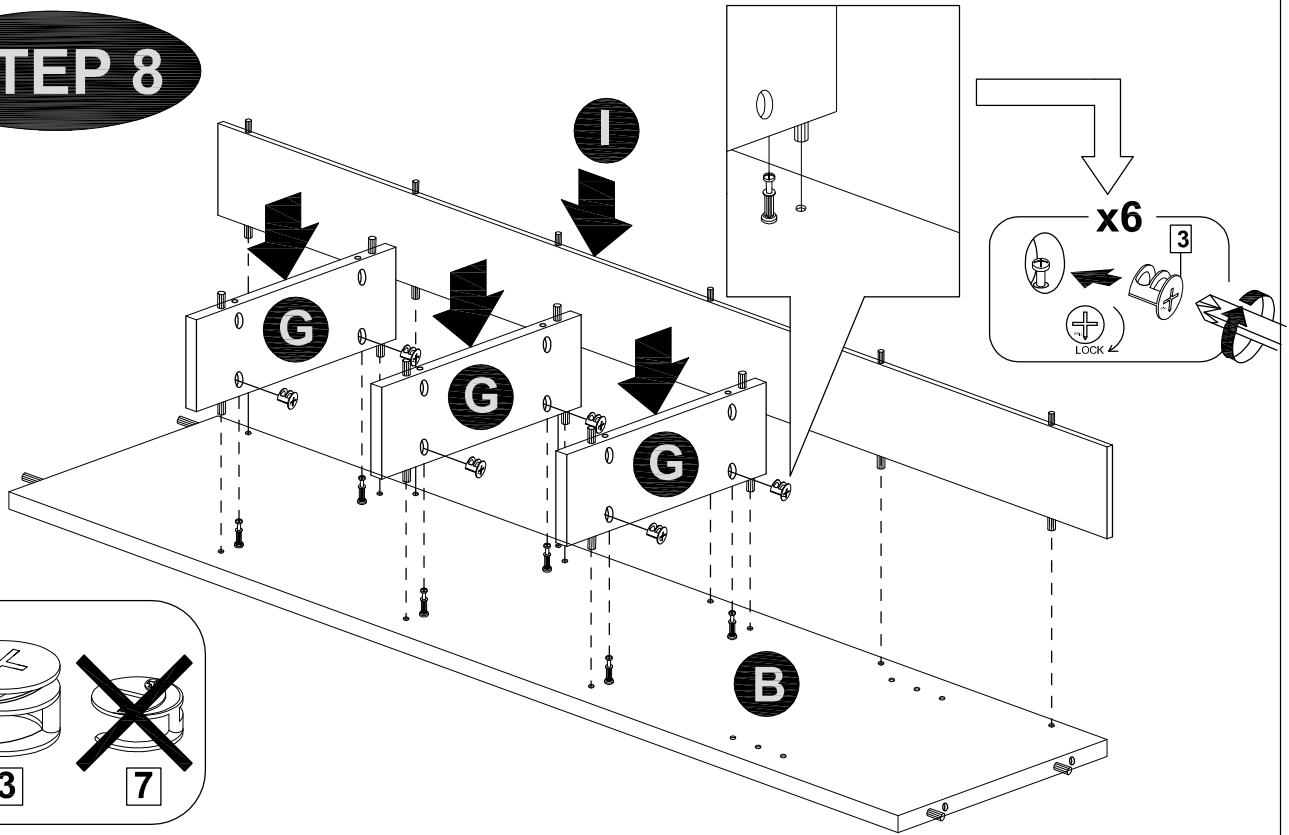


STEP 7

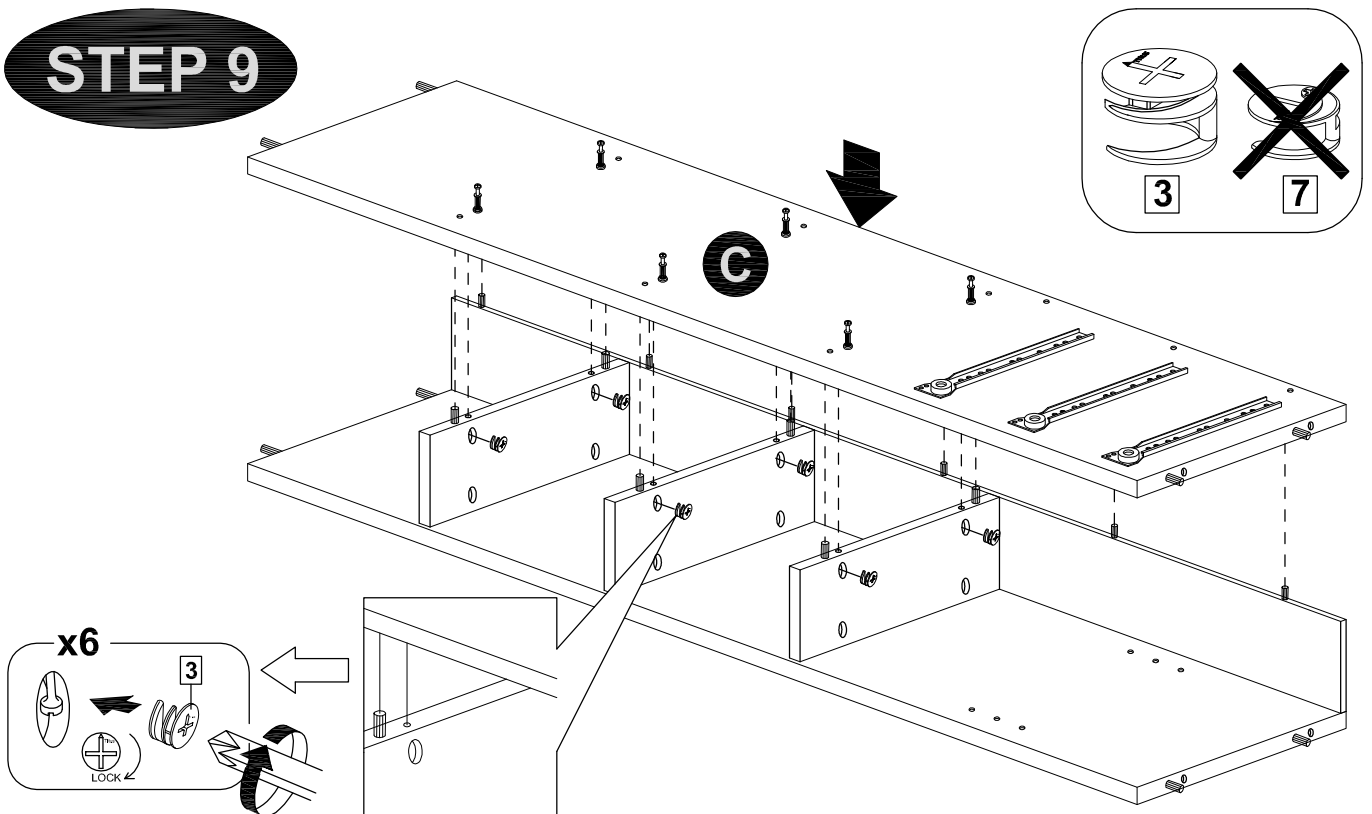


MODEL NAME:
CAMBOURNE
3 DRAWER DISPLAY UNIT

STEP 8

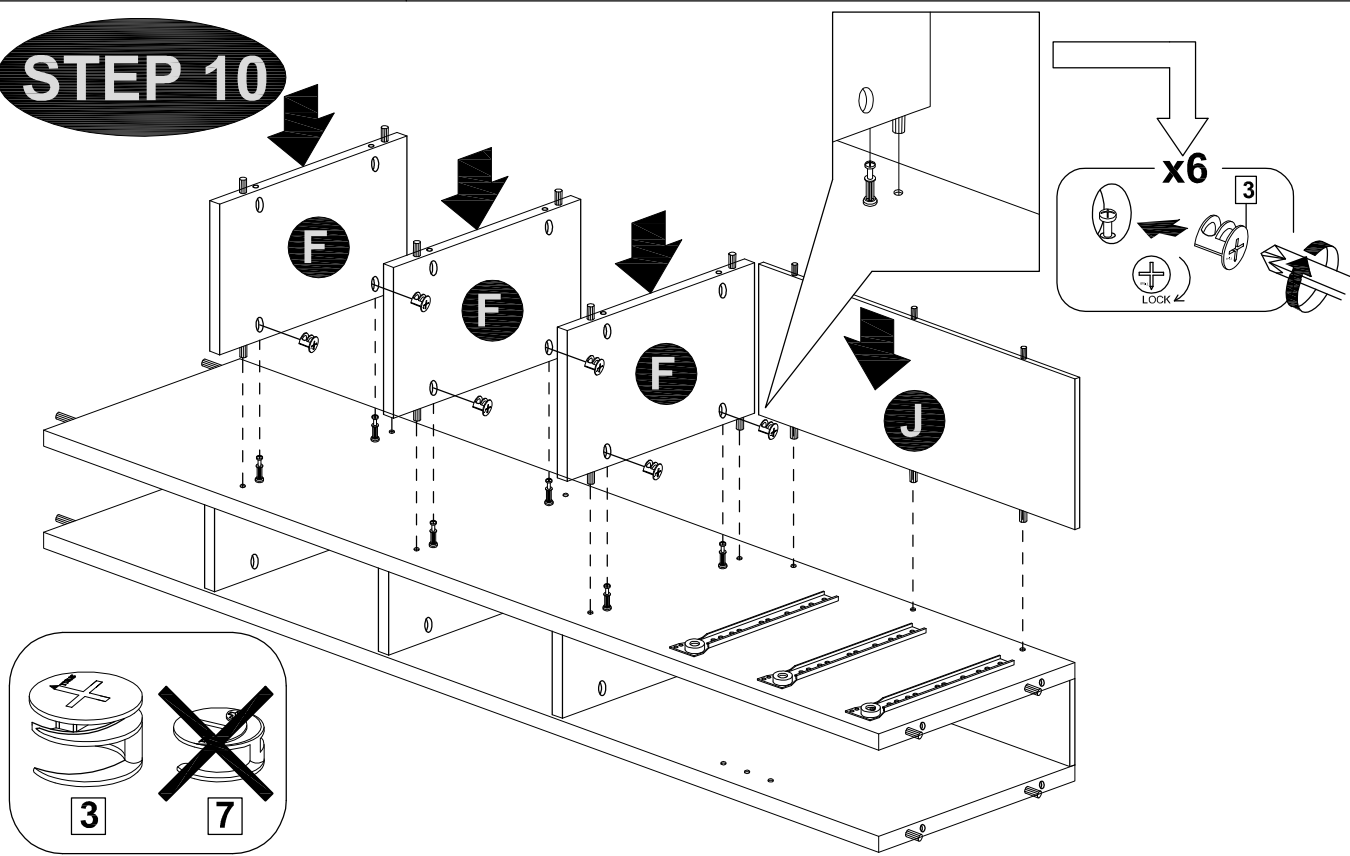


STEP 9

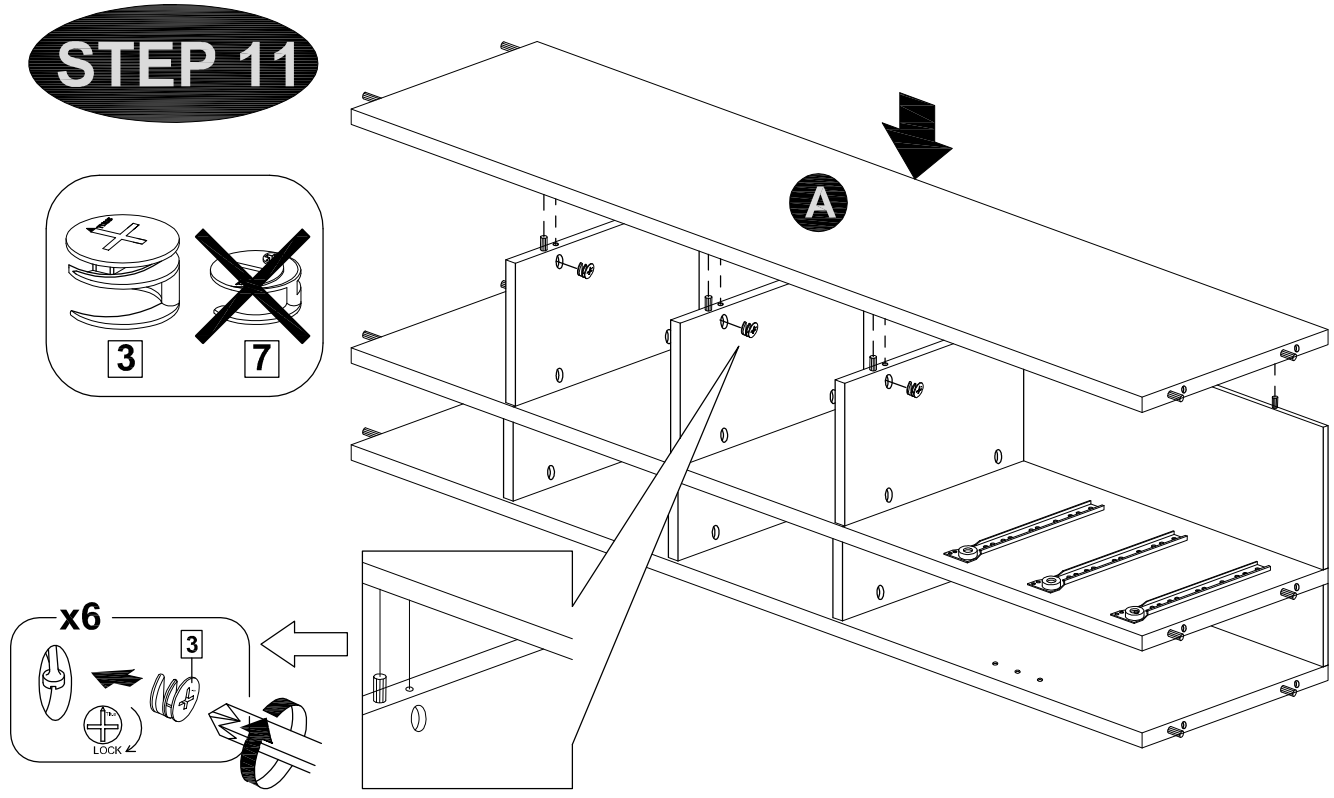


MODEL NAME:
CAMBOURNE
3 DRAWER DISPLAY UNIT

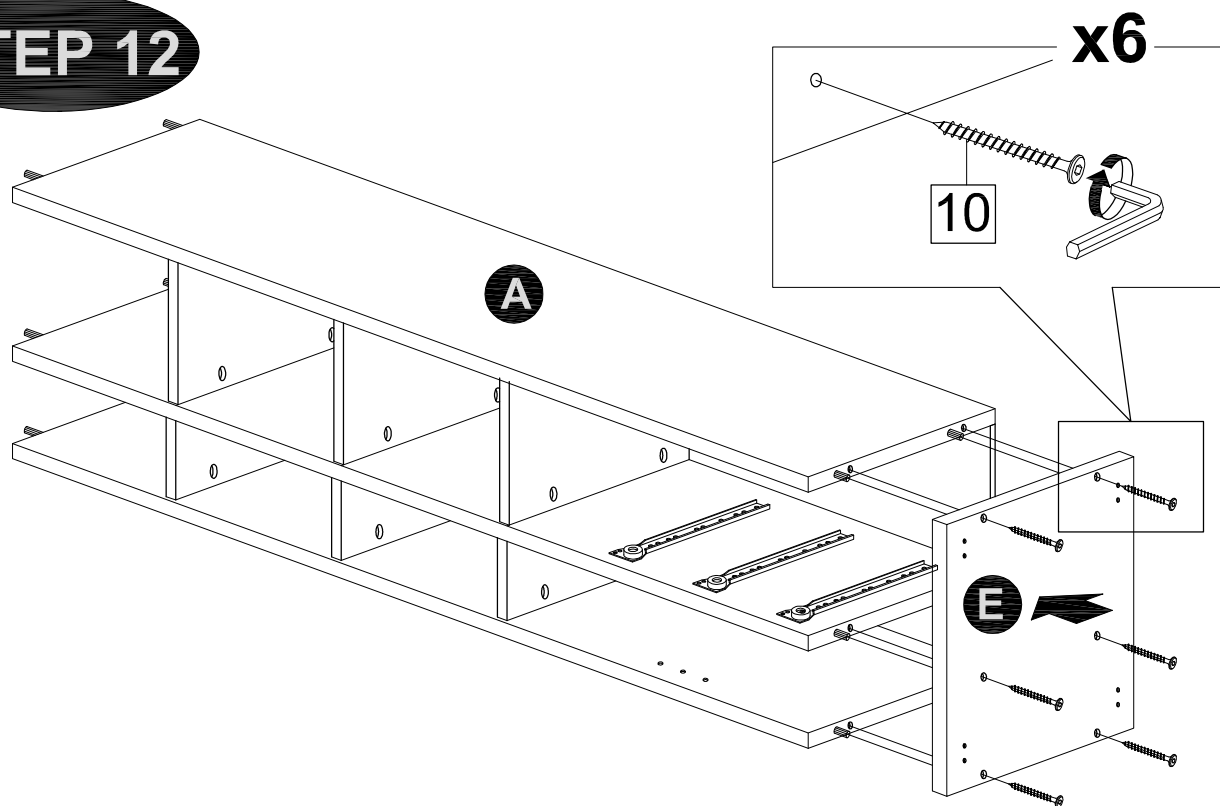
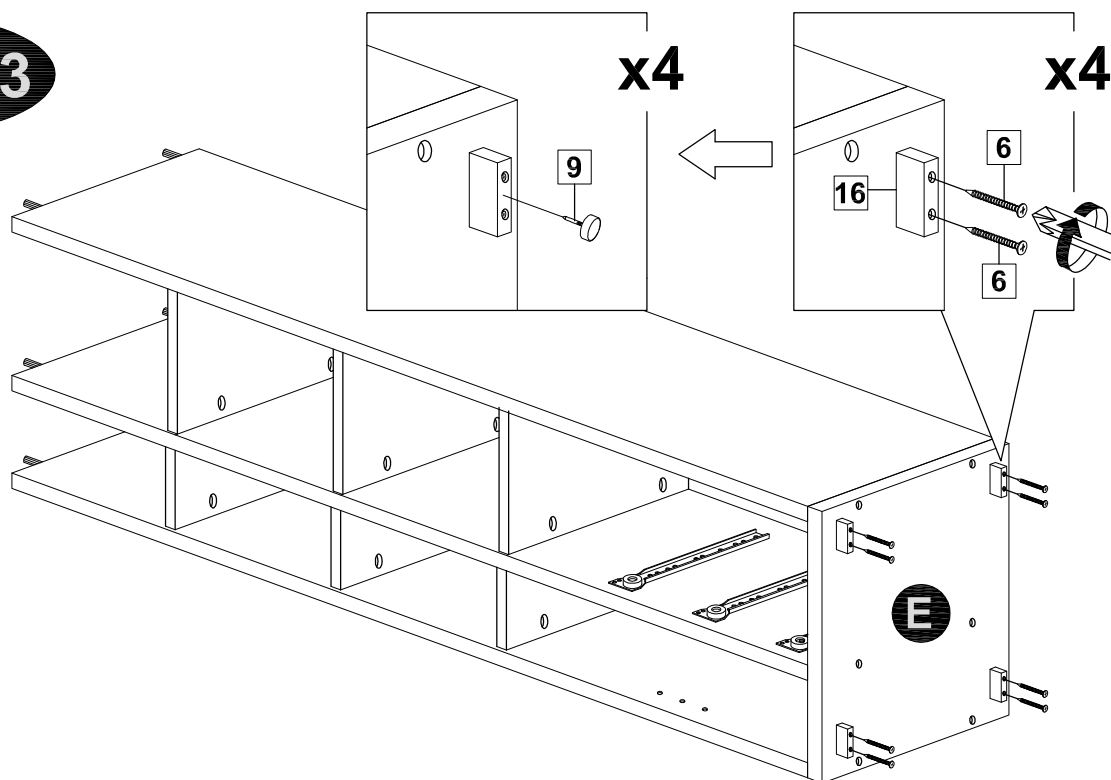
STEP 10



STEP 11

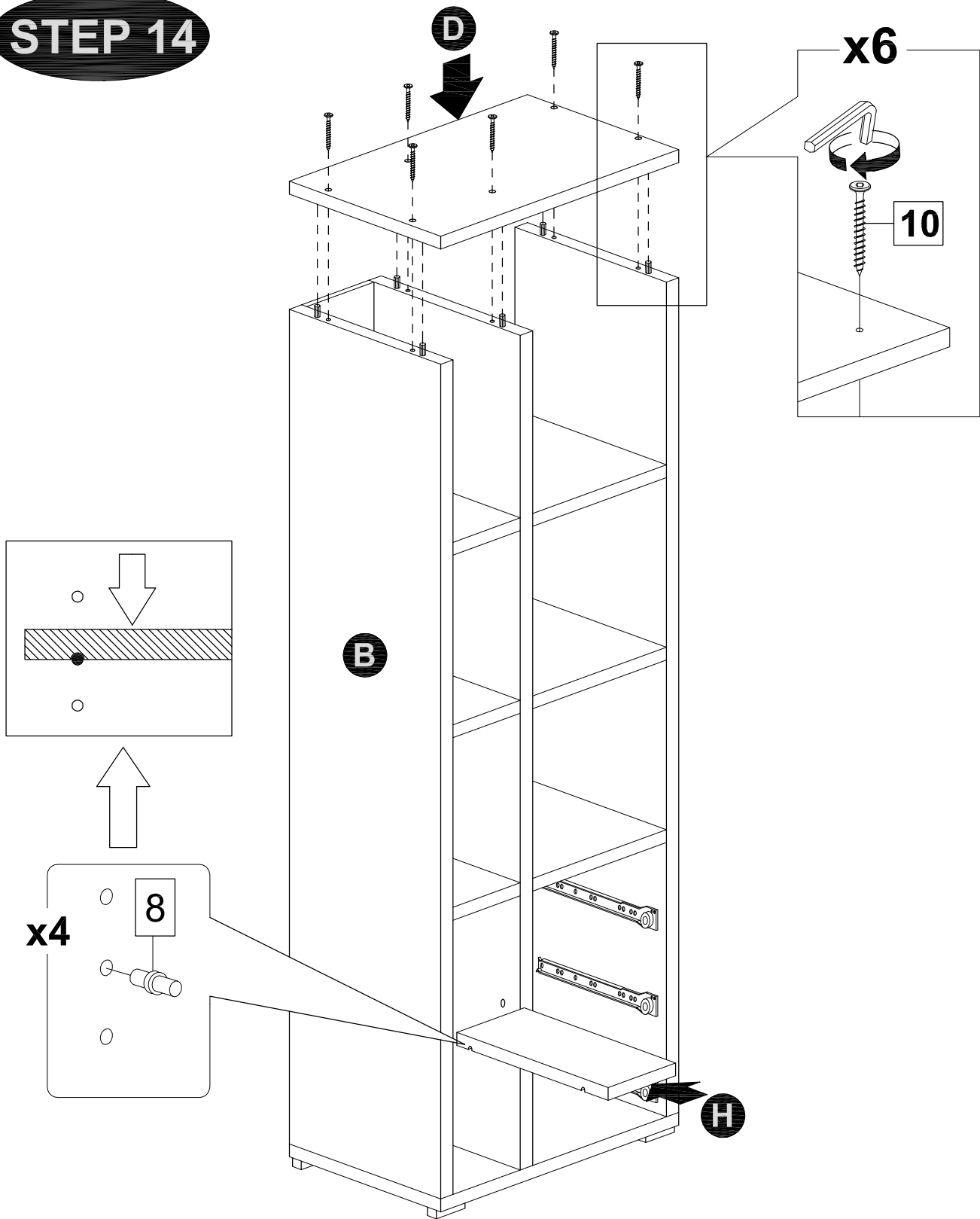


MODEL NAME:
CAMBOURNE
3 DRAWER DISPLAY UNIT

STEP 12**STEP 13**

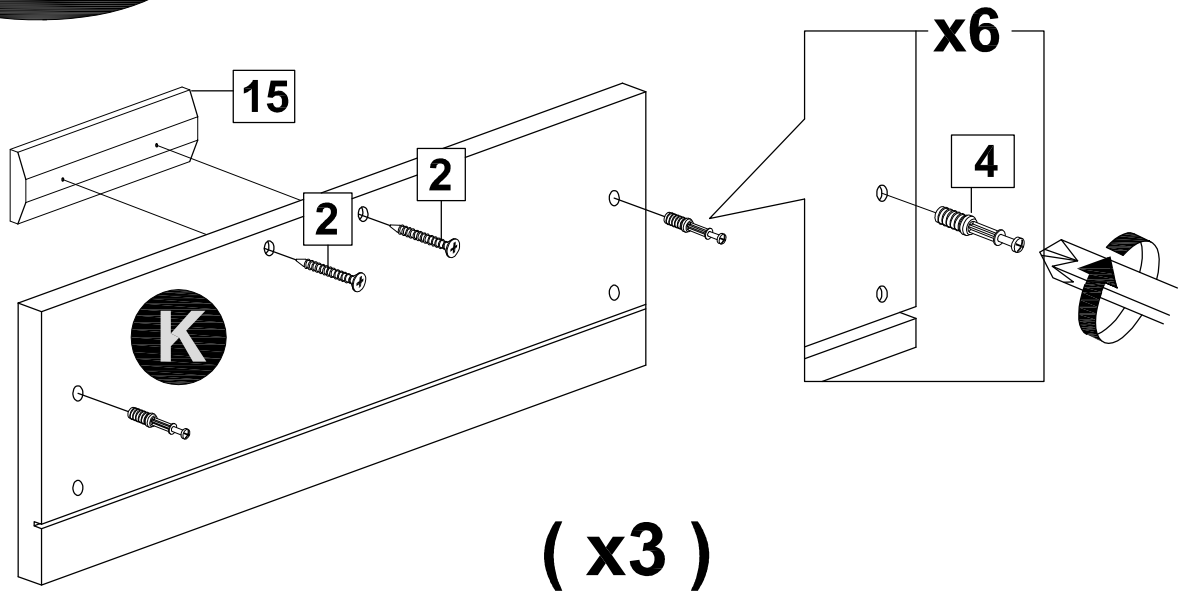
MODEL NAME:
CAMBOURNE
3 DRAWER DISPLAY UNIT

STEP 14

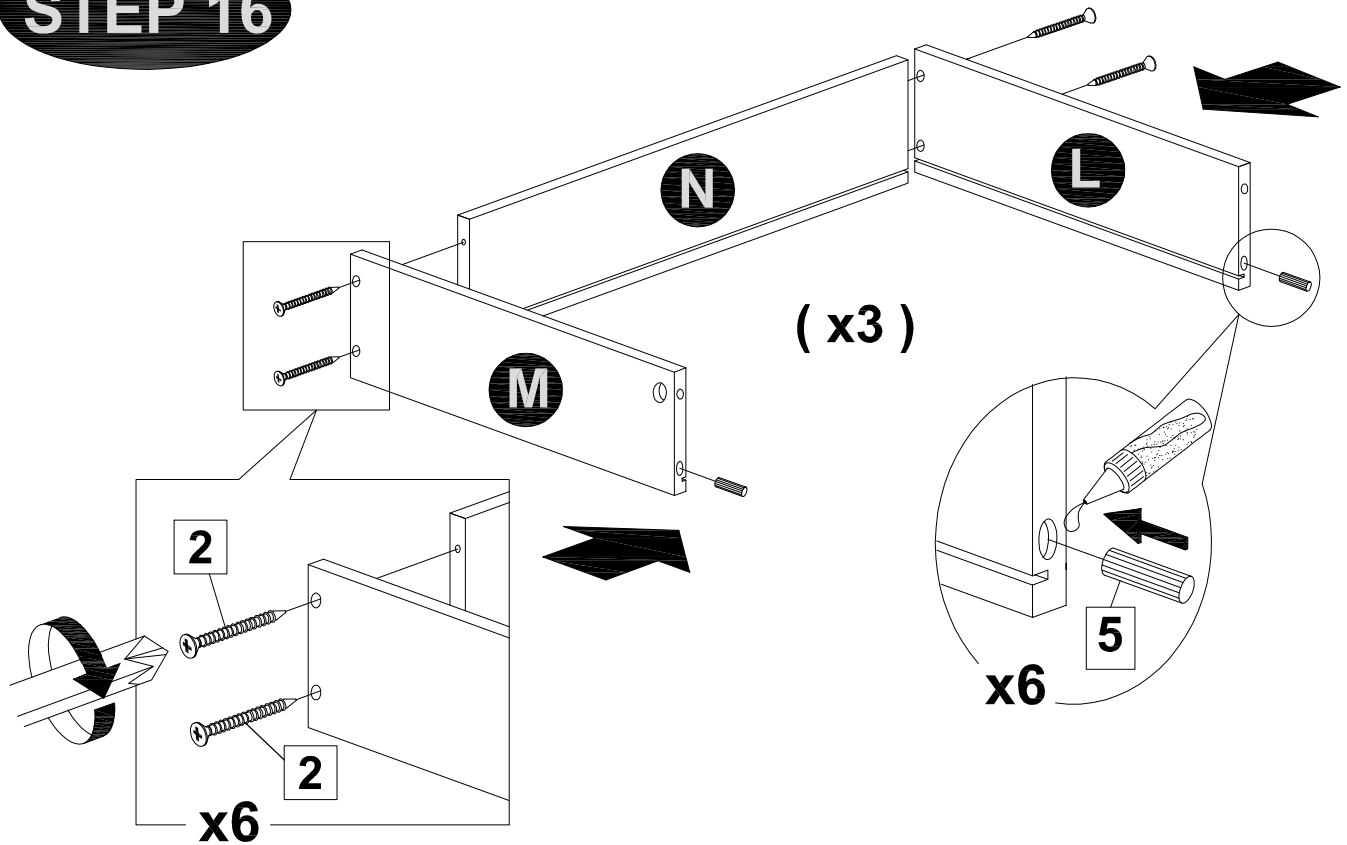


MODEL NAME:
CAMBOURNE
3 DRAWER DISPLAY UNIT

STEP 15

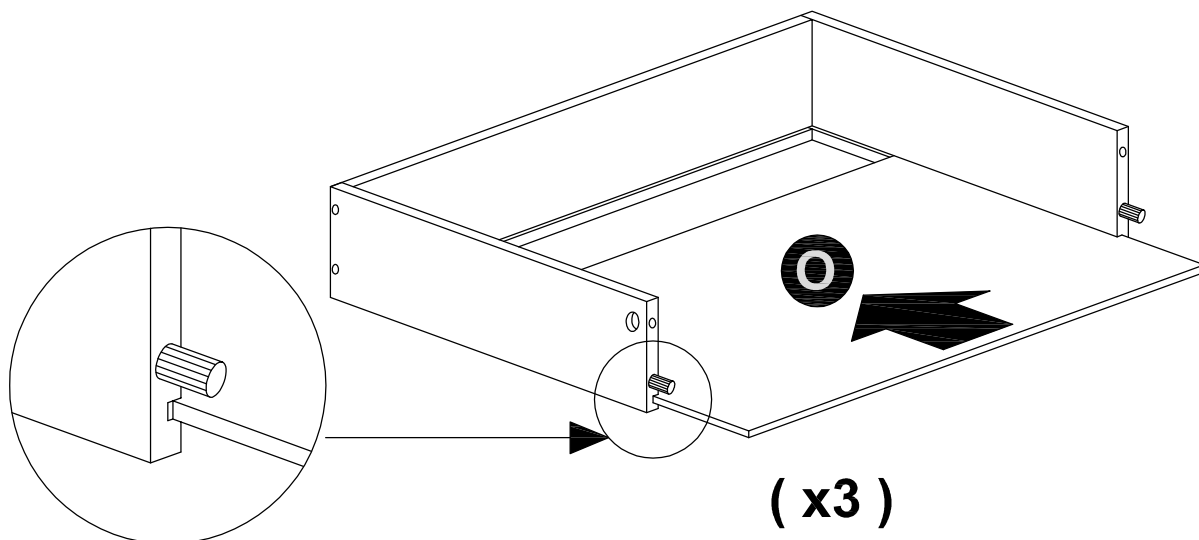


STEP 16

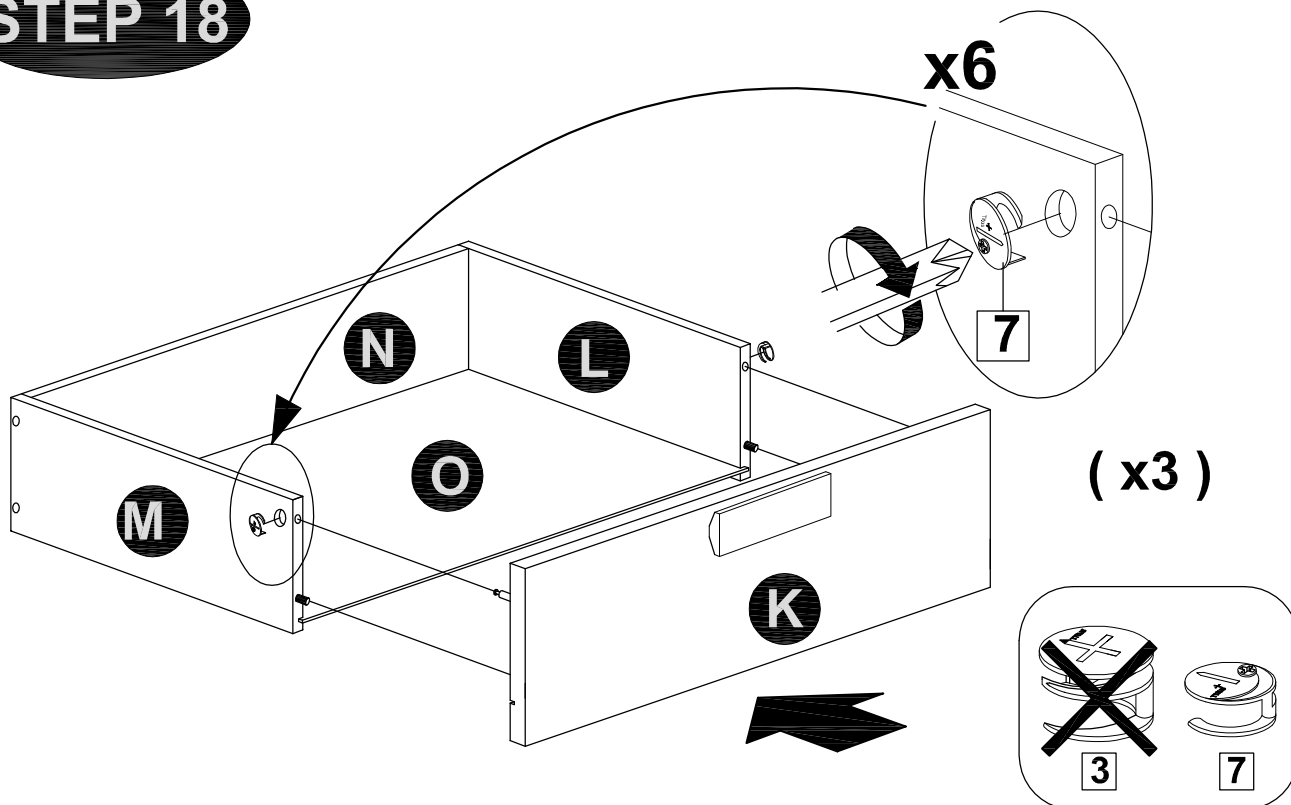


MODEL NAME:
CAMBOURNE
3 DRAWER DISPLAY UNIT

STEP 17

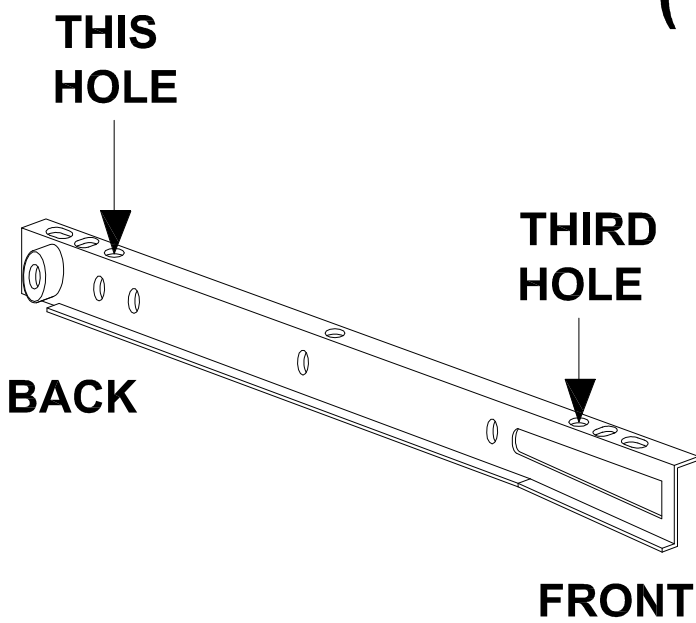
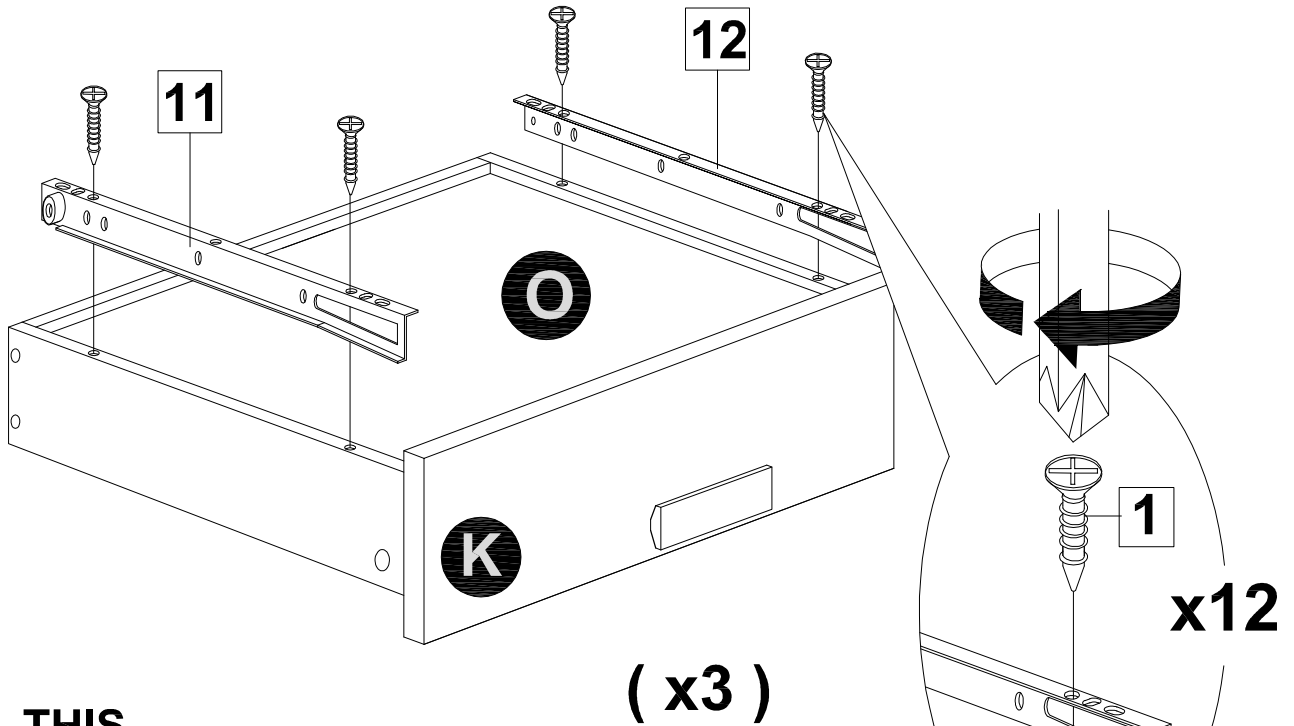


STEP 18



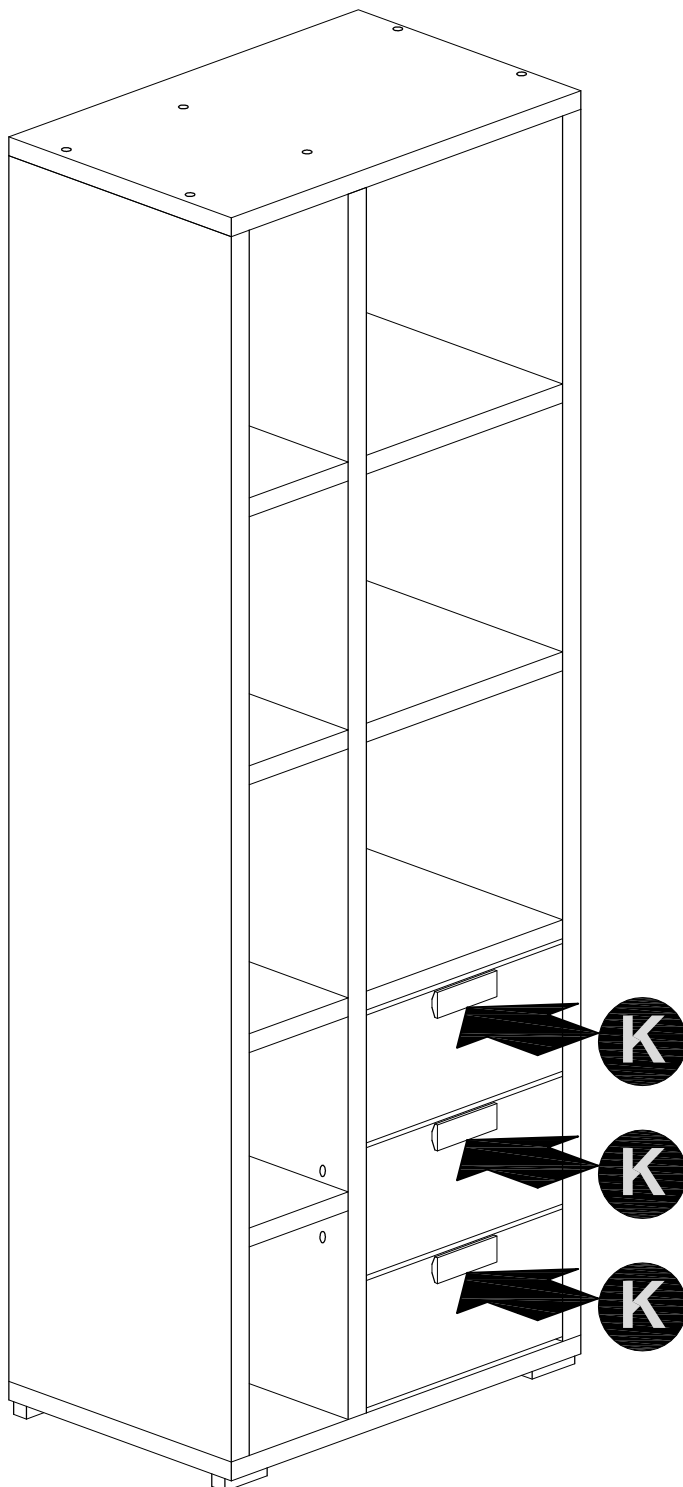
MODEL NAME:
CAMBOURNE
3 DRAWER DISPLAY UNIT

STEP 19



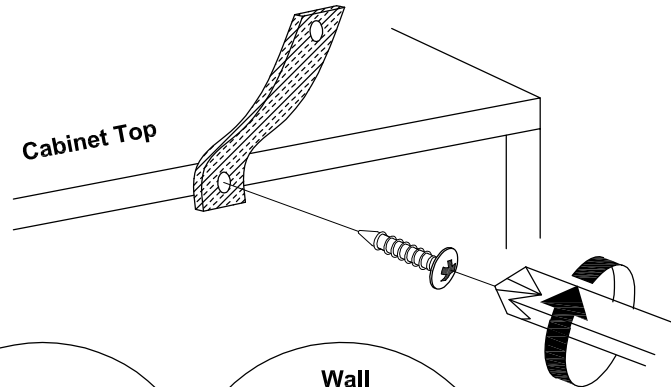
MODEL NAME:
CAMBOURNE
3 DRAWER DISPLAY UNIT

STEP 20

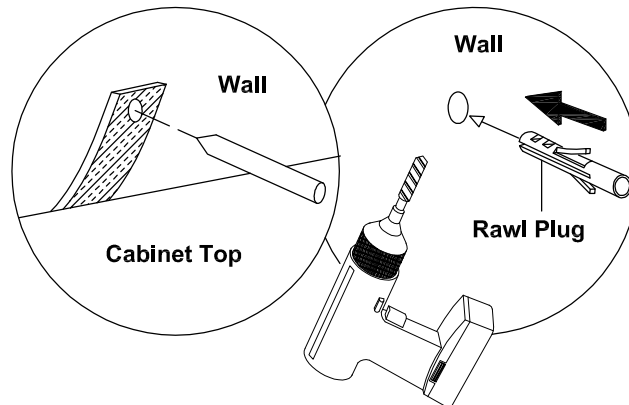


DESCRIPTION:**CAMBOURNE
3 DRAWER DISPLAY UNIT****FITTING OF ANTI-TIP BRACKET****STEP 1 :**

Insert screws through bracket into pre-drilled holes in cabinet.

**STEP 2 :**

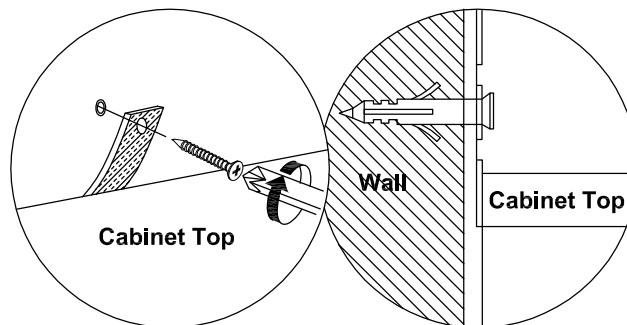
Make a mark on the wall through the bracket.



Drill a hole in the wall and insert the rawl plug.

STEP 3 :

Insert screw through bracket into hole in wall



NOTE : Wall fixings are not supplied with this product as different wall materials require different types of fixing devices (such as Rawl plugs on brick work). You must use fixing devices suitable for the type of wall you intend to mount this product to. Please ensure that the head of any screw used as a diameter greater than the diameter of the mounting hole on the bracket and that the fixing is safe and secure before use.

The screw supplied is to fix the anti-tip strap to the cabinet.

HARDWARE LIST

Anti-Tip Strap - 1pc



M4 x 16MM - 1pc