

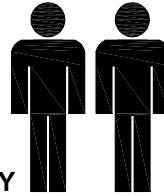
MODEL NAME:

**CAMBOURNE
1 DOOR DISPLAY UNIT**

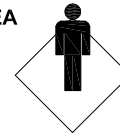
60 min

APPROXIMATE ASSEMBLY TIME

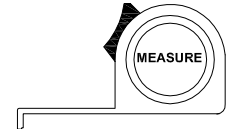
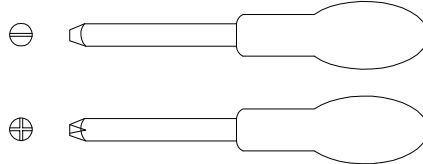
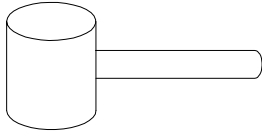
2 PEOPLE FOR ASSEMBLY



**FLOOR AREA
2.0M X 1.0M**

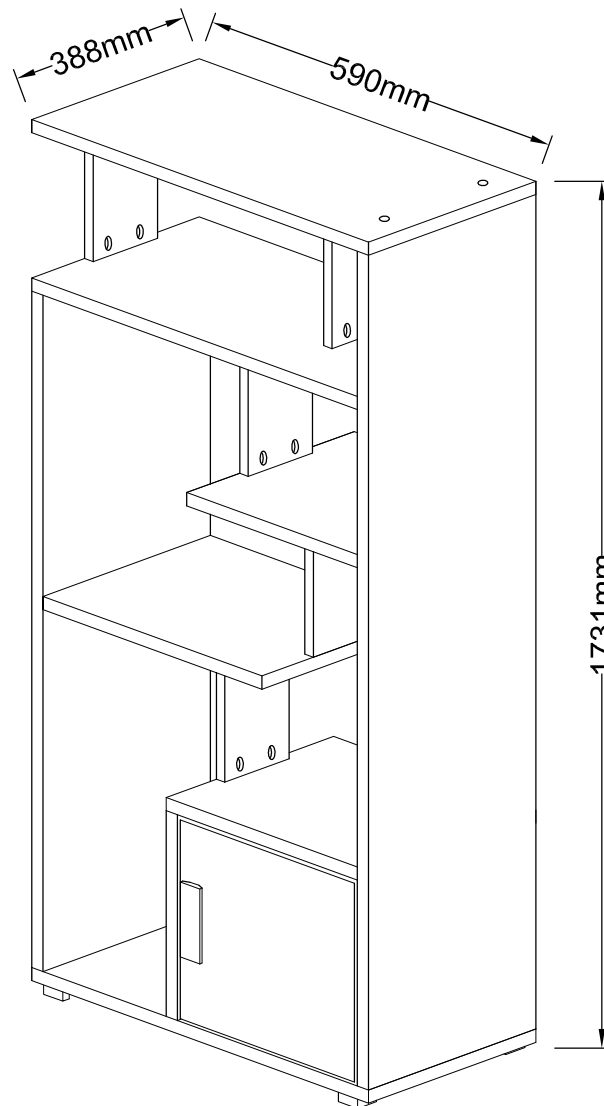


REQUIRED ASSEMBLY SPACE



REQUIRED ASSEMBLY TOOLS

ASSEMBLED DIMENSIONS



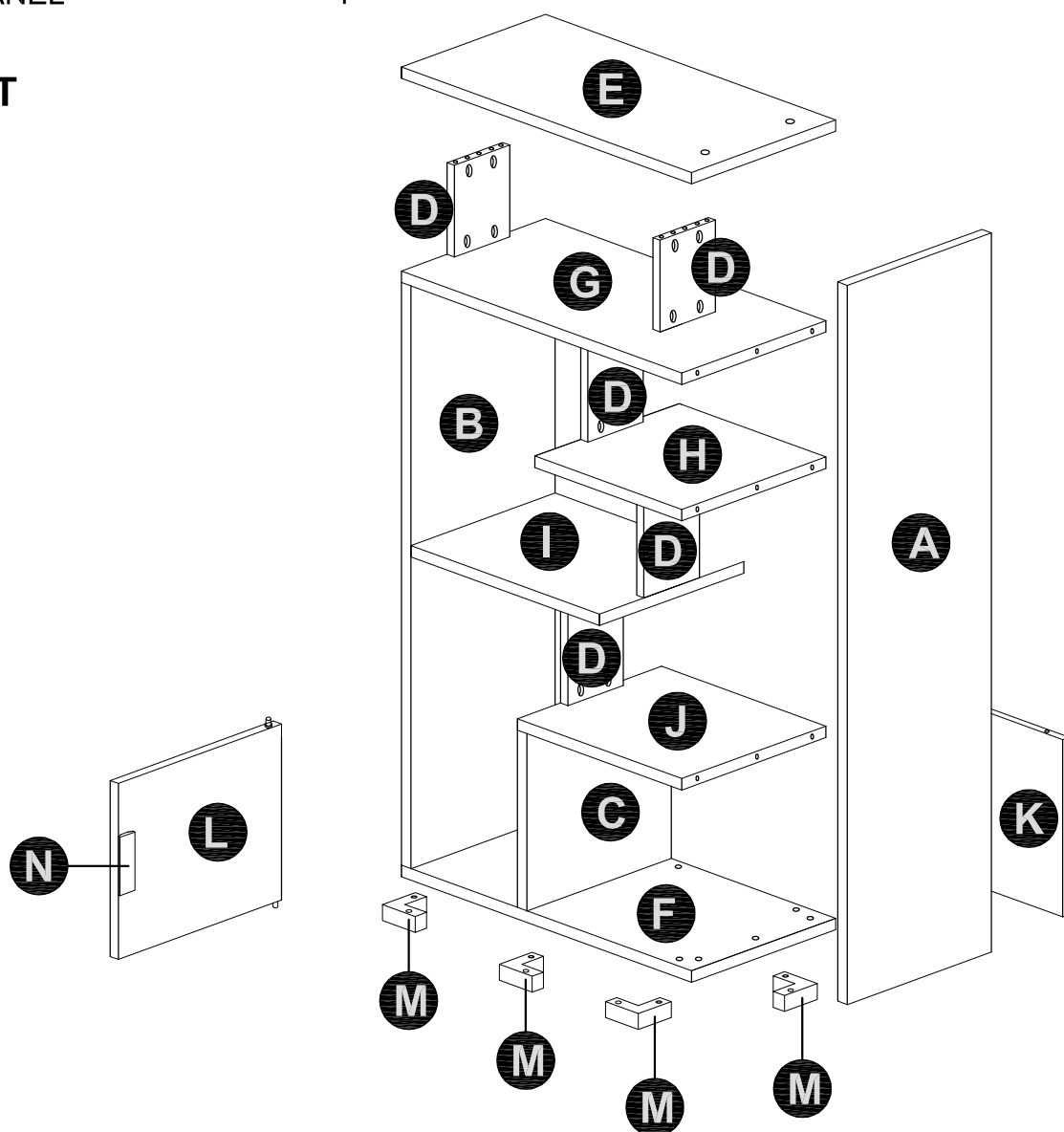
NOTE : THE MAXIMUM WEIGHT THIS PRODUCT CAN HOLD UP TO 25 KGS.

MODEL NAME:

CAMBOURNE 1 DOOR DISPLAY UNIT

NO.	PART LIST	QTY	NO.	PART LIST	QTY
(A)	RIGHT SIDE PANEL	1	(L)	DOOR PANEL	1
(B)	LEFT SIDE PANEL	1	(M)	FEET	5
(C)	LOWER CENTRE PANEL	1	(N)	HANDLE	1
(D)	SUPPORT PANEL	5			
(E)	TOP PANEL	1			
(F)	BOTTOM PANEL	1			
(G)	FIXED PANEL (A)	1			
(H)	FIXED PANEL (B)	1			
(I)	FIXED PANEL (C)	1			
(J)	FIXED PANEL (D)	1			
(K)	BACK PANEL	1			

PARTS LIST

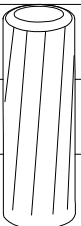

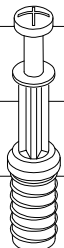

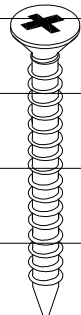


MODEL NAME:

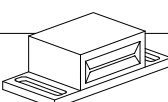
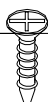
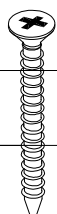
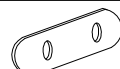
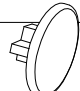
**CAMBOURNE
1 DOOR DISPLAY UNIT**

HARDWARE LIST


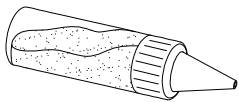
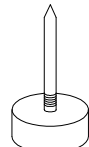


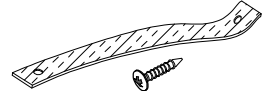
4cm
3cm
2cm
1cm
0cm

				
48X Dia.6 x 30mm 1 WOOD DOWEL	32X Dia.15mm 2 CAMLOCK	32X M6.5 3 CAMBOLT	2X Dia 15mm 4 HOLE PLUG	10X M5 x 40mm 5 FLAT HEAD SCREW

3cm
2cm
1cm
0cm

				
1X M43 x 13mm 6 MAGNET	4X M3.5 x 12mm 7 FLAT HEAD SCREW	2X M3.5 x 25mm 8 FLAT HEAD SCREW	1X M43 x 12mm 9 DOOR PLATE	20X Dia 17mm 10 UNIVERSAL CAP

4cm
3cm
2cm
1cm
0cm

					
2X Dia.10 x 22.5mm 11 DOOR PIVOT PIN	2X 12 GLUE 10CC	5X 13 PLASTIC FOOT	8X 14 M7 x 50mm ALLEN HEAD SCREW	1X M4 15	1X 16 ANTI TIP STRAP

MODEL NAME:**CAMBOURNE
1 DOOR DISPLAY UNIT****Top Tips before you start!**

1. Please check that all parts are present before you start the assembly of your furniture.
2. For ease and speed of assembly, we recommend that before you commence each step of the assembly, that you identify all the parts required for that step.
3. For larger items, please ensure that you have sufficient space and people (as indicated on page 1) to assemble your product safely
4. We recommend that, where possible, all items are assembled near to the area in which they will be placed in use, to avoid moving the product unnecessarily once assembled.
5. For the protection of your furniture, particularly items of high gloss finish, we recommend that the product is placed on a protected surface during assembly to prevent any damage.
6. During assembly please take care not to over-tighten any fittings, as this may damage the product.
7. Always place the product on a flat, steady and stable surface.
8. Do not sit or stand on the product.
Do not use the product as a stepladder.
9. This product is intended for indoor, household use only as it is non industrial product.
10. This product is constructed from re-inforced hollow board. Excessive pressure will cause irreparable damage. Please do not kneel on any part of this product during assembly.

Care and Maintenance of your Furniture

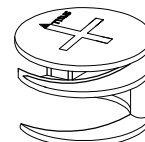
- Please periodically check all fittings and re-tighten as necessary.
- For cleaning, you may use a damp cloth (not wet) do not use polish, detergent or chemical cleaners.
- Never allow any kind of liquid to remain on your furniture.
- Please do not place hot items (e.g. hot drinks) directly on to the wood surface.
- Please do not drag and pull your furniture.

MODEL NAME:

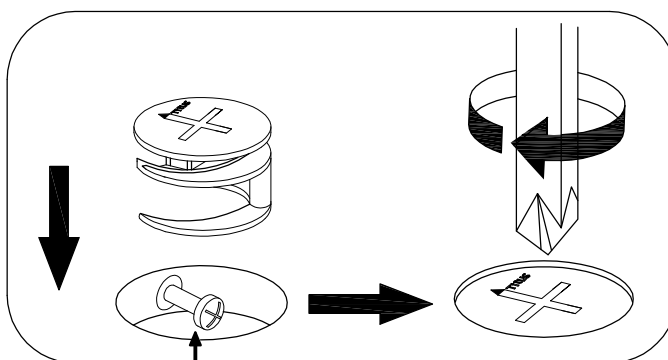
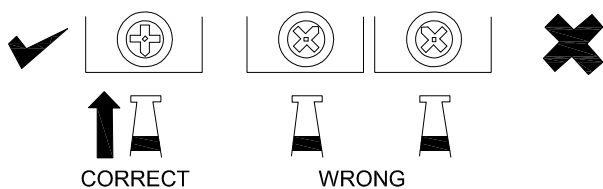
**CAMBOURNE
1 DOOR DISPLAY UNIT**

**SPECIAL TIPS FOR FITTING CAM-LOCKS
AND CAM BOLT**

CAM-LOCK



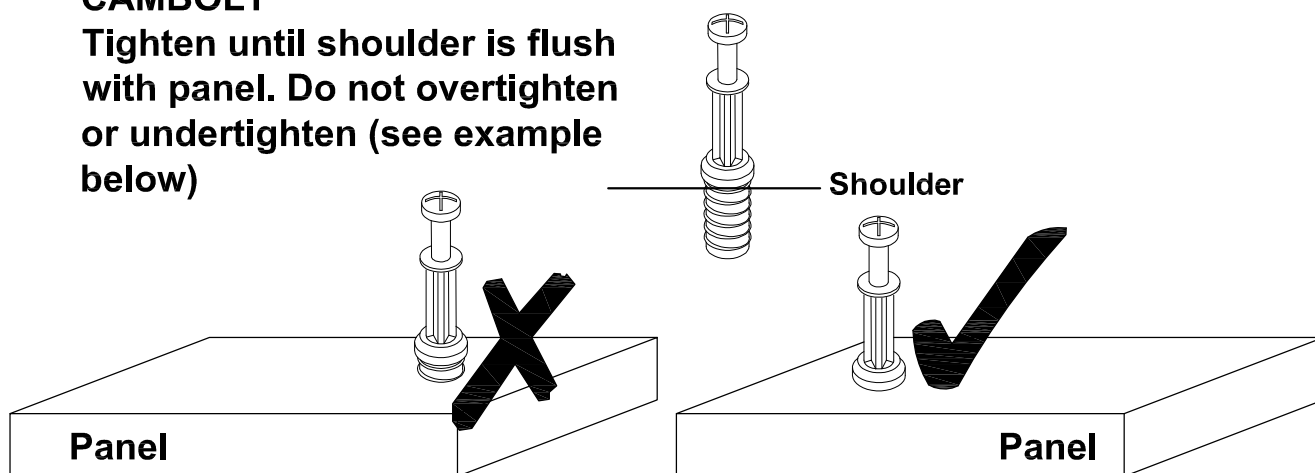
WHEN FITTING CAM-LOCK
ENSURE STARTING POSITION IS CORRECT
BEFORE YOU INSERT CONNECTING CAM BOLT
TURN CLOCKWISE UNTIL SECURE



Cam bolt head needs to be in centre

CAMBOLT

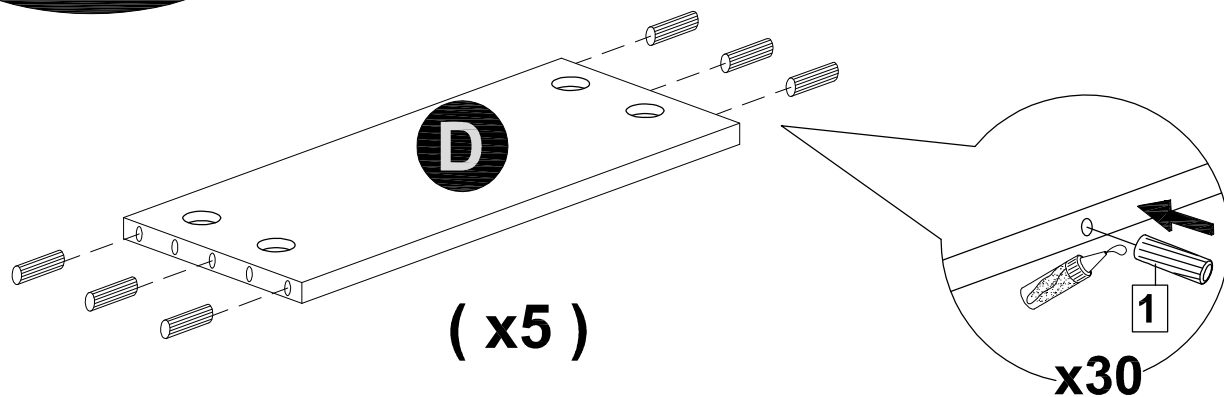
Tighten until shoulder is flush with panel. Do not overtighten or undertighten (see example below)



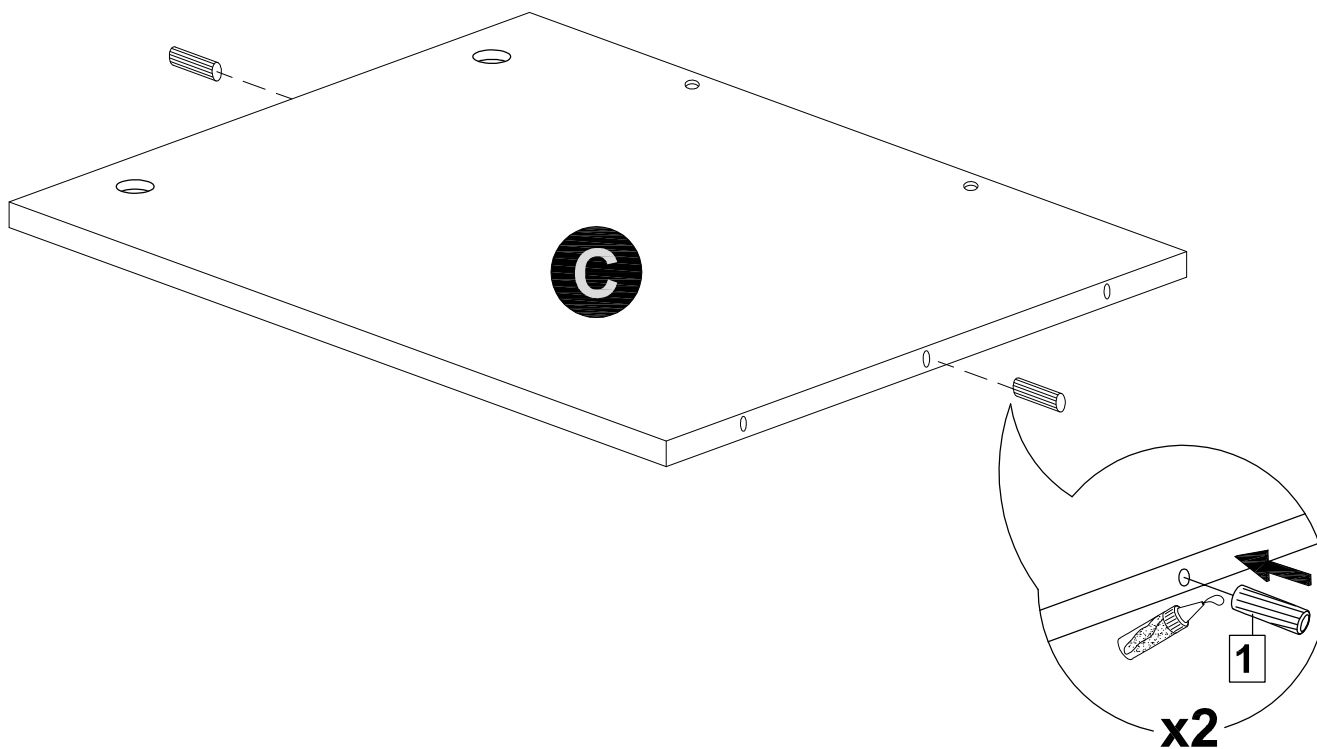
MODEL NAME:

**CAMBOURNE
1 DOOR DISPLAY UNIT**

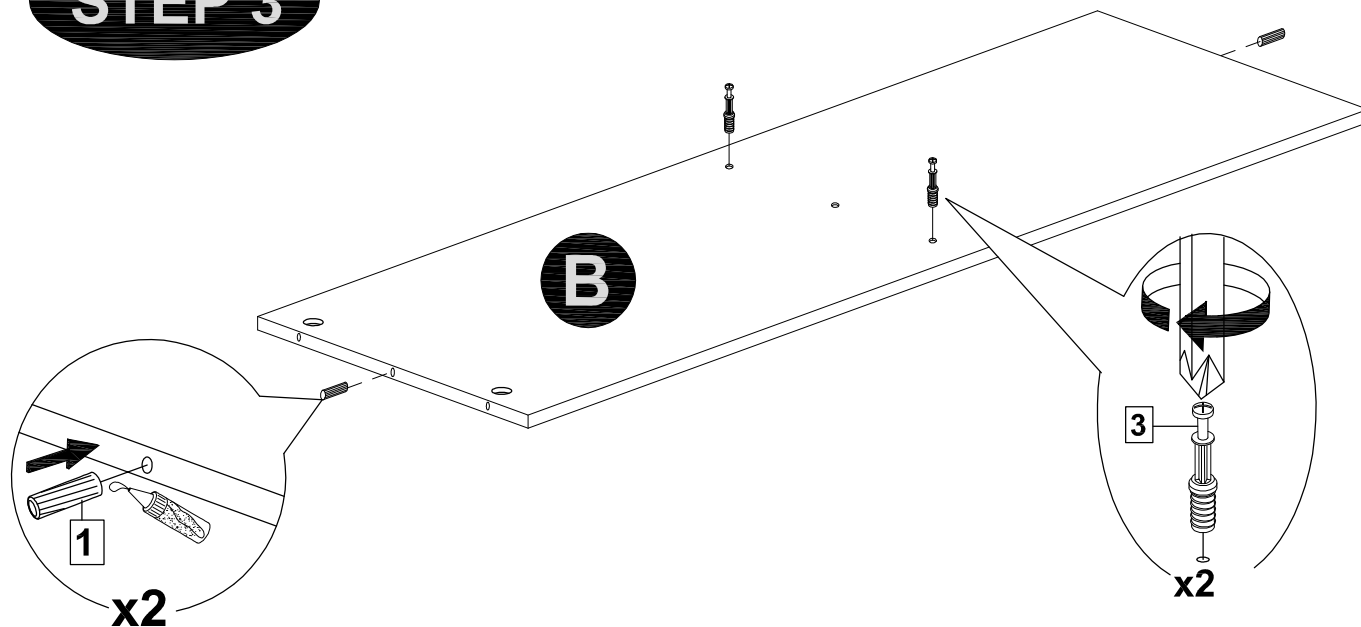
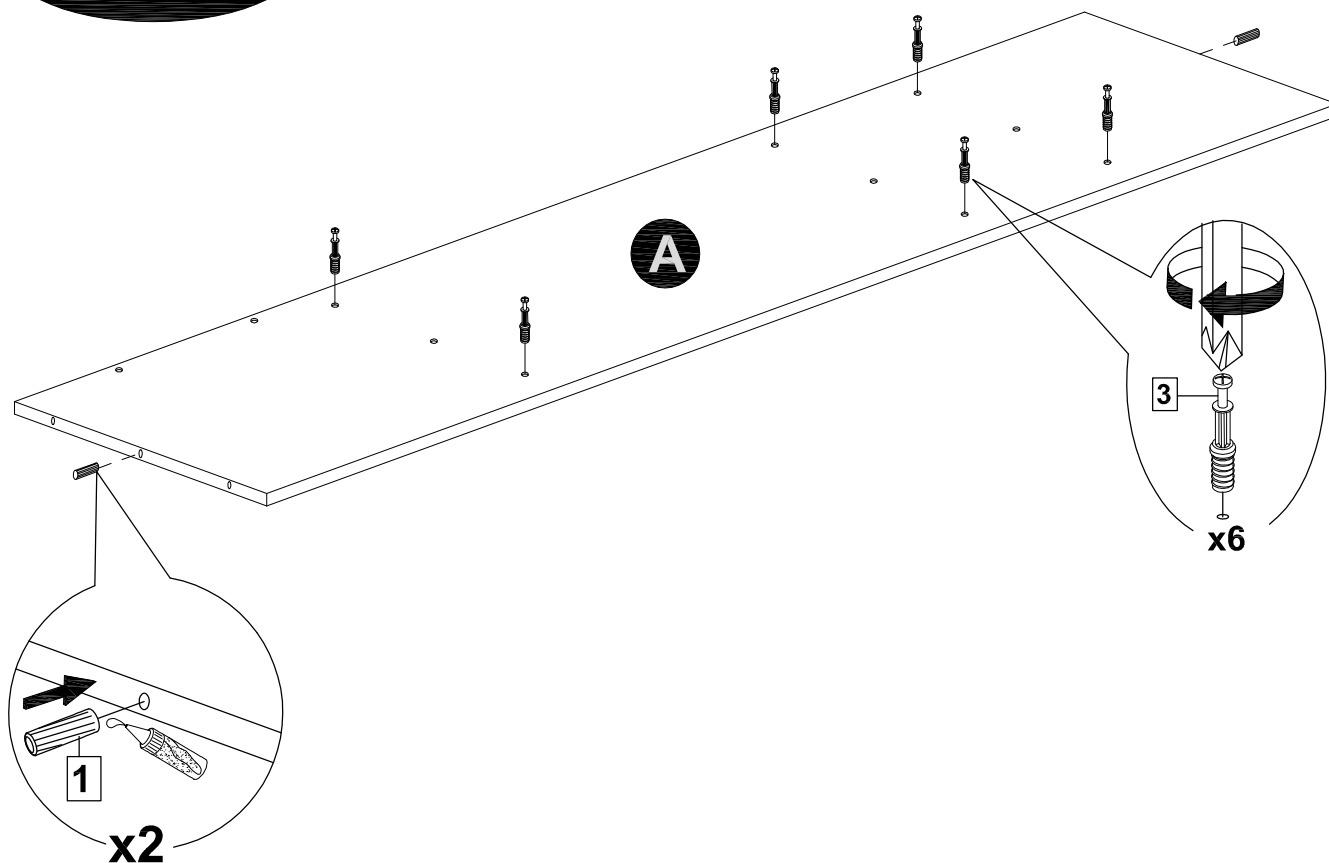
STEP 1



STEP 2

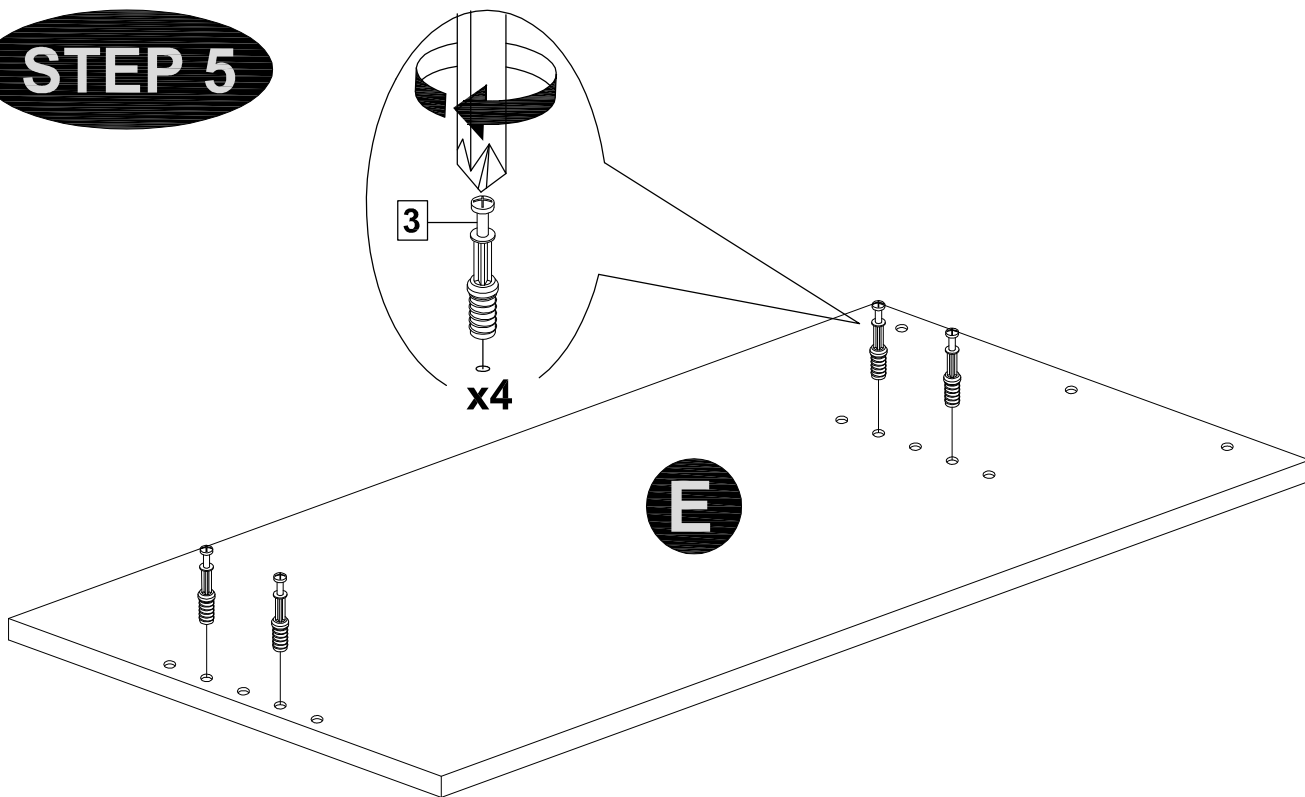


MODEL NAME:

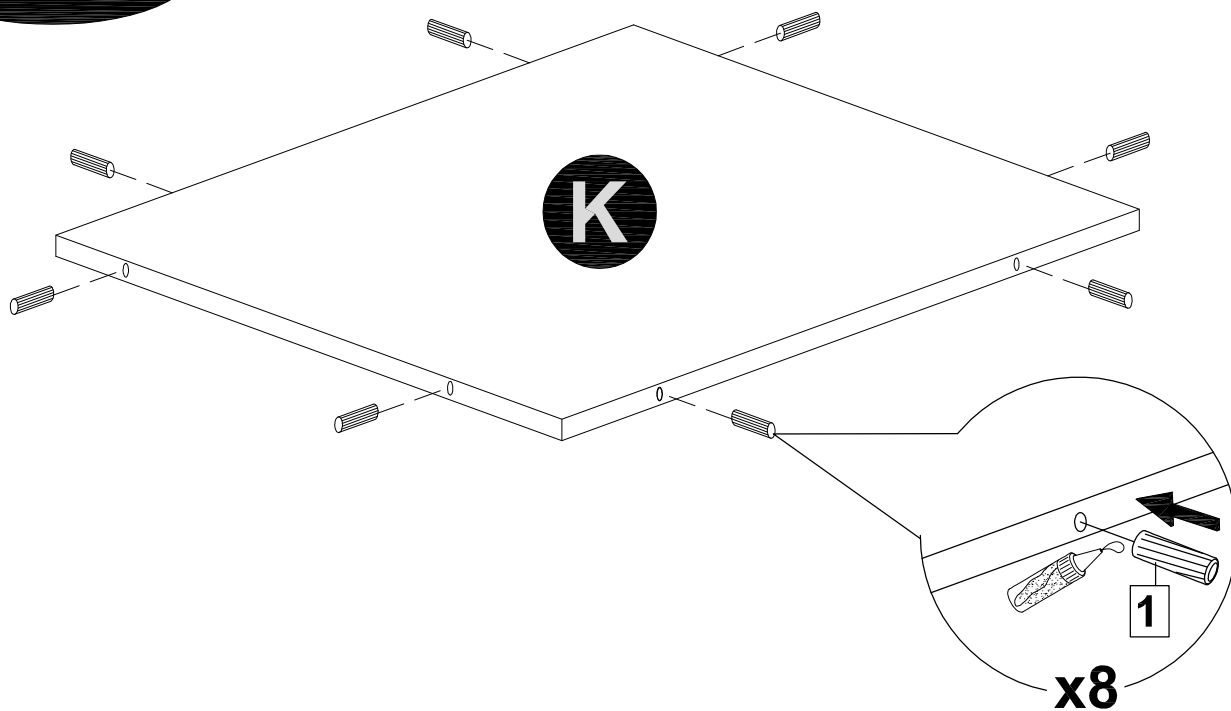
**CAMBOURNE
1 DOOR DISPLAY UNIT****STEP 3****STEP 4**

MODEL NAME:
CAMBOURNE
1 DOOR DISPLAY UNIT

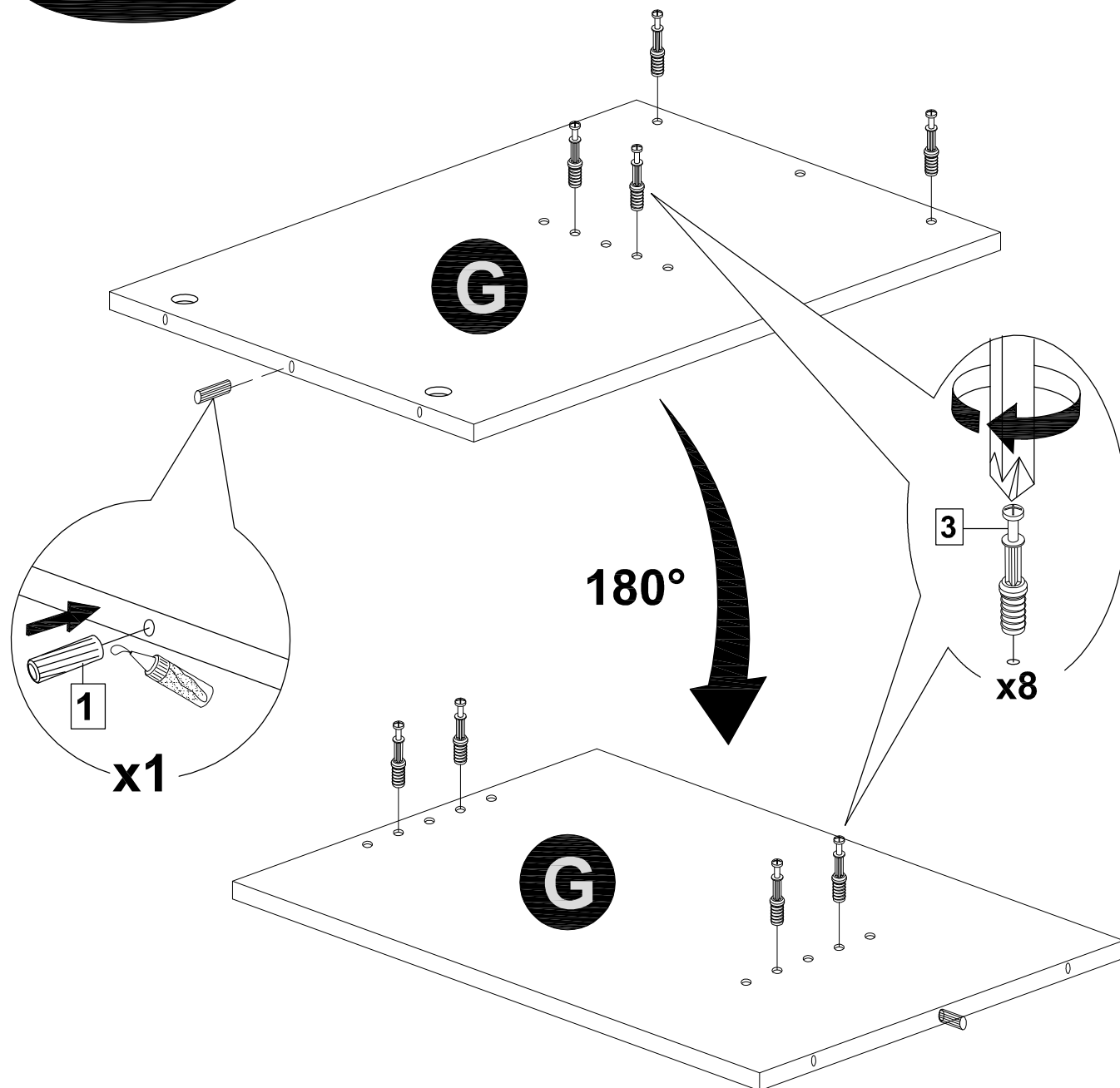
STEP 5



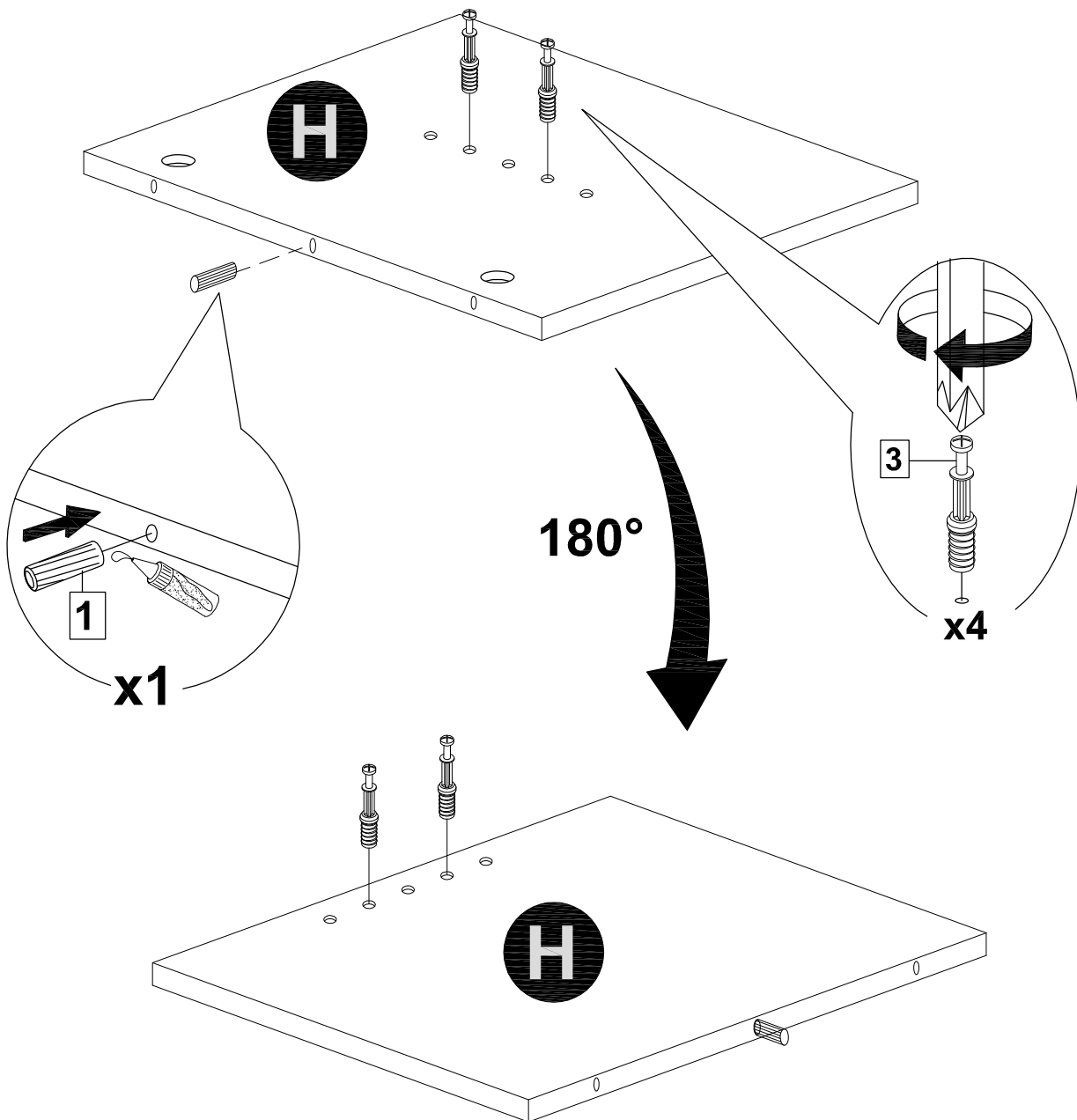
STEP 6



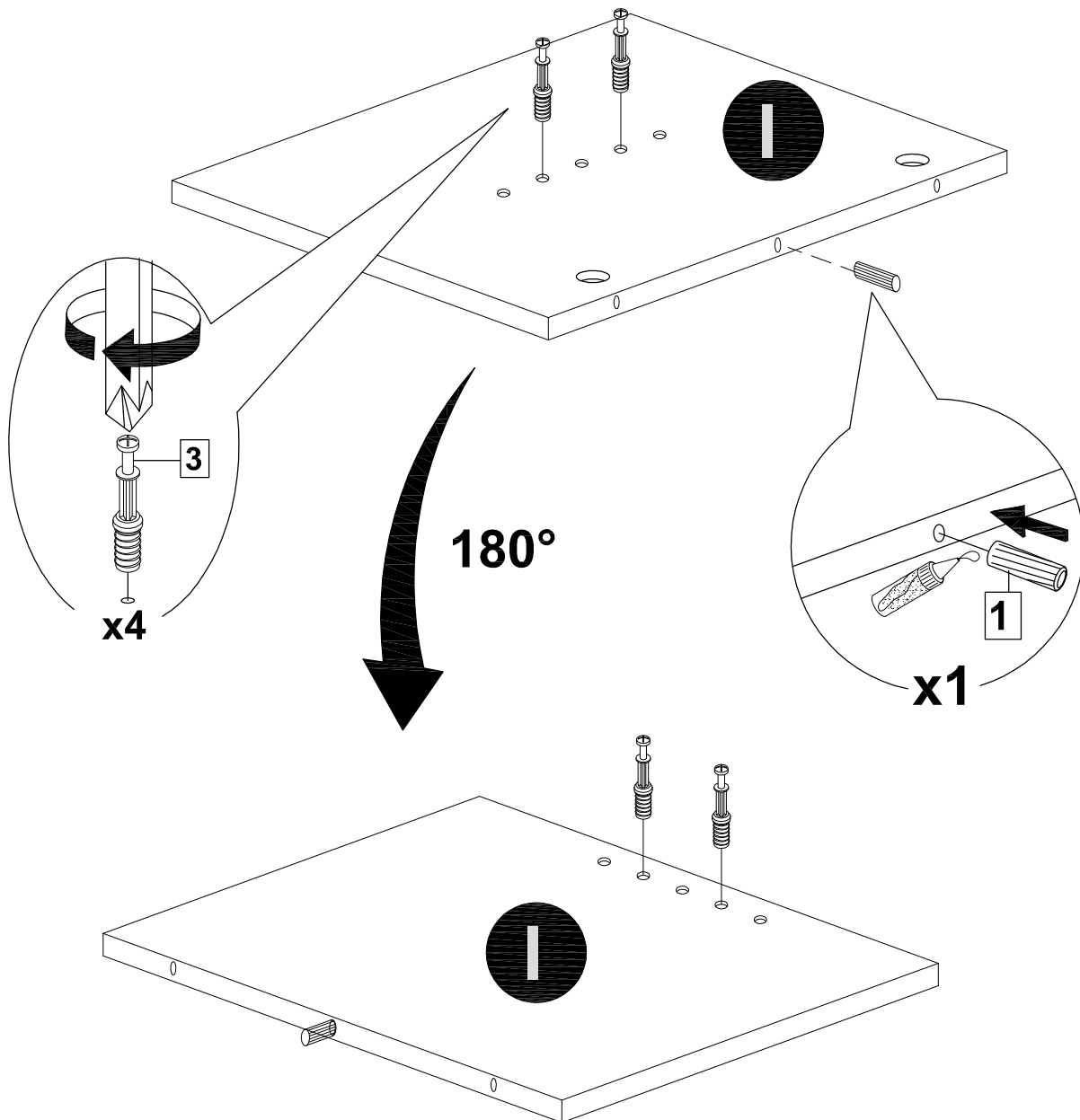
MODEL NAME:

**CAMBOURNE
1 DOOR DISPLAY UNIT****STEP 7**

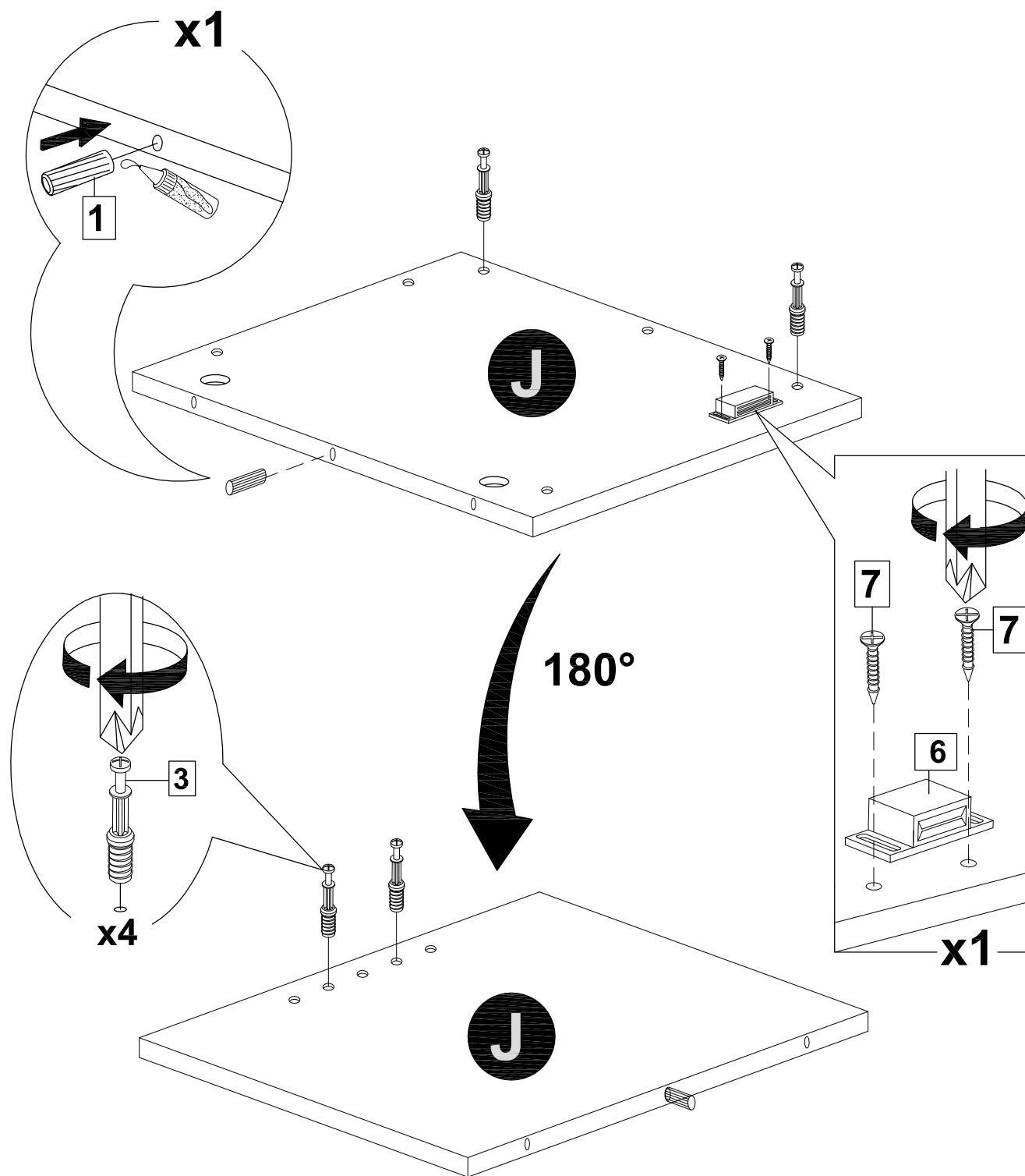
MODEL NAME:

**CAMBOURNE
1 DOOR DISPLAY UNIT****STEP 8**

MODEL NAME:

**CAMBOURNE
1 DOOR DISPLAY UNIT****STEP 9**

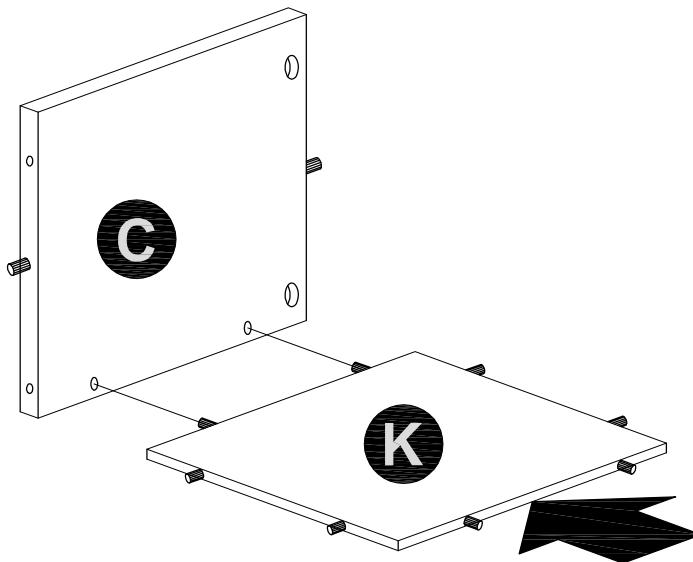
MODEL NAME:

**CAMBOURNE
1 DOOR DISPLAY UNIT****STEP 10**

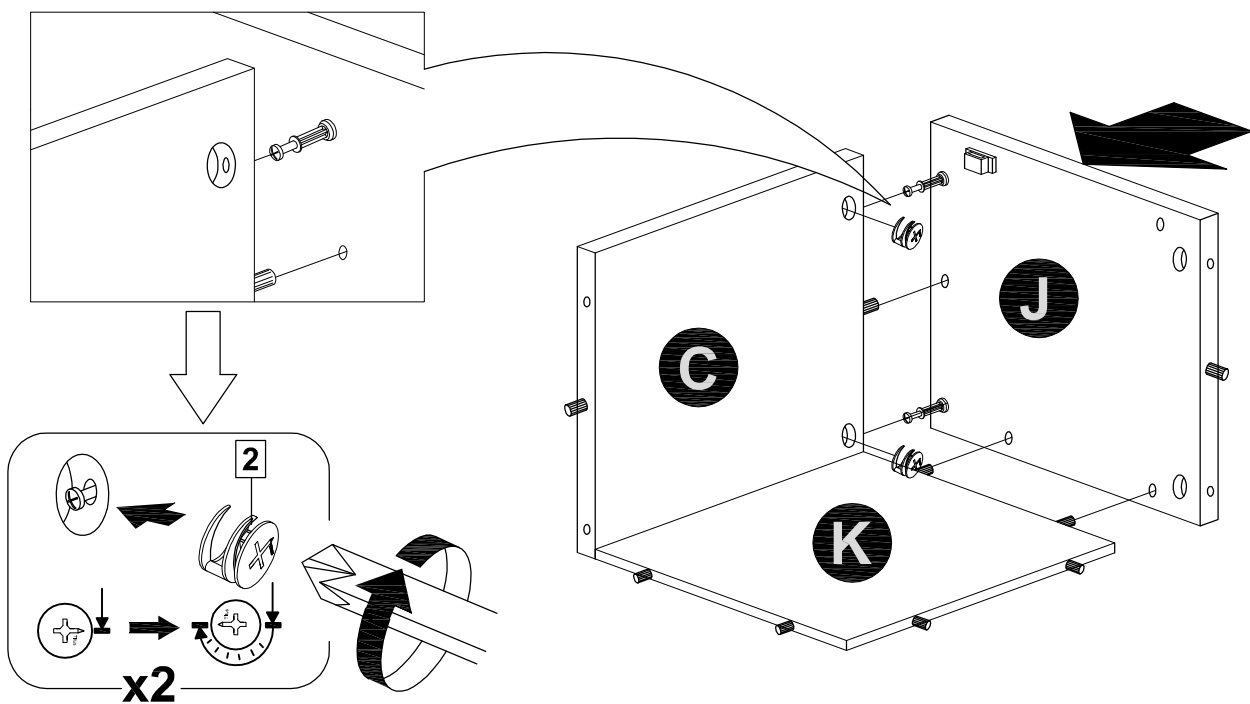
MODEL NAME:

**CAMBOURNE
1 DOOR DISPLAY UNIT**

STEP 11



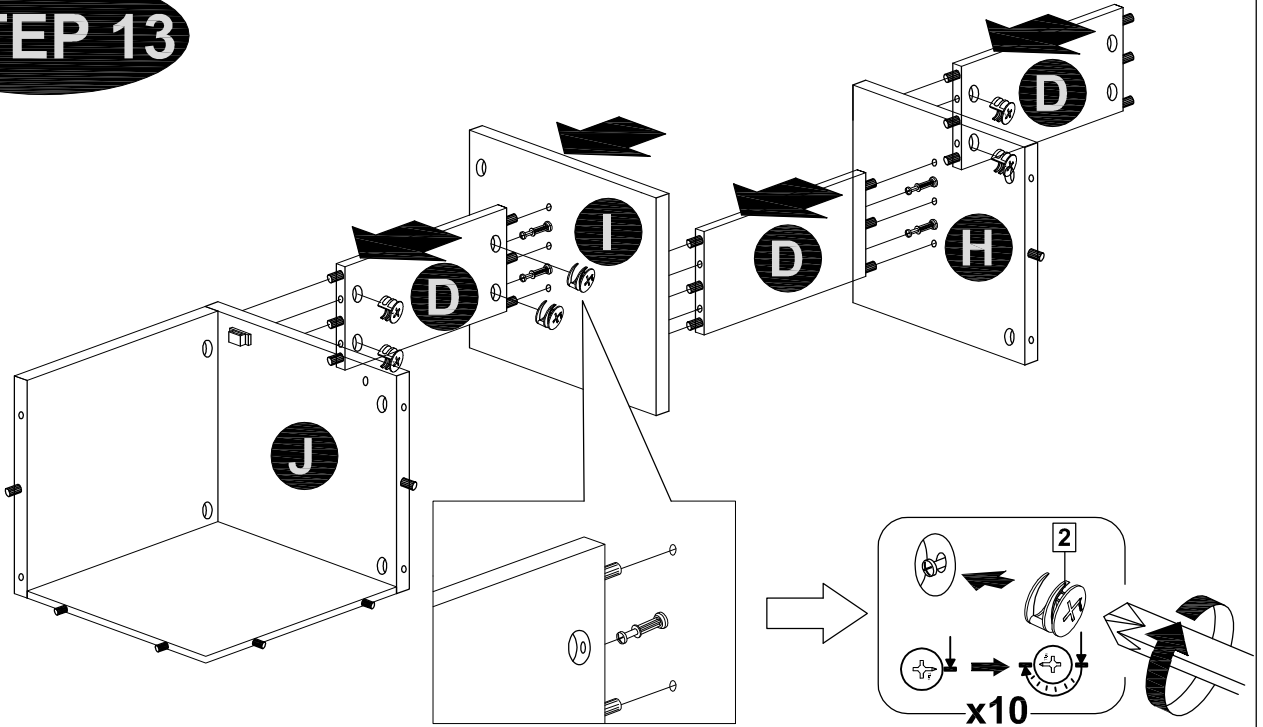
STEP 12



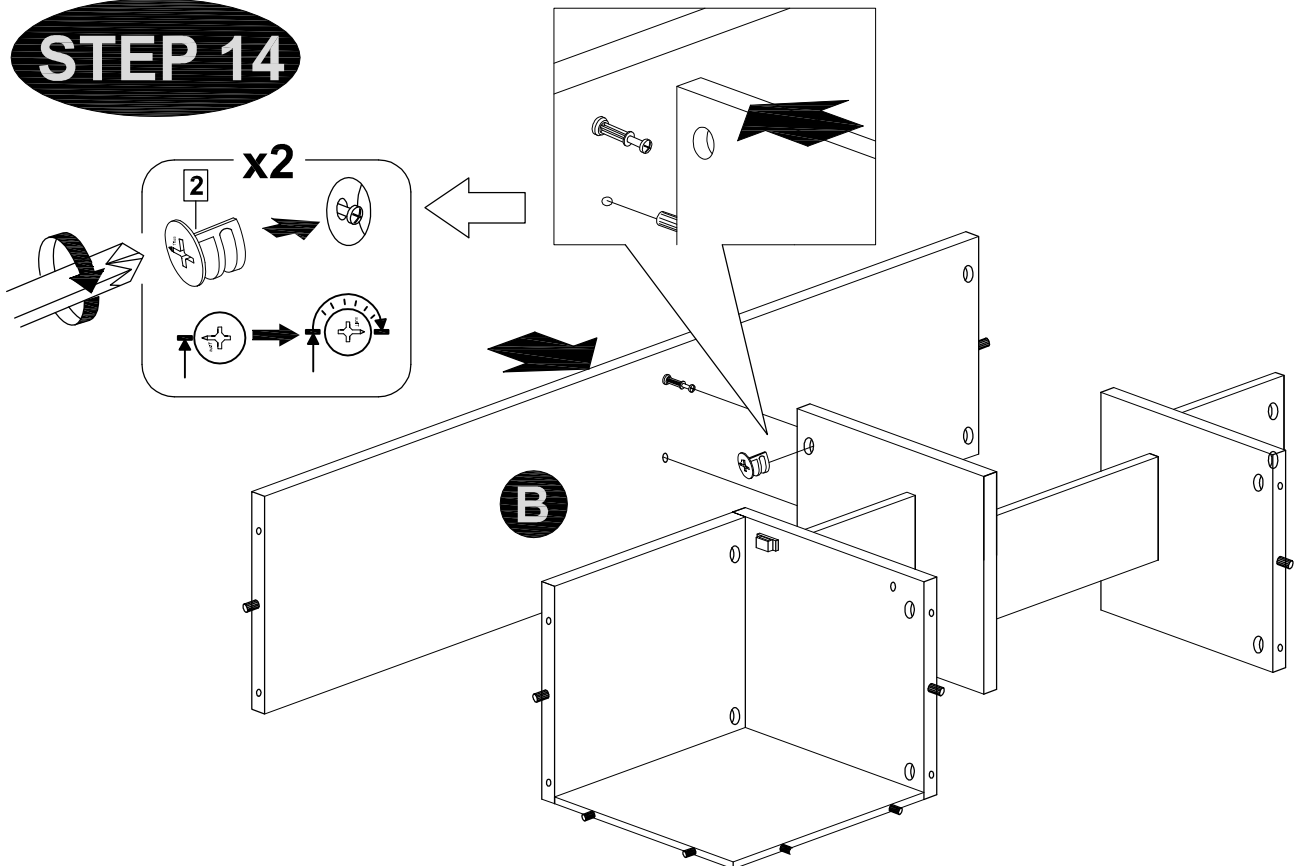
MODEL NAME:

**CAMBOURNE
1 DOOR DISPLAY UNIT**

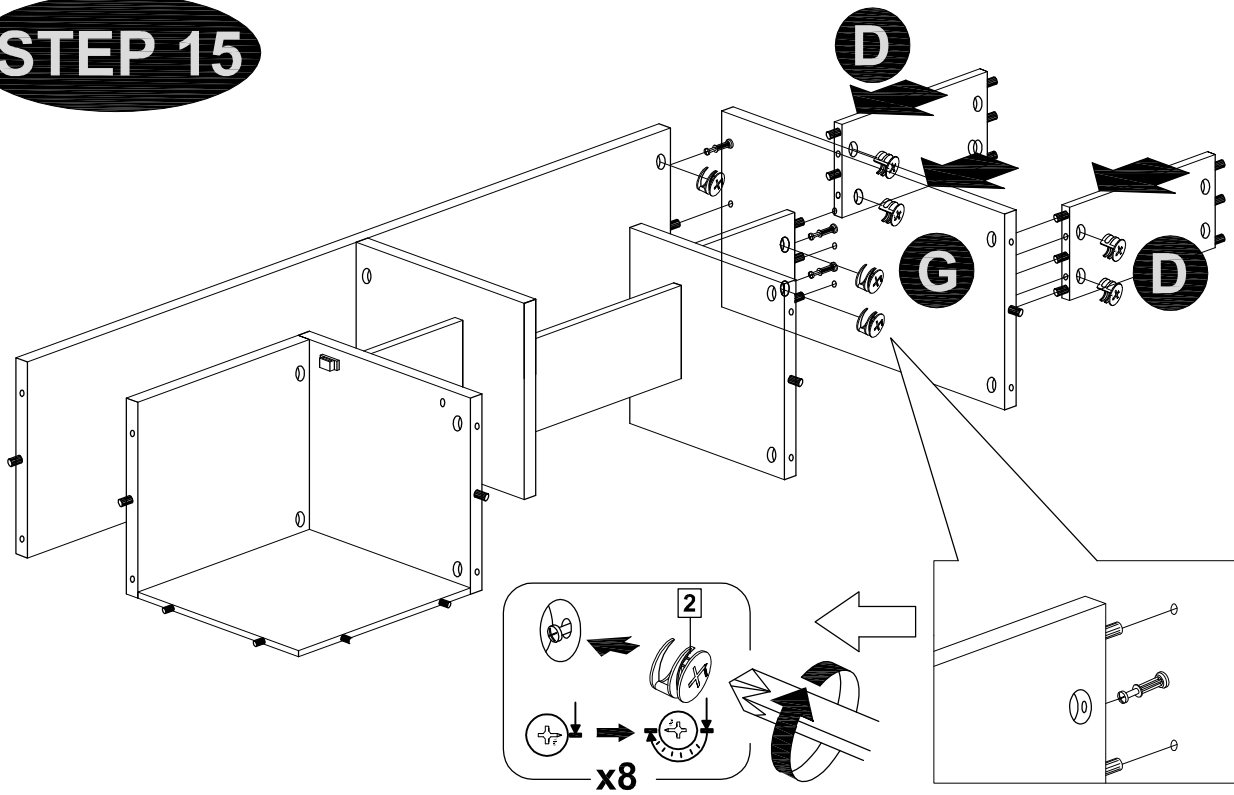
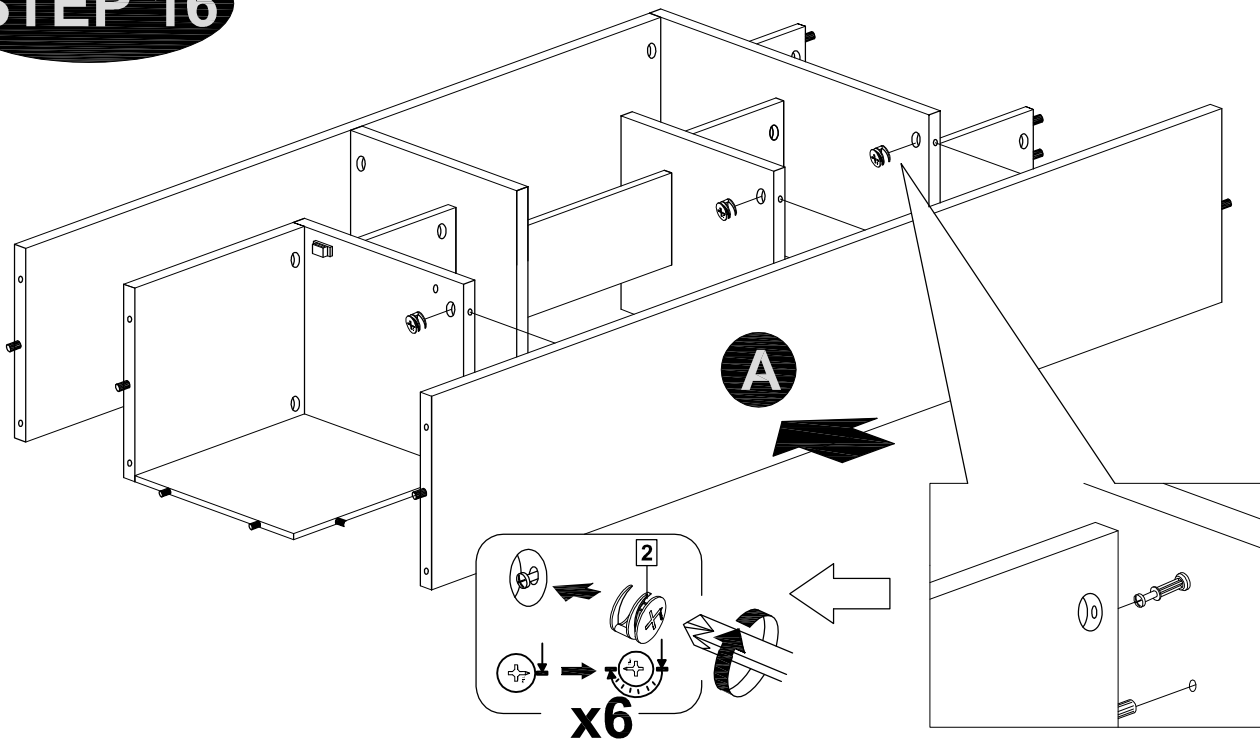
STEP 13



STEP 14



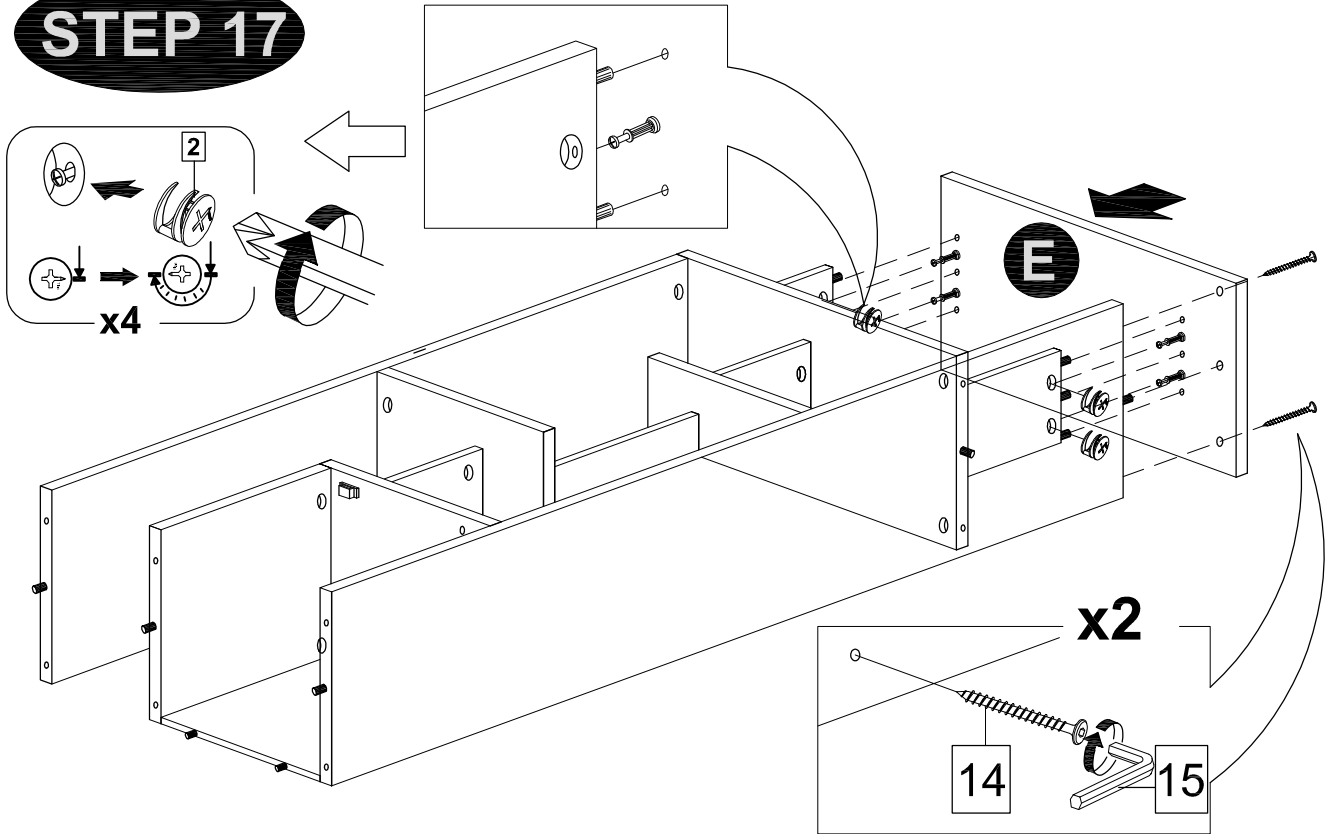
MODEL NAME:

**CAMBOURNE
1 DOOR DISPLAY UNIT****STEP 15****STEP 16**

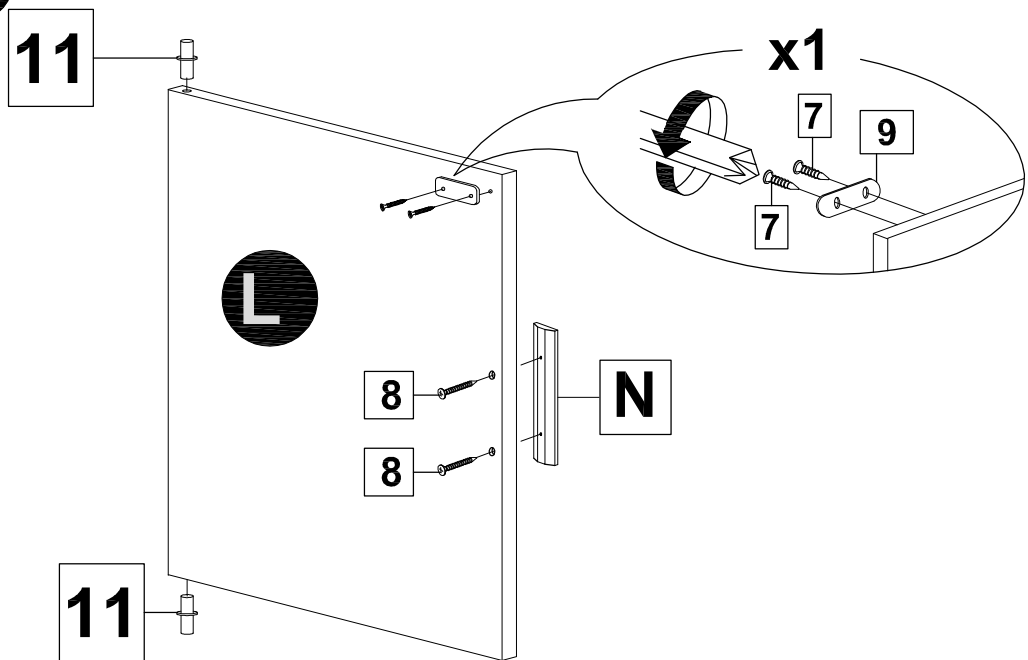
MODEL NAME:

CAMBOURNE 1 DOOR DISPLAY UNIT

STEP 17



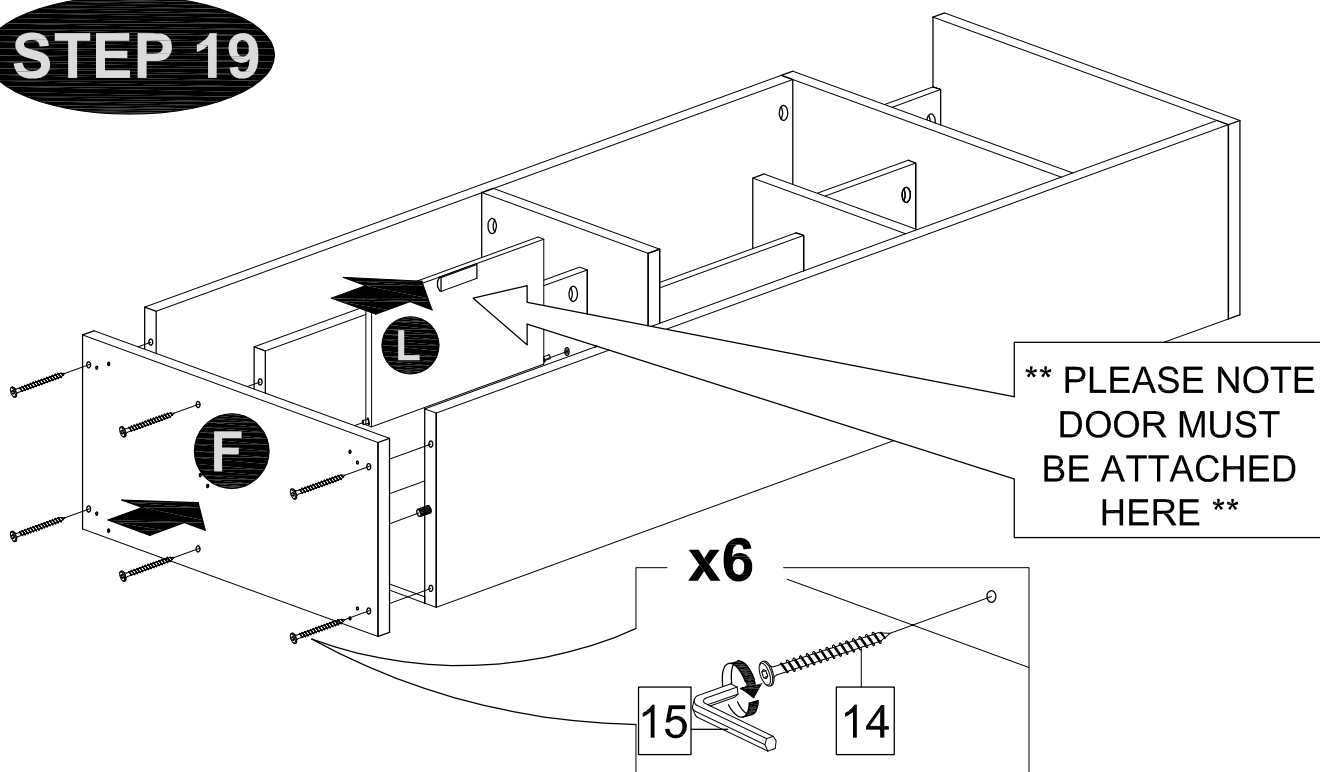
STEP 18



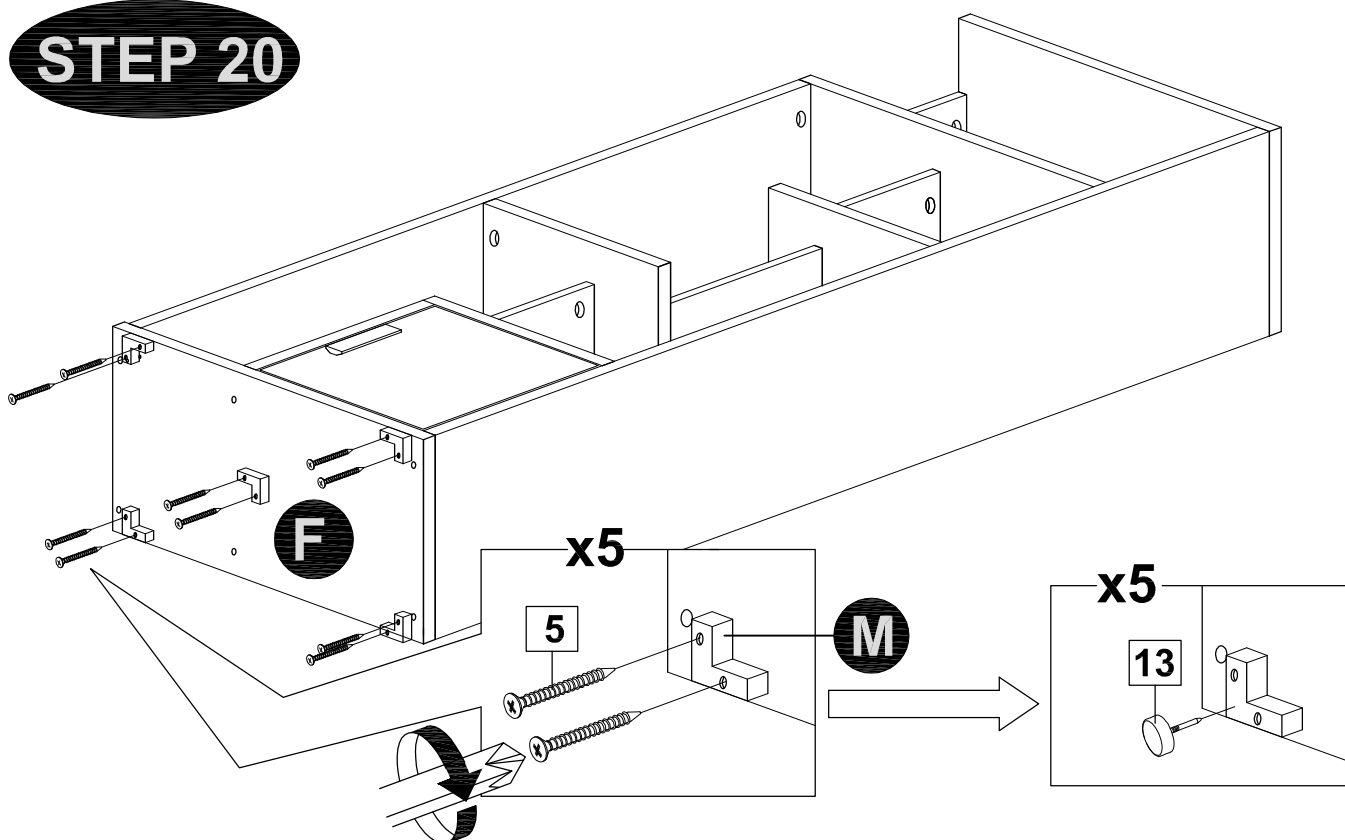
MODEL NAME:

CAMBOURNE 1 DOOR DISPLAY UNIT

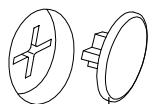
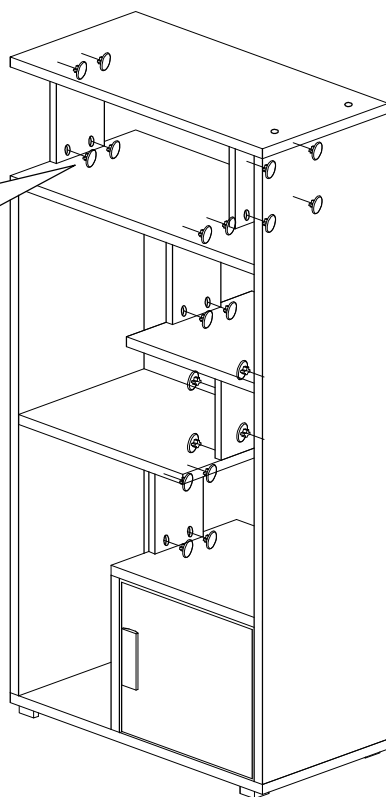
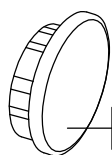
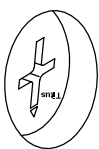
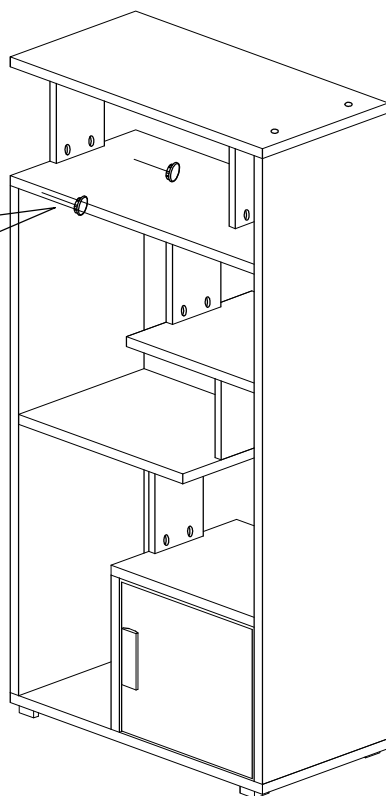
STEP 19



STEP 20



MODEL NAME:

**CAMBOURNE
1 DOOR DISPLAY UNIT****STEP 21****x20****10****STEP 22****x2****4**

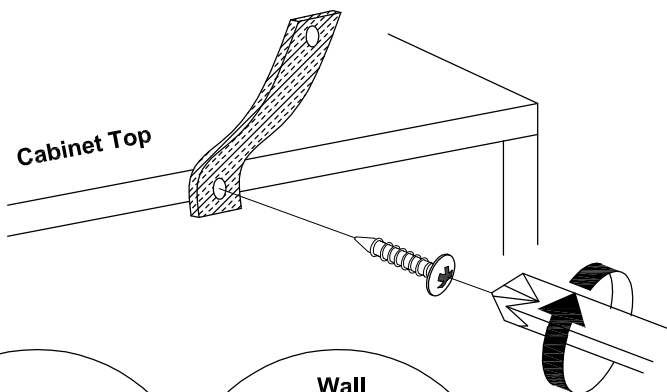
MODEL NAME :

CAMBOURNE 1 DOOR DISPLAY UNIT

FITTING OF ANTI-TIP BRACKET

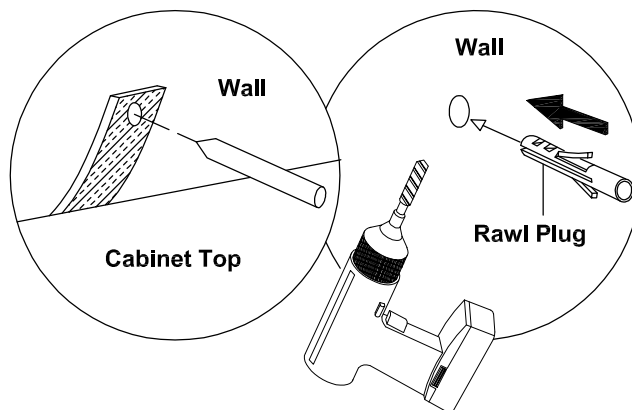
STEP 1 :

Insert screws through bracket into pre-drilled holes in cabinet.



STEP 2 :

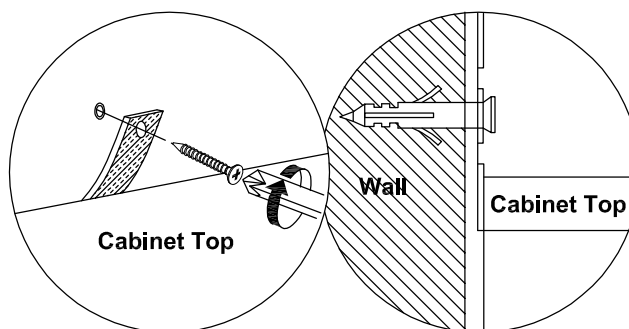
Make a mark on the wall through the bracket.



Drill a hole in the wall and insert the rawl plug.

STEP 3 :

Insert screw through bracket into hole in wall



NOTE : Wall fixings are not supplied with this product as different wall materials require different types of fixing devices (such as Rawl plugs on brick work). You must use fixing devices suitable for the type of wall you intend to mount this product to. Please ensure that the head of any screw used as a diameter greater than the diameter of the mounting hole on the bracket and that the fixing is safe and secure before use.

The screw supplied is to fix the anti-tip strap to the cabinet.

HARDWARE LIST



Anti-Tip Strap - 1pc



M4 x 16MM - 1pc