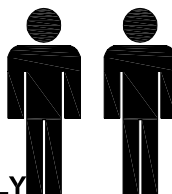


**MODEL NAME:**  
**CAMBOURNE**  
**2 DOOR 2 DRAWER SIDEBOARD**

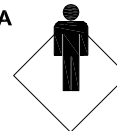
**60min**

APPROXIMATE ASSEMBLY TIME

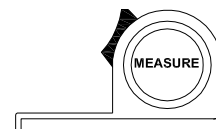
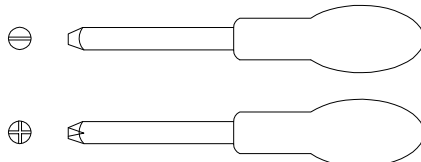
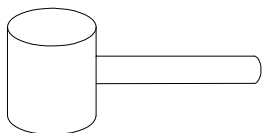
2 PEOPLE FOR ASSEMBLY



FLOOR AREA  
 1.0M X1.0M

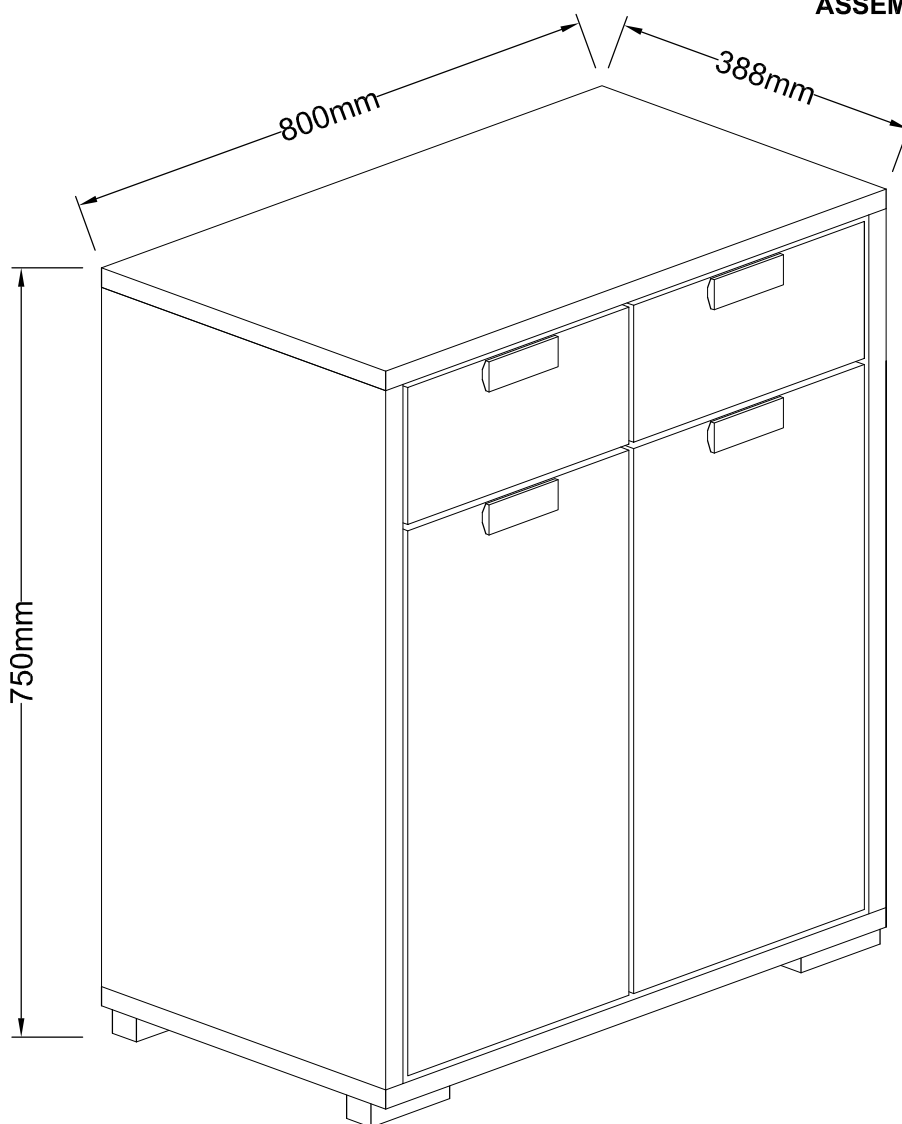


REQUIRED ASSEMBLY SPACE



REQUIRED ASSEMBLY TOOLS

ASSEMBLED DIMENSIONS

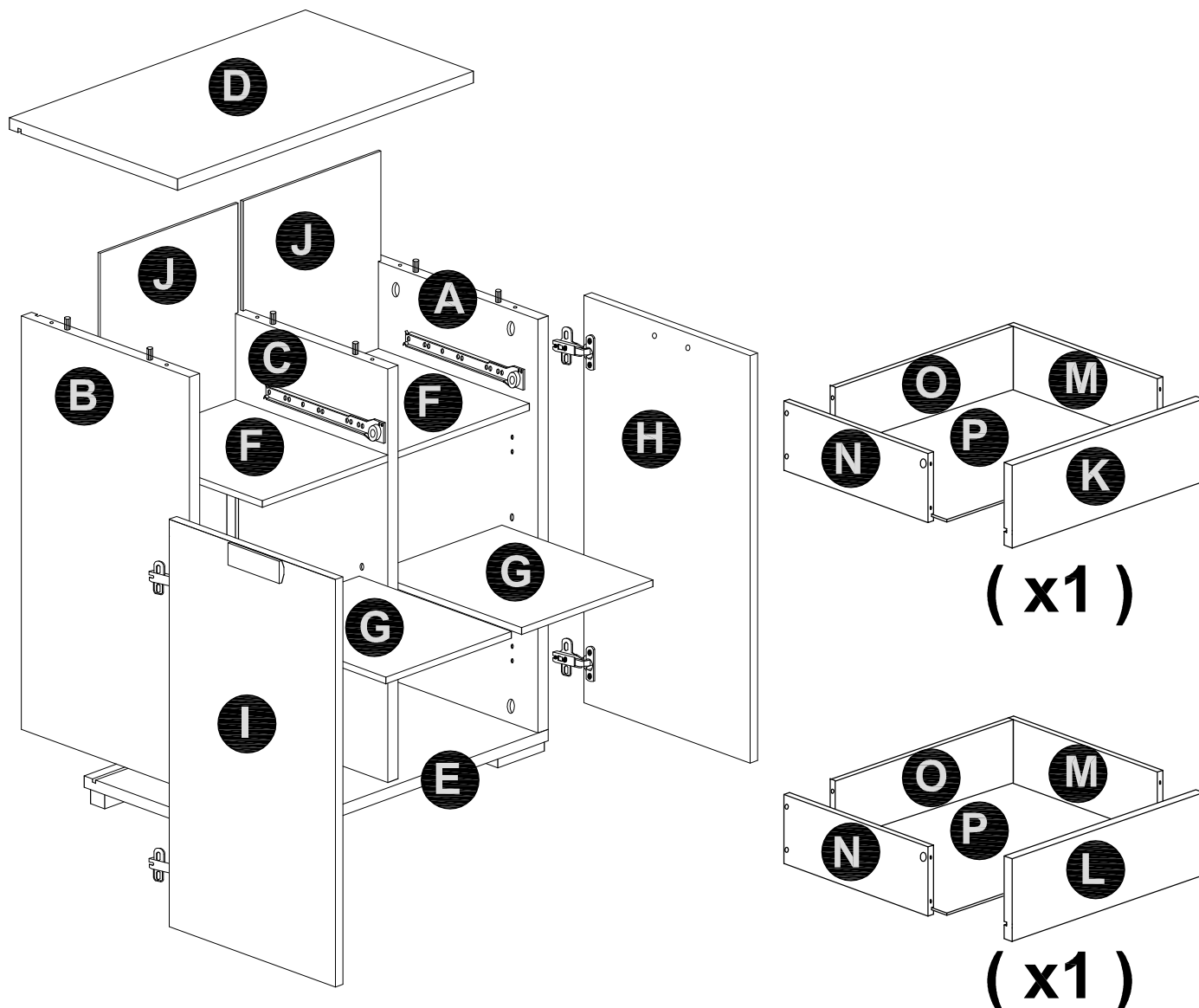


**NOTE : THE MAXIMUM WEIGHT THIS PRODUCT CAN HOLD UP TO IS 25 KGS.**

**MODEL NAME:**  
**CAMBOURNE**  
**2 DOOR 2 DRAWER SIDEBOARD**

NO.	PART LIST	QTY	NO.	PART LIST	QTY
(A)	RIGHT SIDE PANEL	1	(K)	DRAWER FRONT (RIGHT)	1
(B)	LEFT SIDE PANEL	1	(L)	DRAWER FRONT (LEFT)	1
(C)	CENTRE PANEL	1	(M)	DRAWER SIDE (RIGHT)	2
(D)	TOP PANEL	1	(N)	DRAWER SIDE (LEFT)	2
(E)	BOTTOM PANEL	1	(O)	DRAWER BACK PANEL	2
(F)	FIXED SHELF	2	(P)	DRAWER BASE	2
(G)	ADJUSTABLE SHELF	2			
(H)	DOOR PANEL (RIGHT)	1			
(I)	DOOR PANEL (LEFT)	1			
(J)	BACK PANEL	2			

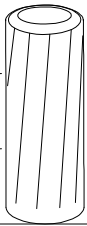
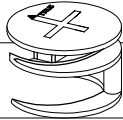
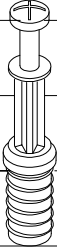
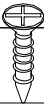
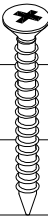
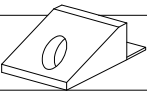
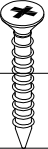

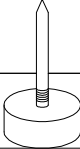

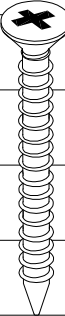
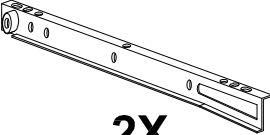
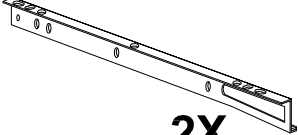
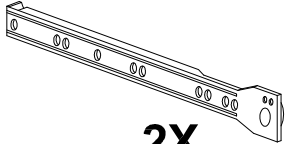
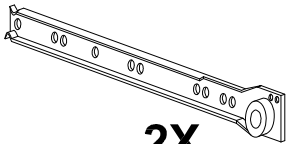
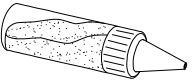
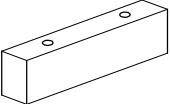
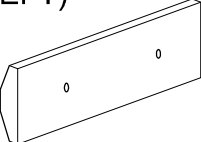
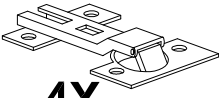
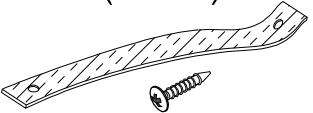
**PARTS LIST**



**MODEL NAME:**  
**CAMBOURNE**  
**2 DOOR 2 DRAWER SIDEBOARD**

**HARDWARE LIST**

A vertical scale on the right side of the hardware list ranges from 0cm to 4cm in 1cm increments. The hardware items are arranged horizontally across the list, with their approximate heights corresponding to the scale markings.

 <b>24X</b> Dia.6 x 30mm <b>1</b> WOOD DOWEL	 <b>18X</b> Dia.15mm <b>2</b> CAM-LOCK	 <b>22X</b> M6.5 <b>3</b> CAM BOLT	 <b>32X</b> M3.5 x 12mm <b>4</b> FLAT HEAD SCREW	 <b>16X</b> M3.5 x 25mm <b>5</b> FLAT HEAD SCREW	
 <b>16X</b> <b>6</b> BACKBOARD FIXING	 <b>16X</b> M3 x 20mm <b>7</b> FLAT HEAD SCREW	 <b>4X</b> Dia.15mm <b>8</b> DRAWER CAM-LOCK	 <b>5X</b> <b>9</b> FOOT	 <b>8X</b> Dia.5 x 16mm <b>10</b> SHELF SUPPORT	 <b>12X</b> M5 x 40mm <b>11</b> FLAT HEAD SCREW
 <b>2X</b> <b>12</b> DRAWER RUNNER (RIGHT)	 <b>2X</b> <b>13</b> DRAWER RUNNER (LEFT)	 <b>2X</b> <b>14</b> DRAWER RUNNER (LEFT)	 <b>2X</b> <b>15</b> DRAWER RUNNER (RIGHT)		
 <b>1X</b> <b>16</b> GLUE 10CC	 <b>5X</b> <b>17</b> LEG	 <b>4X</b> <b>18</b> HANDLE	 <b>4X</b> <b>19</b> ADJUSTABLE HINGE	 <b>2X</b> <b>20</b> ANTI TIP STRAP	

	<b>MODEL NAME:</b> <b>CAMBOURNE</b> <b>2 DOOR 2 DRAWER SIDEBOARD</b>
--	--

**Top Tips before you start!**

1. Please check that all parts are present before you start the assembly of your furniture.
2. For ease and speed of assembly, we recommend that before you commence each step of the assembly, that you identify all the parts required for that step.
3. For larger items, please ensure that you have sufficient space and people ( as indicated on page 1 ) to assemble your product safely
4. We recommend that, where possible, all items are assembled near to the area in which they will be placed in use, to avoid moving the product unnecessarily once assembled.
5. For the protection of your furniture, particularly items of high gloss finish, we recommend that the product is placed on a protected surface during assembly to prevent any damage.
6. During assembly please take care not to over-tighten any fittings, as this may damage the product.
7. Always place the product on a flat, steady and stable surface.
8. Do not sit or stand on the product.  
Do not use the product as a stepladder.
9. This product is intended for indoor, household use only as it is non industrial product.
10. This product is constructed from re-inforced hollow board. Excessive pressure cause irreparable damage. Please do not kneel on any part of this product during assembly.

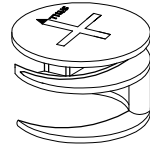
**Care and Maintenance of your Furniture**

- Please periodically check all fittings and re-tighten as necessary.
- To clean your item, please use a damp cloth and wipe clean.
- Never allow any kind of liquid to remain on your furniture.
- Please do not place hot items (e.g. hot drinks ) directly on to the wood surface.
- Please do not drag and pull your furniture.

**MODEL NAME:**  
**CAMBOURNE**  
**2 DOOR 2 DRAWER SIDEBOARD**

# SPECIAL TIPS FOR FITTING CAM-LOCKS AND CAM BOLT

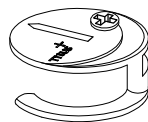
## CAM-LOCK



WHEN FITTING CAM-LOCK  
 ENSURE STARTING POSITION IS CORRECT  
 BEFORE YOU INSERT CONNECTING CAM BOLT  
 TURN CLOCKWISE UNTIL SECURE

**Cam bolt head needs to be in centre**

## DRAWER CAM-LOCK



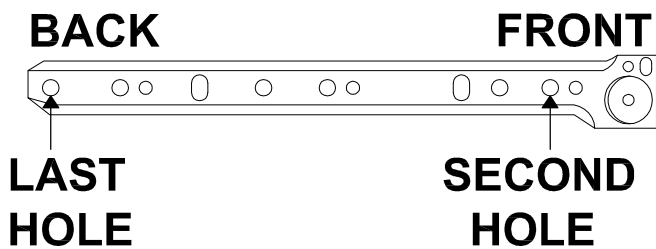
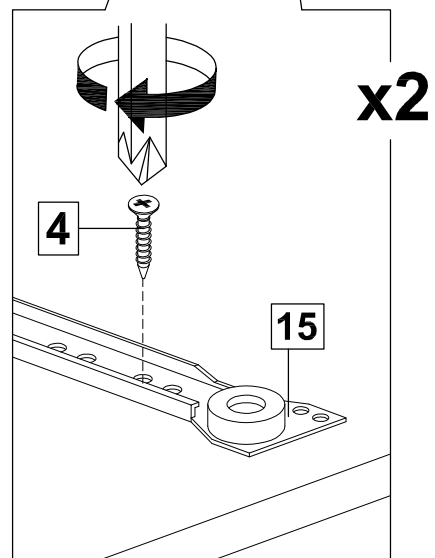
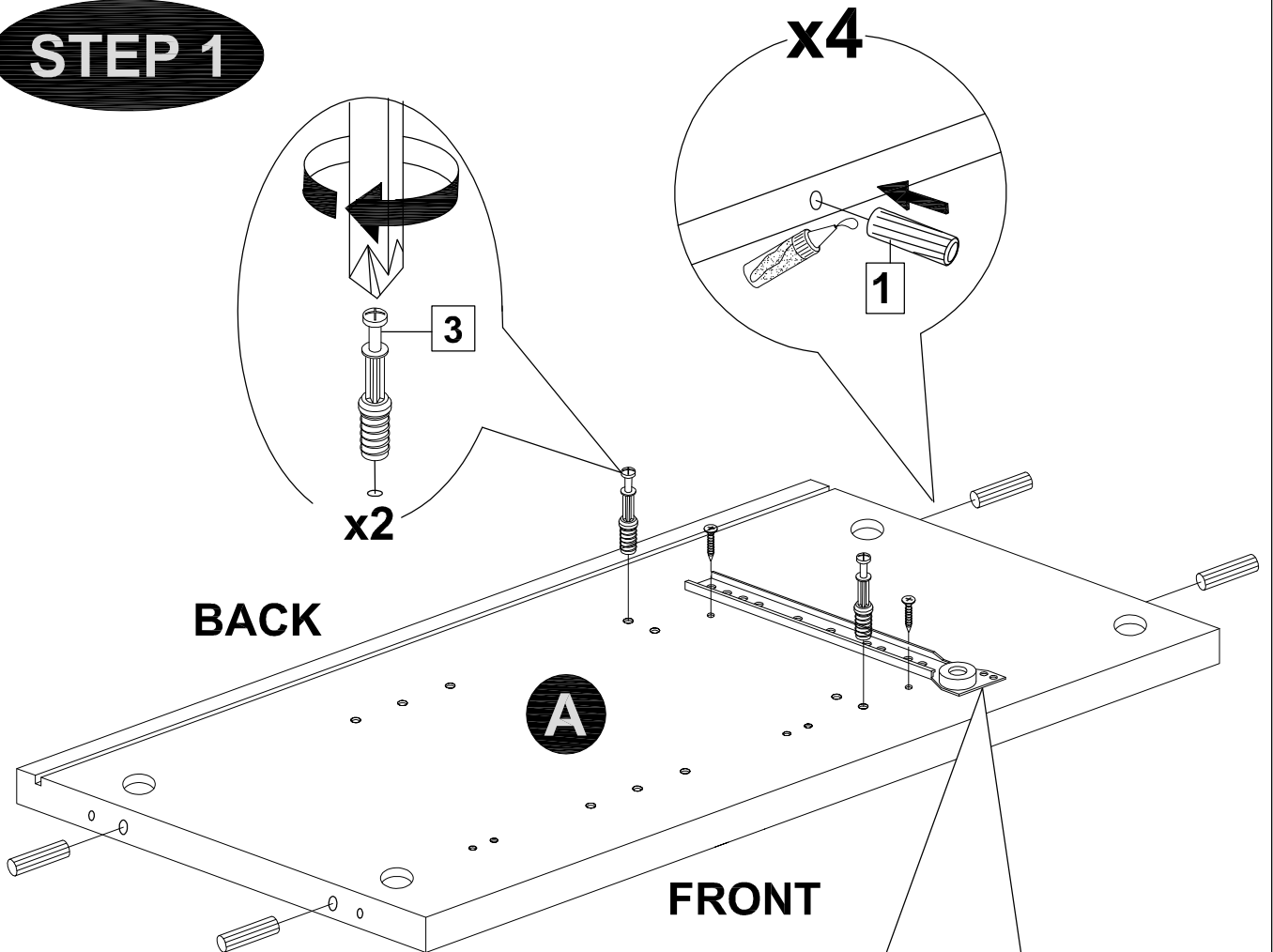
**Cam bolt head needs to be in centre**

## CAM BOLT

Tighten until shoulder is flush with panel. Do not overtighten or undertighten (see example below)

**MODEL NAME:**  
**CAMBOURNE**  
**2 DOOR 2 DRAWER SIDEBOARD**

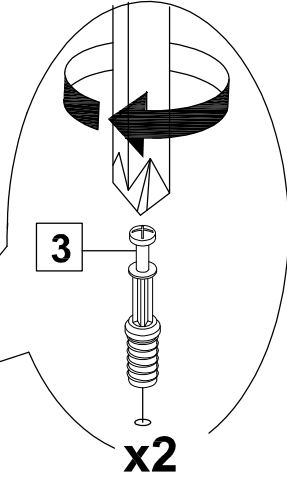
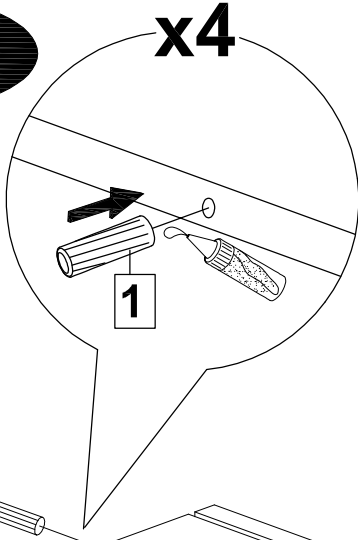
**STEP 1**



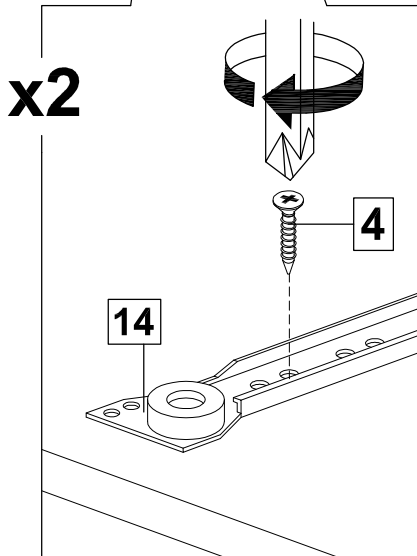
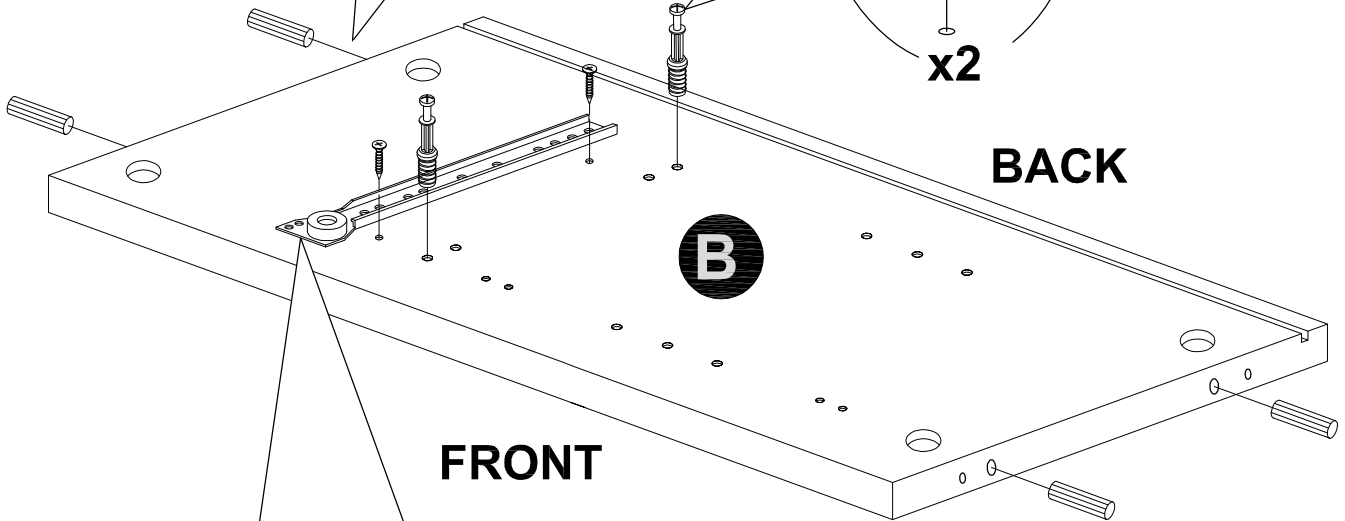
**MODEL NAME:**  
**CAMBOURNE**  
**2 DOOR 2 DRAWER SIDEBOARD**

**STEP 2**

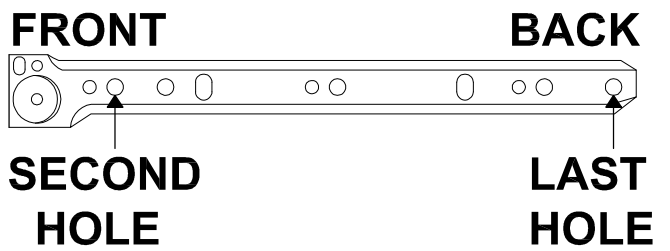
**x4**



**x2**

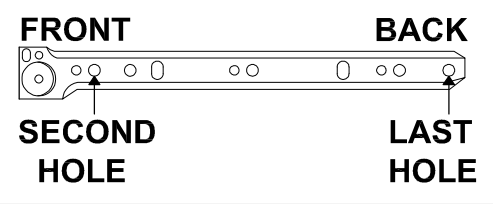
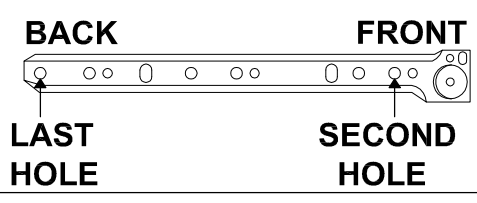
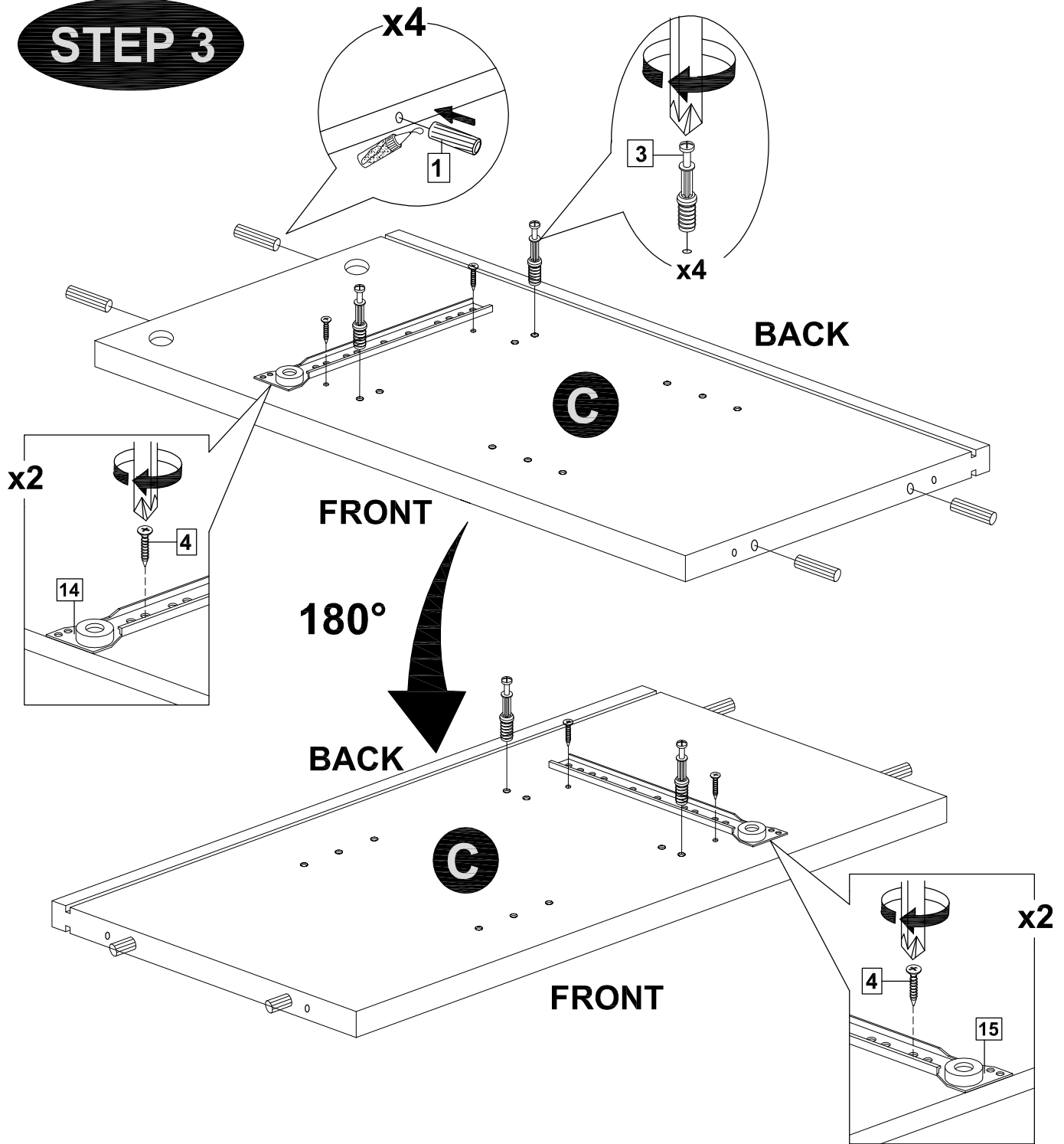


**x2**



**MODEL NAME:**  
**CAMBOURNE**  
**2 DOOR 2 DRAWER SIDEBOARD**

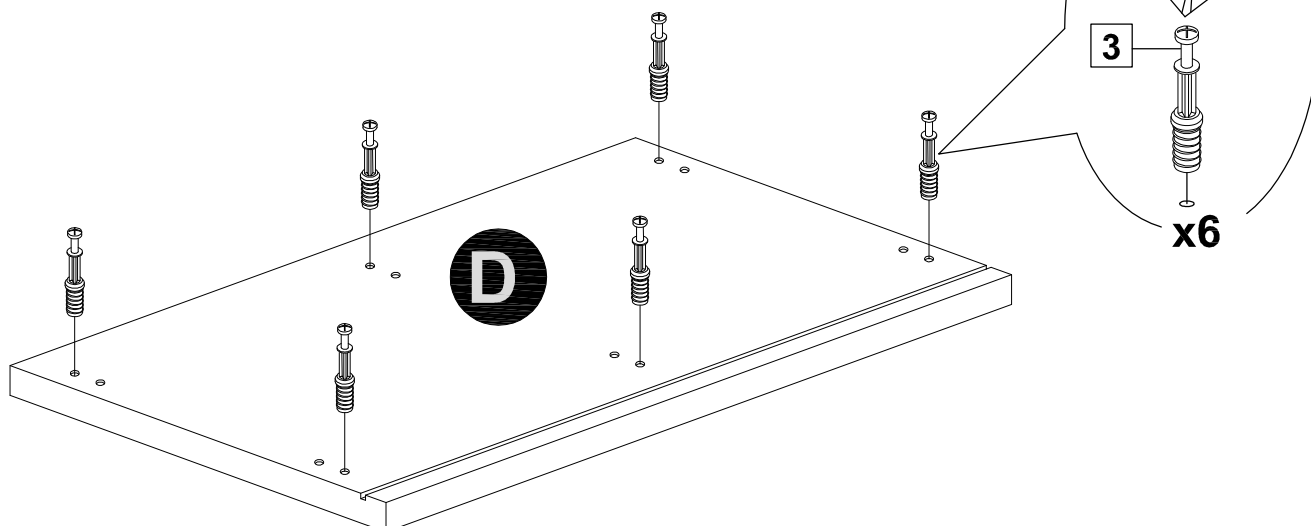
**STEP 3**



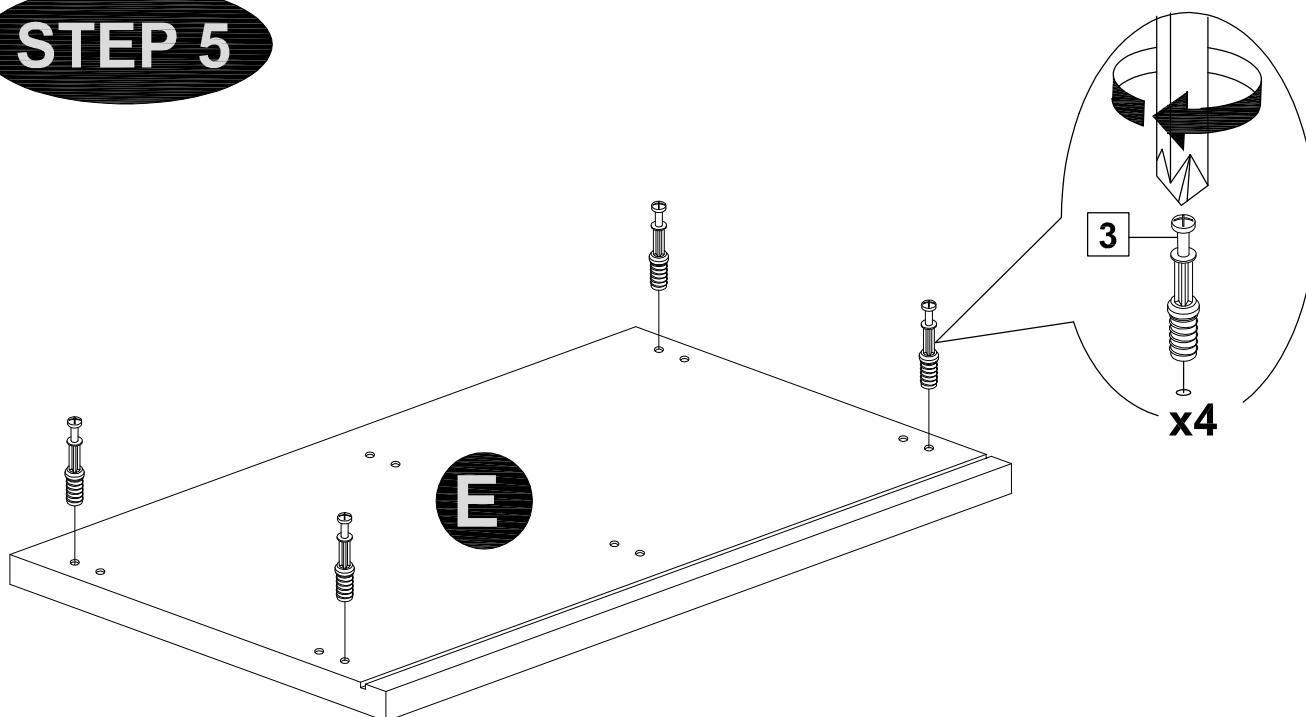


**MODEL NAME:**  
**CAMBOURNE**  
**2 DOOR 2 DRAWER SIDEBOARD**

**STEP 4**

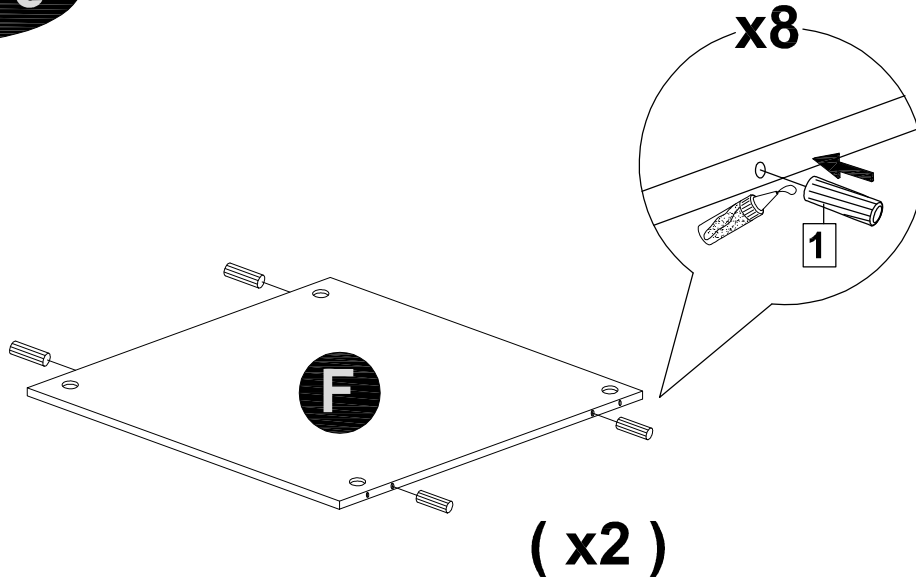


**STEP 5**

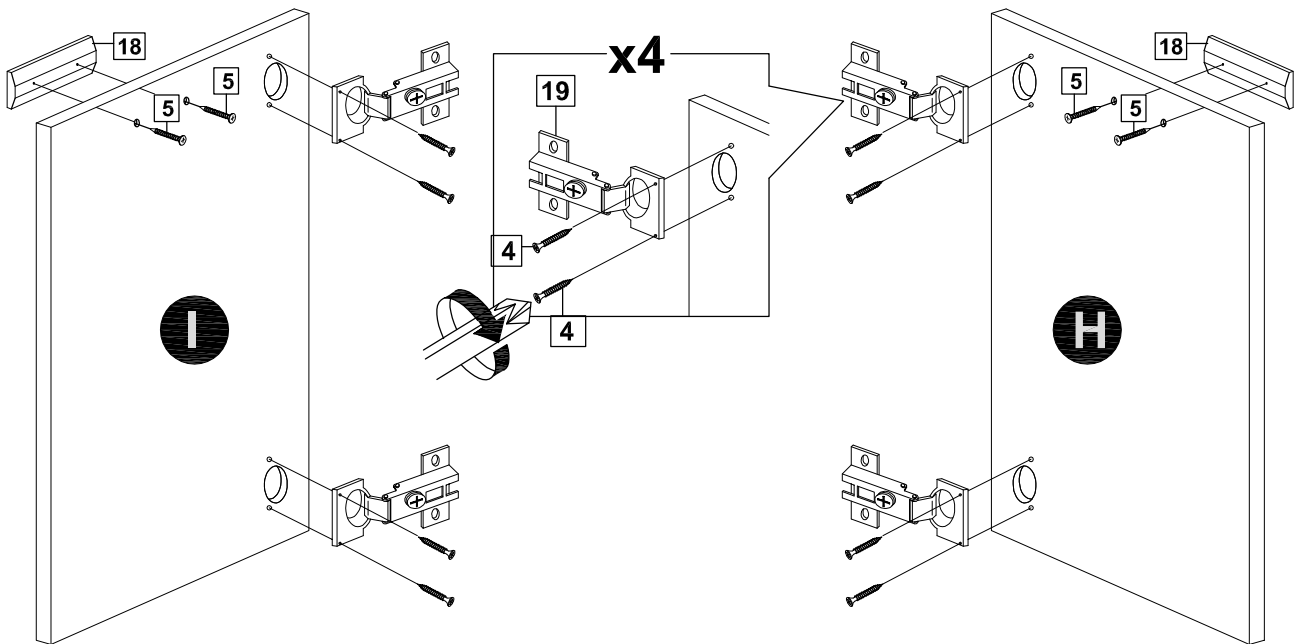


**DESCRIPTION:**  
**CAMBOURNE**  
**2 DOOR 2 DRAWER SIDEBOARD**

**STEP 6**

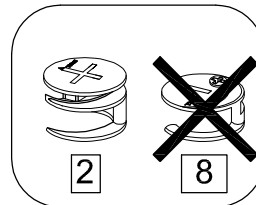
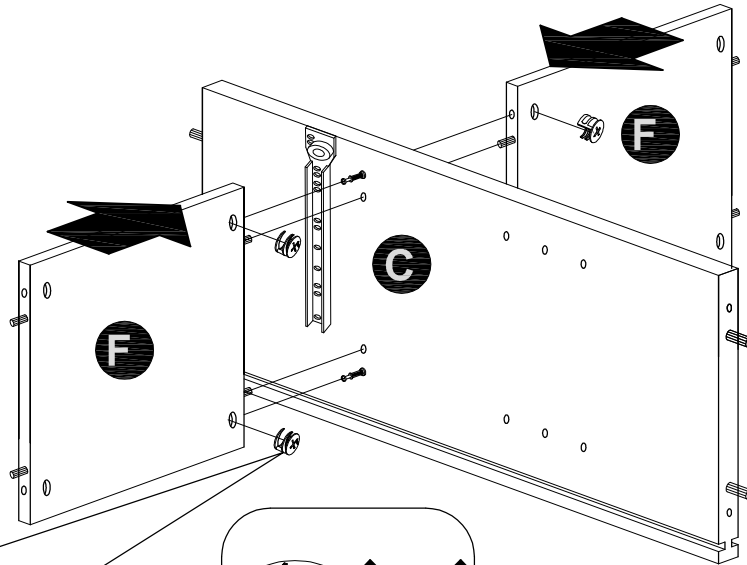
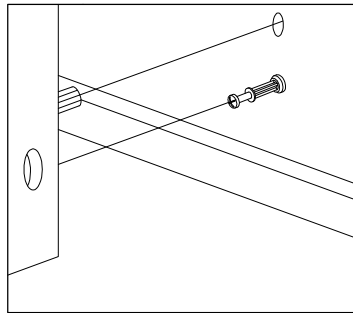
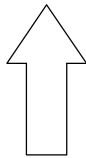
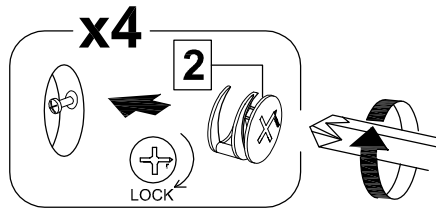


**STEP 7**

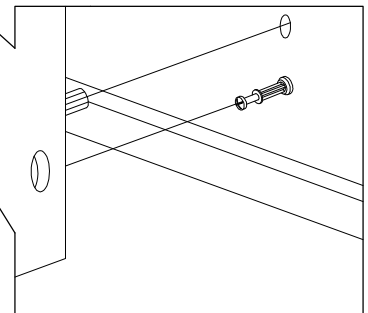
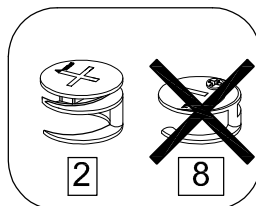
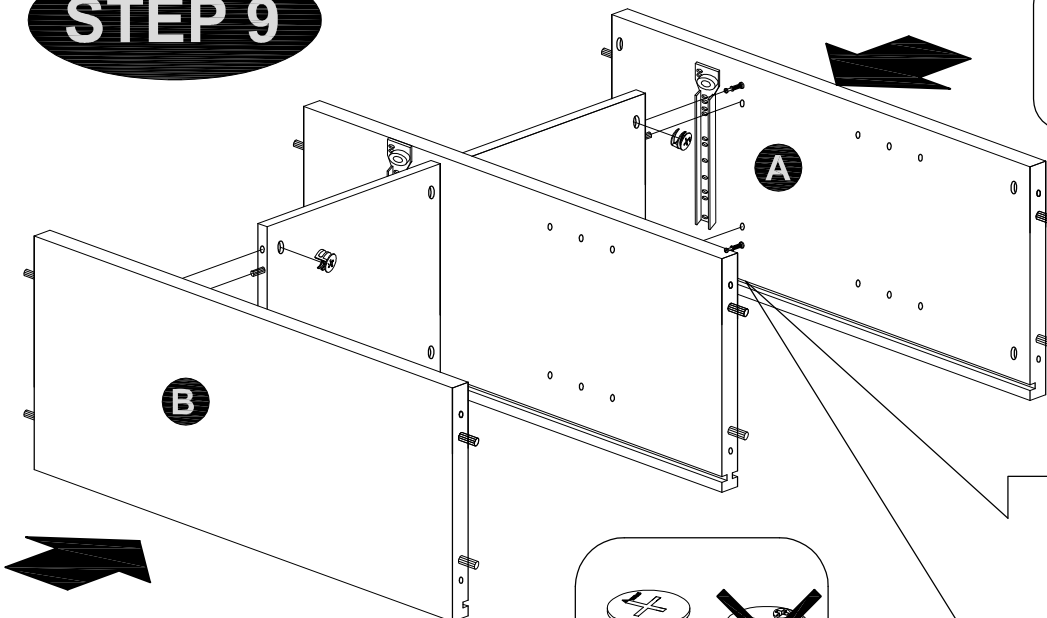
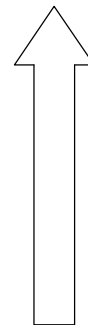
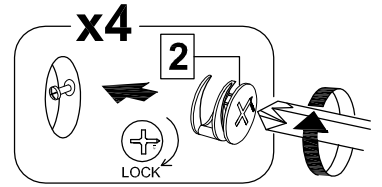


**MODEL NAME:**  
**CAMBOURNE**  
**2 DOOR 2 DRAWER SIDEBOARD**

**STEP 8**

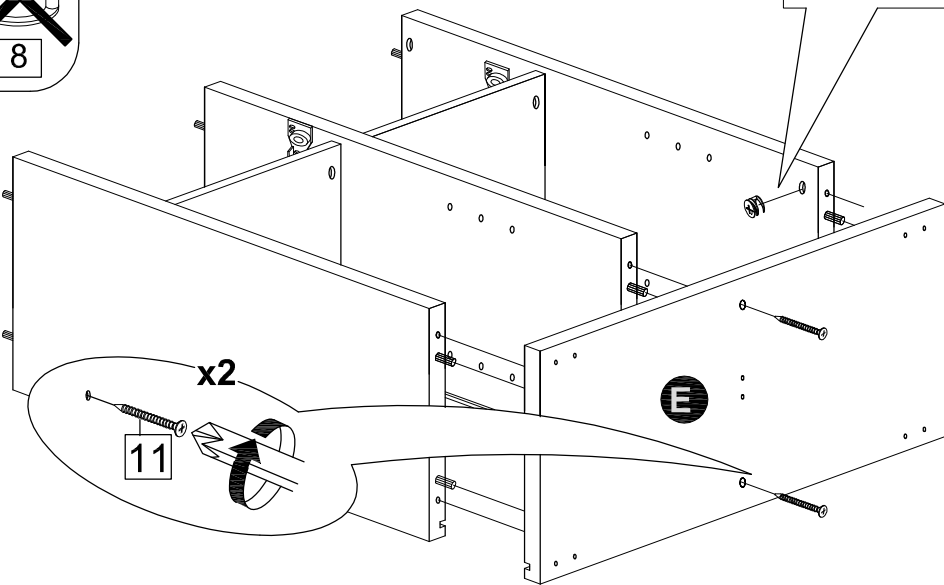
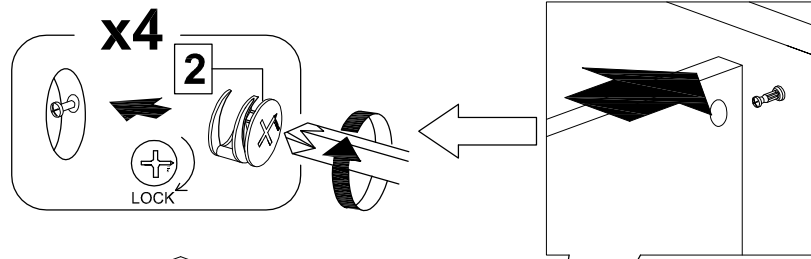
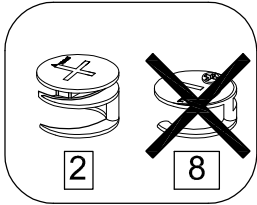


**STEP 9**

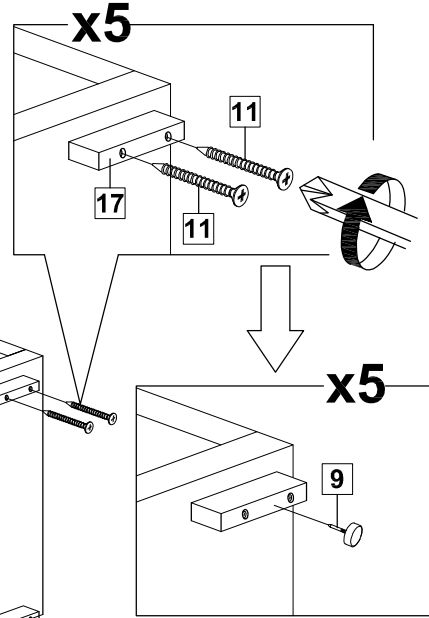
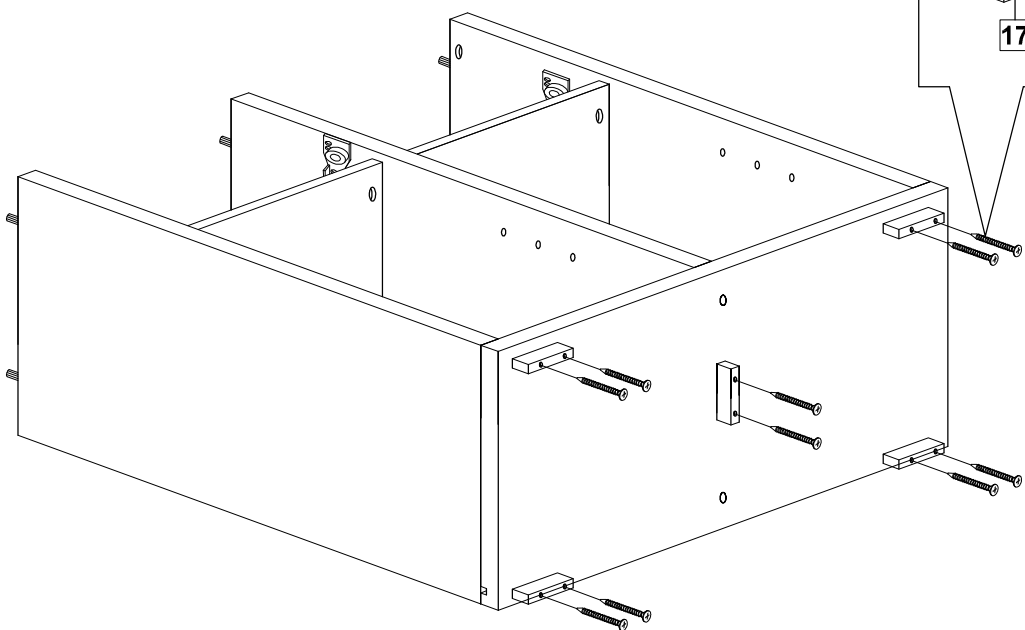


**MODEL NAME:**  
**CAMBOURNE**  
**2 DOOR 2 DRAWER SIDEBOARD**

**STEP 10**

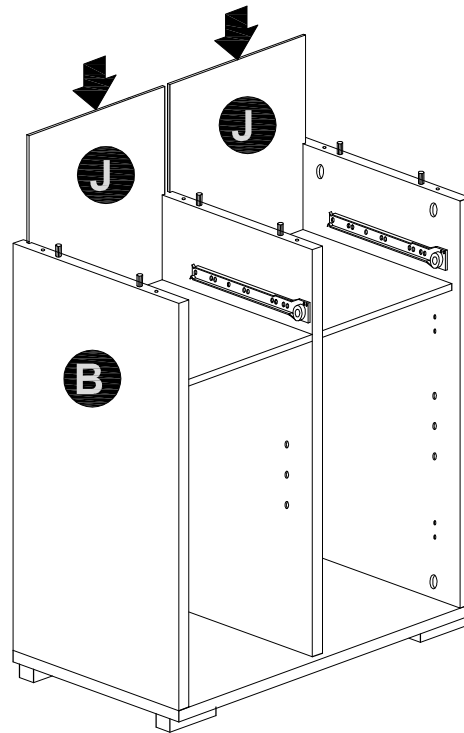


**STEP 11**

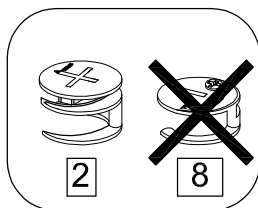
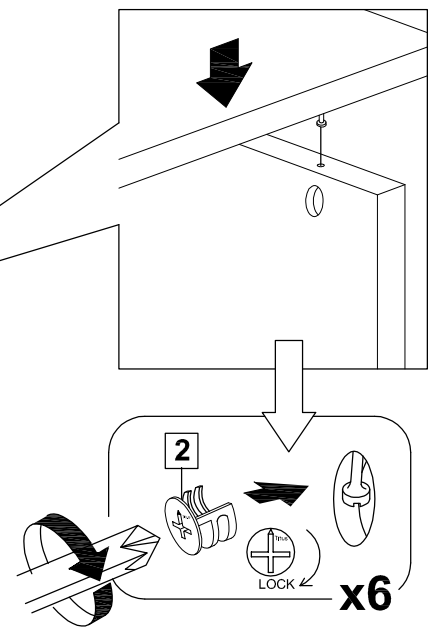
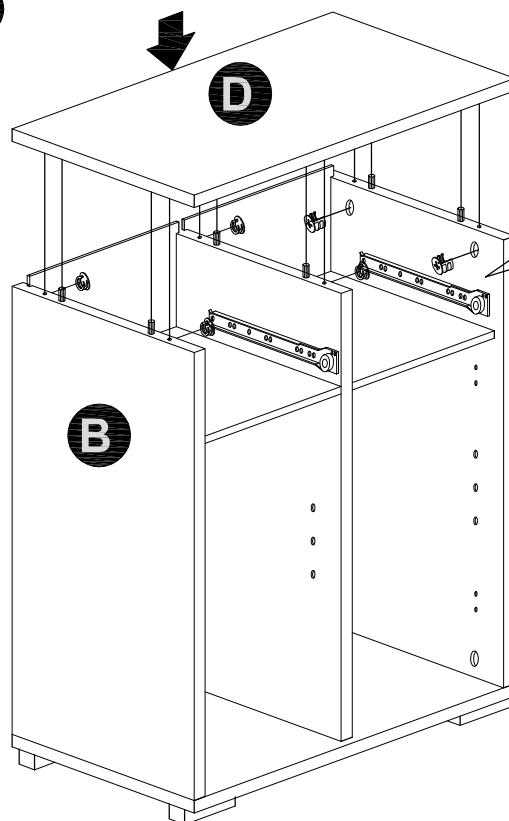


**MODEL NAME:**  
**CAMBOURNE**  
**2 DOOR 2 DRAWER SIDEBOARD**

**STEP 12**



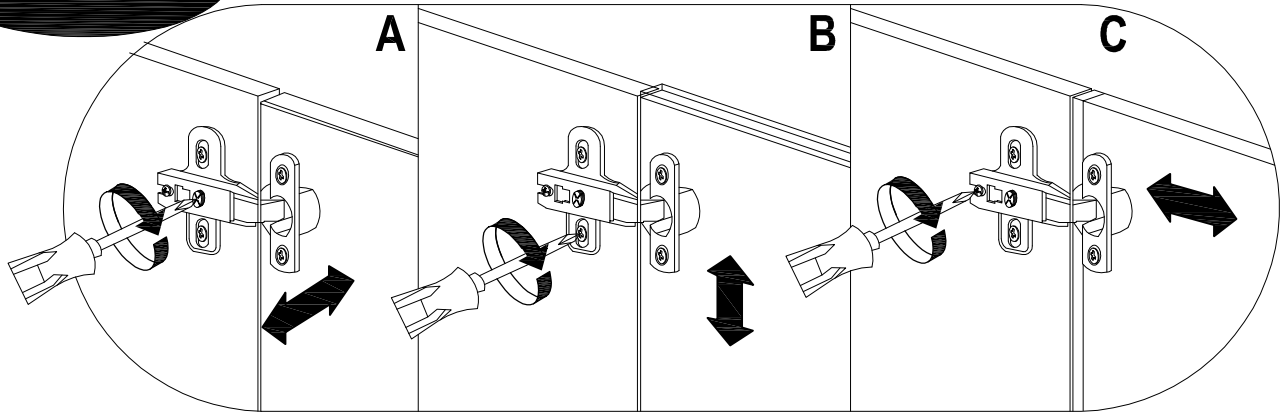
**STEP 13**



**MODEL NAME:**  
**CAMBOURNE**  
**2 DOOR 2 DRAWER SIDEBOARD**

**STEP 14**

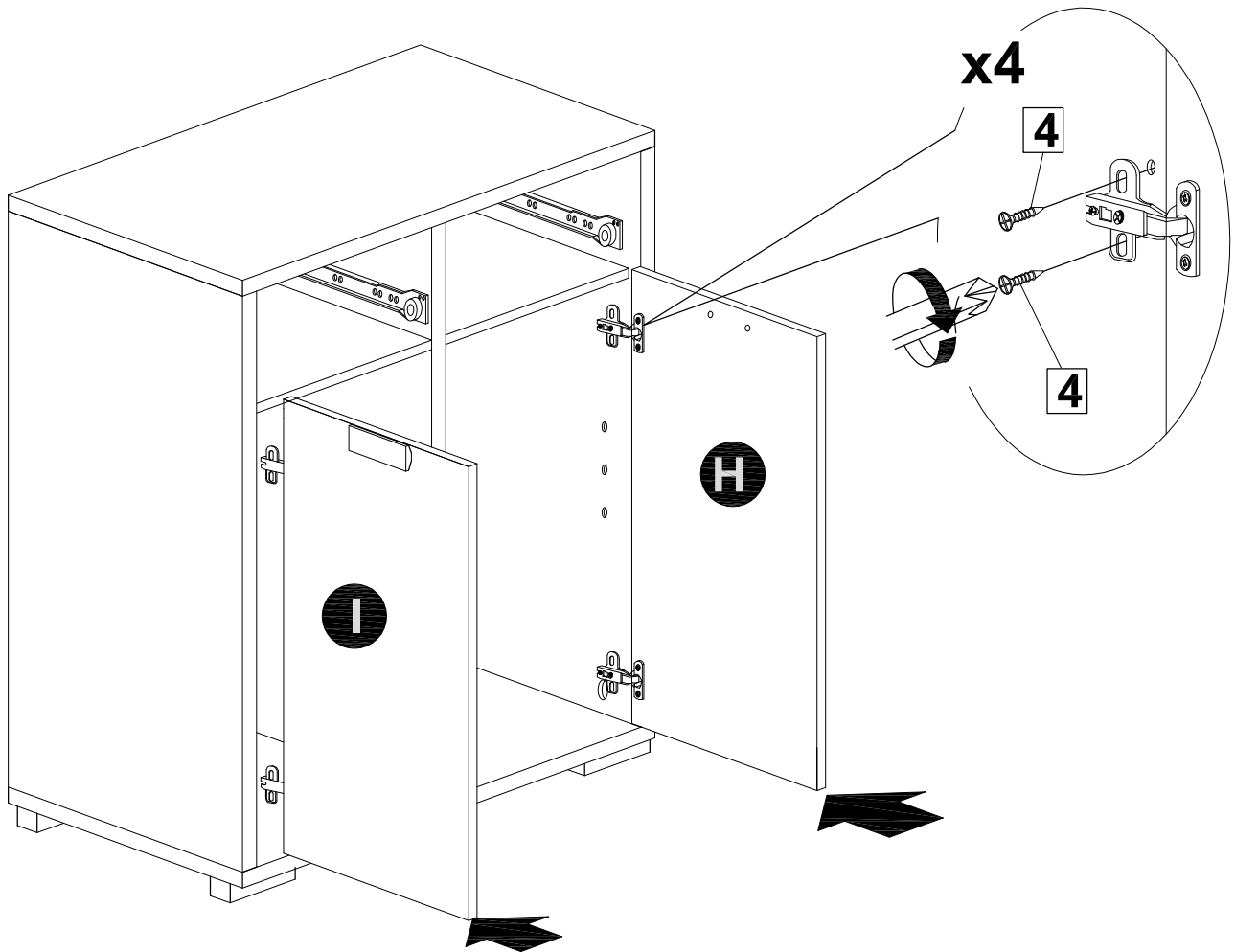
**Hinge Adjustment**



**A. Lateral adjustment by screw adjusting**

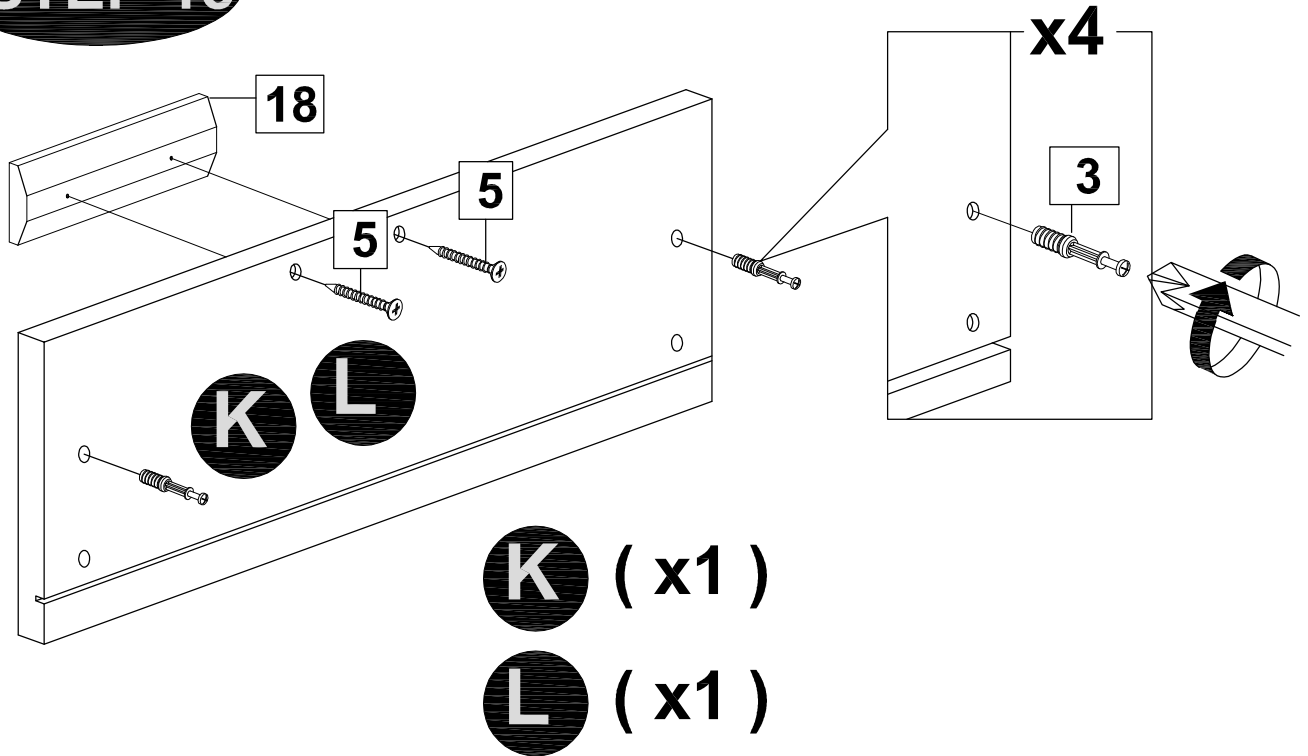
**B. Vertical adjustment via slot in the mounting plate**

**C. Front-to-Back by slacking the hinge arm mounting screw**

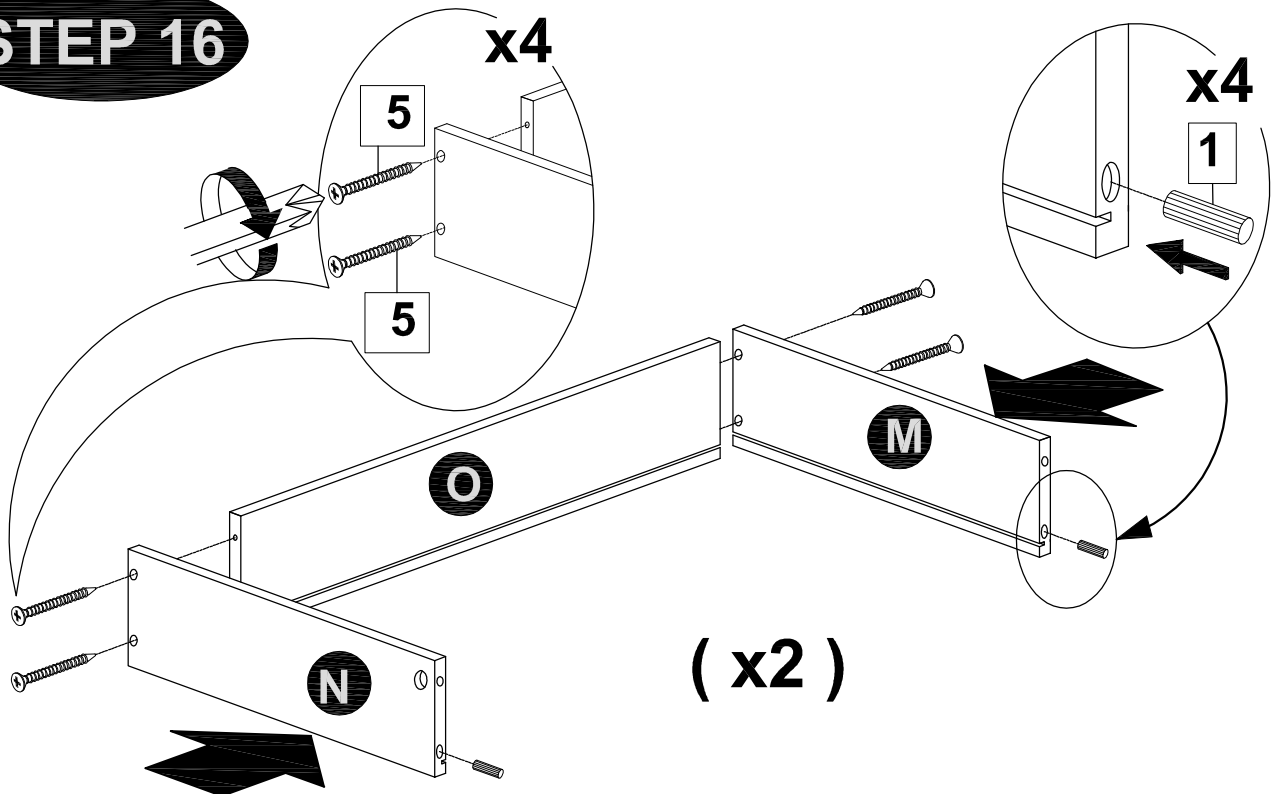


**MODEL NAME:**  
**CAMBOURNE**  
**2 DOOR 2 DRAWER SIDEBOARD**

**STEP 15**

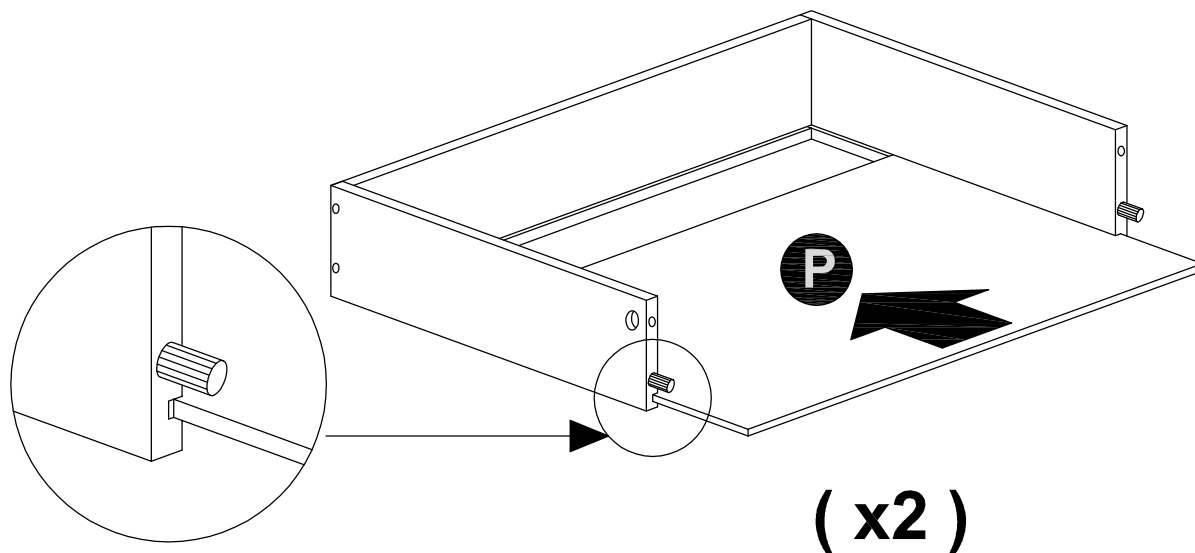


**STEP 16**

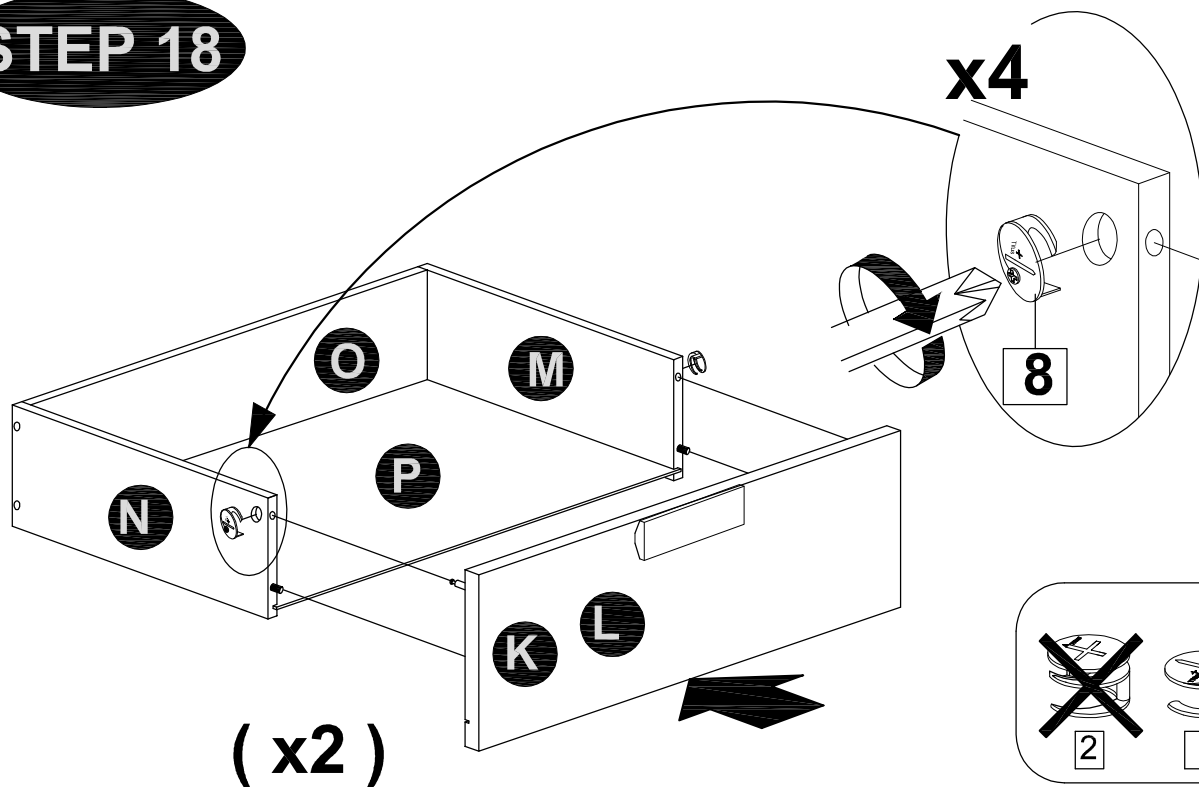


**MODEL NAME:**  
**CAMBOURNE**  
**2 DOOR 2 DRAWER SIDEBOARD**

**STEP 17**



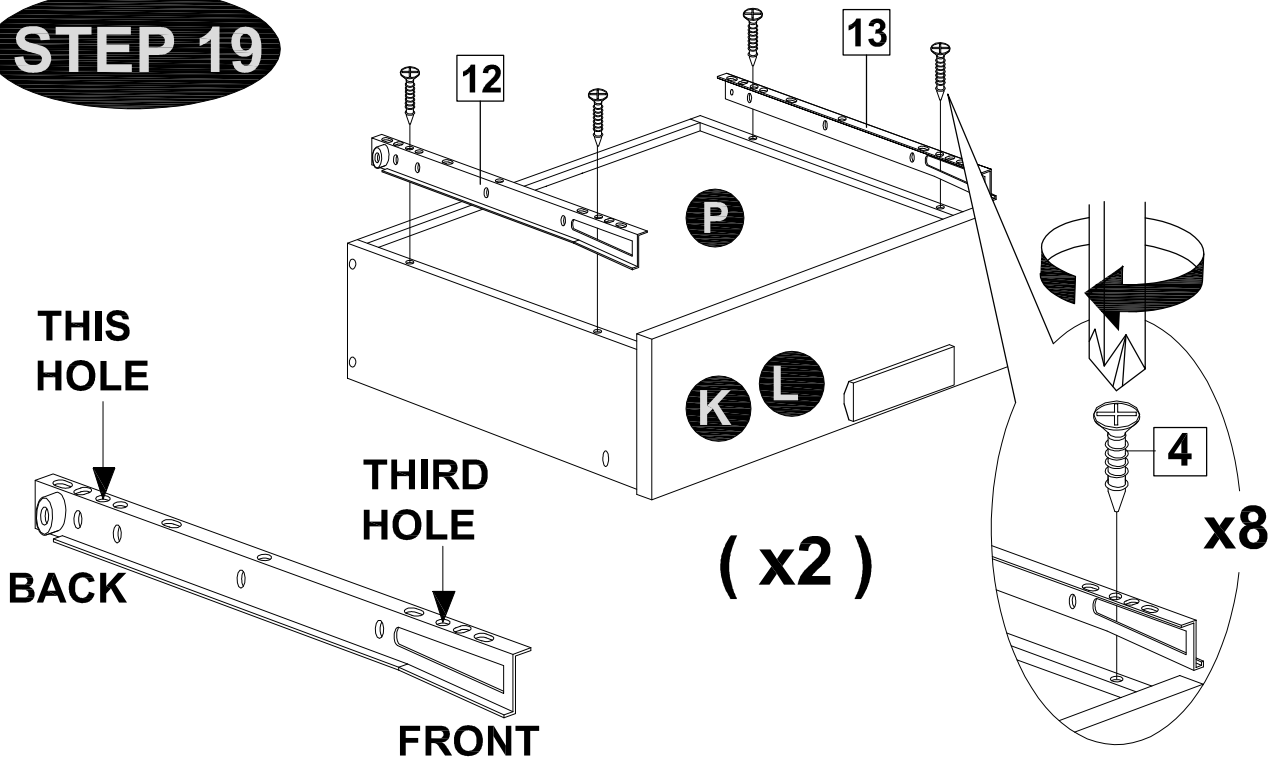
**STEP 18**



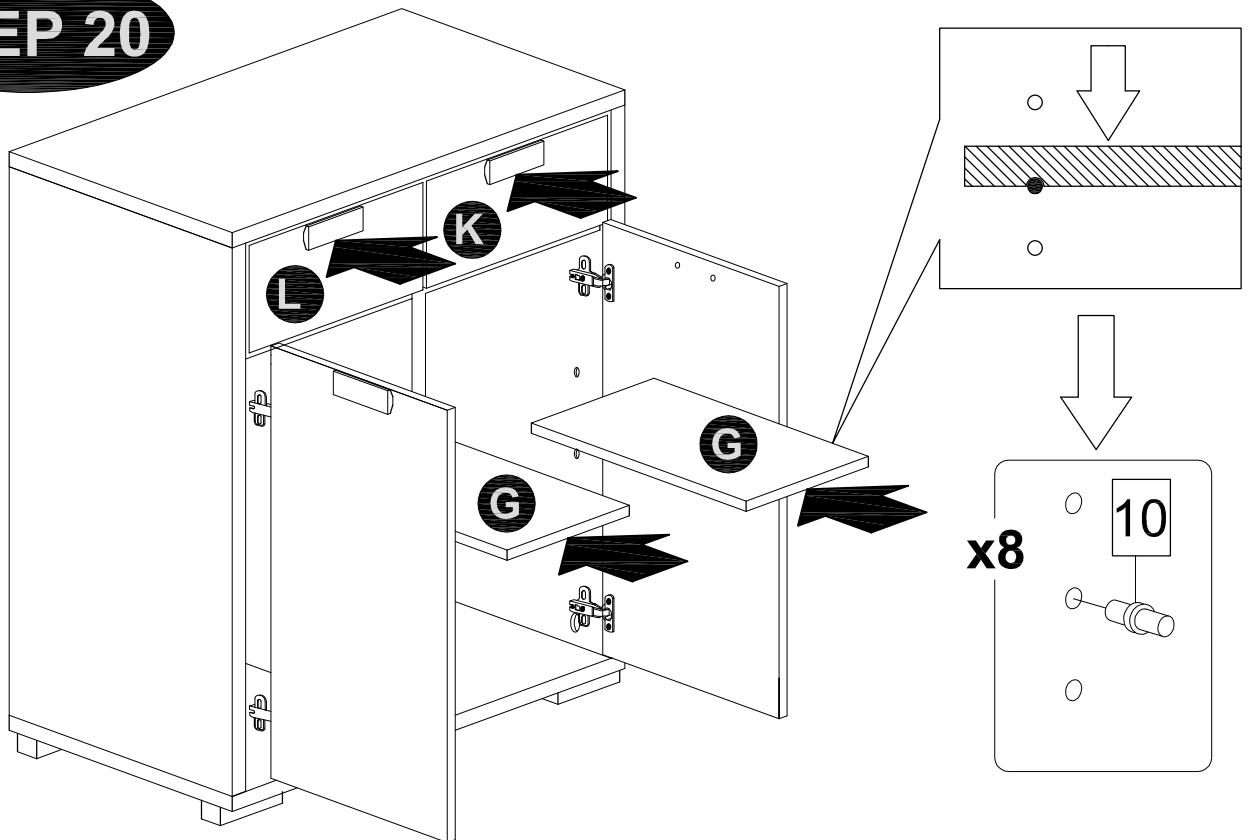


**MODEL NAME:**  
**CAMBOURNE**  
**2 DOOR 2 DRAWER SIDEBOARD**

**STEP 19**

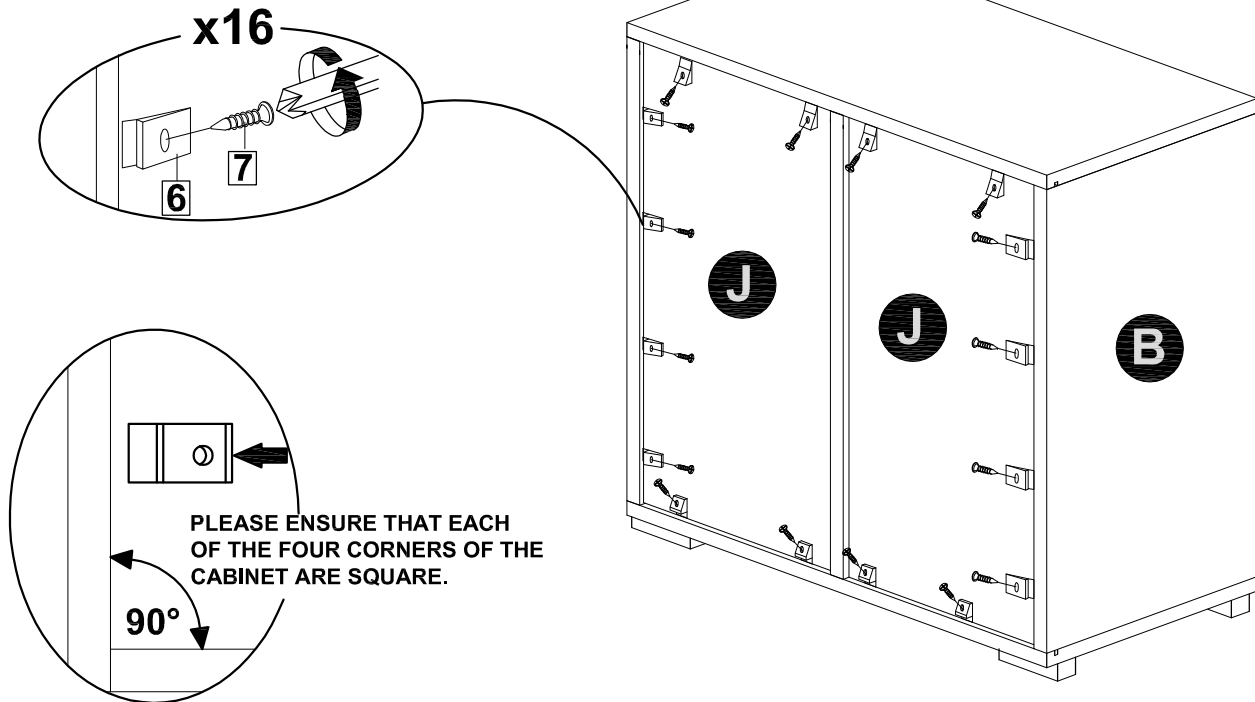


**STEP 20**

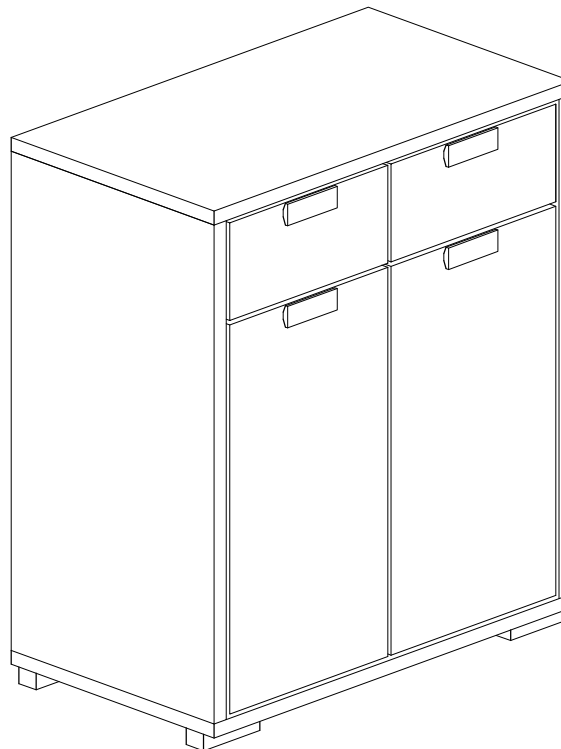


**MODEL NAME:**  
**CAMBOURNE**  
**2 DOOR 2 DRAWER SIDEBOARD**

**STEP 21**

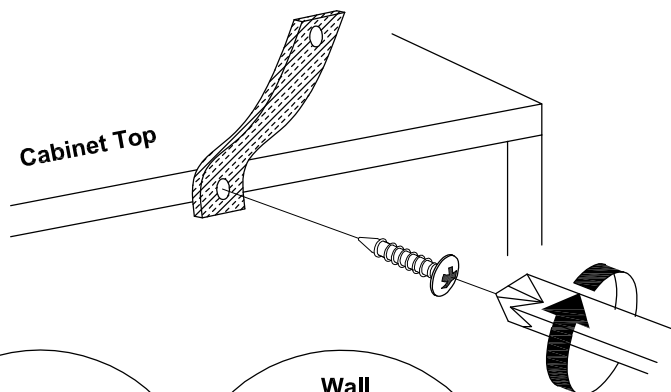


**STEP 22**

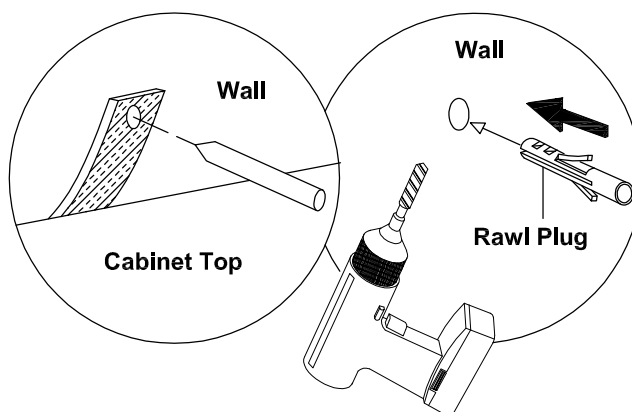


**DESCRIPTION:****CAMBOURNE  
2 DOOR 2 DRAWER SIDEBOARD****FITTING OF ANTI-TIP BRACKET****STEP 1 :**

Insert screws through bracket into pre-drilled holes in cabinet.

**STEP 2 :**

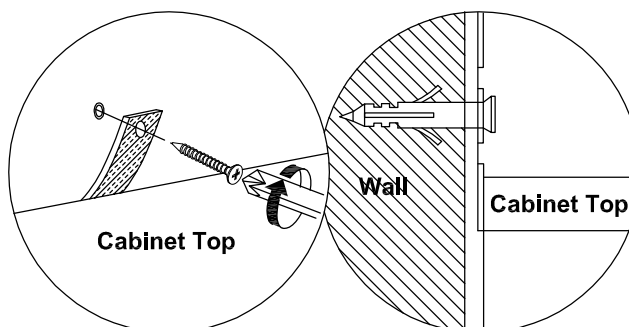
Make a mark on the wall through the bracket.



Drill a hole in the wall and insert the rawl plug.

**STEP 3 :**

Insert screw through bracket into hole in wall



**NOTE :** Wall fixings are not supplied with this product as different wall materials require different types of fixing devices (such as Rawl plugs on brick work). You must use fixing devices suitable for the type of wall you intend to mount this product to. Please ensure that the head of any screw used as a diameter greater than the diameter of the mounting hole on the bracket and that the fixing is safe and secure before use.

The screw supplied is to fix the anti-tip strap to the cabinet.

**HARDWARE LIST**

**Anti-Tip Strap - 2pcs**



**M4 x 16MM - 2pcs**