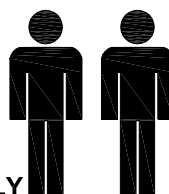


**MODEL NAME:**  
**CAMBOURNE**  
**2 DRAWER FLAT SCREEN TV UNIT**

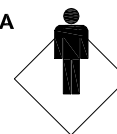
**60min**

APPROXIMATE ASSEMBLY TIME

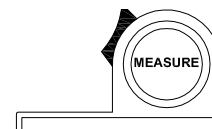
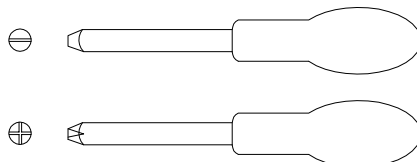
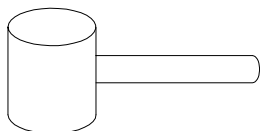


2 PEOPLE FOR ASSEMBLY

FLOOR AREA  
 1.0M X1.5M

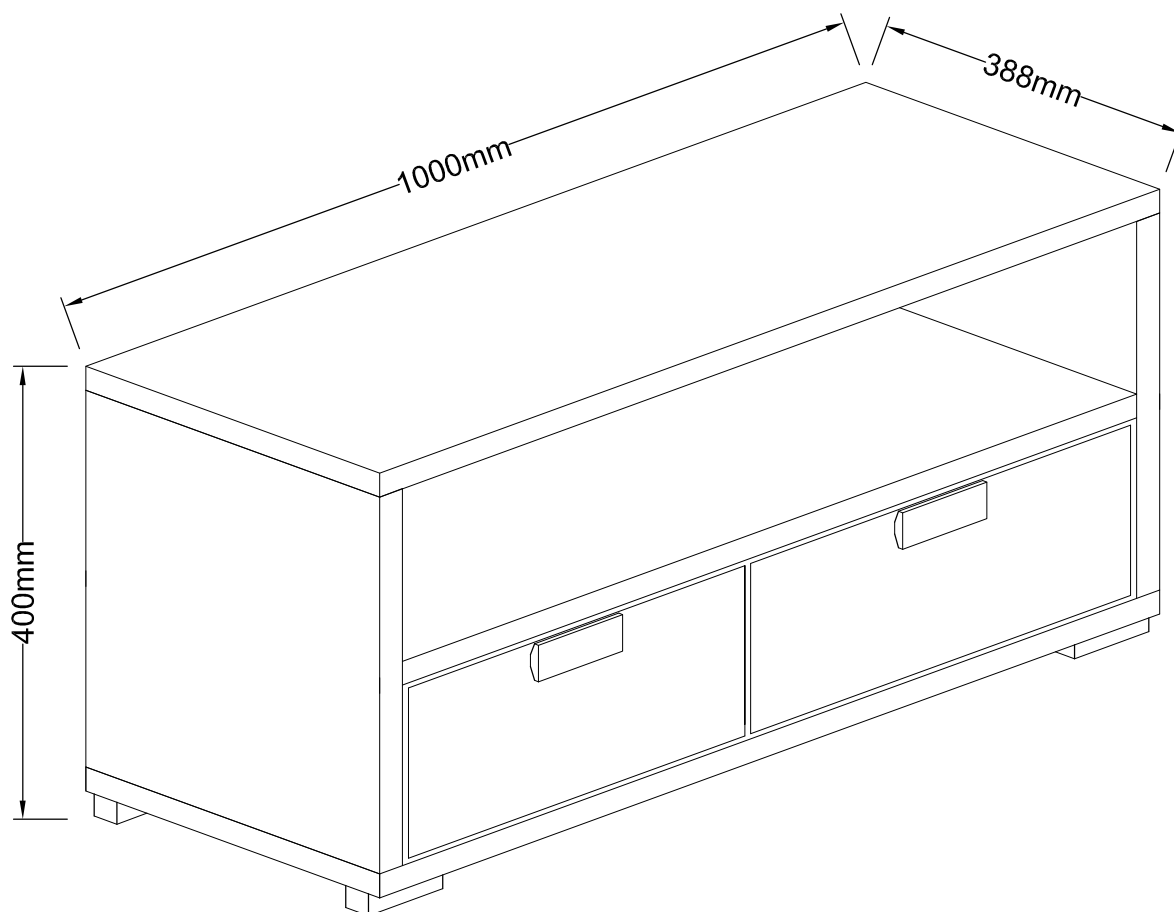


REQUIRED ASSEMBLY SPACE



REQUIRED ASSEMBLY TOOLS

ASSEMBLED DIMENSIONS

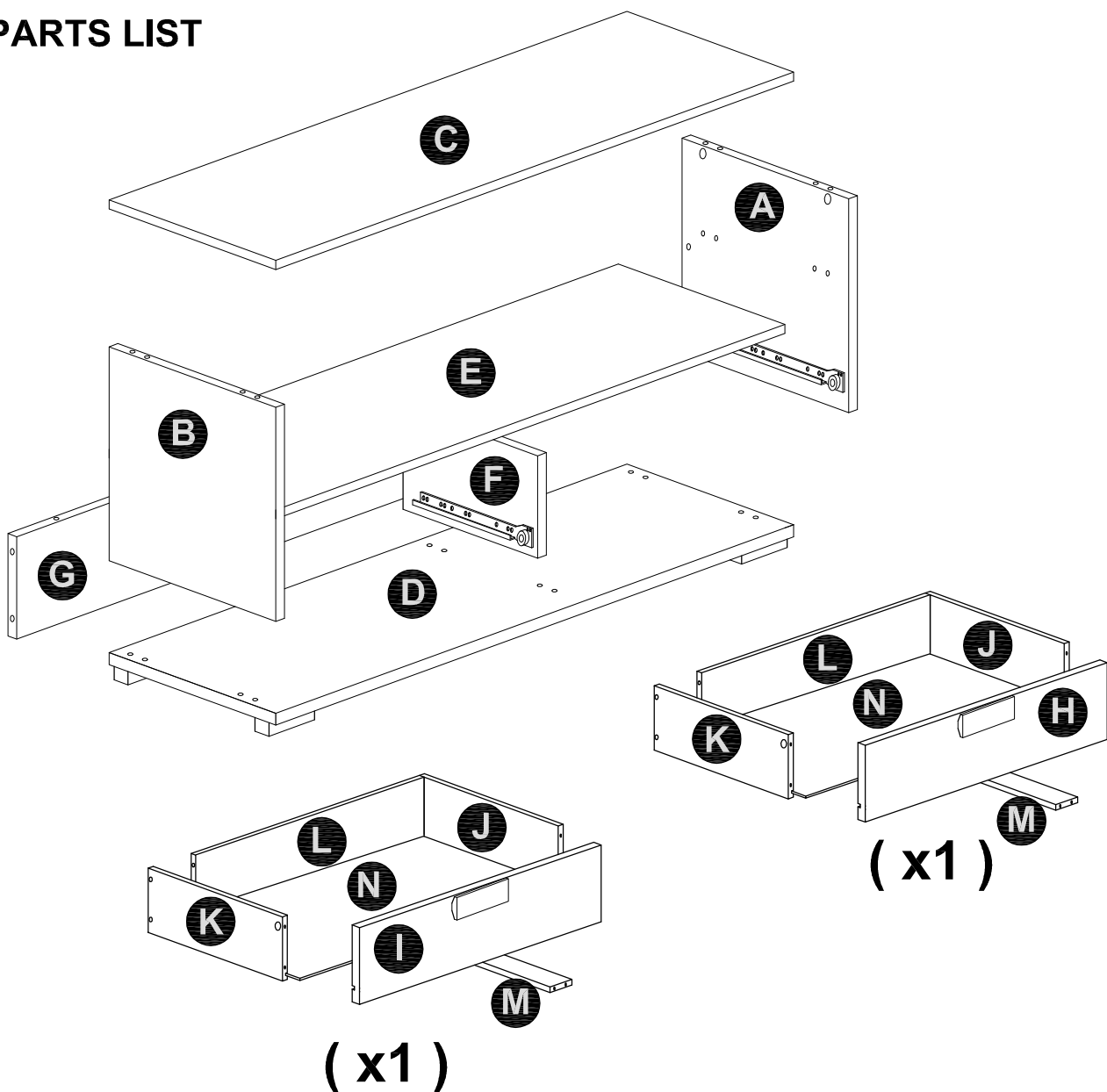


**NOTE : THE MAXIMUM WEIGHT THIS PRODUCT CAN HOLD UP TO IS 25 KGS.**

**MODEL NAME:**  
**CAMBOURNE**  
**2 DRAWER FLAT SCREEN TV UNIT**

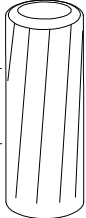


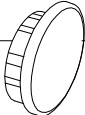
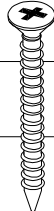
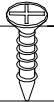

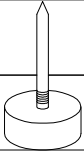
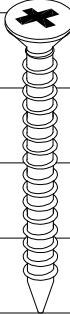
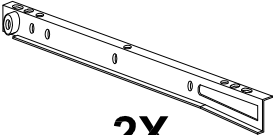
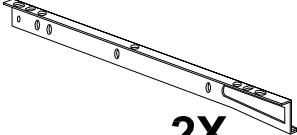
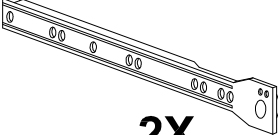
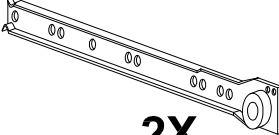
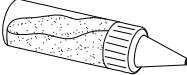
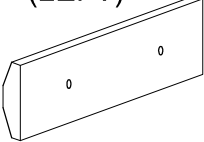
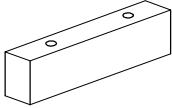
NO.	PART LIST	QTY	NO.	PART LIST	QTY
(A)	RIGHT SIDE PANEL	1	(H)	DRAWER FRONT (RIGHT)	1
(B)	LEFT SIDE PANEL	1	(I)	DRAWER FRONT (LEFT)	1
(C)	TOP PANEL	1	(J)	DRAWER SIDE (RIGHT)	2
(D)	BOTTOM PANEL	1	(K)	DRAWER SIDE (LEFT)	2
(E)	FIXED PANEL	1	(L)	DRAWER BACK PANEL	2
(F)	DRAWER DIVIDE	1	(M)	DRAWER BASE SUPPORT	2
(G)	BACK PANEL	1	(N)	DRAWER BASE	2

**PARTS LIST**



**MODEL NAME:**  
**CAMBOURNE**  
**2 DRAWER FLAT SCREEN TV UNIT**

**HARDWARE LIST**

				
<b>36X</b> Dia.6 x 30mm	<b>10X</b> Dia.15mm	<b>14X</b> M6.5	<b>4X</b> Dia 15mm	<b>16X</b> M3.5 x 25mm
<b>1</b> WOOD DOWEL	<b>2</b> CAM-LOCK	<b>3</b> CAM BOLT	<b>4</b> CAMLOCK COVER	<b>5</b> FLAT HEAD SCREW
				
<b>16X</b> M3.5 x 12mm	<b>4X</b> Dia.15mm	<b>5X</b> <b>8</b> FOOT	<b>16X</b> M5 x 40mm	
<b>6</b> FLAT HEAD SCREW	<b>7</b> DRAWER CAM-LOCK		<b>9</b> FLAT HEAD SCREW	
				
<b>2X</b> <b>10</b> DRAWER RUNNER (RIGHT)	<b>2X</b> <b>11</b> DRAWER RUNNER (LEFT)	<b>2X</b> <b>12</b> DRAWER RUNNER TRACK (LEFT)	<b>2X</b> <b>13</b> DRAWER RUNNER TRACK (RIGHT)	
				
<b>2X</b> <b>14</b> GLUE 10CC	<b>2X</b> <b>15</b> HANDLE	<b>5X</b> <b>16</b> LEG		

	<b>MODEL NAME:</b> <b>CAMBOURNE</b> <b>2 DRAWER FLAT SCREEN TV UNIT</b>
--	---

**Top Tips before you start!**

1. Please check that all parts are present before you start the assembly of your furniture.
2. For ease and speed of assembly, we recommend that before you commence each step of the assembly, that you identify all the parts required for that step.
3. For larger items, please ensure that you have sufficient space and people ( as indicated on page 1 ) to assemble your product safely
4. We recommend that, where possible, all items are assembled near to the area in which they will be placed in use, to avoid moving the product unnecessarily once assembled.
5. For the protection of your furniture, particularly items of high gloss finish, we recommend that the product is placed on a protected surface during assembly to prevent any damage.
6. During assembly please take care not to over-tighten any fittings, as this may damage the product.
7. Always place the product on a flat, steady and stable surface.
8. Do not sit or stand on the product.  
Do not use the product as a stepladder.
9. This product is intended for indoor, household use only as it is non industrial product.
10. This product is constructed from re-inforced hollow board. Excessive pressure will cause irreparable damage. Please do not kneel on any part of this product during assembly.

**Care and Maintenance of your Furniture**

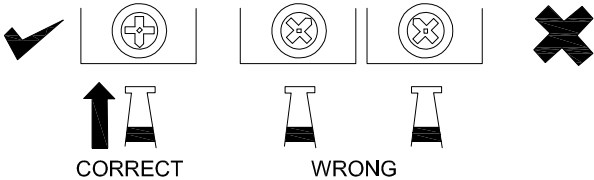
- Please periodically check all fittings and re-tighten as necessary.
- For cleaning, you may use a damp cloth (not wet) do not use polish, detergent or chemical cleaners.
- Never allow any kind of liquid to remain on your furniture.
- Please do not place hot items (e.g. hot drinks ) directly on to the wood surface.
- Please do not drag and pull your furniture.

**MODEL NAME:**  
**CAMBOURNE**  
**2 DRAWER FLAT SCREEN TV UNIT**

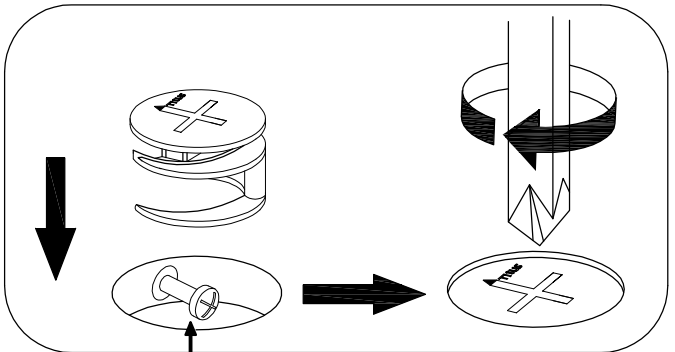
# SPECIAL TIPS FOR FITTING CAM-LOCKS AND CAM BOLT



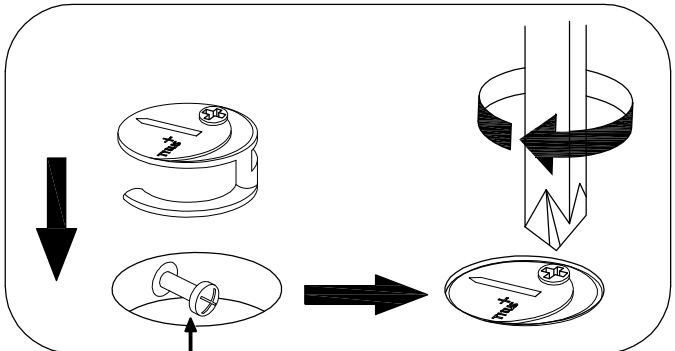
WHEN FITTING CAM-LOCK  
 ENSURE STARTING POSITION IS CORRECT  
 BEFORE YOU INSERT CONNECTING CAM BOLT  
 TURN CLOCKWISE UNTIL SECURE



**CORRECT**      **WRONG**

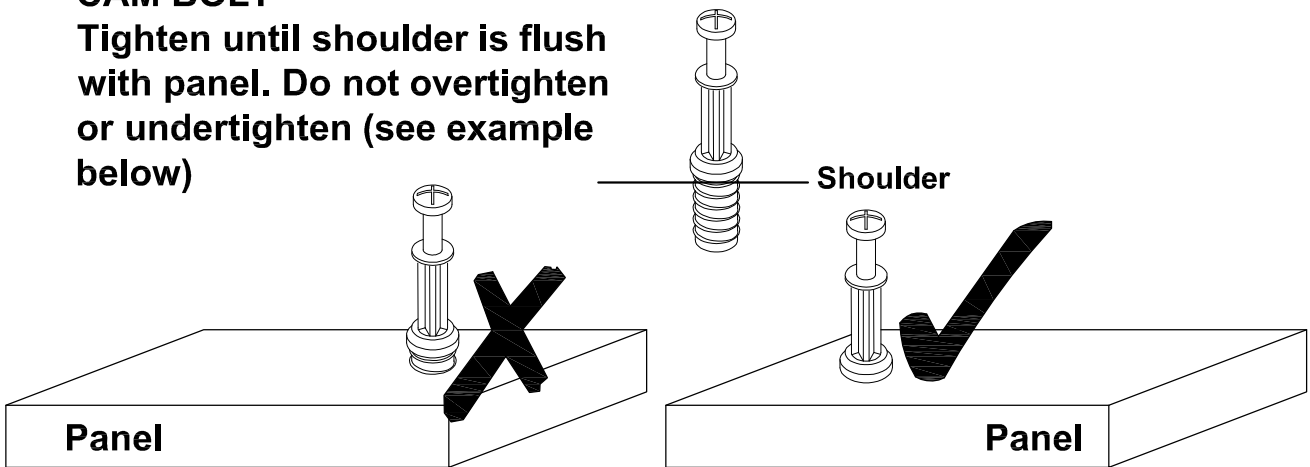


**Cam bolt head needs to be in centre**



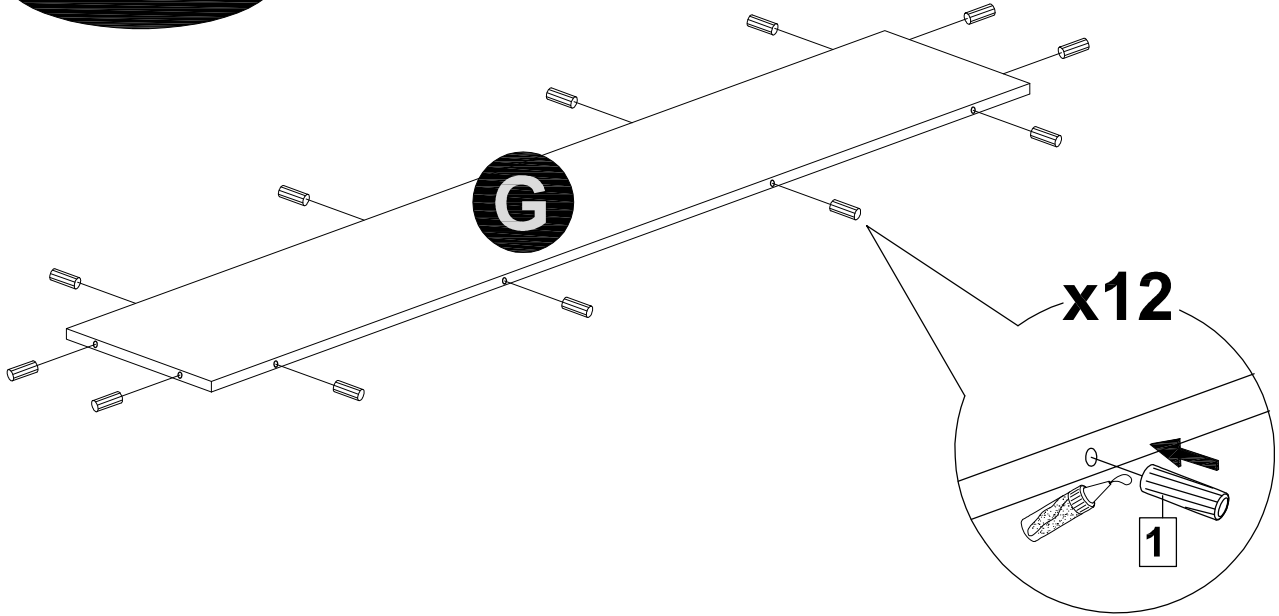
**Cam bolt head needs to be in centre**

**CAM BOLT**  
 Tighten until shoulder is flush with panel. Do not overtighten or undertighten (see example below)

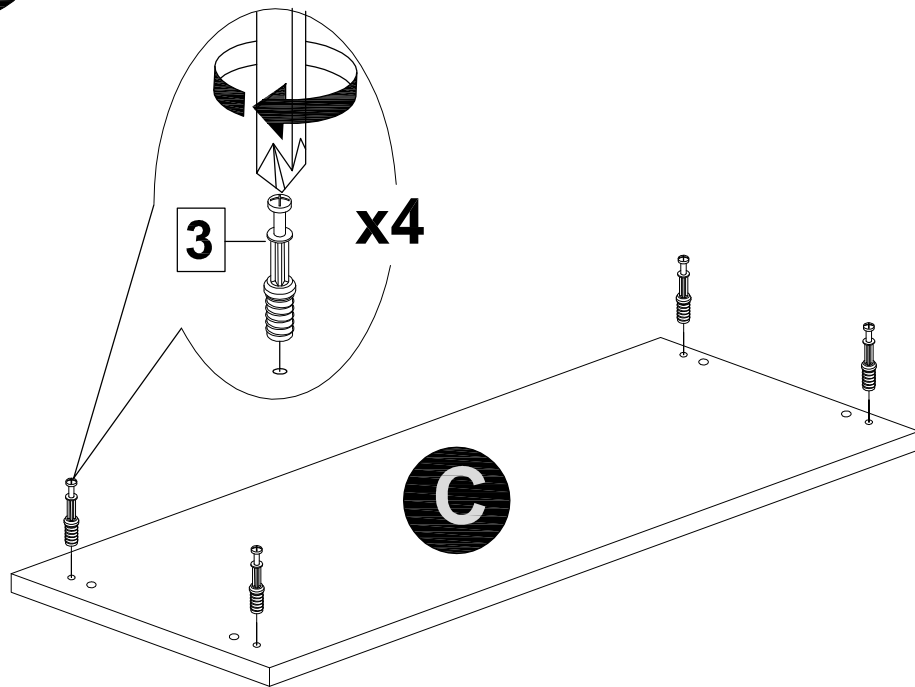


**MODEL NAME:**  
**CAMBOURNE**  
**2 DRAWER FLAT SCREEN TV UNIT**

**STEP 1**

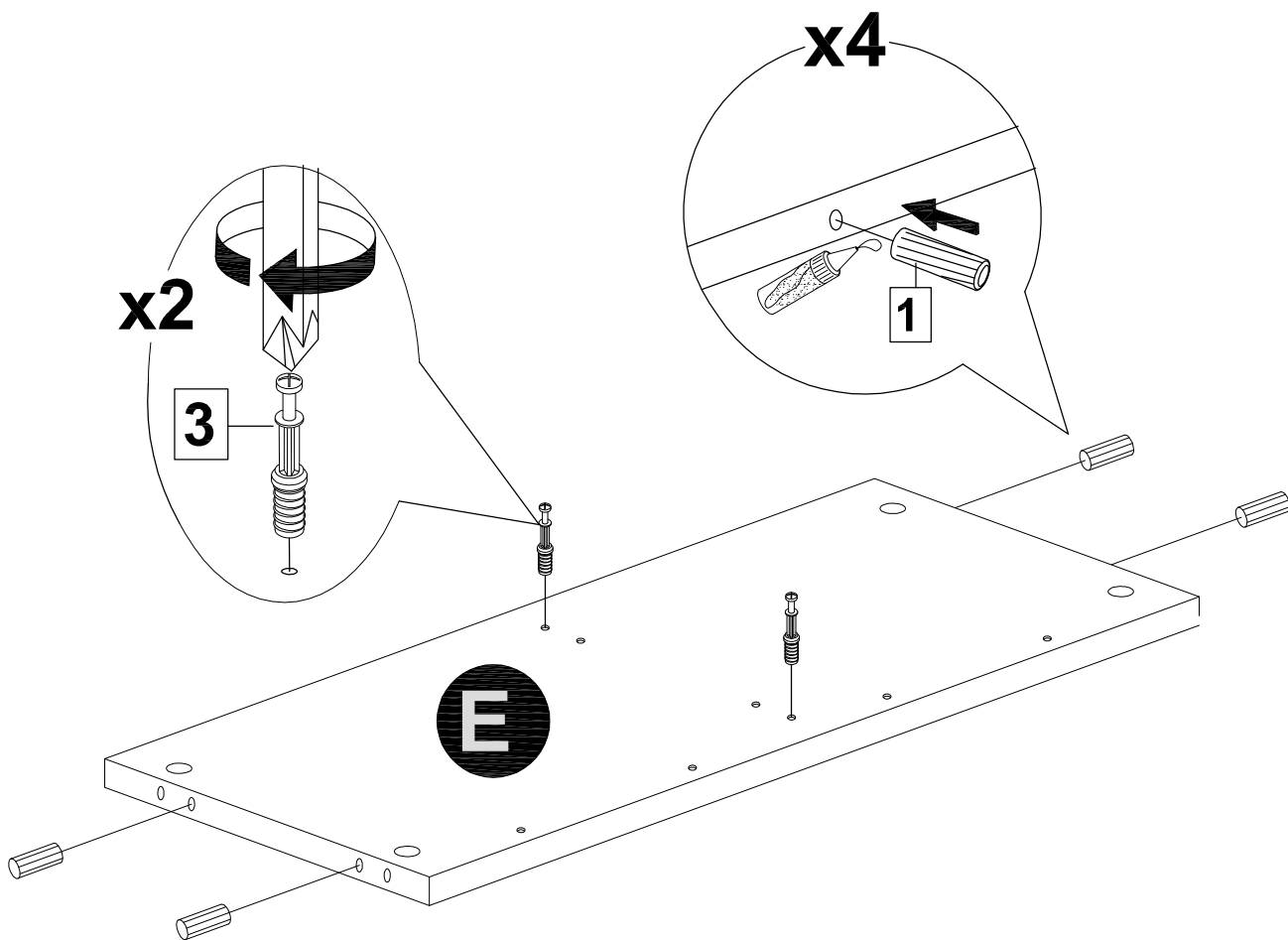


**STEP 2**



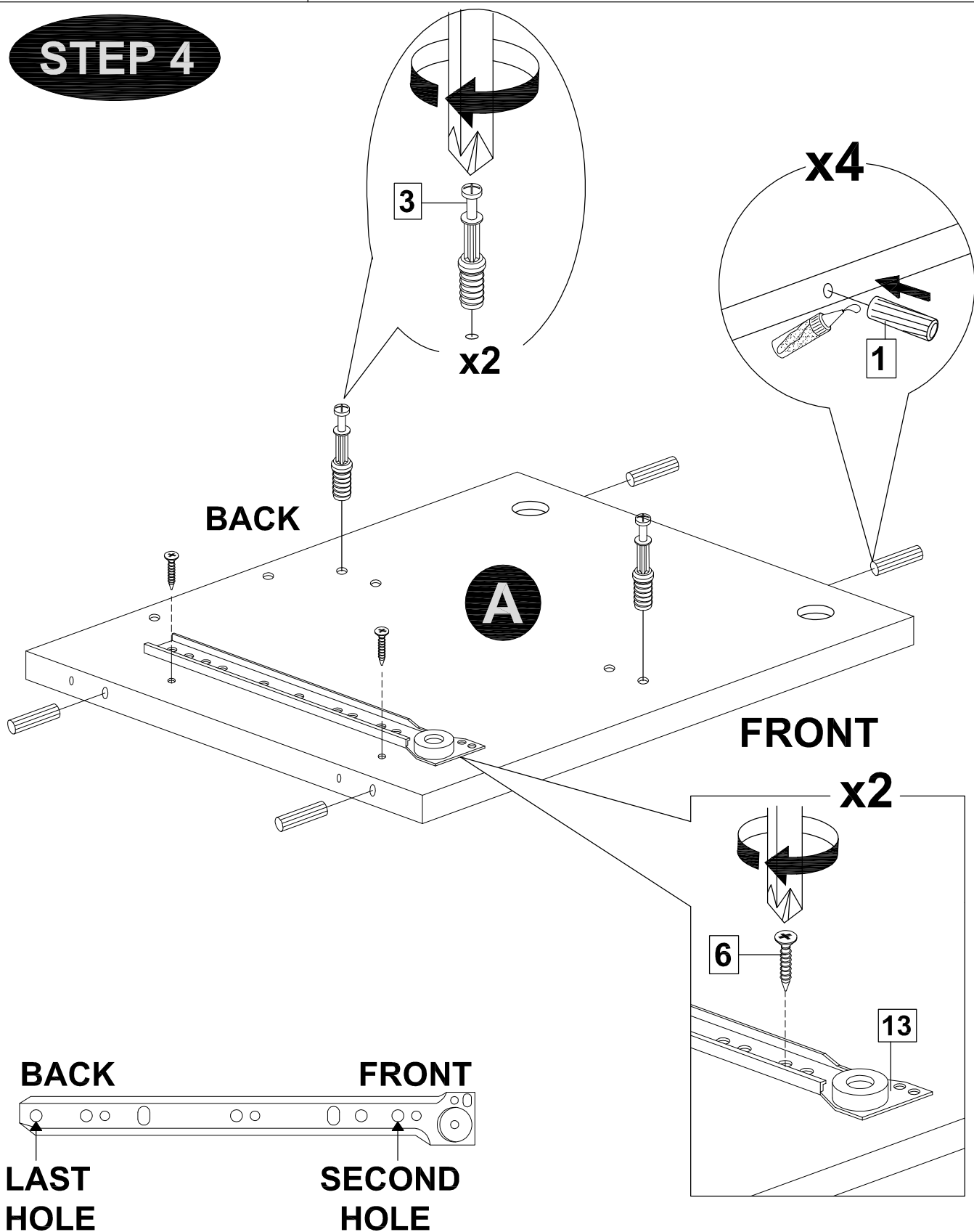
**MODEL NAME:**  
**CAMBOURNE**  
**2 DRAWER FLAT SCREEN TV UNIT**

**STEP 3**



**MODEL NAME:**  
**CAMBOURNE**  
**2 DRAWER FLAT SCREEN TV UNIT**

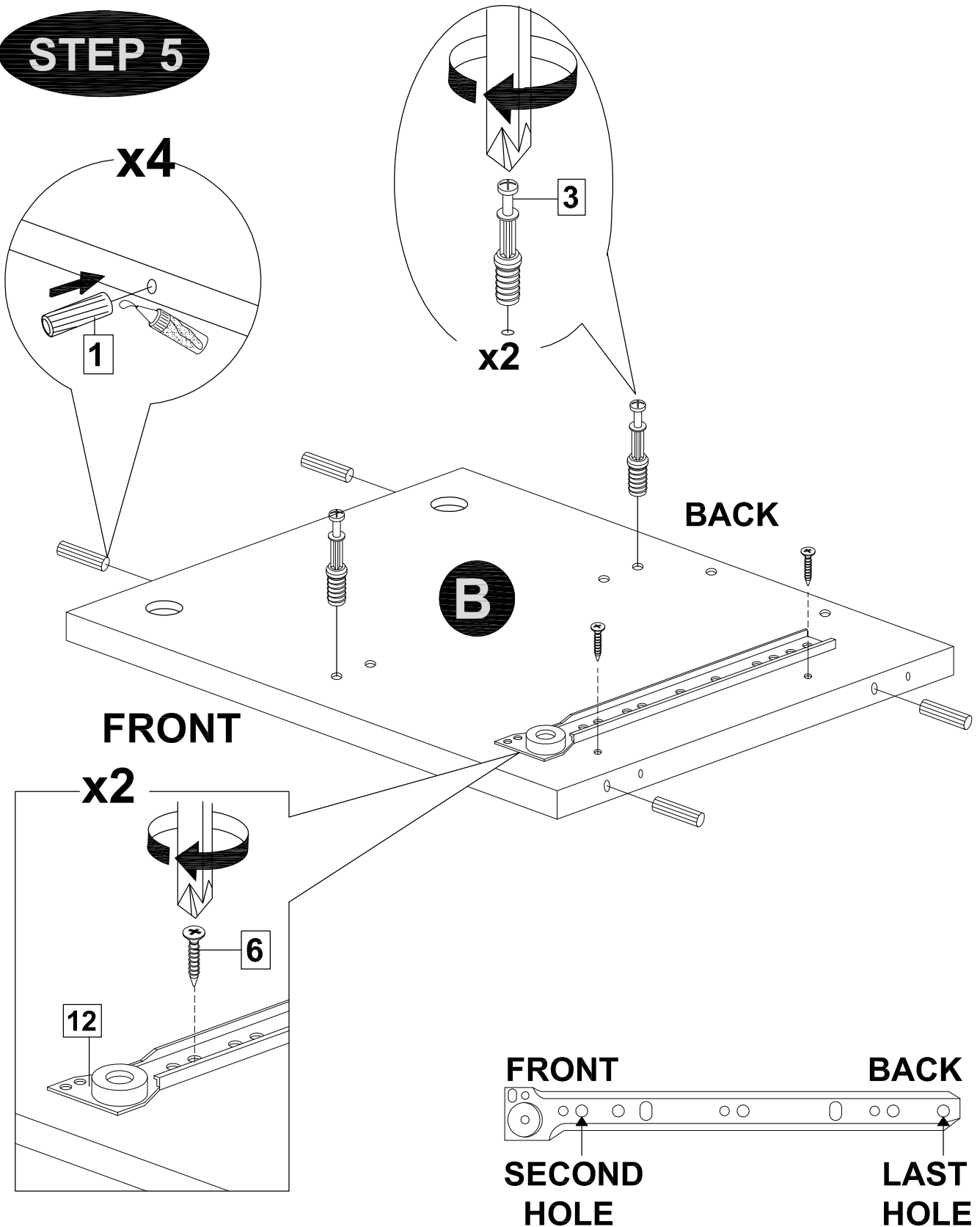
**STEP 4**





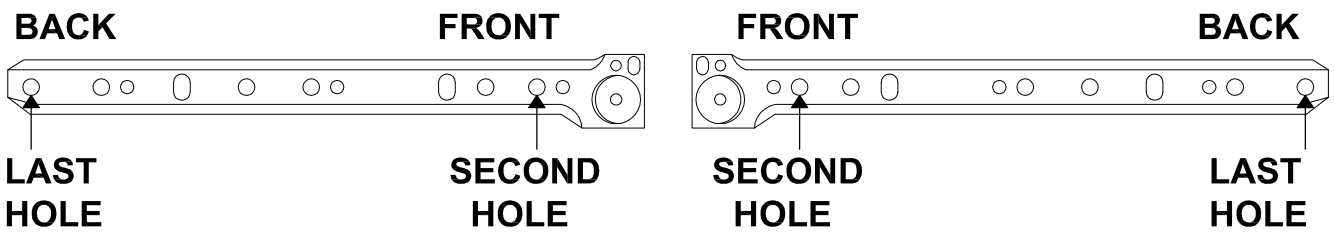
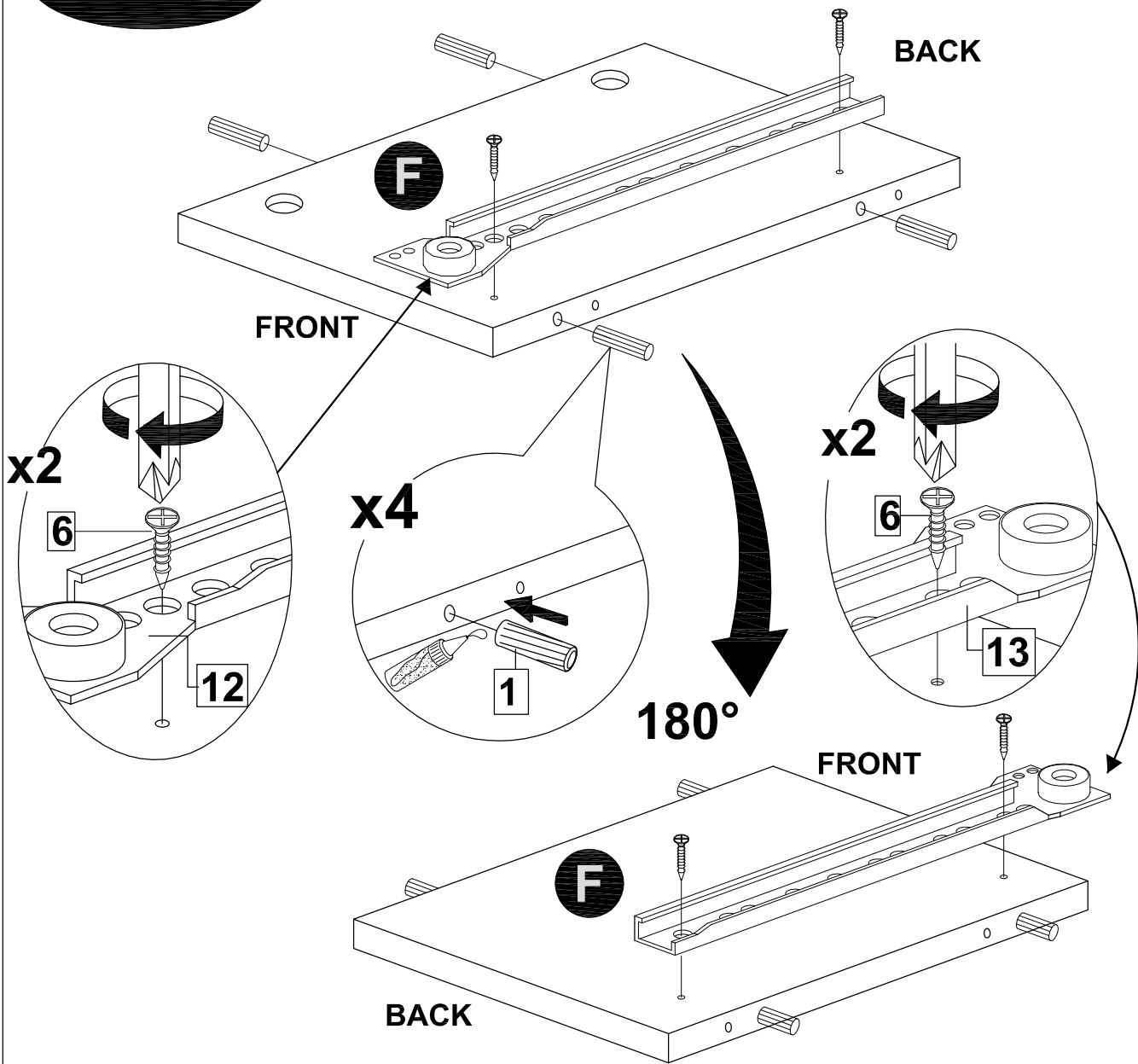
**MODEL NAME:**  
**CAMBOURNE**  
**2 DRAWER FLAT SCREEN TV UNIT**

**STEP 5**



**DESCRIPTION:**  
**CAMBOURNE**  
**2 DRAWER FLAT SCREEN TV UNIT**

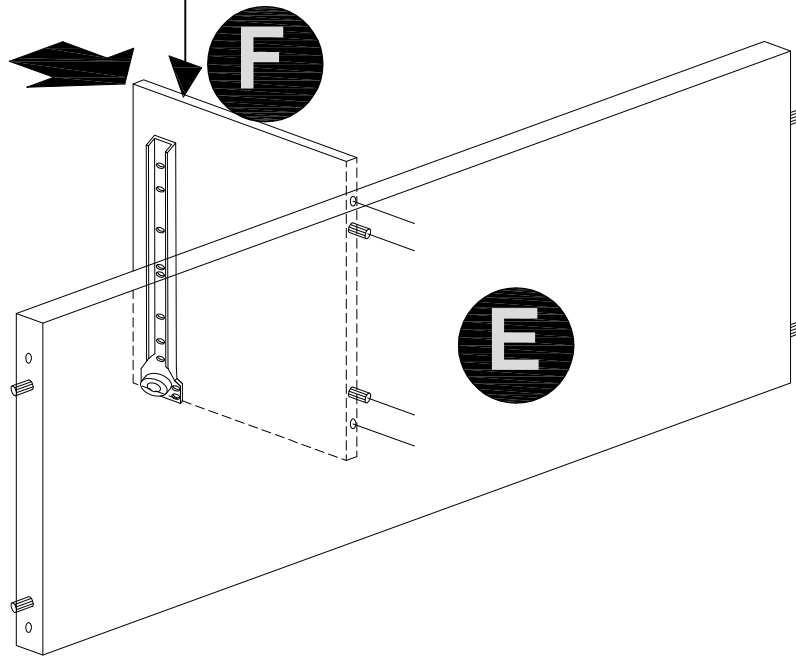
**STEP 6**



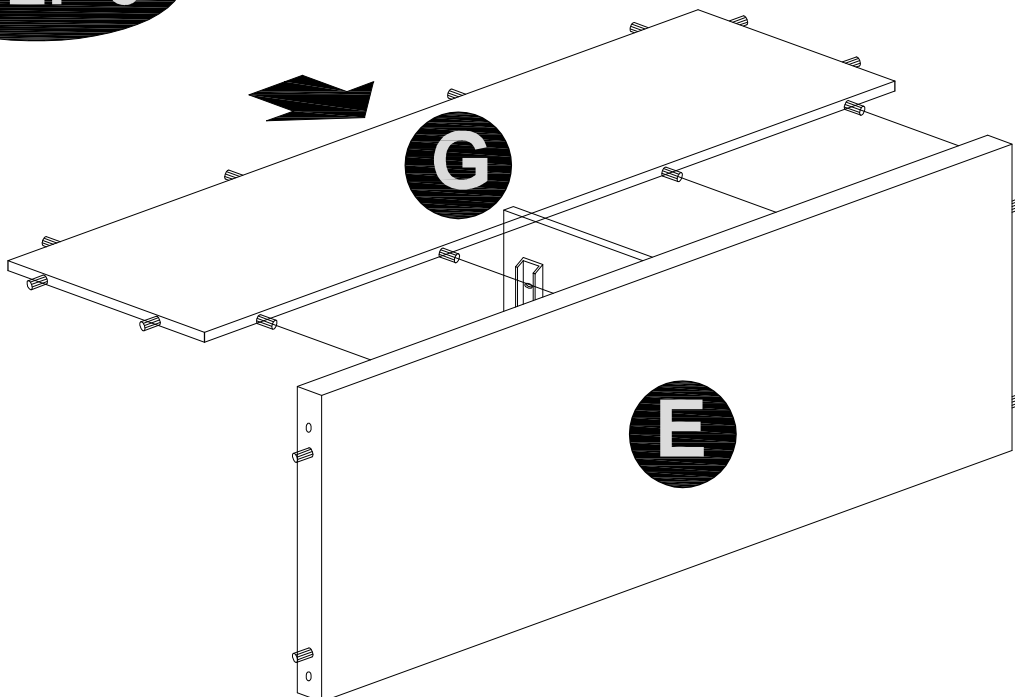
**MODEL NAME:**  
**CAMBOURNE**  
**2 DRAWER FLAT SCREEN TV UNIT**

**STEP 7**

WITHOUT  
EDGING SIDE

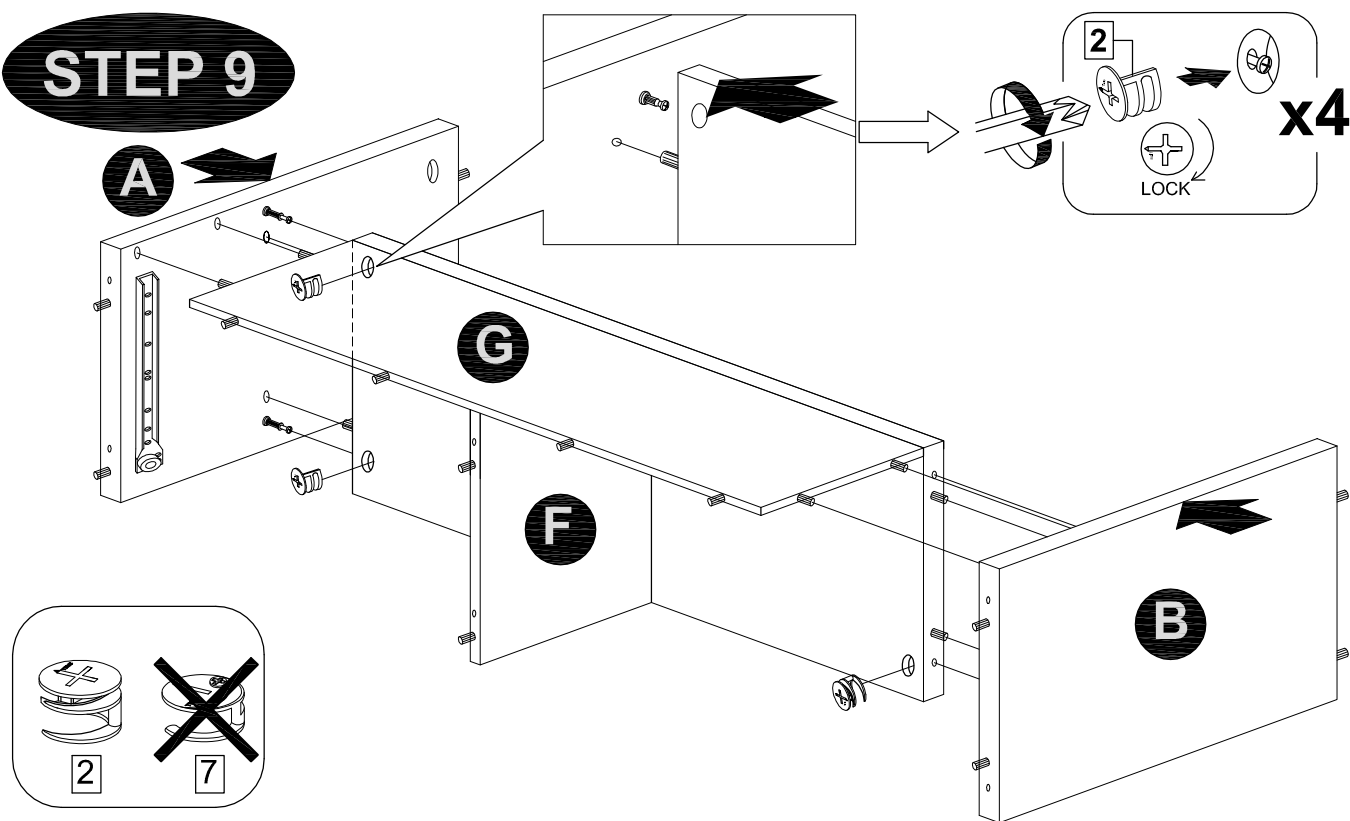


**STEP 8**

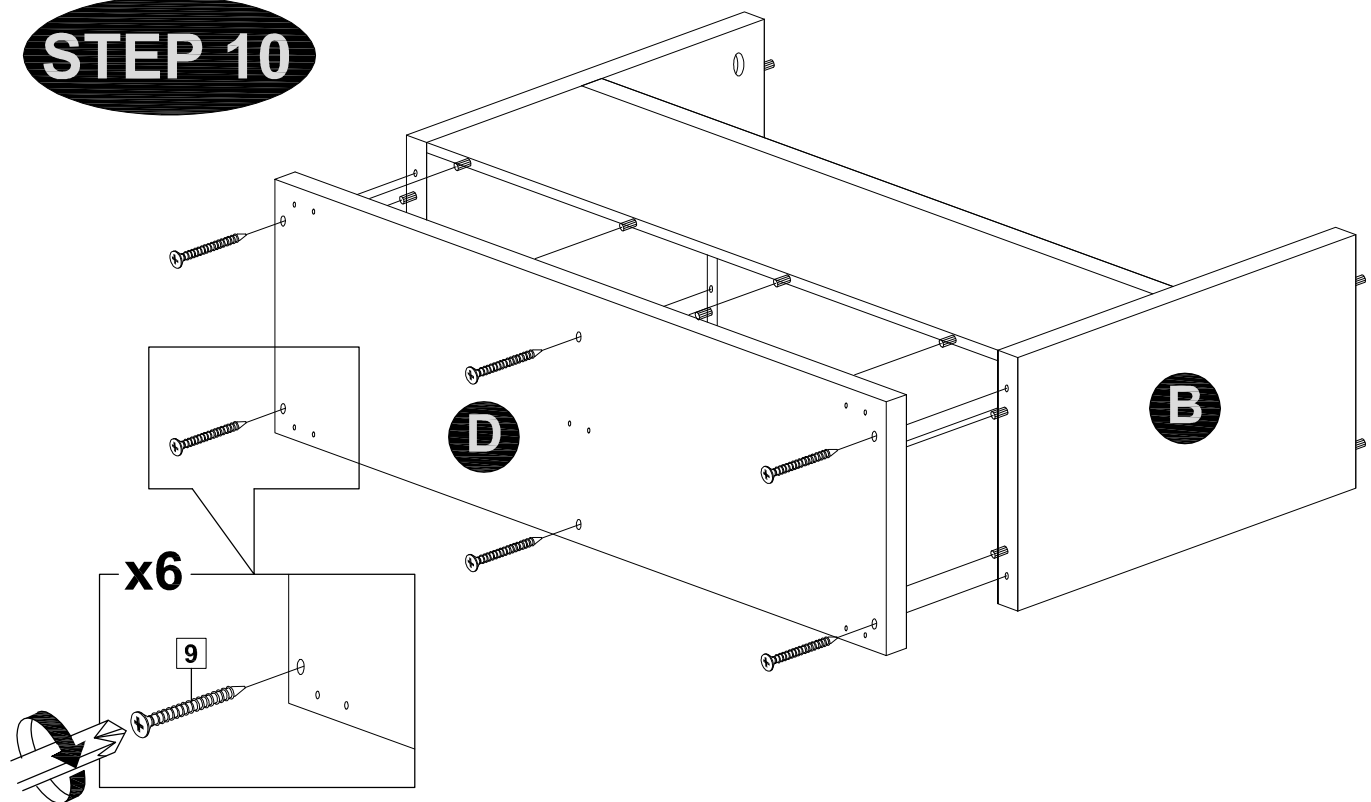


**MODEL NAME:**  
**CAMBOURNE**  
**2 DRAWER FLAT SCREEN TV UNIT**

**STEP 9**

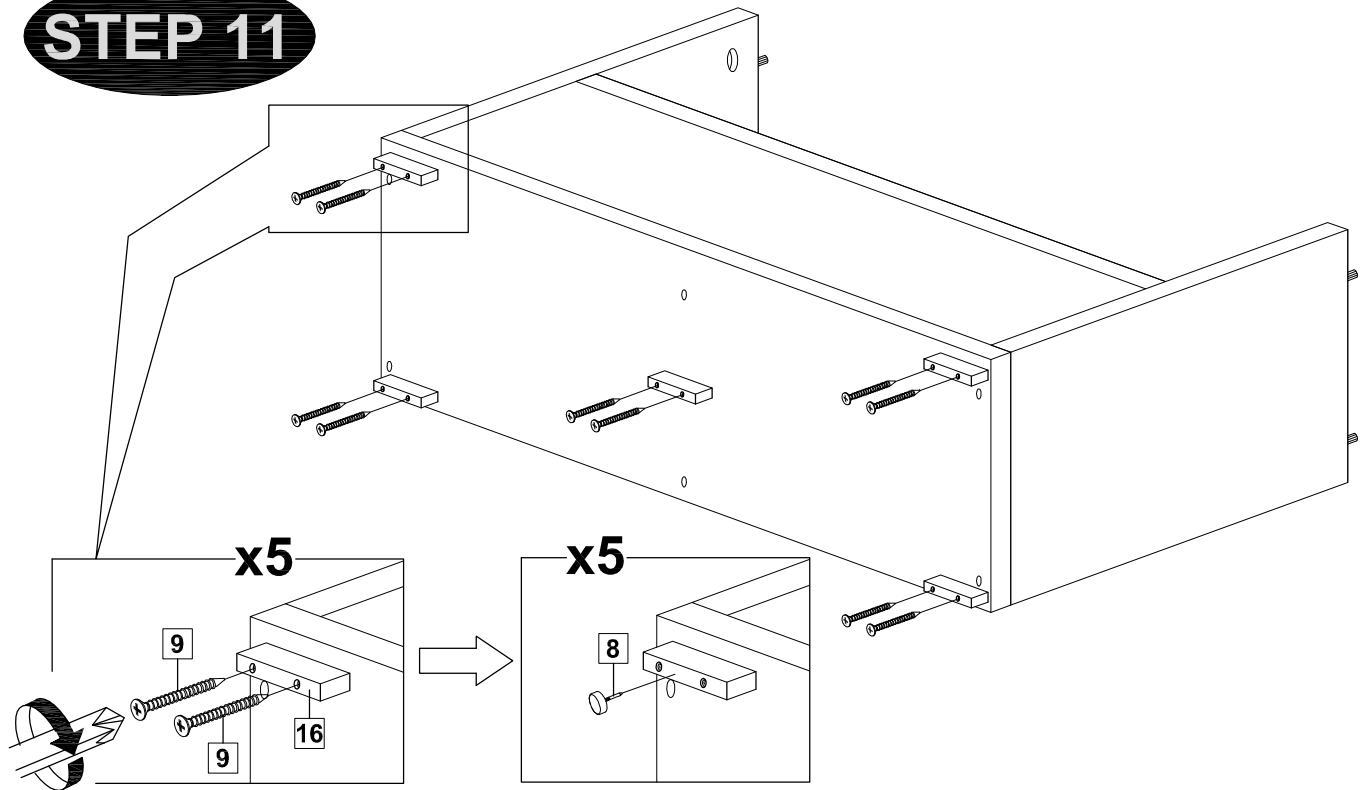


**STEP 10**

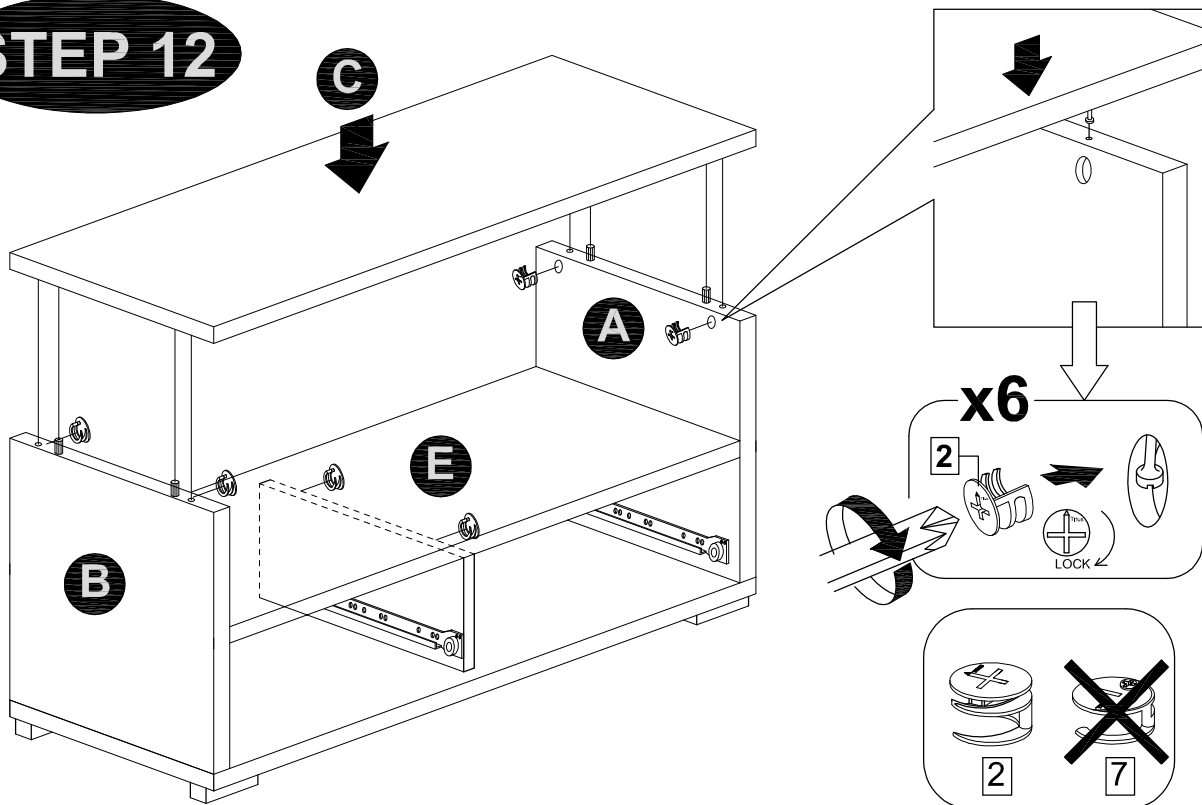


**MODEL NAME:**  
**CAMBOURNE**  
**2 DRAWER FLAT SCREEN TV UNIT**

**STEP 11**



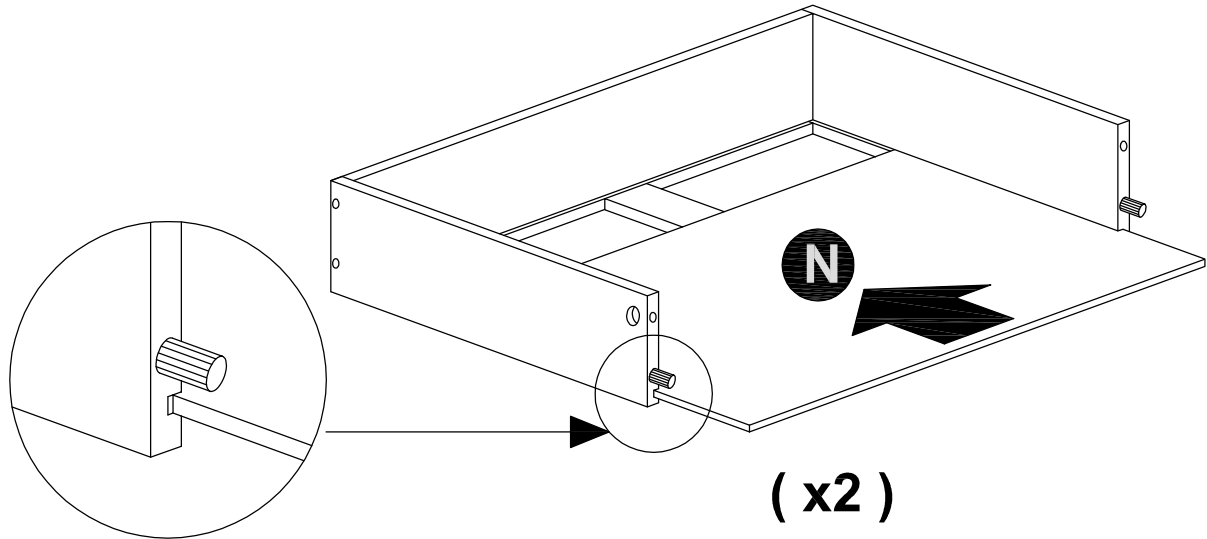
**STEP 12**



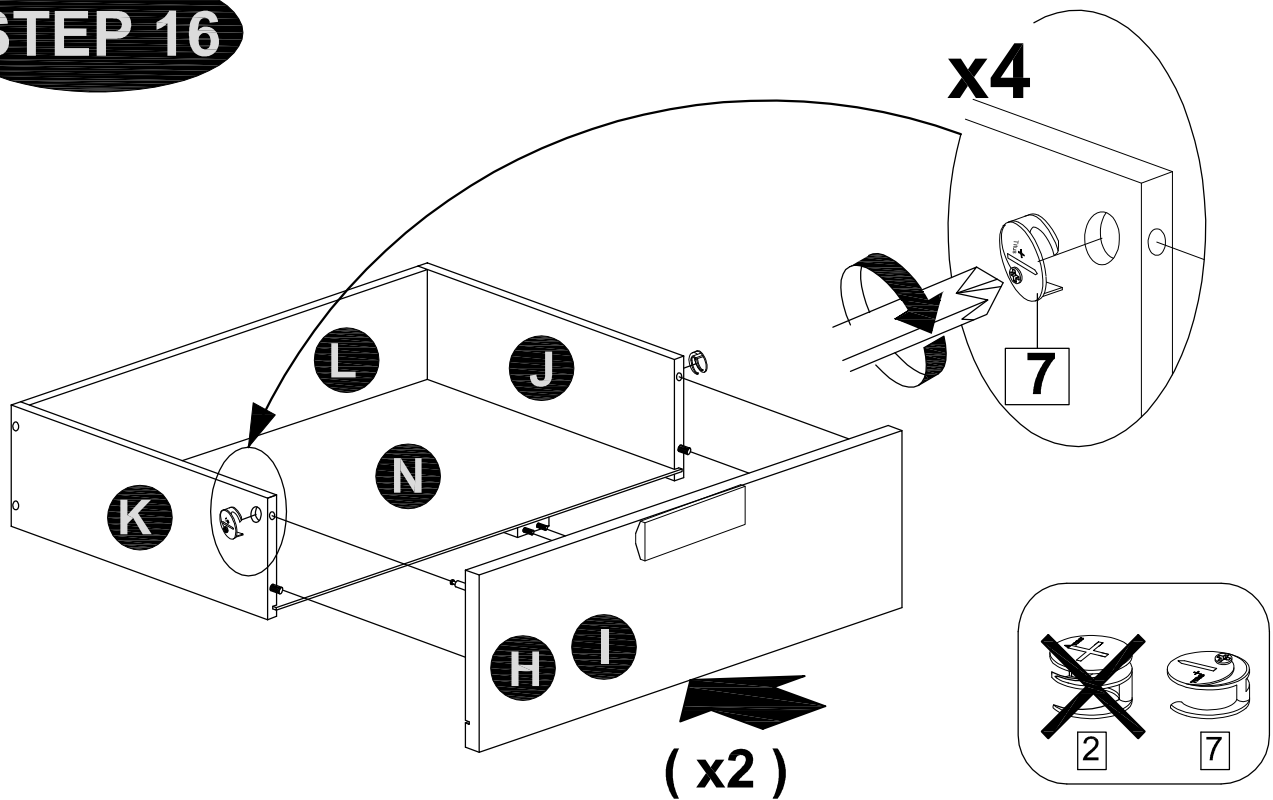


**MODEL NAME:**  
**CAMBOURNE**  
**2 DRAWER FLAT SCREEN TV UNIT**

**STEP 15**

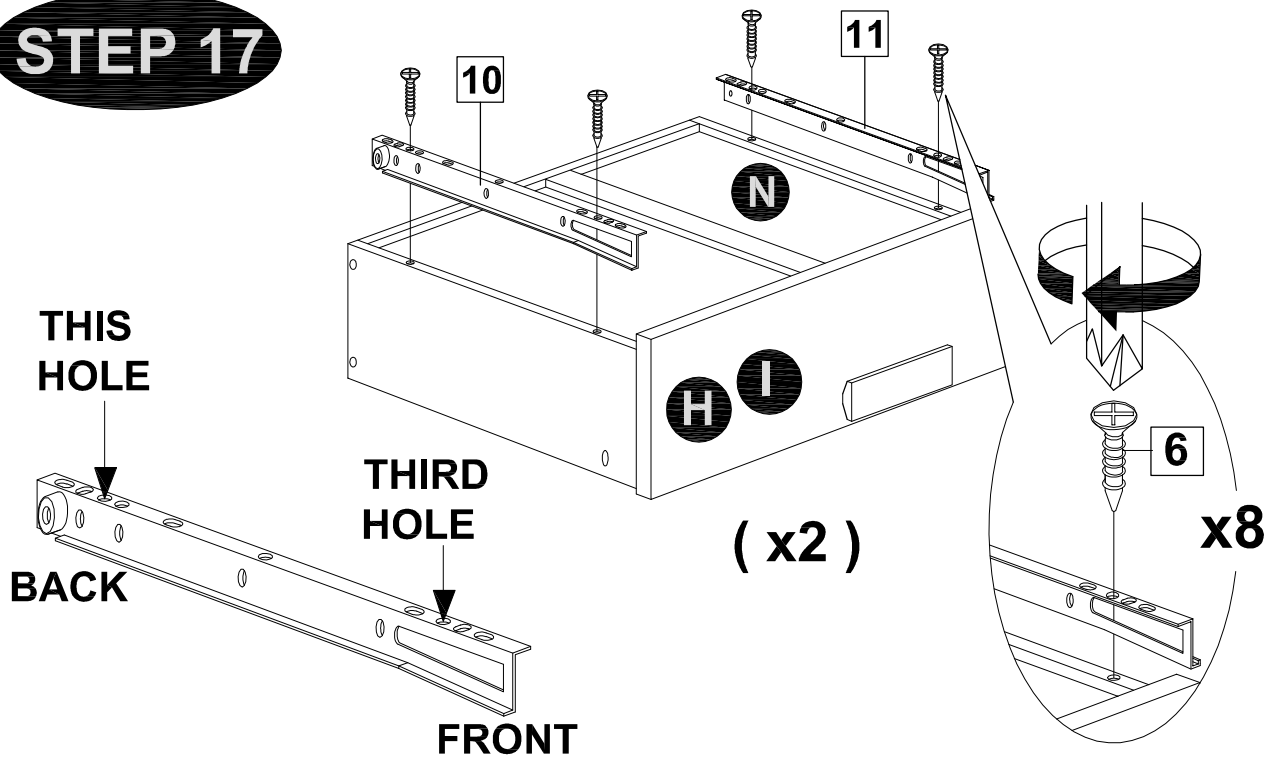


**STEP 16**

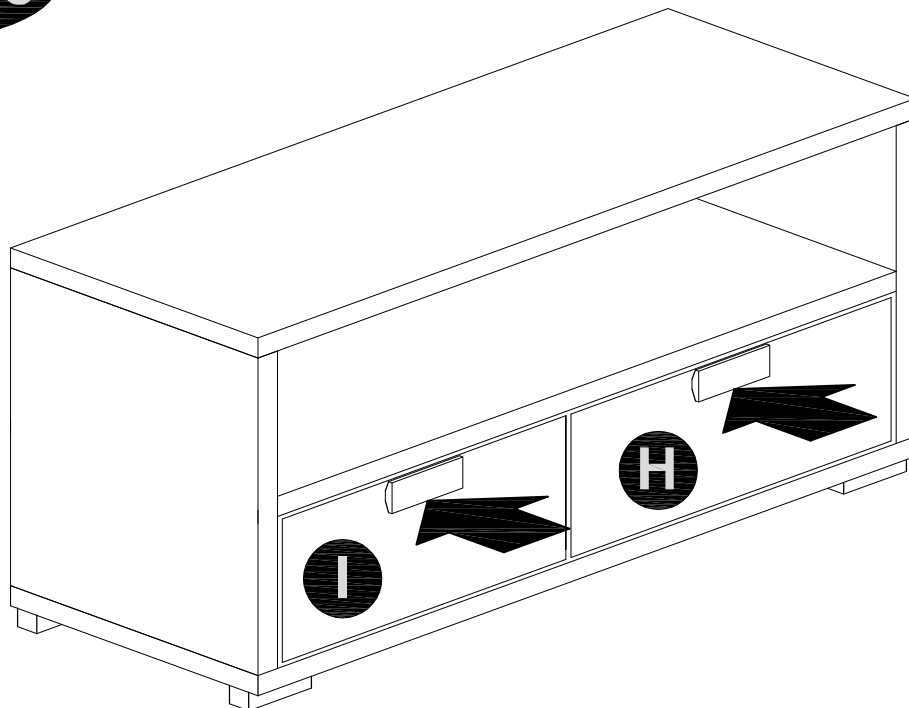


**MODEL NAME:**  
**CAMBOURNE**  
**2 DRAWER FLAT SCREEN TV UNIT**

**STEP 17**



**STEP 18**





**MODEL NAME:**  
**CAMBOURNE**  
**2 DRAWER FLAT SCREEN TV UNIT**

**STEP 19**

