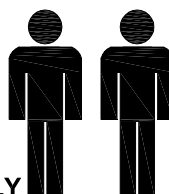


MODEL NAME:
CAMBOURNE
2 DRAWER COFFEE TABLE

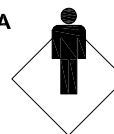
60min

APPROXIMATE ASSEMBLY TIME

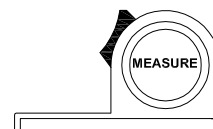
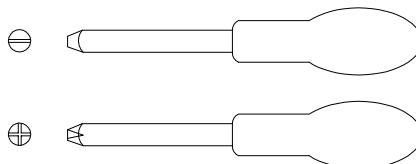
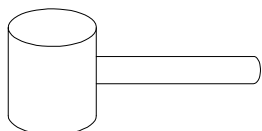
2 PEOPLE FOR ASSEMBLY



FLOOR AREA
 1.0M X1.5M

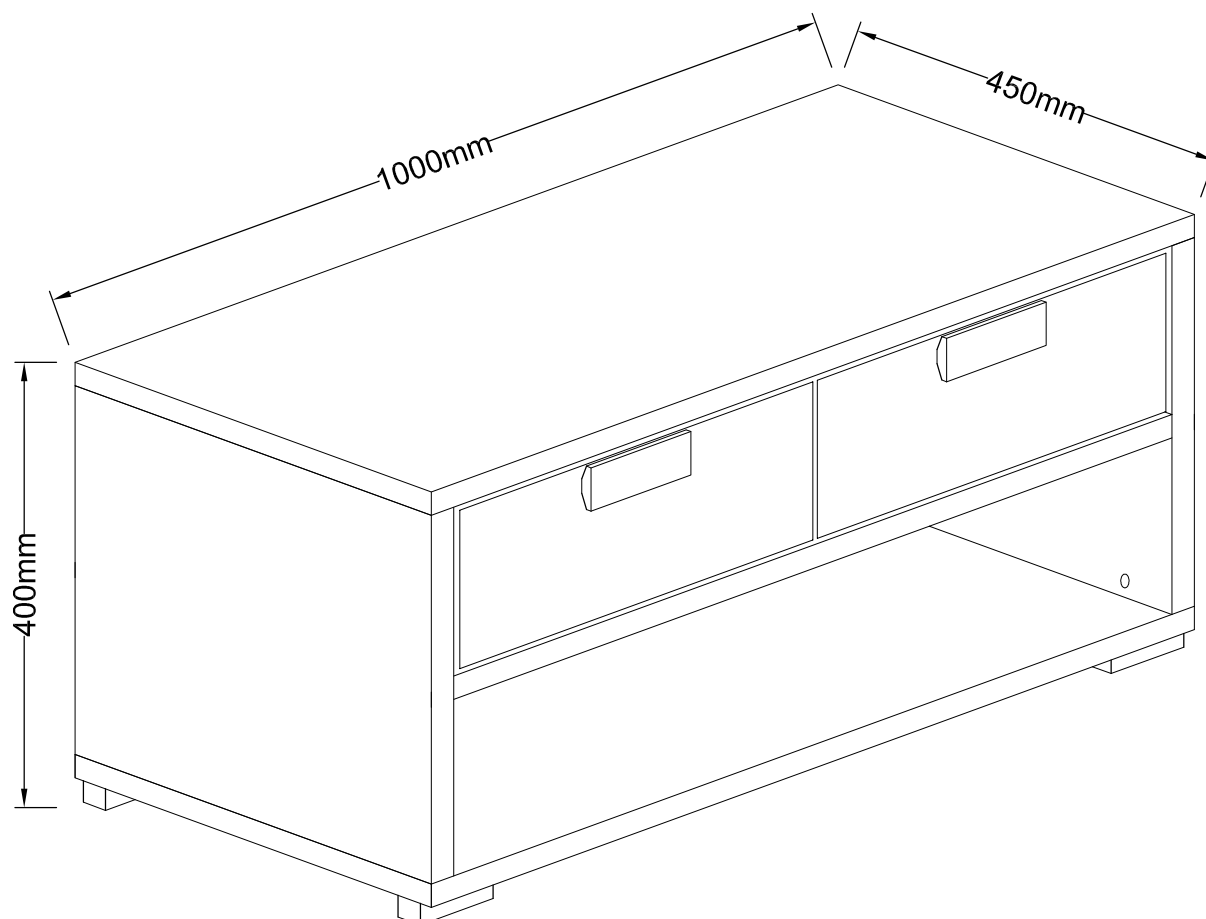


REQUIRED ASSEMBLY SPACE



REQUIRED ASSEMBLY TOOLS

ASSEMBLED DIMENSIONS



NOTE : THE MAXIMUM WEIGHT THIS PRODUCT CAN HOLD UP TO IS 25 KGS.

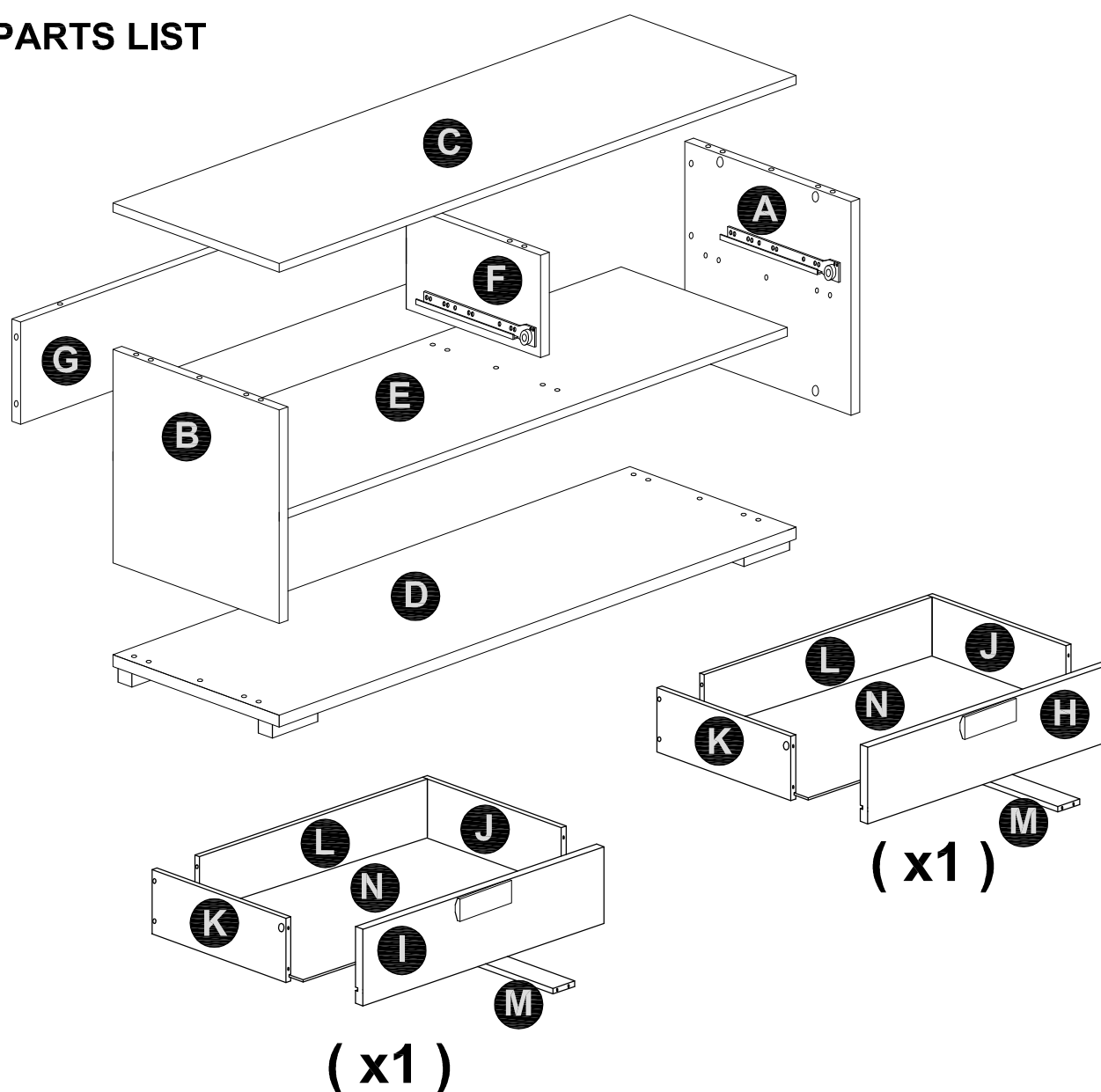
MODEL NAME:

CAMBOURNE

2 DRAWER COFFEE TABLE

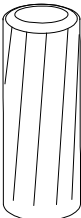

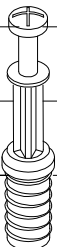
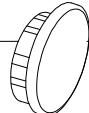



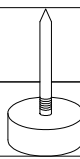
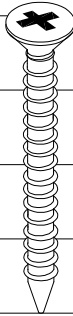
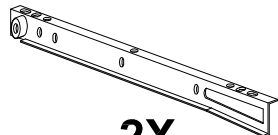
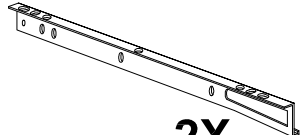
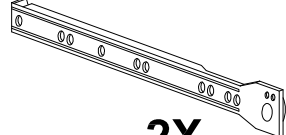
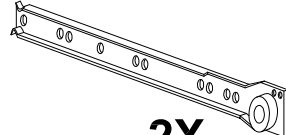
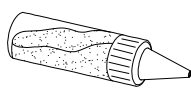
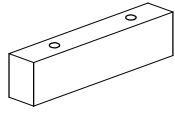
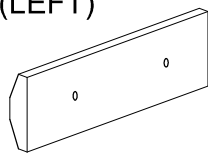
NO.	PART LIST	QTY	NO.	PART LIST	QTY
(A)	RIGHT SIDE PANEL	1	(H)	DRAWER FRONT (RIGHT)	1
(B)	LEFT SIDE PANEL	1	(I)	DRAWER FRONT (LEFT)	1
(C)	TOP PANEL	1	(J)	DRAWER SIDE (RIGHT)	2
(D)	BOTTOM PANEL	1	(K)	DRAWER SIDE (LEFT)	2
(E)	FIXED PANEL	1	(L)	DRAWER BACK PANEL	2
(F)	DRAWER DIVIDE	1	(M)	DRAWER BASE SUPPORT	2
(G)	BACK PANEL	1	(N)	DRAWER BASE	2

PARTS LIST



MODEL NAME:
CAMBOURNE
2 DRAWER COFFEE TABLE

HARDWARE LIST

					4cm
					3cm
					2cm
					1cm
					0cm
					
44X Dia.6 x 30mm	14X Dia.15mm	18X M6.5	4X Dia 15mm	16X M3.5 x 25mm	
1	2	3	4	5	
WOOD DOWEL	CAM-LOCK	CAM BOLT	CAMLOCK COVER	FLAT HEAD SCREW	
					4cm
					3cm
					2cm
					1cm
					0cm
					
16X M3.5 x 12mm	4X Dia.15mm	5X	12X M5 x 40mm		
6	7	8	9		
FLAT HEAD SCREW	DRAWER CAM-LOCK	FOOT	FLAT HEAD SCREW		
					
2X	2X	2X	2X		
10	11	12	13		
DRAWER RUNNER (RIGHT)	DRAWER RUNNER (LEFT)	DRAWER RUNNER (LEFT)	DRAWER RUNNER (RIGHT)		
					
2X	5X	2X			
14	15	16			
GLUE 10CC	LEG	HANDLE			

MODEL NAME:
CAMBOURNE
2 DRAWER COFFEE TABLE

Top Tips before you start!

1. Please check that all parts are present before you start the assembly of your furniture.
2. For ease and speed of assembly, we recommend that before you commence each step of the assembly, that you identify all the parts required for that step.
3. For larger items, please ensure that you have sufficient space and people (as indicated on page 1) to assemble your product safely
4. We recommend that, where possible, all items are assembled near to the area in which they will be placed in use, to avoid moving the product unnecessarily once assembled.
5. For the protection of your furniture, particularly items of high gloss finish, we recommend that the product is placed on a protected surface during assembly to prevent any damage.
6. During assembly please take care not to over-tighten any fittings, as this may damage the product.
7. Always place the product on a flat, steady and stable surface.
8. Do not sit or stand on the product.
Do not use the product as a stepladder.
9. This product is intended for indoor, household use only as it is non industrial product.
10. This product is constructed from re-inforced hollow board. Excessive pressure will cause irreparable damage. Please do not kneel on any part of this product during assembly.

Care and Maintenance of your Furniture

- Please periodically check all fittings and re-tighten as necessary.
- For cleaning, you may use a damp cloth (not wet) do not use polish, detergent or chemical cleaners.
- Never allow any kind of liquid to remain on your furniture.
- Please do not place hot items (e.g. hot drinks) directly on to the wood surface.
- Please do not drag and pull your furniture.

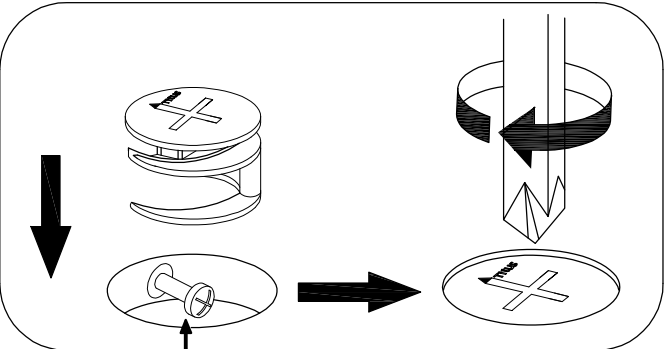
MODEL NAME:
CAMBOURNE
2 DRAWER COFFEE TABLE

SPECIAL TIPS FOR FITTING CAM-LOCKS AND CAM BOLT

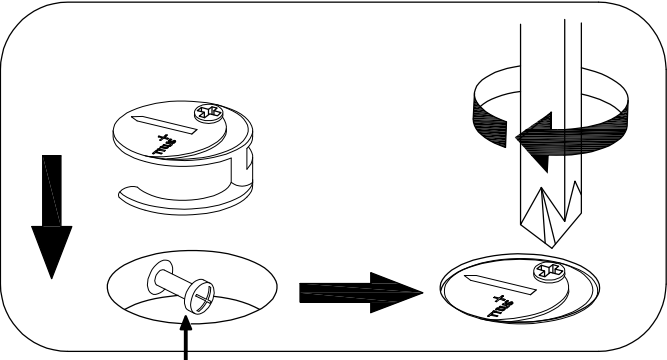


WHEN FITTING CAM-LOCK
 ENSURE STARTING POSITION IS CORRECT
 BEFORE YOU INSERT CONNECTING CAMBOLT
 TURN CLOCKWISE UNTIL SECURE

CORRECT **WRONG**

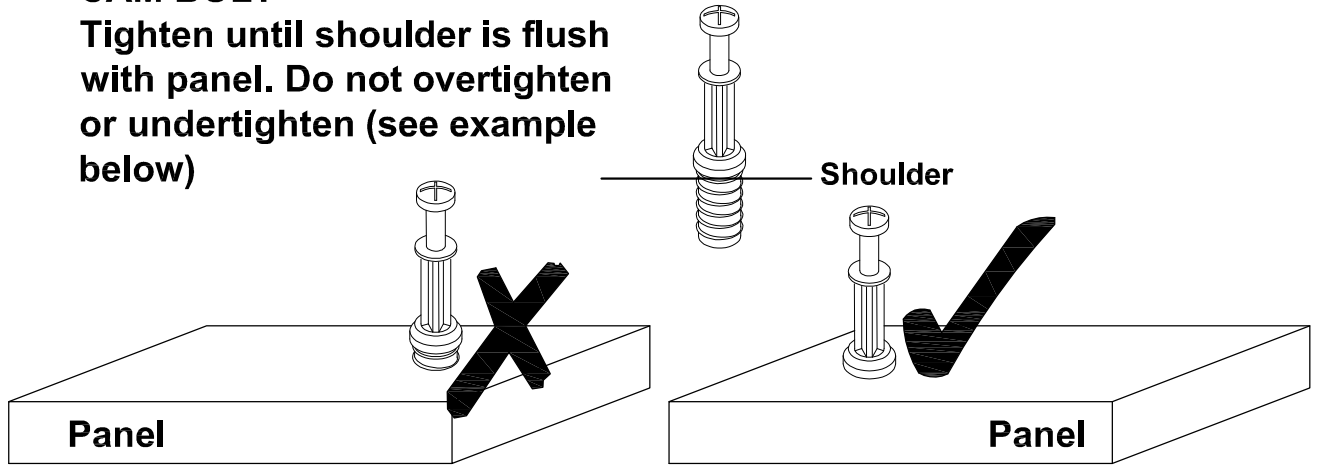


Cam bolt head needs to be in centre



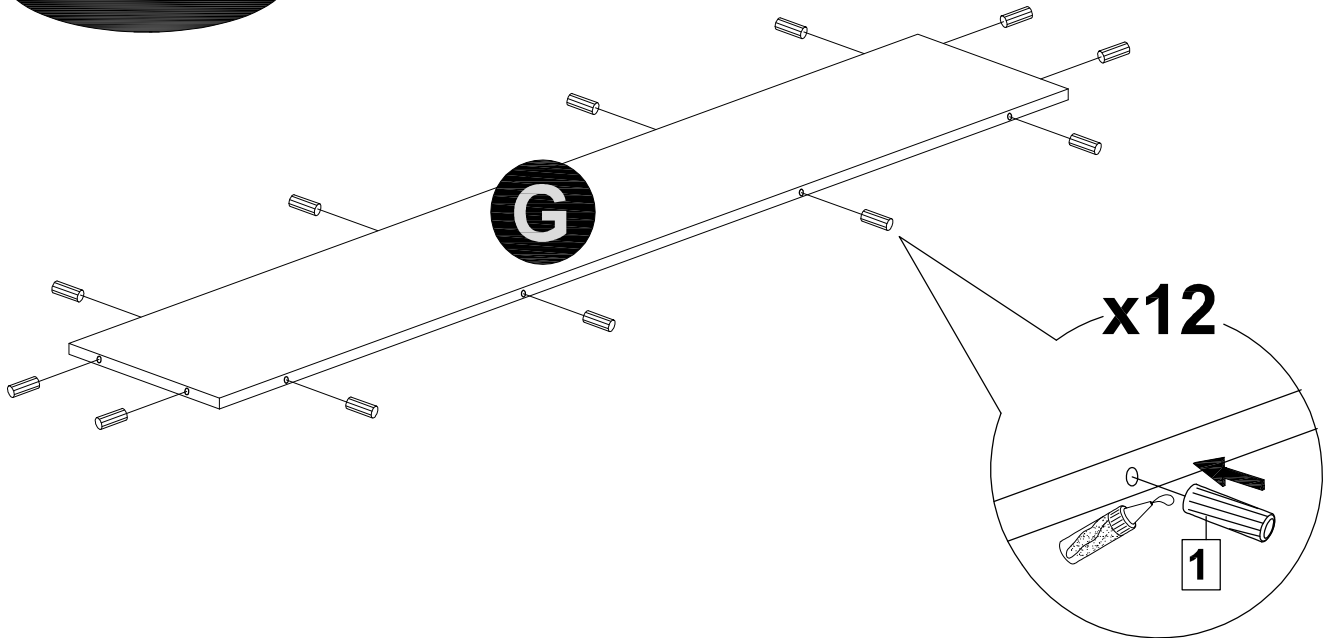
Cam bolt head needs to be in centre

CAM BOLT
 Tighten until shoulder is flush with panel. Do not overtighten or undertighten (see example below)

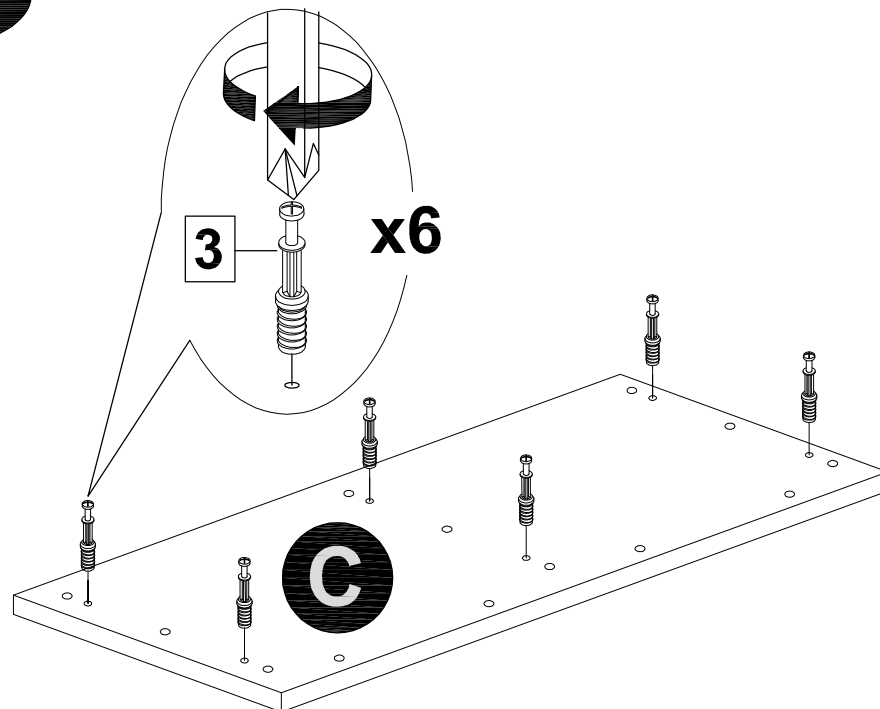


MODEL NAME:
CAMBOURNE
2 DRAWER COFFEE TABLE

STEP 1

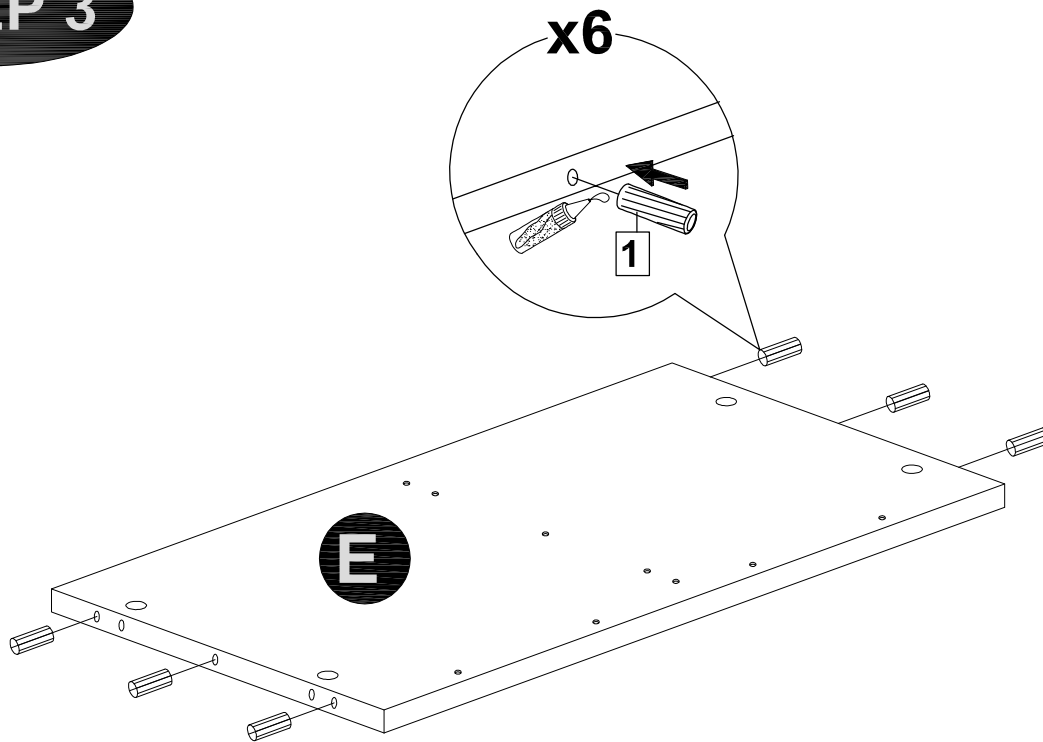


STEP 2

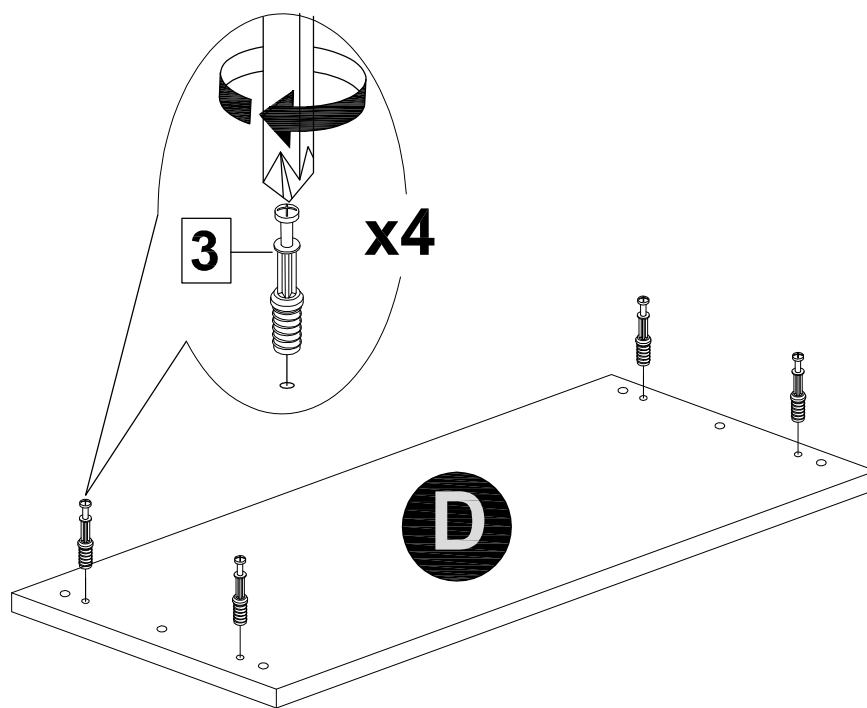


MODEL NAME:
CAMBOURNE
2 DRAWER COFFEE TABLE

STEP 3

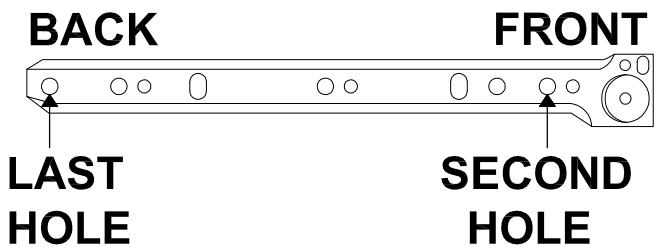
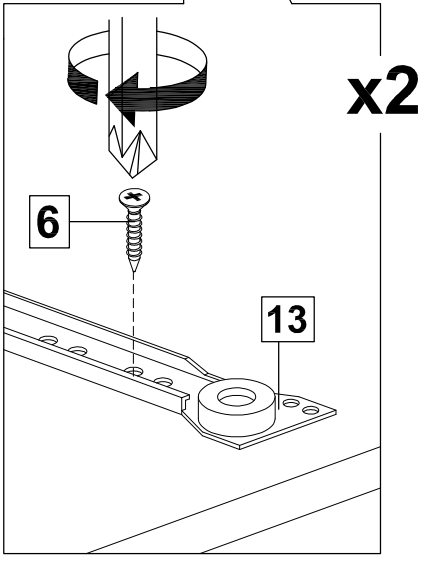
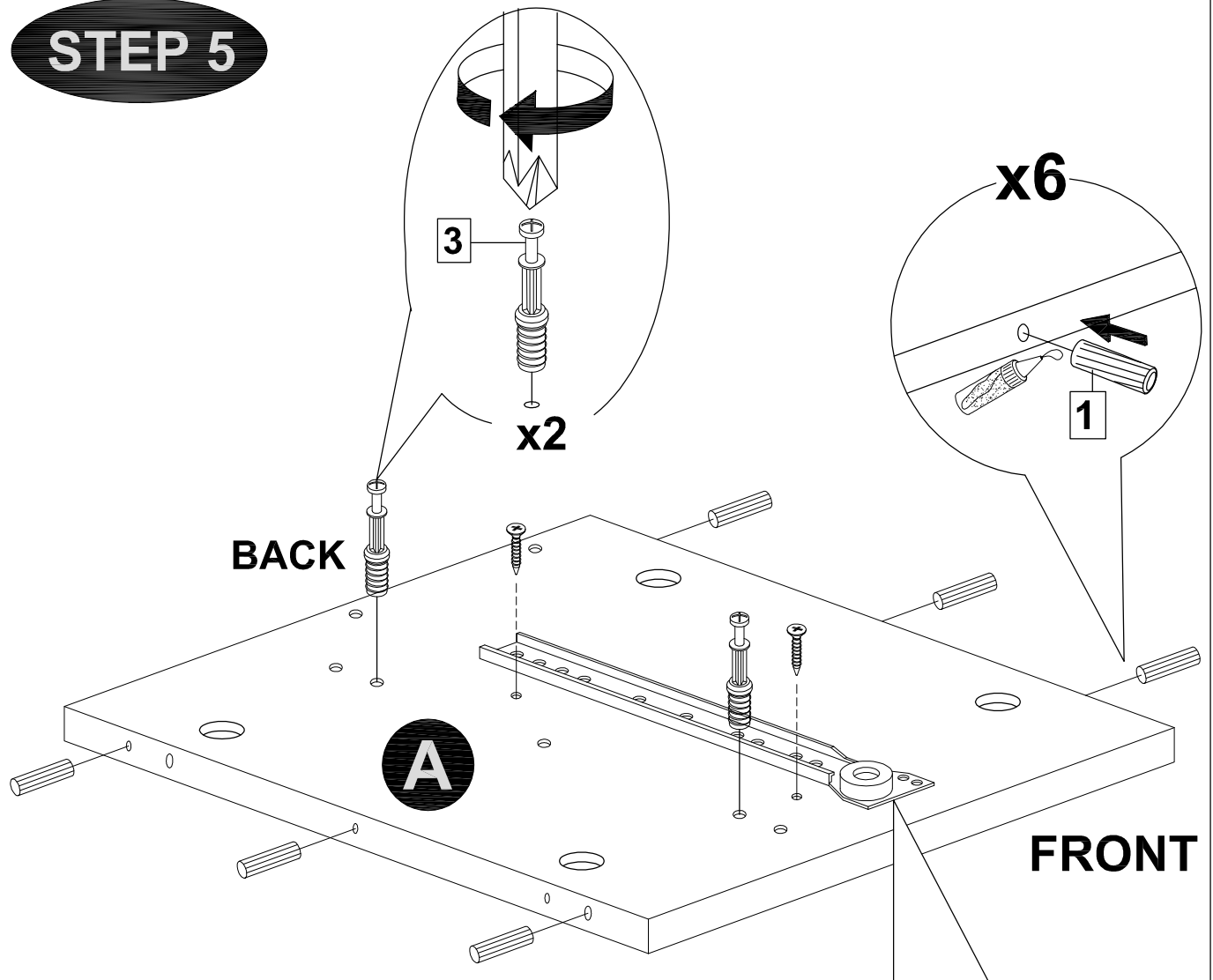


STEP 4



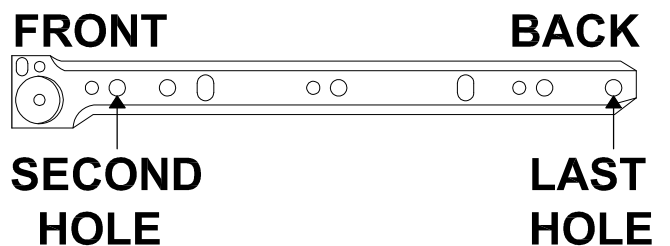
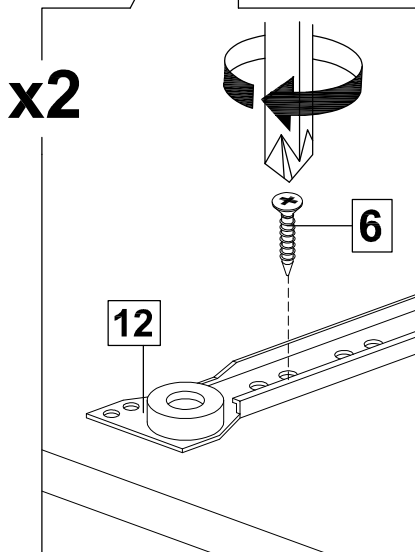
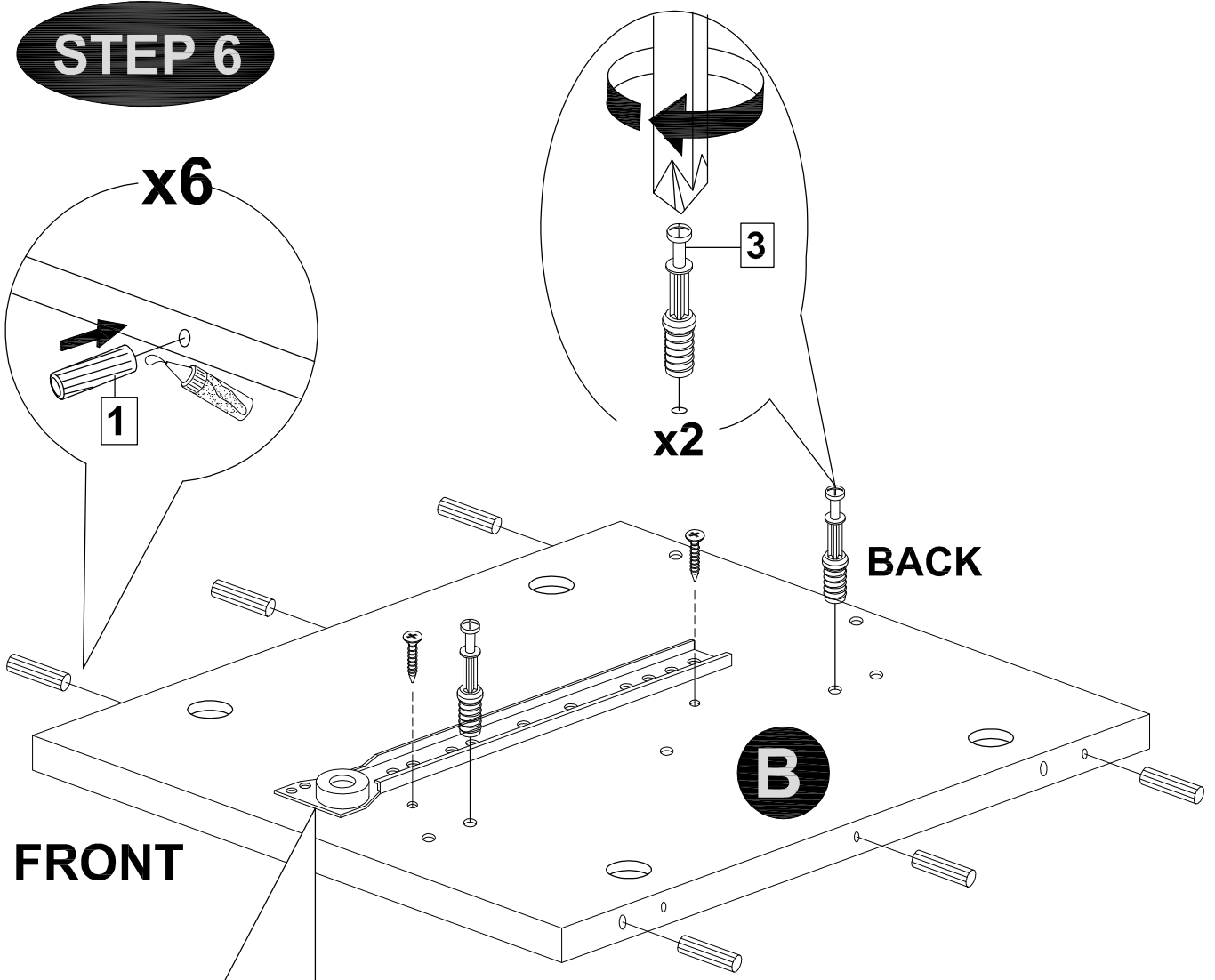
MODEL NAME:
CAMBOURNE
2 DRAWER COFFEE TABLE

STEP 5



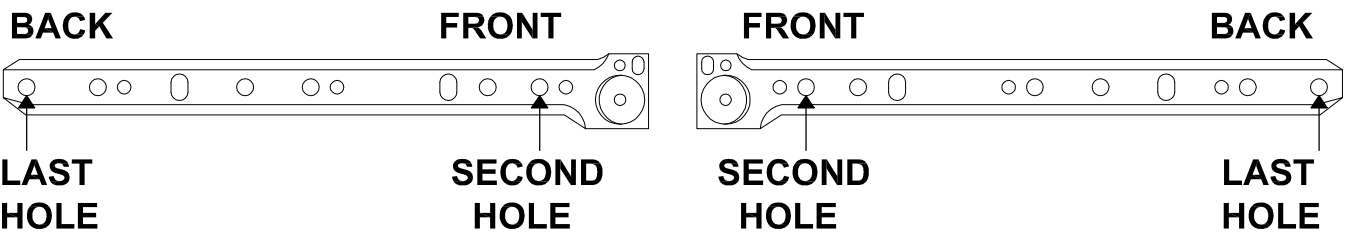
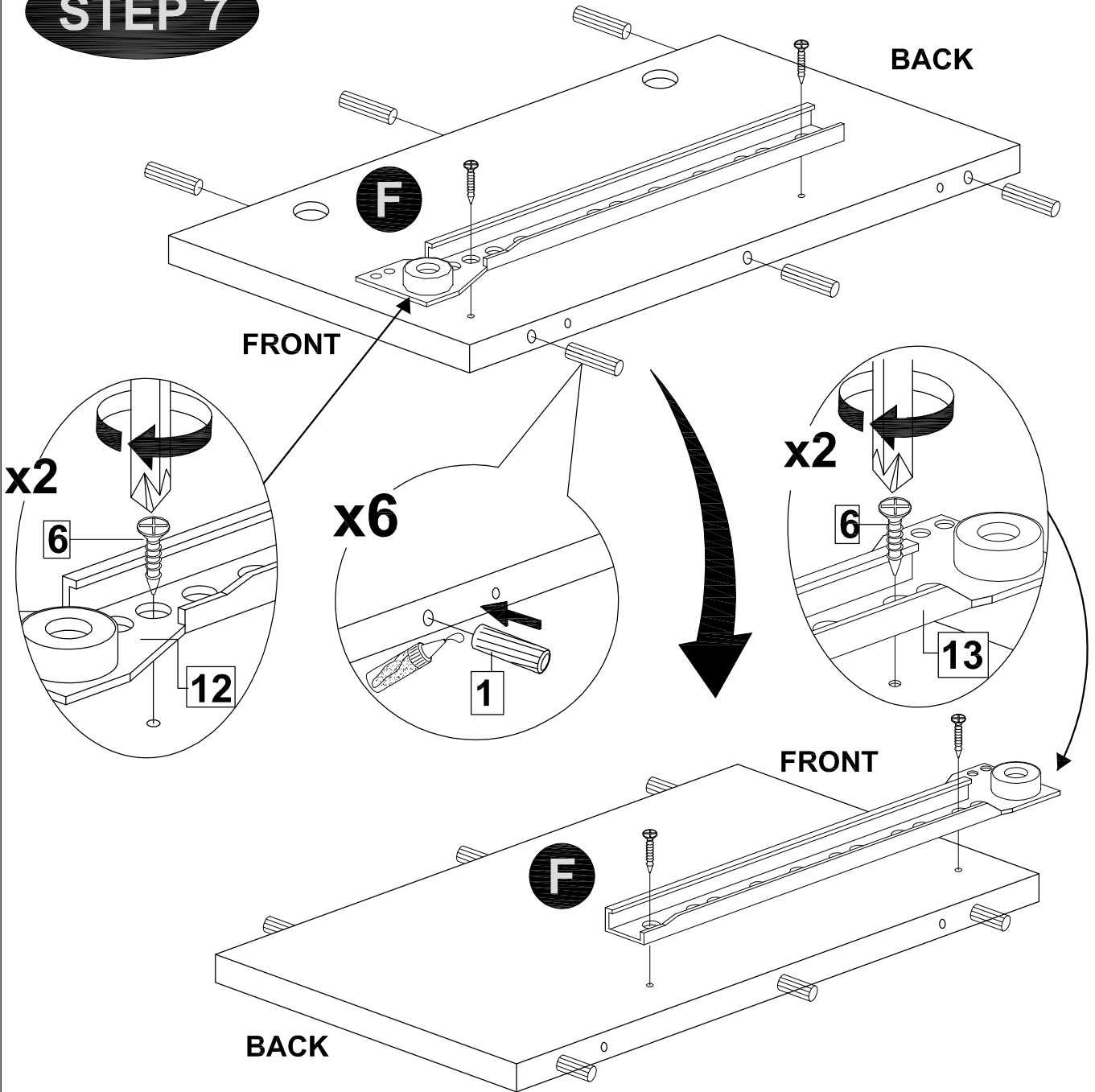
MODEL NAME:
CAMBOURNE
2 DRAWER COFFEE TABLE

STEP 6



DESCRIPTION:
CAMBOURNE
2 DRAWER COFFEE TABLE

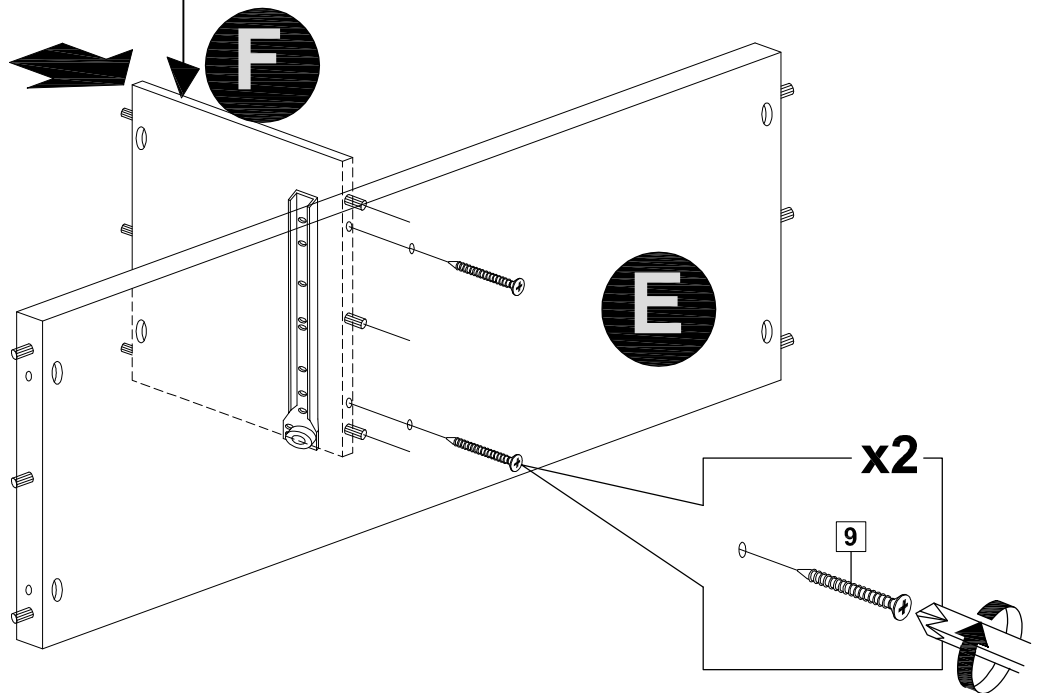
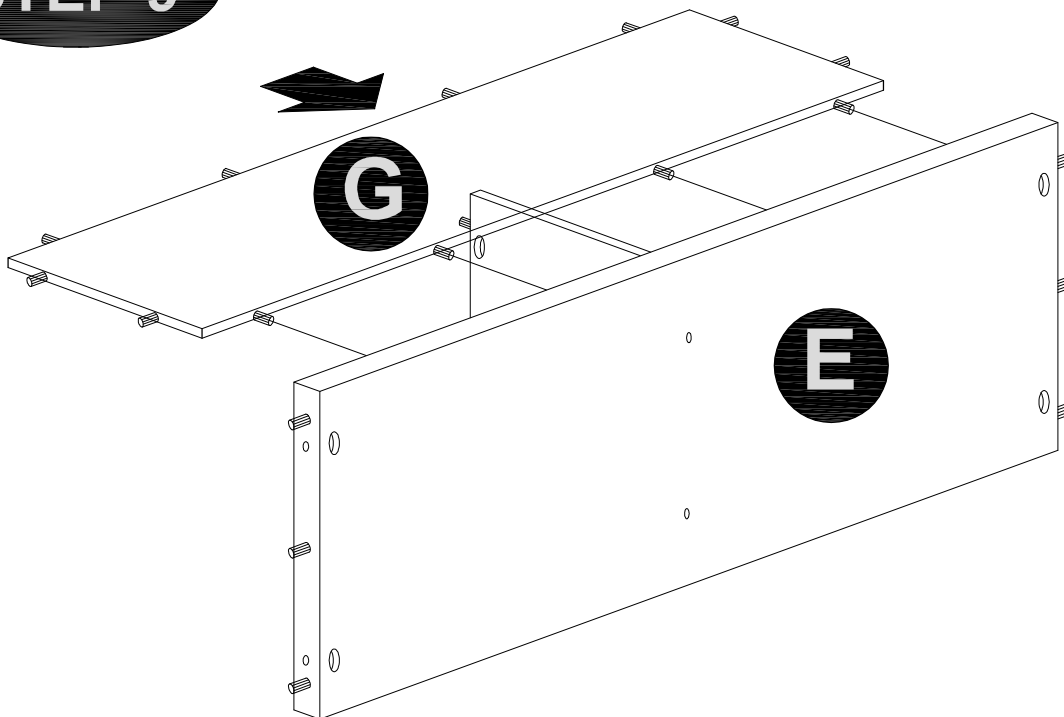
STEP 7



MODEL NAME:
CAMBOURNE
2 DRAWER COFFEE TABLE

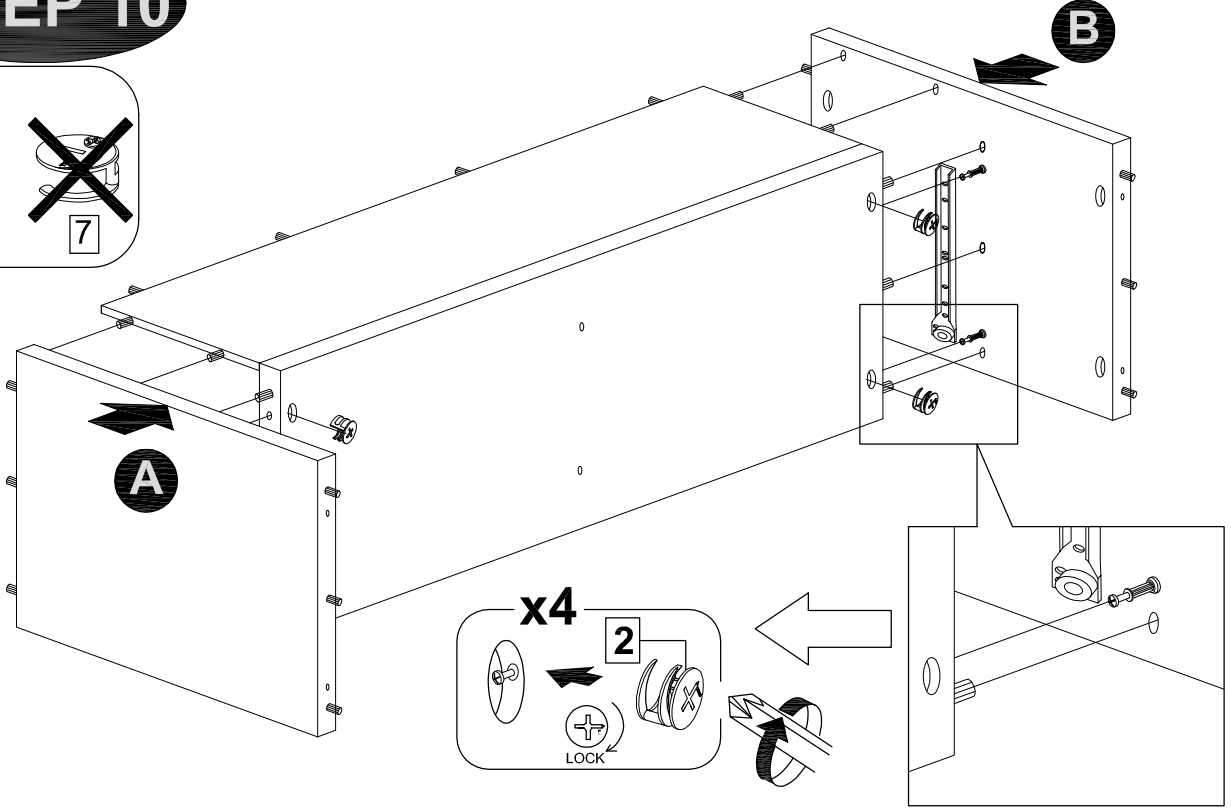
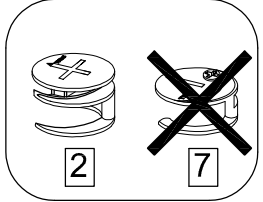
STEP 8

WITHOUT
EDGING SIDE

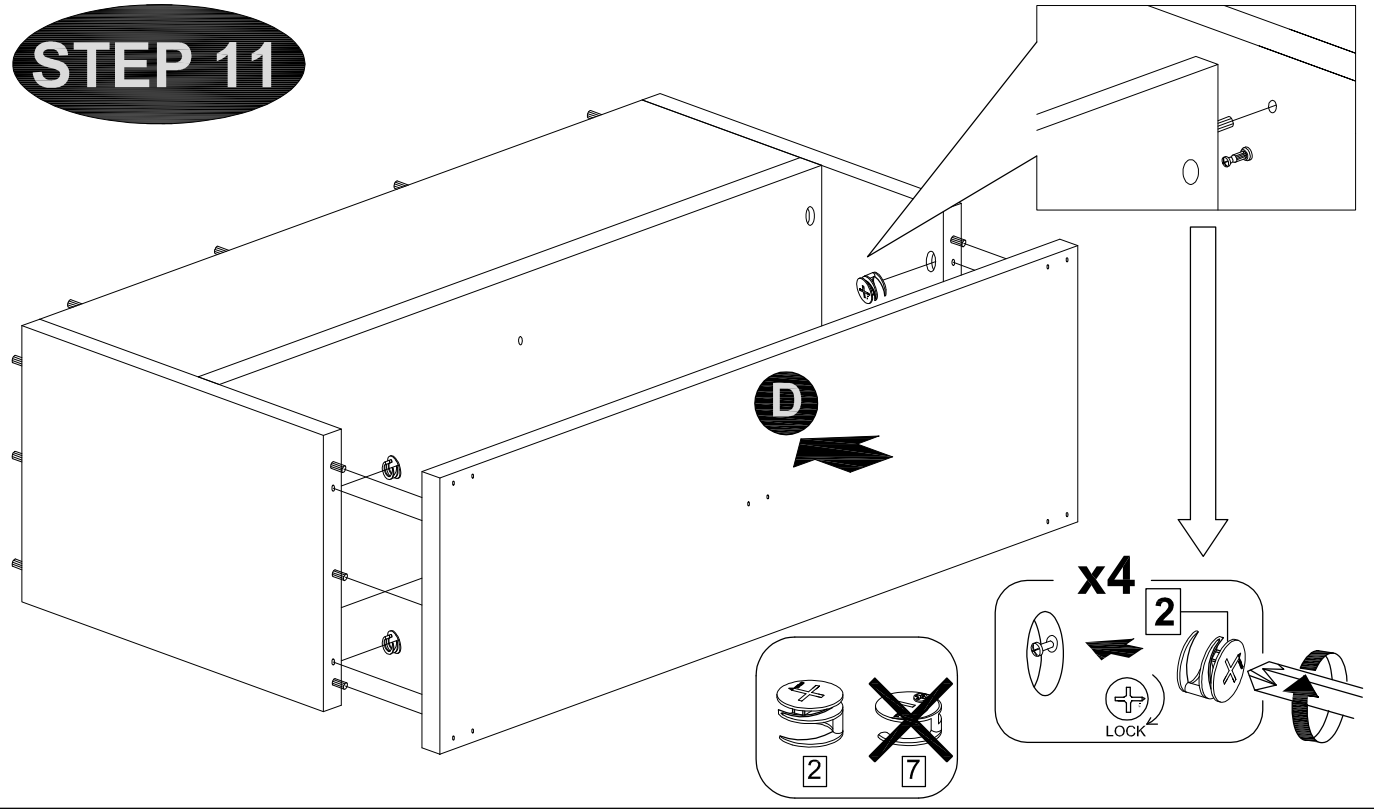
**STEP 9**

MODEL NAME:
CAMBOURNE
2 DRAWER COFFEE TABLE

STEP 10

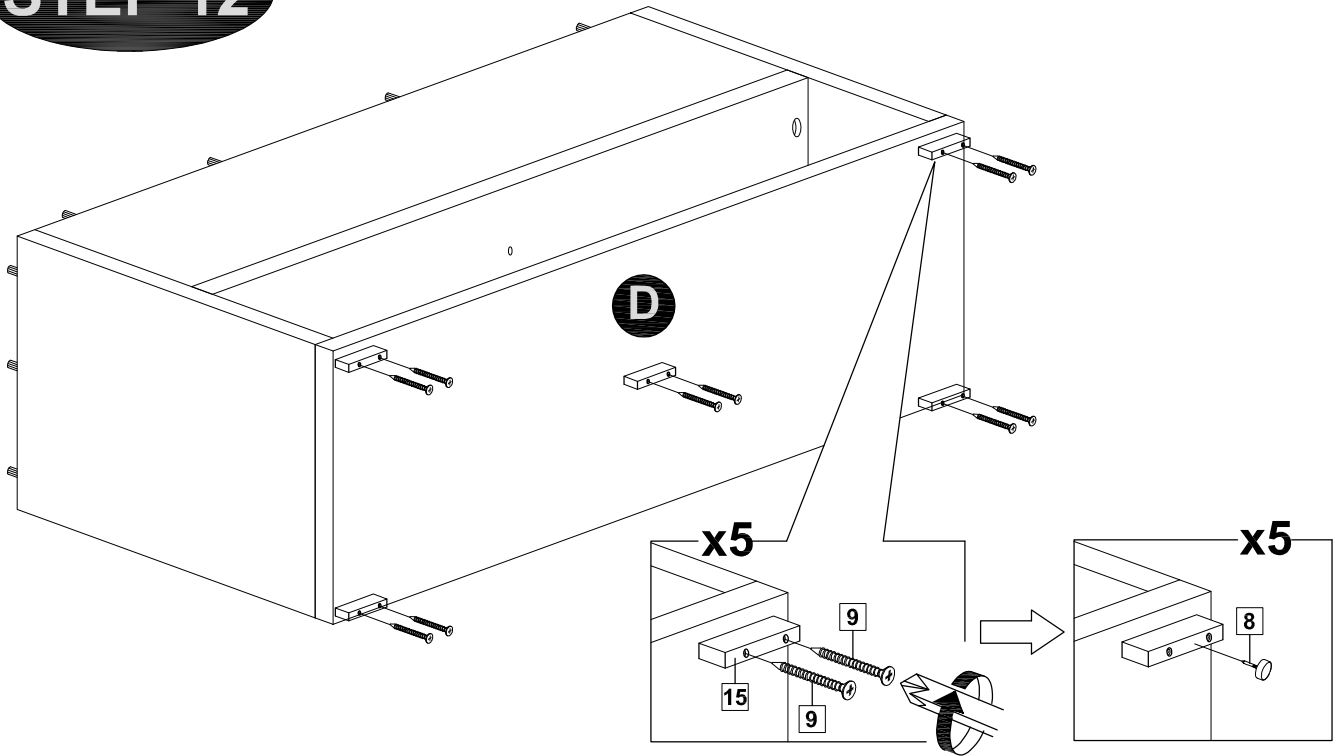


STEP 11

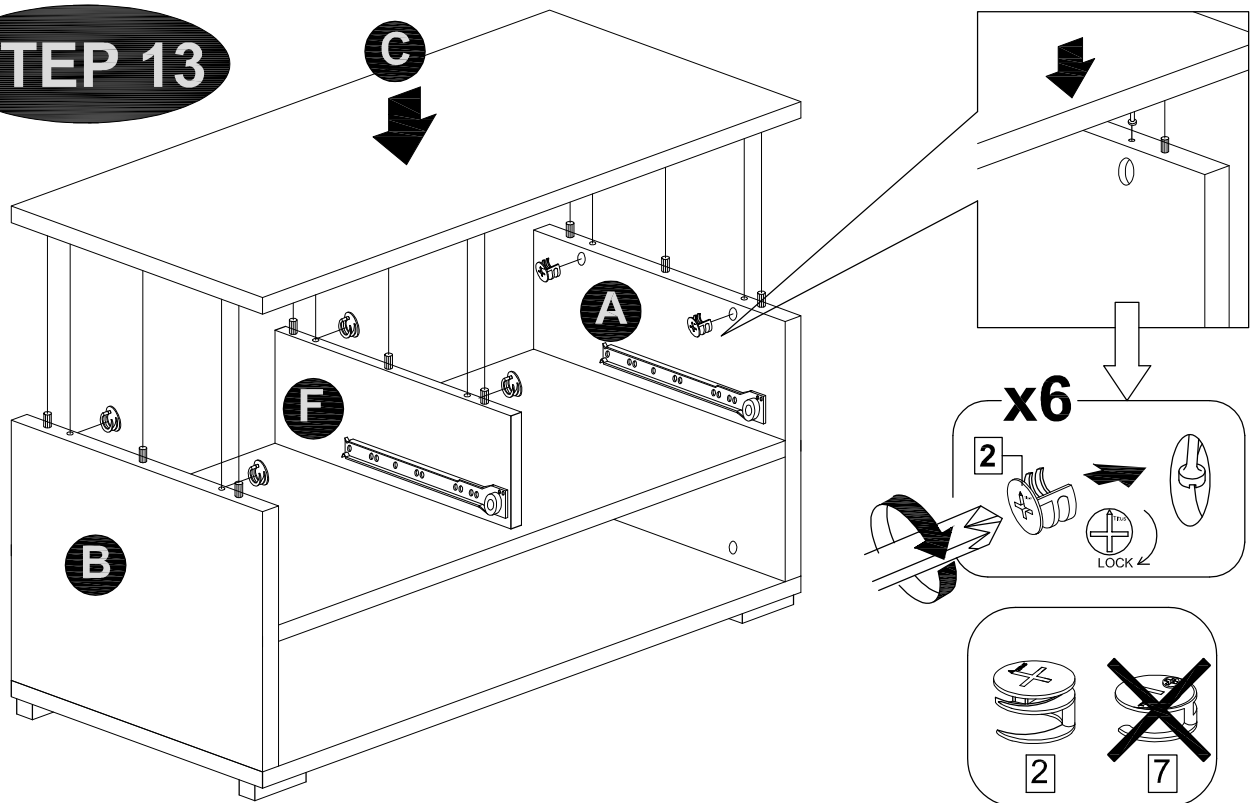


MODEL NAME:
CAMBOURNE
2 DRAWER COFFEE TABLE

STEP 12

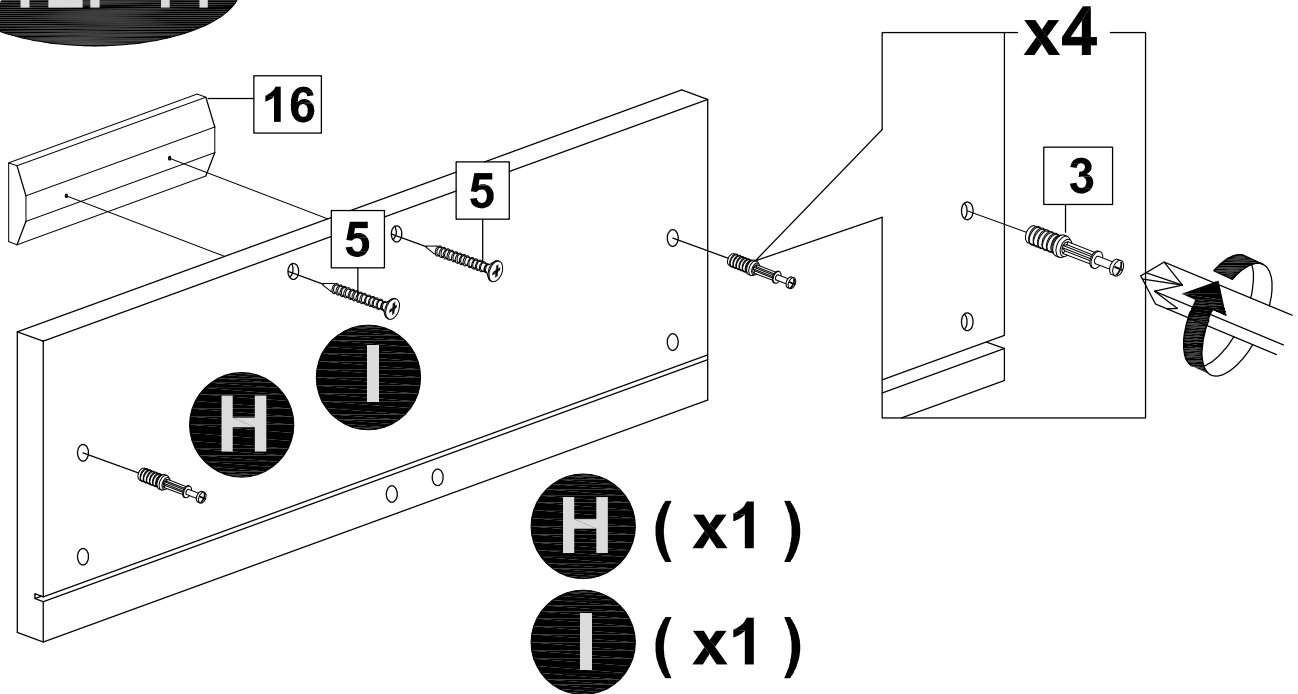


STEP 13

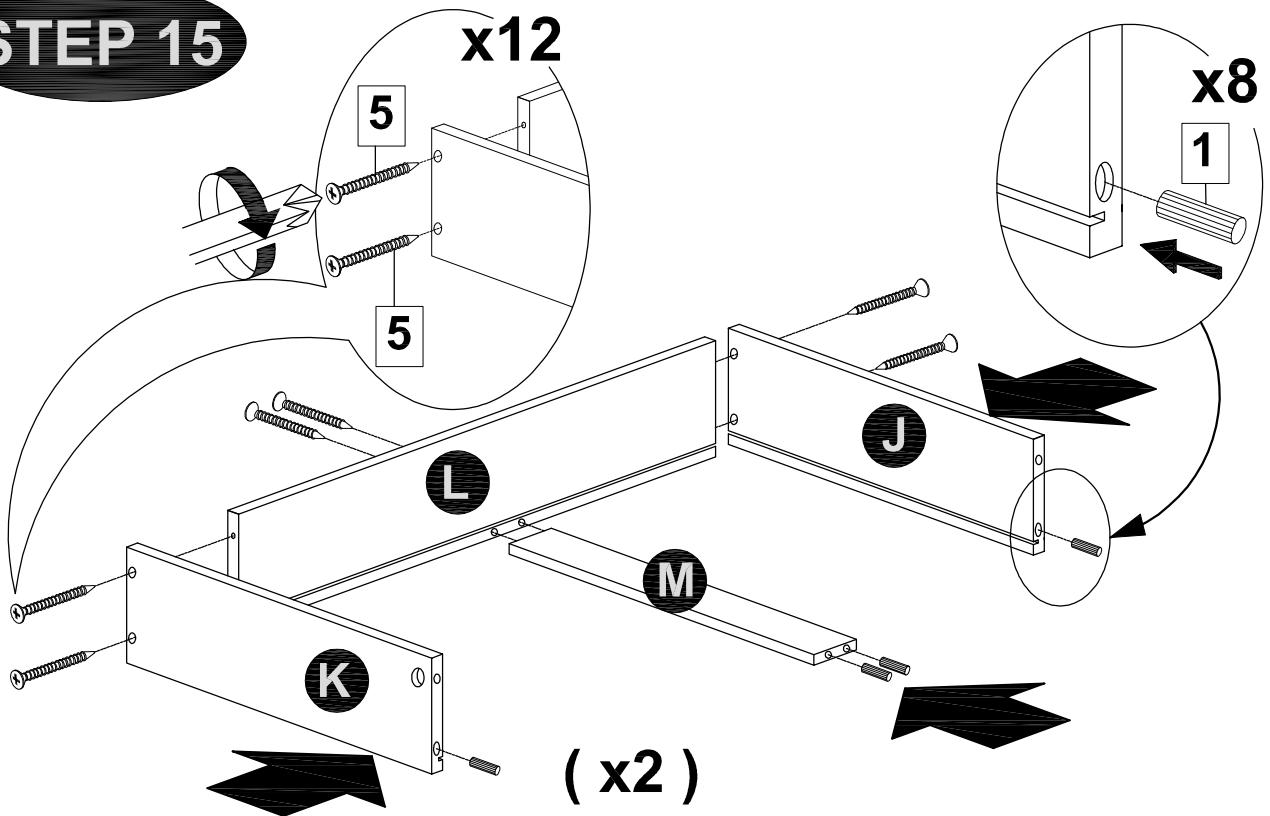


MODEL NAME:
CAMBOURNE
2 DRAWER COFFEE TABLE

STEP 14

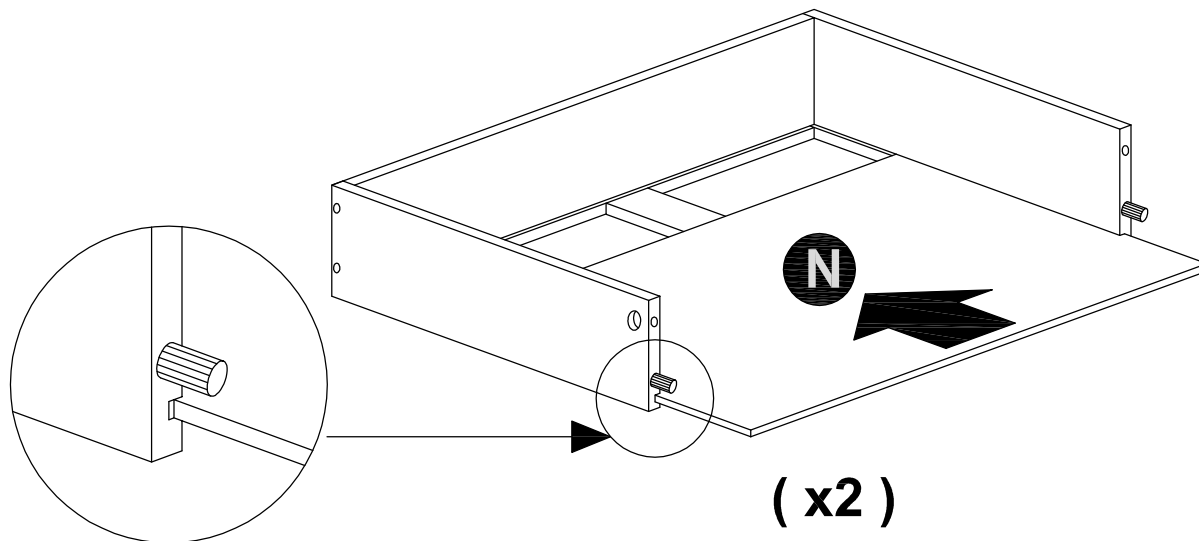


STEP 15

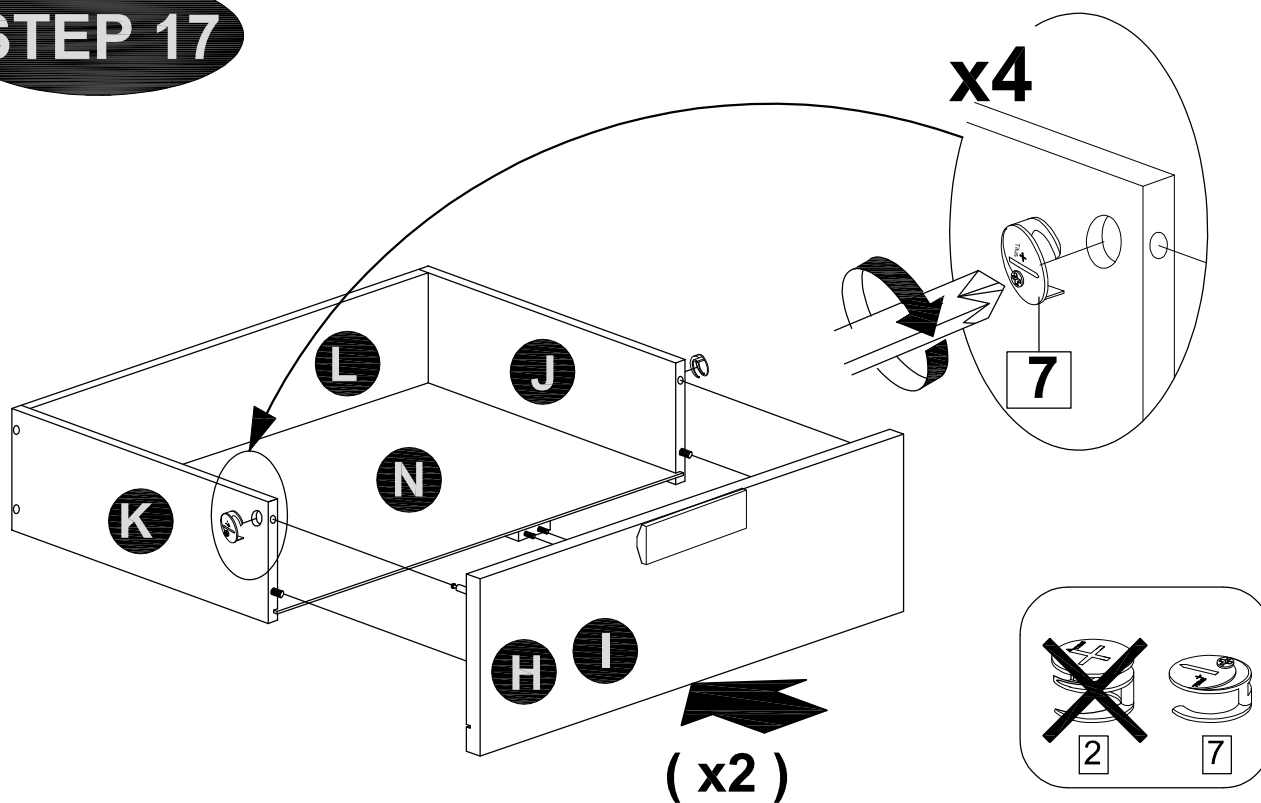


MODEL NAME:
CAMBOURNE
2 DRAWER COFFEE TABLE

STEP 16

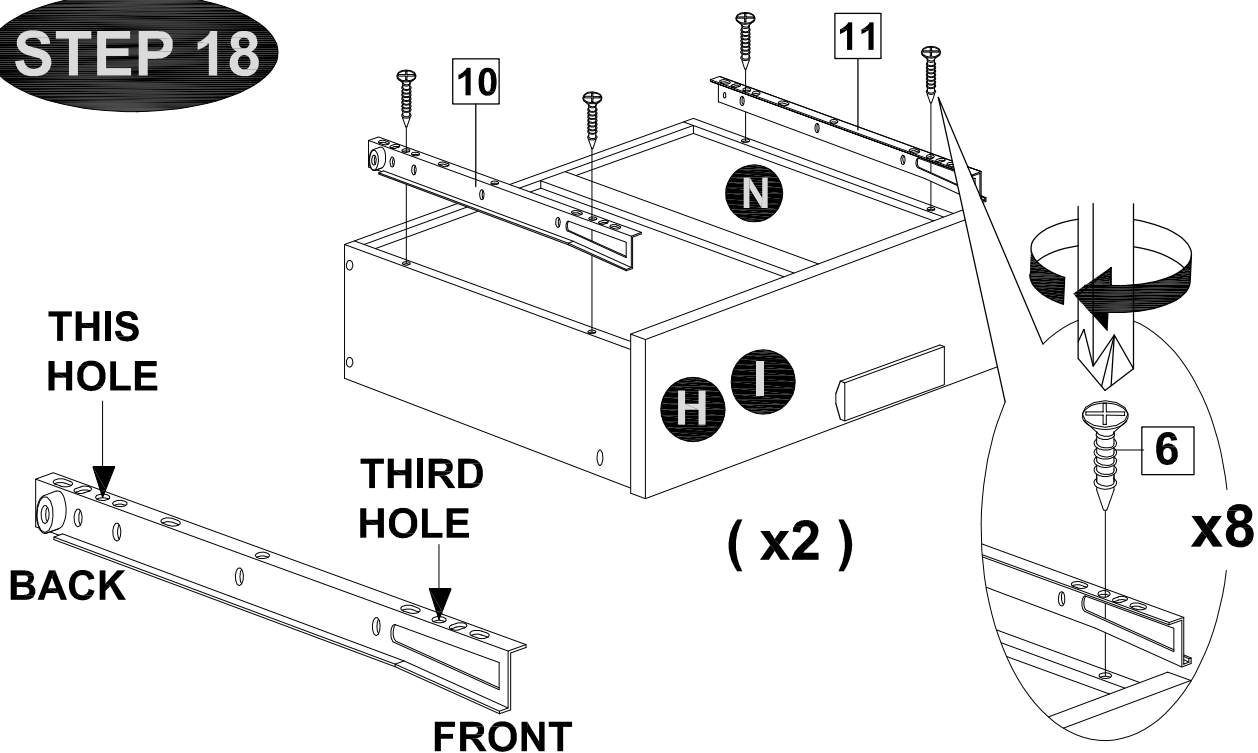


STEP 17

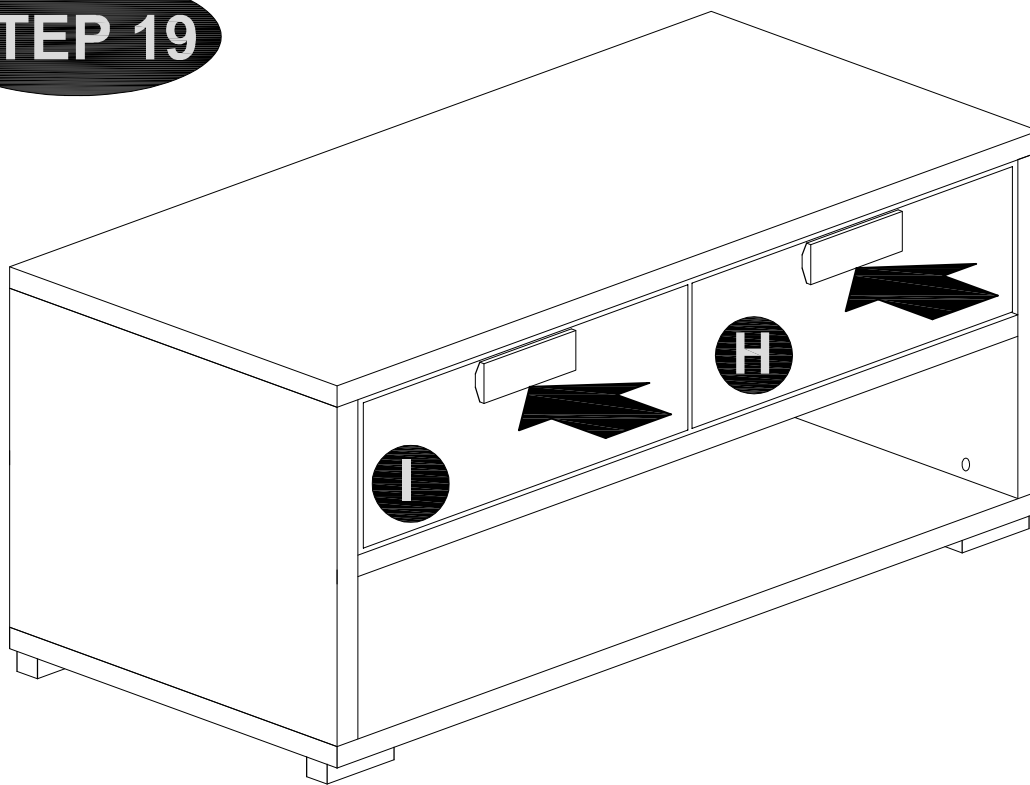


MODEL NAME:
CAMBOURNE
2 DRAWER COFFEE TABLE

STEP 18

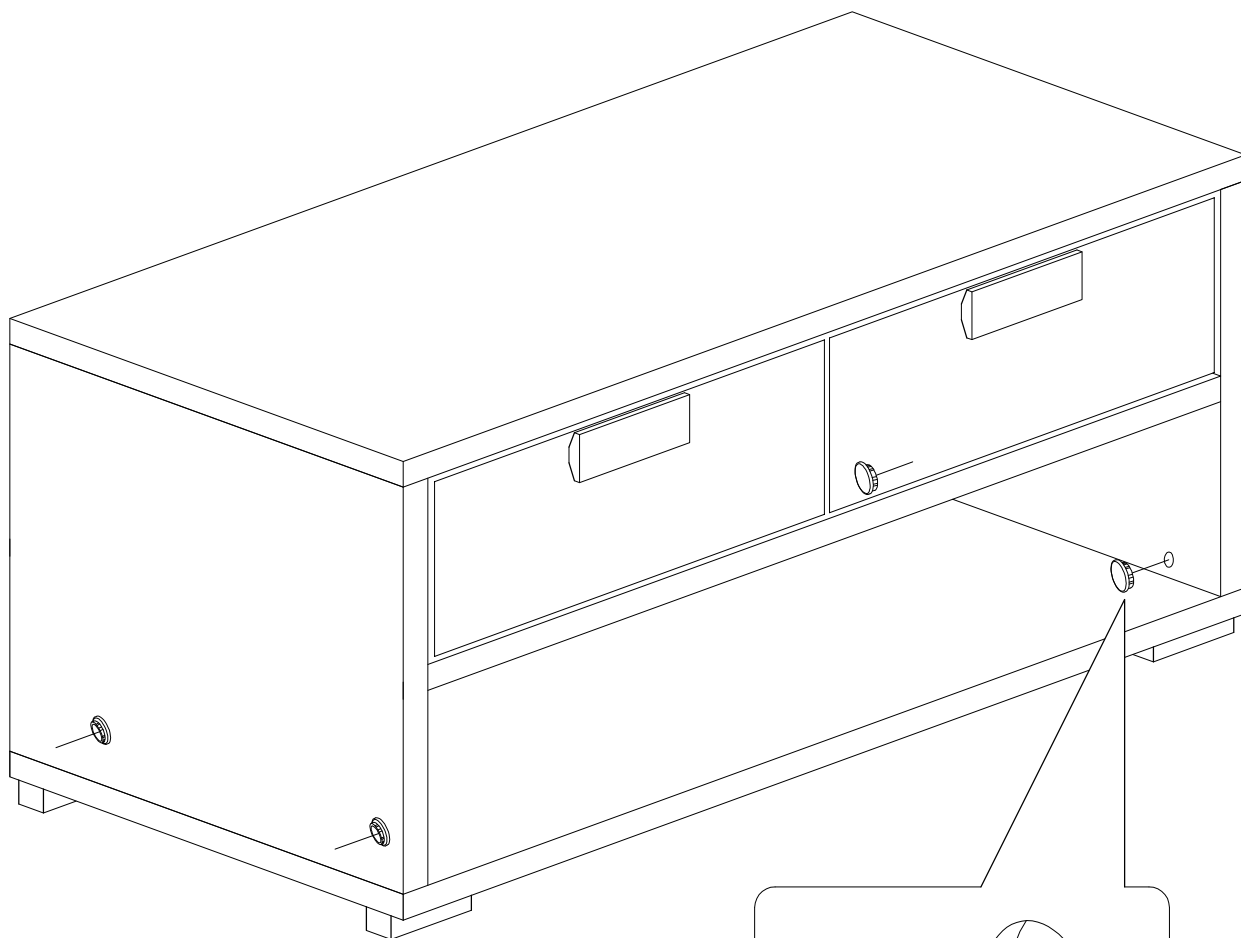


STEP 19

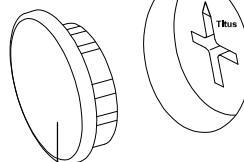


MODEL NAME:
CAMBOURNE
2 DRAWER COFFEE TABLE

STEP 20



x4



4