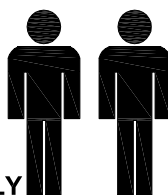


DESCRIPTION:
CAMBOURNE
3+2 DRAWER CHEST

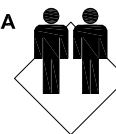
60min

APPROXIMATE ASSEMBLY TIME

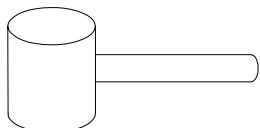
2 PEOPLE FOR ASSEMBLY



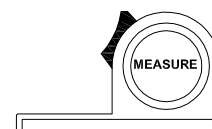
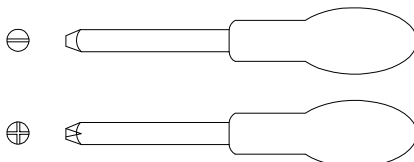
FLOOR AREA
 1.5M X 1.2M



REQUIRED ASSEMBLY SPACE

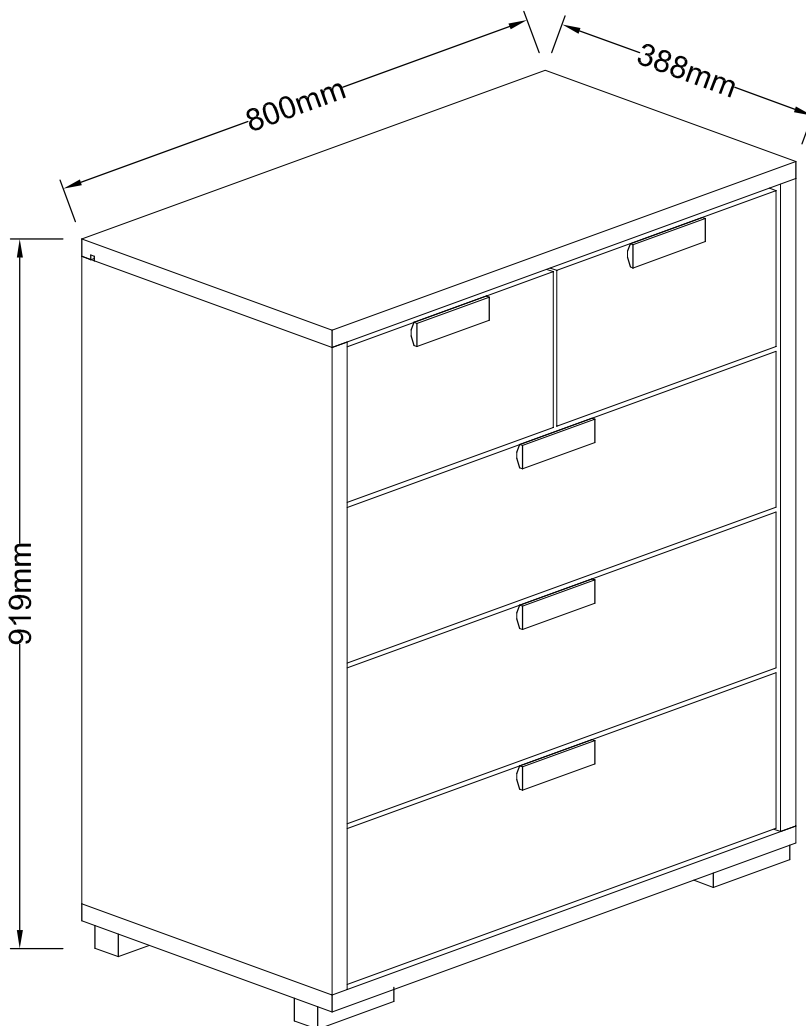


REQUIRED ASSEMBLY TOOLS



MEASURING TAPE

ASSEMBLED DIMENSIONS

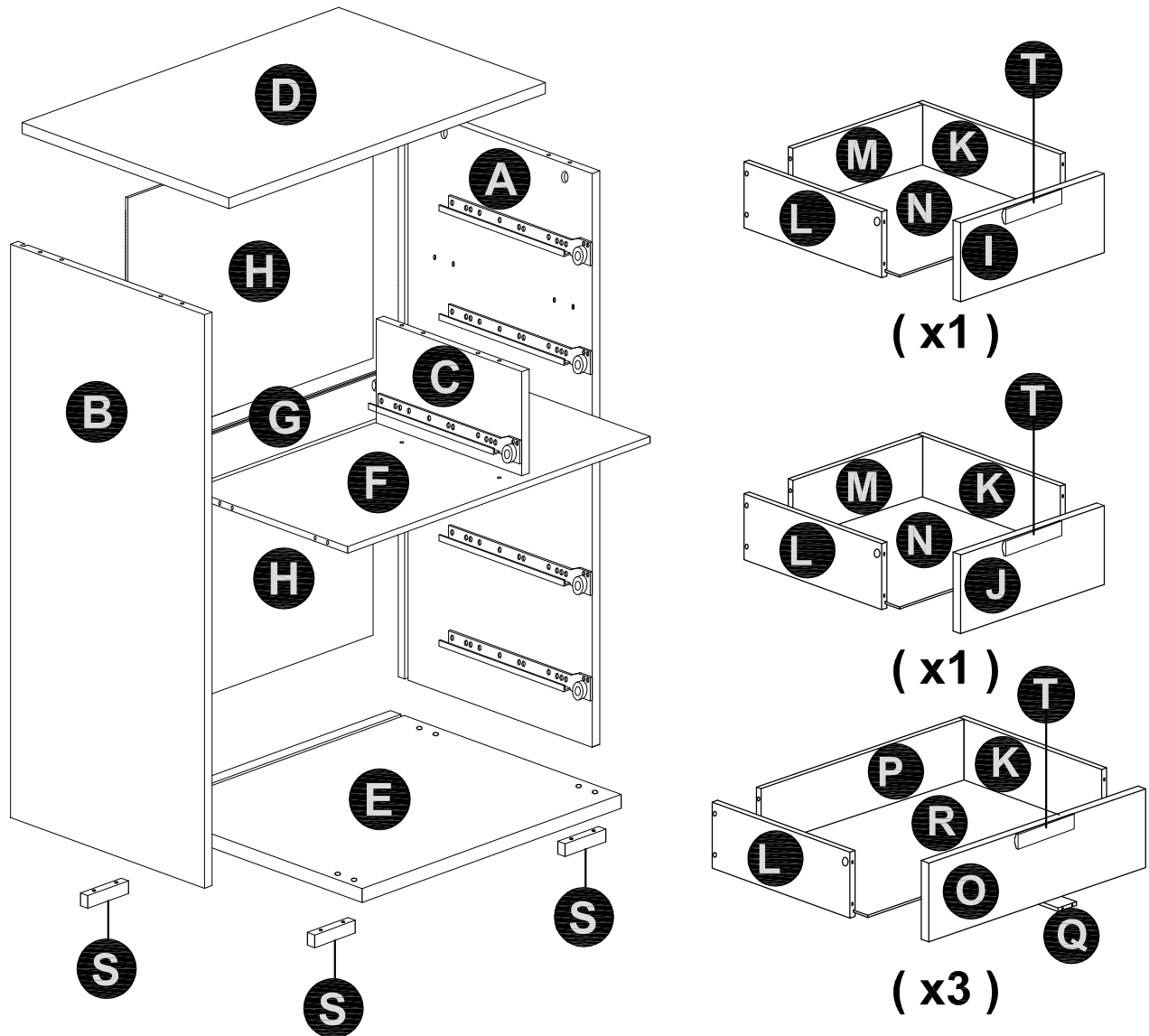


NOTE : THE MAXIMUM WEIGHT THIS PRODUCT CAN HOLD UP TO 25 KGS.

DESCRIPTION: CAMBOURNE 3+2 DRAWER CHEST


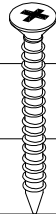

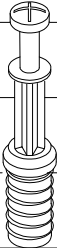
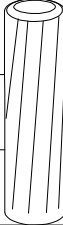
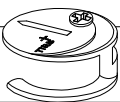
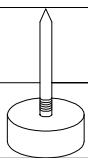
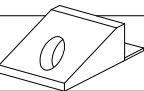

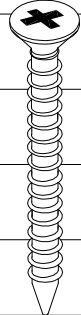
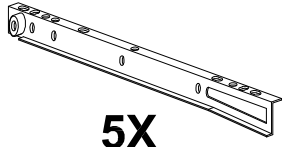
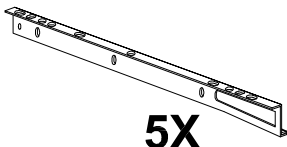
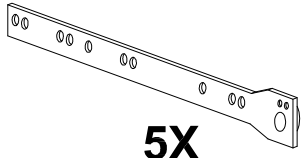
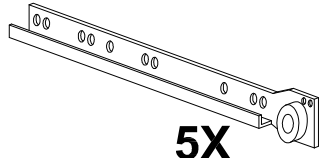
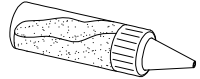

NO.	PART LIST	QTY	NO.	PART LIST	QTY
(A)	RIGHT SIDE PANEL	1	(I)	SMALL DRAWER FRONT (RIGHT)	1
(B)	LEFT SIDE PANEL	1	(J)	SMALL DRAWER FRONT (LEFT)	1
(C)	CENTRE DIVIDER	1	(K)	DRAWER SIDE (RIGHT)	5
(D)	TOP PANEL	1	(L)	DRAWER SIDE (LEFT)	5
(E)	BOTTOM PANEL	1	(M)	SMALL DRAWER BACK PANEL	2
(F)	CENTRE PANEL	1	(N)	SMALL DRAWER BASE	2
(G)	BACK SUPPORT	1	(O)	BIG DRAWER FRONT	3
(H)	BACK PANEL	2	(P)	BIG DRAWER BACK PANEL	3
			(Q)	DRAWER BASE SUPPORT	3
			(R)	BIG DRAWER BASE	3
			(S)	LEGS	5
			(T)	HANDLE	5

PARTS LIST



DESCRIPTION:
CAMBOURNE
3+2 DRAWER CHEST

HARDWARE LIST

					3cm 2cm 1cm 0cm
40X M3.5 x 12mm 1 FLAT HEAD SCREW	36X M3.5 x 25mm 2 FLAT HEAD SCREW	12X Dia.15mm 3 CAMLOCK	22X M6.5 4 CAMBOLT	34X Dia.6 x 30mm 5 WOOD DOWEL	
					4cm 3cm 2cm 1cm 0cm
10X Dia.15mm 6 DRAWER CAMLOCK	5X 7 FOOT	12X 8 BACK PANEL FIXING	12X M3 x 20mm 9 FLAT HEAD SCREW	16X M5 x 40mm 10 FLAT HEAD SCREW	
					
5X 11 DRAWER RUNNER (RIGHT)	5X 12 DRAWER RUNNER (LEFT)	5X 13 DRAWER RUNNER TRACK (LEFT)	5X 14 DRAWER RUNNER TRACK (RIGHT)		
					
2X 15 GLUE 10CC	2X 16 ANTI TIP STRAP				

	DESCRIPTION: CAMBOURNE 3+2 DRAWER CHEST
--	--

Top Tips before you start!

1. Please check that all parts are present before you start the assembly of your furniture.
2. For ease and speed of assembly, we recommend that before you commence each step of the assembly, that you identify all the parts required for that step.
3. For larger items, please ensure that you have sufficient space and people (as indicated on page 1) to assemble your product safely
4. We recommend that, where possible, all items are assembled near to the area in which they will be placed in use, to avoid moving the product unnecessarily once assembled.
5. For the protection of your furniture, we recommend that the product is placed on a protected surface during assembly to prevent any damage.
6. During assembly please take care not to over-tighten any fittings, as this may damage the product.
7. Always place the product on a flat, steady and stable surface.
8. Do not sit or stand on the product. Do not use the product as a stepladder.
9. This product is intended for indoor, household use only as it is non industrial product.
10. This product is constructed from re-inforced hollow board. Excessive pressure could cause irreparable damage. Please do not kneel on any part of this product during assembly.

Care and Maintenance of your Furniture

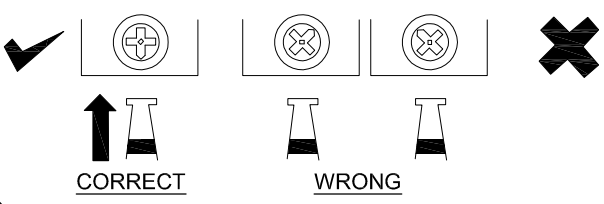
- Please periodically check all fittings and re-tighten as necessary.
- To clean your item, please use a damp cloth and wipe clean.
- Never allow any kind of liquid to remain on your furniture. Absorption can cause wood to warp or finishes to de-laminate.
- Please do not place hot items (e.g. hot drinks) directly on to the wood surface.
- Please do not drag and pull your furniture.

**DESCRIPTION: CAMBOURNE
3+2 DRAWER CHEST**

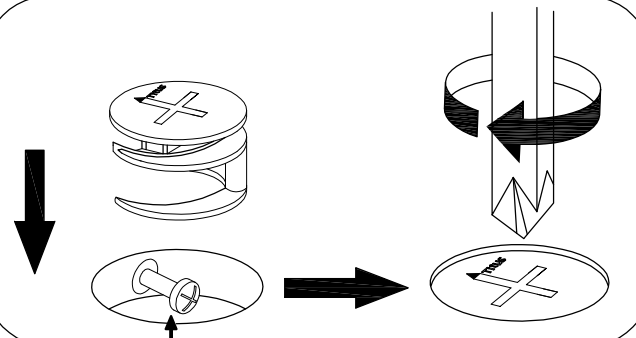
**SPECIAL TIPS FOR FITTING CAM-LOCKS
AND CAM BOLT**



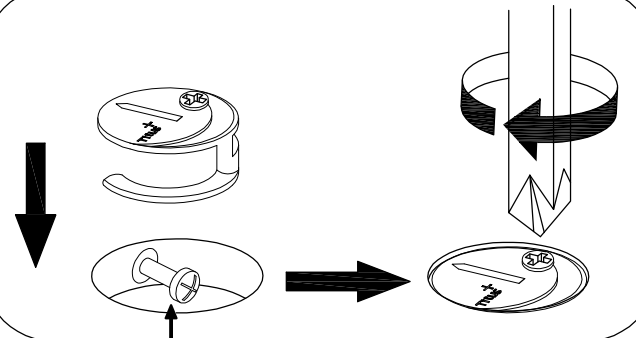
WHEN FITTING CAM-LOCK
ENSURE STARTING POSITION IS CORRECT
BEFORE YOU INSERT CONNECTING CAM BOLT
TURN CLOCKWISE UNTIL SECURE



CORRECT **WRONG**

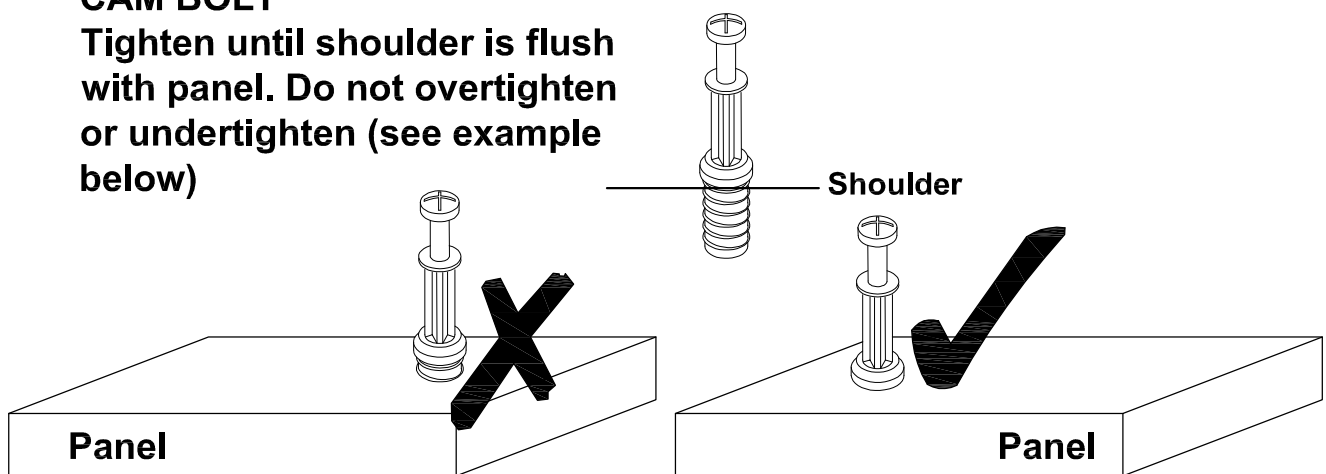


Cam bolt head needs to be in centre

Cam bolt head needs to be in centre

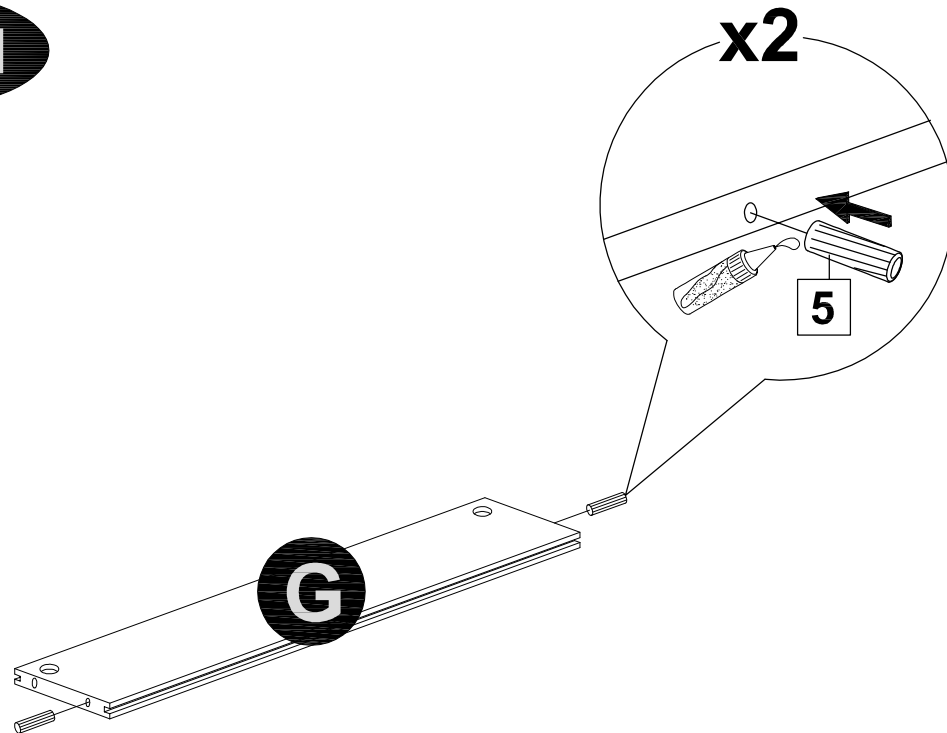
CAM BOLT
Tighten until shoulder is flush
with panel. Do not overtighten
or undertighten (see example
below)



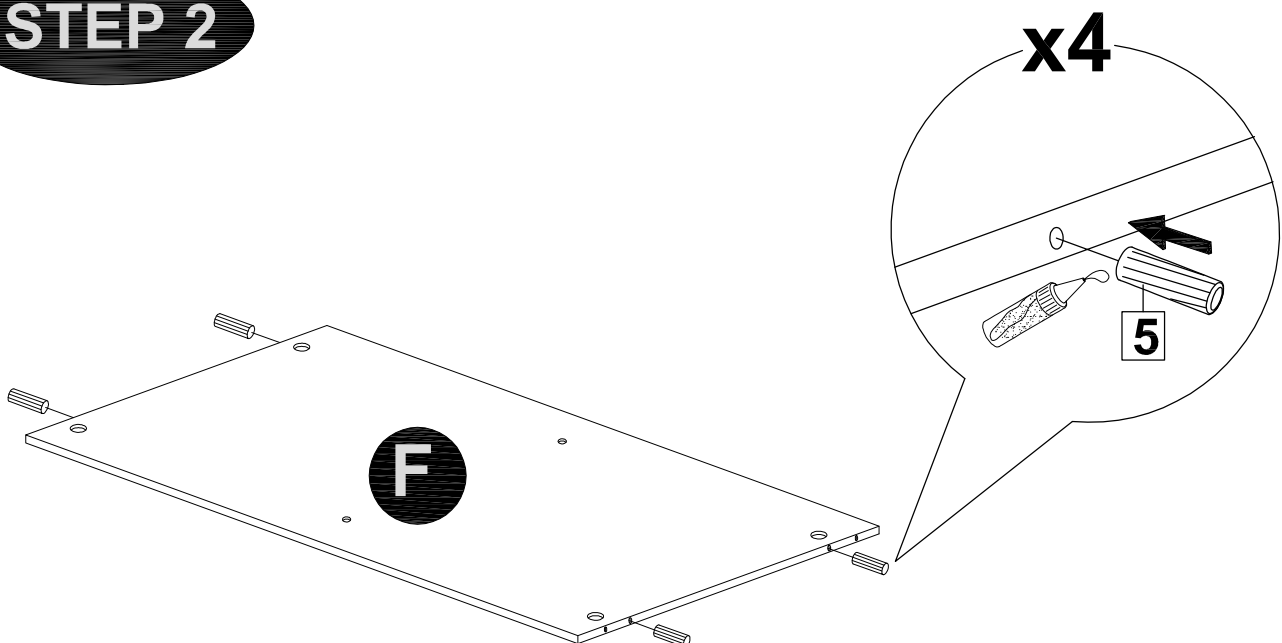
Panel **Shoulder** **Panel**

DESCRIPTION: **CAMBOURNE**
3+2 DRAWER CHEST

STEP 1

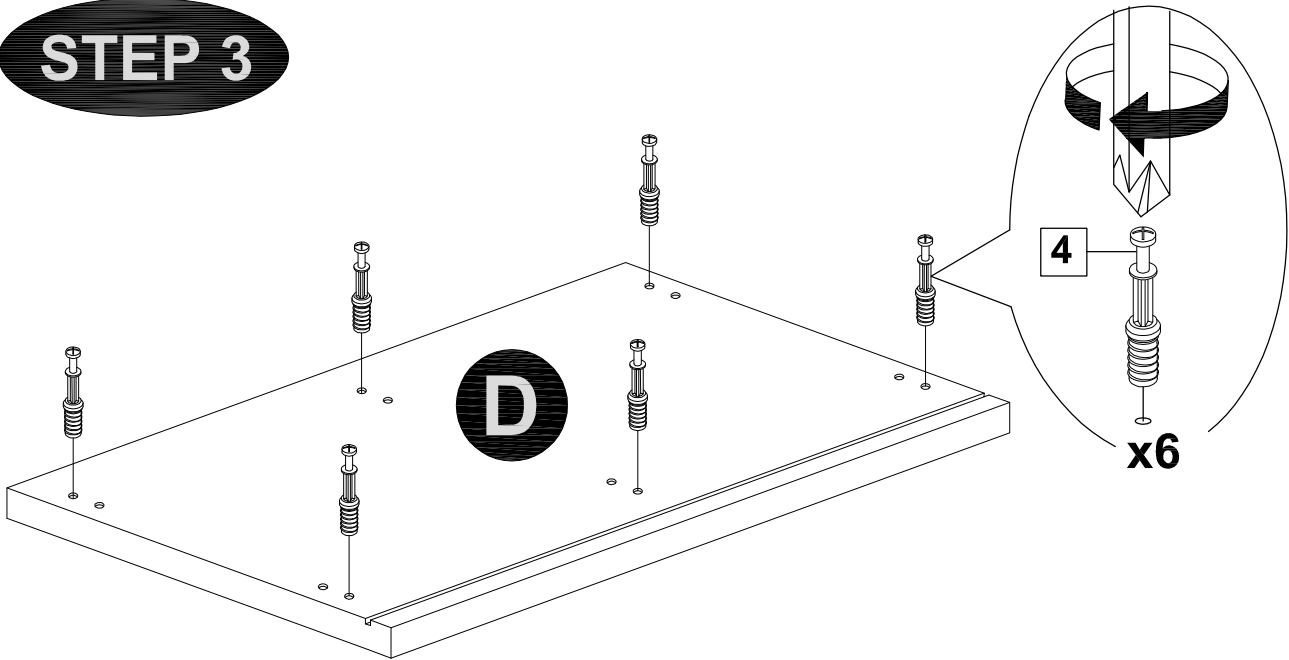


STEP 2

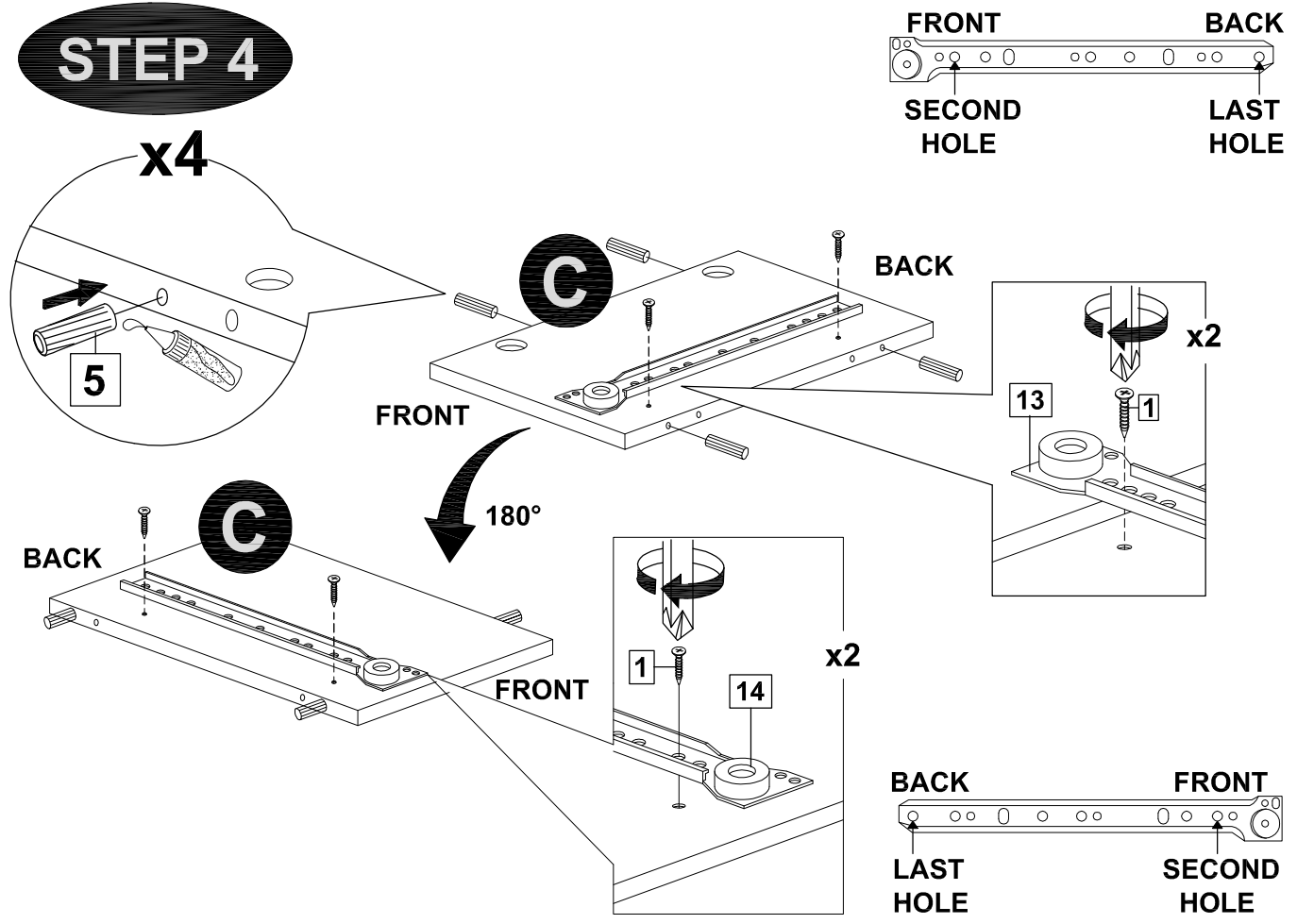


DESCRIPTION: **CAMBOURNE**
3+2 DRAWER CHEST

STEP 3

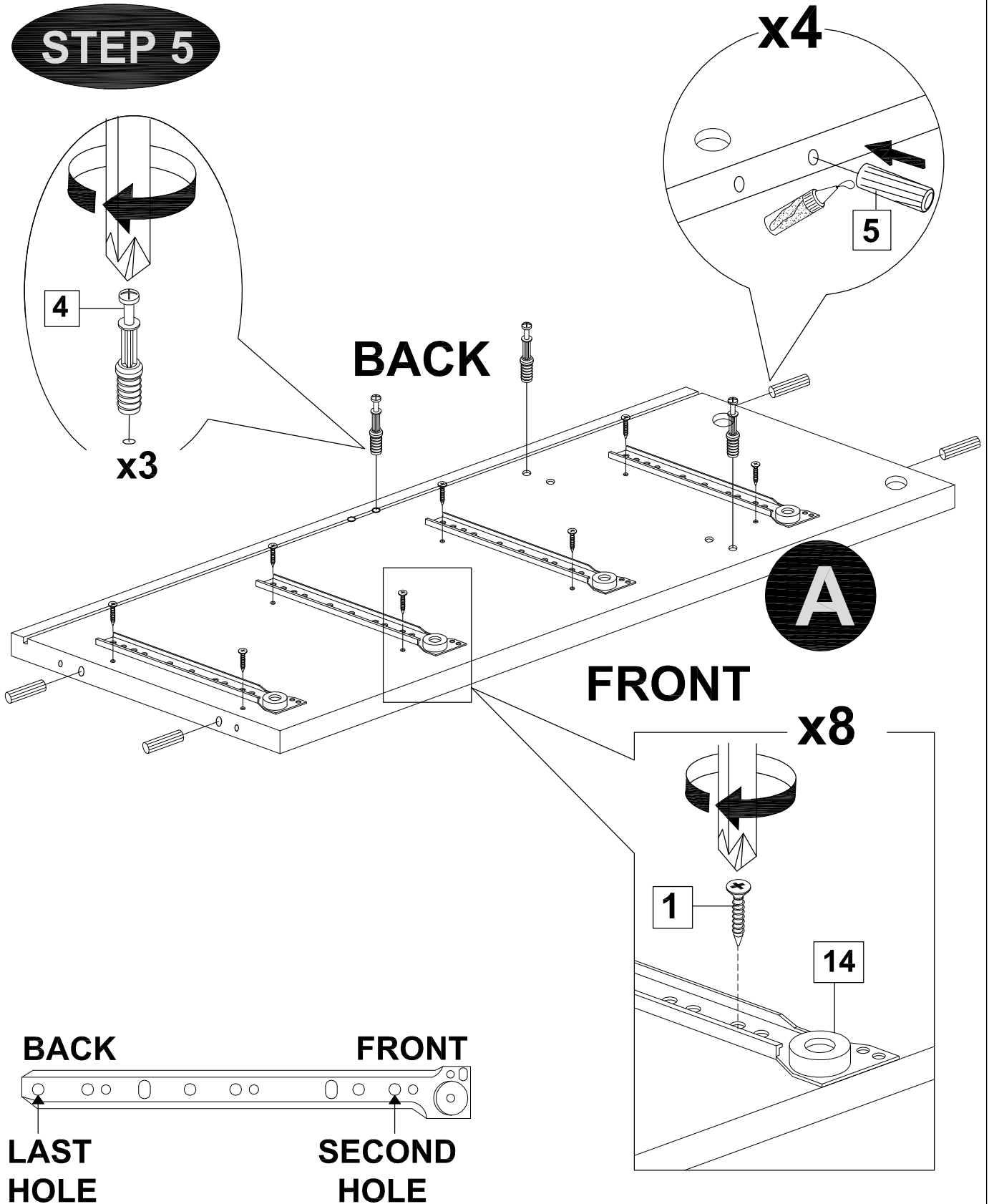


STEP 4



DESCRIPTION: **CAMBOURNE**
3+2 DRAWER CHEST

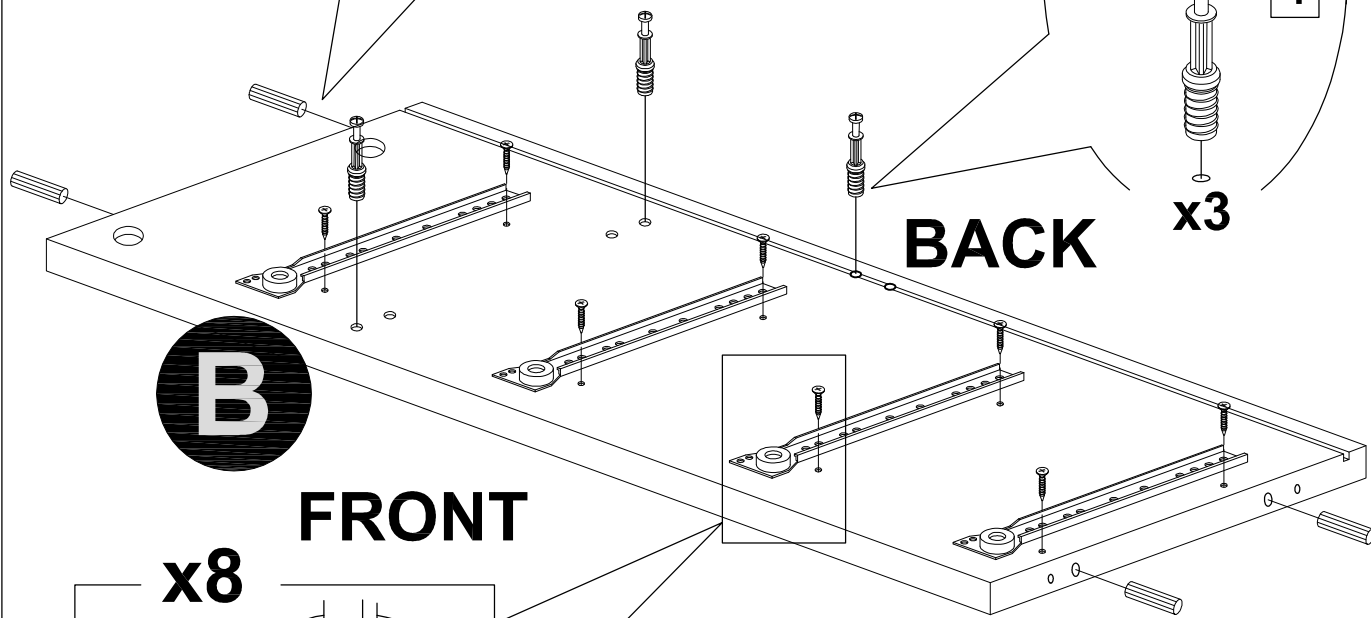
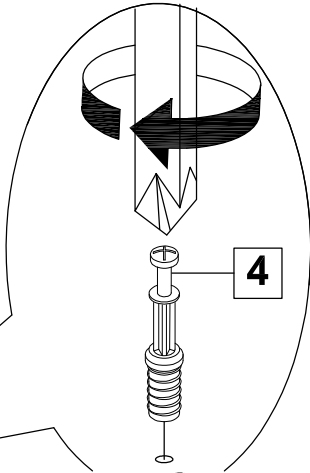
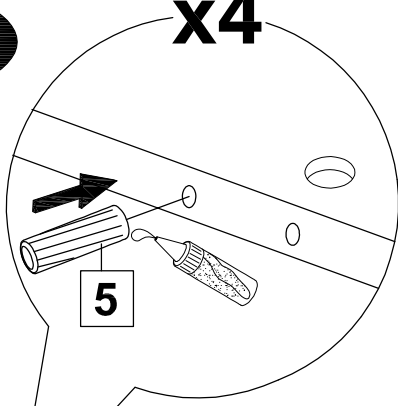
STEP 5



DESCRIPTION: **CAMBOURNE**
3+2 DRAWER CHEST

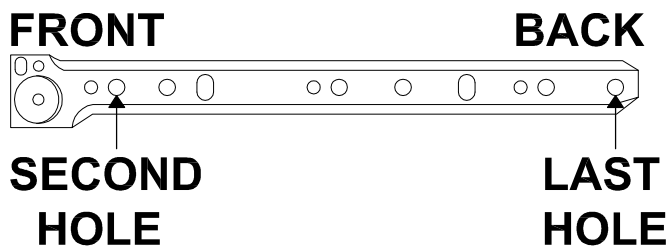
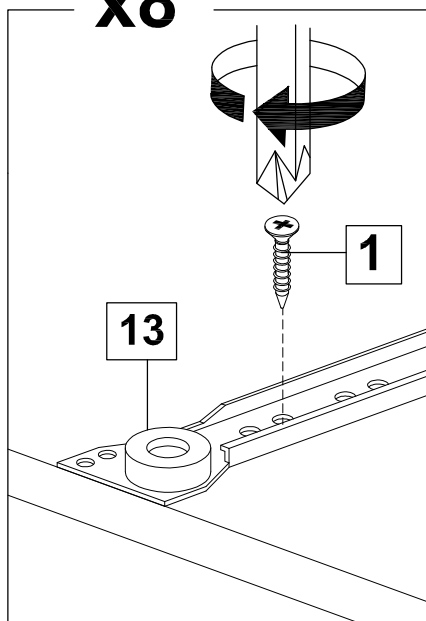
STEP 6

x4



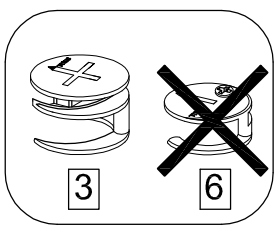
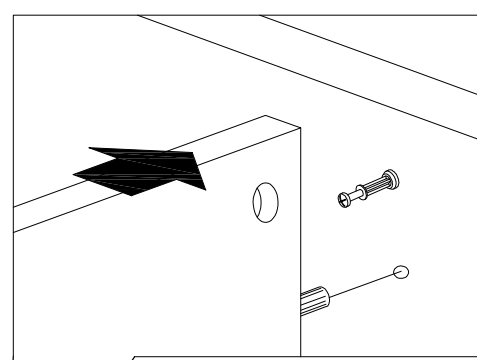
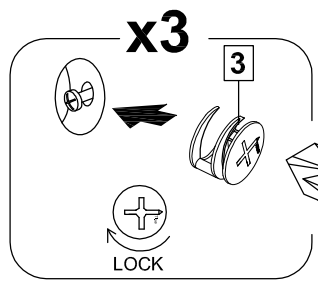
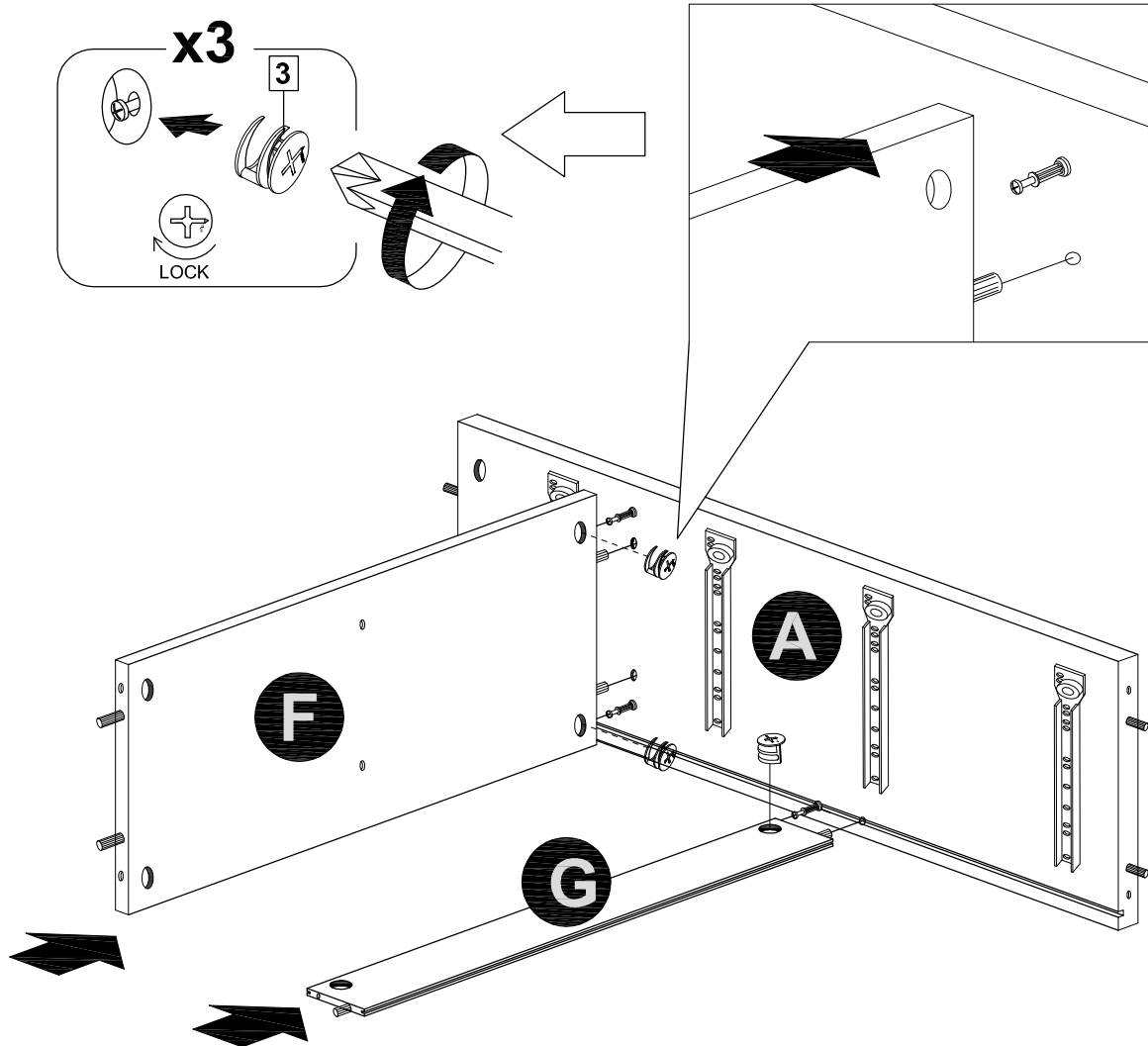
FRONT

x8



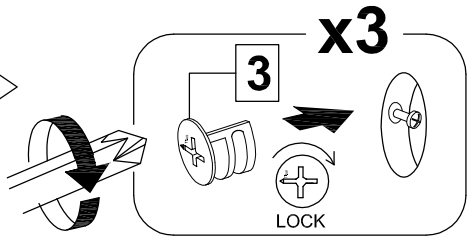
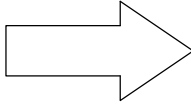
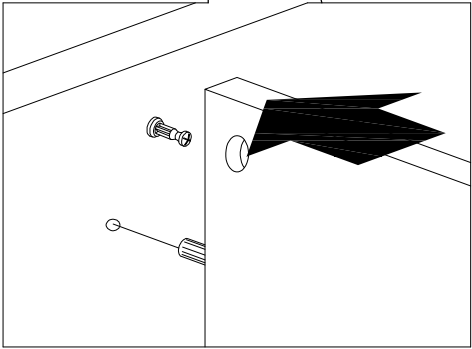
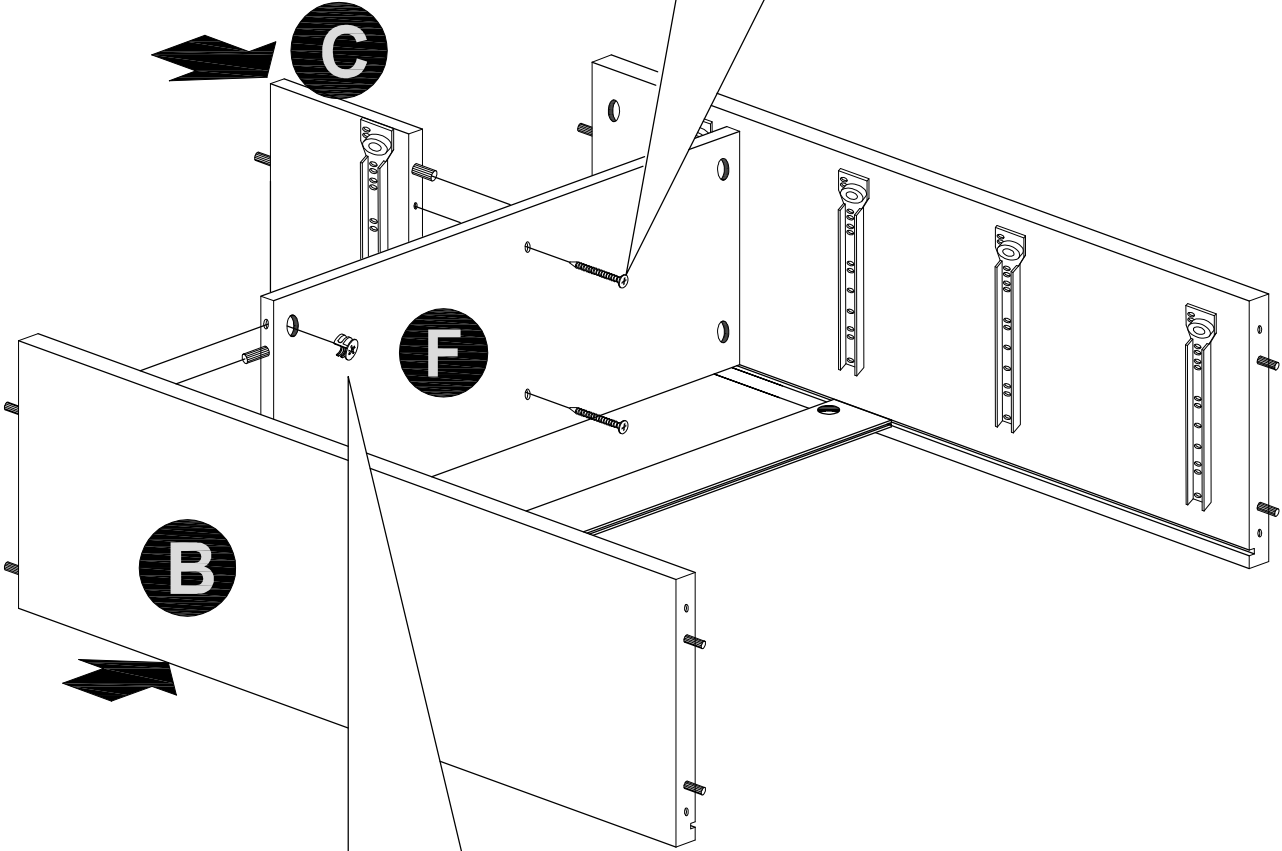
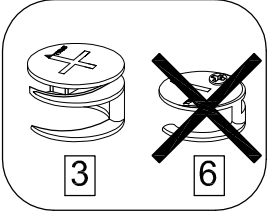
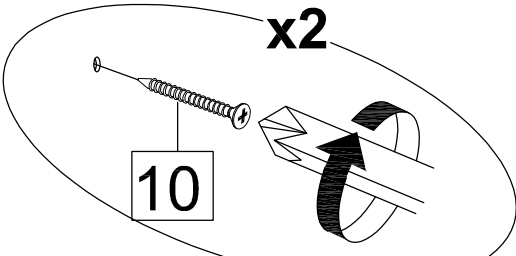
DESCRIPTION: **CAMBOURNE**
3+2 DRAWER CHEST

STEP 7



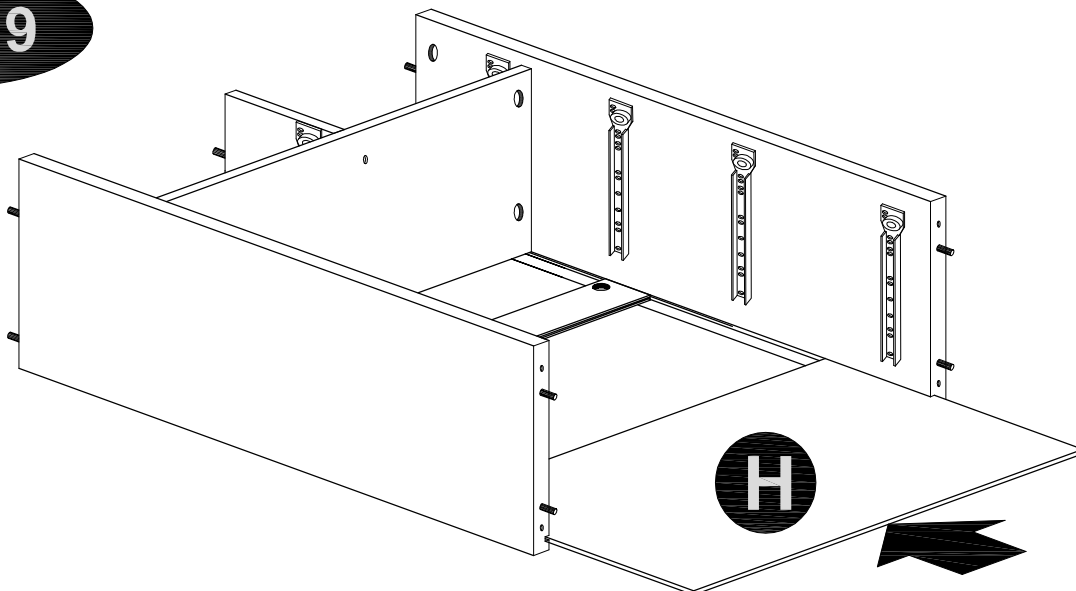
DESCRIPTION: **CAMBOURNE**
3+2 DRAWER CHEST

STEP 8

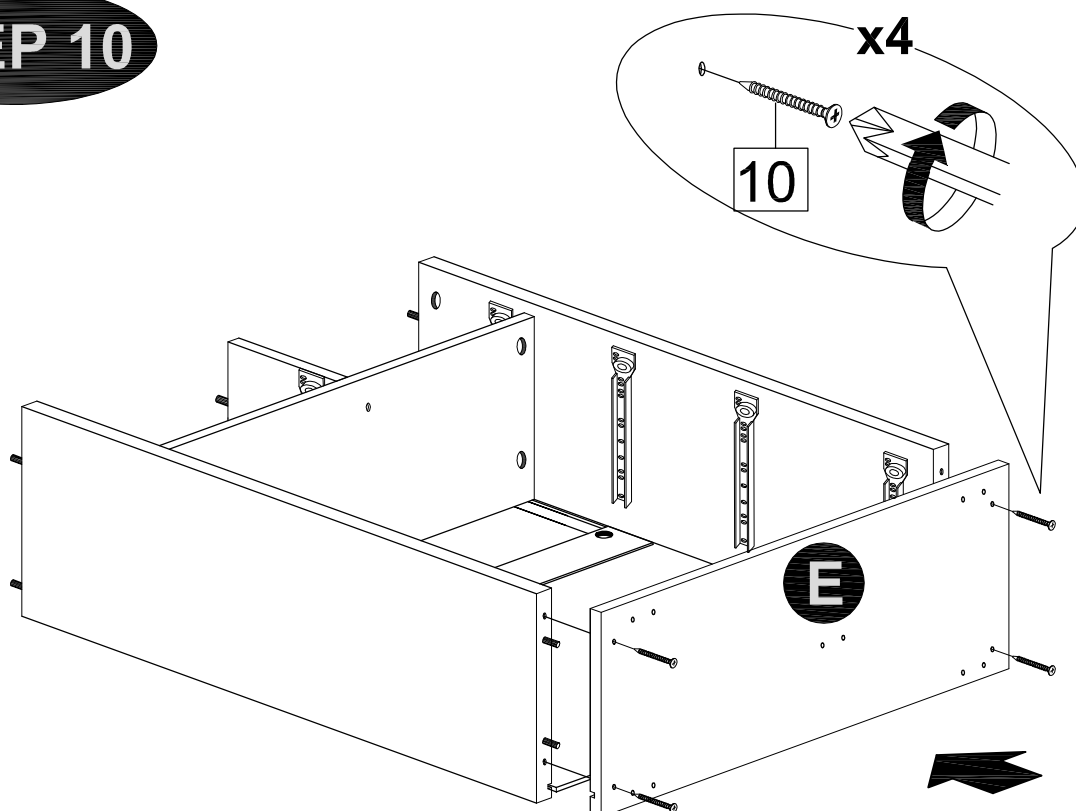


DESCRIPTION: **CAMBOURNE**
3+2 DRAWER CHEST

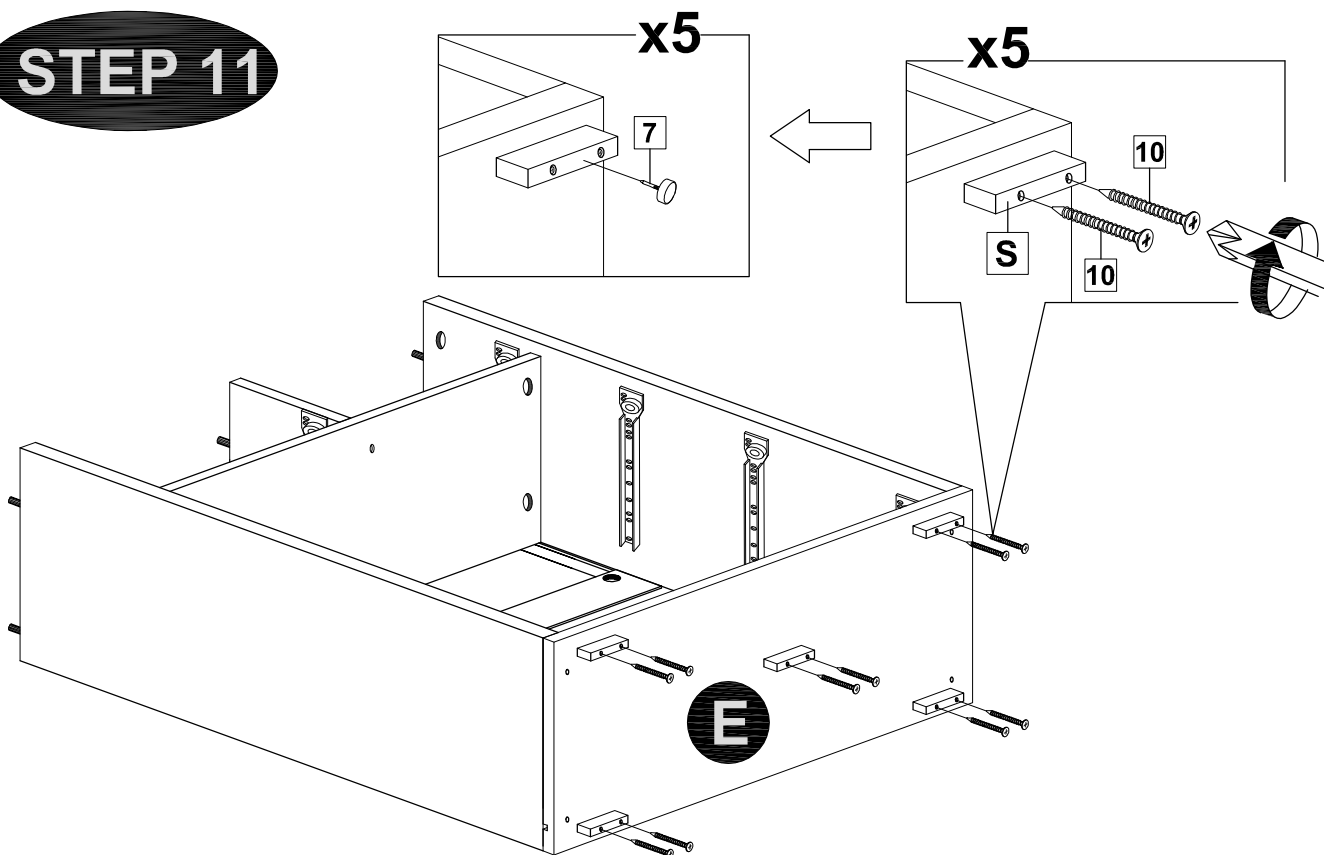
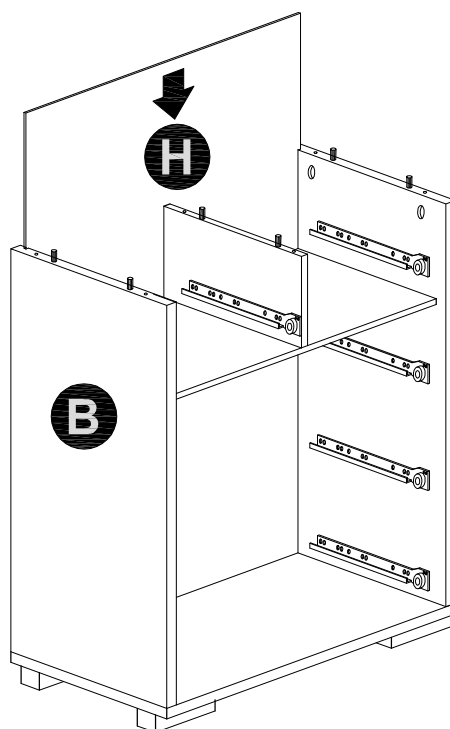
STEP 9



STEP 10

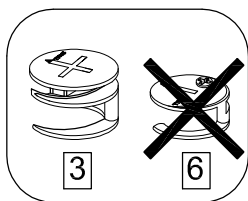
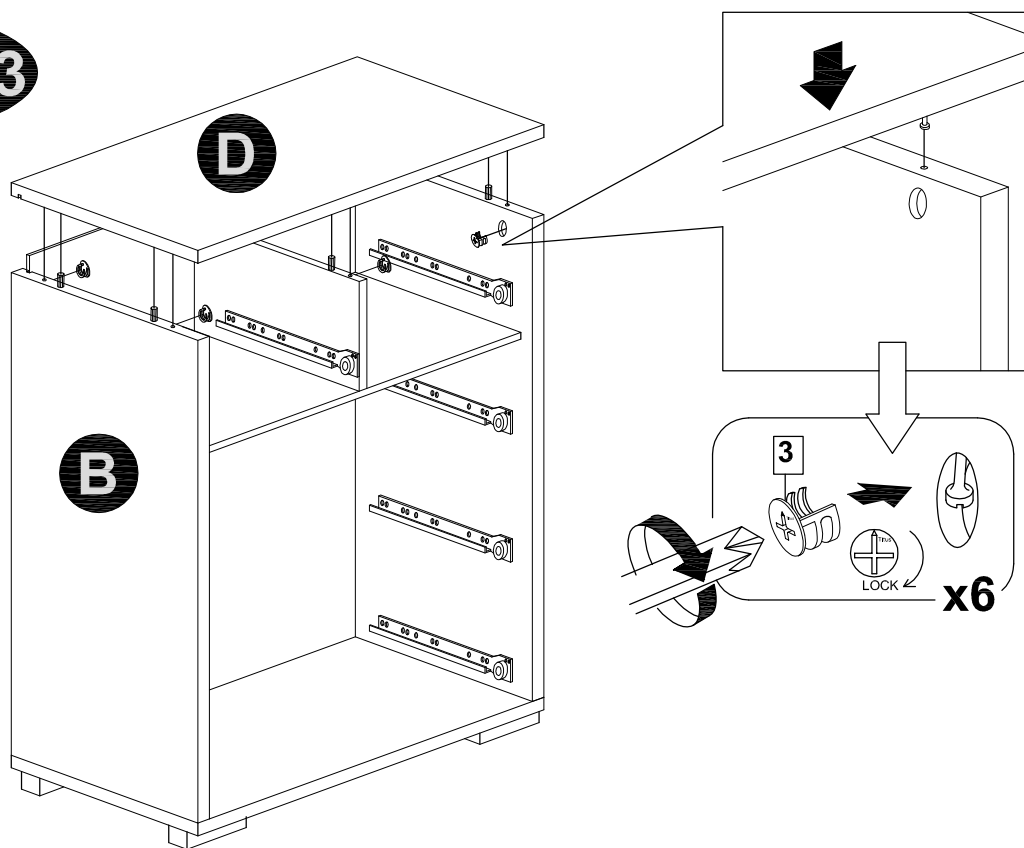


DESCRIPTION: **CAMBOURNE**
3+2 DRAWER CHEST

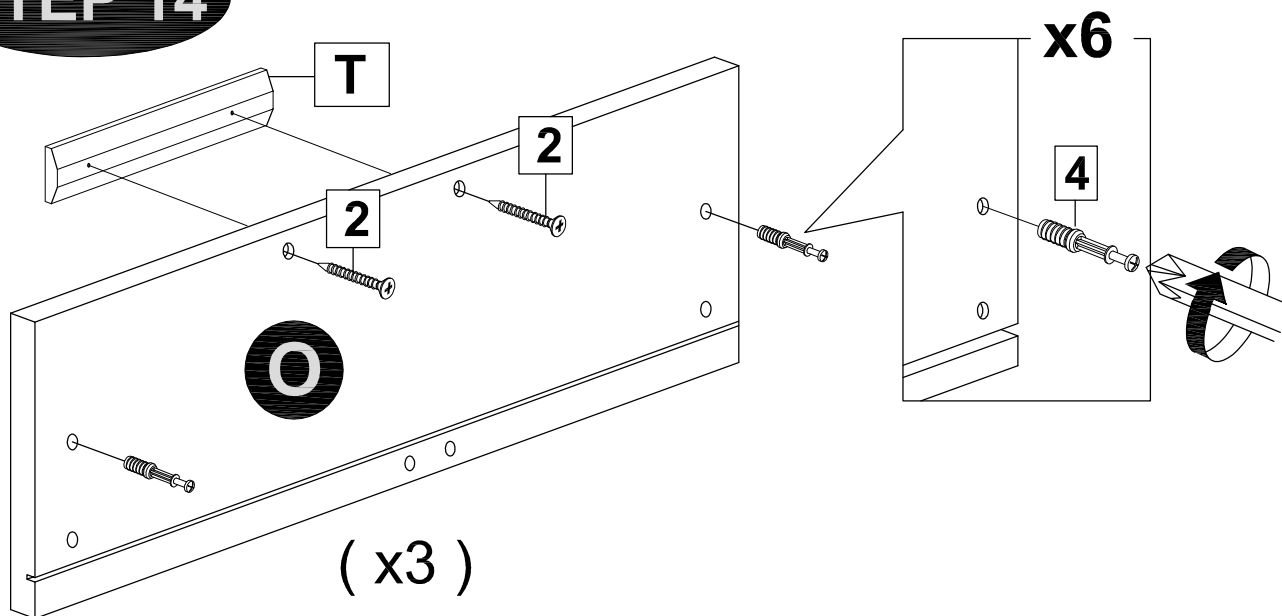
STEP 11**STEP 12**

DESCRIPTION: **CAMBOURNE**
3+2 DRAWER CHEST

STEP 13

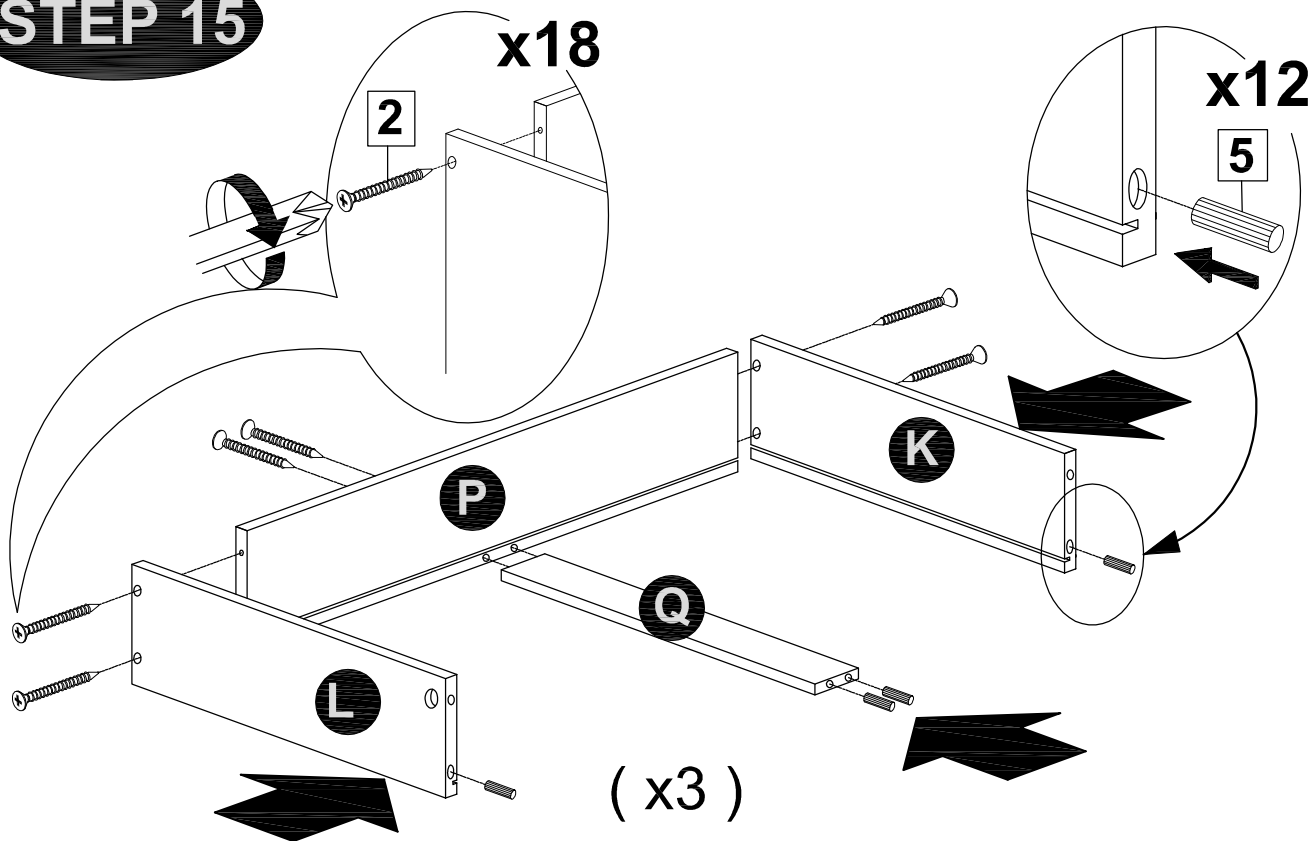


STEP 14

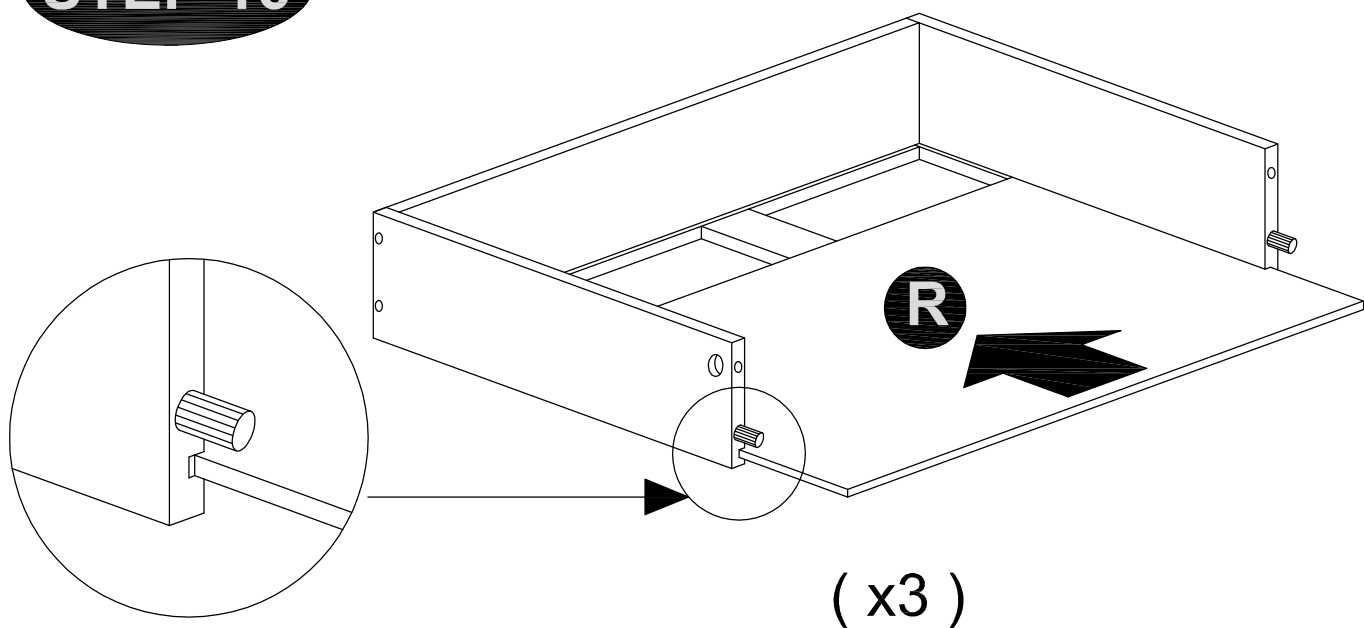


DESCRIPTION: **CAMBOURNE**
3+2 DRAWER CHEST

STEP 15

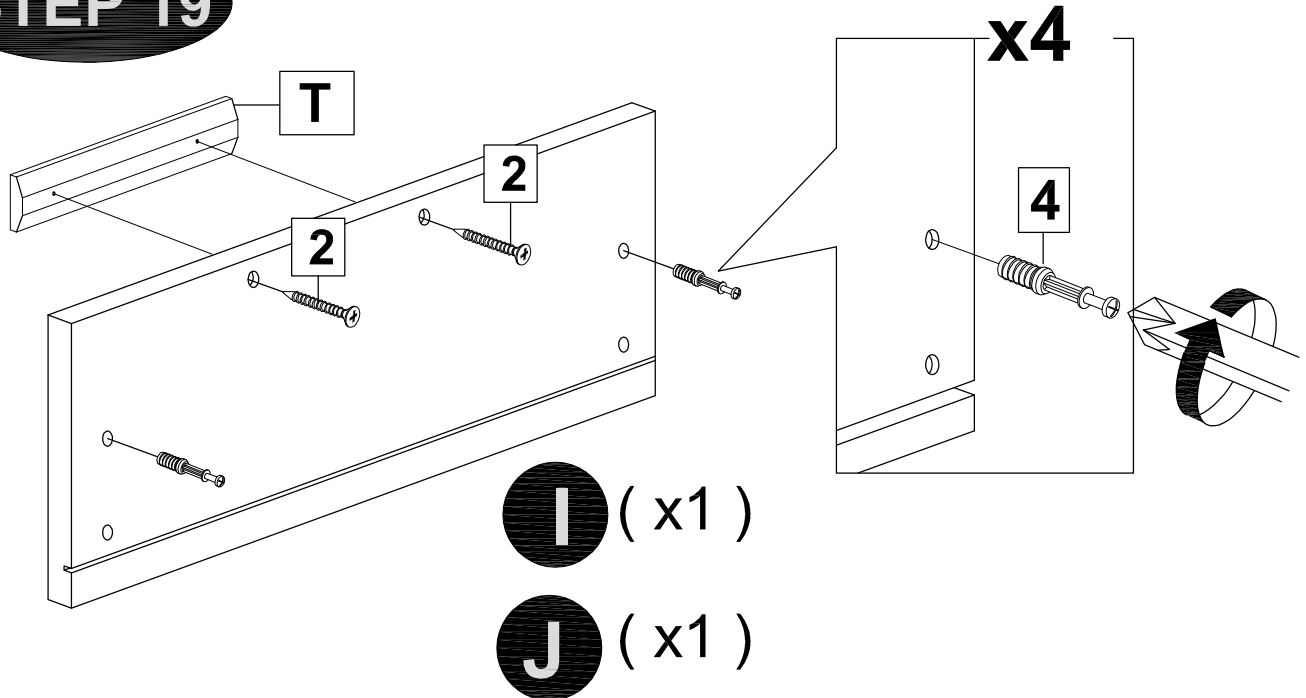


STEP 16

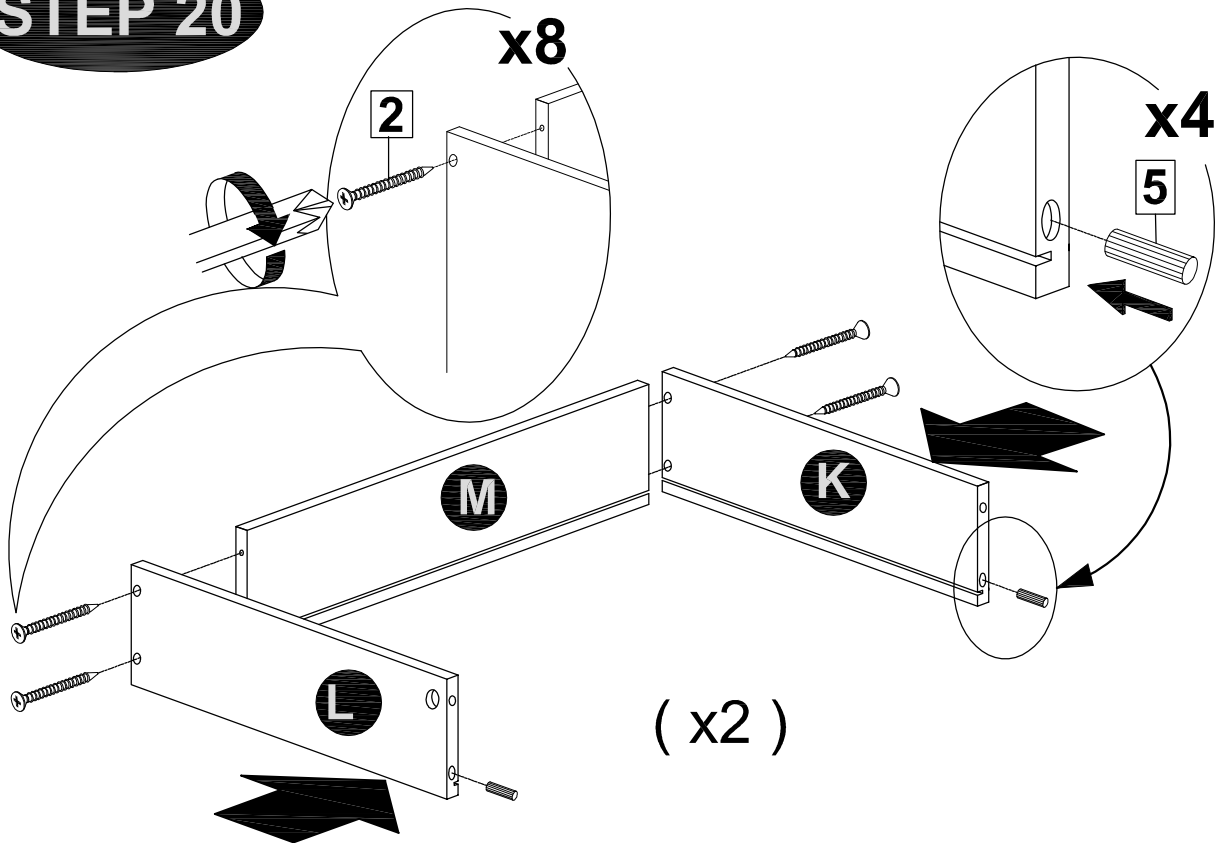


DESCRIPTION: **CAMBOURNE**
3+2 DRAWER CHEST

STEP 19

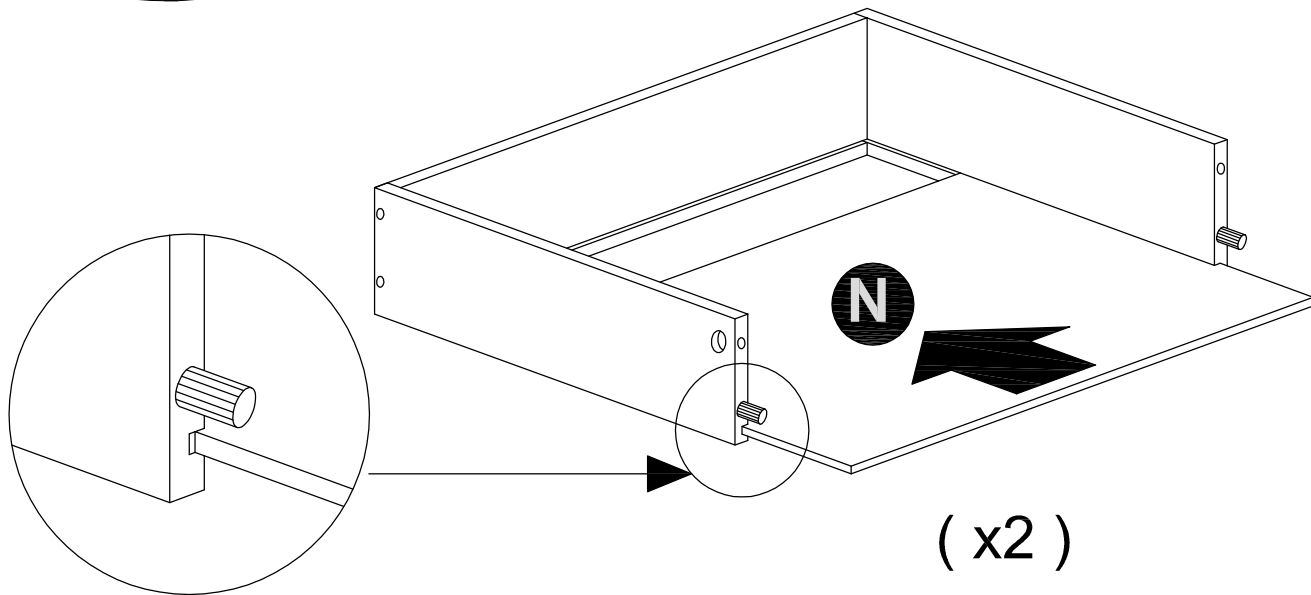


STEP 20

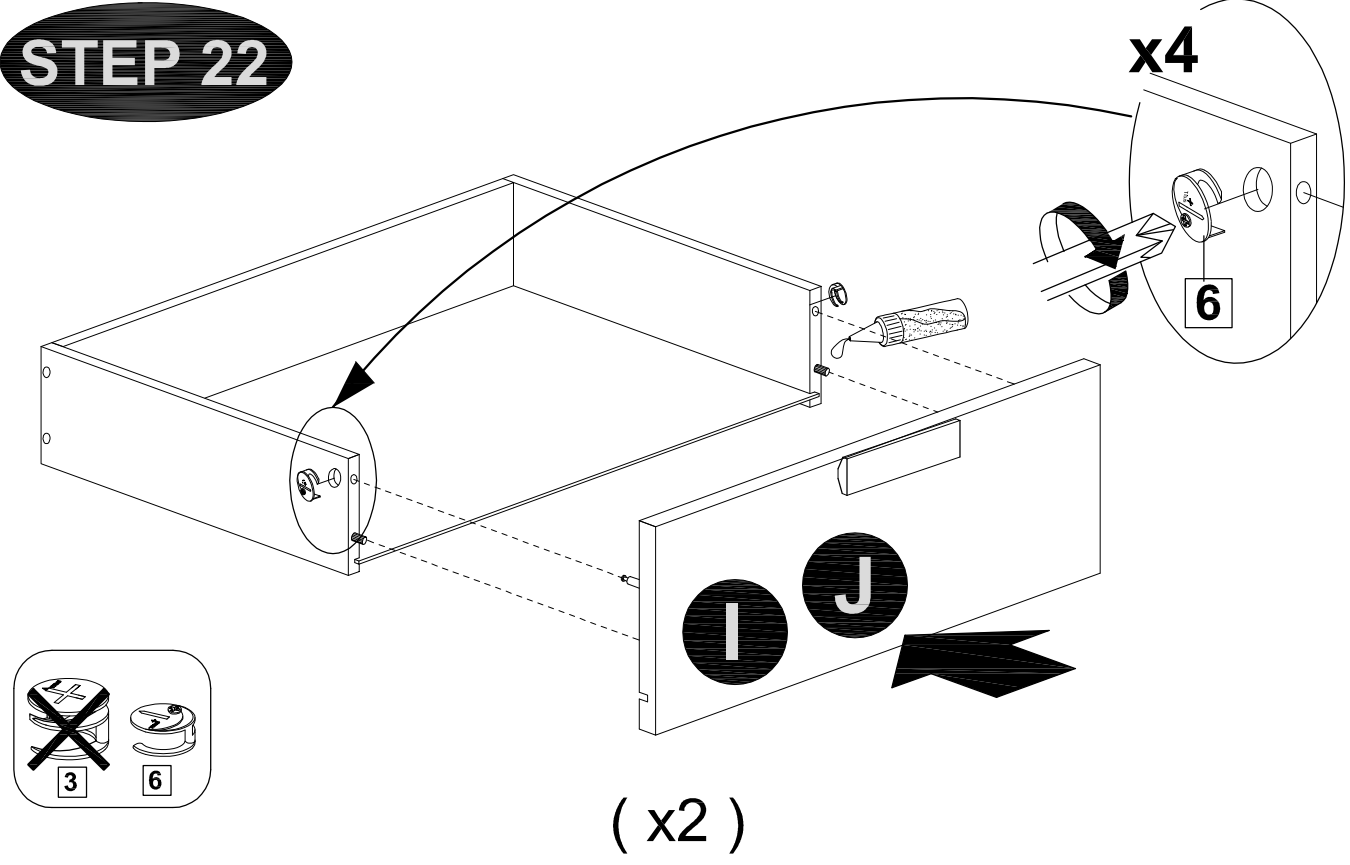


DESCRIPTION: **CAMBOURNE**
3+2 DRAWER CHEST

STEP 21

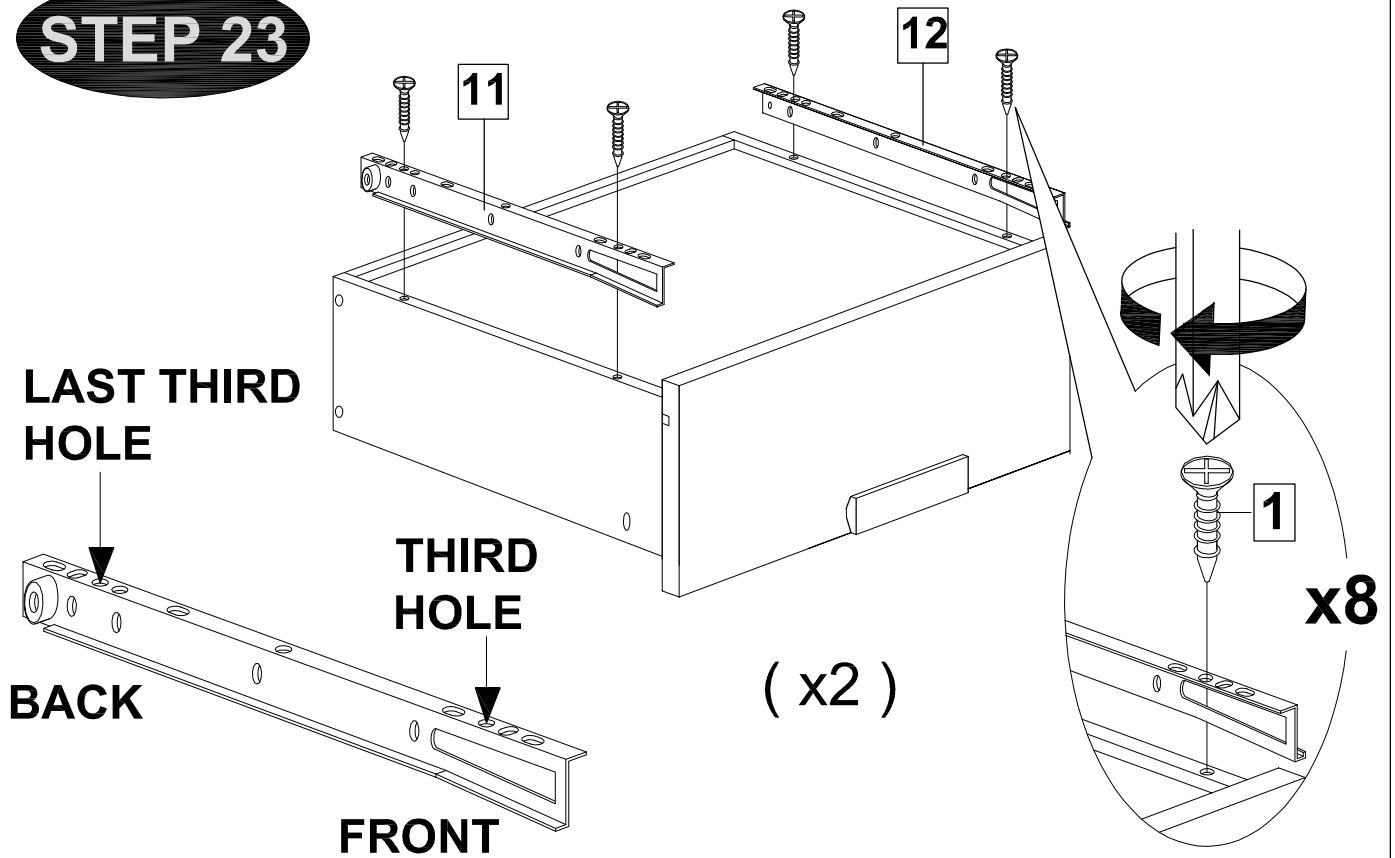


STEP 22

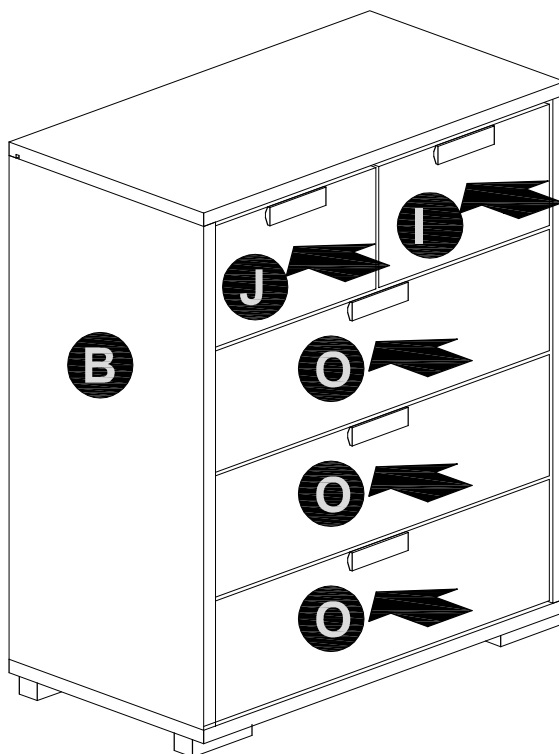


DESCRIPTION:
CAMBOURNE
3+2 DRAWER CHEST

STEP 23



STEP 24

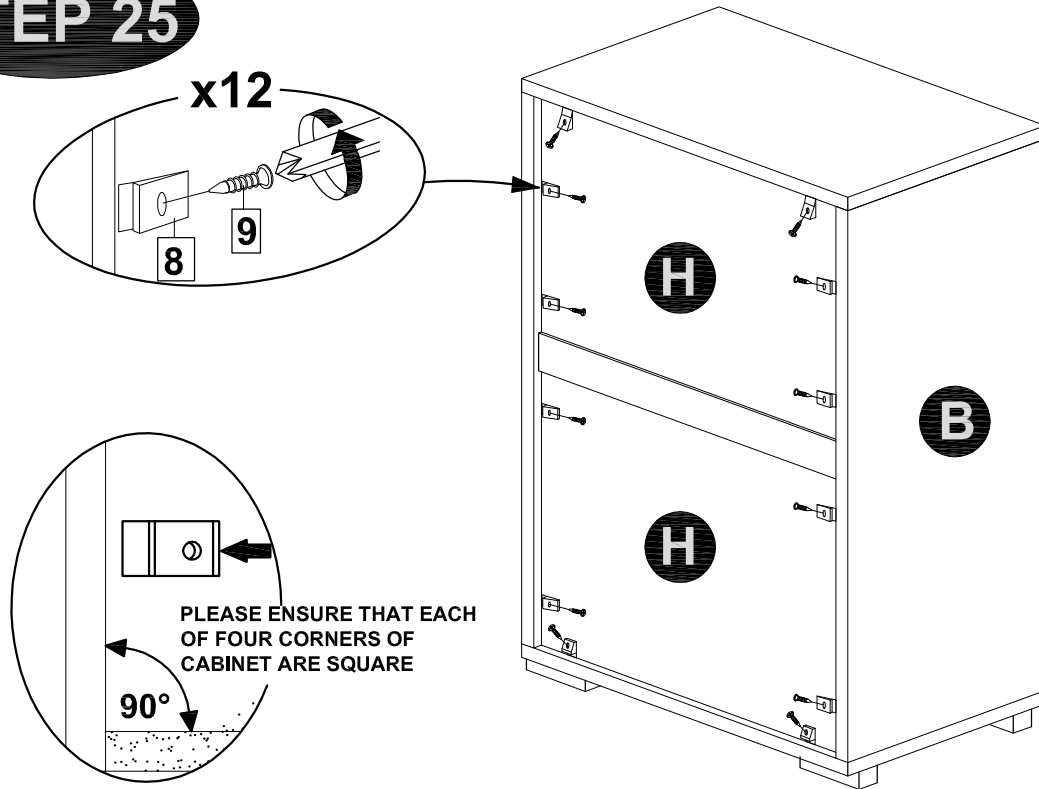


DESCRIPTION:

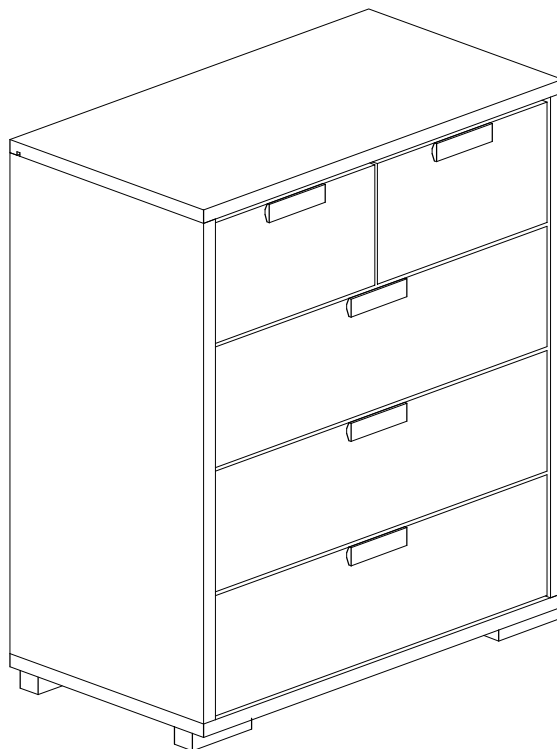
CAMBOURNE

3+2 DRAWER CHEST

STEP 25



STEP 26



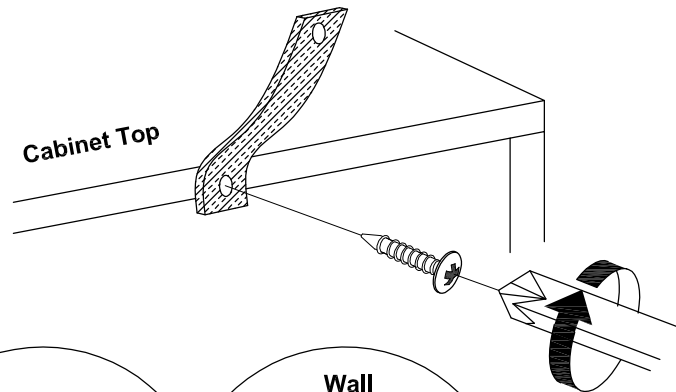
DESCRIPTION:

CAMBOURNE 3+2 DRAWER CHEST

FITTING OF ANTI-TIP BRACKET

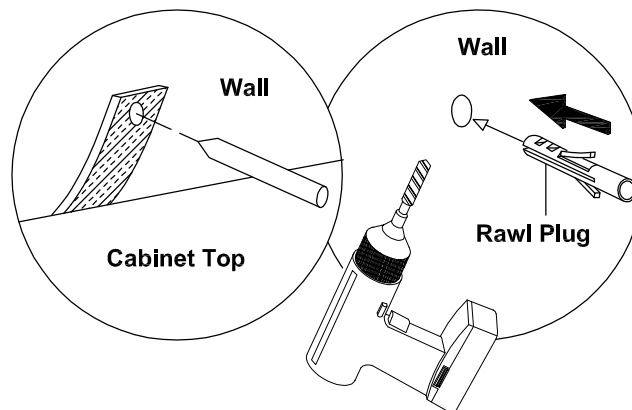
STEP 1 :

Insert screws through bracket into pre-drilled holes in cabinet.



STEP 2 :

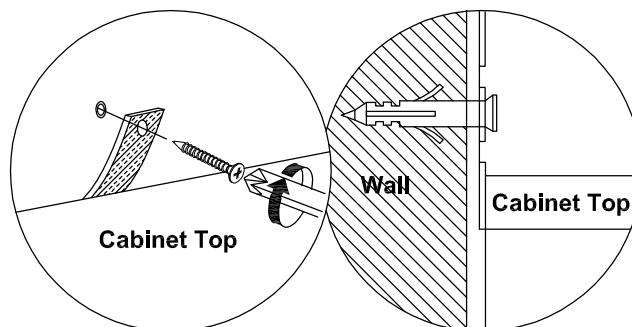
Make a mark on the wall through the bracket.



Drill a hole in the wall and insert the rawl plug.

STEP 3 :

Insert screw through bracket into hole in wall



NOTE : Wall fixings are not supplied with this product as different wall materials require different types of fixing devices (such as Rawl plugs on brick work). You must use fixing devices suitable for the type of wall you intend to mount this product to. Please ensure that the head of any screw used as a diameter greater than the diameter of the mounting hole on the bracket and that the fixing is safe and secure before use.

The screw supplied is to fix the anti-tip strap to the cabinet.

HARDWARE LIST



Anti-Tip Strap - 2pcs



M4 x 16MM - 2pcs