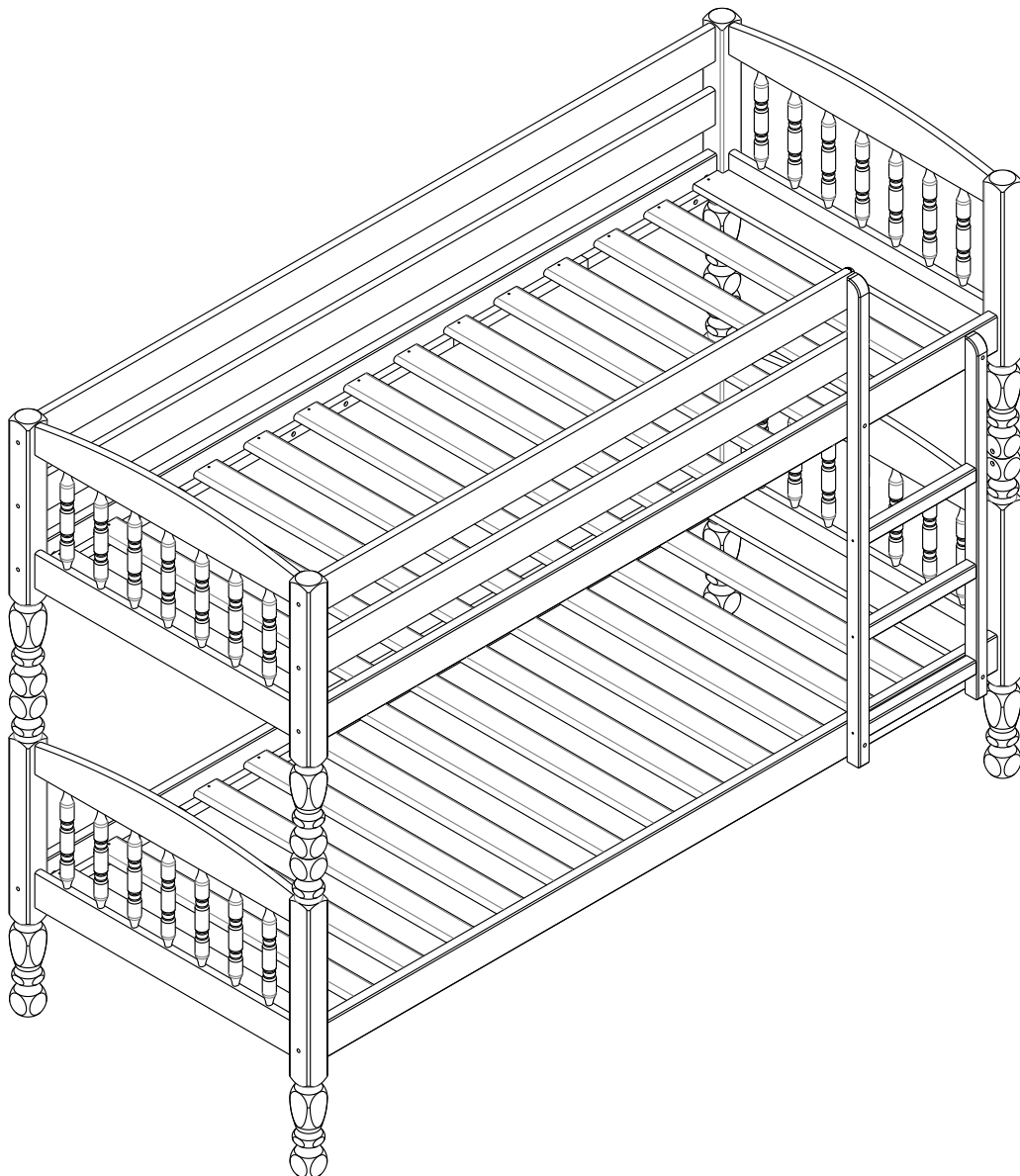


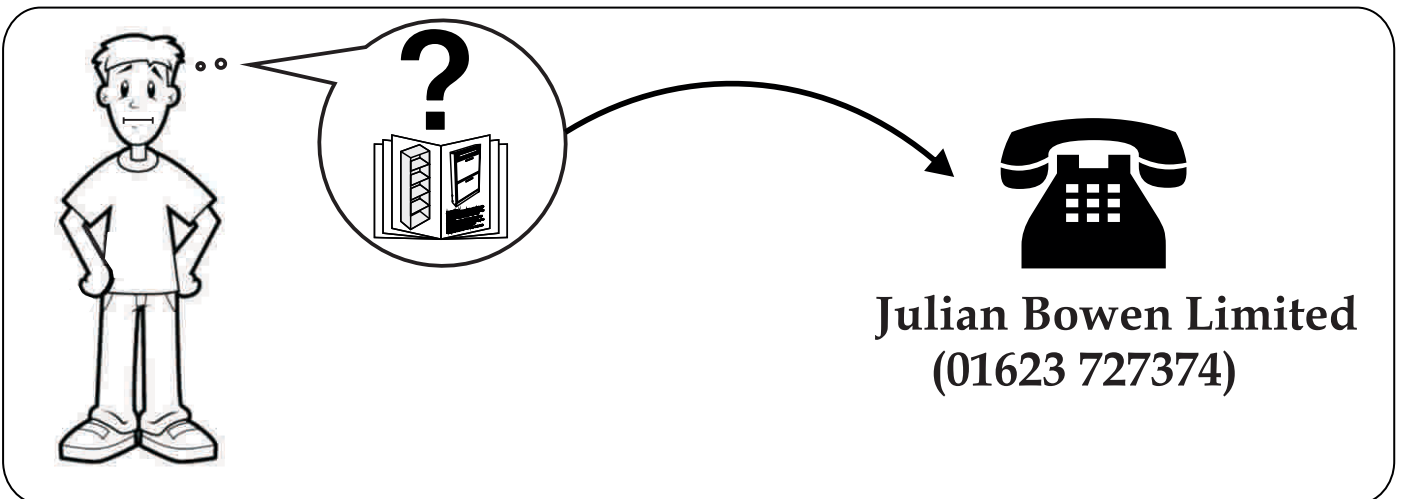
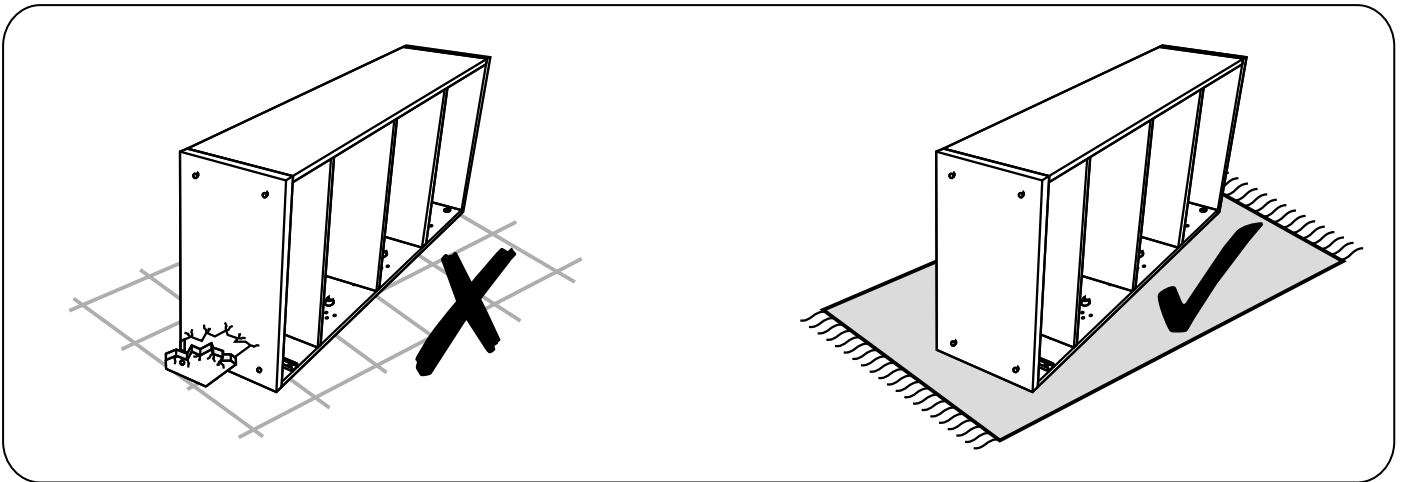
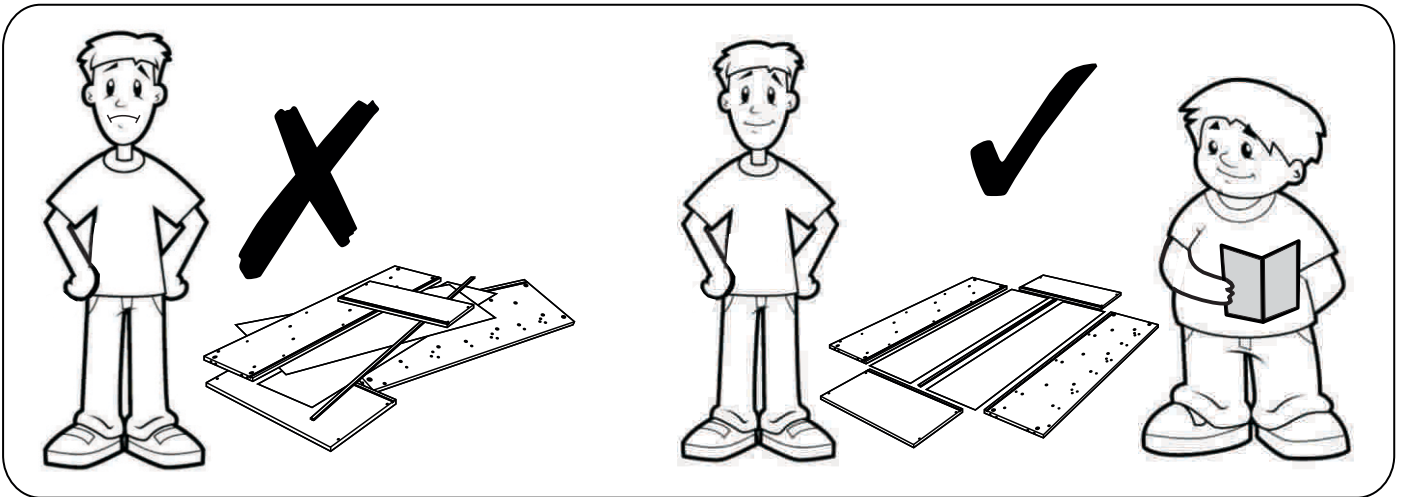
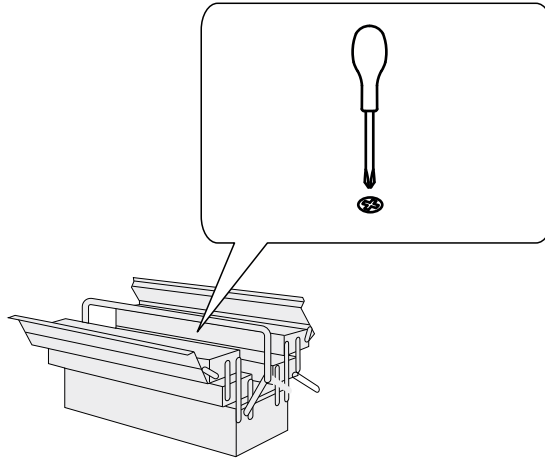
**IMPORTANT - READ CAREFULLY - RETAIN  
FOR FUTURE REFERENCE**

# **Julian Bowen Limited**

## **Lincoln Bunk Bed 76cm**

### **Assembly Instructions**





**Julian Bowen Limited**  
**(01623 727374)**

# HARDWARE



A

4x



B

28x



C

8x



D

8x



E

6x



F

70x



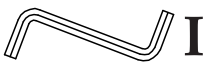
G

4x



H

4x



I

1x



J

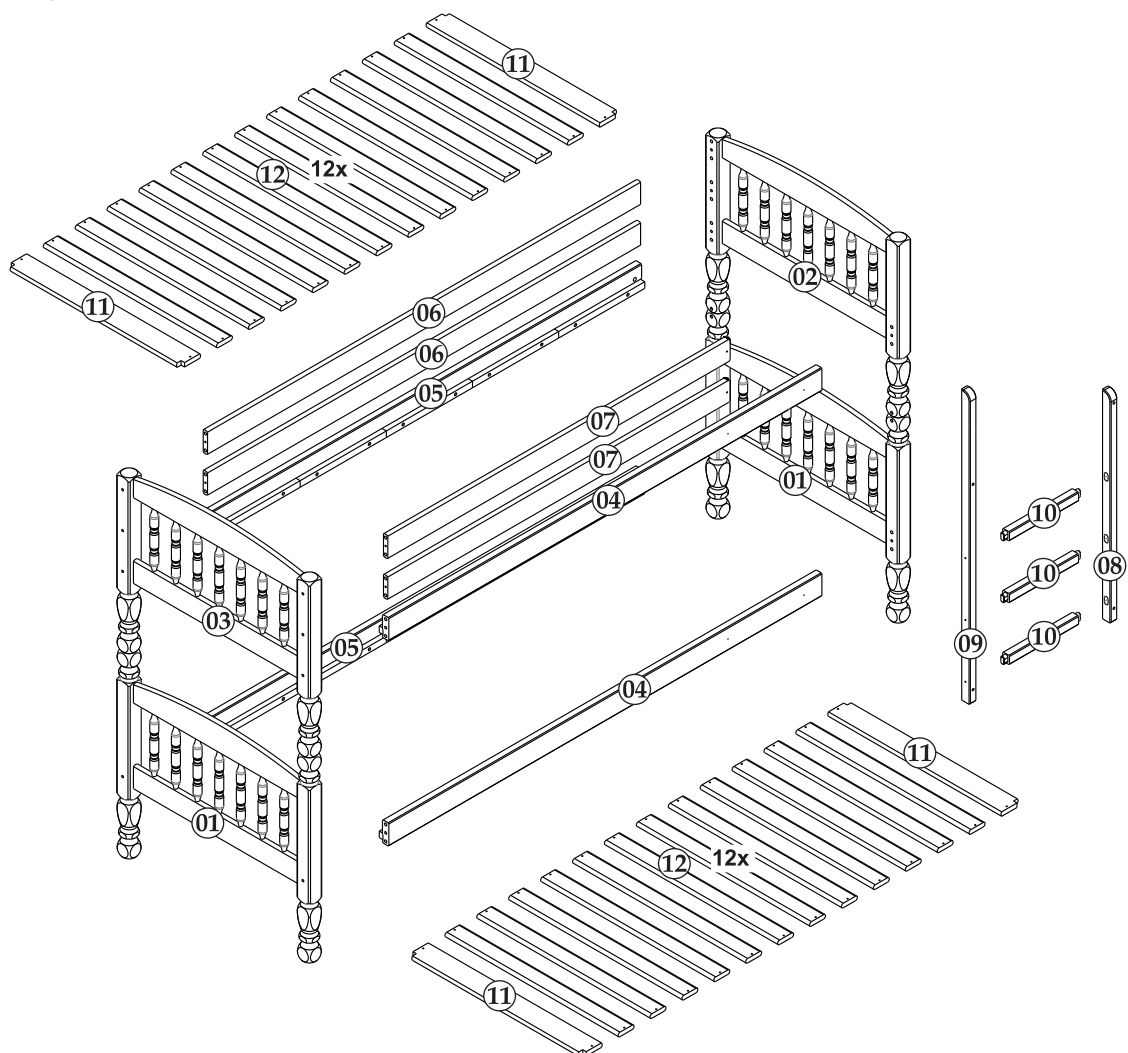
2x



L

2x

# PARTS



## IMPORTANT INFORMATION

**WARNING** – High Beds and the upper bed of bunk beds are not suitable for children under six years due to the risk of injury from falls.

**WARNING** – Bunk beds and high beds can present a serious risk of injury from strangulation if not used correctly. Never attach or hang items to any part of the bunk bed that are not designed to be used with the bed, for example, but not limited to ropes, strings, cords, hooks, belts and bags.

**WARNING** – Children can become trapped between the bed and the wall, a roof pitch, the ceiling, adjoining pieces of furniture (e.g. cupboards) and the like. To avoid risk of serious injury the distance between the top safety barrier and the adjoining structure shall not exceed 75mm or shall be more than 230mm.

**WARNING** – Do not use the bunk bed/high bed if any structural part is broken or missing.

It is recommended that you always follow the manufacturer's instructions to assemble this product.

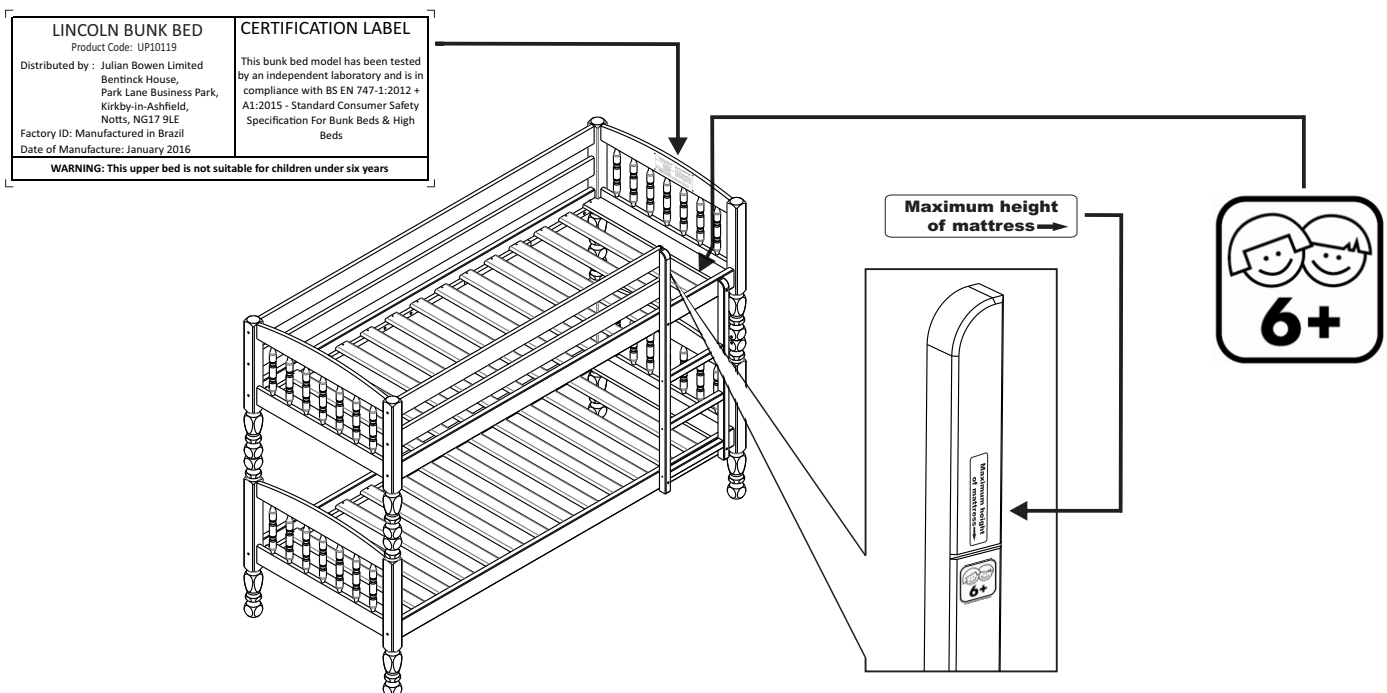
Always follow the manufacturer's recommended mattress size, as per these instructions and the bunk bed / high bed maximum mattress height marking on the item:

“76cm W 190cm L with a Maximum Depth of 18.5cm.”

It is necessary to frequently ventilate the room in order to keep the humidity low and to prevent mold in and around the bed.

Please periodically check all the fixings of the item and re-tighten when necessary.

This item conforms to European Safety Standards – BS EN 747-1: 2012 + A1:2015.



# Safety Advice

Please take the time to carefully read through the whole of these instructions before you commence.

Keep these instructions for future reference.

Unpack, inspect and check off all of the contents.

Please dispose of all packaging safely.

Small component parts could choke a child if swallowed.

We strongly recommend that you keep children well away from the work area.

It would be sensible to lay a sheet or blanket on the floor where you intend to work to avoid scratching this product and to protect your floor.

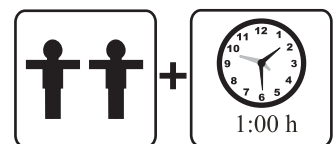
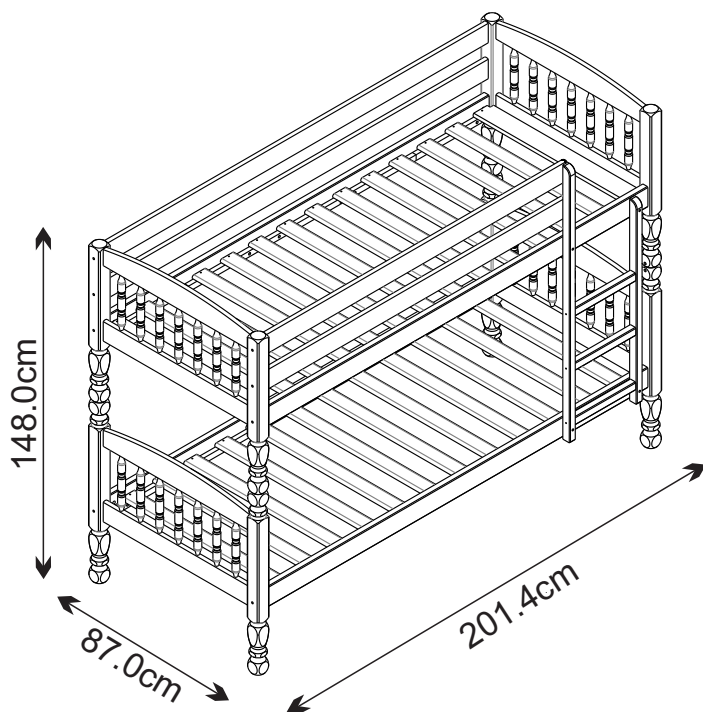
This product is heavy. Take extreme care when lifting to avoid personal injury or damage to the product.

Assemble the product as close to its intended final position in the room as possible.

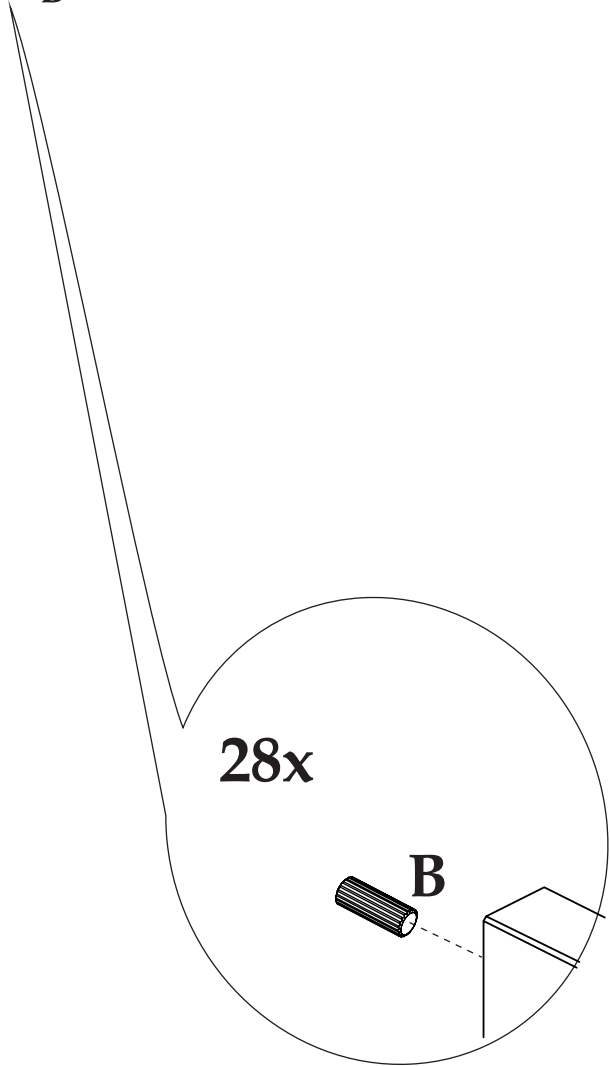
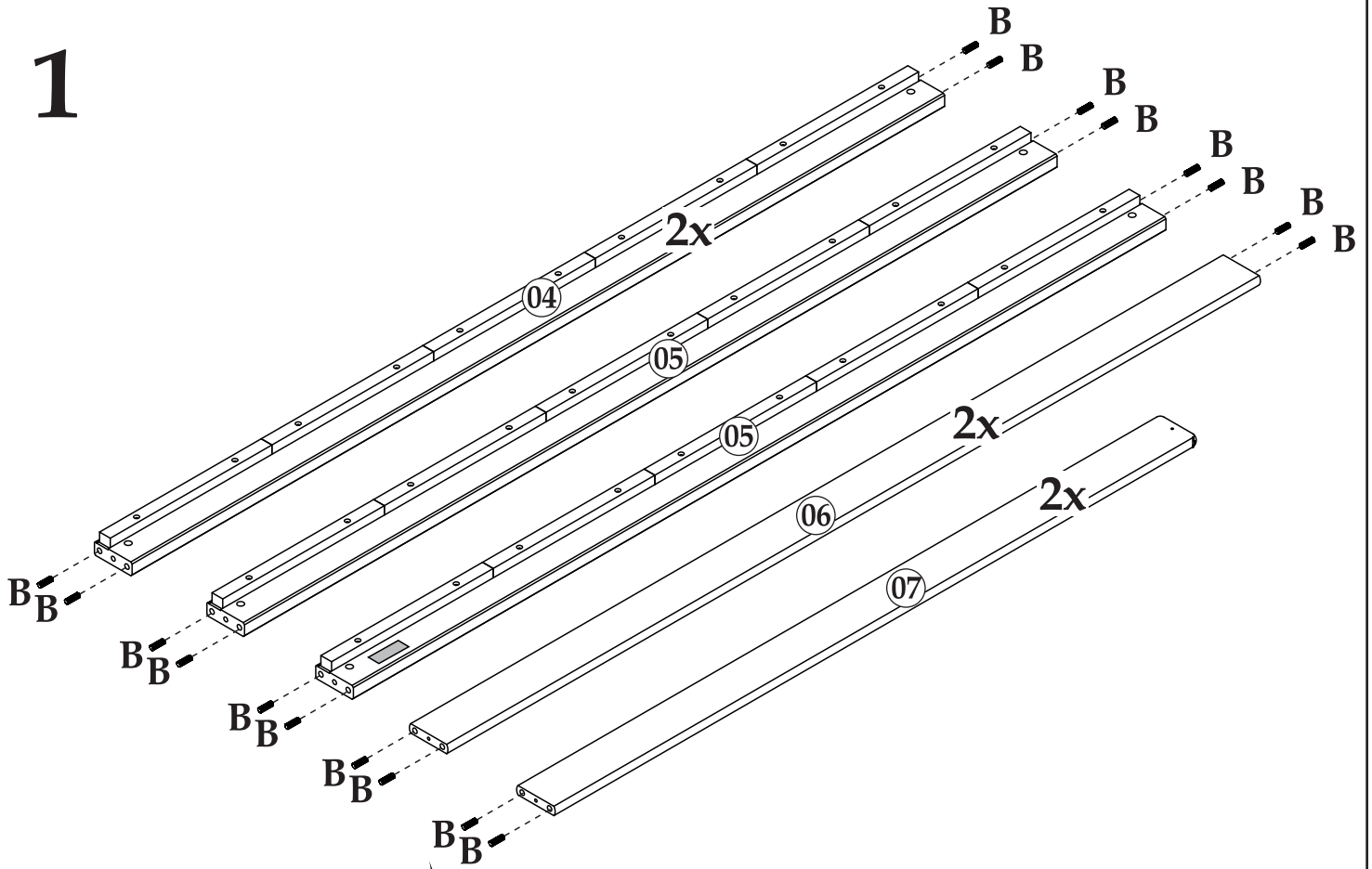
Please check the contents of boxes before attempting to assemble this product. A full checklist of parts and fittings is given in page 3 of this instruction leaflet .

This bunk bed is not designed to be split for use as 2 single beds.

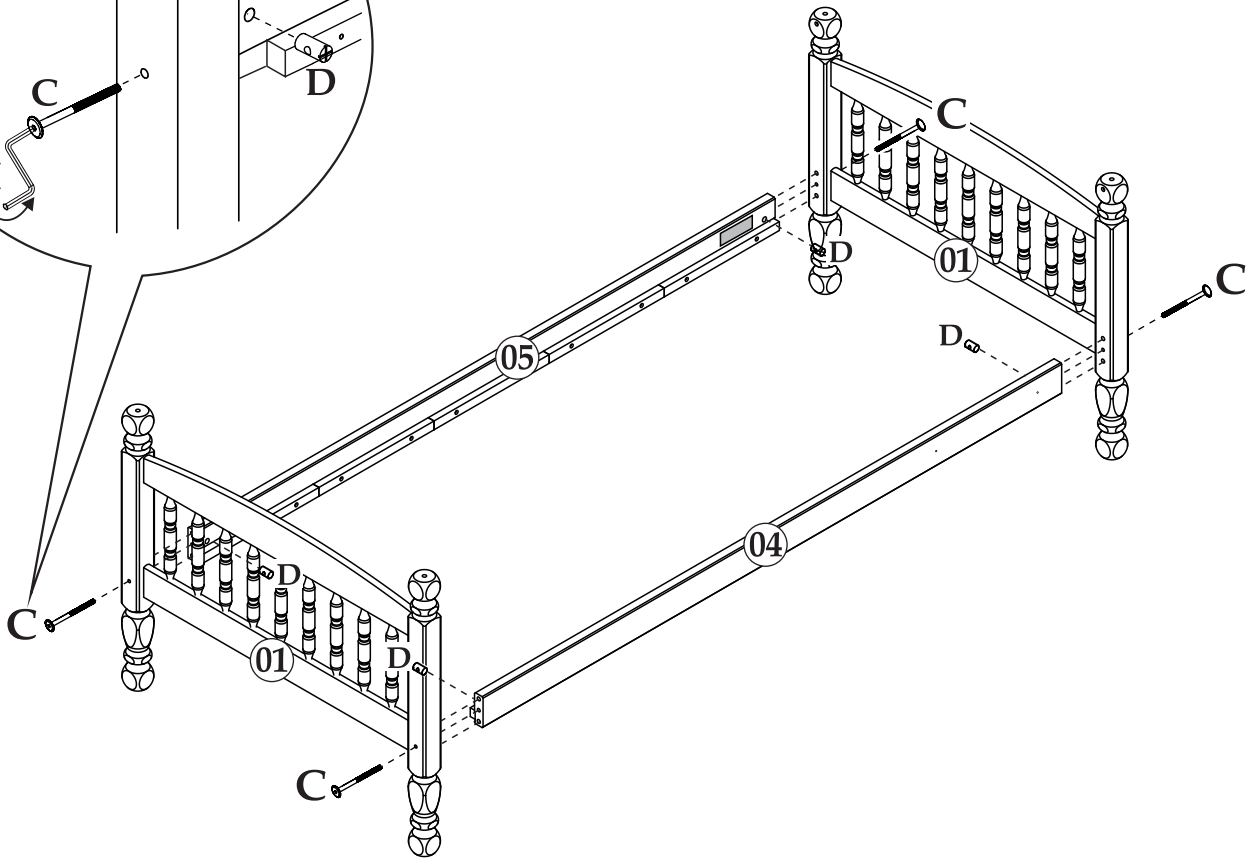
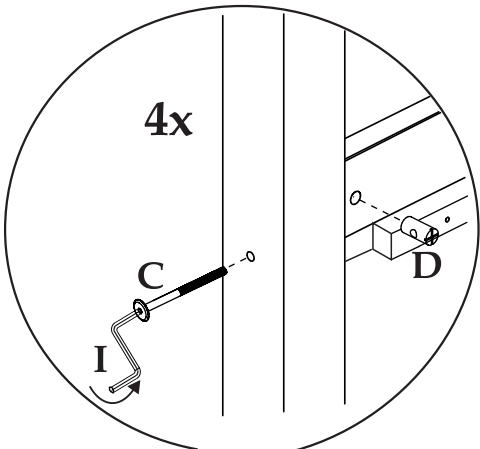
**HANDY HINT:** If you keep the hardware in a bowl during assembly you will be less likely to lose them.



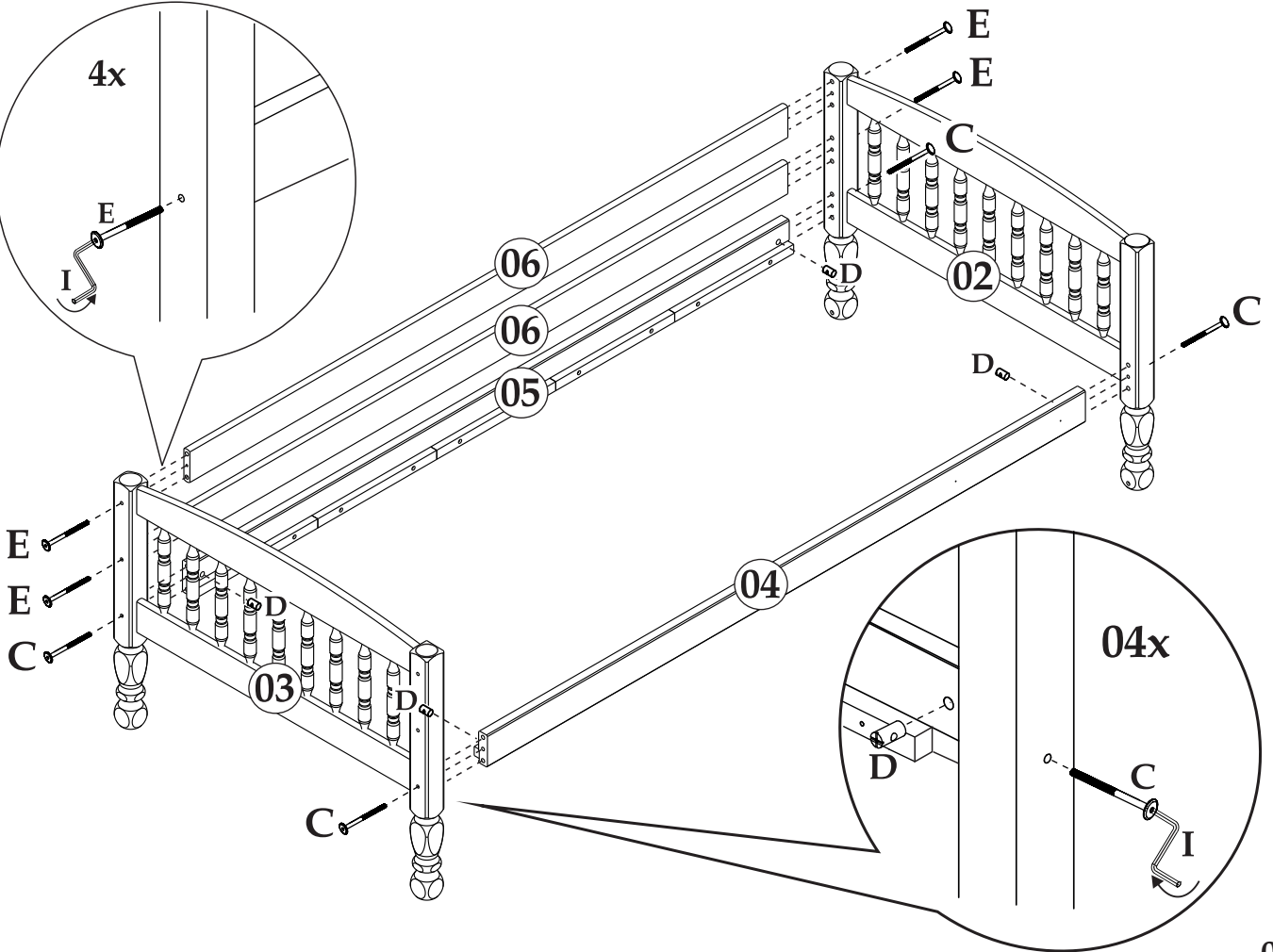
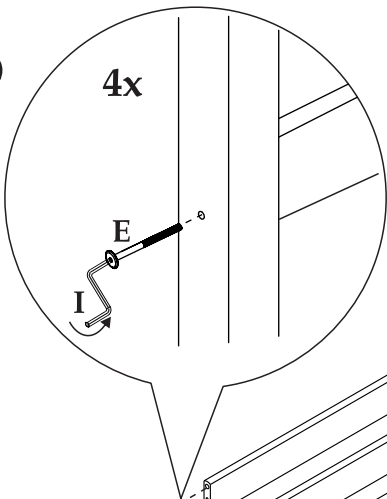
1



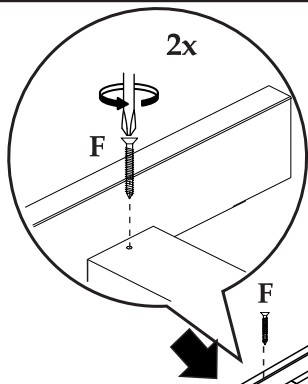
2



3



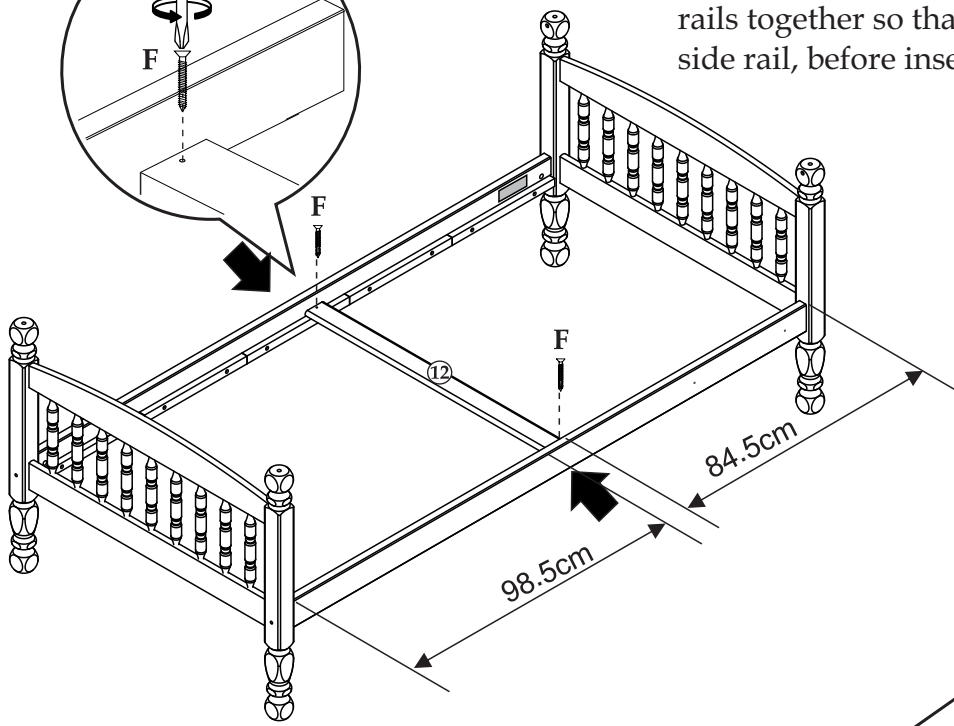
# 4



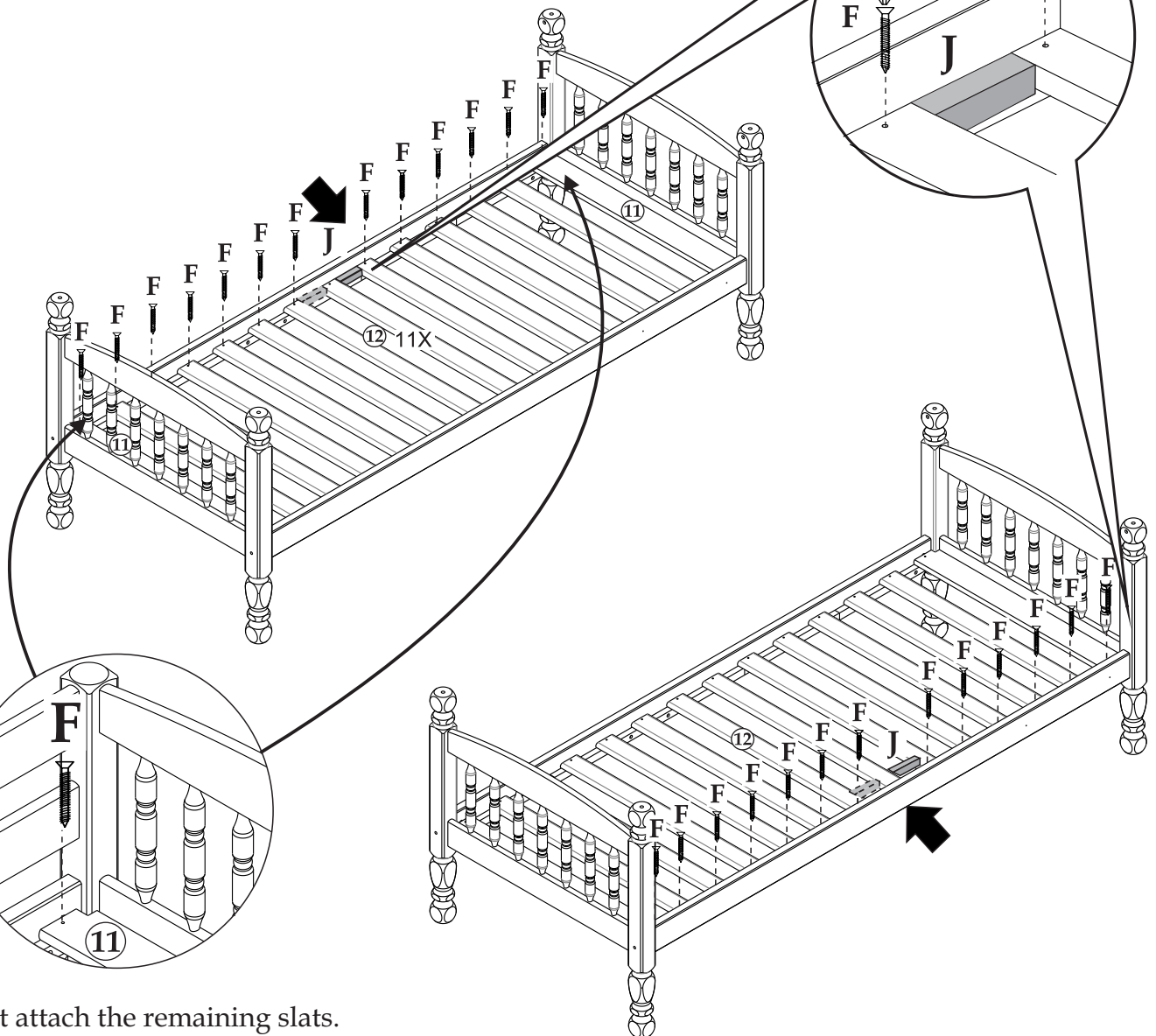
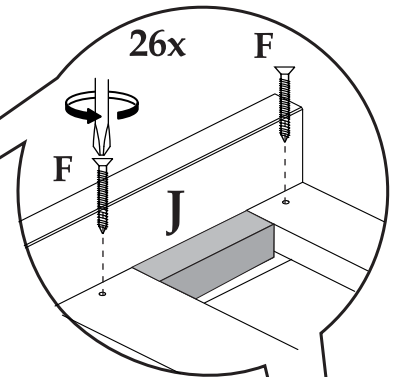
Attach the centre slat first by pushing the side rails together so that the slat is flush against the side rail, before inserting the screws.



Do Not Use Power Tools



# 5

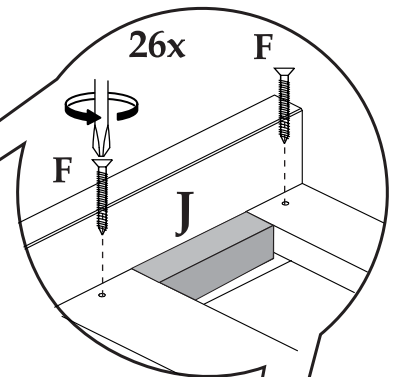
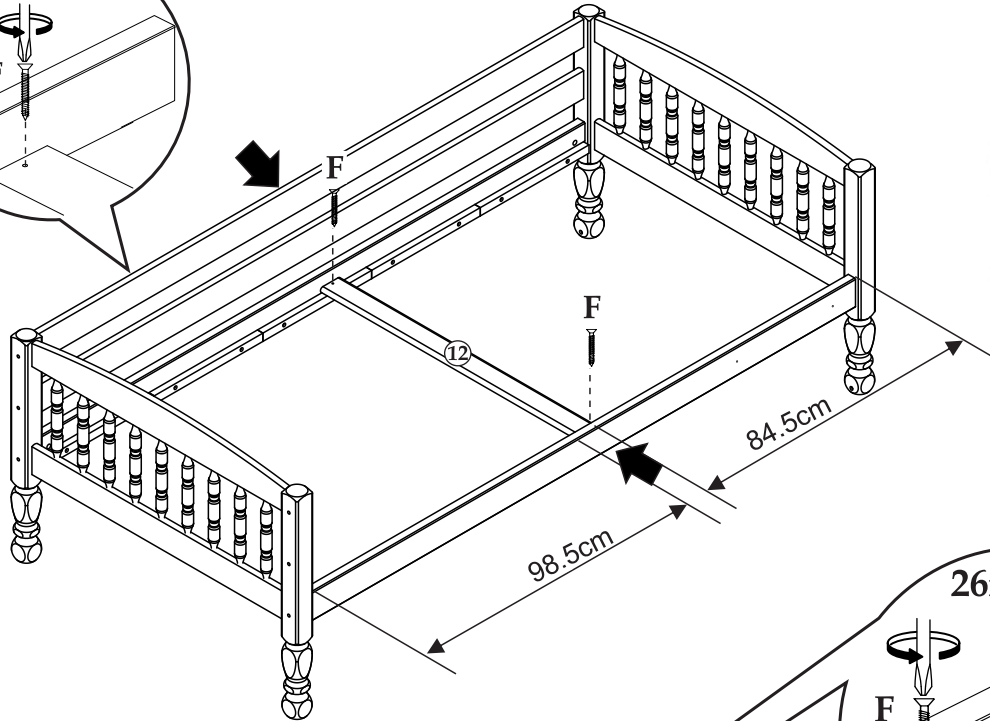
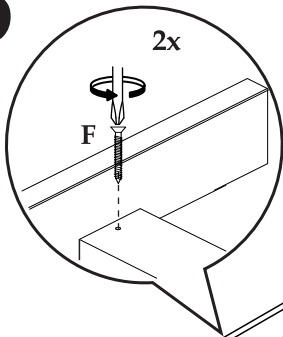


Next attach the remaining slats.  
Place the slats onto the side rail supports and  
distribute evenly by using the spacer provided.

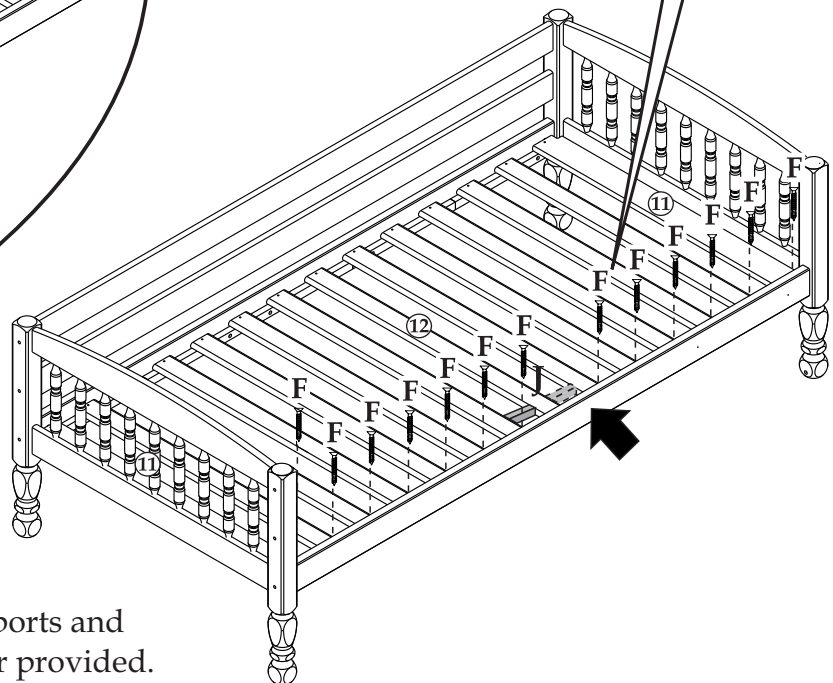
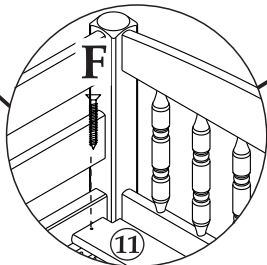
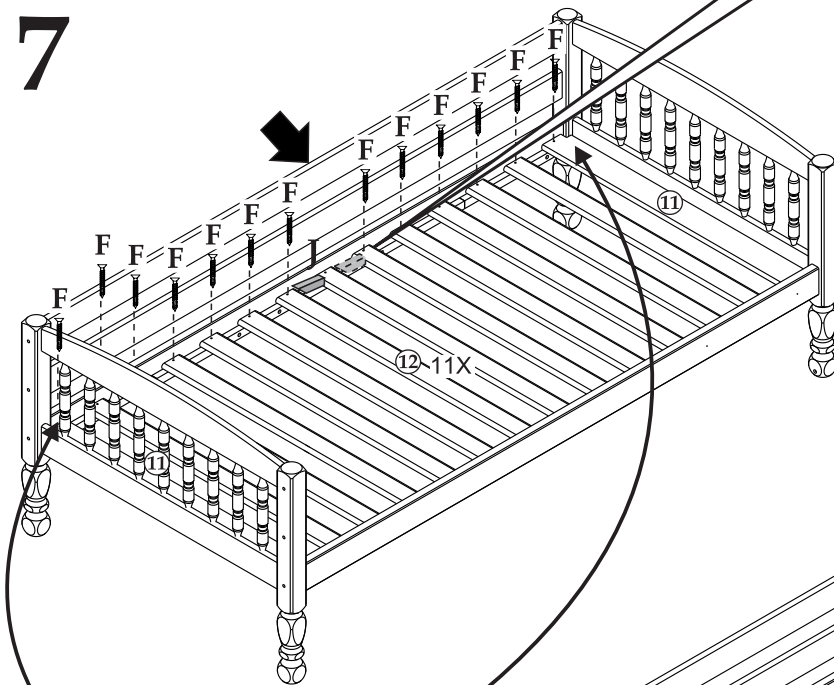


6

Attach the centre slat first by pushing the side rails together so that the slat is flush against the side rail, before inserting the screws.

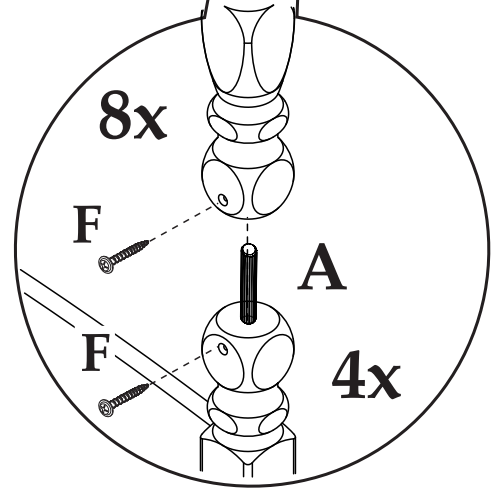
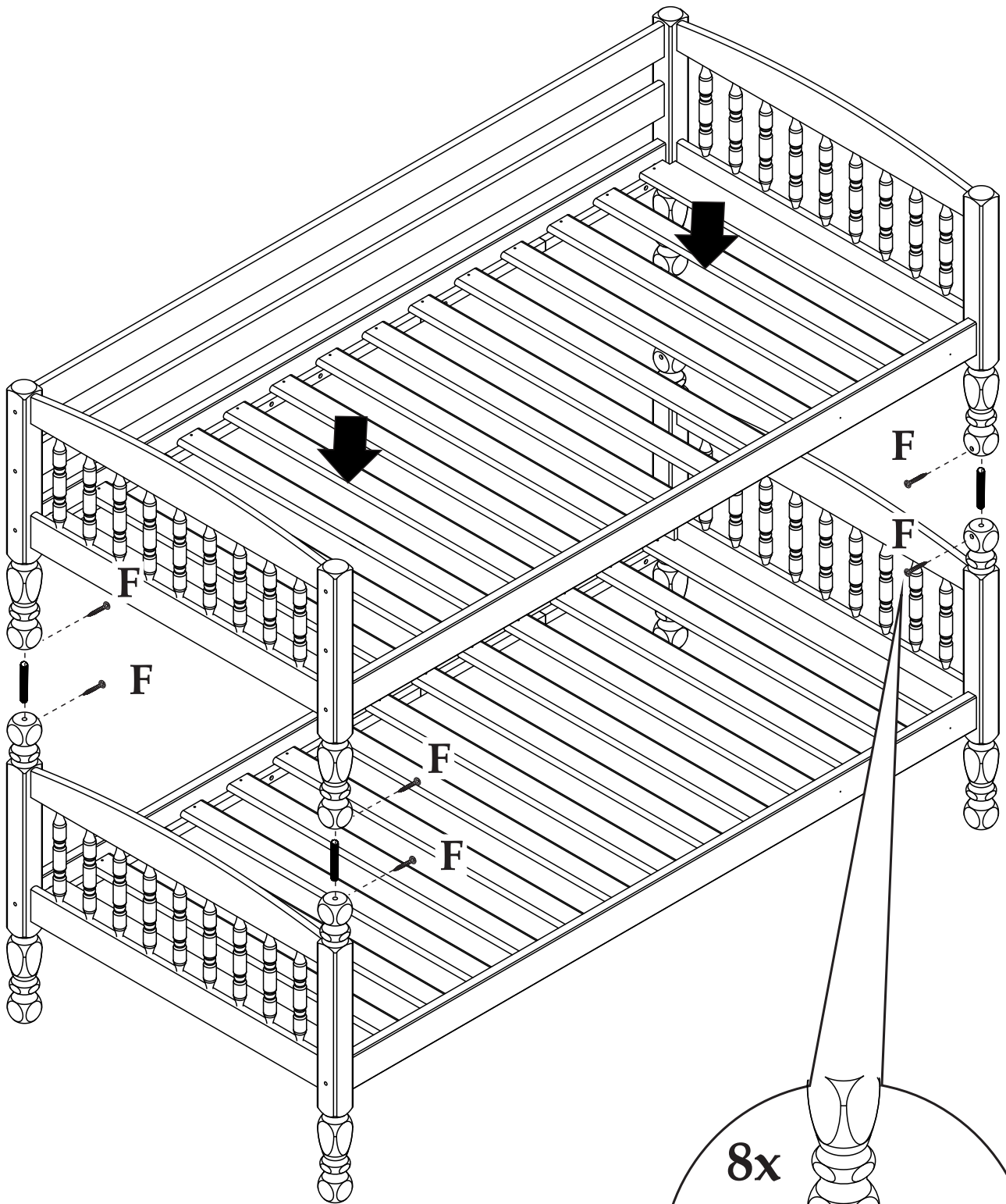


7



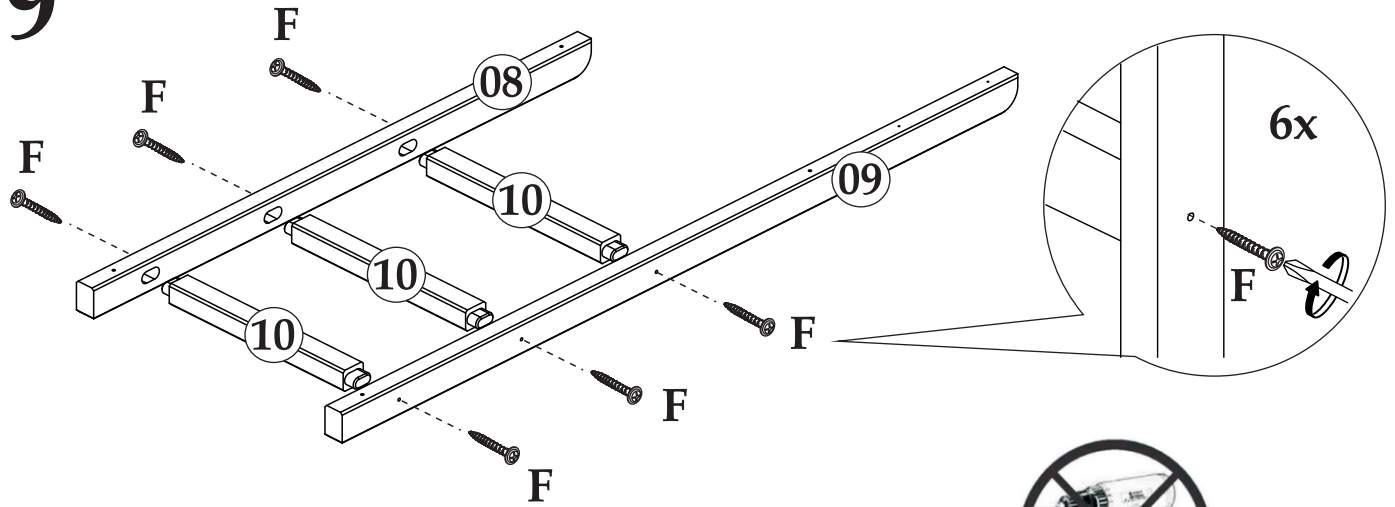
Next attach the remaining slats.  
Place the slats onto the side rail supports and  
distribute evenly by using the spacer provided.

8

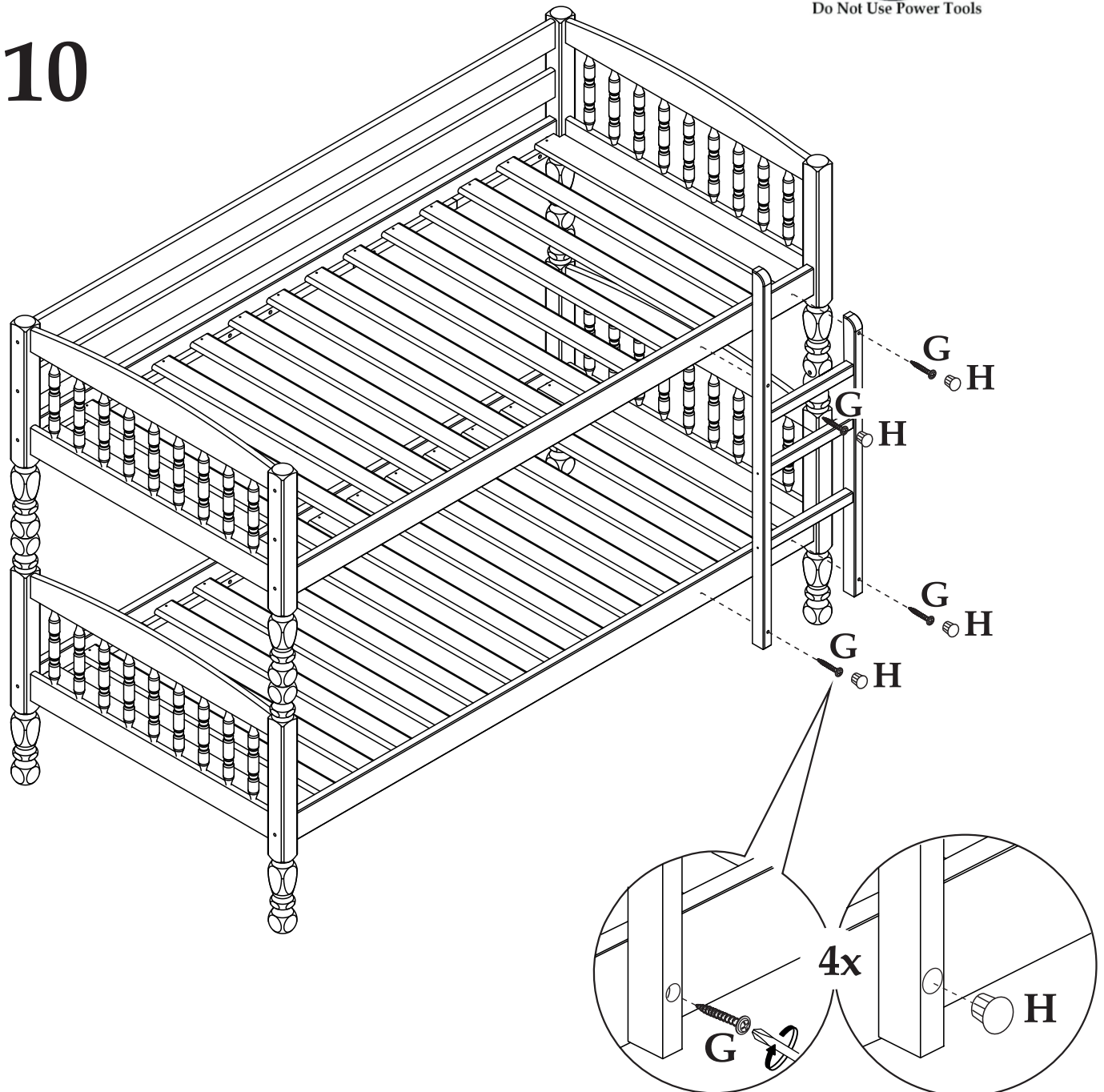


Do Not Use Power Tools

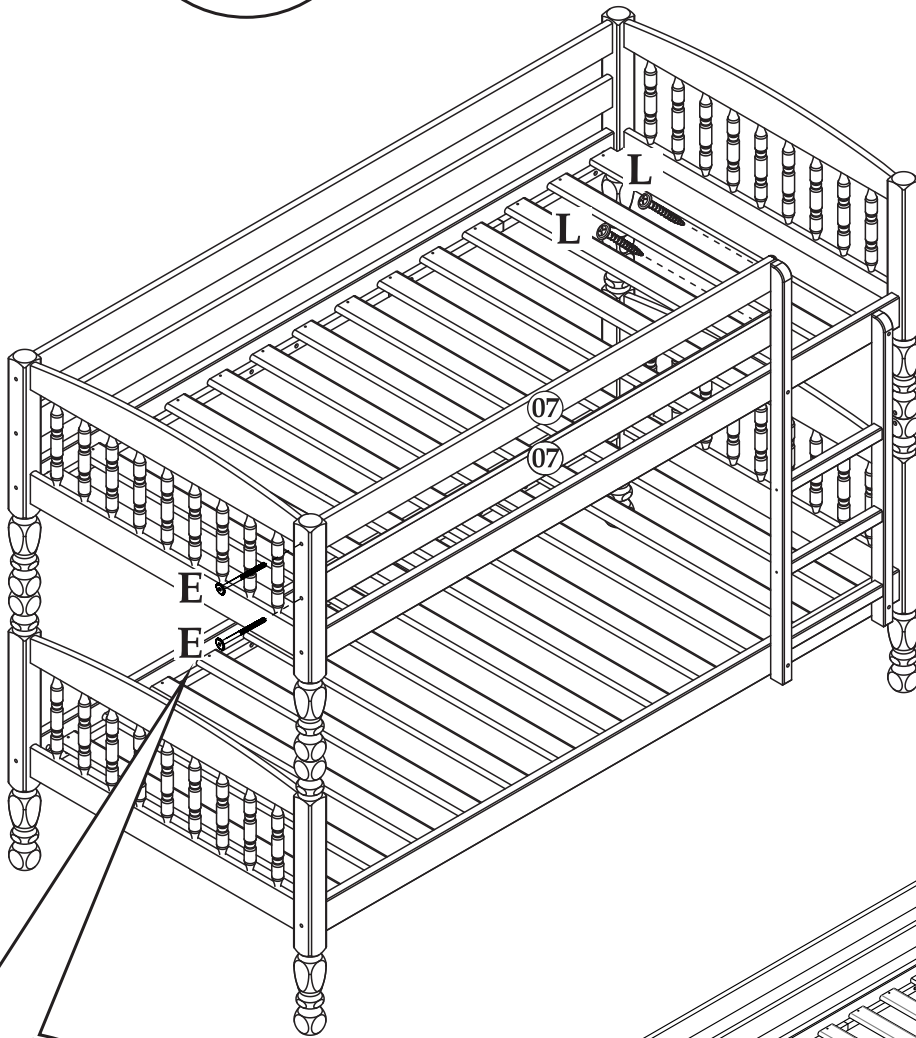
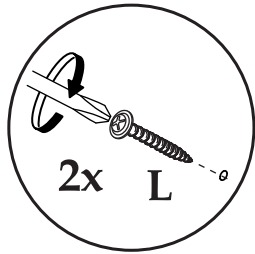
# 9



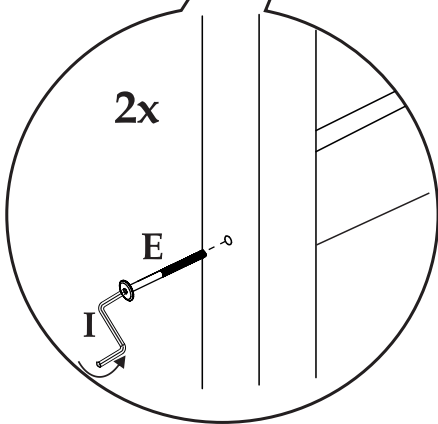
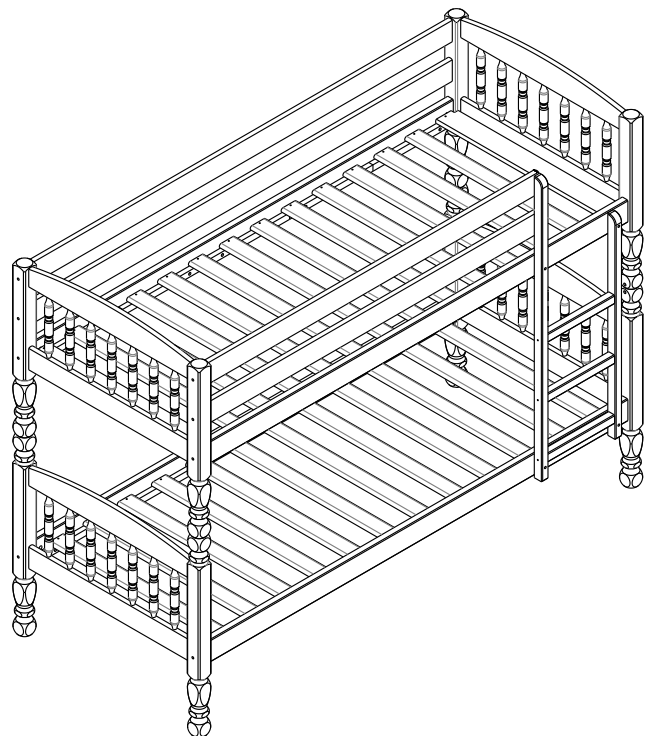
# 10



# 11



Do Not Use Power Tools



## **General Care**

Wipe clean with a slightly damp soft cloth.  
Avoid the use of all household cleaners and abrasives.  
When moving your furniture, carefully lift into place.  
Never drag or push the pieces across the floor as this will cause damage to the joints and could result in failure to the product that will invalidate the warranty.

## **Recommendations**

Periodical re-tightening of fixings.

## **Warning**

This unit is heavy. Please use an assistant when lifting.

## **Notes**

We've tried to make this piece of furniture as easy to assemble as possible.  
In the unlikely event that you have problems putting it together or have damaged or missing pieces, please contact our customer services on 01623 727374.

## **Julian Bowen Limited**

Bentinck House, Park Lane Business Park, Kirkby-in-Ashfield,  
Notts, NG17 9LE - [www.julian-bowen.co.uk](http://www.julian-bowen.co.uk)