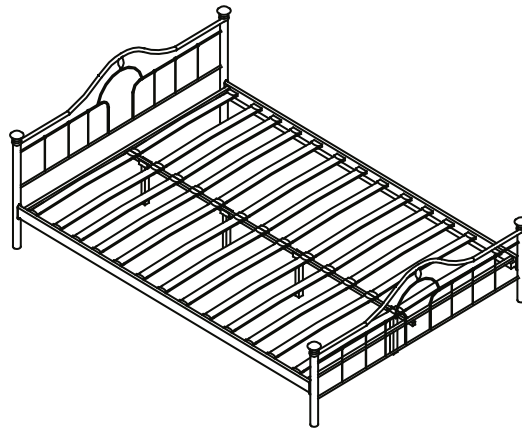


KESWICK 4'6" BED ASSEMBLY INSTRUCTION



FOR DOMESTIC USE ONLY
IMPORTANT

PLEASE READ BEFORE YOU CONTINUE FURTHER

THE PRODUCTS YOU HAVE PURCHASED WILL GIVE YOU MANY YEARS OF SERVICE IF YOU FOLLOW THE GUIDELINES FOR ITS SAFE ASSEMBLY AND PERIODIC MAINTENANCE AND CLEANING

ASSEMBLE ON A SOFT CLEAN SURFACE.

DO NOT USE ANY TOOLS OTHER THAN THOSE SHOWN.

ANY SPANNERS AND ALLEN KEYS REQUIRED ARE INCLUDED WITH THE FITTINGS KIT.

DO NOT FOR ANY REASON USE POWER TOOL TO ASSEMBLE THIS PRODUCT. ITS USE WILL INVALIDATE ANY CLAIM AND MAY DAMAGE THIS PRODUCT MAKING IT UNSAFE.

DEPENDING ON THE AMOUNT OF USE THIS PRODUCT RECEIVES IT MAY BE NECESSARY TO TIGHTEN UP THE FIXINGS FROM TIME TO TIME.

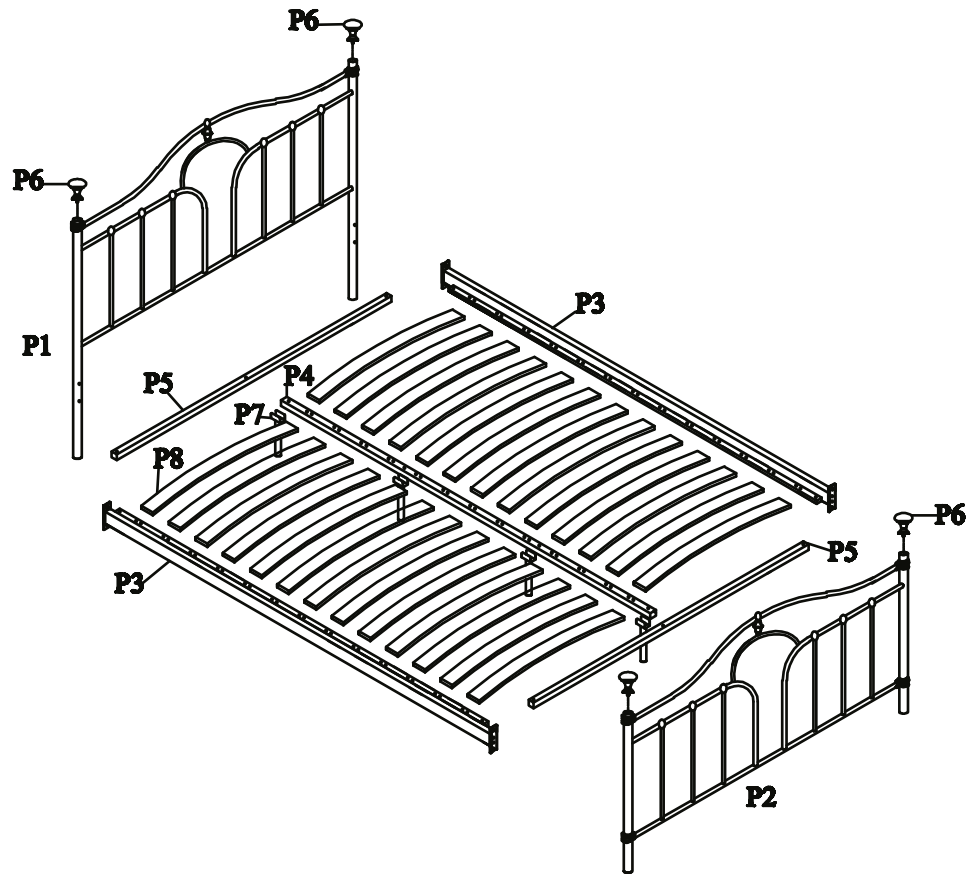
DO NOT OVERTIGHTEN FIXINGS.

FOR CLEANING, YOU MAY USE A DAMP CLOTH (NOT WET) DO NOT USE POLISH, DETERGENT OR CHEMICAL CLEANERS.

THE SURFACE OF THIS ITEM IS NOT HEAT RESISTANT. ALWAYS USE A PLACE MAT UNDER HOT OR COLD ITEMS TO PREVENT MARKING.

PLEASE CHECK THAT YOU HAVE ALL THE PARTS LISTED BEFORE YOU START ASSEMBLING. IF YOU DO FIND THAT SOMETHING IS MISSING, DO NOT CONTINUE ASSEMBLY. PLEASE CONTACT YOUR SUPPLIER IMMEDIATELY .

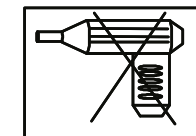
PARTS LIST					
PART NO.:	DESCRIPTION	QTY	PART NO.:	DESCRIPTION	QTY
P1	HEADBOARD	1	P7	SUPPORT LEG	4
P2	FOOTBOARD	1	P8	SLAT	26
P3	SIDERAIL	2			
P4	CENTRE RAIL	1			
P5	CROSS RAIL	2			
P6	FINIAL	4			



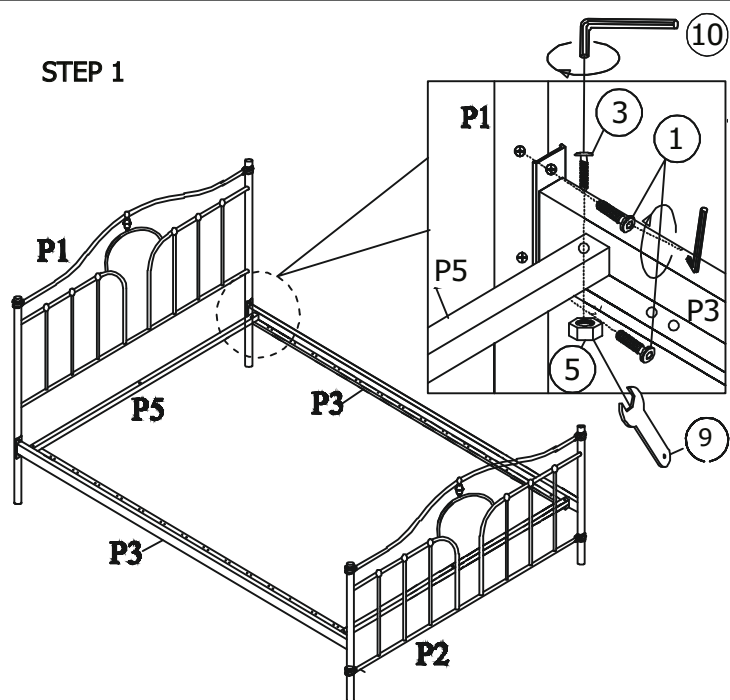
HARDWARE LIST

PART NO.:	DESCRIPTION		QTY
①	Ø6*20MM ALLEN BOLT		8
②	Ø6*35MM ALLEN BOLT		6
③	Ø6*45MM ALLEN BOLT		4
④	Ø6*60MM ALLEN BOLT		2
⑤	NUT M6		12
⑥	M6 FLAT WASHER		8
⑦	SIDE SLAT HOLDER		26
⑧	CENTRE SLAT HOLDER		13
⑨	SPANNER 10MM		1
⑩	M4 ALLEN KEY		1

THE USE OF POWER TOOLS TO ASSEMBLE THIS PRODUCT WILL INVALIDATE ANY CLAIM AND MAY DAMAGE THIS PRODUCT MAKING IT UNSAFE



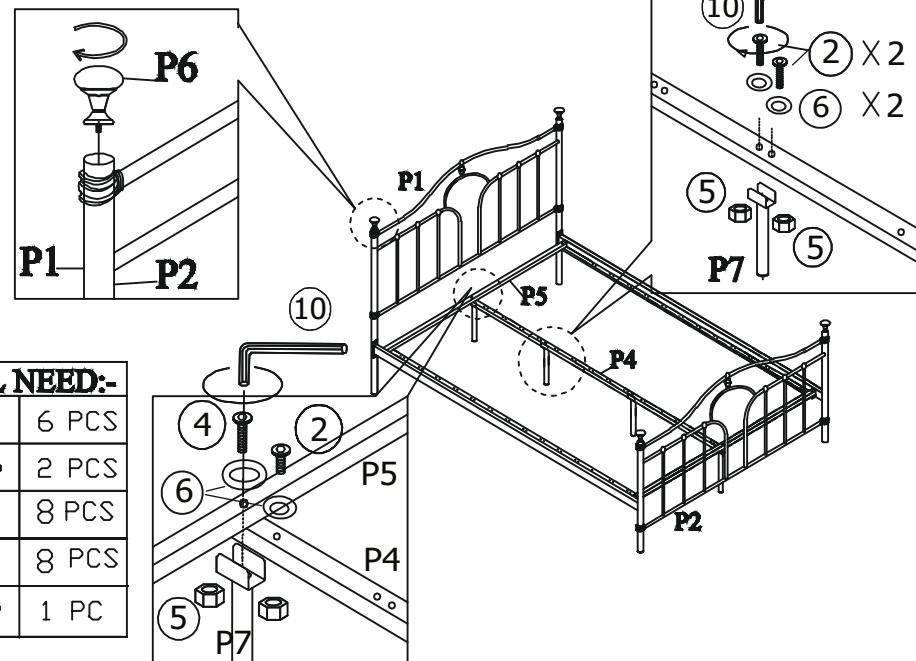
STEP 1



YOU WILL NEED:-

①		8 PCS
③		4 PCS
⑤		4 PCS
⑨		1 PCS
⑩		1 PCS

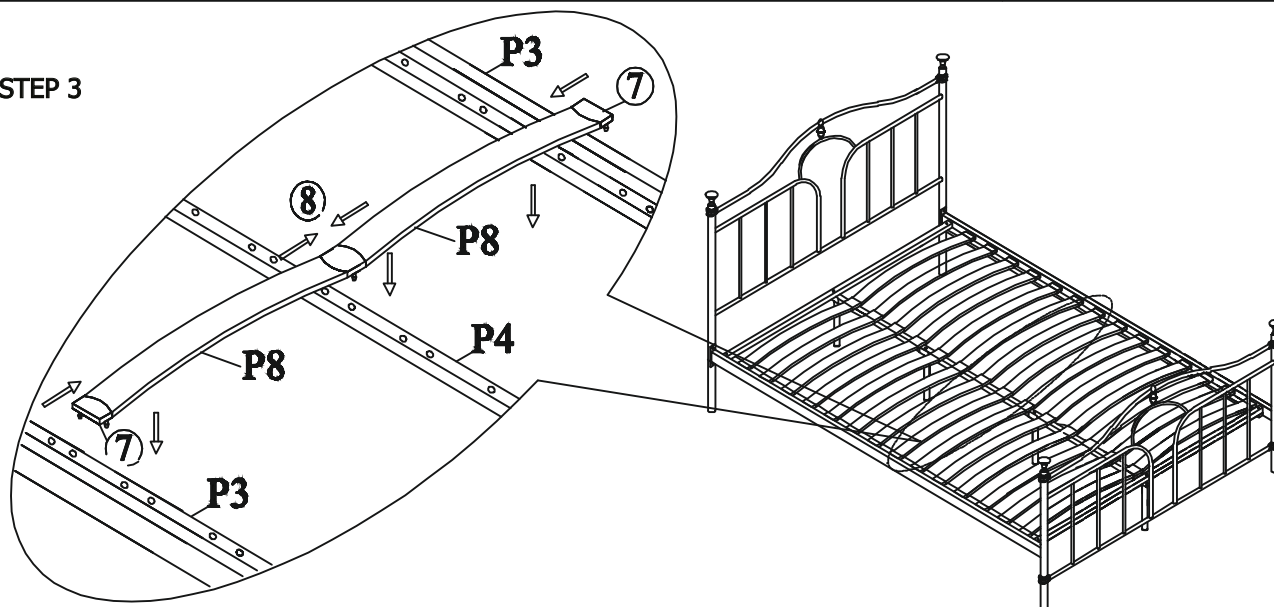
STEP 2



YOU WILL NEED:-

②		6 PCS
④		2 PCS
⑤		8 PCS
⑥		8 PCS
⑩		1 PC

STEP 3



YOU WILL NEED:-

⑦		26 PCS
⑧		13 PCS

THE USE OF POWER TOOLS TO ASSEMBLE THIS PRODUCT WILL INVALIDATE ANY CLAIM AND MAY DAMAGE THIS PRODUCT MAKING IT UNSAFE. NOTE:DO NOT FULLY TIGHTEN ANY BOLTS UNTIL ALL PARTS ARE ASSEMBLED.

