

ASSEMBLY INSTRUCTIONS


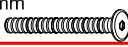


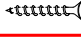

MODEL : MALMO BENCH

IMPORTANT NOTE :

* PLACE ALL WOODEN PARTS ON A CLEAN AND SMOOTH SUCH AD A RUG OR CARPET TO AVOID THE PARTS FROM BEING SCRATCHED.

* BEFORE YOU BEING, KINDLY FOLLOW THE ASSEMBLY INSTRUCTIONS STEP BY STEP.

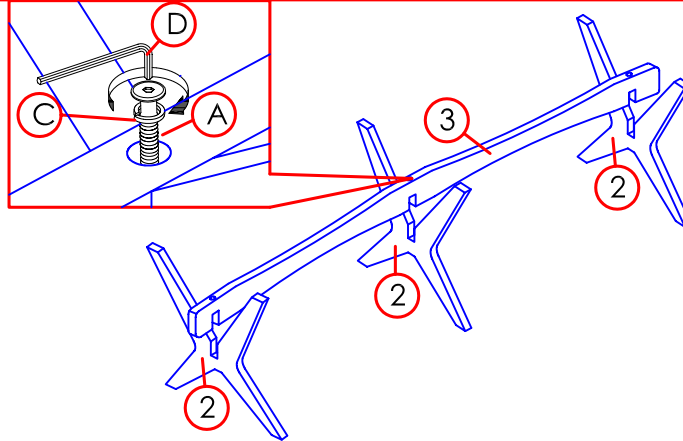
HARDWARE LIST

A	JCBC SCREW M6 x 60mm 	5PCS
B	JCBC SCREW M6 x45mm 	4PCS
C	SPRING WASHER M6 	9PCS
D	ALLEN KEY M4 	1PC
E	FH SCREW #8 x 25mm 	6PCS
F	FLAT WASHER M6 	6PCS

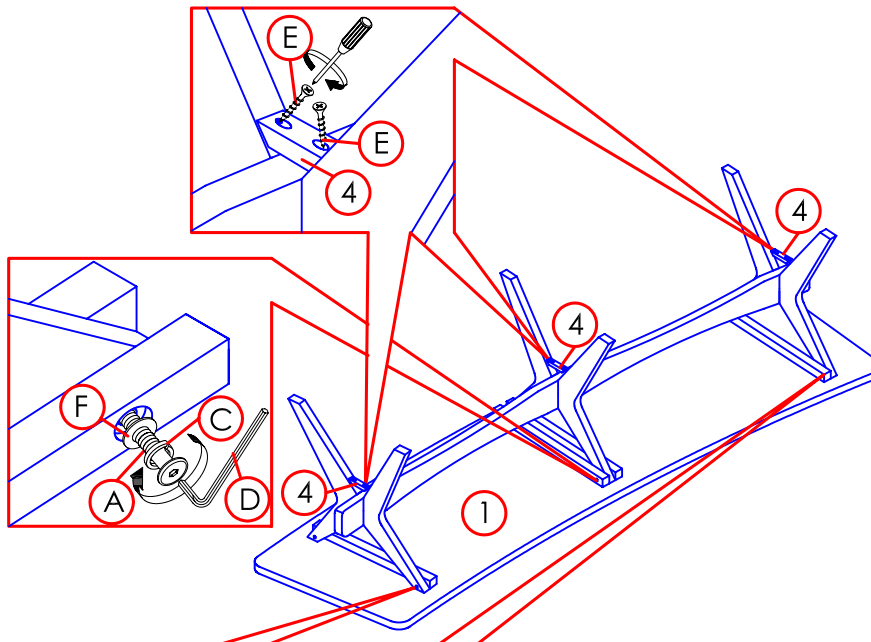
PART LIST

1	TOP PANEL	1PC
2	LEG	3PCS
3	CROSS BAR	1PC
4	WOODEN BLOCK	3PCS

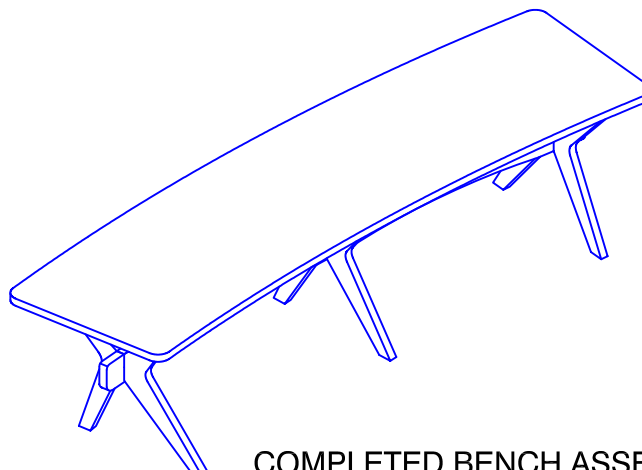
STEP 1



STEP 2



STEP 3



COMPLETED BENCH ASSEMBLY.