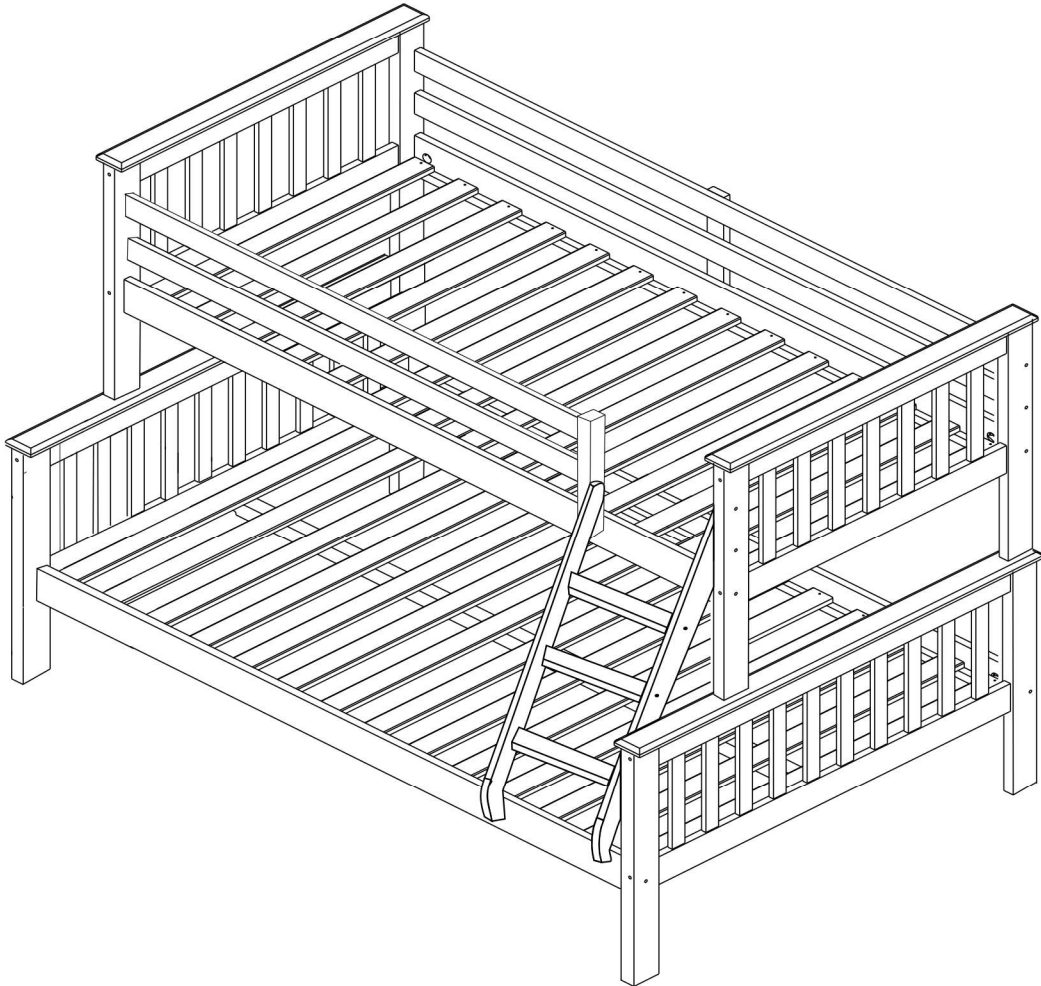


IMPORTANT - READ CAREFULLY
RETAIN FOR FUTURE REFERENCE

NEW CARRA / ATLANTIS TRIPLE SLEEPER

ASSEMBLY INSTRUCTIONS



THE LADDER CAN BE FITTED ON THE RIGHT OR LEFT HAND SIDE

IMPORTANT INFORMATION

WARNING – High Beds and the upper bed of bunk beds are not suitable for children under six years due to risk of injury from falls.

WARNING – Bunk beds and high beds can present a serious risk of injury from strangulation if not used correctly. Never attached or hang items to any part of the bunk bed that are not designed to be used with the bed, for example, but not limited to ropes, strings, cords, hooks, belts and bags.

WARNING – Children can become trapped between the bed and the wall, a roof pitch, the ceiling, adjoining pieces of furniture (e.g. cupboards) and the like.

WARNING – Do not use the bunk bed / high bed if any structural part is broken or missing.

It is recommended that you always follow the manufacturer's instructions to assemble this product.

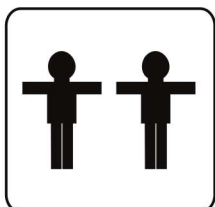
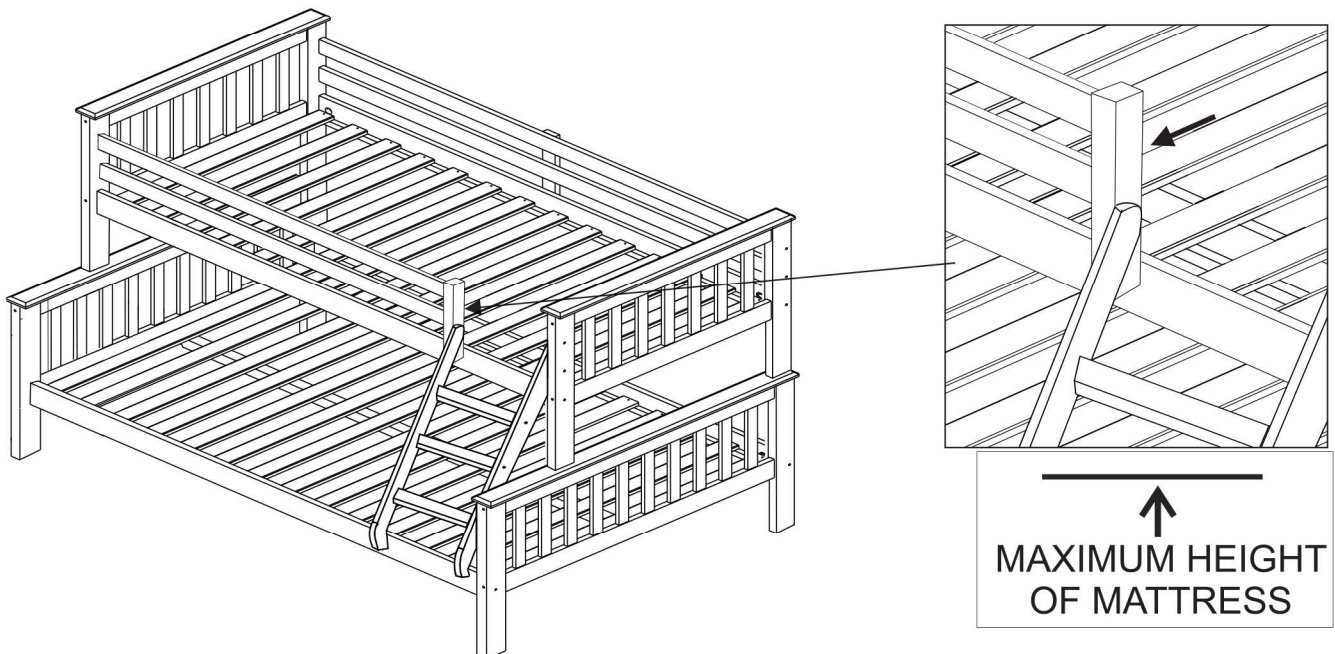
Always follow the manufacturer's recommended mattress size, as per these instructions and the bunk bed / high bed maximum mattress height marking on the item.

Width 90cm x Length 190cm / width 120cm x Length 190cm with a Maximum Depth of 16cm.

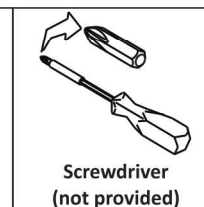
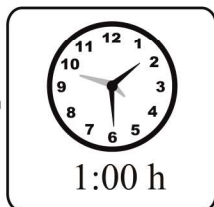
It is necessary to frequently ventilate the room in order to keep the humidity low and to prevent mould in and around the bed.

Please periodically check all the fixings of the item and re-tighten when necessary.

This item conforms to European Safety Standards - BS EN 747-1: 2012 + A1:2015



+



Safety Advice

Please take the time to carefully read through the whole of these instructions before you commence.

Keep these instructions for future reference.

Unpack, inspect and check of all of the contents.

Please dispose of all packing safely.

Small components parts could choke a child if swallowed.

We strongly recommend that you keep children well away from the work area.

It would be sensible to lay a sheet or blanket on the floor where you intend to work to avoid scratching this product and protect your floor.

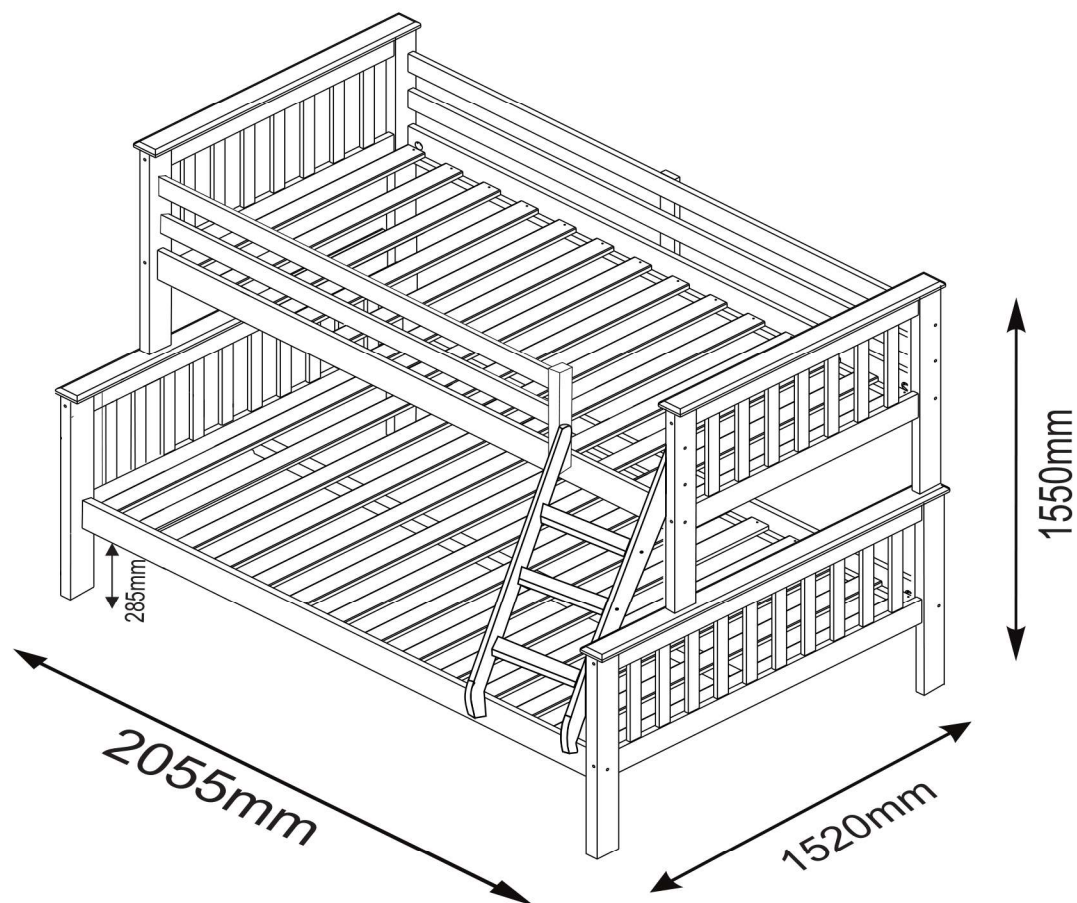
This product is heavy. Take extreme care when lifting to avoid personal injury or damage to the product.

This bed is heavy. Always lift the bed with two people.

Assemble the product as close to its intended final position in the room as possible.

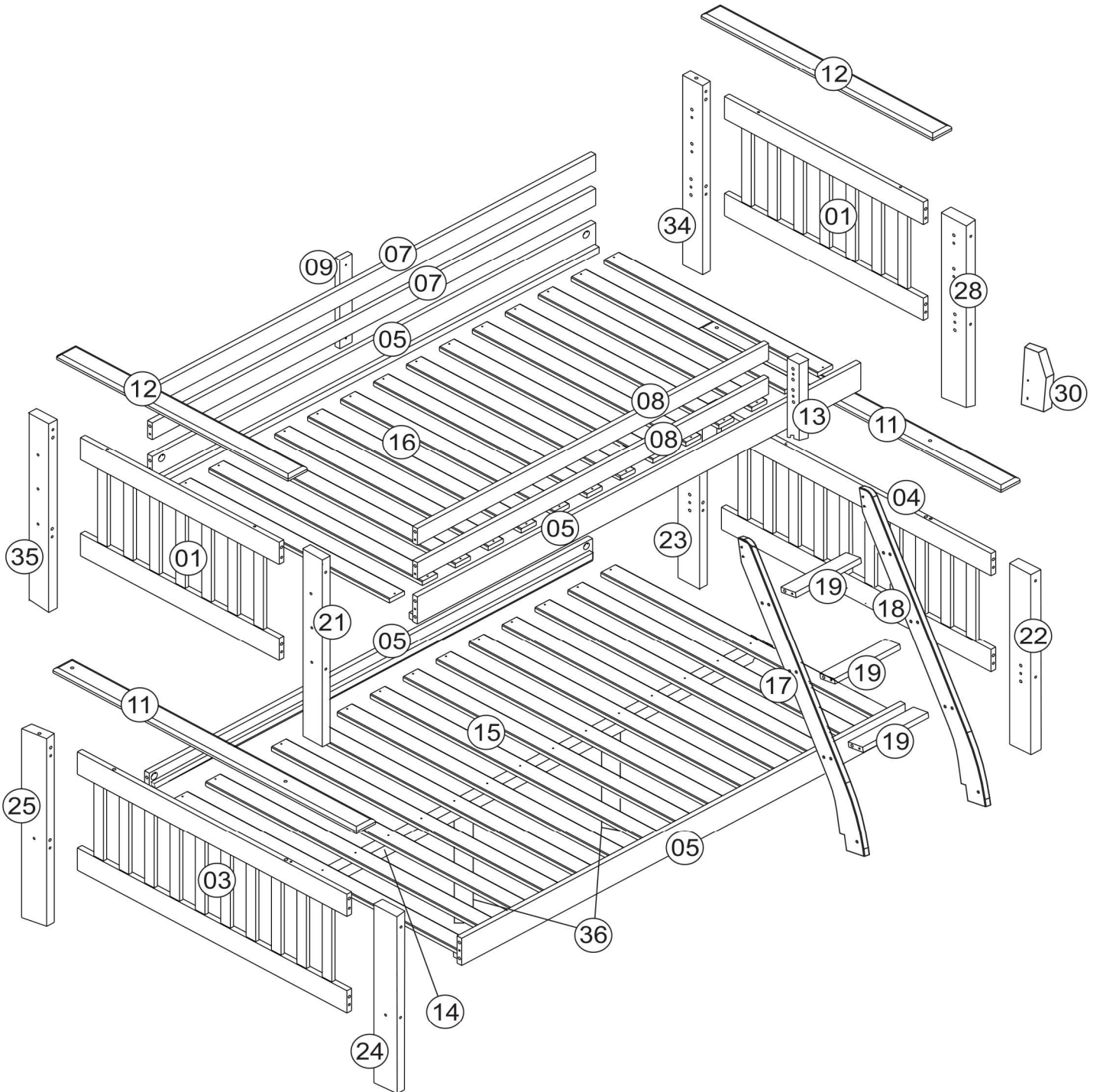
Keep any sharp objects away from the bed frame.


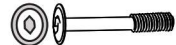



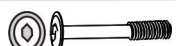

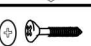


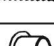
HANDY HINT: If you keep the hardware in a bowl during assembly you will be less likely to lose them.



ALL MEASUREMENTS ARE APPROXIMATES

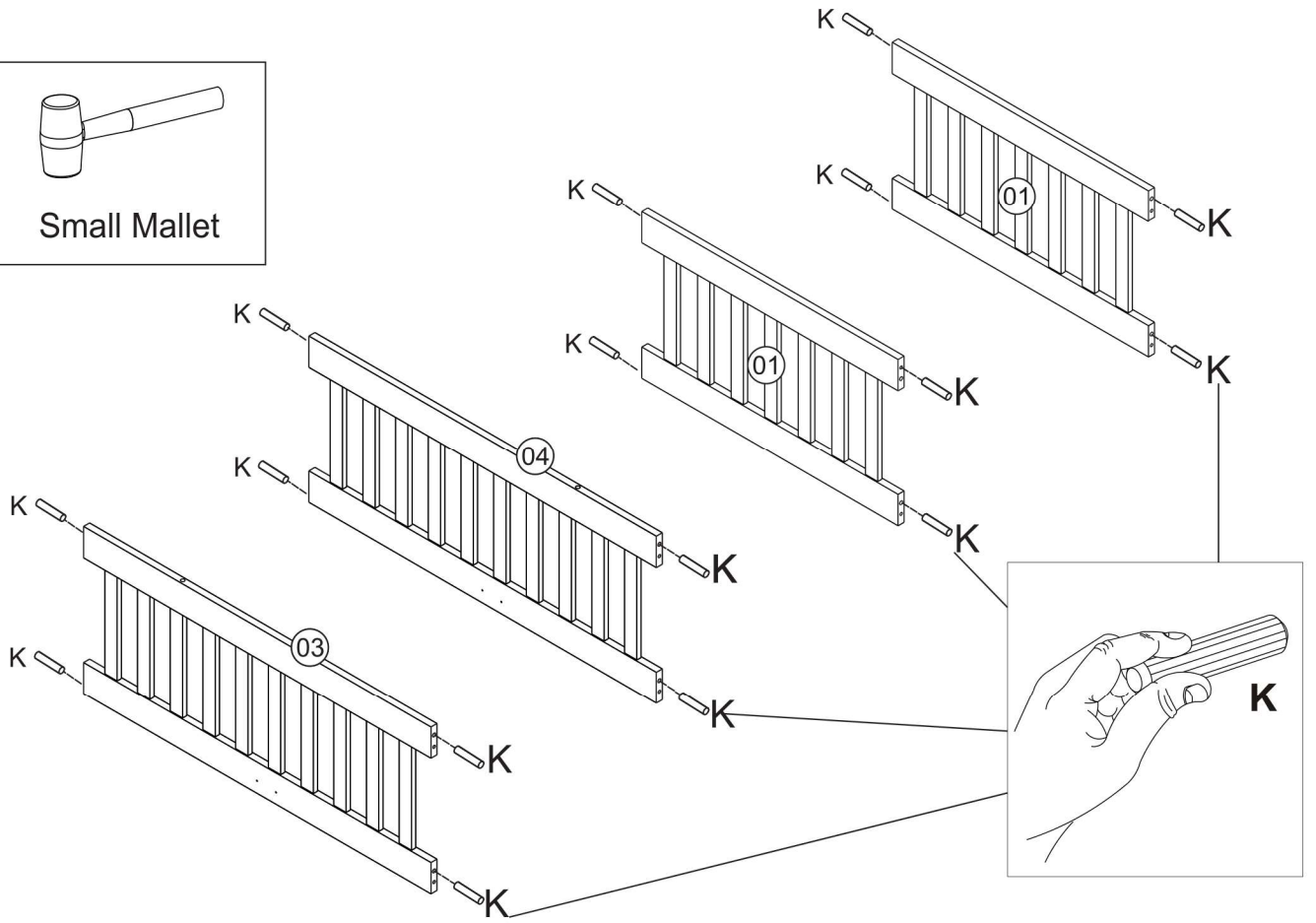
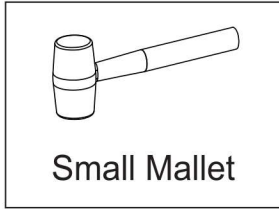
PARTS




| Part List | | | | Hardware List (found in box 1) | | |
|-----------|----------------------|-----|-----|--------------------------------|---|-----|
| Part | Description | Box | Qty | Part | Description | Qty |
| 01 | Top Headend/footend | 1 | 2 | A | 1/4 x80 mm Screw  | 08 |
| 03 | Bottom Headend | 1 | 1 | B | 1/4" Elliptical nut  | 08 |
| 04 | Bottom footend | 1 | 1 | C | 7,0 x 50 mm Screw  | 12 |
| 05 | Side Rail | 3 | 4 | D | 4,0 x 35 mm CC Screw  | 63 |
| 07 | Back Guard Rail | 3 | 2 | E | Allen key  | 1 |
| 08 | Front Guard Rail | 3 | 2 | F | 7,0 x 120 mm Screw  | 16 |
| 09 | Back Side Rail Suppo | 3 | 1 | G | Metal Joint  | 02 |
| 11 | Bottom Profile rt | 3 | 2 | H | Plastic hole cap 8mm  | 3 |
| 12 | Top Profile | 3 | 2 | I | 4,0 x 16 mm CC Screw  | 12 |
| 13 | Vertical Support | 1 | 1 | J | 7,0 x 100 mm Screw  | 02 |
| 14 | Support Slats | 1 | 1 | K | 10 x 40 mm Wooden dowel  | 68 |
| 15 | Bottom Slats | 4 | 15 | L | 15 x 90 mm Wooden dowel  | 4 |
| 16 | Top Slats | 4 | 15 | M | Wooden spacer  | 2 |
| 17 | Left Ladder panel | 3 | 1 | N | 7,0 x 80 mm Screw  | 14 |
| 18 | Right Ladder Pan | 3 | 1 | O | Glue  | 2 |
| 19 | Ladder Step el | 3 | 3 | P | Metal Bracket  | 2 |
| 21 | Upper Foot | 2 | 1 | Q | 4,0 x 25 mm CC Screw  | 04 |
| 22 | Bottom foot | 2 | 1 | R | 18 mm Plastic cap  | 51 |
| 23 | Bottom foot | 2 | 1 | S | 4,0 x 50 mm CC Screw  | 9 |
| 24 | Bottom foot | 2 | 1 | T | Plastic hole cap 10mm  | 3 |
| 25 | Bottom foot | 2 | 1 | | | |
| 28 | Upper Foot | 2 | 1 | | | |
| 30 | Support Ladder | 2 | 1 | | | |
| 34 | Upper Foot | 2 | 1 | | | |
| 35 | Upper Foot | 2 | 1 | | | |
| 36 | Vertical support leg | 3 | 2 | | | |

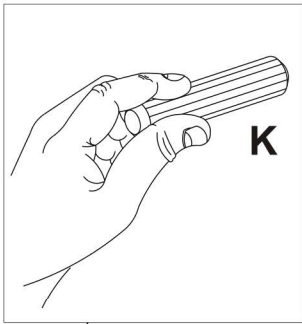
You will need screwdriver and small mallet (not provided).


1

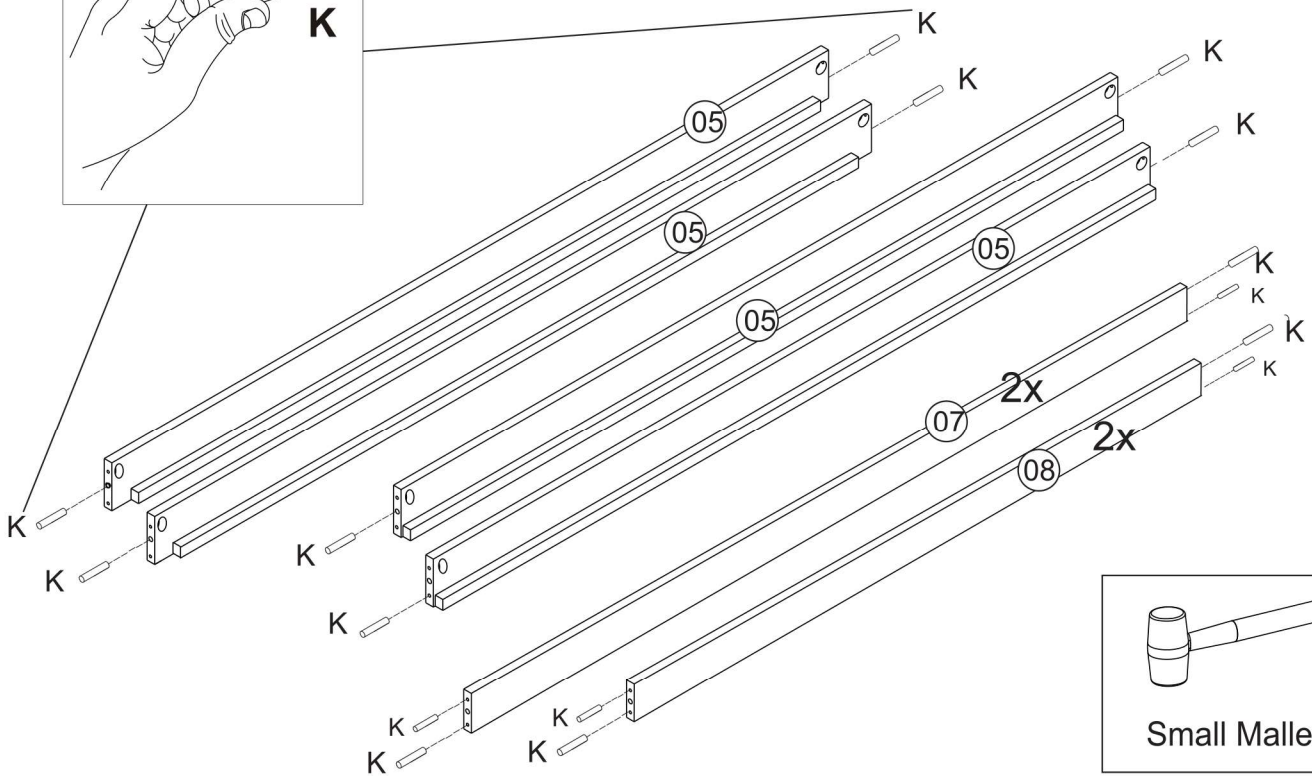


| | | |
|---|--|----|
| K |  10 x 40mm | 16 |
|---|--|----|

2

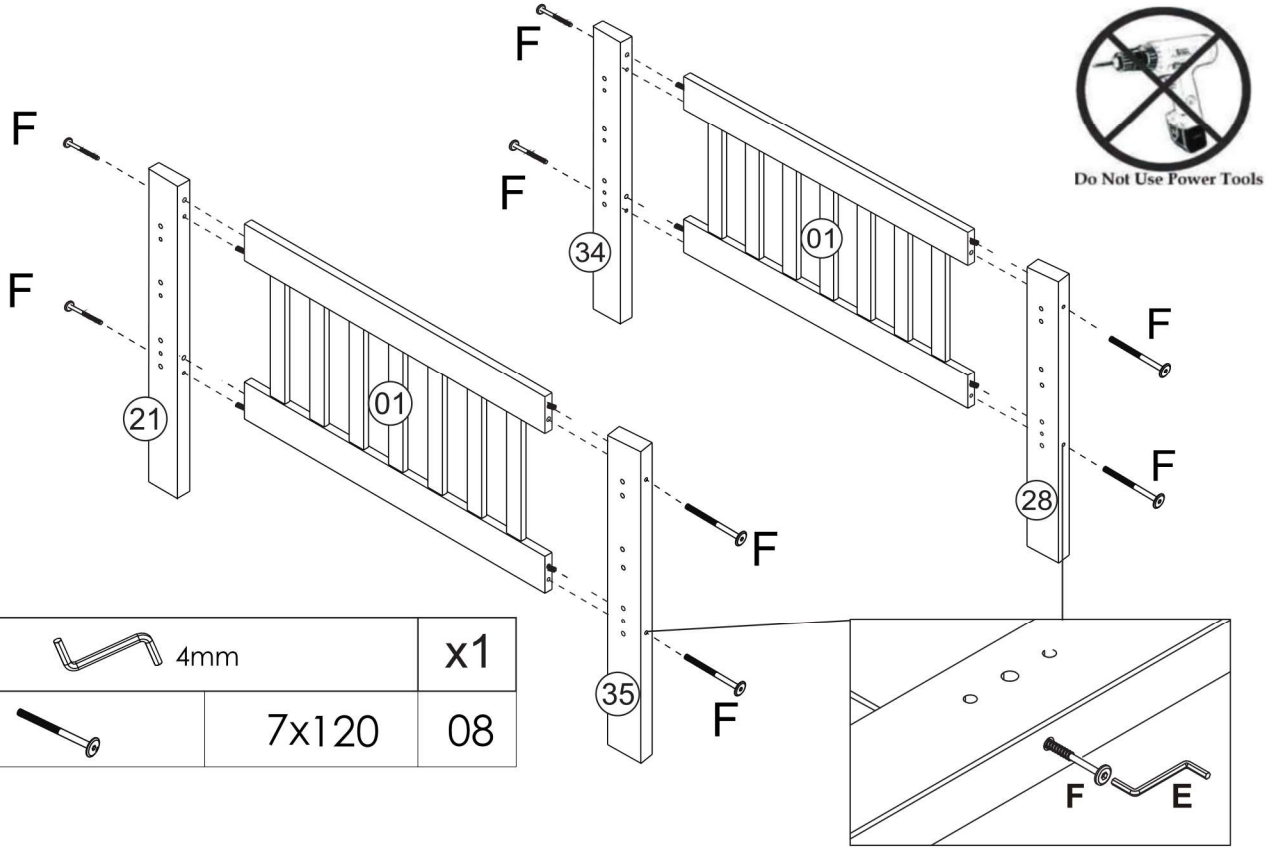


| | | |
|---|--|----|
| K |  10 x 40mm | 24 |
|---|--|----|



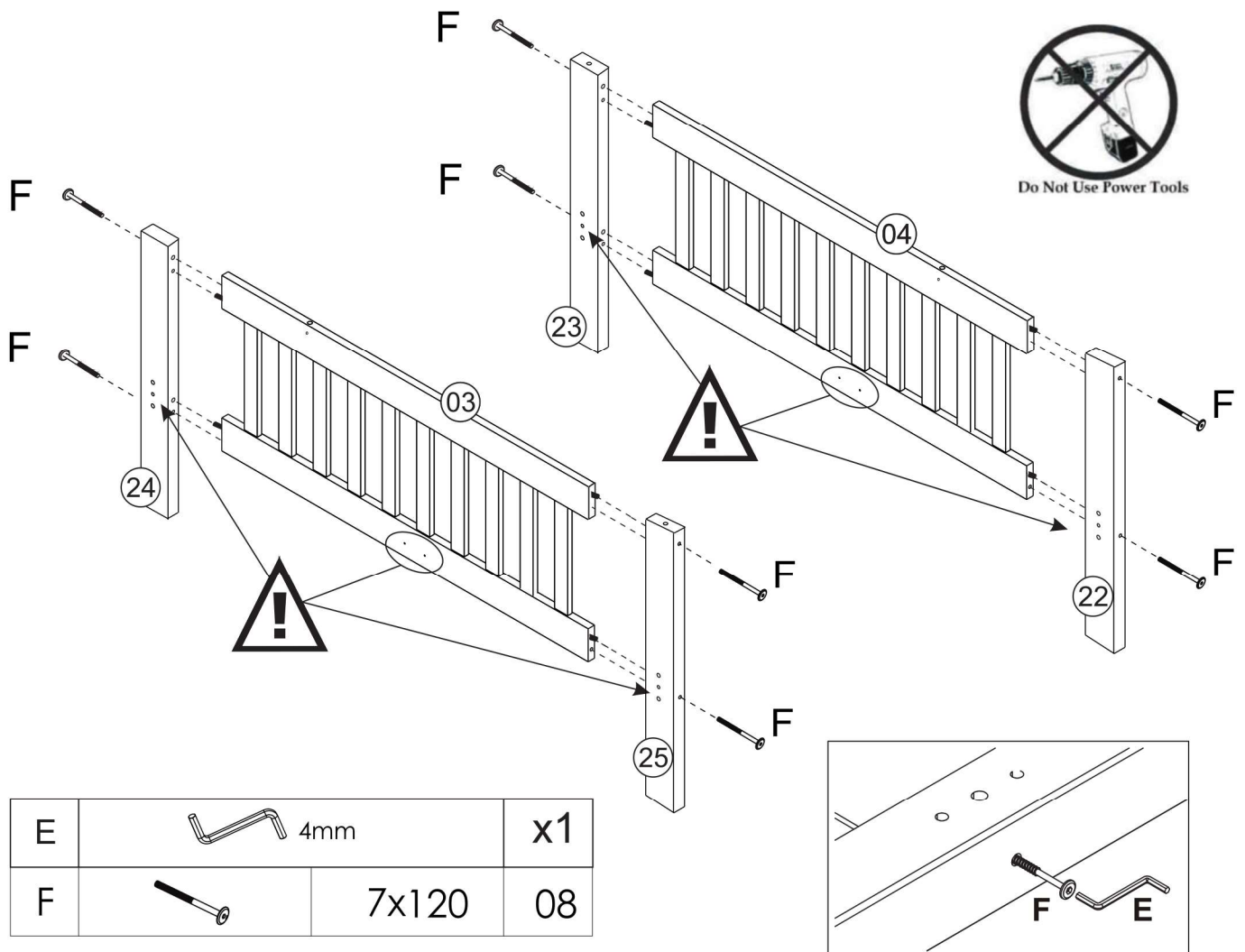
3

Upper Headboard

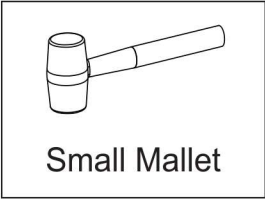
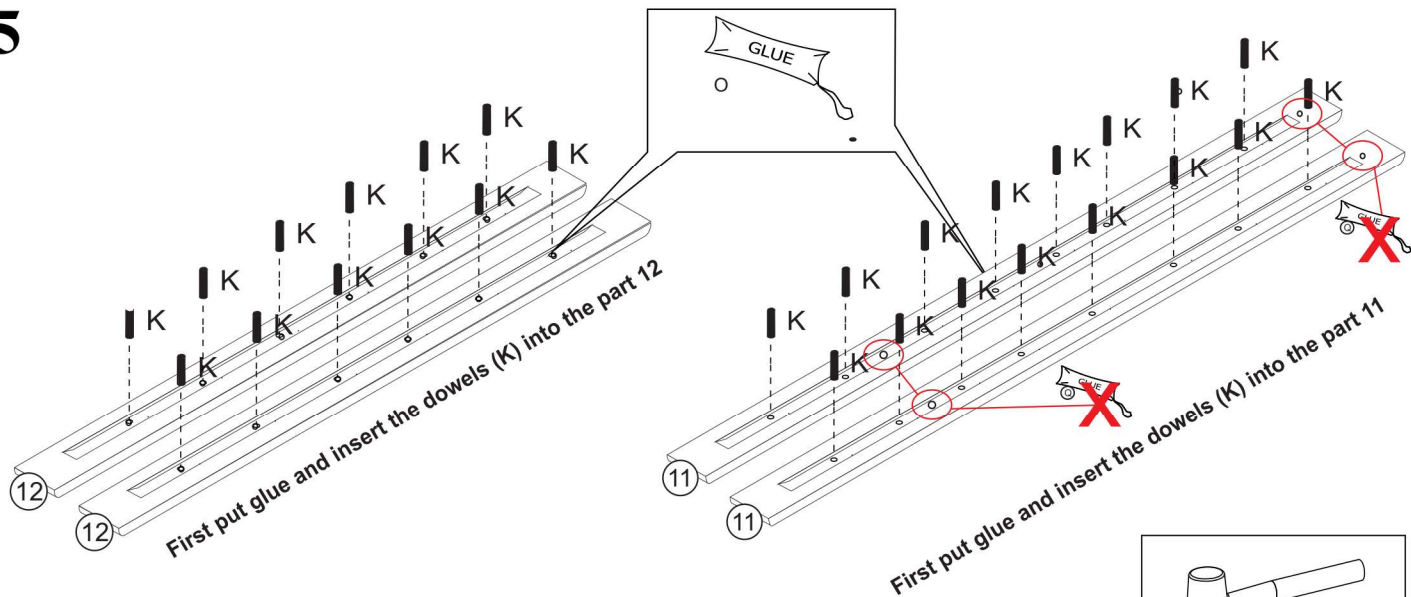


4

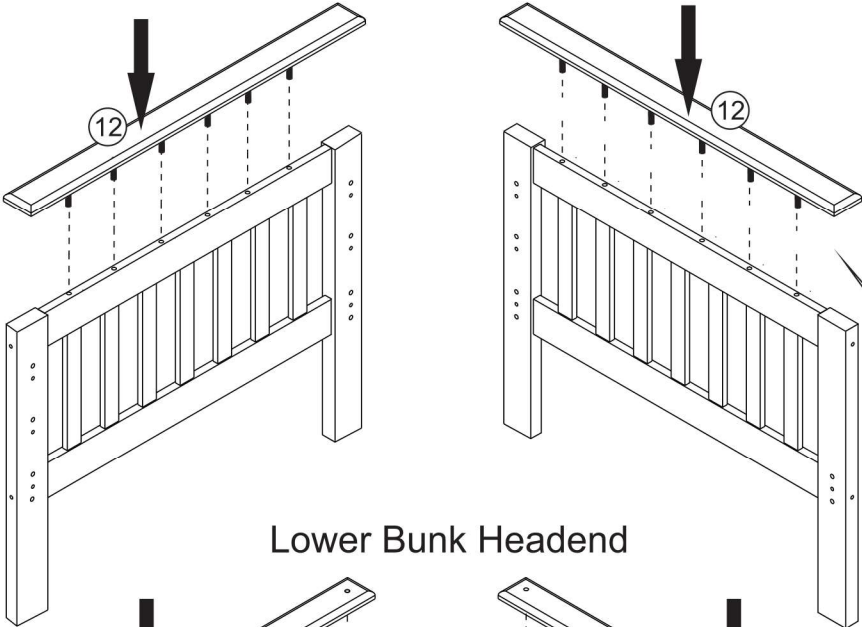
Lower Headboard



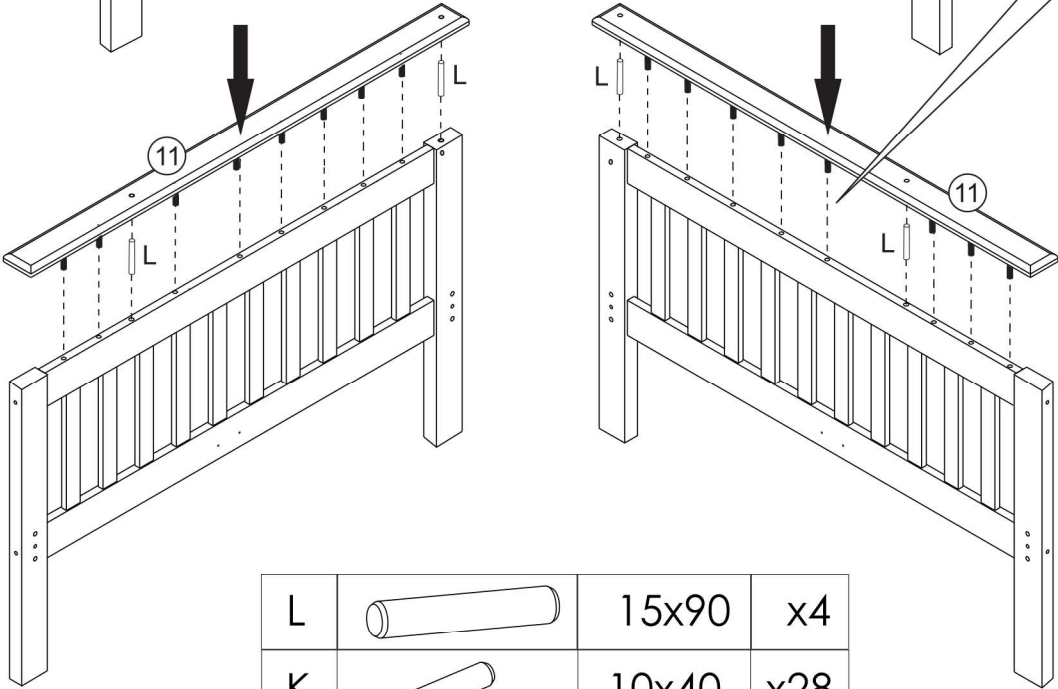
5


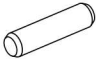



Upper Bunk Headend

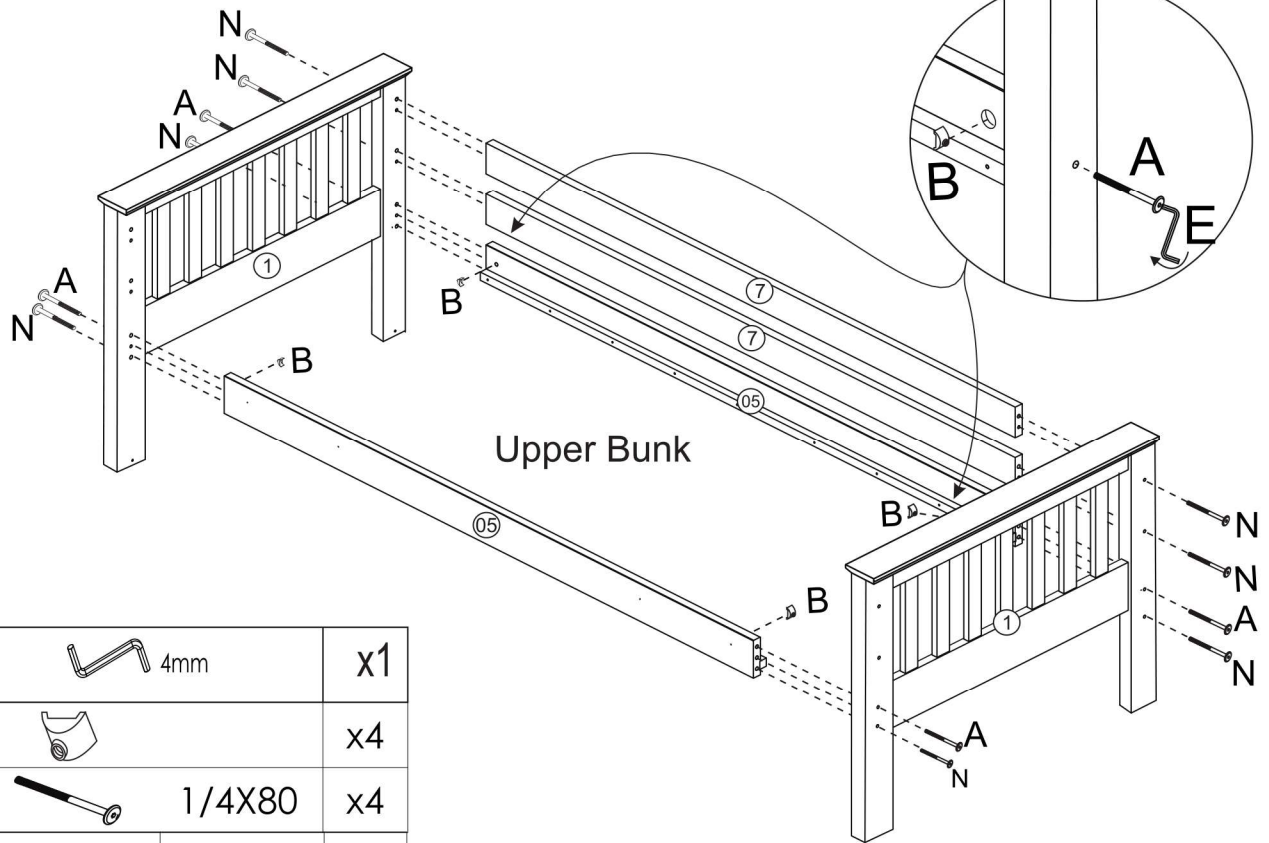






Lower Bunk Headend



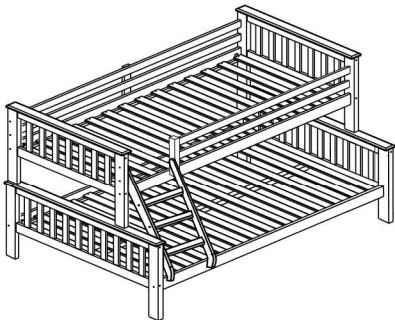
| | | | |
|---|---|-------|-----|
| L |  | 15x90 | x4 |
| K |  | 10x40 | x28 |
| O |  | Glue | x2 |

6



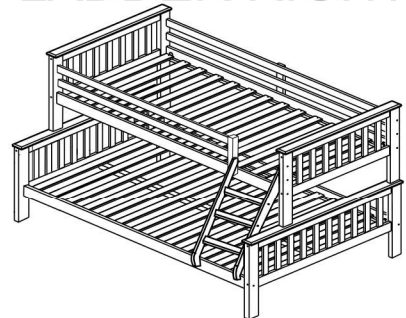
| | | |
|---|--|----|
| E |  4mm | x1 |
| B |  | x4 |
| A |  1/4X80 | x4 |
| N |  7x80 | x8 |

LADDER LEFT



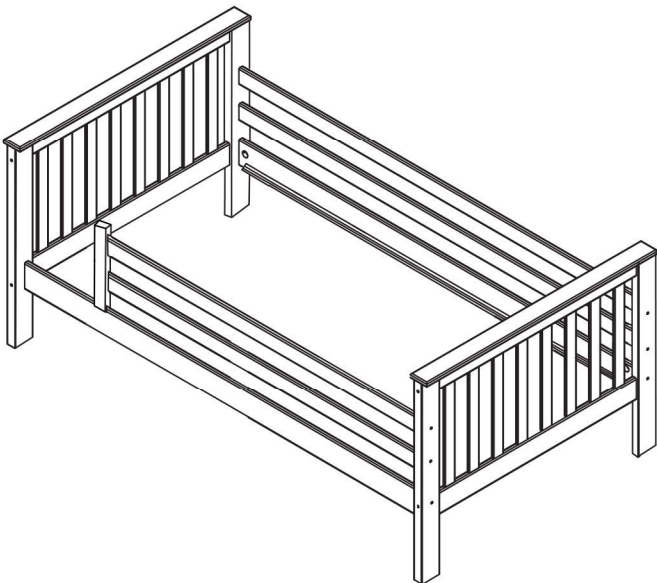
ASSEMBLING LADDER LEFT SIDE

LADDER RIGHT

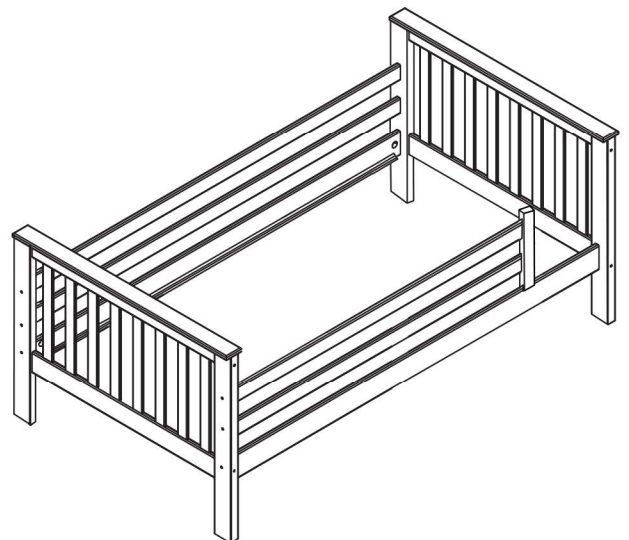


ASSEMBLING LADDER RIGHT SIDE

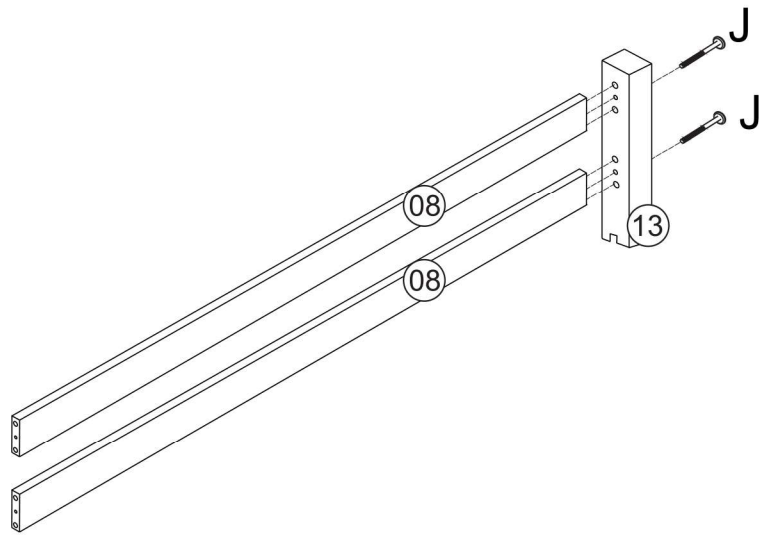
UPPER BUNK LADDER LEFT



UPPER BUNK LADDER RIGHT

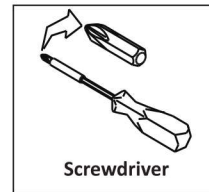
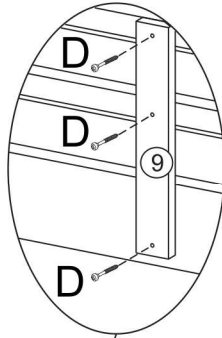


7

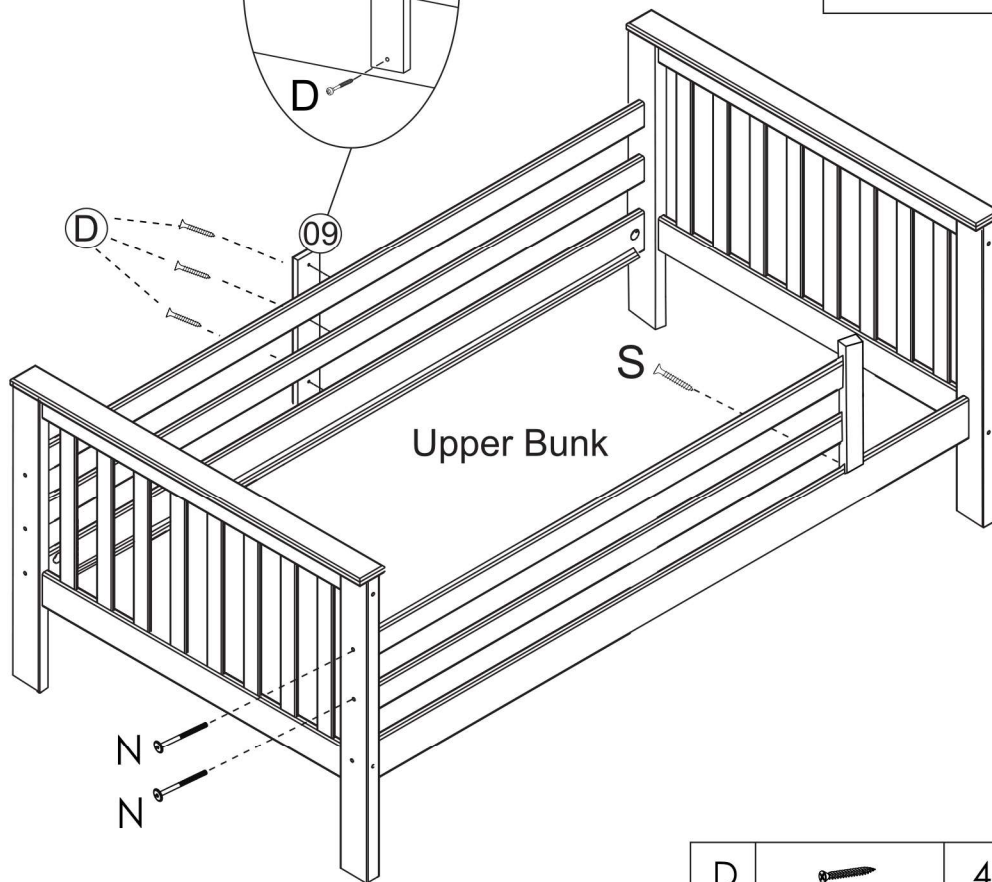


ASSEMBLING LADDER RIGHT SIDE

Back View







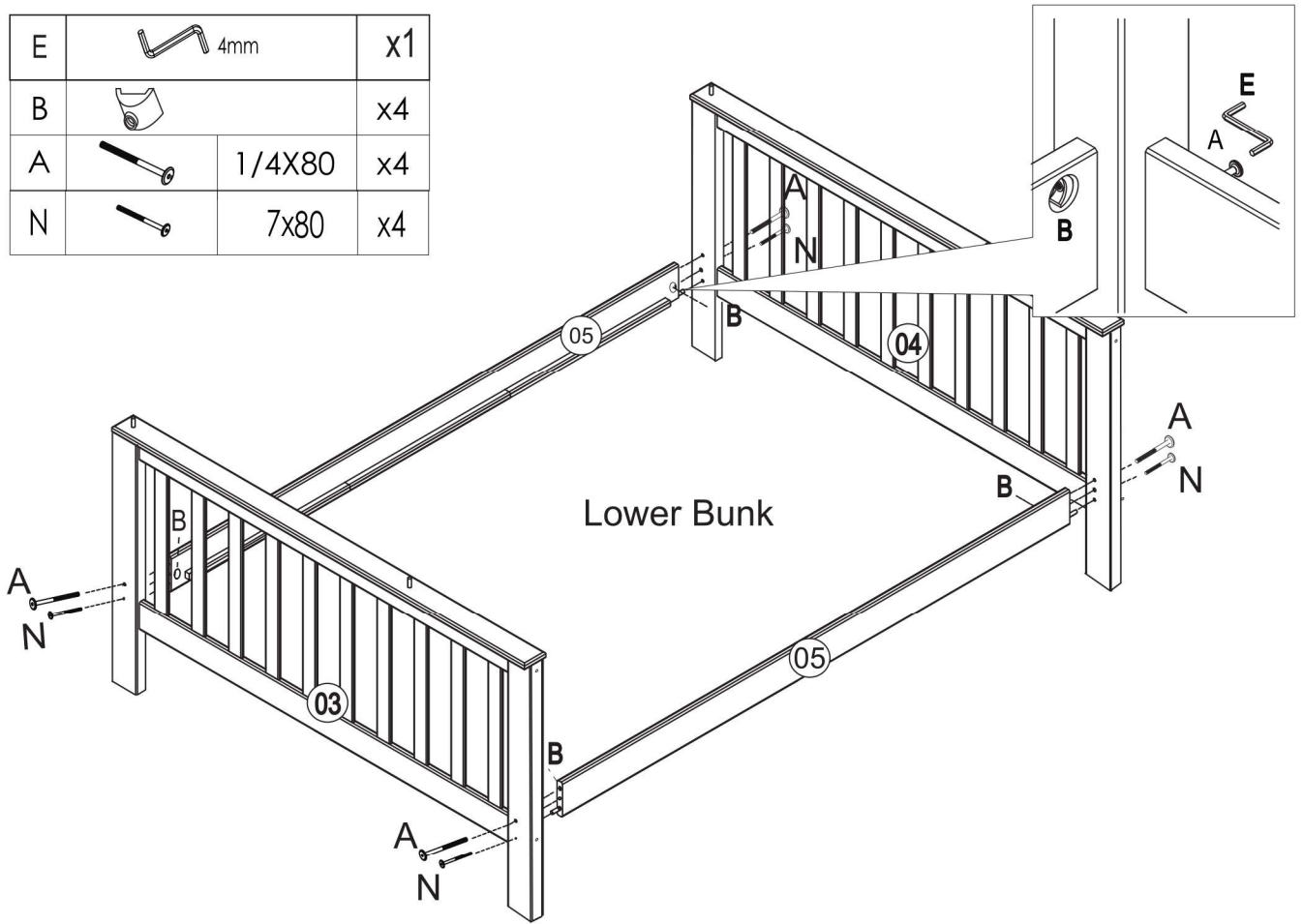
Do Not Use Power Tools



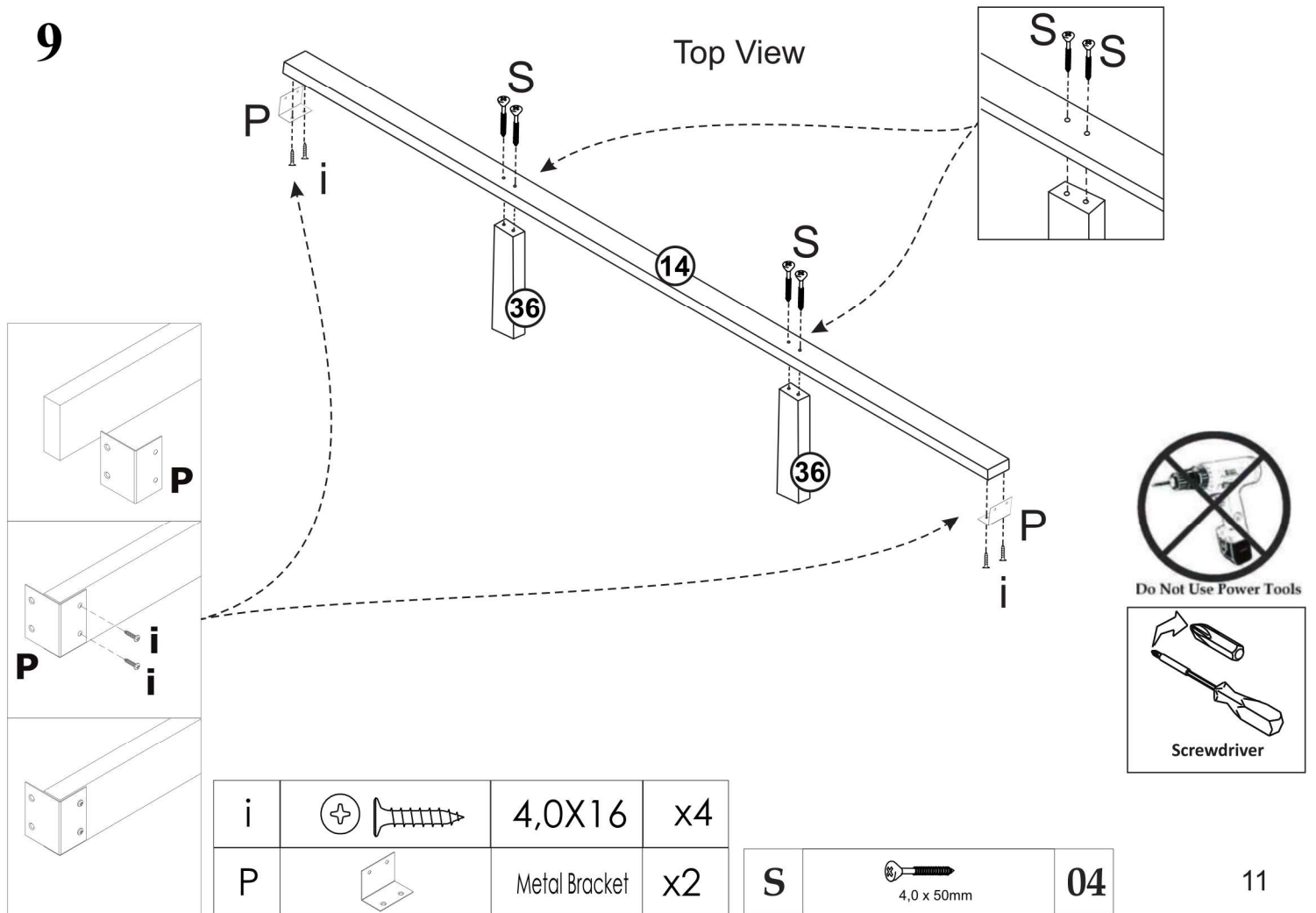
| | | | |
|---|--|--------|----|
| D | | 4,0x35 | x3 |
| E | | 4mm | x1 |
| S | | 4,0x50 | x1 |
| J | | 7x100 | x2 |
| N | | 7x80 | x2 |

8

| | | | |
|---|---|--------|----|
| E |  | 4mm | x1 |
| B |  | | x4 |
| A |  | 1/4X80 | x4 |
| N |  | 7x80 | x4 |



9

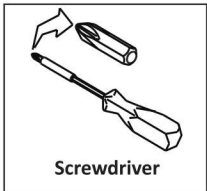
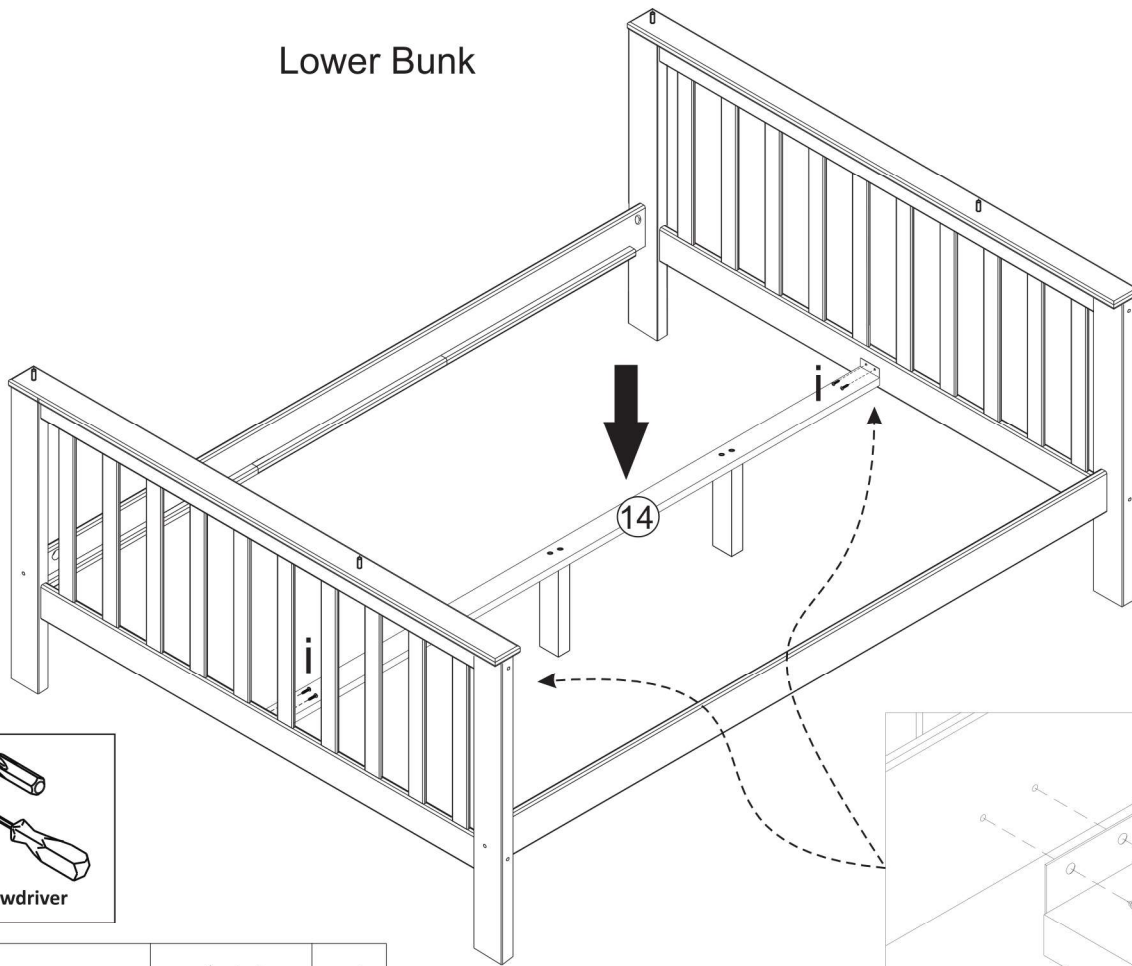


10

Lower Bunk

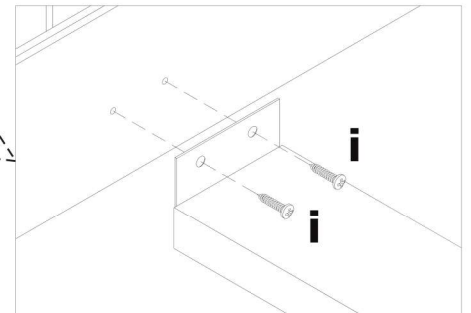


Do Not Use Power Tools



Screwdriver

| | | | |
|---|--|------|----|
| i | | 4x16 | x4 |
|---|--|------|----|



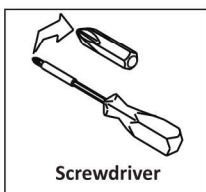
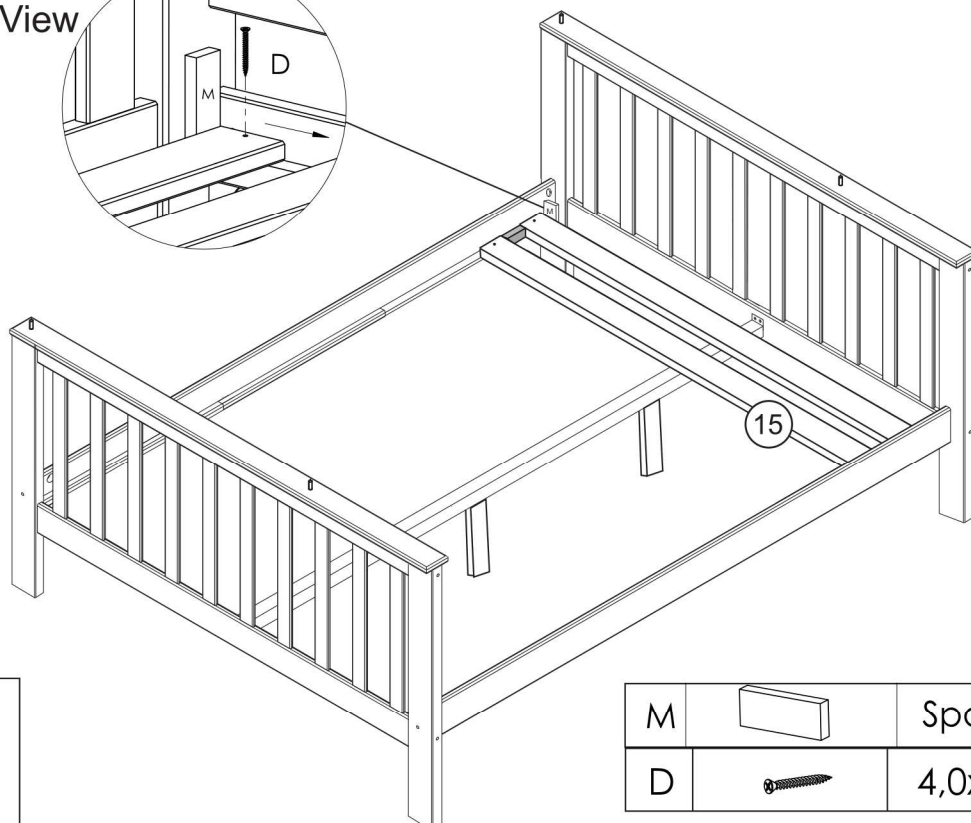
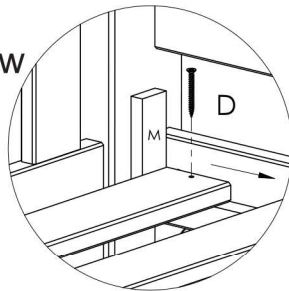
11 Attache the side slat first by pushing the side rails together so that the slats is flush against the side rail, before inserting the screws.

Lower Bunk



Do Not Use Power Tools

Top View





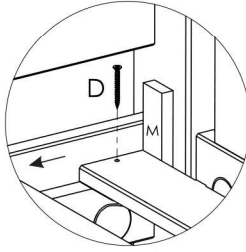
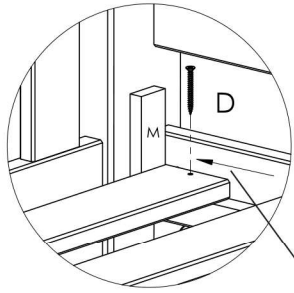
Screwdriver

| | | | |
|---|--|--------|----|
| M | | Spacer | x2 |
| D | | 4,0x35 | x4 |

12

Next attach the remaining slats. Place the slats onto the side rail supports and distribute evenly by using the spacer provided.

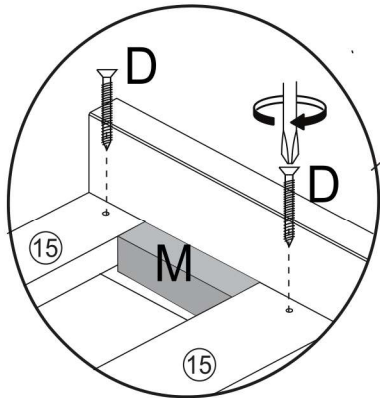
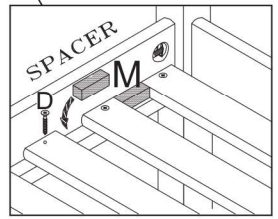
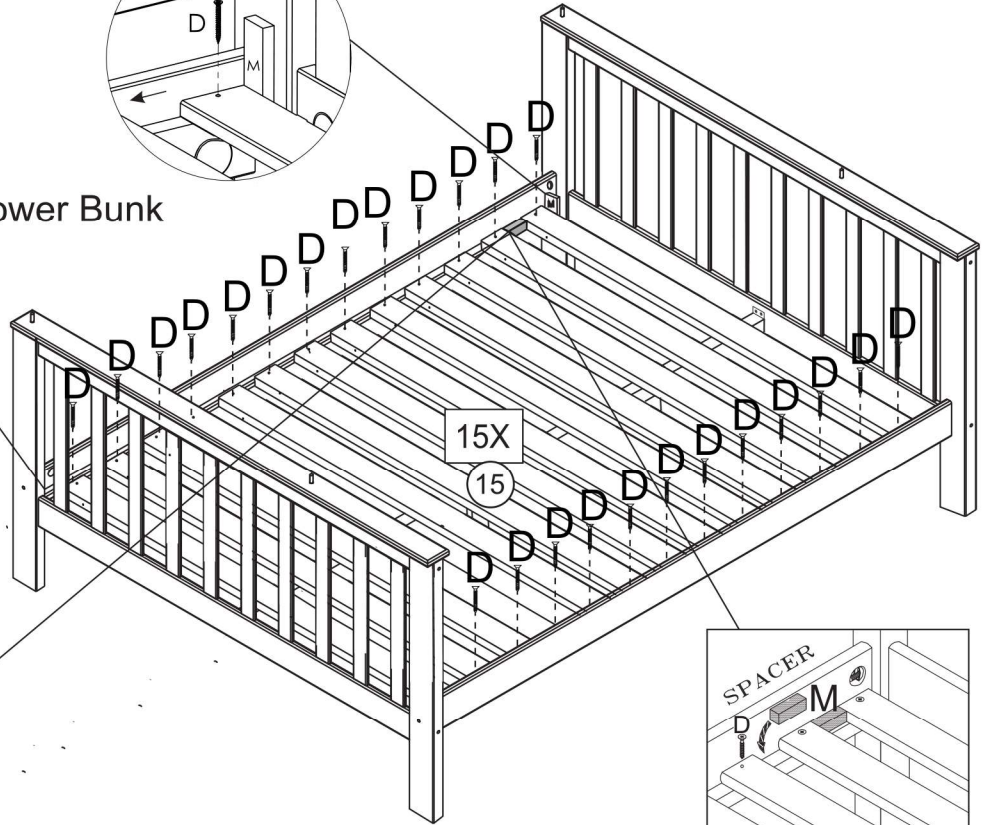
| | | | |
|---|---|--------|-----|
| M |  | Spacer | x2 |
| D |  | 4,0x35 | x26 |



Lower Bunk

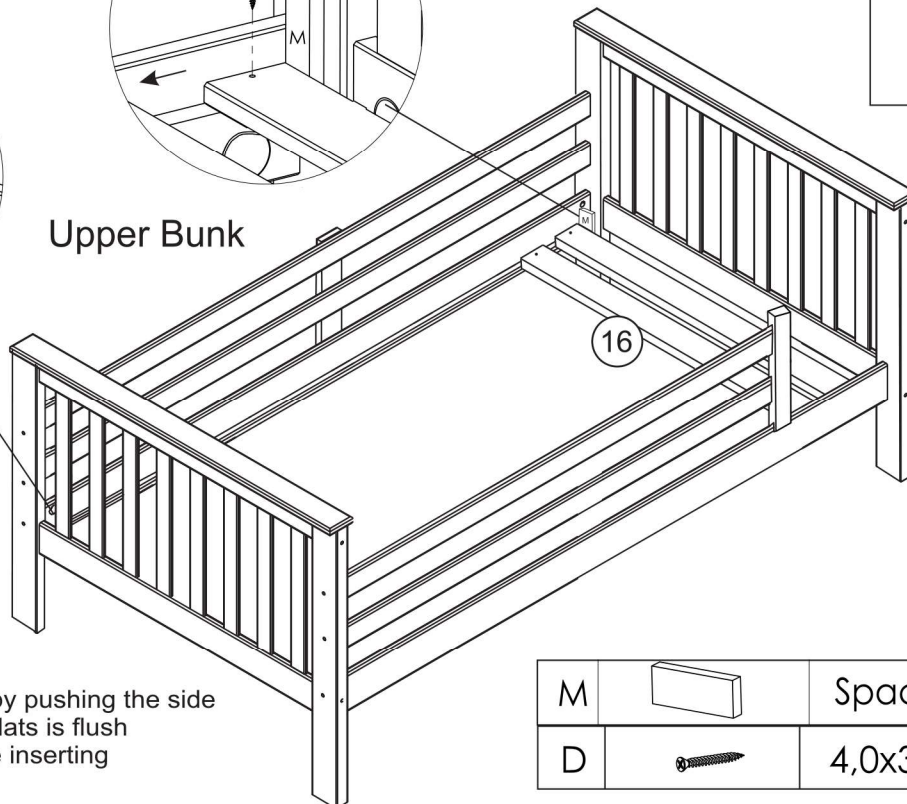
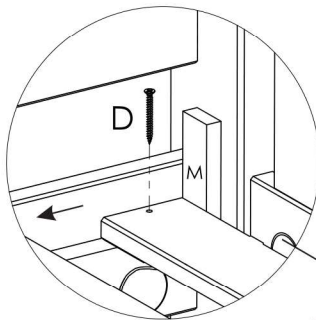
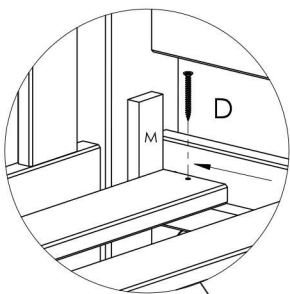
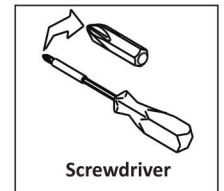


Do Not Use Power Tools





13

Upper Bunk



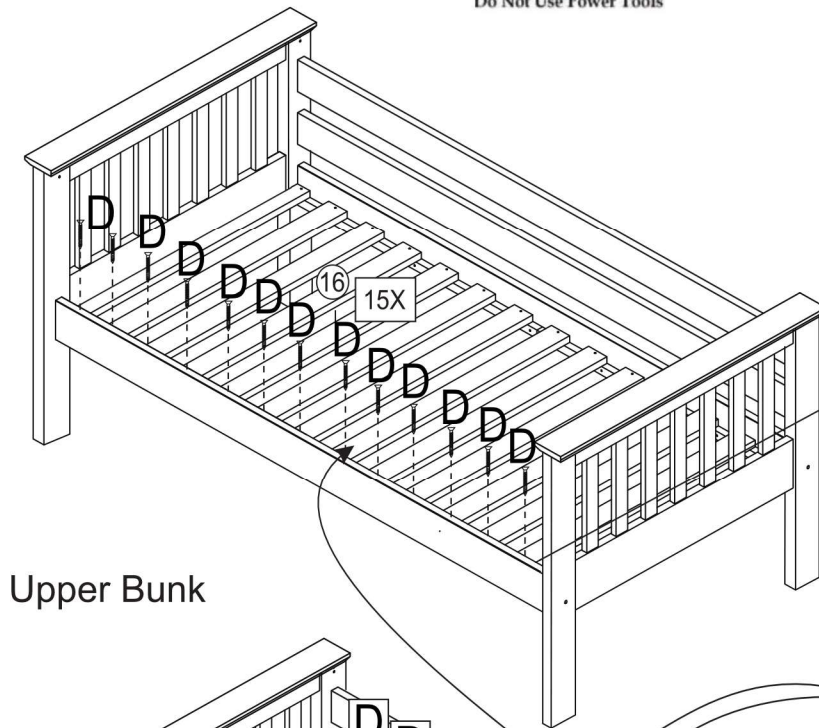
Attache the side slat first by pushing the side rails together so that the slats is flush against the side rail, before inserting the screws.

| | | | |
|---|---|--------|----|
| M |  | Spacer | x2 |
| D |  | 4,0x35 | x4 |

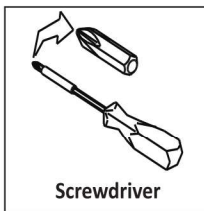
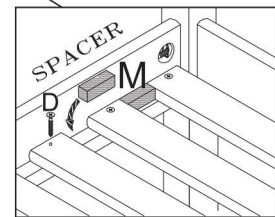
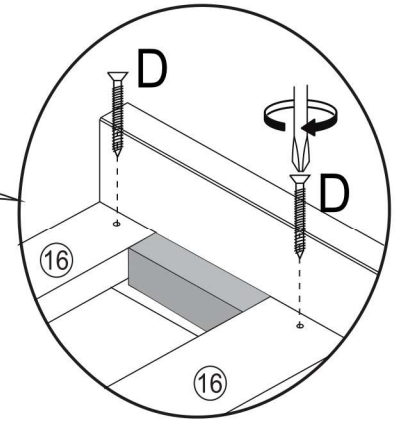
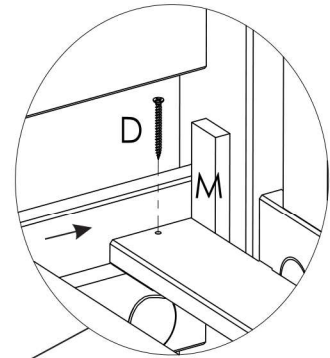
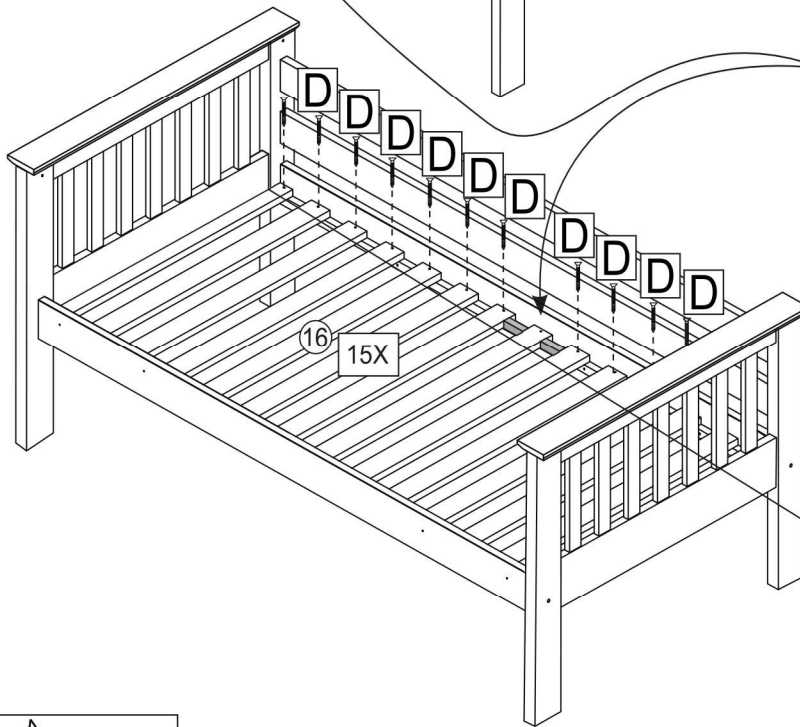


Do Not Use Power Tools

Top View



Upper Bunk




Screwdriver

Next attach the remaining slats.
Place the slats onto the side rail supports and distribute evenly by using the spacer provided.

| | | | |
|---|--|--------|-----|
| M | | Spacer | x2 |
| D | | 4,0x35 | x26 |

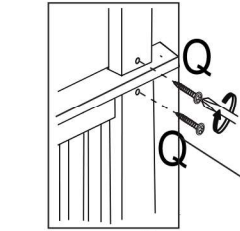
15

ASSEMBLING UPPER & LOWER BUNK

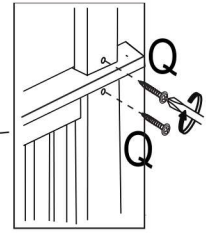
| | | | |
|---|---|--------|----|
| Q |  | 4,0x25 | x4 |
|---|---|--------|----|

BACK VIEW

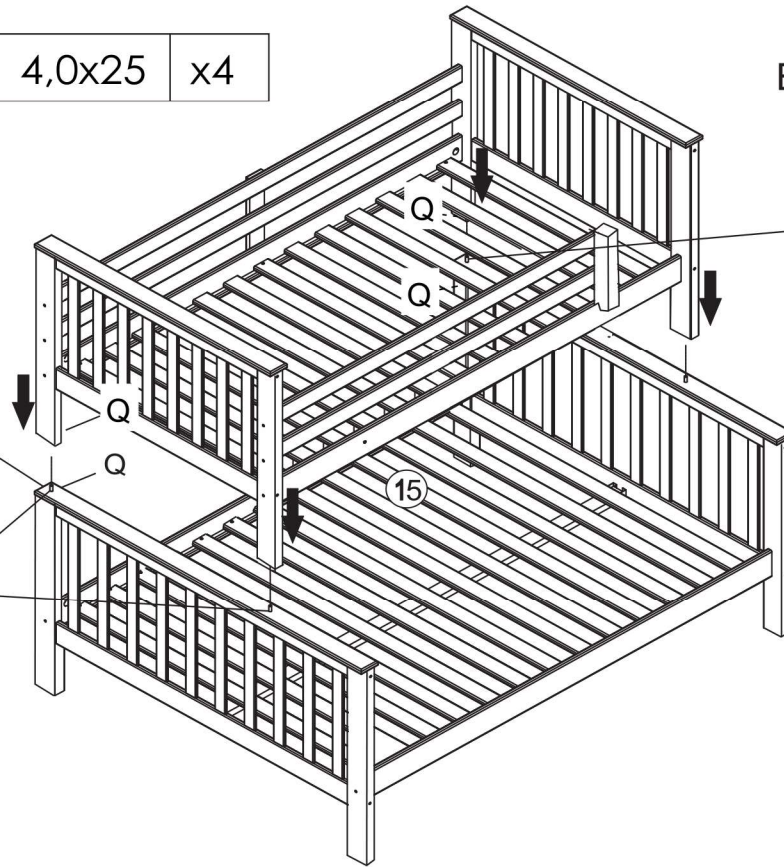
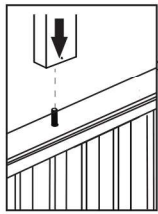
BACK VIEW



2 x






2 x



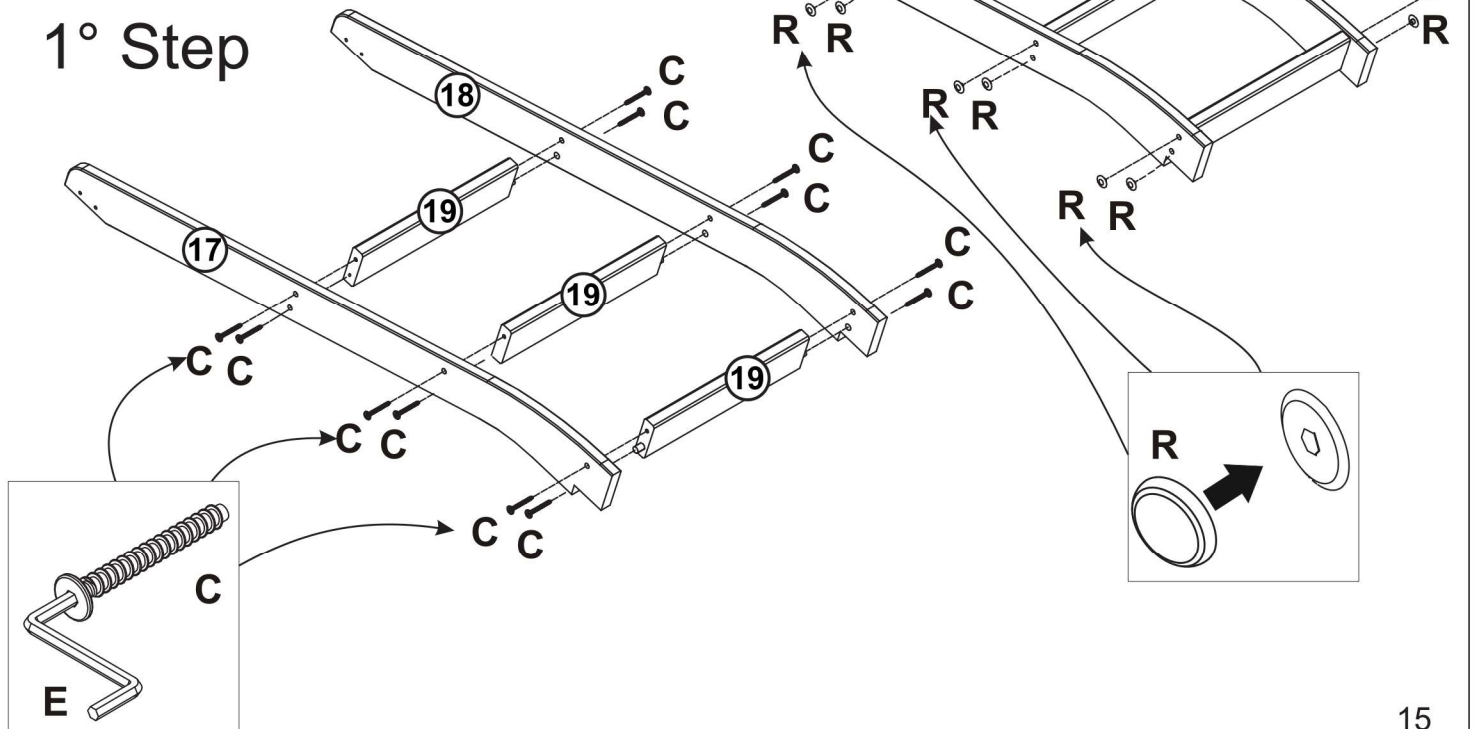
16

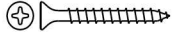


ASSEMBLING LADDER

| | | |
|---|---|-----|
| E |  4mm | x1 |
| C |  7x50 | x12 |
| R |  D4x13 | x12 |

2° Step

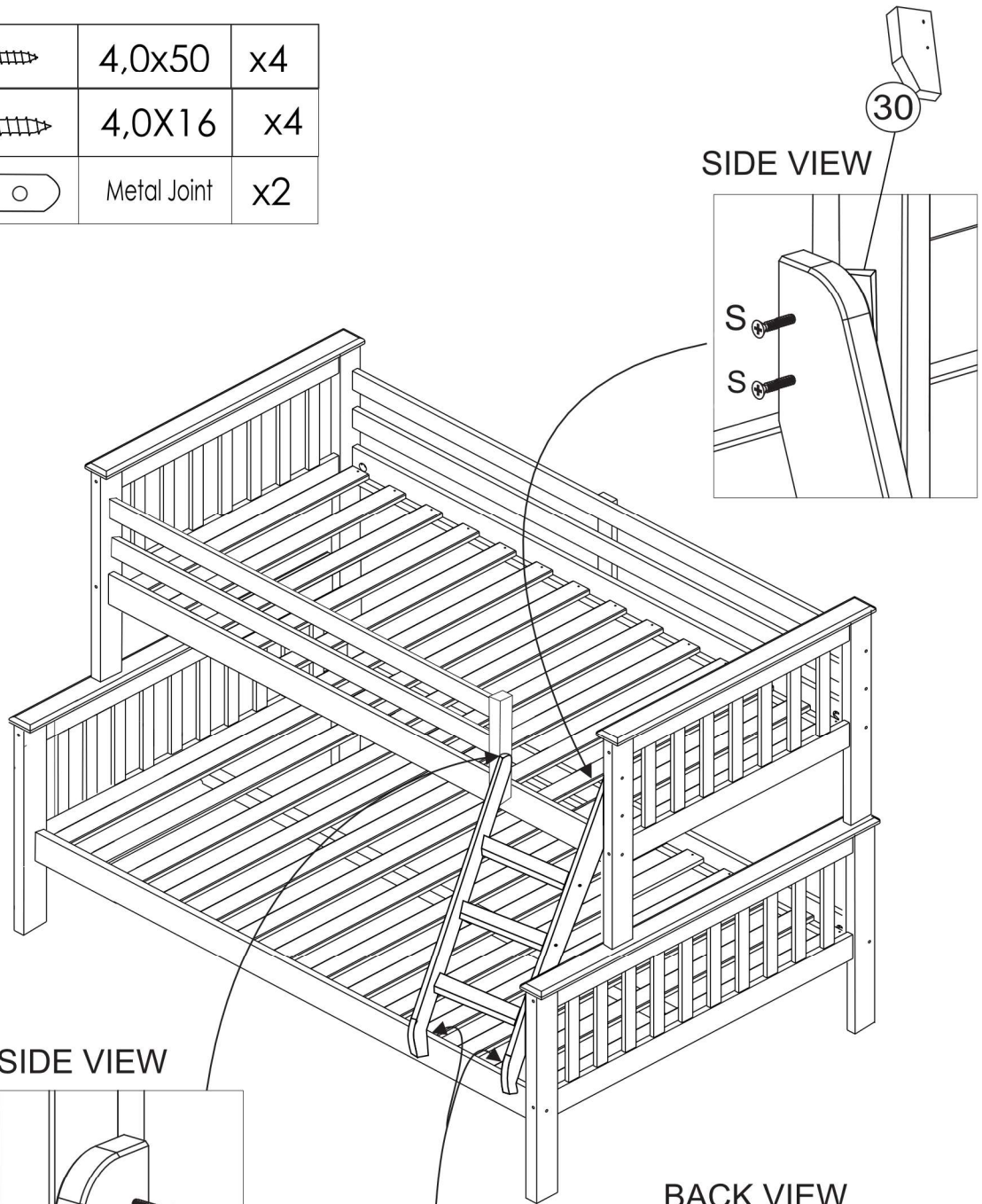
1° Step



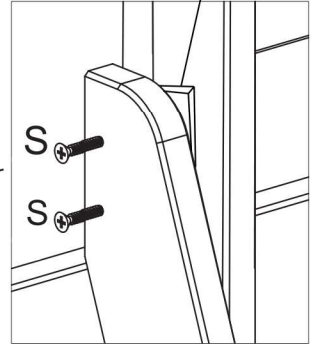
| | | | |
|----------|---|-------------|----|
| S |  | 4,0x50 | x4 |
| i |  | 4,0X16 | x4 |
| G |  | Metal Joint | x2 |



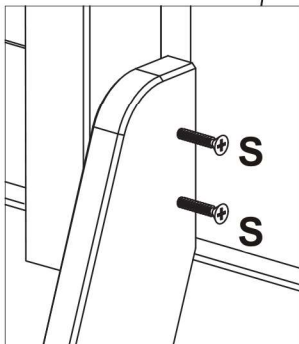
Do Not Use Power Tools



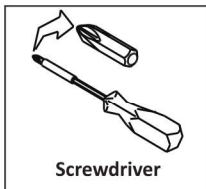
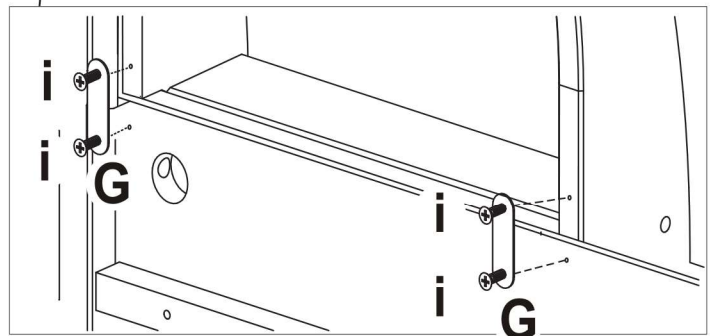
SIDE VIEW






SIDE VIEW

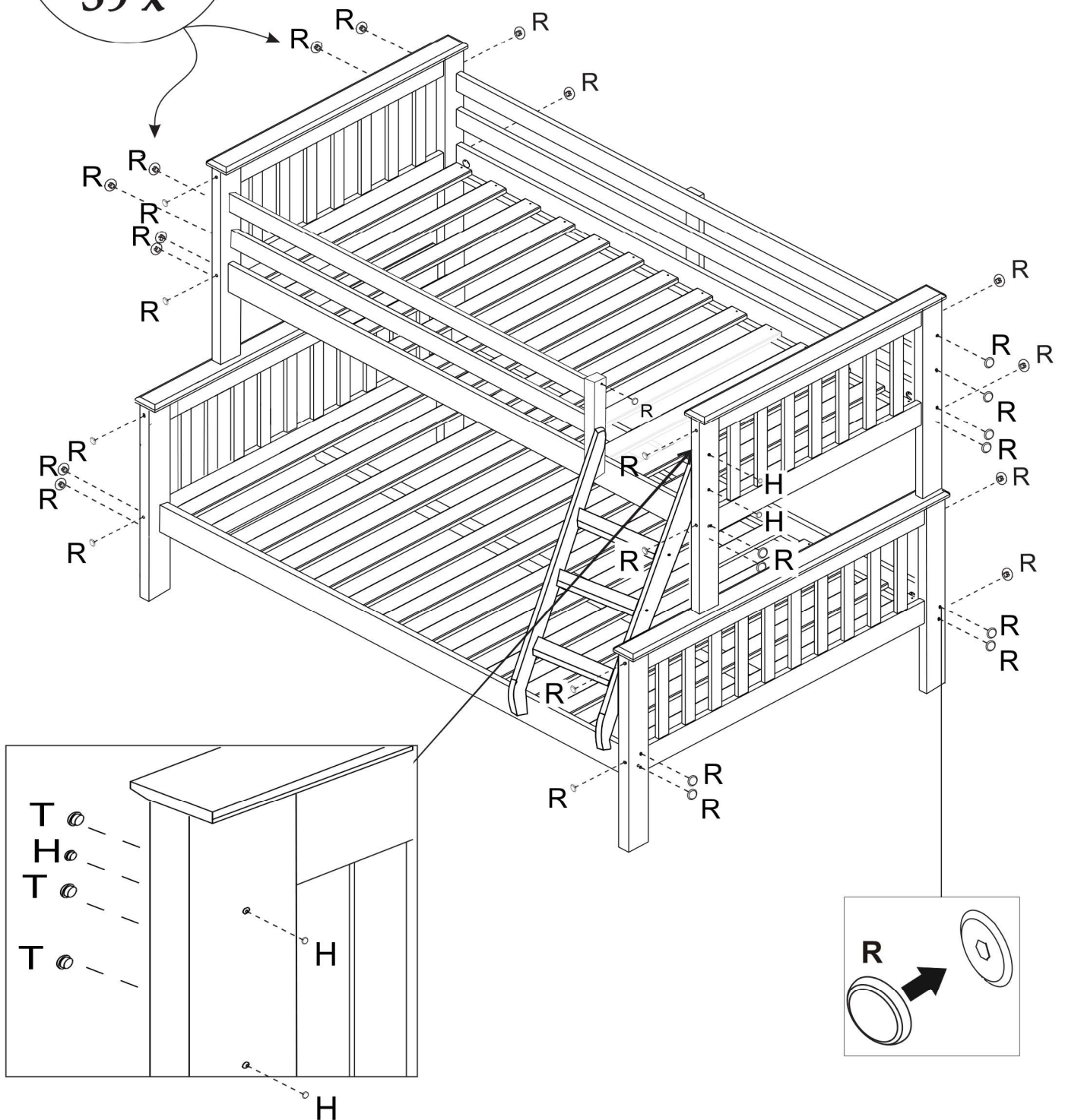
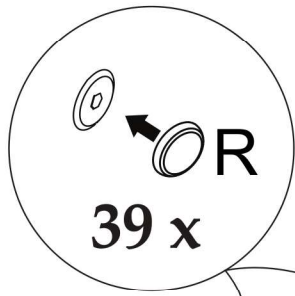


BACK VIEW



18

| | | | |
|---|---|--|-----|
| H |  | | x3 |
| T |  | | x3 |
| R |  | | x39 |



Your New Carra / Atlantis Triple Bed Is Now Complete And Ready To Use.

GENERAL CARE

Wipe clean with a slightly damp soft cloth.

Avoid the use of all household cleaners and abrasives.

When moving your furniture, carefully lift into place. Never drag or push the pieces across the floor as this will cause damage to the joints and could result in failure to the product that will invalidate the warranty.

RECOMMENDATIONS

Periodical re-tightening of fixings

WARNING

This bed frame is heavy. Please use an assistant when lifting.

NOTES

We've tried to make this bed frame as easy to assemble as possible. In the unlikely event that you have problems putting it together or damaged or missing pieces, please contact your retailer directly you purchased it from who will be able to resolve any issue.