



Birlea

Suppliers of inspiration

Assembly Instructions

Thank you for
purchasing a
Birlea product.

For a chance to win a Love 2 Shop voucher simply post a picture of your new product on your preferred social channels tagging Birlea Furniture and using the hashtag **#ShareYourStyle** and **#Birlea**. One winner will be selected at random each month.

To view our full terms and conditions please visit www.birlea.com

Are you happy with your purchase?

Yes: That's great, we would love to hear more from you. Please leave us a review on our social media channels or Trustpilot. Your feedback will be greatly appreciated.

No: If for any reason there is something missing, indifferent or incorrect with your order, please contact the retailer you purchased the item from. We will work with the retailer to resolve your issue as quickly as possible.



OSLO 4 DRAWER CHEST

Assembly Instructions

Before you begin...

1. Please check in your desired room of use.
2. Unpack all boxes and lay out each component on the floor.
3. Check your product for any damage that may be immediately obvious. If damage is identified, please contact your retailer.
4. Please read through these instructions thoroughly to ensure you have constructed your bed correctly.

For Care and Maintenance of your bed...

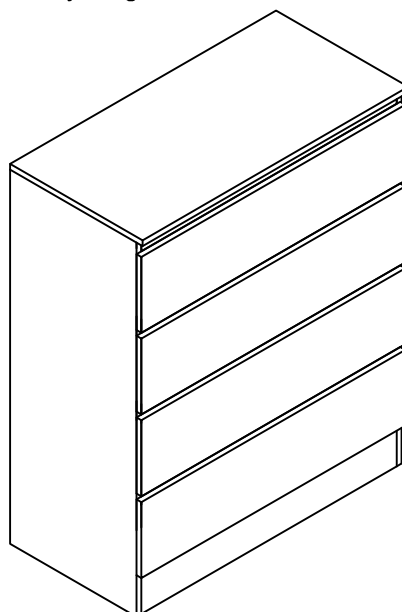
- Always assemble in your desired room of use.
- Always check all screw and fixings periodically to ensure they are still secure.
- Do not push or pull this product as it will cause damage.
- Always lift this product with a second person to prevent damage or injury.
- Keep any sharp objects away from this product.

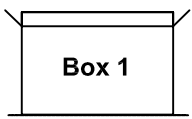
For your Health and Safety...

- Do not use this bed if you find missing, damaged or worn parts. Please contact your retailer.
- Please do not use this bed until you have fully secure all fixings.
- Please keep all small components away from children.
- Always use on a level even surface.

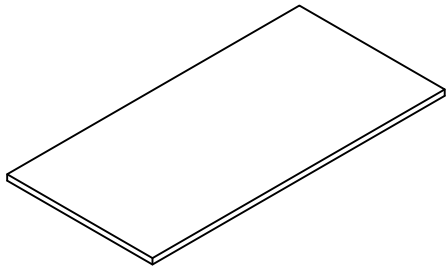
Also...

If your desired room of choice has a non-carpeted surface ensure please that you use some form of anti-slip protection and **do not** place directly on the wooden floor. This will prevent the item from moving and therefore collapsing which will void your guarantee...

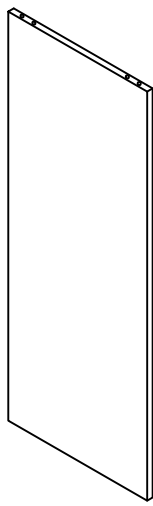




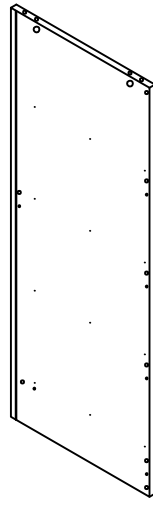
Box 1



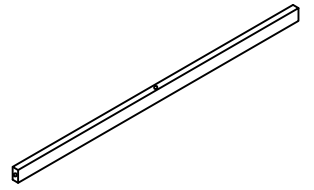
1. Top Panel (x1)



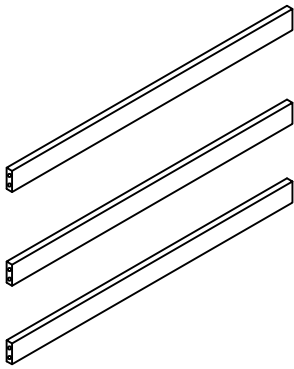
2. Right Side Panel (x1)



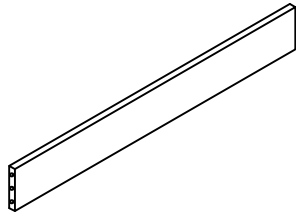
3. Left Side Panel (x1)



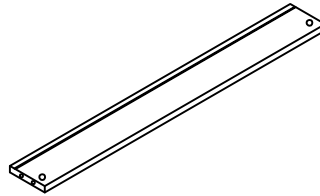
4. Top Support Bar (x1)



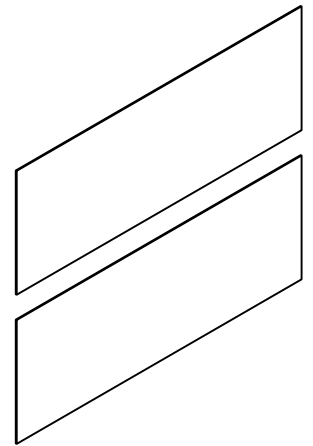
5. Drawer Support Bar (x3)



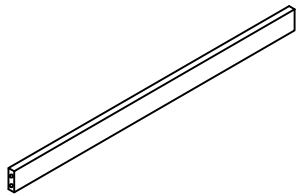
6. Leg Panel (x1)



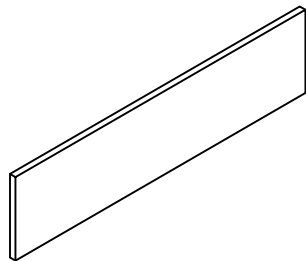
7. Back Support Panel (x1)



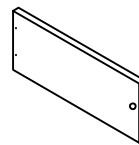
8. Back Panels (x2)



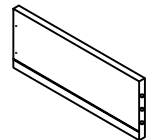
9. Back Inner Panel (x1)



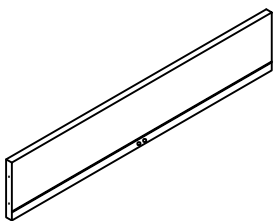
10. Drawer Front Panel (x4)



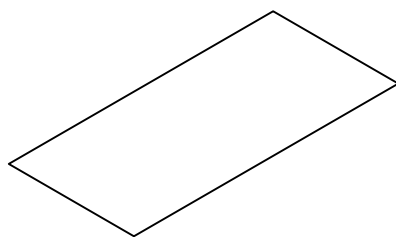
11. Drawer Side Panel (L) (x4)



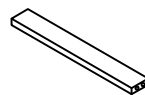
12. Drawer Side Panel (R) (x4)



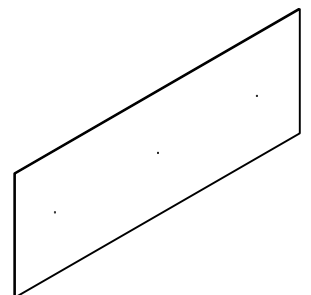
13. Drawer Back Panel (x4)



14. Drawer Bottom Panel (x4)



15. Drawer Support Bar (x4)



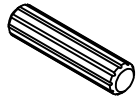
16. Back Panels (x1)

Hardware

All fitting are stored within Box 1



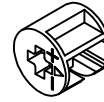
A.Allen Key (x1)



B.Plastic Dowel (x45)



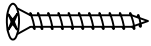
C.Minifix Bolt (x28)



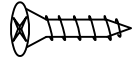
D.Minifix Housing (x28)



E.Minifix Cap (x28)



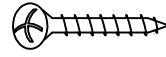
F.CSK Screw M4x50mm (x16)



G.CSK Screw M3.5x16mm (x56)



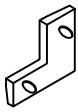
H.Drawer Slider (x4)



I.CSK Screw M4x18mm (Black) (x3)



J.White Nail Leg (x4)



K.L Bracket (x4)

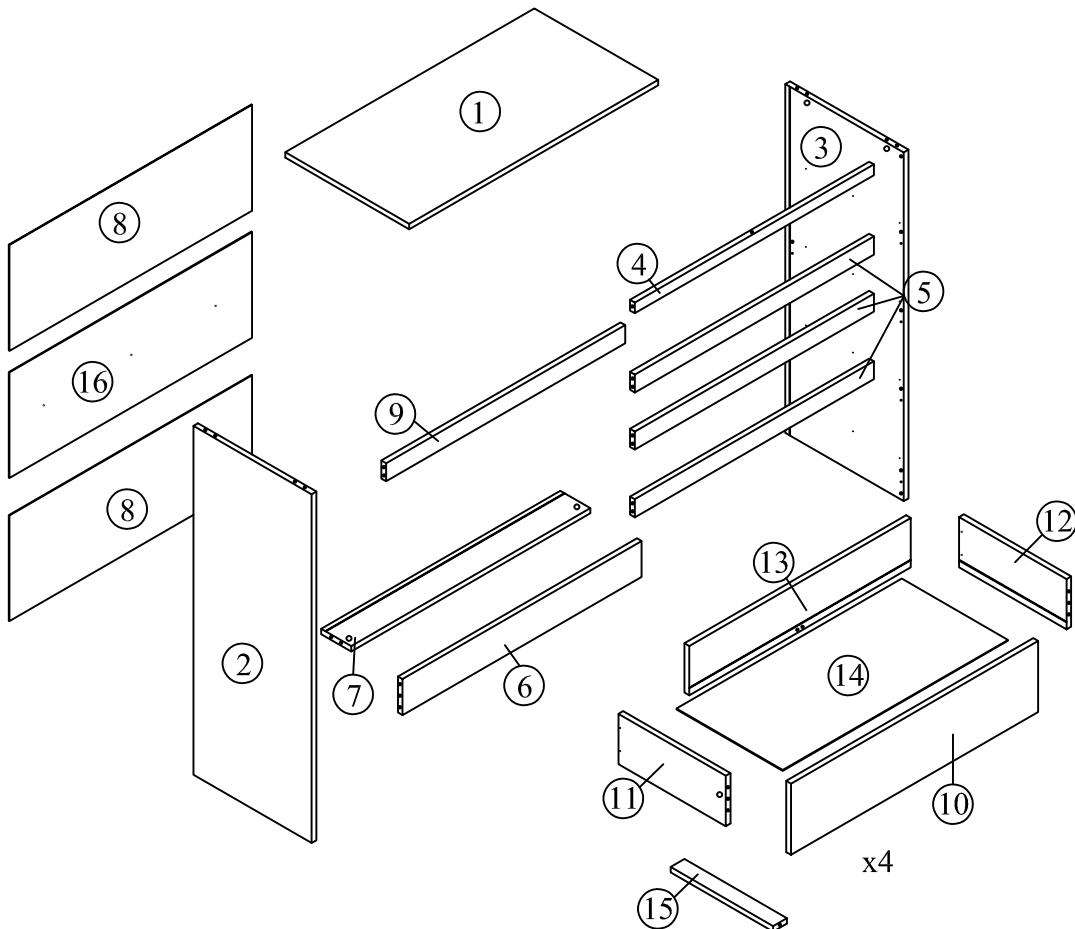


L.H Profile (x2)

***You will need a screwdriver (not provided)**

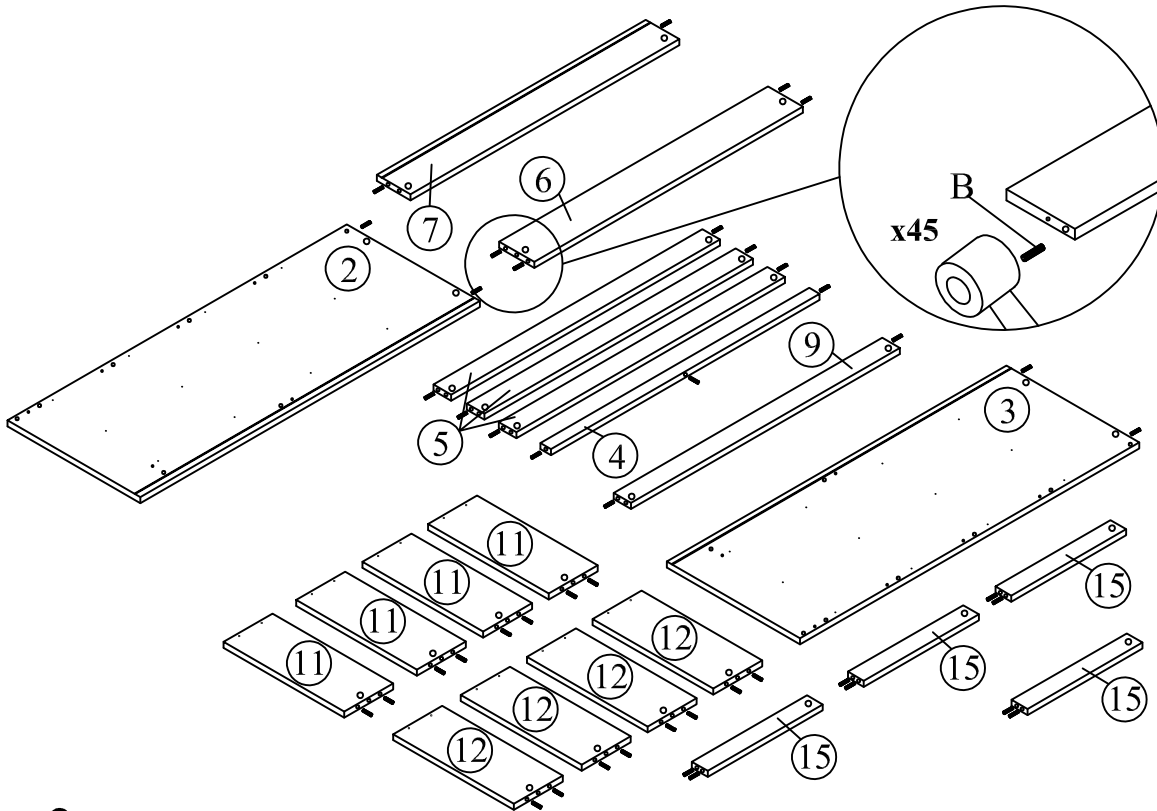
Step 1

Unpack all components from the boxes and check you are not missing anything.Please check these against the list on page 3 & 4.Should you identify any missing components,please contact the retailer you purchased the item from.



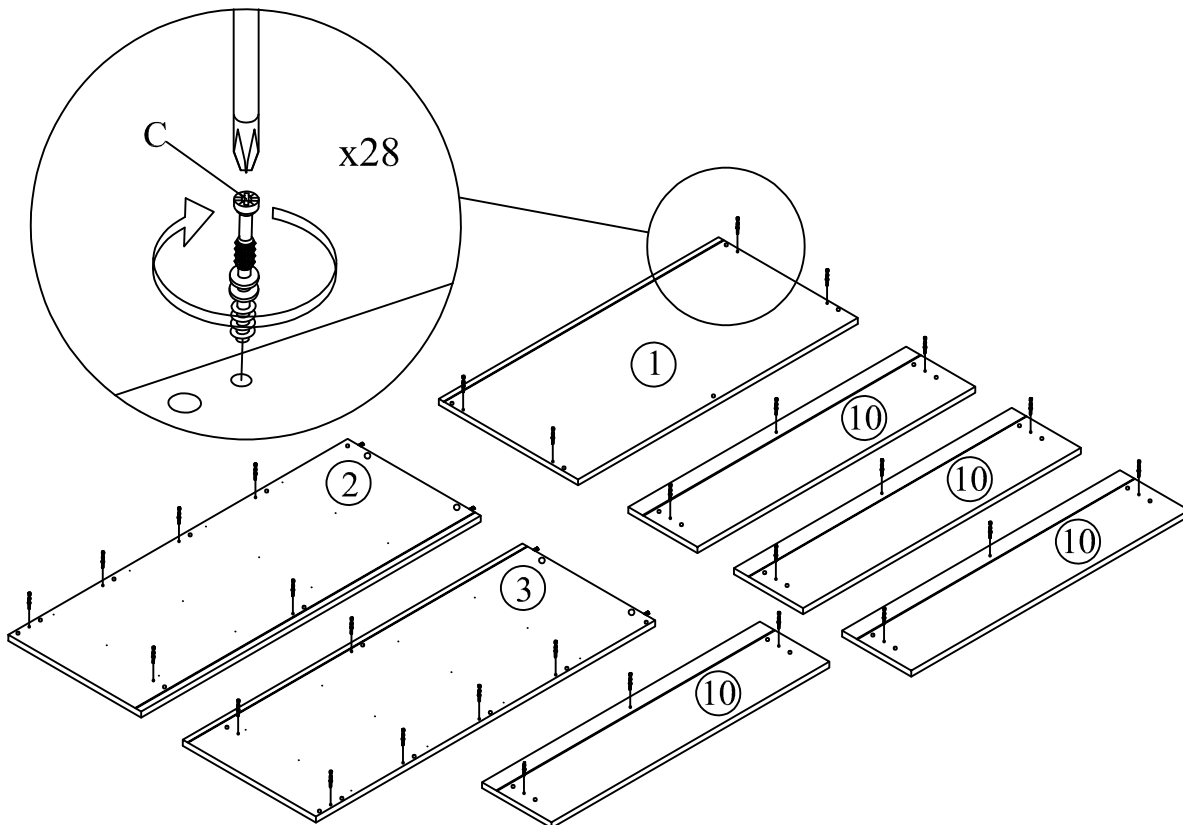
Step 2

Attach the 45x Wood Dowel (B) to the all parts as shown.



Step 3

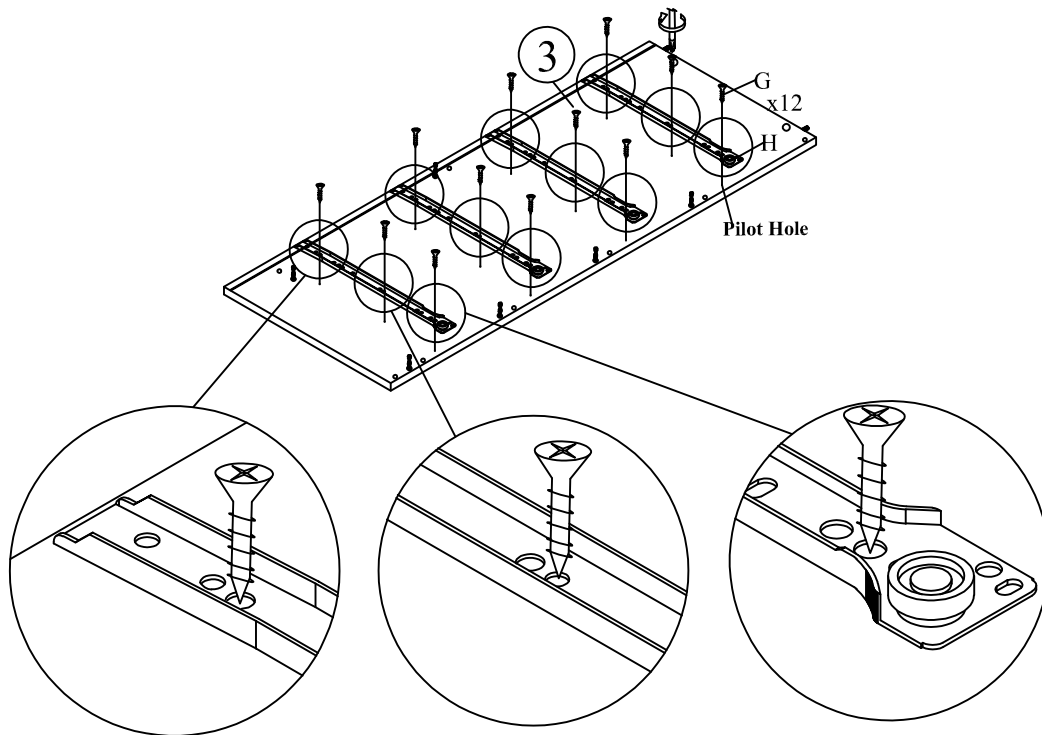
Attach the 28x Minifix Bolt (C) to the all parts as shown.



DO NOT use any power tools as this may damage the frame and will invalidate any claim.

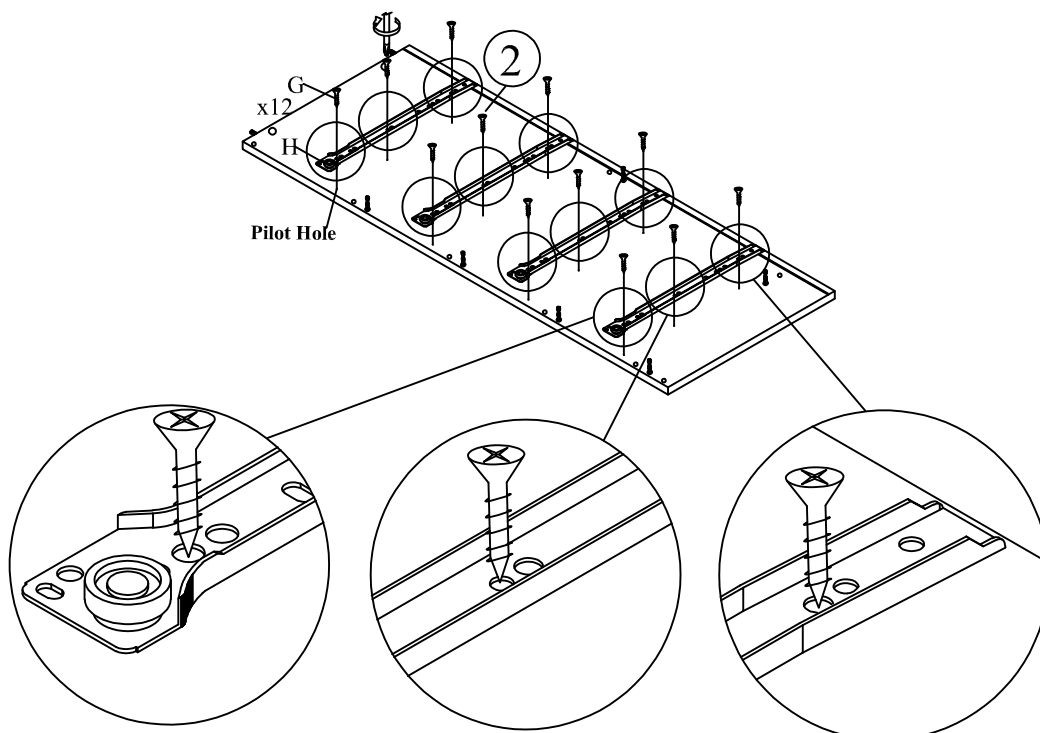
Step 4

Attach the 4x Drawer Slider (H) to 1x Right Side Panel (3) using 12x CSK Screw M3.5x16mm (G).



Step 5

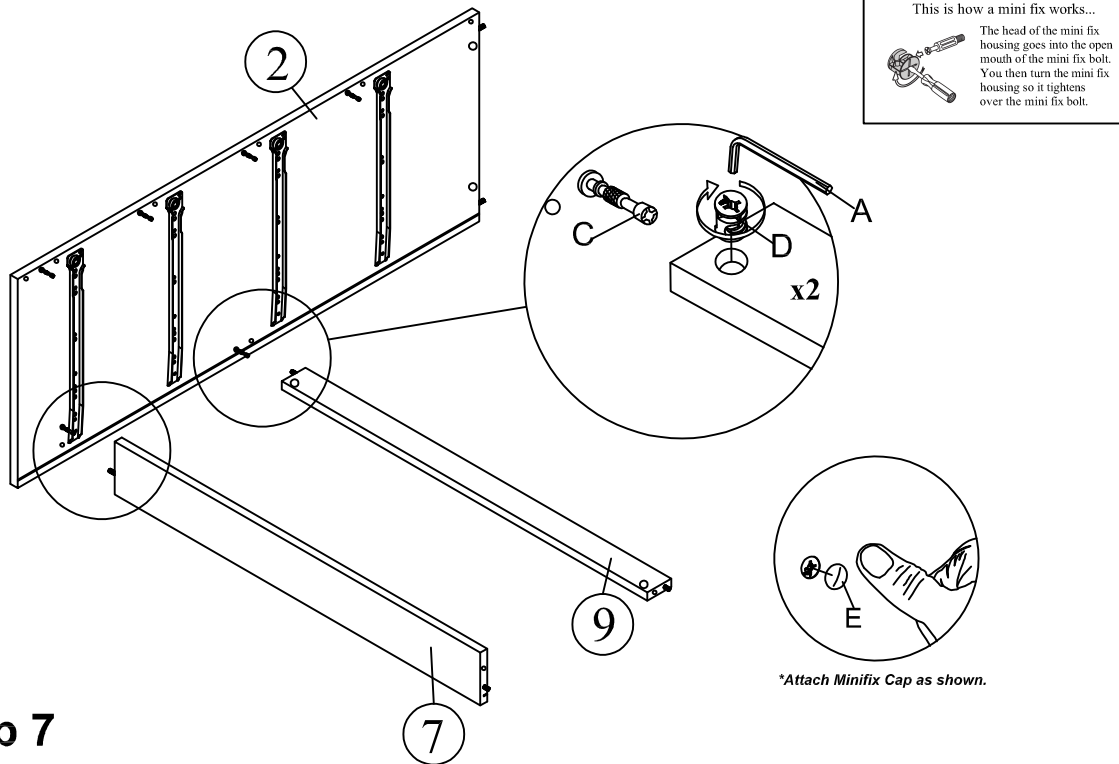
Attach the 4x Drawer Slider (H) to 1x Left Side Panel (2) using 12x CSK Screw M3.5x16mm (G).



DO NOT use any power tools as this may damage the frame and will invalidate any claim.

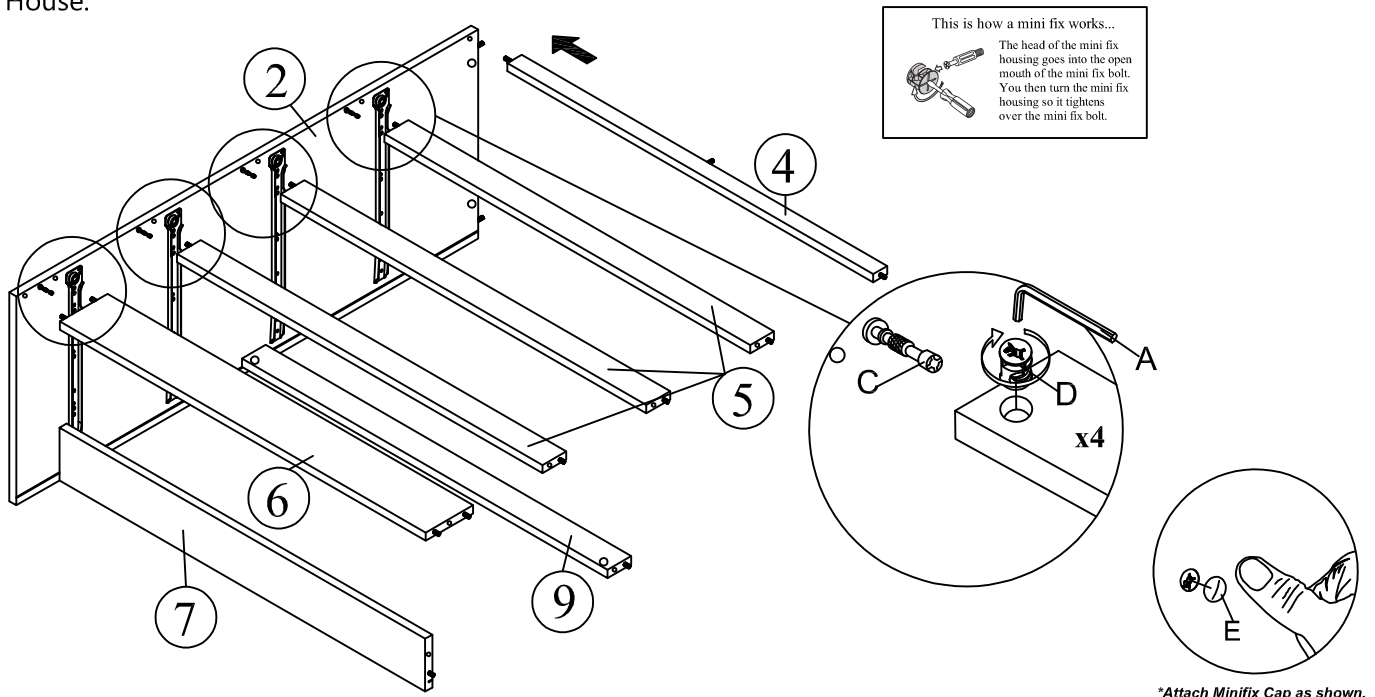
Step 6

Attach the 1x Back Support Panel (7) and 1x Back Inner Panel (9) to 1x Left Side Panel (2) using 2x Minifix Bolt (C) and 2x Minifix Housing (D) and 2x Minifix Cap (E). Turn the 2x Minifix Housing (D) to tighten using the 1x Allen Key (A) or screwdriver (not provided). Cover the 2x Minifix Housing (D) using the 2x Minifix Cap (E) by pressing it into the Minifix House.



Step 7

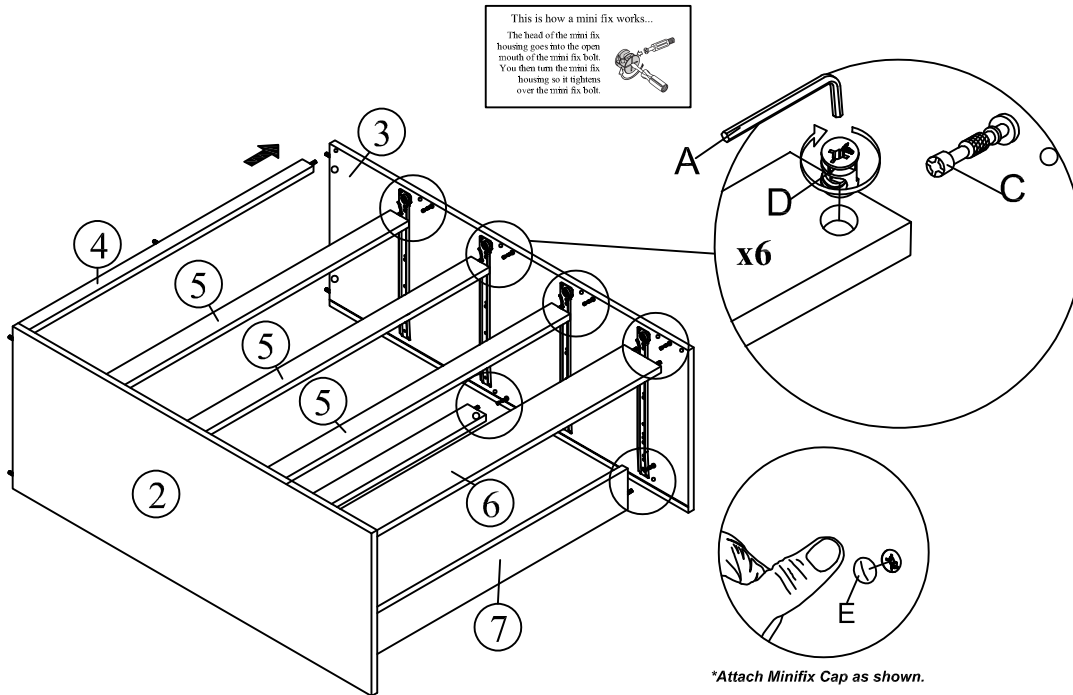
Attach the 1x Top Support Bar (4) and 3x Drawer Support Bar (5) 1x Leg Panel (6) to 1x Left Side Panel (2) using 4x Minifix Bolt (C) and 4x Minifix Housing (D) and 4x Minifix Cap (E). Turn the 4x Minifix Housing (D) to tighten using the 1x Allen Key (A) or screwdriver (not provided). Cover the 4x Minifix Housing (D) using the 4x Minifix Cap (E) by pressing it into the Minifix House.



DO NOT use any power tools as this may damage the frame and will invalidate any claim.

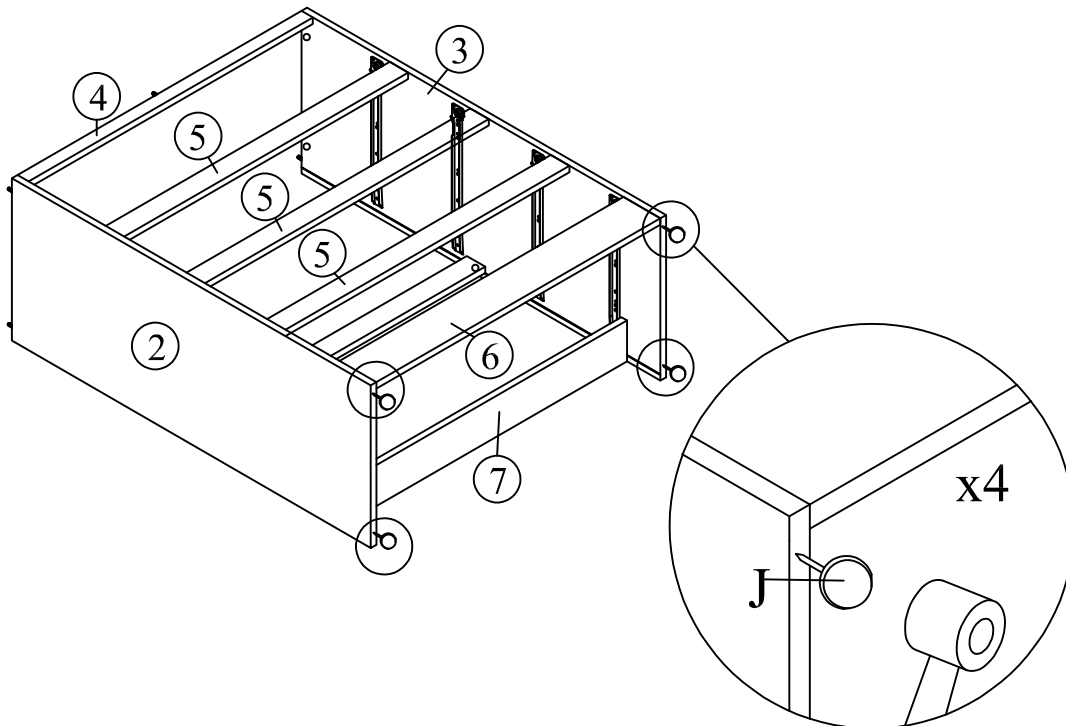
Step 8

Attach the 1x Back Support Panel (7) and 1x Back Inner Panel (9) and 1x Top Support Bar (4) and 3x Drawer Support Bar (5) 1x Leg Panel (6) to 1x Right Side Panel (3) using 6x Minifix Bolt (C) and 6x Minifix Housing (D) and 6x Minifix Cap (E). Turn the 6x Minifix Housing (D) to tighten using the 1x Allen Key (A) or screwdriver (not provided). Cover the 6x Minifix Housing (D) using the 6x Minifix Cap (E) by pressing it into the Minifix House.



Step 9

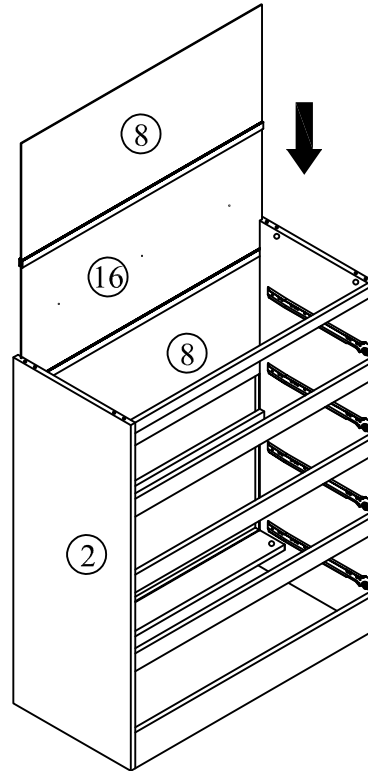
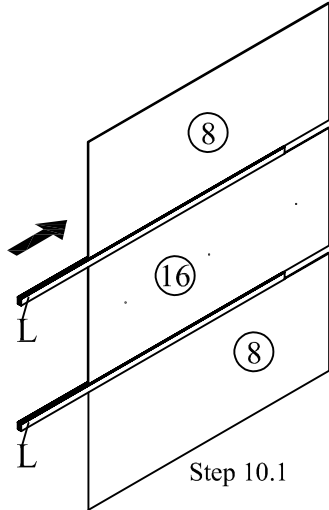
Attach the 4x White Nail Leg (J) to 1x Left Side Panel (2) and 1x Right Side Panel (3) using Hammer



DO NOT use any power tools as this may damage the frame and will invalidate any claim.

Step 10

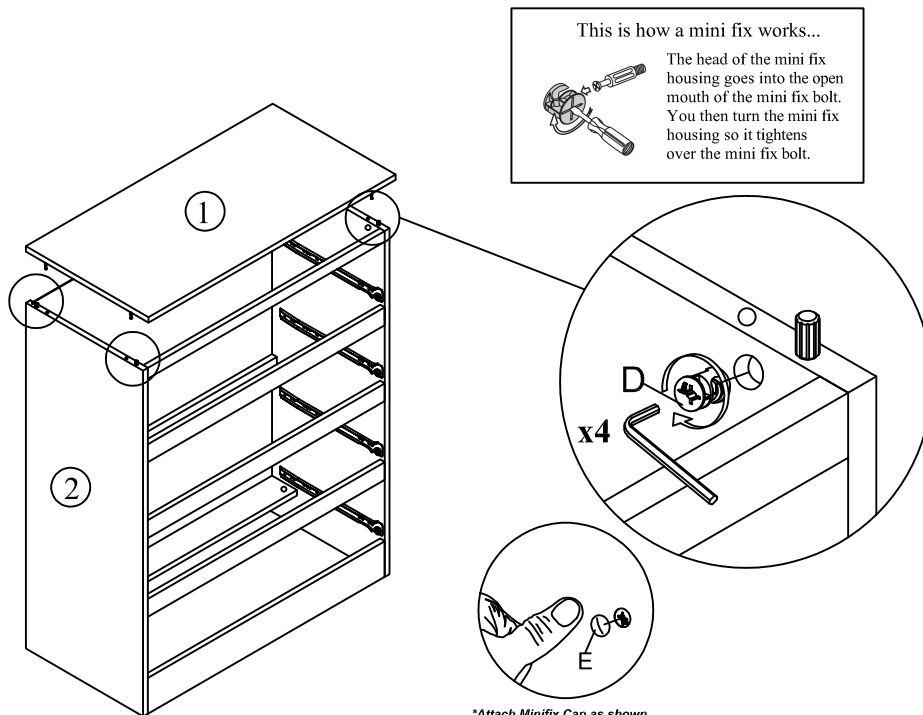
Slot the 2x H Profil (L) in between 2x Back Panel (8) and 1x Back Panel (Pilot Hole)(16), then slot in the slide at 1x Right Side Panel (3) and 1x Left Side Panel (2)



Step 11

Attach the 1x Top Panel (1) to 1x Right Side Panel (3) and 1x Left Side Panel (2) using 4x Minifix Bolt (C) and 4x Minifix Housing (D) and 4x Minifix Cap (E). Turn the 4x Minifix Housing (D) to tighten using the 1x Allen Key (A) or screwdriver (not provided).

Cover the 4x Minifix Housing (D) using the 4x Minifix Cap (E) by pressing it into the Minifix House.

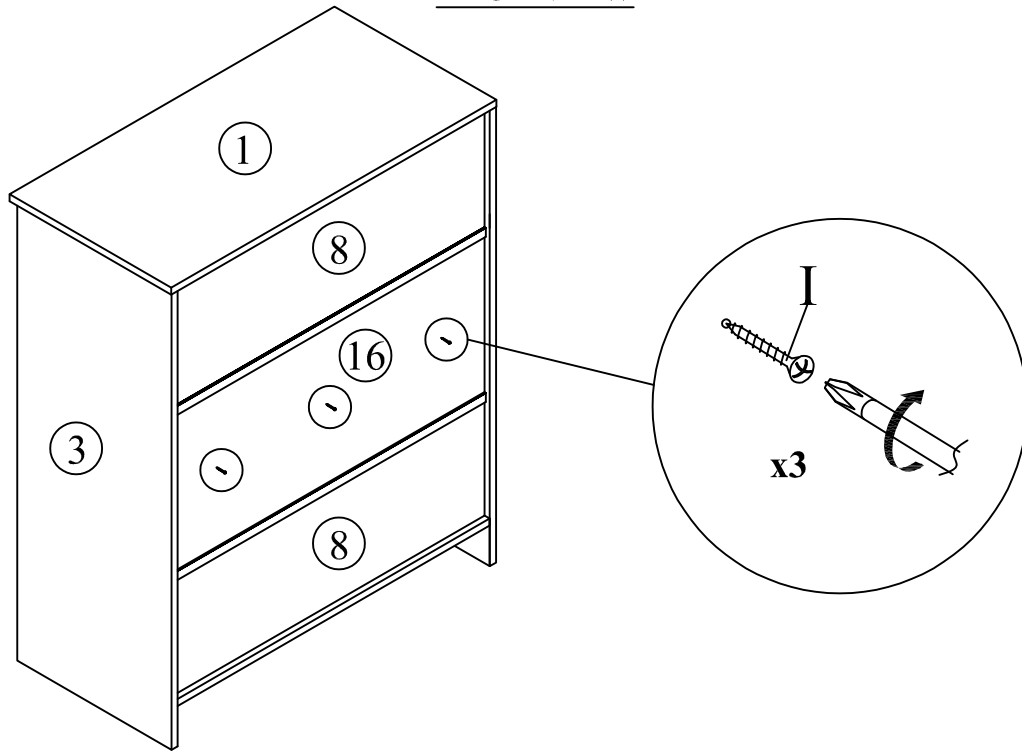


DO NOT use any power tools as this may damage the frame and will invalidate any claim.

Step 12

Tighten the 3x CSK Screw M4x18mm (Black) (I) to 1x Back Panel (Pilot Hole)(16) with a screwdriver (not provided).

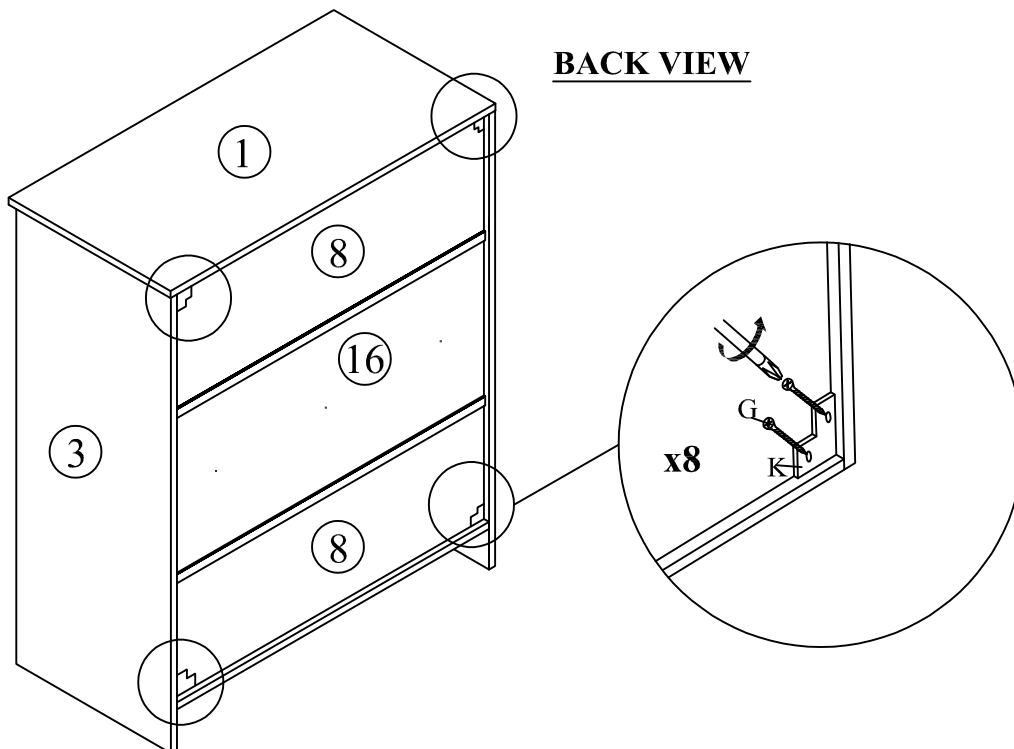
BACK VIEW



Step 13

Attach the 4x L Bracket (K) to 1x Right Side Panel (3), 1x Left Side Panel (2), 1x Top Panel (1) and 1x Back Support Panel (7) using 8x CSK Screw M3.5x16mm (G) with a screwdriver (not provided).

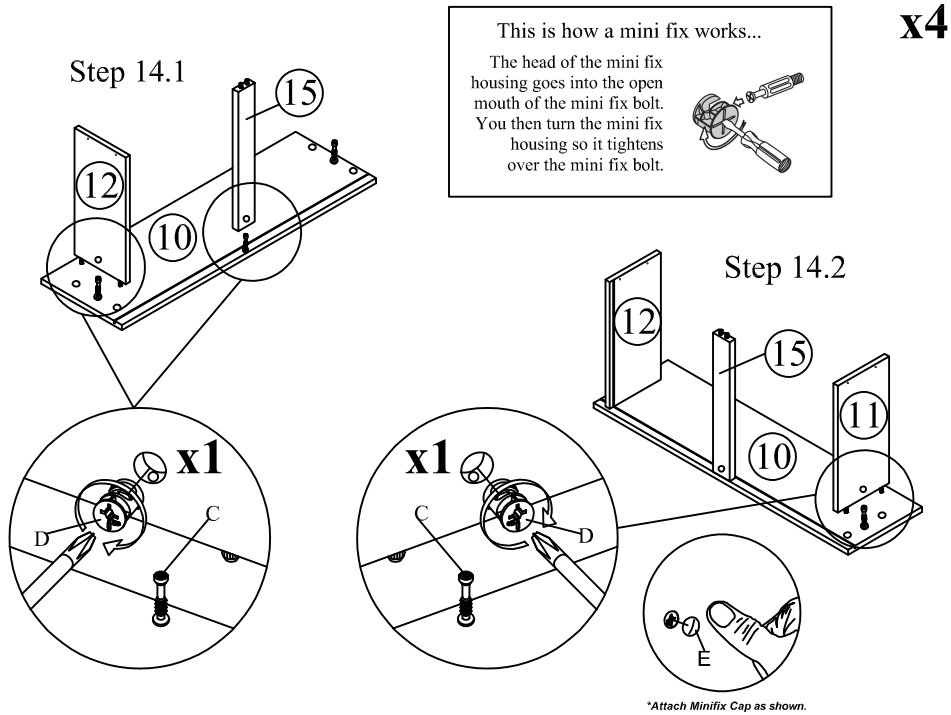
BACK VIEW



DO NOT use any power tools as this may damage the frame and will invalidate any claim.

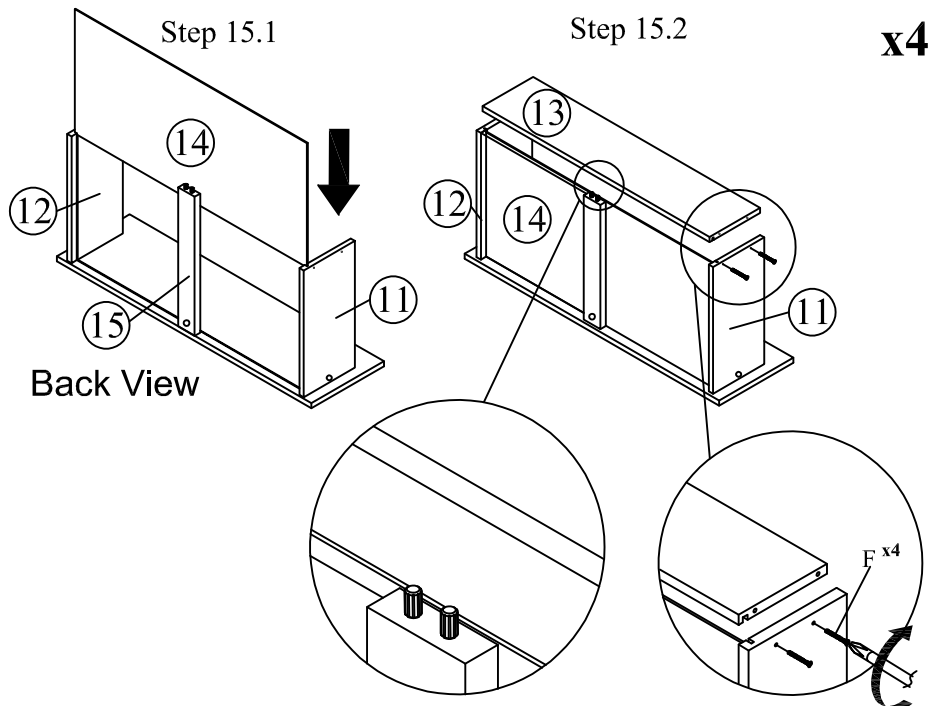
Step 14

Attach the 4x Drawer Side Panel (R) (12), 4x Drawer Side Panel (L) (11) and 4x Drawer Support Bar (15) to 4x Drawer Front Panel using 12x Minifix Bolt (C) and 12x Minifix Housing (D) and 12x Minifix Cap (E). Turn the 12x Minifix Housing (D) to tighten using the 1x Allen Key (A) or with a screwdriver (not provided). Cover the 12x Minifix Housing (D) using the 12x Minifix Cap (E) by pressing it into the Minifix House.



Step 15

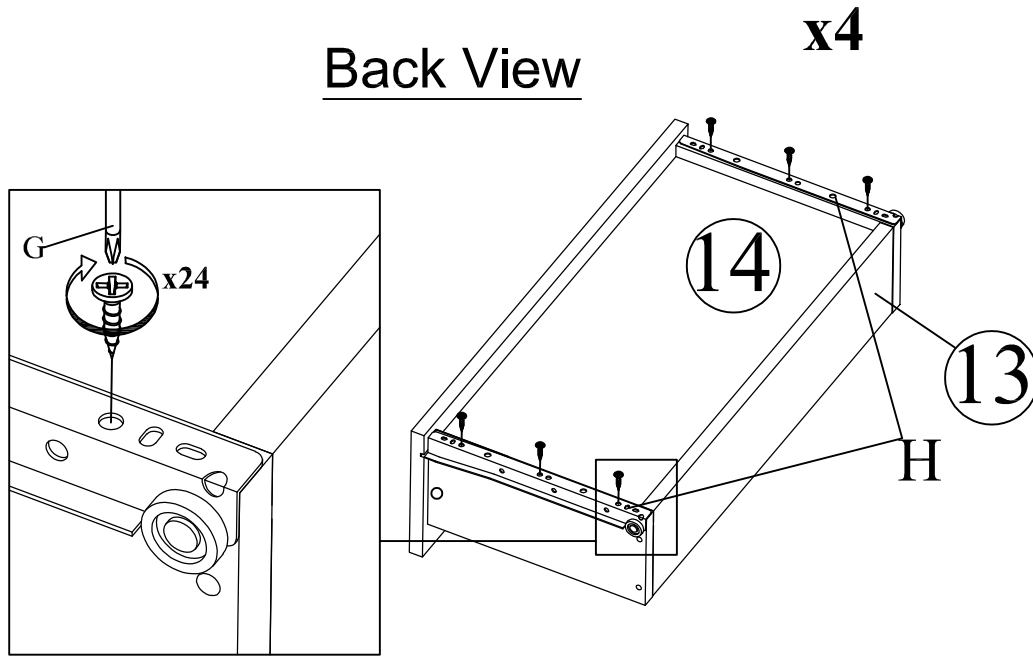
Slot 4x Bottom Panel (14) to 4x Drawer Side Panel (L) (11) and 4x Drawer Side Panel (R) (12) then tighten 4x Drawer Back Panel (13) using 16x CSK Screw M4x50mm (F) with a screwdriver (not provided).



DO NOT use any power tools as this may damage the frame and will invalidate any claim.

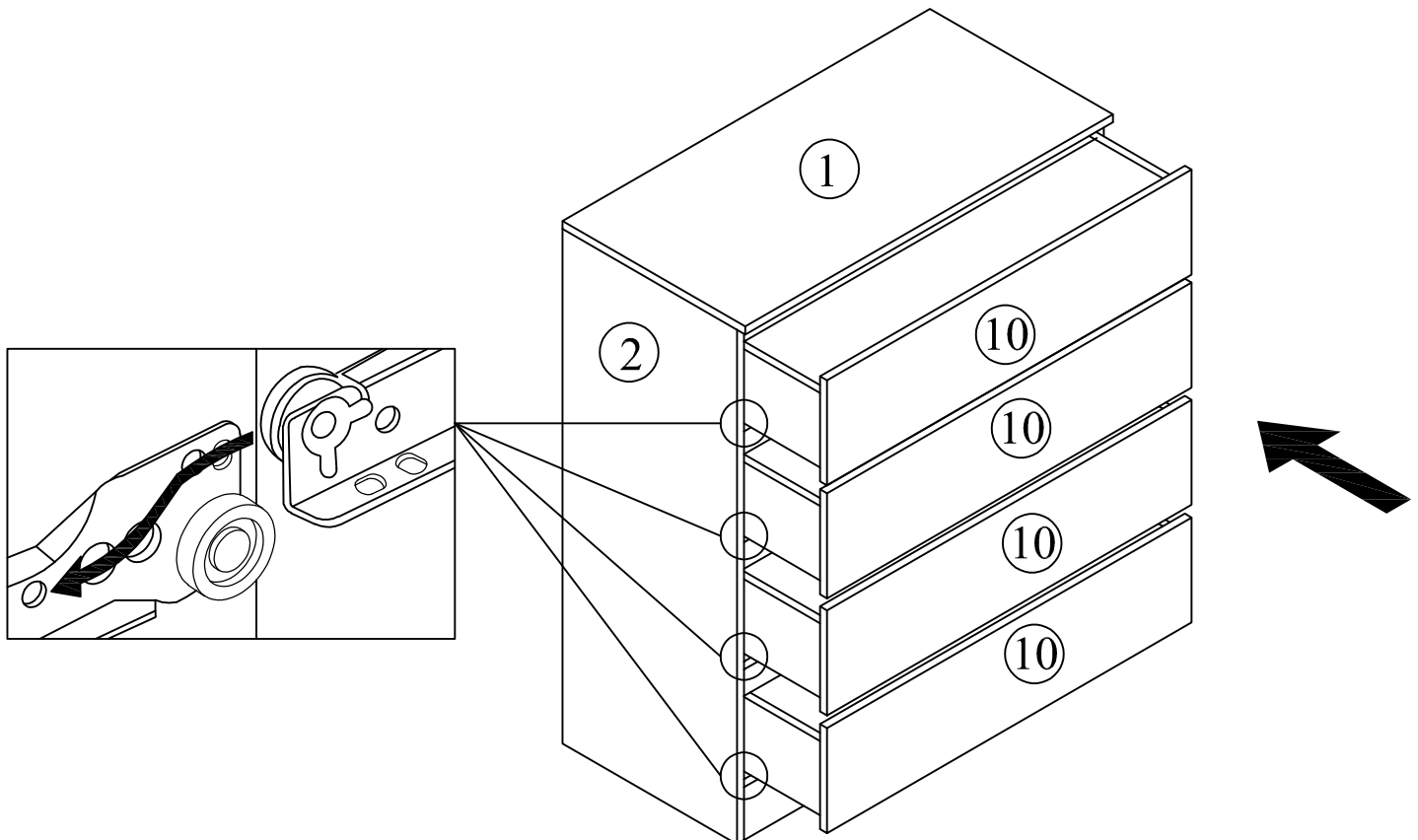
Step 16

Tighten the 24x CSK Screw M3.5x16mm (G) to 4x Drawer Slider (H) and to the Side Panel (L/R) as shown.

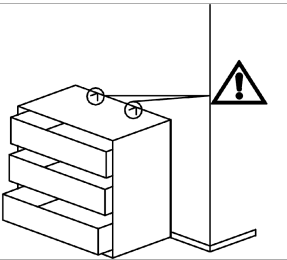
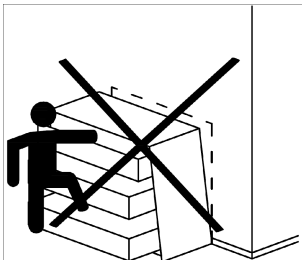


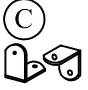



Step 17

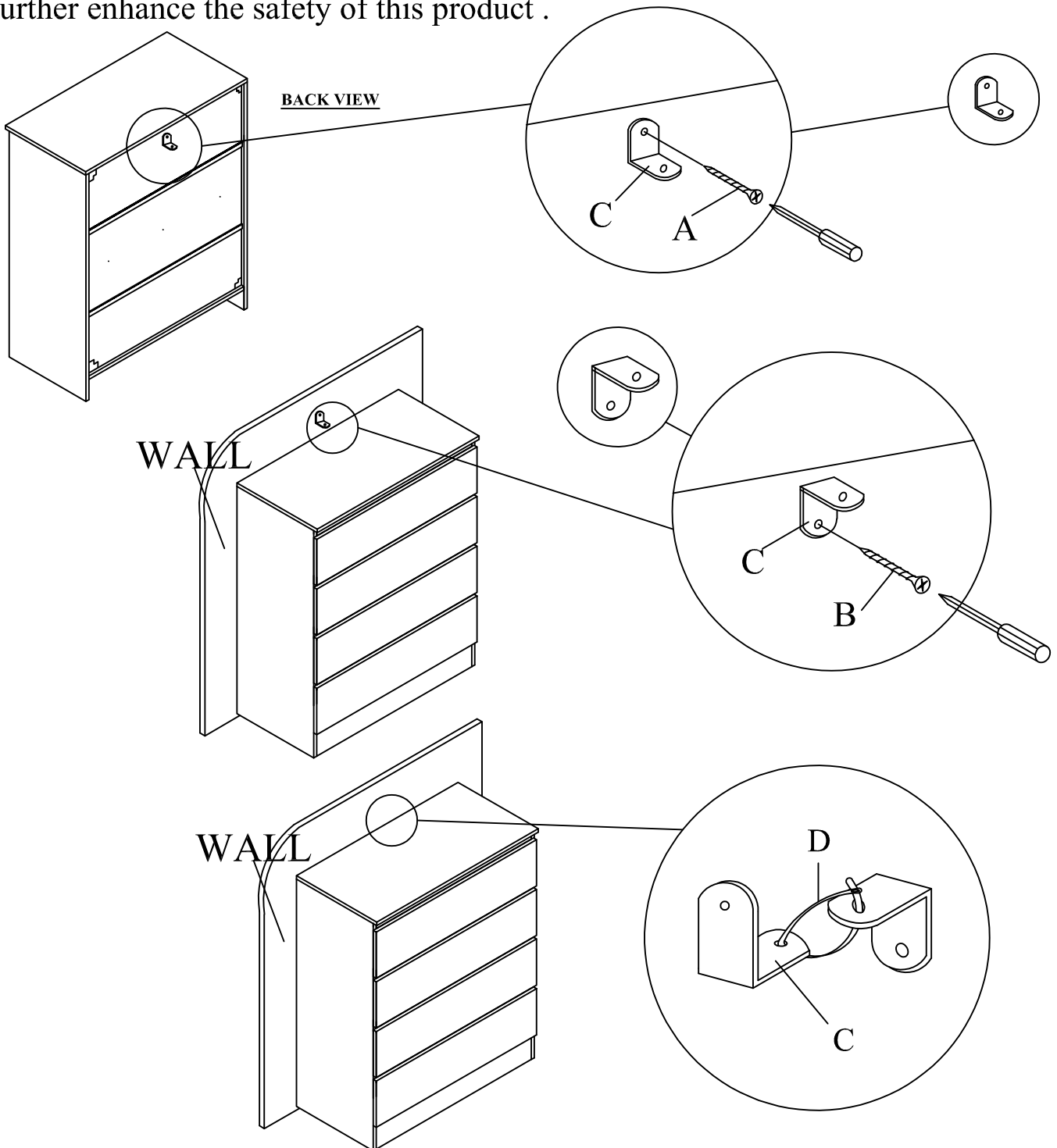
Slide the all drawer to the slider as shown



DO NOT use any power tools as this may damage the frame and will invalidate any claim.

Anti - Tipping	(A)	(B)	(C)	(D)	 
	 CSK Screw M3.5x16mm 1PC	 CSK Screw M4x50mm 1PC	 L BRACKET 2PCS	 CABLE TIE 1PC	

*Birlea Furniture advise you use the hardware Anti tipping are provided to further enhance the safety of this product .



DO NOT use any power tools as this may damage the frame and will invalidate any claim.