



Birlea

Suppliers of inspiration

Assembly Instructions

Thank you for
purchasing a
Birlea product.

For a chance to win a Love 2 Shop voucher simply post a picture of your new product on your preferred social channels tagging Birlea Furniture and using the hashtag **#ShareYourStyle** and **#Birlea**. One winner will be selected at random each month.

To view our full terms and conditions please visit www.birlea.com

Are you happy with your purchase?

Yes: That's great, we would love to hear more from you. Please leave us a review on our social media channels or Trustpilot. Your feedback will be greatly appreciated.

No: If for any reason there is something missing, indifferent or incorrect with your order, please contact the retailer you purchased the item from. We will work with the retailer to resolve your issue as quickly as possible.



150CM OSLO OTTOMAN BED

Assembly Instructions

Before you begin...

1. Please check in your desired room of use.
2. Unpack all boxes and lay out each component on the floor.
3. Check your product for any damage that may be immediately obvious. If damage is identified, please contact your retailer.
4. Please read through these instructions thoroughly to ensure you have constructed your bed correctly.

For Care and Maintenance of your bed...

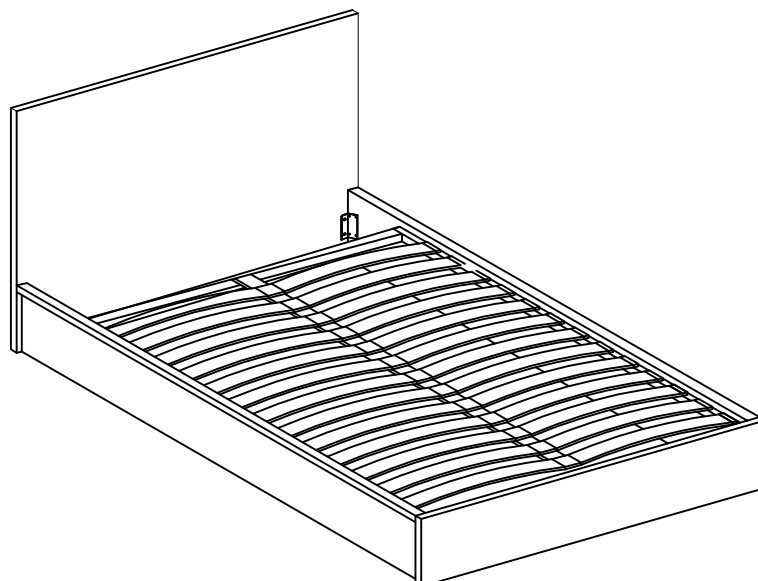
- Always assemble in your desired room of use.
- Always check all screw and fixings periodically to ensure they are still secure.
- Do not push or pull this bed as it will cause damage.
- Always lift this bed with a second person to prevent damage or injury.
- Keep any sharp objects away from this bed frame.

For your Health and Safety...

- Please don't not jump on this bed.
- Do not use this bed if you find missing, damaged or worn parts. Please contact your retailer.
- Please do not use this bed until you have fully secure all fixings.
- Please keep all small components away from children.
- Please ensure this bed is on an even, level surface.

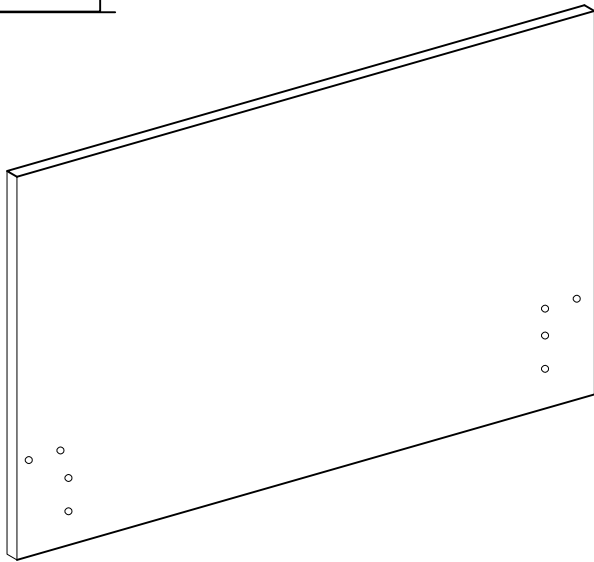
Also...

If your desired room of choice has a non-carpeted surface ensure please that you use some form of anti-slip protection and **do not** place directly on the wooden floor. This will prevent the bed from moving and therefore collapsing which will void your guarantee...

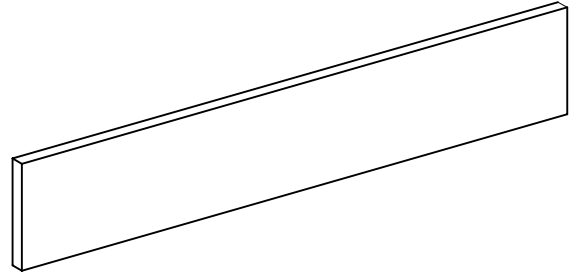




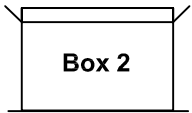
Box 1



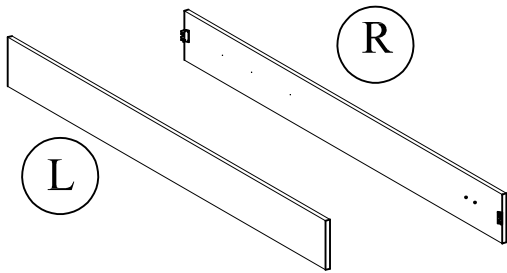
1.Headboard (x1)



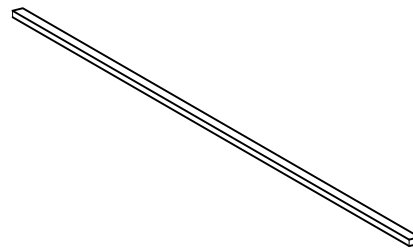
2.Footboard (x1)



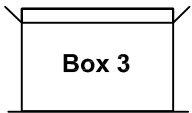
Box 2



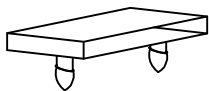
3.Side Rail L/R (x2)



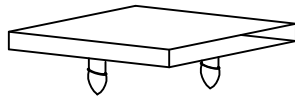
18.Side Rail Support (x2)



Box 3



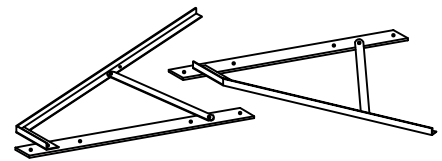
4.End Holder (x24)



5.Middle Holder (x12)



6.Slats (x24)



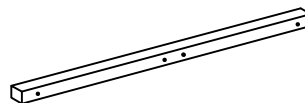
7.Pump Mounting Bracket (x2)



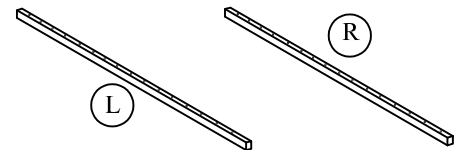
8.Bracket Base (x2)



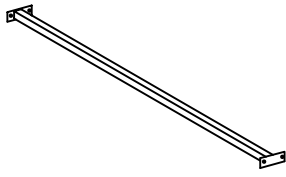
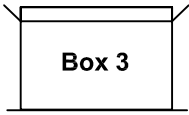
9.FB/SR Angle Bracket (x2)



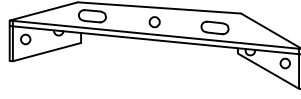
10.Main Frame (Front/End) (x2)



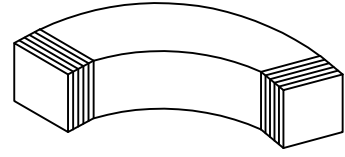
11.Main Frame Side (x2)



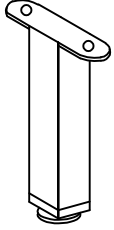
12.Center Rail (x1)



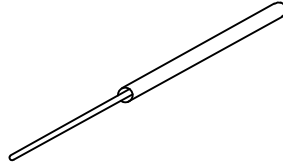
13.Metal Corner Bracket (x4)



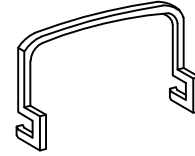
14.Rubber Corner Connector (x4)



15.Support Leg (x1)



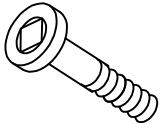
16.Gas Spring (x2)



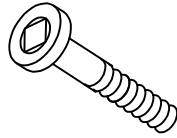
17.Stopper (x1)

Hardware

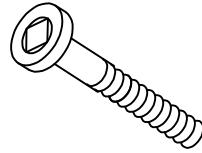
All fitting are stored within Box 3



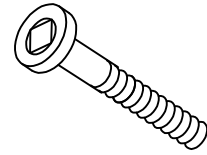
A.M6 x 20 mm JCBC (x8)



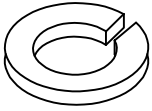
B.M6 x 40 mm JCBC (x8)



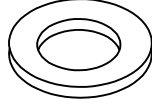
C.M6 x 50 mm JCBC (x18)



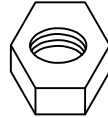
D.JCBB M8 x 50 mm (x10)



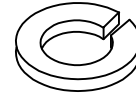
E.M6 Spring Washer Black (x52)



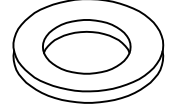
F.M6 Flat Washer Black (x52)



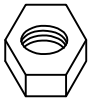
G.M6 Hex Nut (x18)



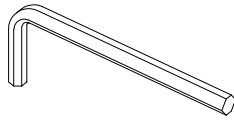
H.M8 Spring Washer Black (x20)



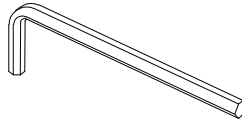
I.M8 Flat Washer Black (x20)



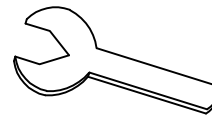
J.M8 Hex Nut (x10)



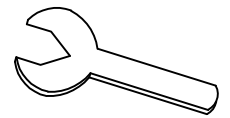
K.Allen Key M4 (x1)



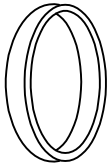
L.Allen Key M5 (x1)



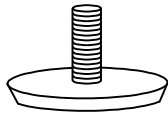
M.M6 Spanner (x1)



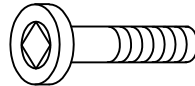
N.M8 Spanner (x1)



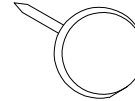
O.Frame Lifter (x1)



P.Adjuster (x1)



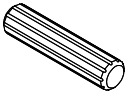
Q.JCBB M6 x 20 mm (x8)



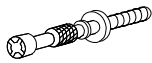
R.White Nail (x8)



S.M8 Flat Washer (x8)



T.Dowel (x8)



U.Minifix Bolt (x10)



V.Minifix Housing (x10)

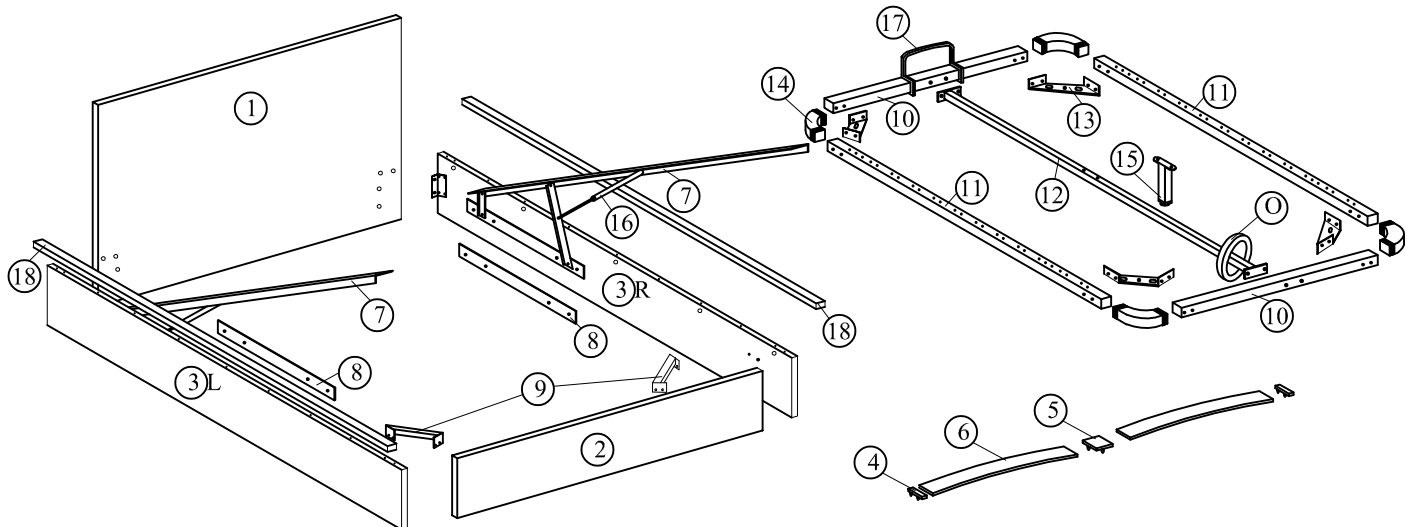


W.Minifix Cap (x10)

***You will need a screwdriver (not provided)**

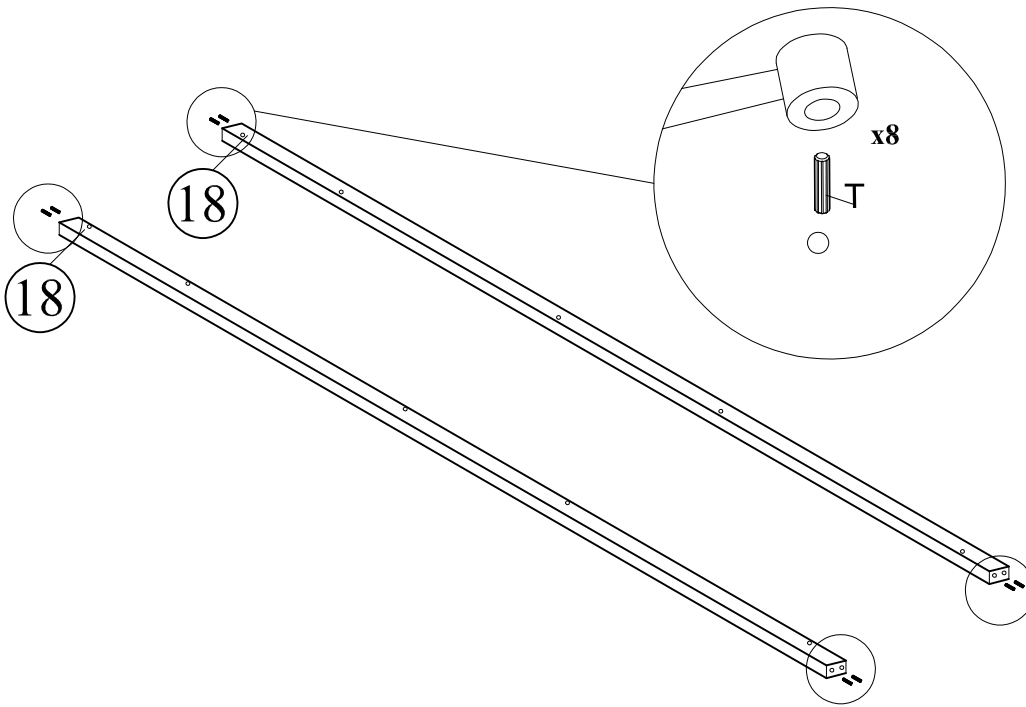
Step 1

Unpack all components from the boxes and check you are not missing anything. Please check these against the list on page 3,4&5. Should you identify any missing components, please contact the retailer you purchased the bed from.



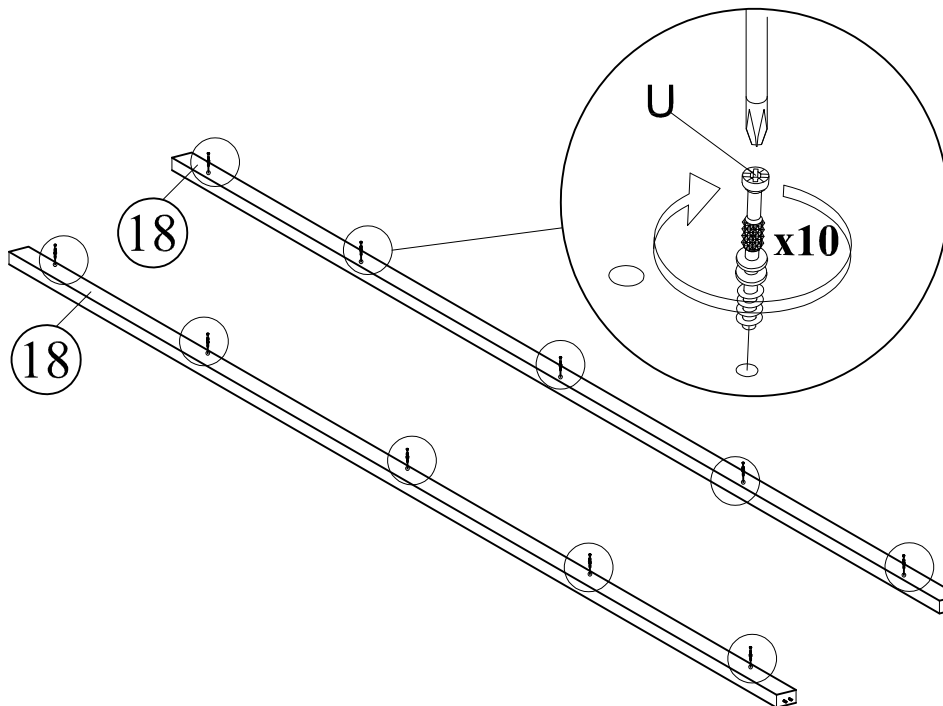
Step 2

Attach the 8x Plastic Dowel (T) to the all parts as shown.



Step 3

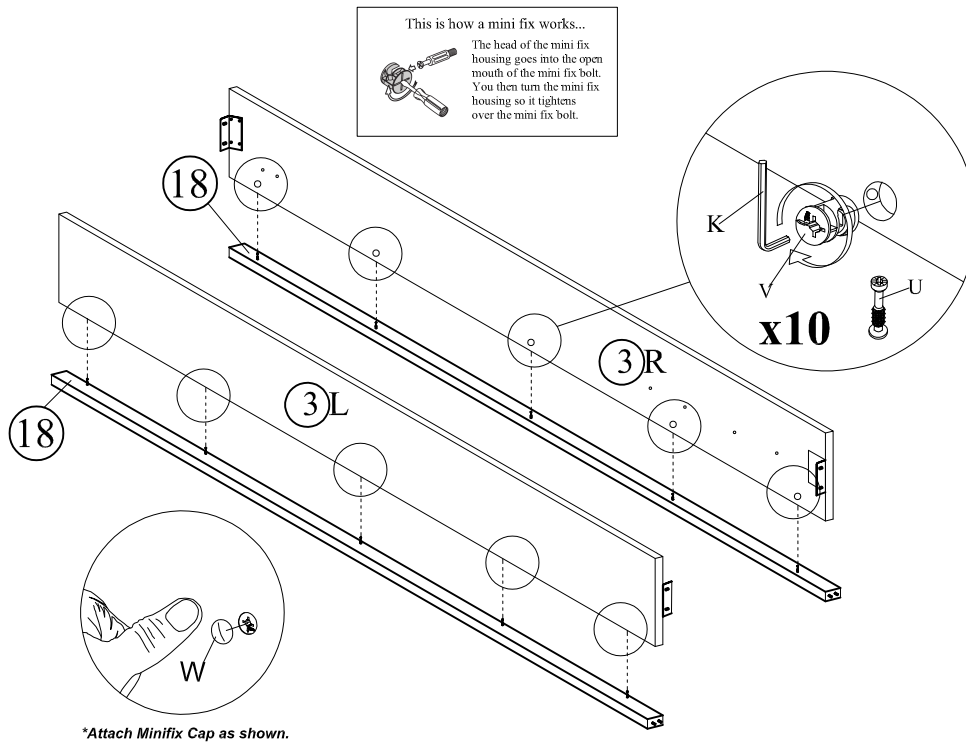
Attach the 10x Minifix Bolt (U) to the all parts as shown.



DO NOT use any power tools as this may damage the frame and will invalidate any claim.

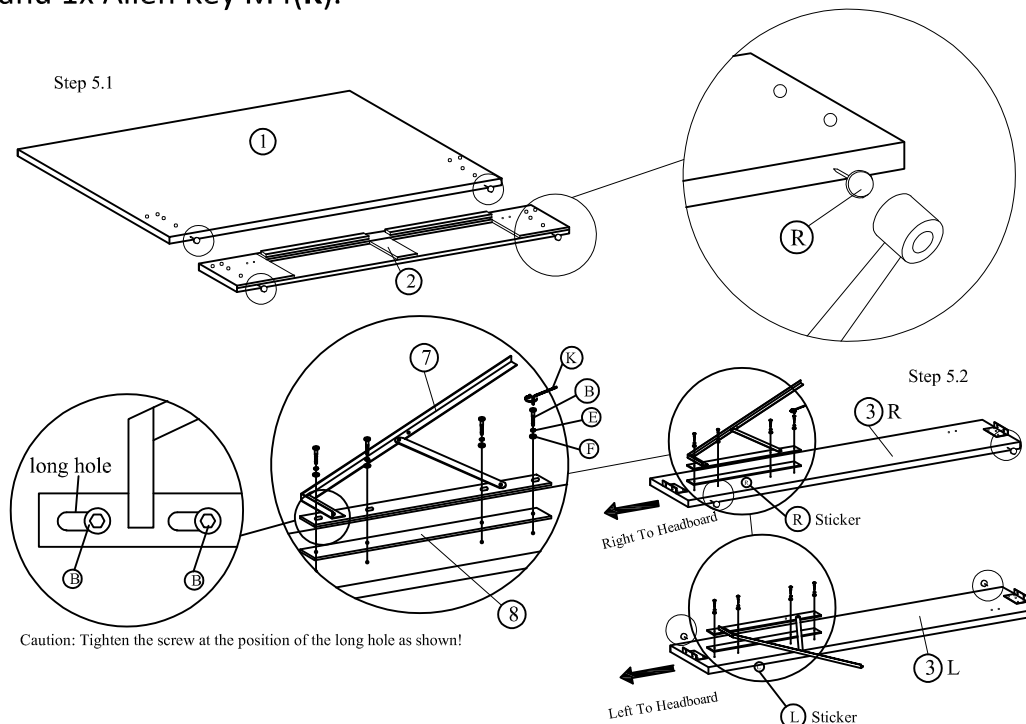
Step 4

Attach the 2x Side Rail Left/Right (3) to 2x Side Rail Support (18) using 10x Minifix Bolt (U) and 10x Minifix Housing (V) and 10x Minifix Cap (W). Turn the 10x Minifix Housing (V) to tighten using the 1x Allen Key (K) or screwdriver. Cover the 10x Minifix Housing (V) using the 10x Minifix Cap (W) by pressing it into the Minifix House.



Step 5

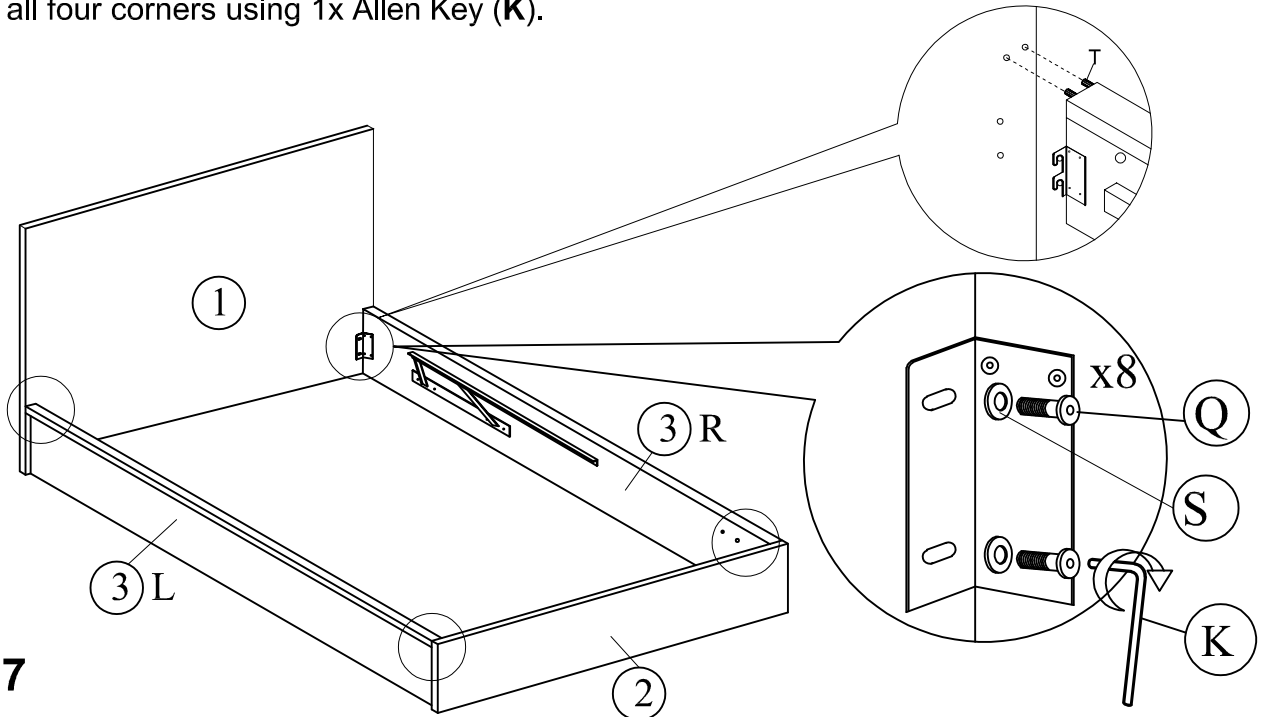
Attach the 8x White Nail Leg (R) to 1x Headboard (1) and 1x Footboard (2), 2x Side Rail (3) using Hammer. Attach the 2x Pump Mounting bracket (7) and 2x Bracket Base (8) to the 2x Side Rail Left/Right (3) using hardware parts 8x M6 x 40 mm JCBC (B), 8x M6 Spring Washer (E), 8x M6 Flat Washer (F) and 1x Allen Key M4 (K).



DO NOT use any power tools as this may damage the frame and will invalidate any claim.

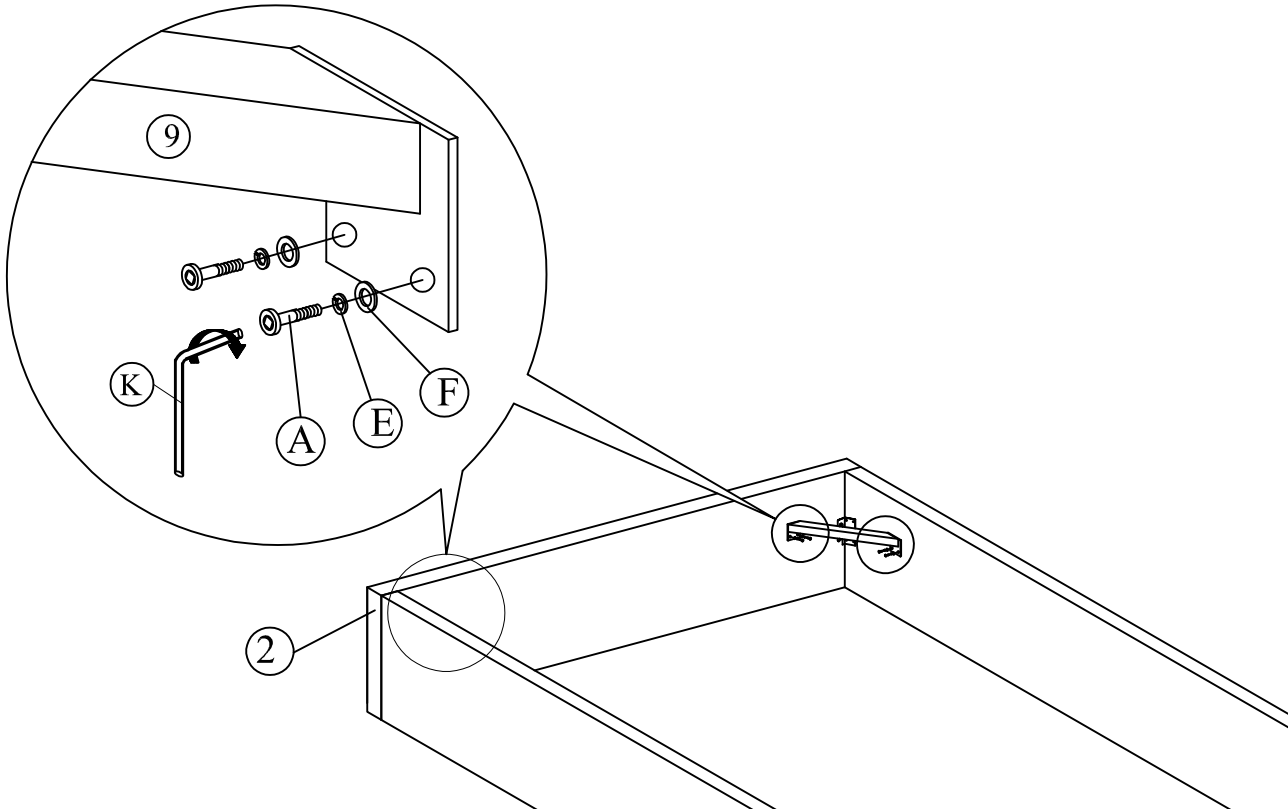
Step 6

Match the 8x Dowel (T) into 1x Headboard (1) and 1x Footboard (2) then attach 8x JCBB M6 x 20mm (Q) with 8x M8 Flat Washer (S) slot the 2x Side Rail Left/Right (3) onto the bolts attached to the 1x Headboard (1). Then slot 2x Side Rail Left/Right (3) onto the bolts attached to the 1x Footboard (2). Tighten all four corners using 1x Allen Key (K).



Step 7

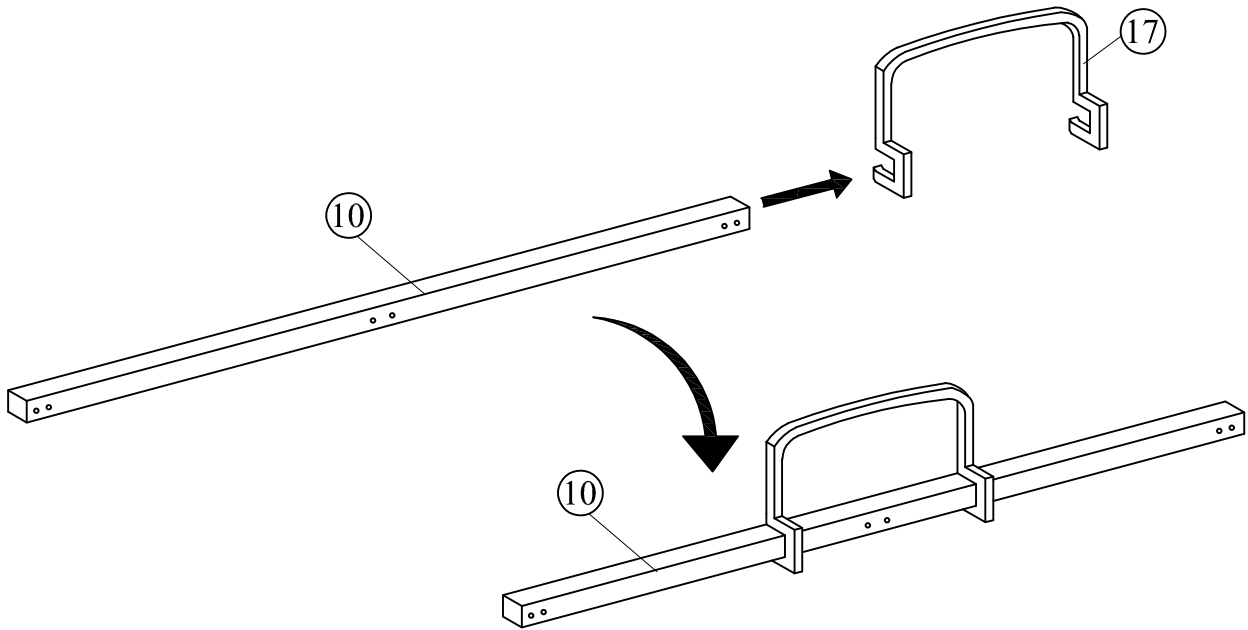
Attach the 2x FB/SR Angle Bracket (9) to the 2x Side Rail Left/Right (3) with 8x M6 x 20mm JCBC (A), 8x M6 Spring Washer (E), 8x M6 Flat Washer (F) using 1x Allen Key M4 (K).



DO NOT use any power tools as this may damage the frame and will invalidate any claim.

Step 8

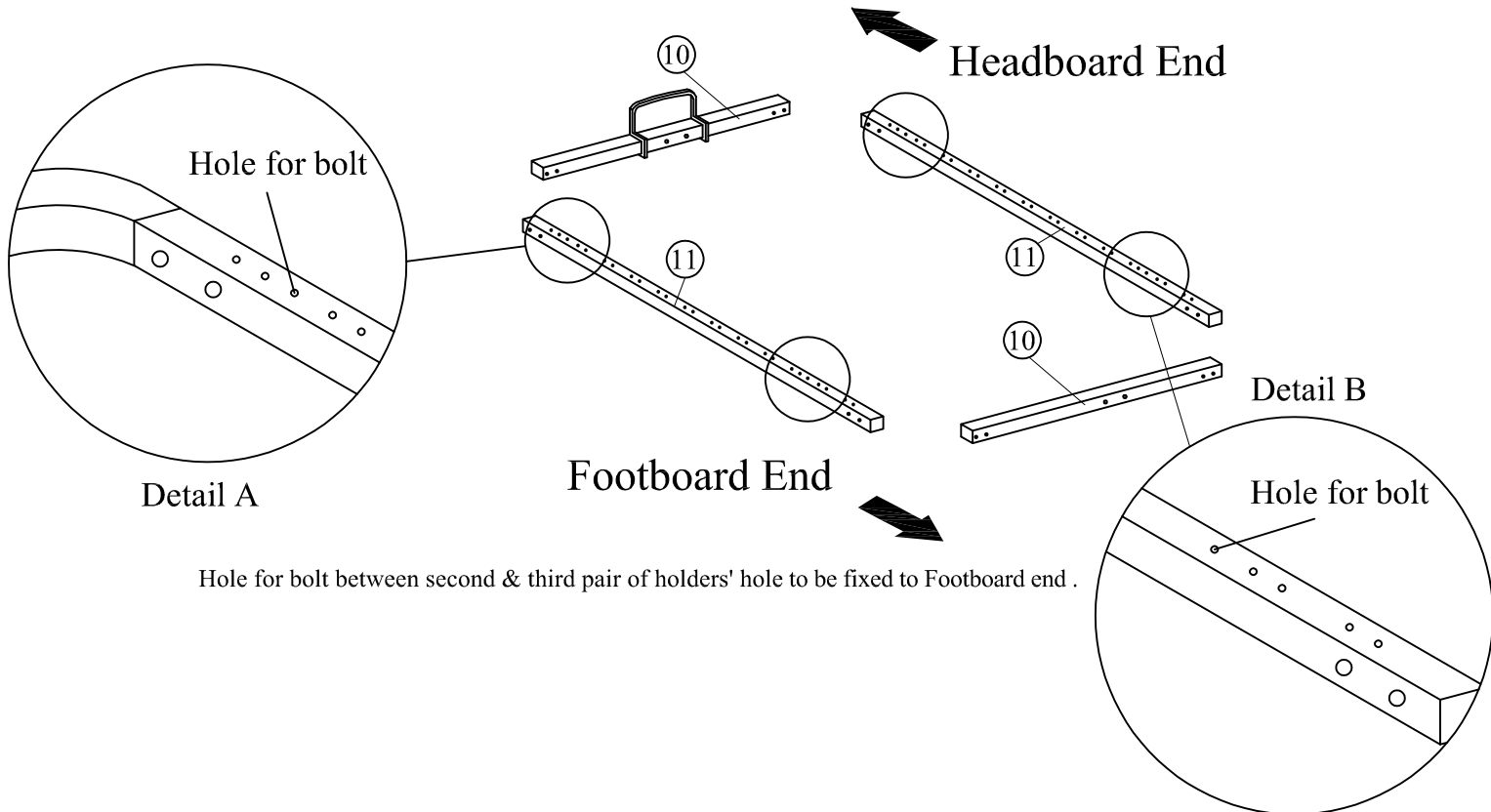
Slot 1x Stopper (17) to 1x Main Frame (Front/End) (10) as shown.



Step 9

Arrange the 2x Main Frame Side (11) beside 2x Main Frame (Front/End) (10) as shown.

Hole for bolt between first & second pair of holders' hole to be fixed to headboard end.

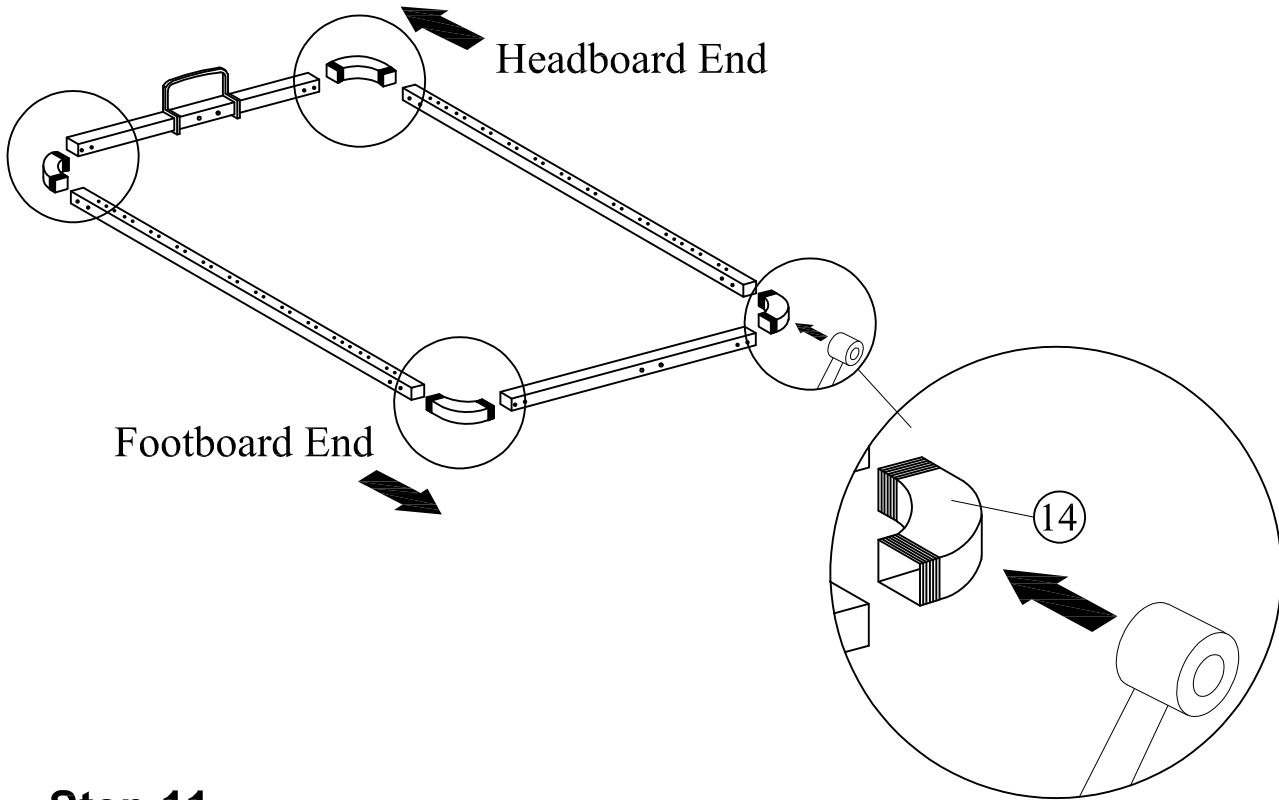


Hole for bolt between second & third pair of holders' hole to be fixed to Footboard end.

DO NOT use any power tools as this may damage the frame and will invalidate any claim.

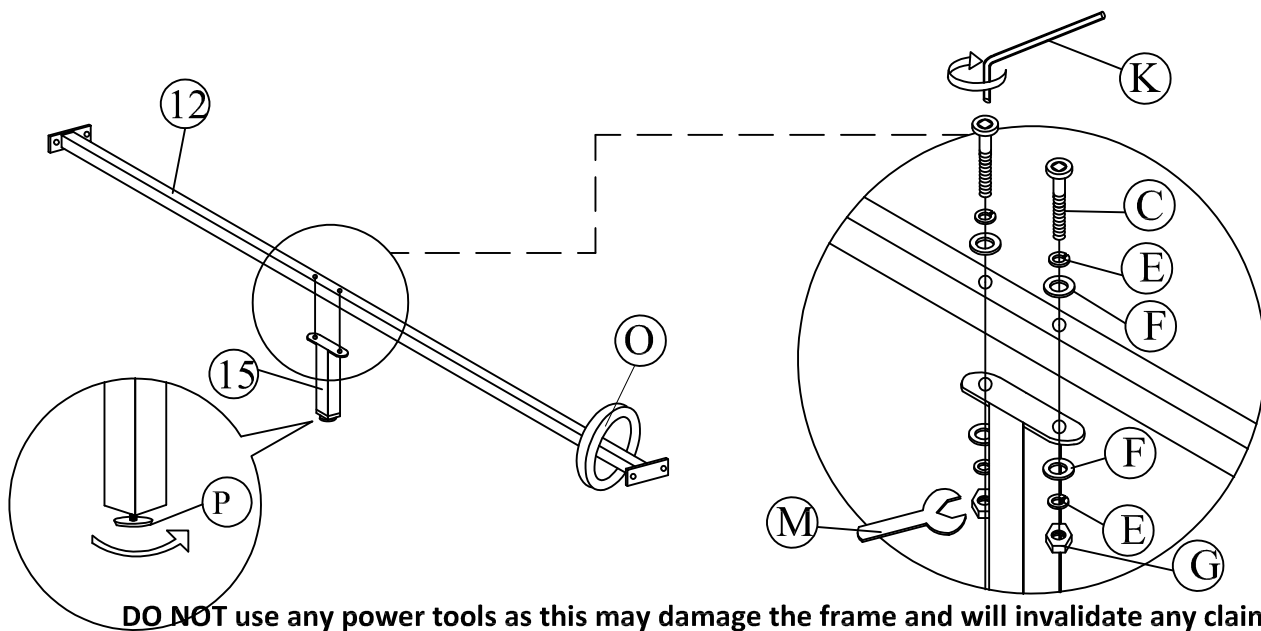
Step 10

Slot 4x Rubber Corner Connector (14) at 2x Main Frame (Front/End) (10) and 2x Main Frame Side (11) as shown.



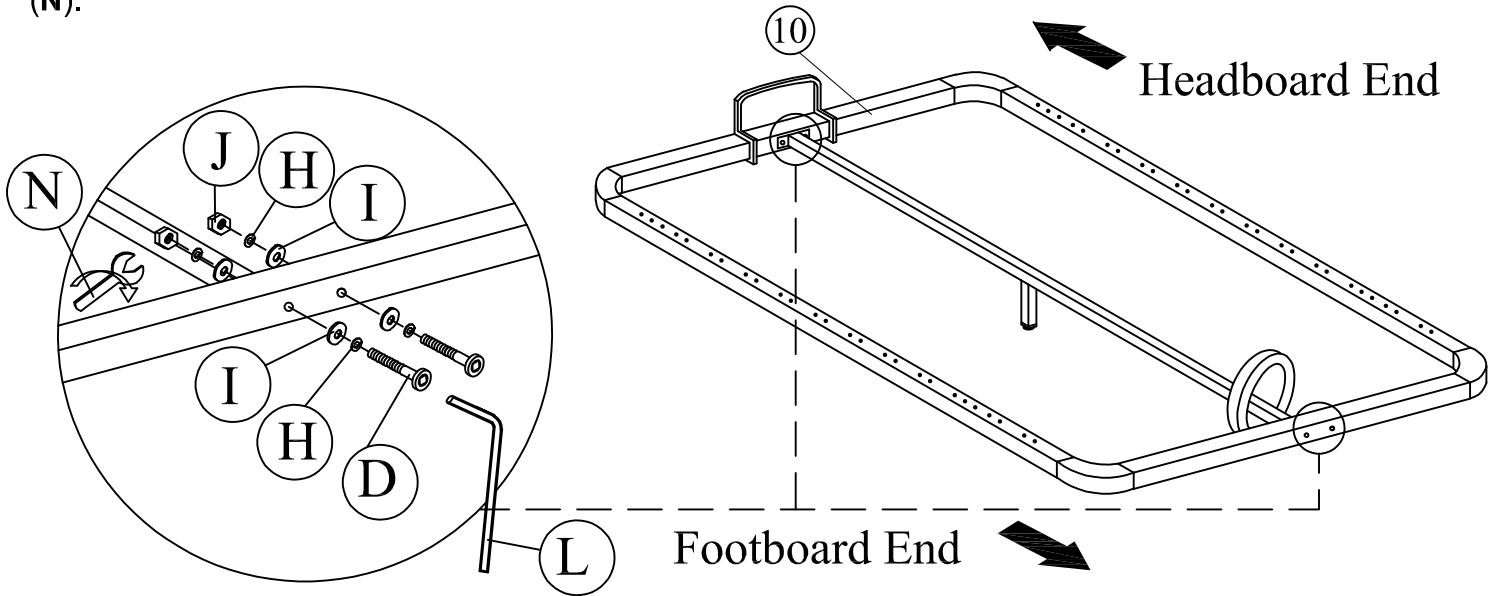
Step 11

Tighten the 1x Support Leg (15) to 1x Center Rail (12) using 2x M6 x 50mm (C), 2x M6 Spring Washer (E), 2x M6 Flat Washer (F) using 1x Allen Key M4 (K), after that attach 2x M6 Spring Washer (E), 2x M6 Flat Washer (F) then insert 2x M6 Hex Nut (G) using 1x M6 Spanner (M). Then, screw 1x Adjuster (P) to Support Leg (15). Insert 1x Frame Lifter (O) to 1x Center Rail (12).



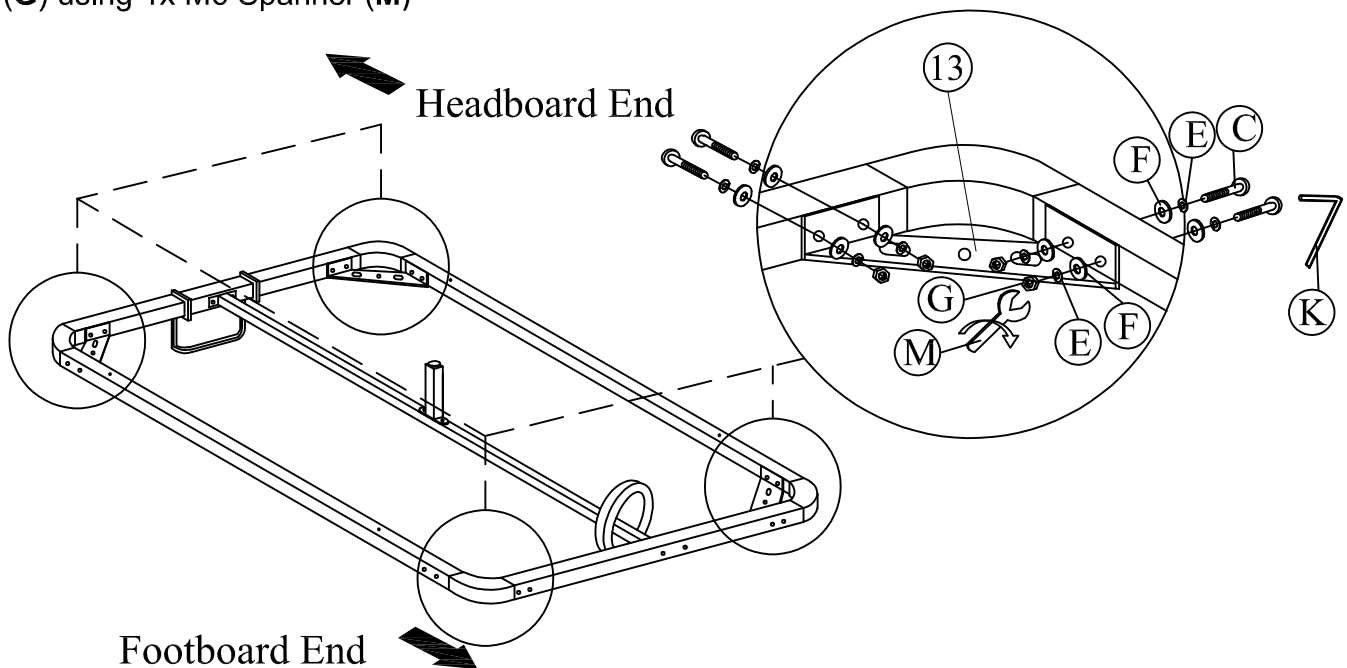
Step 12

Tighten 2x Main Frame (Front/End) (10) to 1x Center Rail (12) using 4x JCBB M8 x 50mm (D), 4x M8 Spring Washer Black (H) and 4x M8 Flat Washer Black (I) use 1x Allen Key (L). Then tighten it with 4x M8 Hex Nut (J), 4x M8 Spring Washer Black (H) and 4x M8 Flat Washer Black (I) use 1x M8 Spanner (N).



Step 13

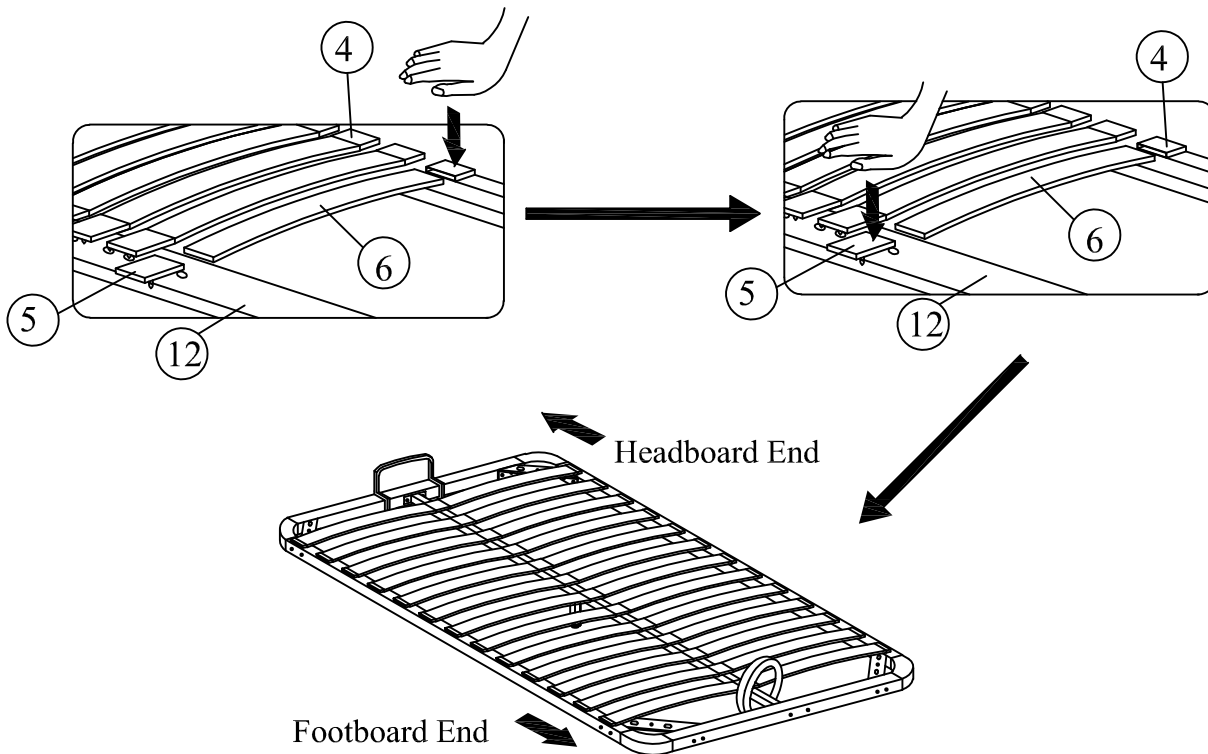
Tighten 4x Metal Corner Bracket (13) to 2x Main Frame (Front/End) (10), 2x Main Frame Side (11) using 16x JCBC M6 x 50mm (C), 16x M6 Spring Washer (E), 16x M6 Flat Washer (F) using 1x Allen Key M4 (K). After that attach 16x M6 Spring Washer (E), 16x M6 Flat Washer (F) then insert 16x M6 Hex Nut (G) using 1x M6 Spanner (M).



DO NOT use any power tools as this may damage the frame and will invalidate any claim.

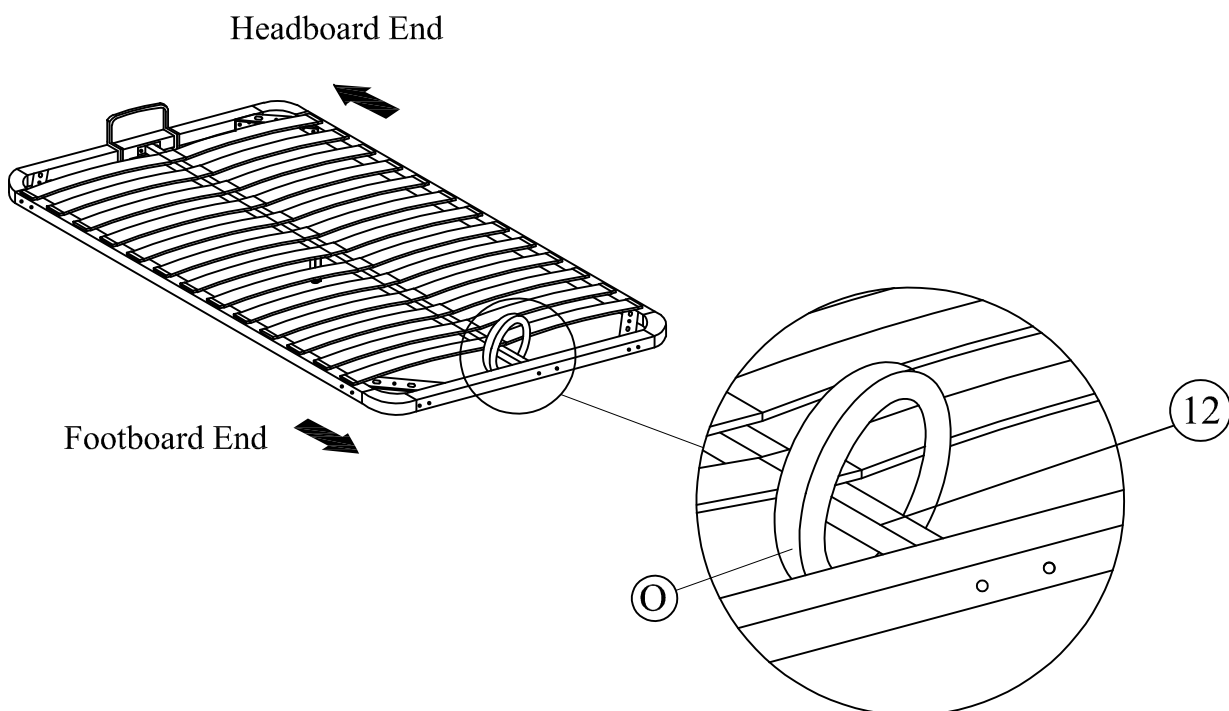
Step 14

Assemble the 26x Slats (6), 26x End Holder (4), 13x Middle Holder (5) to 2x Main Frame Side (11) and 1x Center Rail (12).



Step 15

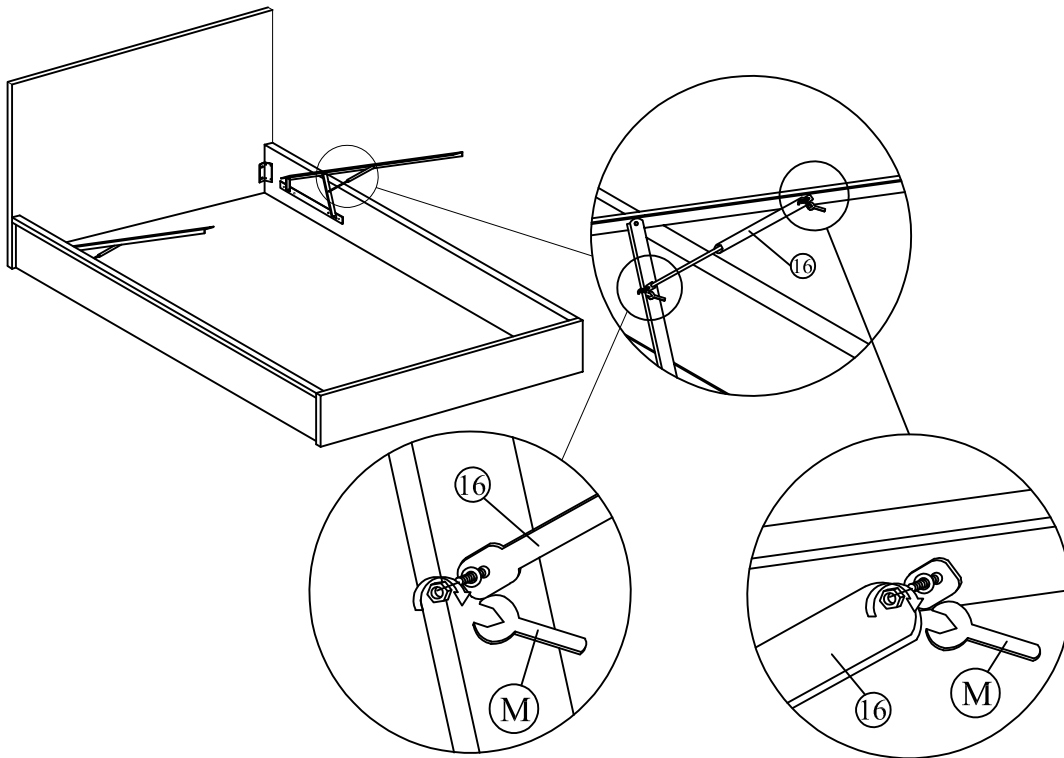
Make Sure 1x Frame Lifter (O) on footboard end.



DO NOT use any power tools as this may damage the frame and will invalidate any claim.

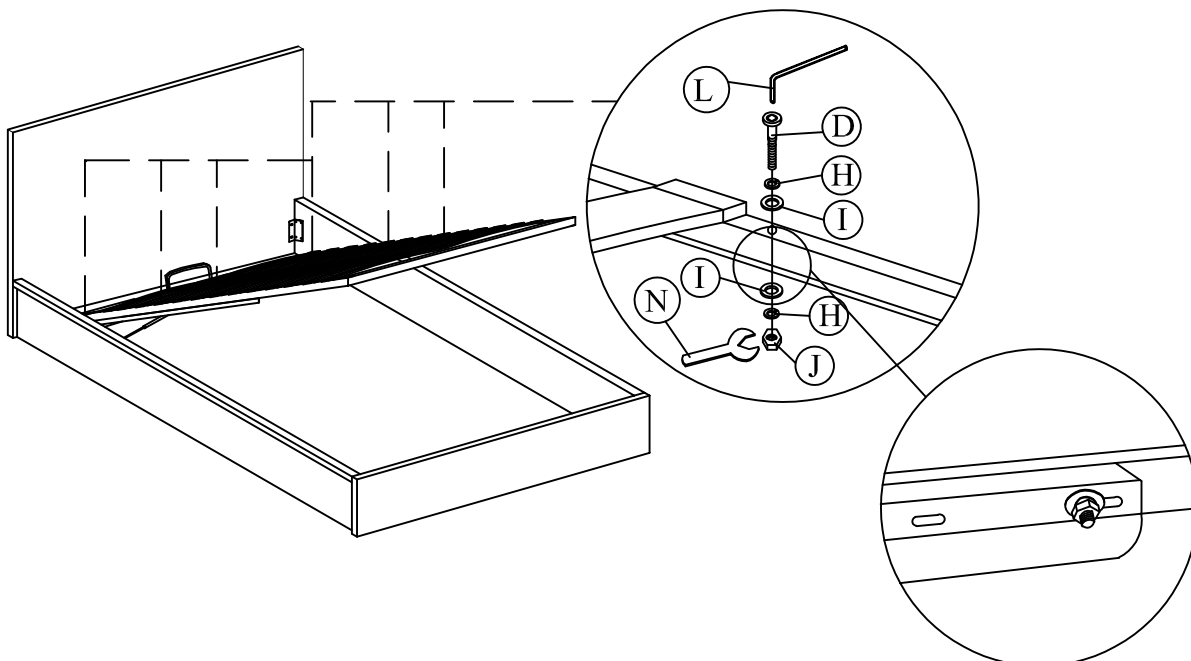
Step 16

Assemble the 2x Gas Spring (16) to 2x Pump Mounting Bracket (7) using 1x M6 Spanner (M).



Step 17

Tighten the frame to 2x Pump Mounting Bracket (7) using 6x JCBB M8 x 50mm (D), 6x M8 Spring Washer Black (H) and 6x M8 Flat Washer Black (I). Then tighten it 6x with M8 Hex Nut (J), 6x M8 Spring Washer Black (H) and 6x M8 Flat Washer Black (I) use 1x M8 Spanner (N).

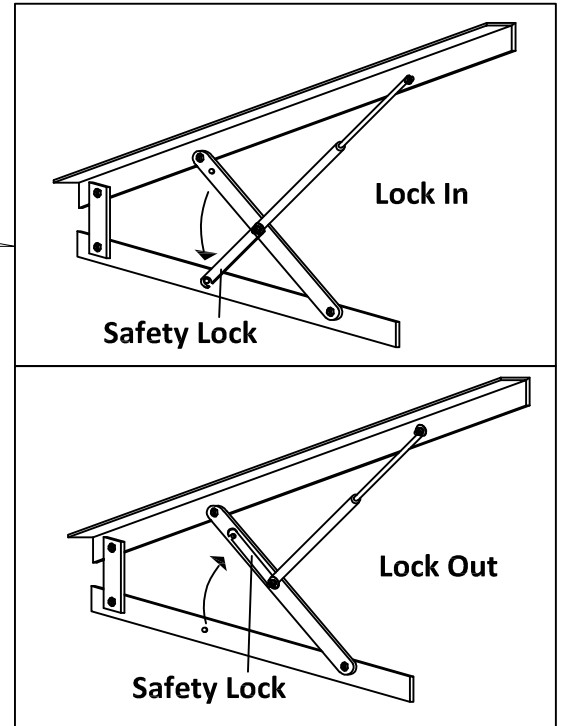
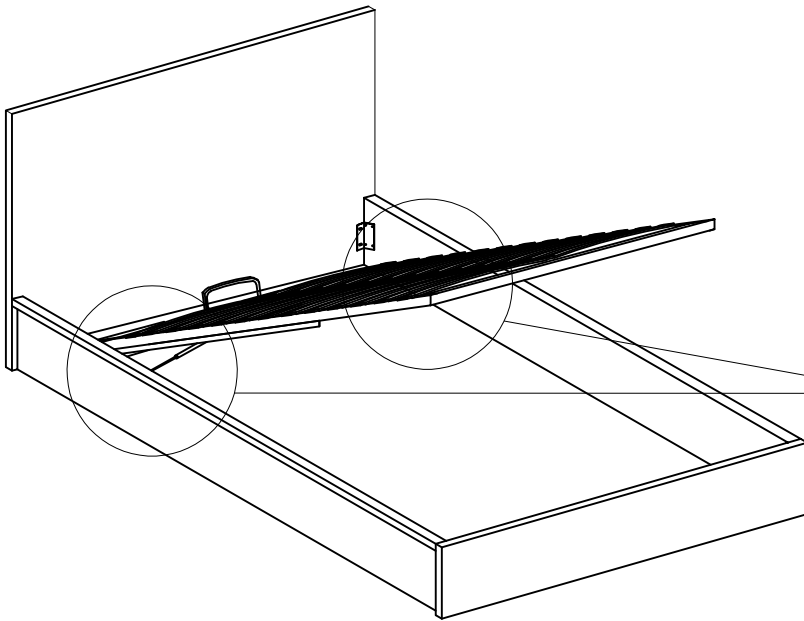


Caution: Tighten the screw at the position of the long hole as shown!

DO NOT use any power tools as this may damage the frame and will invalidate any claim.

Step 18

Please use the safety lock for safety purpose.



DO NOT use any power tools as this may damage the frame and will invalidate any claim.

Additional Information:

- Caution. This bed uses a pressurised mechanism.
- Use caution when operating - Always use two hands at arm's length, and only where illustrated on the product.
- You must ensure the mattress is on the bed frame before lifting the mechanism - Failure to do so may result in injury.
- Please ensure Children and pets are kept away from the bed when operating the bed mechanism.
- If removing the mattress, make sure that the frame is secured as it could flip open.
- Only use the storage compartment when the frame is fully raised in the 'up' position.
- No children and animals are left unattended when the frame is in the 'up' position.
- Do not remain on the bed whilst the lifting mechanism is in use.
- Beware of Entrapment - Keep both hands clear of mechanism when operating the mechanism.
- When lifting the bed remove all bedding - Except the fitted sheet.

