



Birlea

Suppliers of inspiration

Assembly Instructions

Thank you for
purchasing a
Birlea product.

For a chance to win a *Love 2 Shop* voucher simply post a picture of your new product on your preferred social channels tagging Birlea Furniture and using the hashtag **#ShareYourStyle** and **#Birlea**. One winner will be selected at random each month.

To view our full terms and conditions please visit our website. www.birlea.com

Are you happy with your purchase?

Yes: That's great, we would love to hear more from you. Please leave us a review on our social media channels or Trustpilot. Your feedback will be greatly appreciated.

No: If for any reason there is something missing, indifferent or incorrect with your order, please contact the retailer you purchased the item from. We will work with the retailer to resolve your issue as quickly as possible.



www.birlea.com

ASSEMBLY INSTRUCTIONS

HOUSE BED

IMPORTANT: READ THESE INSTRUCTIONS CAREFULLY BEFORE ASSEMBLING OR USING THIS PRODUCT.

PLEASE KEEP THESE INSTRUCTIONS FOR FUTURE REFERENCE.

HEALTH & SAFETY:

DO NOT jump on this bed frame.

DO NOT use this bed frame if any parts are missing, damaged or worn.

DO NOT use this bed frame unless all fixings are secured.

Please keep small parts out of reach of children.

Always use on a level, even surface.

WARNING: If this bed is placed on a non-carpeted floor you must place some protection under all legs to stop the bed frame from moving. If this is not adhered to there is no guarantee if the bed frame collapses.

CARE & MAINTENANCE:

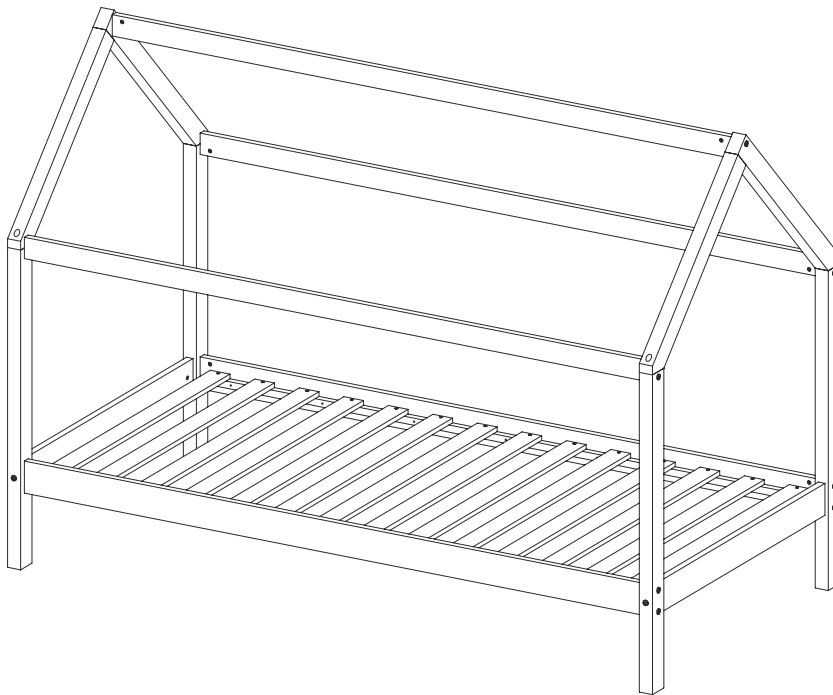
Assemble in the room of use.

Periodically check all screws & fixings to ensure they are secure.

DO NOT push the bed frame as this will damage the legs.

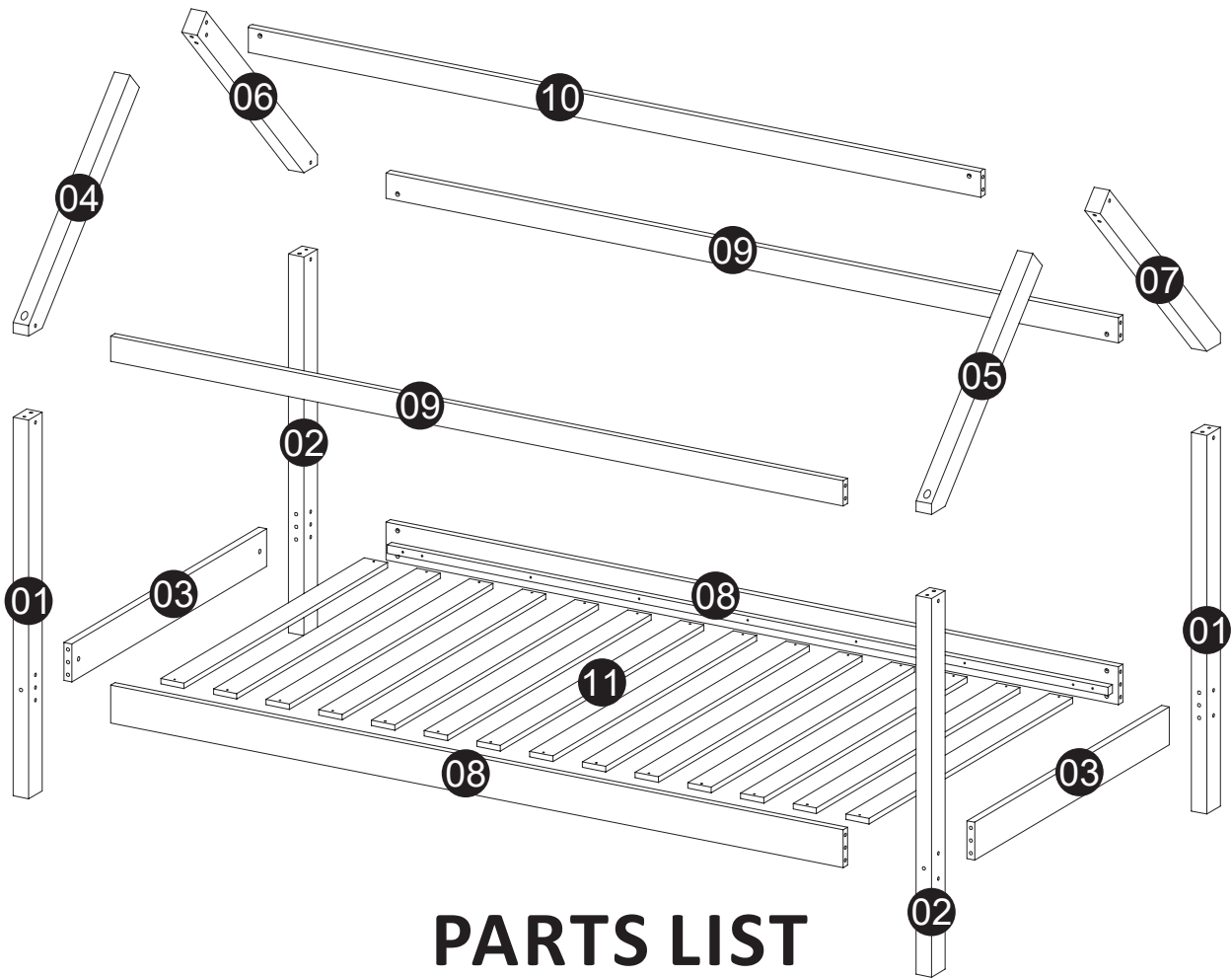
Always lift the bed with two people to reposition.

Keep any sharp objects away from the frame.



Birlea









Suppliers of inspiration



PARTS LIST

01	Left front & Right rear corner panels	2	06	Back left roof panel	1
02	Right front & Left rear corner panels	2	07	Back right roof panel	1
03	Support rails	2	08	Side rail	2
04	Front left roof panel	1	09	Cross bars	2
05	Front right roof panel	1	10	Cross bars	1
			11	Slats	14

HARDWARE

A	 M6x80mm	14	E	 Φ 6x100mm	2
B	 M6x100mm	4	F	 Φ 6x60mm	4
C	 Φ 8x30mm	24	G	 Φ 4x30mm	28
D		18	H		1

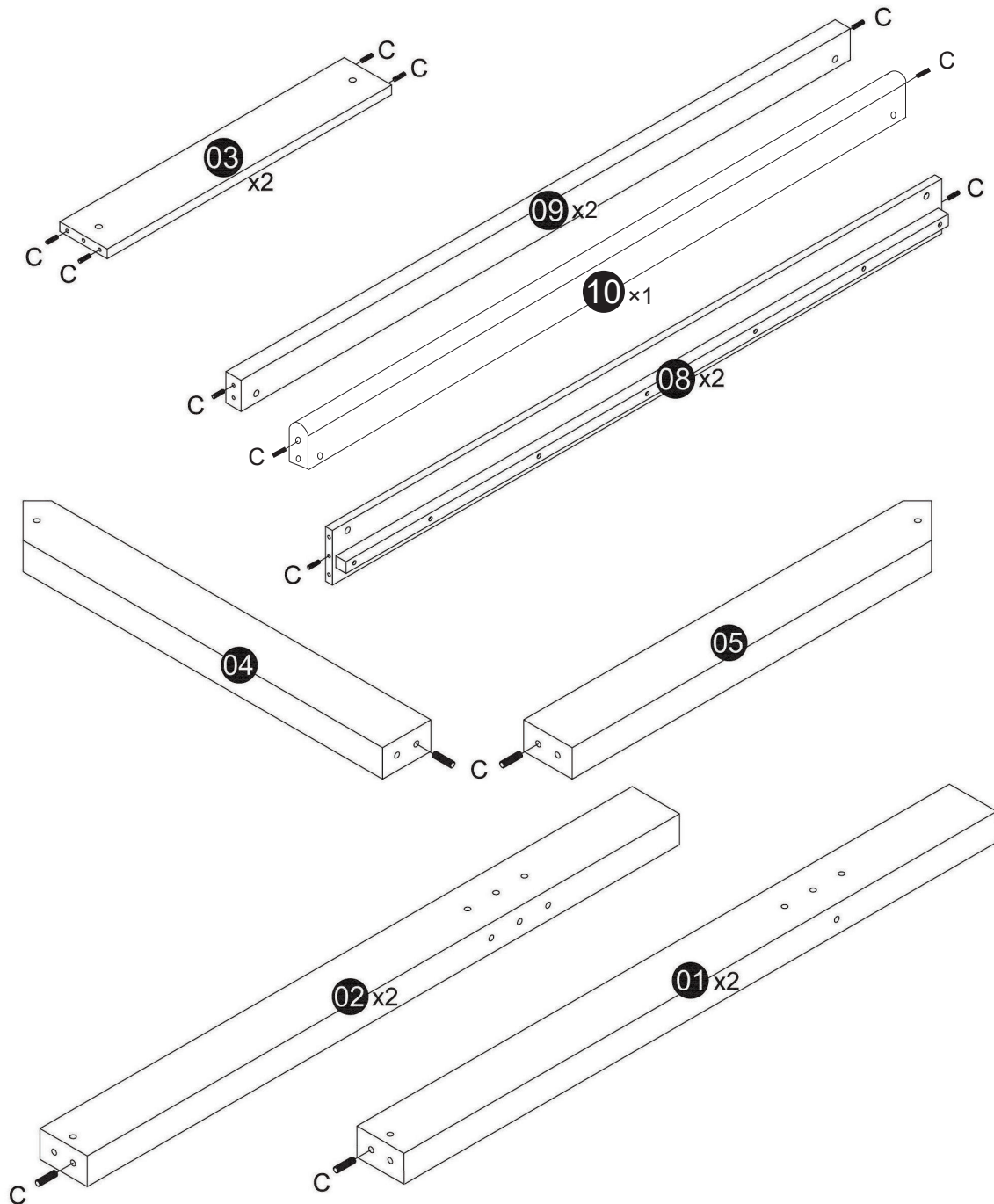



Birlea

Suppliers of inspiration

STEP 1

Insert hardware part (C) into the Left front & Right rear corner panels (1) the Right front & Left rear corner panels (2), support rails (3), Front left roof panel (4), Front right roof panel (5), Side rail (8) and Cross bars (9)(10).



C		Φ8x30mm	24
---	---	---------	----

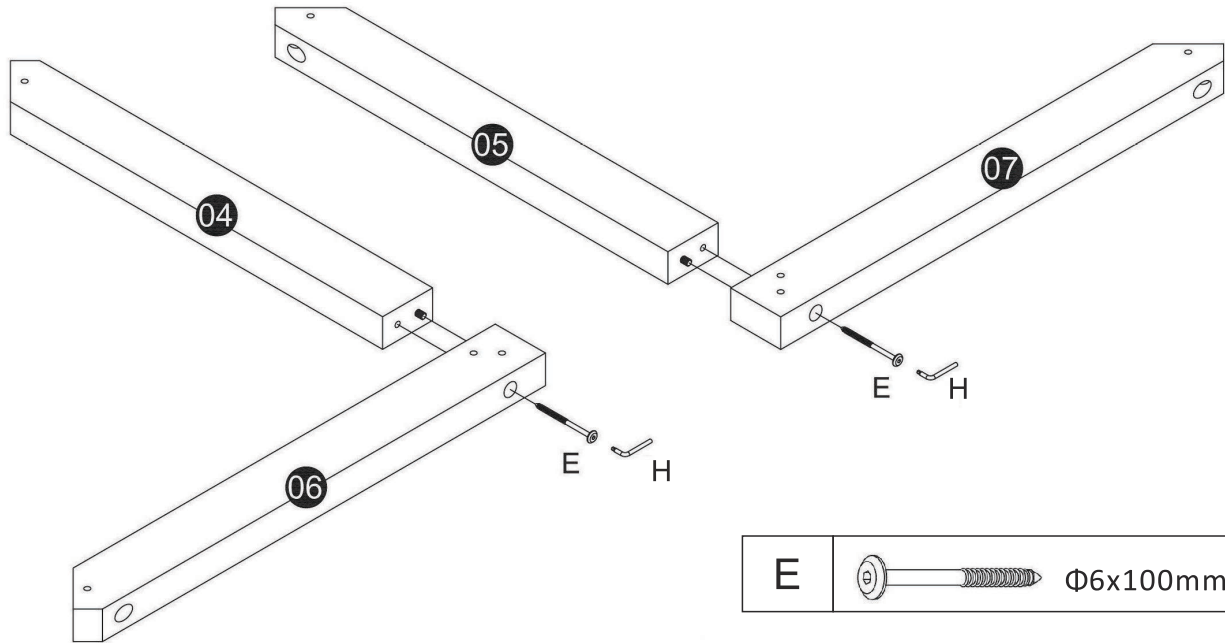


Birlea

Suppliers of inspiration

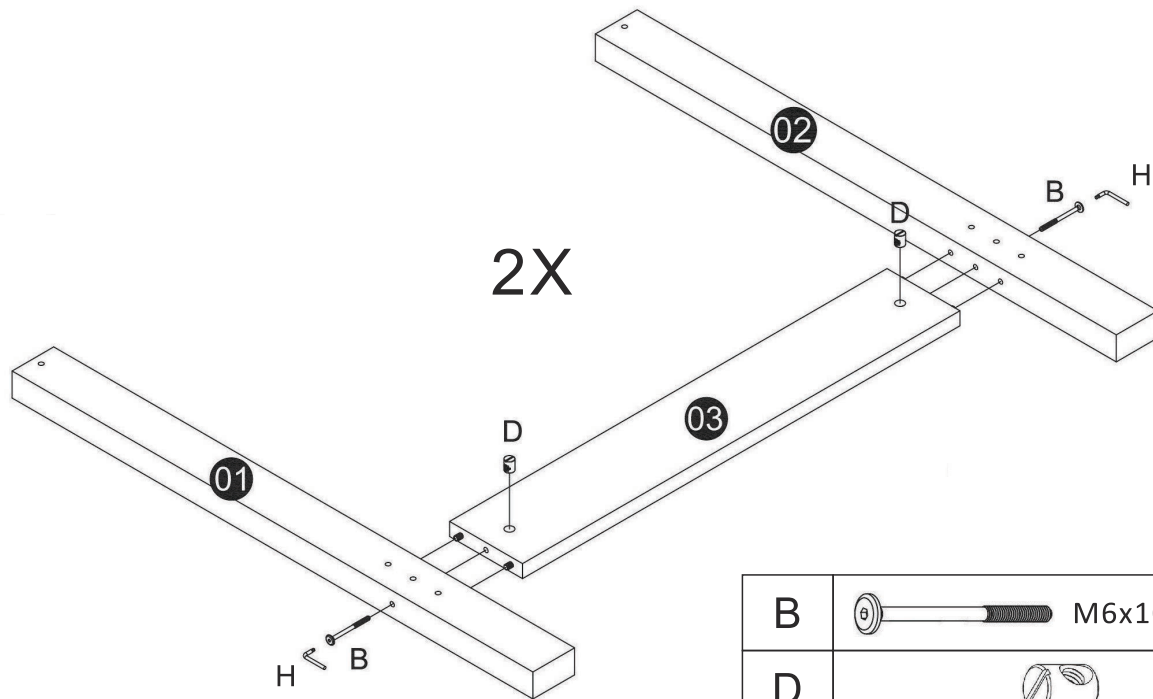
STEP 2

Attach the Front left roof panel (4) and Back left roof panel (6) using hardware parts (E) and (H). then attach the Front right roof panel (5) and Back right roof panel (7) using hardware parts (E) and (H).



STEP 3

Attach the Support rails (3) to the Left front & Right rear corner panels (1) and Right front & Left rear corner panels (2) using hardware parts (B), (D) and (H).

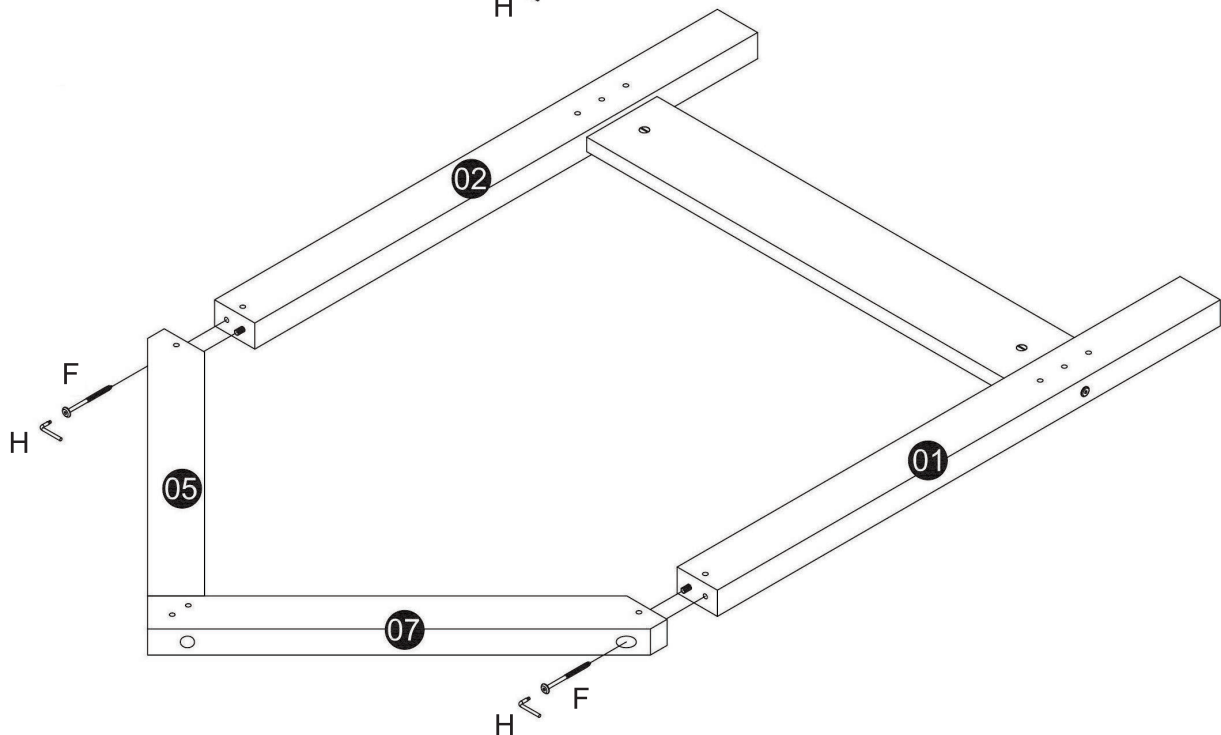
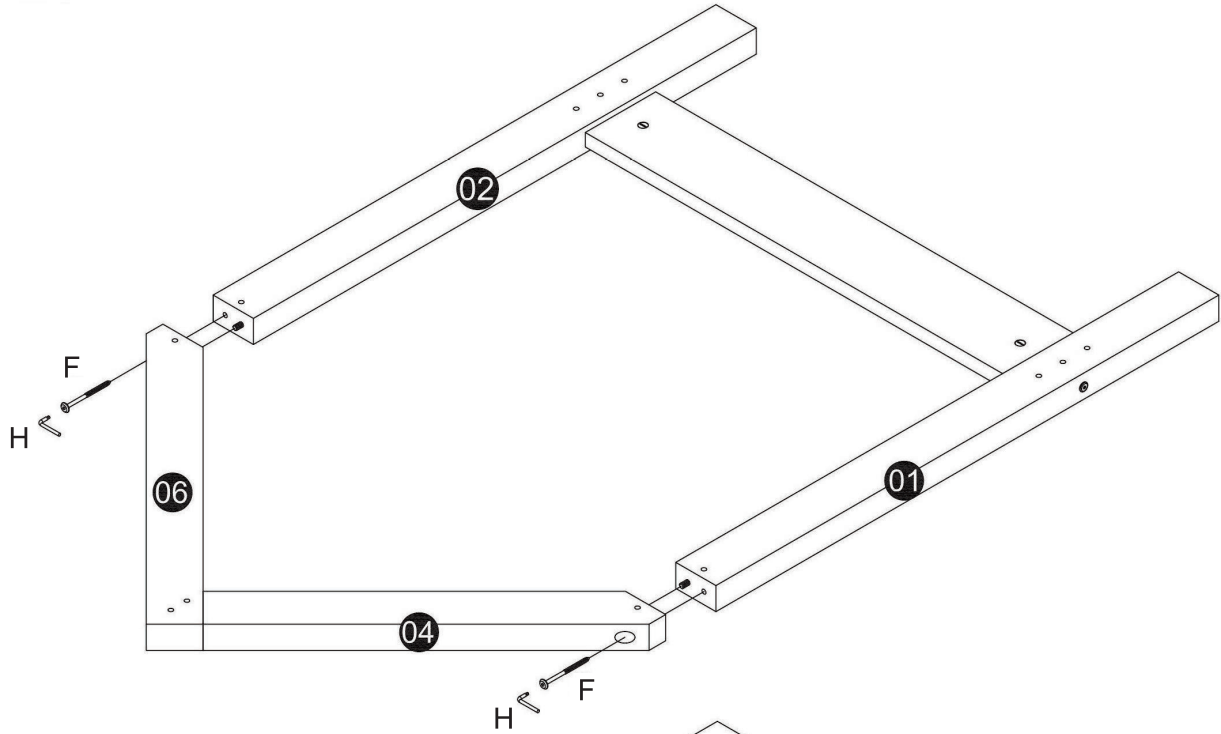


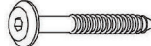
Birlea

Suppliers of inspiration

STEP 4

Attached the roof panels (4), (6), (5) and (7) to the corner panels (1) and (2) using hard-ware parts (F) and (H).



F		Φ6x60mm	4
---	---	---------	---

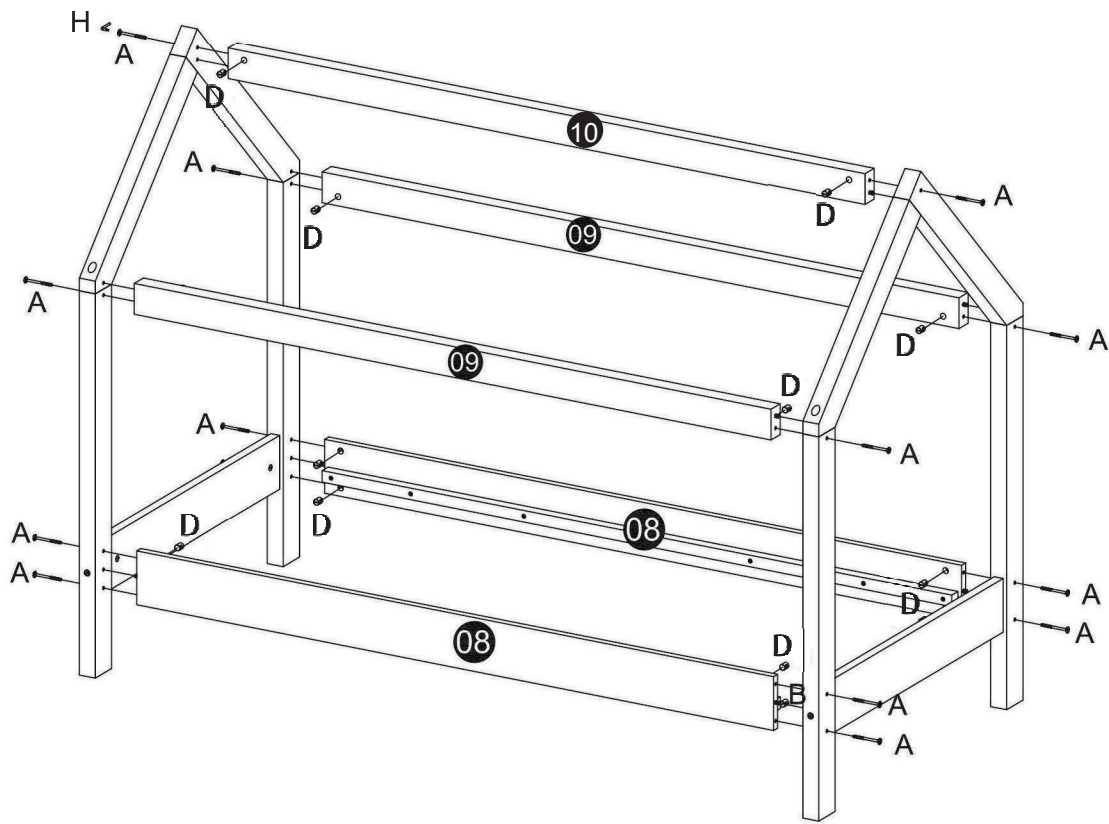




Birlea

Suppliers of inspiration

STEP 5

Attach the Side rails (8) and the Cross bars (9,10) to the assembled panels using hardware parts (A), (D) and (H).



A	 M6x80mm	14
D		14

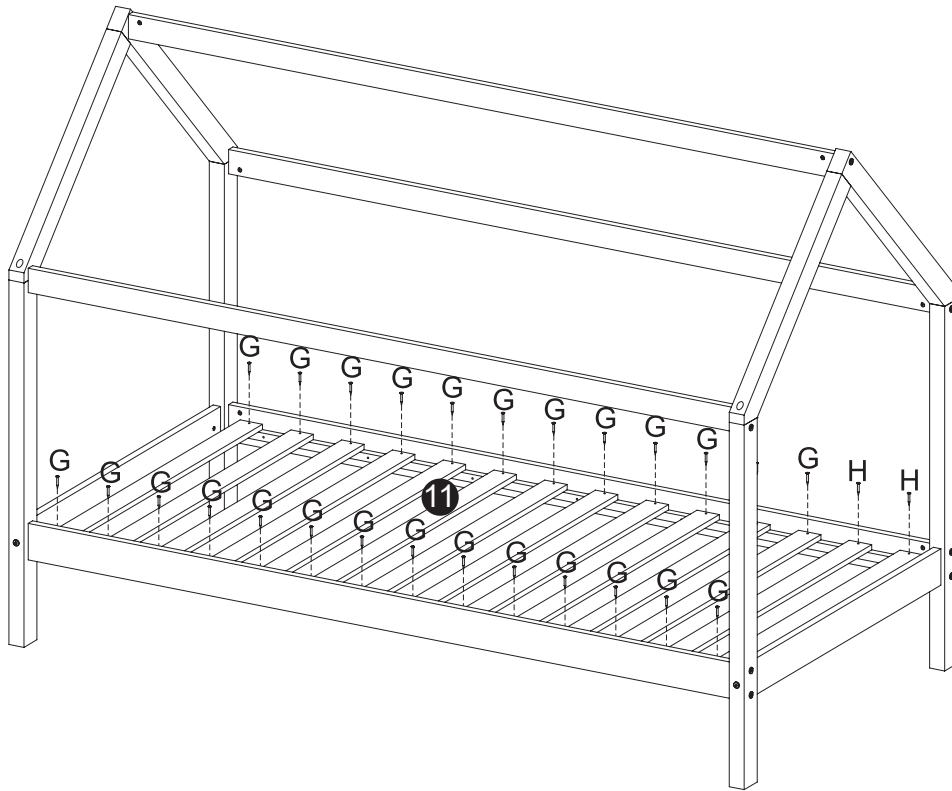


Birlea

Suppliers of inspiration

STEP 6

Attach the slats (11) by using hardware parts (G) and a screwdriver (not provided).



G		Φ4x30mm	28
---	---	---------	----

Additional Information:

- For complete product information, images and dimension diagrams please visit the website www.birlea.com
- If you have any issues with your item please contact the retailer directly you purchased it from who will be able to resolve any issues with Birlea.
- Why don't you send us photos of your assembled furniture to info@birlea.com to be shared in our #birleahome feature on Instagram.



Birlea

Suppliers of inspiration