

TETRAS 90cm BED

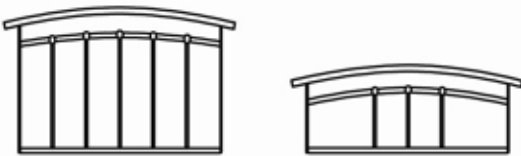


1. Please read through and follow the step-by-step instructions in the leaflet.
2. We recommend that assembly is done in the room intended for use and it is assembled by two people.
3. Please do not discard any packaging before you have checked all the parts and fittings are included.
4. Assemble this product on a flat and clean surface to avoid scratching.
5. Do not tighten any bolts before all the parts have been assembled loosely. Product and/or fittings might be damaged by over tightening screws or bolts. Beware of cross-threading the screws or nuts during assembly.
6. Keep fittings away from childrens' resch.
7. Wipe clean using soft damp cloth followed by a dry cloth.
8. Do not use abrasives or cleaning peoducts which may contain ammonia or solvents.
9. Take care when handling or moving the furniture. Careless handling can damage the flooring. try to lift rather than drag.

SAFETY WARNING: Do not stand on the bedbase without a mattress on it.

COMPONENT PARTS

- [1]-Headend x 1pc [2]-Footend x 1pc



- [3]- Headend Wood Post x 2pcs



- [4]- Footend Wood Post x 2pcs



- [5]- Siderail x 2pcs



- [6]- Wooden Slat x 12pcs



- [7]- Across Bar x 1pc



- [8]- Side Plastic Holder x 24pcs



FITTINGS

- [A] - M6x20mm bolts x 16pcs



- [B] - M6x50mm bolts x 2pcs



- [C] - M6 Hex Nuts x 2pcs



- [D] - M6 Allen Key x 1pc



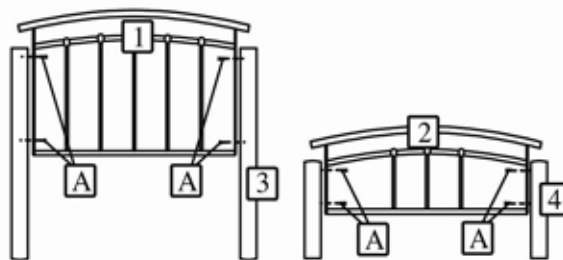
- [E] - Spinner x 1pc



ASSEMBLY INSTRUCTIONS

STEP 1 : FRONT VIEW

Attach the Headend [1] and Footend [2] to the Headend Wood Post [3] and Footend Wood Post [4] to form headend and footend.

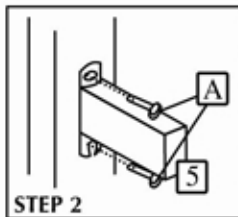
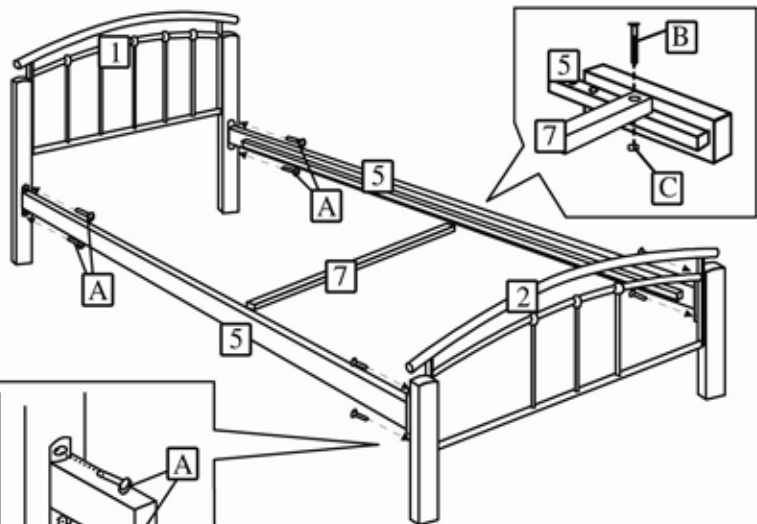


STEP 2 :

Attach the Siderail [5] to the Headend and Footend.

STEP 3 :

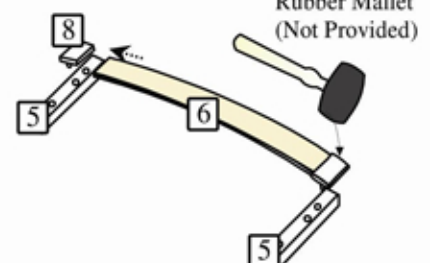
Attach the Across Bar [7] to the Siderails on either holes drilled.



STEP 2

STEP 4 :

Insert the Bend Wood Slat [6] into the Plastic Holders [8] as shown. Gently tap the Plastic Holders into the holes.



Rubber Mallet
(Not Provided)

Please check and tighten all bolts after assembling.


Remember to re-check and tighten screws and bolts periodically or when necessary.

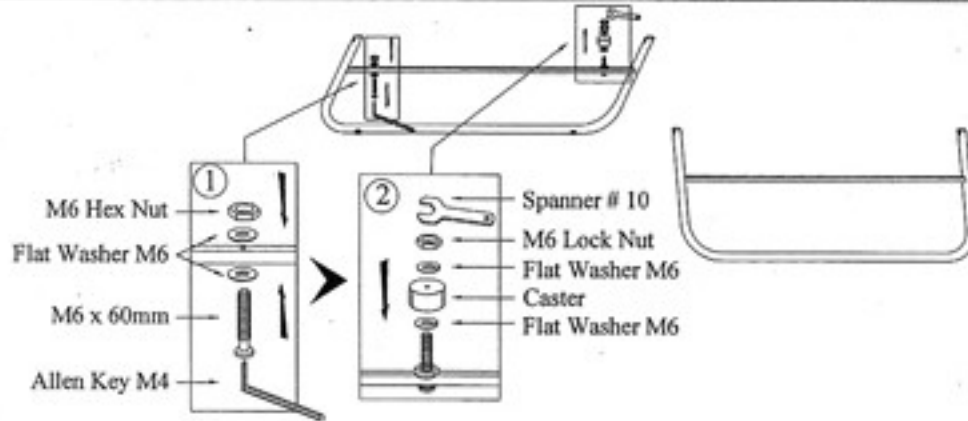
MODEL :GUEST BED
 SIZE :SINGLE

METAL 75cm to 90cm GUEST BED: ASSEMBLY INSTRUCTIONS

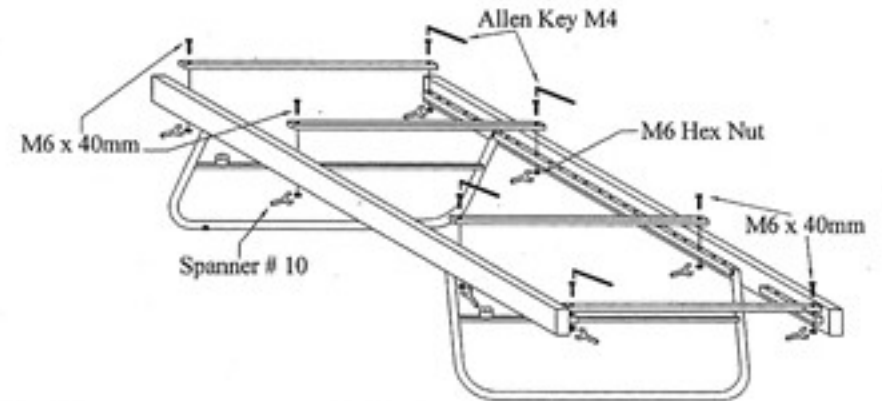
Part List

Hardware

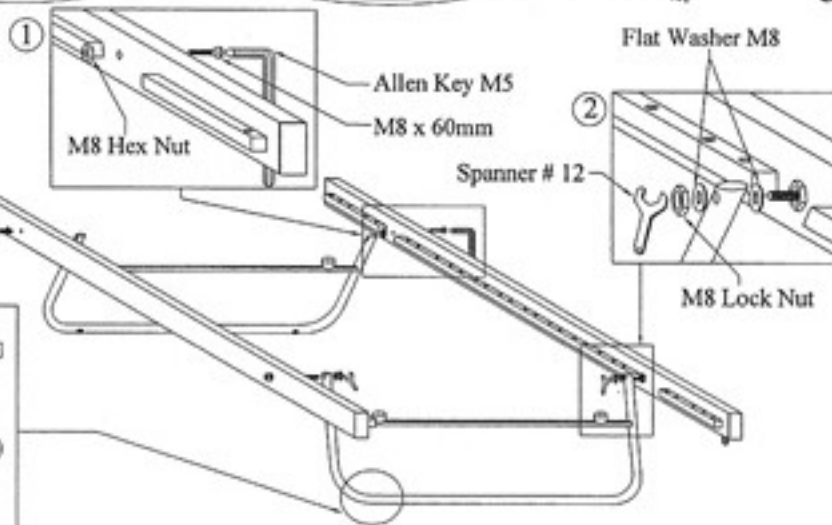
METAL LEG	SIDE RAIL	CROSS RAIL	CASTER	SPRUNG WOOD	SINGLE CONNECTOR	M8 X 60mm	M6 X 60mm	M6 X 40mm	M6 HEX NUT	M8 LOCK NUT	M6 FLAT WASHER	M8 HEX NUT	M8 LOCK NUT	M6 FLAT WASHER	ALLEN KEY M4	ALLEN KEY M5	SPANNER # 10	SPANNER # 12
																		
2 pcs	2 pcs	4 pcs	4 pcs	12 pcs	24 pcs	4 pcs	4 pcs	8 pcs	12 pcs	4 pcs	16 pcs	4 pcs	4 pcs	8 pcs	1 pcs	1 pcs	1 pcs	1 pcs



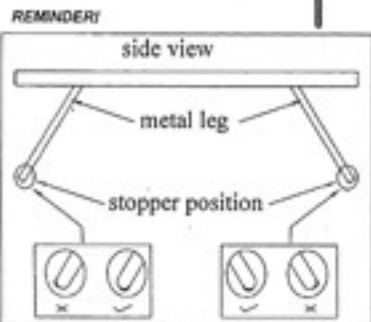
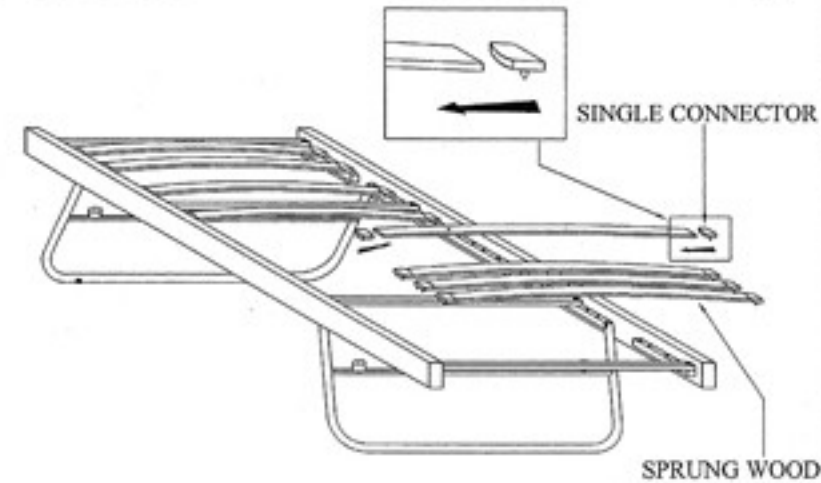
Step 1



Step 3



Step 2



CARE INSTRUCTIONS

- Wipe clean using a soft damp cloth followed by a dry cloth.
- Do not use abrasives or cleaning products which may contain ammonia or solvents.
- Take care when handling or moving the furniture. Careless handling can damage furniture, try to lift rather than drag.

REMINDER
 * Tighten all screw and complete product as shown
 * Ensure cross rails are located in the side rails before placing the mattress on the bed frame