

Birlea

Suppliers of inspiration

Assembly Instructions

Thank you for
purchasing a
Birlea product.

For a chance to win a *Love 2 Shop* voucher simply post a picture of your new product on your preferred social channels tagging Birlea Furniture and using the hashtag **#ShareYourStyle** and **#Birlea**. One winner will be selected at random each month.

To view our full terms and conditions please visit our website. www.birlea.com

Are you happy with your purchase?

Yes: That's great, we would love to hear more from you. Please leave us a review on our social media channels or Trustpilot. Your feedback will be greatly appreciated.

No: If for any reason there is something missing, indifferent or incorrect with your order, please contact the retailer you purchased the item from. We will work with the retailer to resolve your issue as quickly as possible.



www.birlea.com

ASSEMBLY INSTRUCTIONS
HAMPSTEAD 3+2 CHEST OAK

IMPORTANT : READ THESE INSTRUCTIONS CAREFULLY BEFORE ATTEMPTING TO ASSEMBLE OR USE YOUR HAMPSTEAD 3+2 CHEST OAK.

PLEASE KEEP THESE INSTRUCTIONS FOR FUTURE REFERENCE.

ASSEMBLY:

Assembly should be carried out with this item laying flat, not standing upright.

Assemble on a soft, clean surface to prevent damages.

To erase the numbers printed on the pieces, use the rubber inside the accessories pack.

HEALTH & SAFETY:

DO NOT use this product if any parts are missing, damaged or worn.

DO NOT use this product unless all fixings are secured.

Always use on a level, even surface.

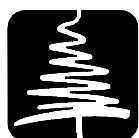
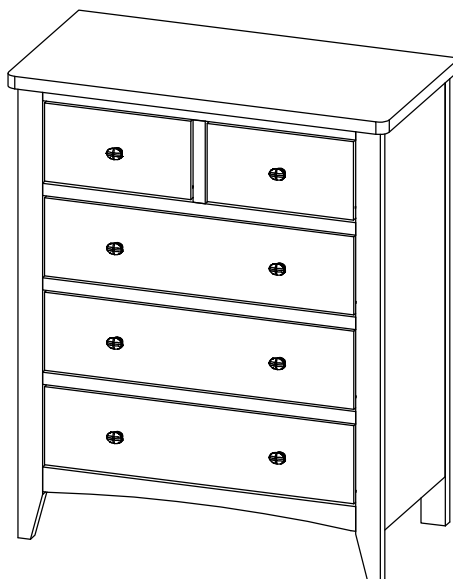
CARE & MAINTENANCE:

Periodically check all screws & fixings to ensure they are secure.

DO NOT push this product as this will cause damage.

Always lift this product with two people to repositions.

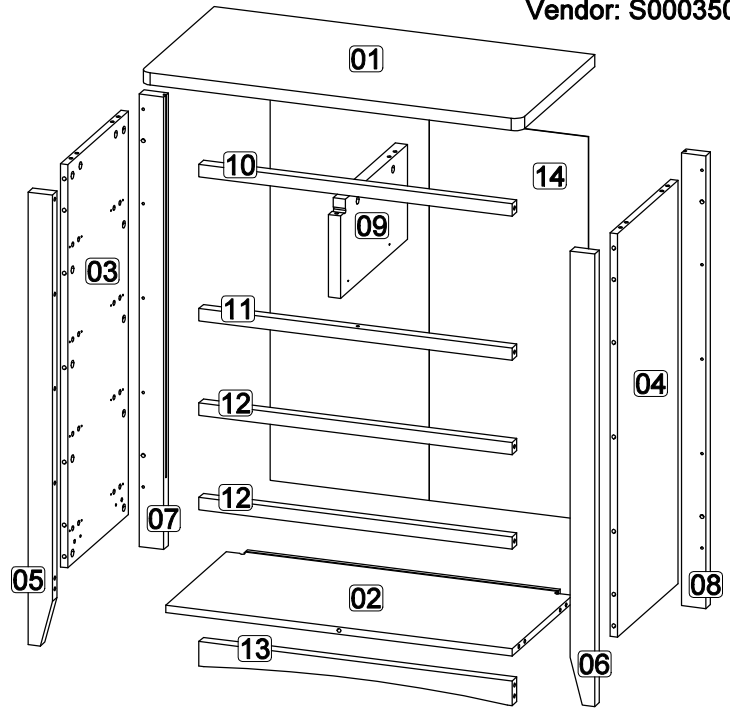
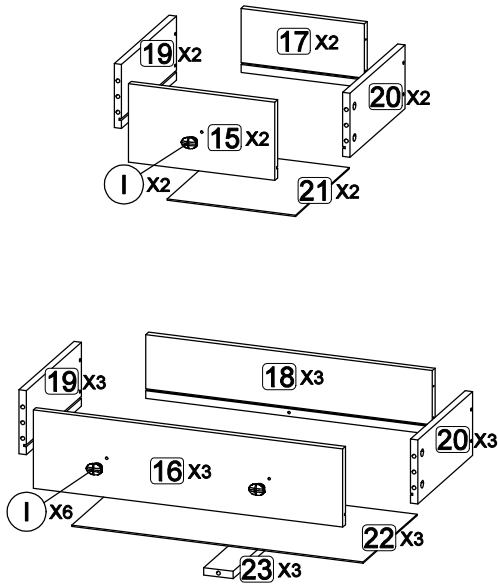
Keep any sharp objects away from this product.



Birlea














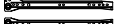





Suppliers of inspiration

www.birlea.com

**Parts List**

Part	Description	Box	Qty
01	Top panel	1	1
02	Bottom panel	1	1
03	Side panel (Left)	2	1
04	Side panel (Right)	2	1
05	Front leg (Left)	1	1
06	Front leg (Right)	1	1
07	Back leg (Left)	1	1
08	Back leg (Right)	1	1
09	Center panel	1	1
10	Front bar (1)	1	1
11	Front bar (2)	1	1
12	Front bar (3)	1	2
13	Leg panel	1	1
14	Back panel	2	1
15	Drawer front (Up)	2	2
16	Drawer front (Down)	2	3
17	Drawer back (Up)	1	2
18	Drawer back (Down)	1	3
19	Drawer side (Left)	1	5
20	Drawer side (Right)	1	5
21	Drawer bottom (Up)	2	2
22	Drawer bottom (Down)	2	3
23	Drawer bone	2	3

Hardware List (BOX 1)

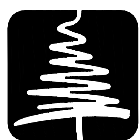
Part	Description	Qty
A1	Cam lock 	57
A2	Minifix screw 	57
A3	Plastic cap 	57
B	M8 x 30mm Wood Dowel 	41
C	M6 x 60mm CSK Cap Wood screw 	1
D	Allen key M4 	1
E	M3.5 x 16mm C.B Screw 	74
F	M4 x 20mm C.B Screw 	32
G	M4 x 38mm C.B Screw 	20
H	Handle Screw M4 x 22mm 	8
I	Handle Knob 5166028 SS 	8
J	S125 - Double Hole Fitting 	10
K	PVC Block 	16
L1	12" Drawer slide (Left / Right) 	10
L2	12" Drawer slide (Left / Right) 	10
M1	Stud 192 	8
M2	Stud 192 screw 	8
N	5/8 PVC Nail Leg 	4
O	8" x 1" PP tape 	2

** You will need a small mallet and a screwdriver for assembly.

** Some screws and wooden dowel may remain.

** Note : To secure the item to the wall we recommend you use wall plugs and screw.

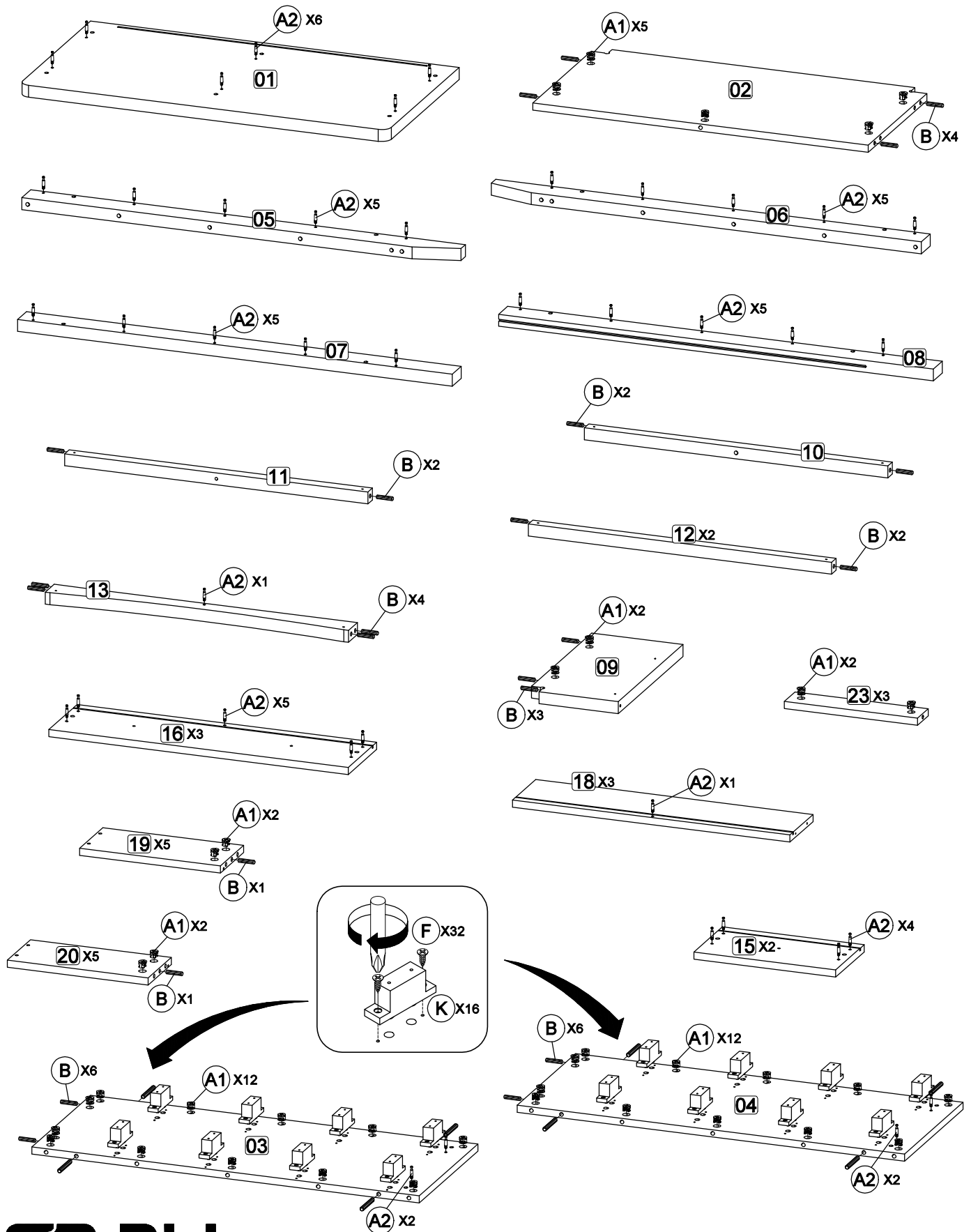
These are not provided in the fixing kit.



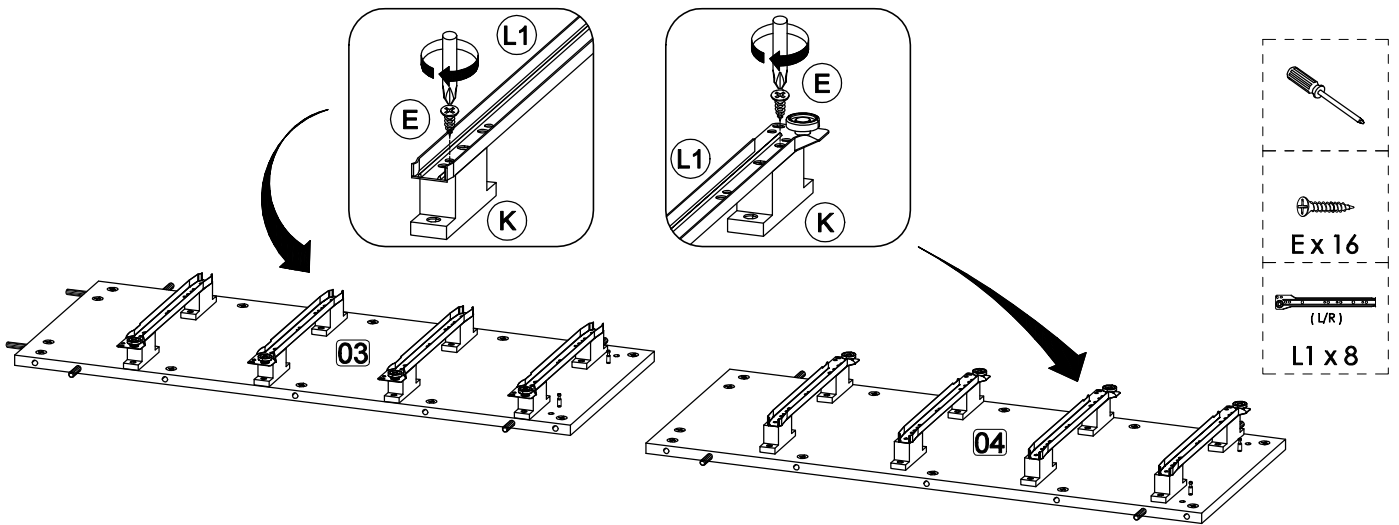
Birlea

Suppliers of inspiration

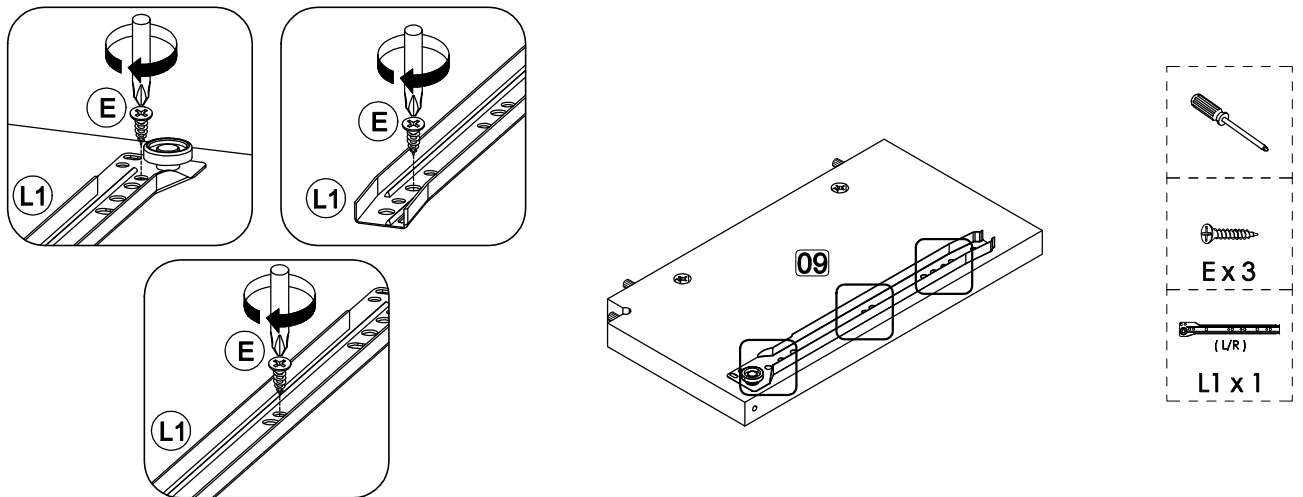
Step 1: Prepare these parts for assembly using hardware parts A1, A2, B, F and K.
DO NOT use any power tools as this may damage the frame and will invalidate any claim.



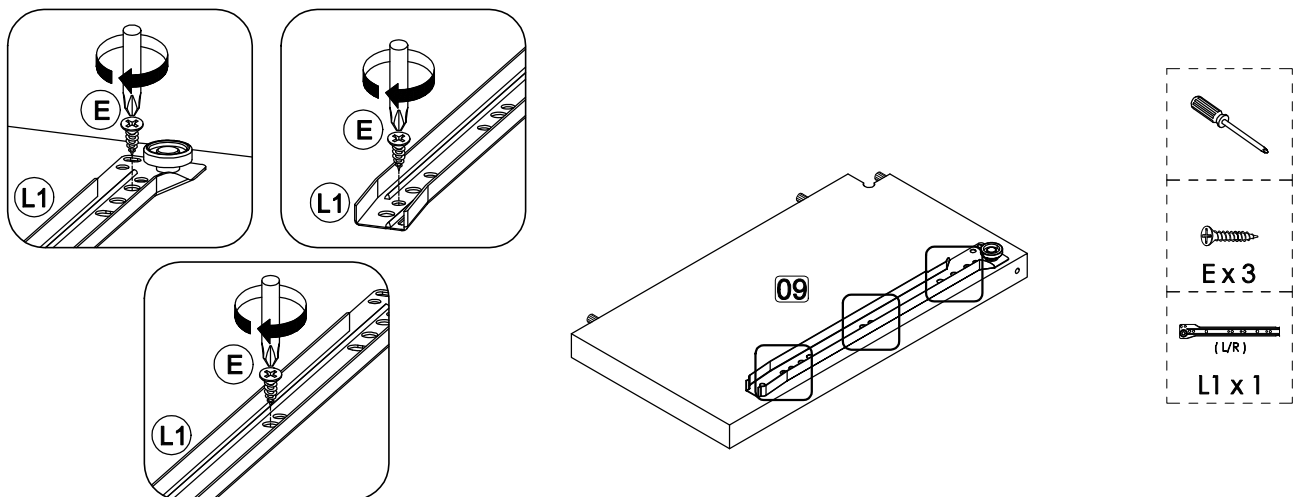
Step 2: Fix hardware L1 onto hardware K by using hardware E.
DO NOT use any power tools as this may damage the frame and will invalidate any claim.



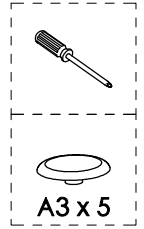
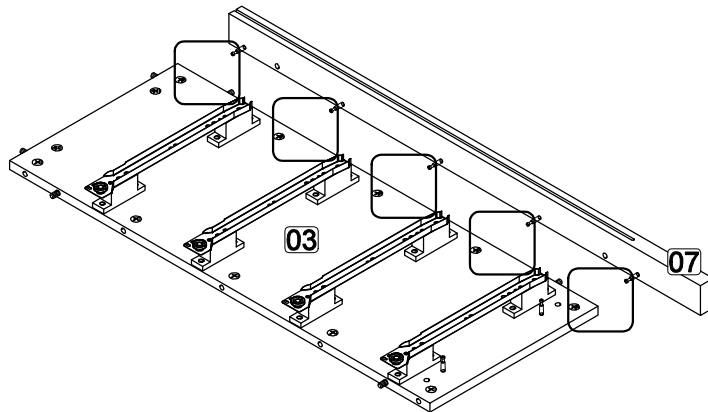
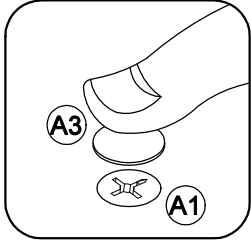
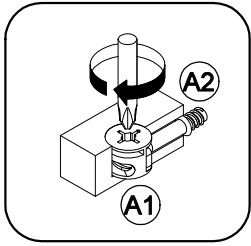
Step 3: Fix hardware L1 onto center panel (9) by using hardware E.
DO NOT use any power tools as this may damage the frame and will invalidate any claim.



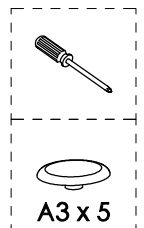
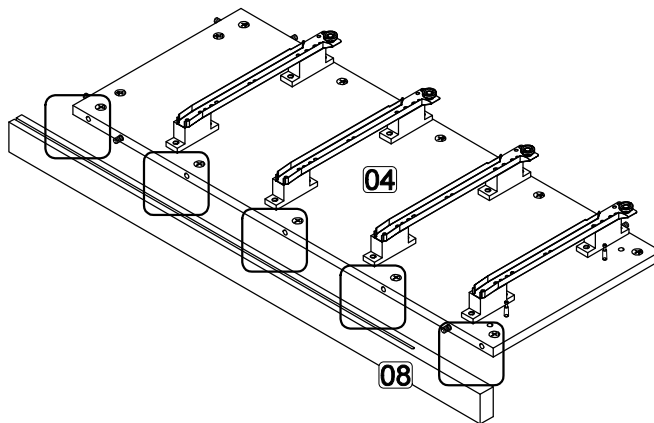
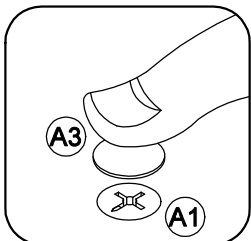
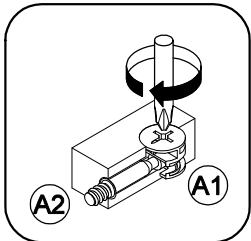
Step 4: Fix hardware L1 onto the other side of center panel (9) by using hardware E.
DO NOT use any power tools as this may damage the frame and will invalidate any claim.



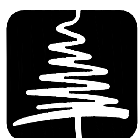
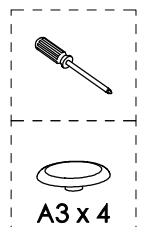
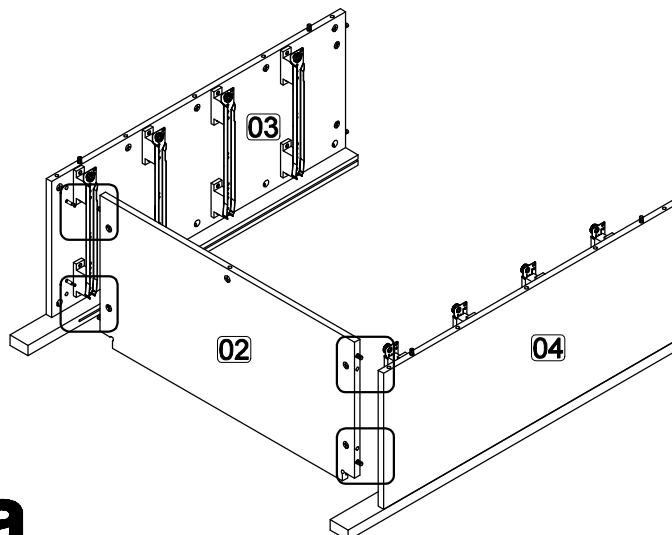
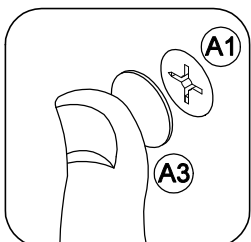
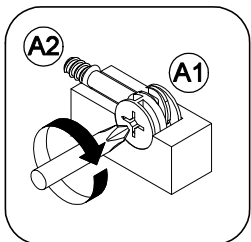
**Step 5: Attach back leg (7) to side panel (3) using hardware A1 and A2 with a screwdriver (not provided).
DO NOT use any power tools as this may damage the frame and will invalidate any claim.**



**Step 6: Attach back leg (8) to side panel (4) using hardware A1 and A2 with a screwdriver (not provided).
DO NOT use any power tools as this may damage the frame and will invalidate any claim.**



**Step 7 Attach side panel (3) and (4) to bottom panel (2) using hardware A1 and A2 with a screwdriver (not provided).
DO NOT use any power tools as this may damage the frame and will invalidate any claim.**

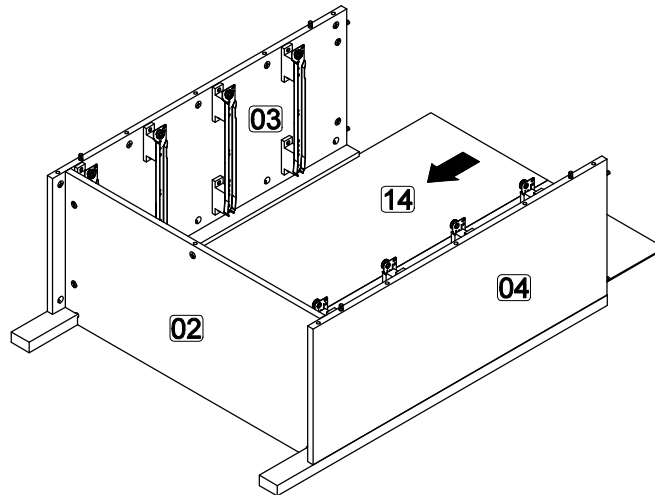


Birlea

Suppliers of inspiration

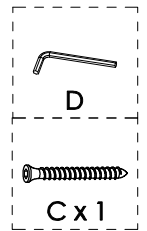
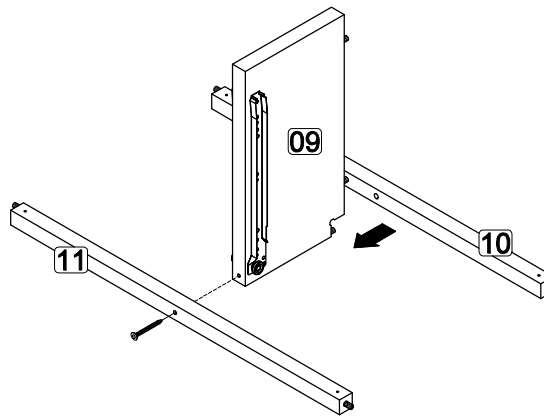
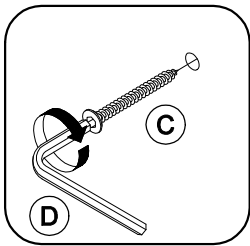
Step 8: Insert back panel (14) along the slot.

DO NOT use any power tools as this may damage the frame and will invalidate any claim.



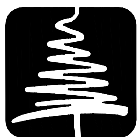
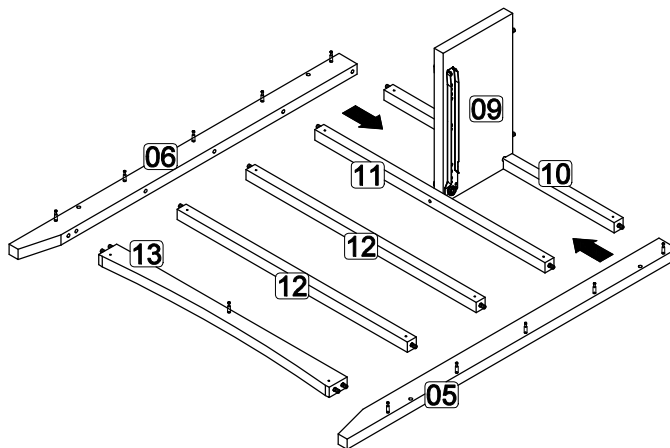
Step 9: Attach front bar (10) and (11) to center panel (9) using hardware C and D.

DO NOT use any power tools as this may damage the frame and will invalidate any claim.



Step 10: Attach front leg (5) and (6) to front bar (10), (11), (12) and leg panel (13).

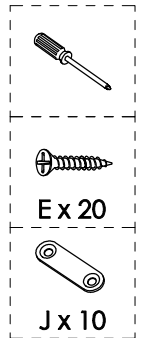
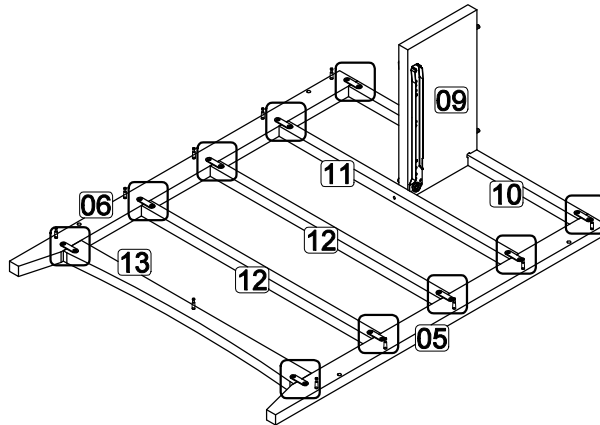
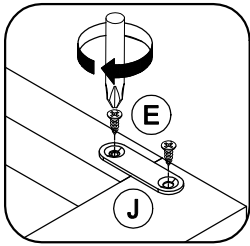
DO NOT use any power tools as this may damage the frame and will invalidate any claim.



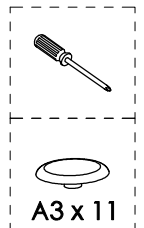
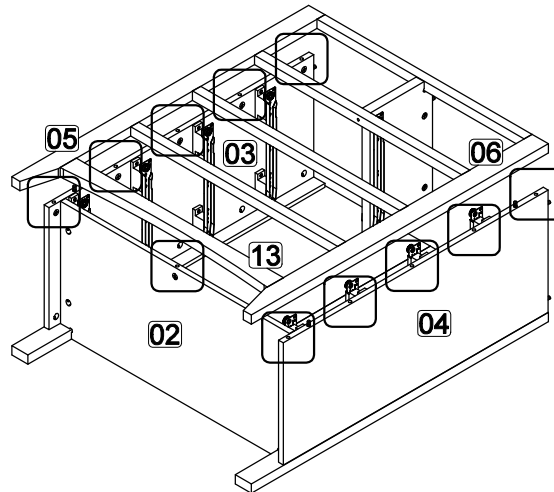
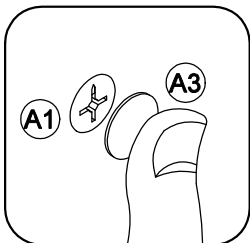
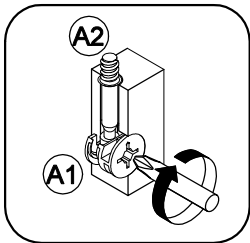
Birlea

Suppliers of inspiration

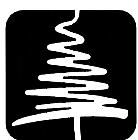
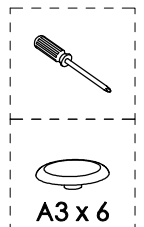
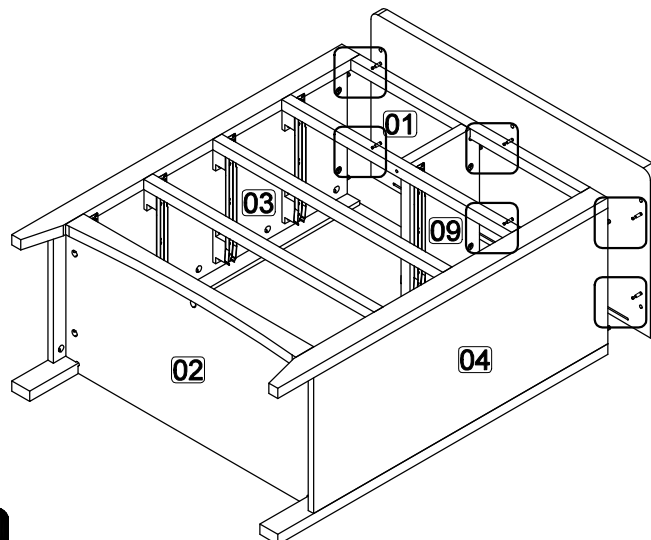
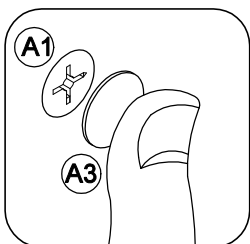
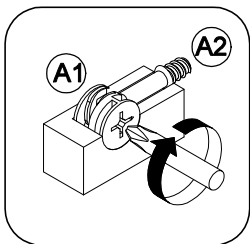
Step 11: Fix hardware J into front leg (5), (6), front bar (10), (11), (12) and leg panel (13) using hardware E with a screwdriver (not provided).
DO NOT use any power tools as this may damage the frame and will invalidate any claim.



Step 12: Attach front leg (5), (6) and leg panel (13) to bottom panel (2), side panel (3) and (4) using hardware A1 and A2 with a screwdriver (not provided).
DO NOT use any power tools as this may damage the frame and will invalidate any claim.



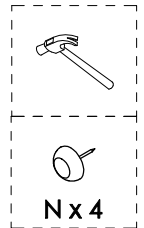
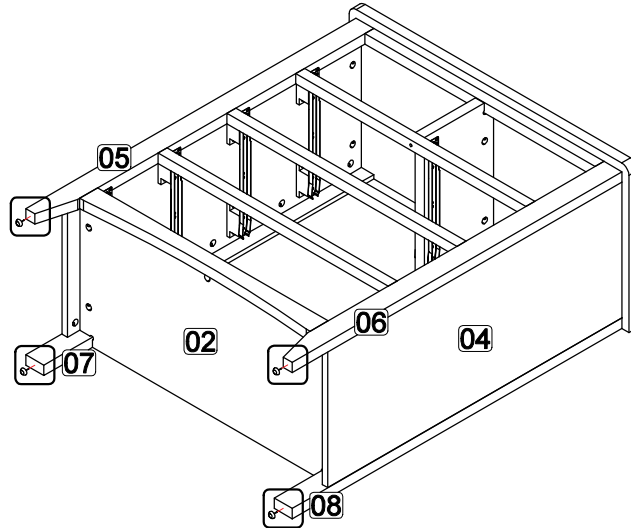
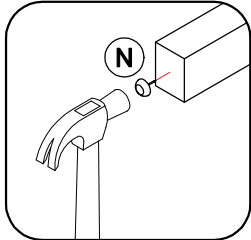
Step 13: Attach top panel (1) to side panel (3), (4) and center panel (9) using hardware A1 and A2 with a screwdriver (not provided).
DO NOT use any power tools as this may damage the frame and will invalidate any claim.



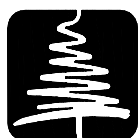
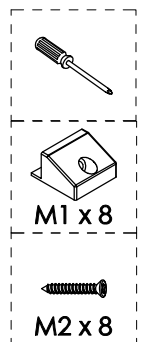
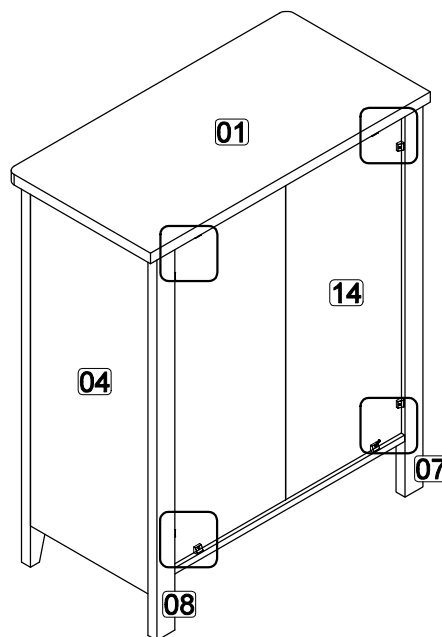
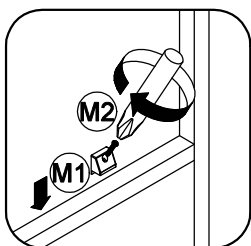
Birlea

Suppliers of inspiration

Step 14: Hit hardware N into bottom of front leg (5), (6), back leg (7) and (8).
DO NOT use any power tools as this may damage the frame and will invalidate any claim.



Step 15: Attach hardware M1 into top panel (1), bottom panel (2), back leg (7) and (8) using hardware M2 with a screwdriver (not provided).
DO NOT use any power tools as this may damage the frame and will invalidate any claim



Birlea

Suppliers of inspiration

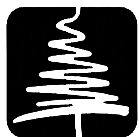
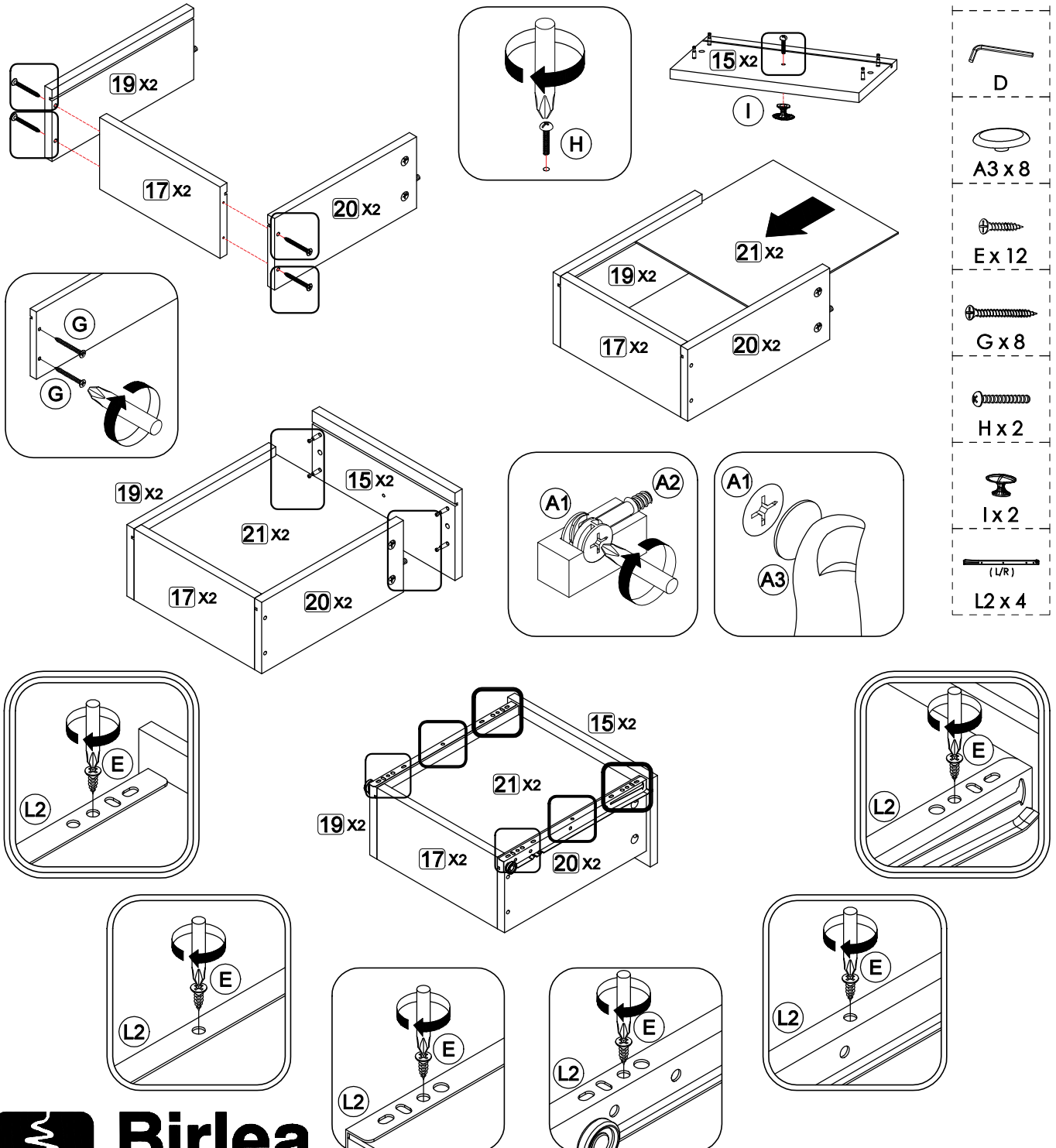
Step 16: Assemble the drawer components using hardware A3, D, E, G, H, I and L2.

In this step only show one of the drawers.

DO NOT use any power tools as this may damage the frame and will invalidate any claim.

Drawer Up

1. Fix hardware I onto panel (15) by using hardware H.
2. Attach drawer side (19) and (20) to drawer back (17) using hardware (G).
3. Slide in the drawer bottom (21).
4. Attach drawer front (15) to drawer side (19) and (20) using hardware A1 and A2 with a screwdriver (not provided).
5. Attach hardware (L2) to drawer sides (19) and (20) using hardware (E).



Birlea

Suppliers of inspiration

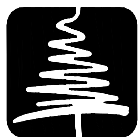
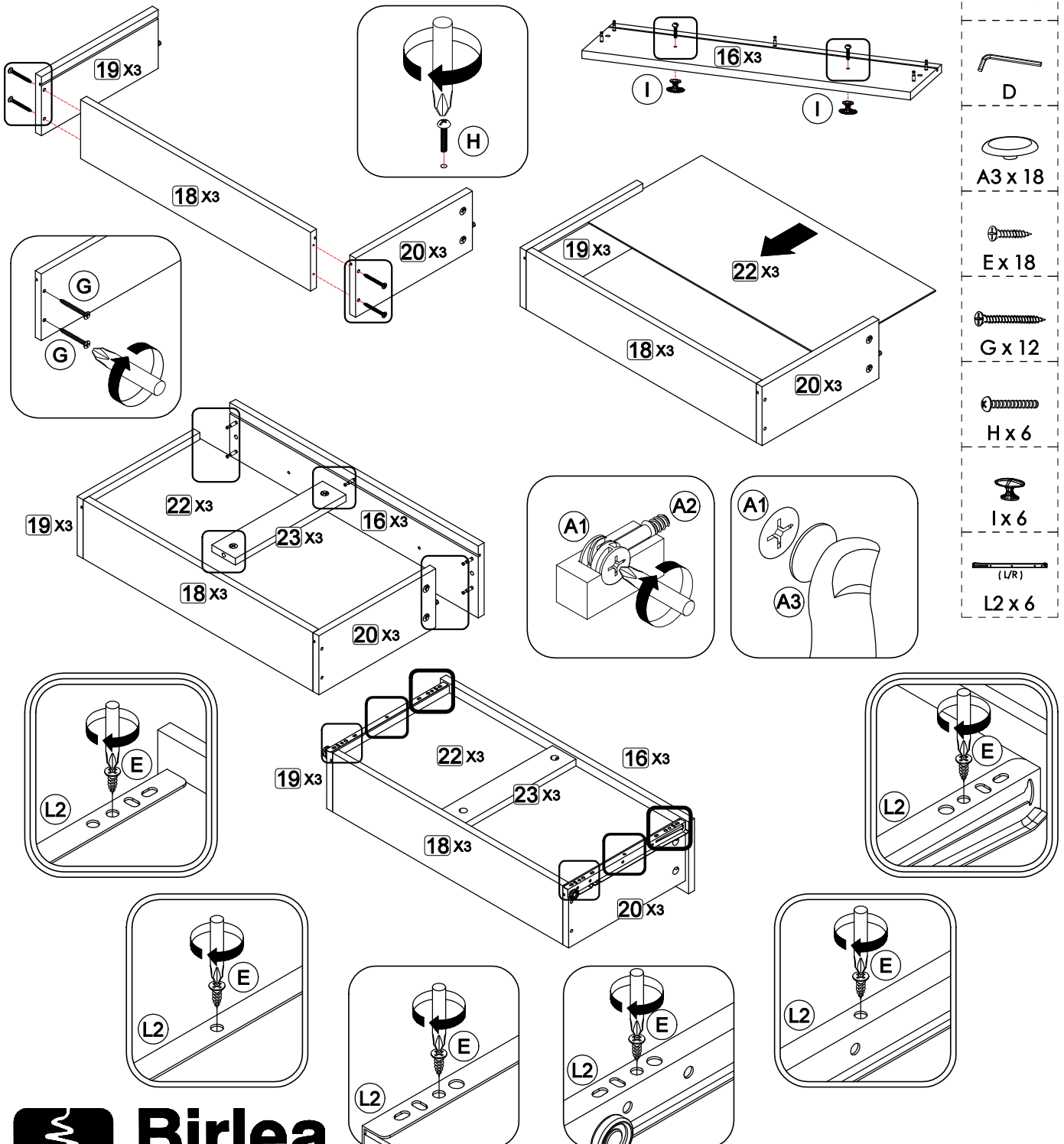
Step 17: Assemble the drawer components using hardware A3, D, E, G, H, I and L2.

In this step only show one of the drawers.

DO NOT use any power tools as this may damage the frame and will invalidate any claim.

Drawer Down

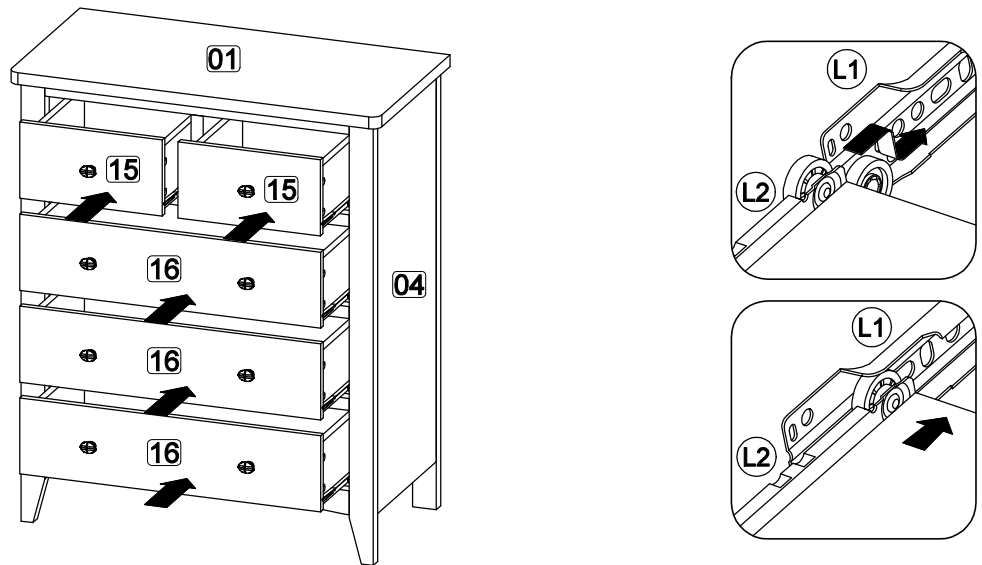
1. Fix hardware I onto panel (16) by using hardware H.
2. Attach drawer side (19) and (20) to drawer back (18) using hardware (G).
3. Slide in the drawer bottom (22).
4. Attach drawer bone (23) to drawer back (18) then attach drawer front (16) to drawer side (19), (20) and drawer bone (23) using hardware A1 and A2 with a screwdriver (not provided).
5. Attach hardware (L2) to drawer sides (19) and (20) using hardware (E).



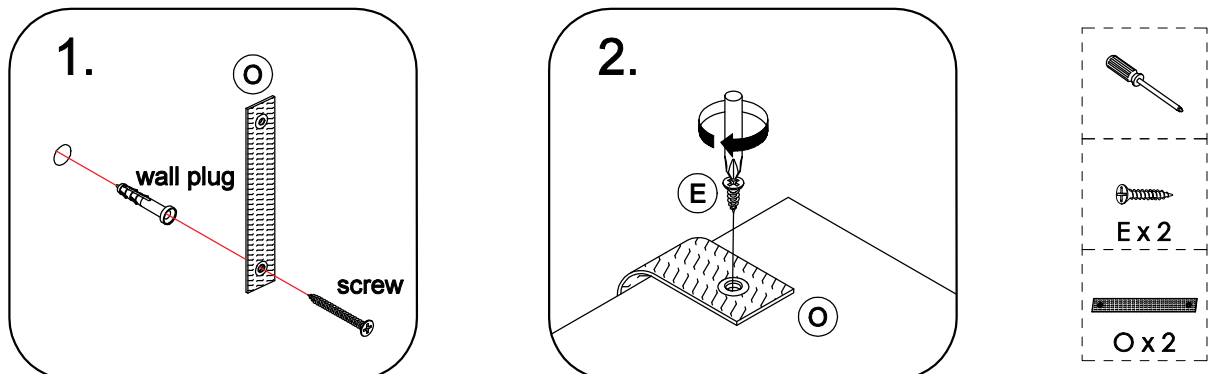
Birlea

Suppliers of inspiration

Step 18: Assemble the drawers in place along the drawer slides.
DO NOT use any power tools as this may damage the frame and will invalidate any claim.



Step 19: To secure the item to the wall use hardware O, screw and wall plug using a screwdriver (not provided). Then attach hardware part O to the panel (1) using hardware E with a screwdriver (not provided).
DO NOT use any power tools as this may damage the frame and will invalidate any claim.



PLEASE NOTE that wall fixings are not supplied as different wall materials require different fixing devices. You must use fixings devices suitable for the type of wall you intend to mount product to. Ensure the head of any screw used has a diameter greater than the mounting hole and the fixing is safe and secure before use.

Birlea Furniture advise you use the hardware O (2 pcs) are provided to further enhance the safety of this product.

Additional Information:

- For complete product information, images and dimension diagrams please visit the website www.birlea.com
- If you have any issues with your item please contact the retailer directly you purchased it from who will be able to resolve any issues with Birlea.
- Why don't you send us photos of your assembled furniture to info@birlea.com to be shared in our #birleahome feature on instagram.