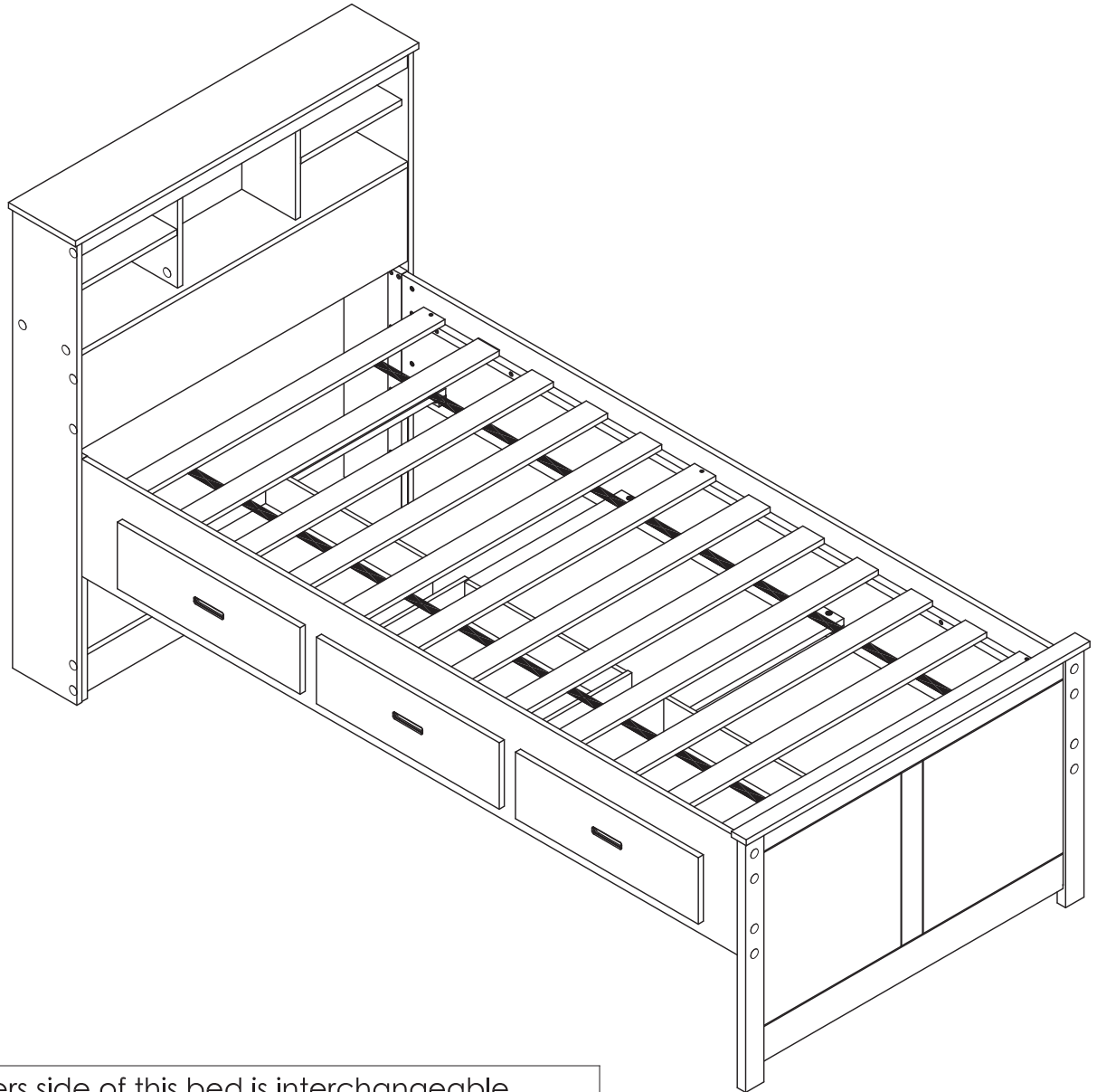


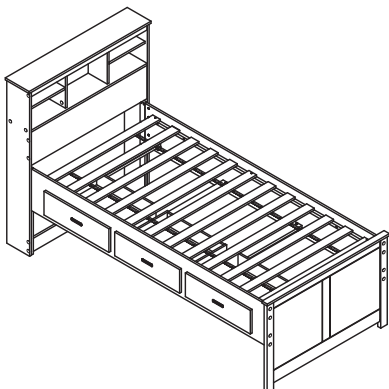
Veera Guest Bed

Assembly Instructions

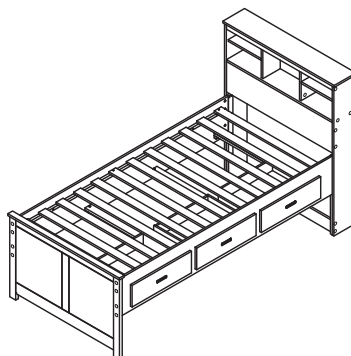


Drawers side of this bed is interchangeable.

Option 1



Option 2



SAFETY ADVICE

Please take the time to carefully read through the whole of these instructions before you commence.

Keep these instructions for future reference.

Unpack, inspect and check of all of the contents.

Please dispose of all packing safely.

Small components parts could choke a child is swallowed.

We strongly recommend that you keep children well away from the work area.

It would be sensible to lay a sheet or blanket on the floor where you intend to work to avoid

Scratching this product and protect your floor.

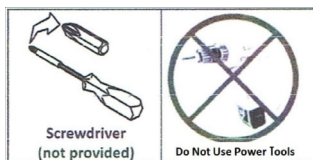
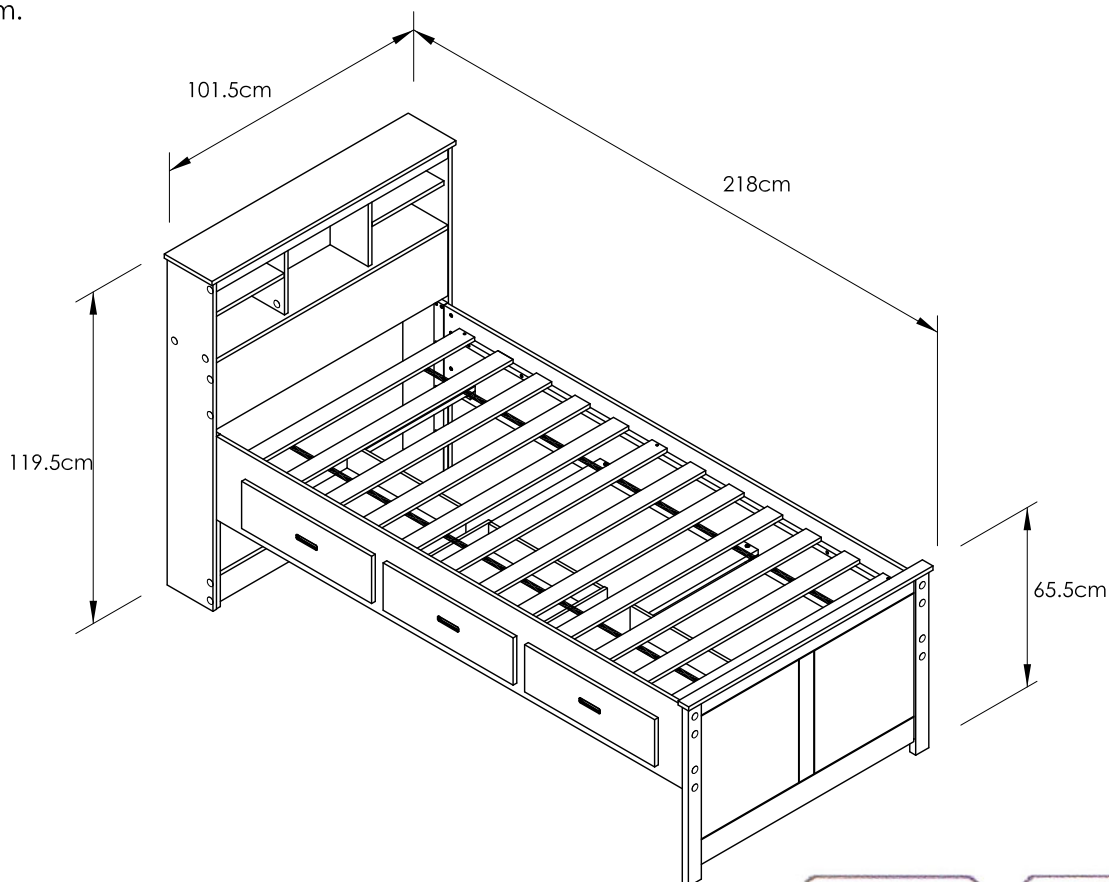
This product is heavy. Take extreme care when lifting to avoid personal injury or damage to the product.

This bed is heavy. Always lift this bed with two people.

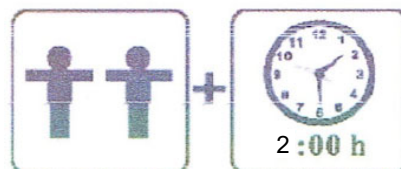
Assemble the product as close to its intended final position in the room as possible.

Keep any sharp object away from the bed frame.

HANDY HINT: If you keep the hardware in a bowl during assembly you will be less likely to lose them.



All Dimensions are approximates.



PART LIST

Model : Veera Guest Bed

Carton 1 of 3

No.	Part Name	Pcs
①L	SIDE PANEL HEADBOARD (LEFT)	1
①R	SIDE PANEL HEADBOARD (RIGHT)	1
②	TOP PANEL HEADBOARD	1
③	TOP RAIL HEADBOARD	1
④	DIVIDER HEADBOARD	2
⑤	TOP SHELF HEADBOARD	2
⑥	BOTTOM SHELF HEADBOARD	1
⑦	BACK PANEL HEADBOARD	1
⑧	FRONT PANEL HEADBOARD	1
⑨	BOTTOM RAIL HEADBOARD	1

Carton 2 of 3

⑩	FOOTBOARD	1
⑮	SLAT	12

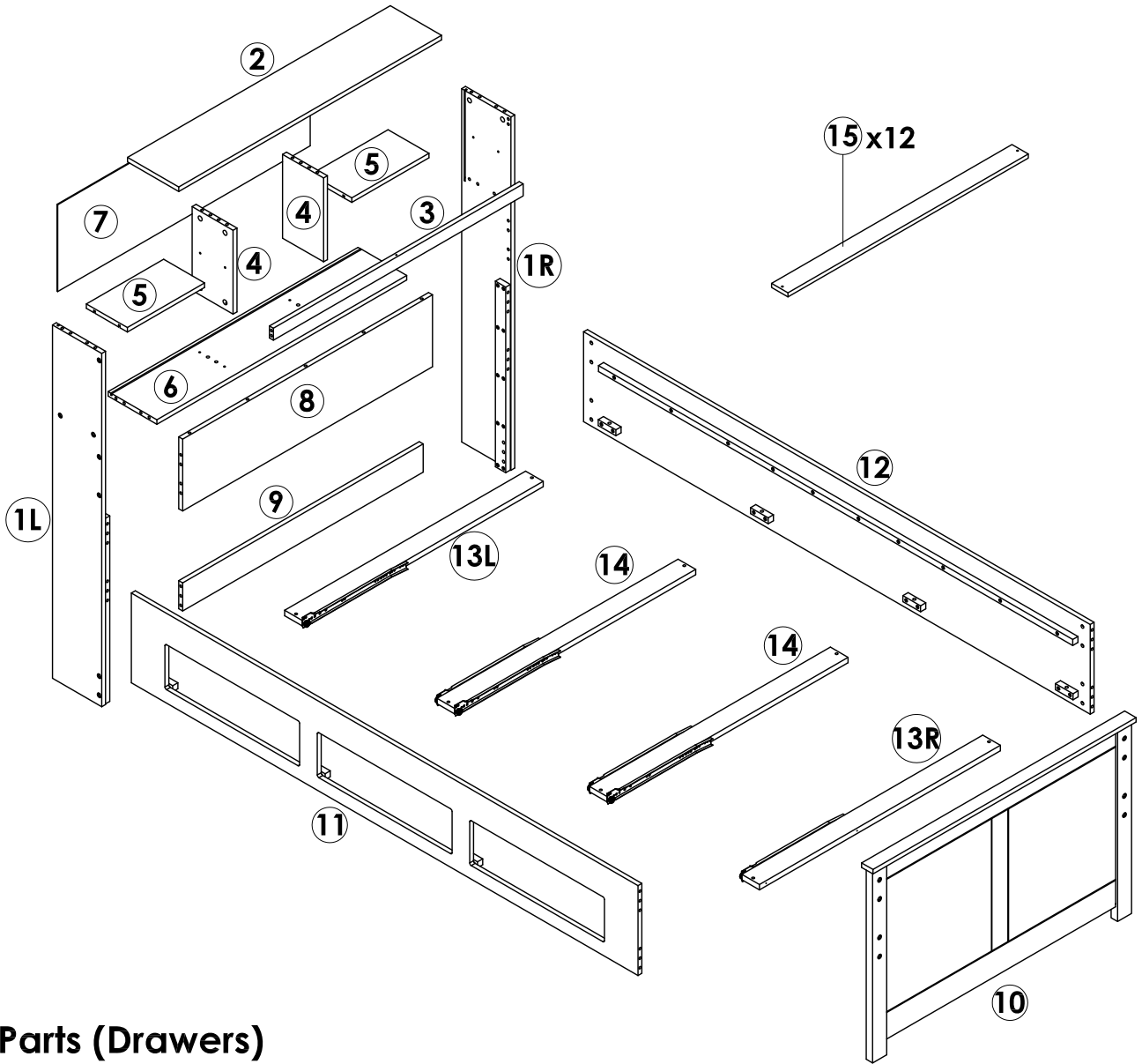
Carton 3 of 3

⑪	SIDE RAIL (FRONT)	1
⑫	SIDE RAIL (REAR)	1
⑬L	DRAWER SUPPORT (LEFT)	1
⑬R	DRAWER SUPPORT (RIGHT)	1
⑭	DRAWER SUPPORT (CENTER)	2
⑯	DRAWER FACE	3
⑰L	DRAWER SIDE (LEFT)	3
⑰R	DRAWER SIDE (RIGHT)	3
⑱	DRAWER REAR	3
⑲	DRAWER BASE	3
⑳	DRAWER BASE SUPPORT	3

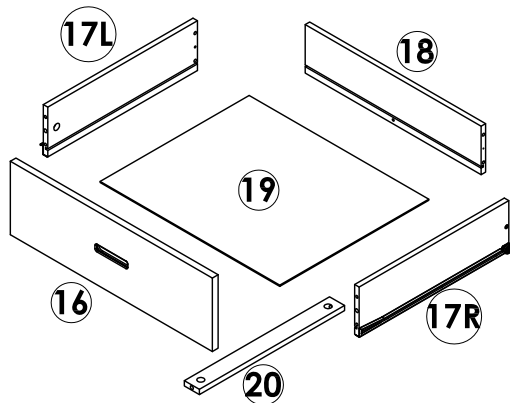
FITTING LIST

Parts

ALL PARTS ARE LABELLED WITH NUMBER ACCORDINGLY



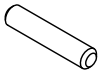
Parts (Drawers)



x3

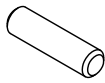
Hardware

A



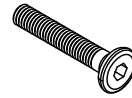
PLASTIC DOWEL (M6 x 30MM)
24 PCS

B



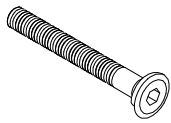
PLASTIC DOWEL (M8 x 30MM)
35 PCS

C



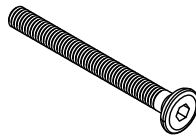
JCBC BOLT (M6 x 35MM)
8 PCS

D



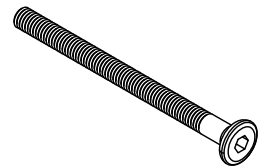
JCBC BOLT (M6 x 50MM)
10 PCS

E



JCBC BOLT (M6 x 60MM)
8 PCS

F



JCBC BOLT (M6 x 80MM)
12 PCS

G



JRN NUT (M6 x 13MM)
30 PCS

H



CONNECTING BOLT (24MM)
26 PCS

J



MINIFIX (9MM)
12 PCS

K



MINIFIX (12MM)
14 PCS

L



CSK C/B SCREW (M4 x 32MM)
13 PCS

M



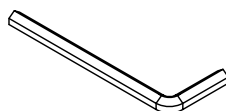
METAL SHELF SUPPORT 010
8 PCS

N



ROUND STICKER (0.5 x 21MM)
26 PCS


P

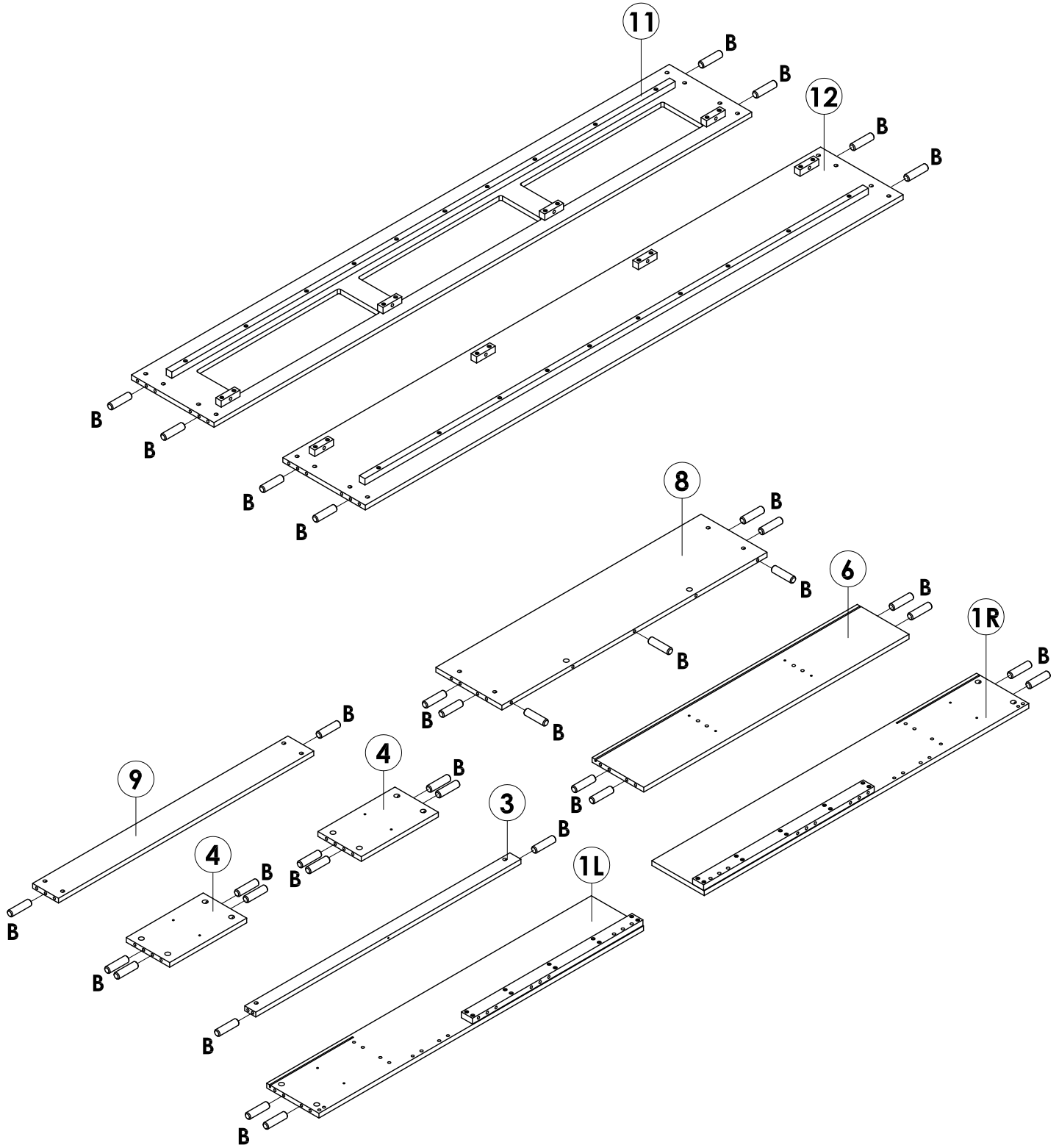


ALLEN KEY (M4 x 60MM)
1 PC

STEP 1

Insert **(B)** into Ø8MM holes on **Side Panel Headboard (Left), Side Panel Headboard (Right), Top Rail Headboard, Divider Headboard, Bottom Shelf Headboard, Front Panel Headboard, Bottom Rail Headboard, Side Rail (Front)** and **Side Rail (Rear)**.

B		35
----------	---	-----------

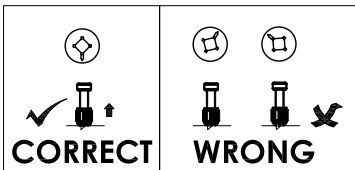
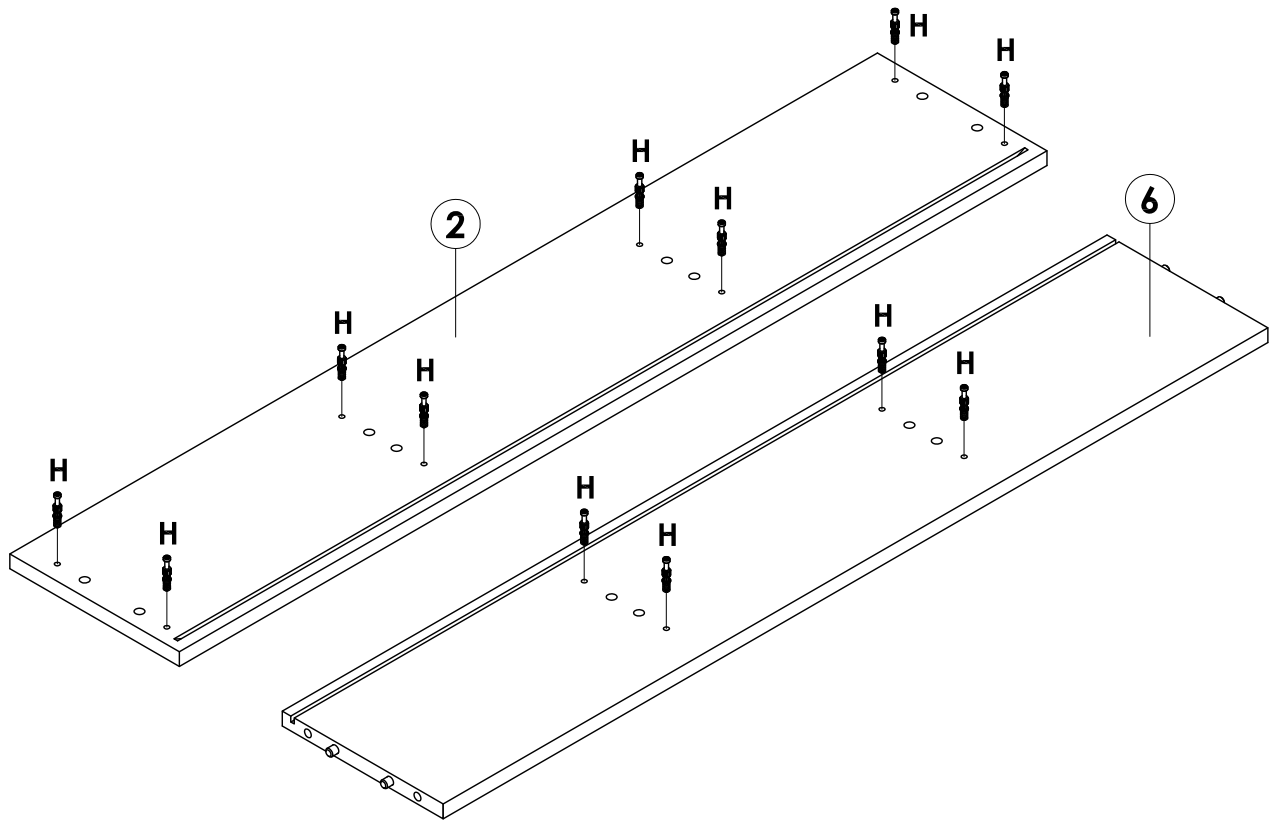


STEP 2

DO NOT use any power tools as this may damage the bed frame and will invalidate any claim.



Insert **(H)** into Ø5MM holes on **Top Panel Headboard** and **Bottom Shelf Headboard**.

H		12
---	---	----



WHEN FITTING CAMS

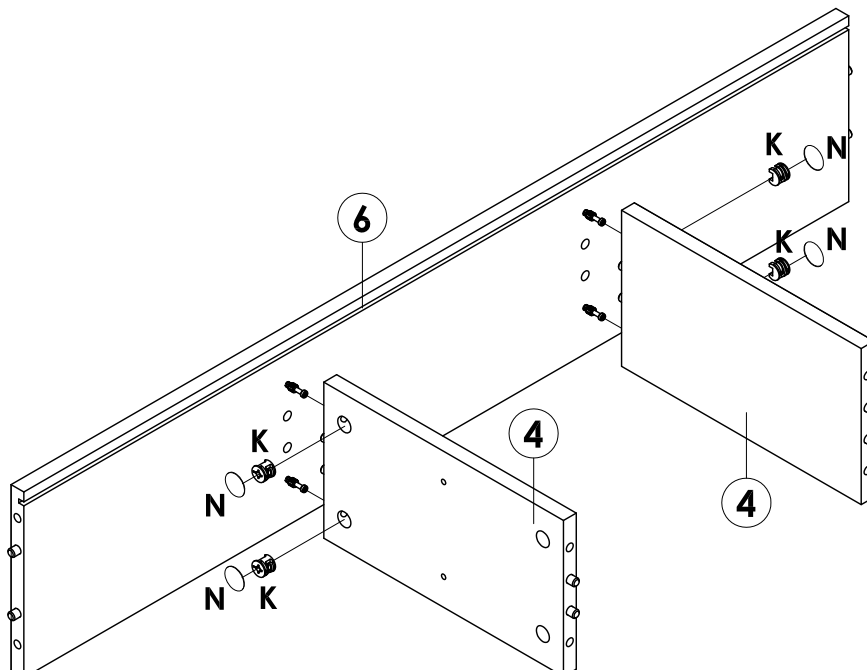
ENSURE STARTING POSITION IS CORRECT BEFORE YOU INSERT CONNECTING BOLT TURN CLOCKWISE UNTIL SECURE.

K		4
N		4

STEP 3

DO NOT use any power tools as this may damage the bed frame and will invalidate any claim.

Attach and Secure **Divider Headboard** onto **Bottom Shelf Headboard** by using **(K)**, tighten it up by using Crosshead screw driver. Follow it up by attaching **(N)** into screw holes.

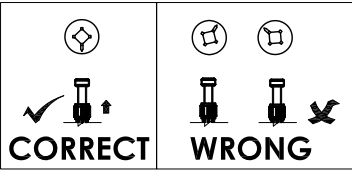
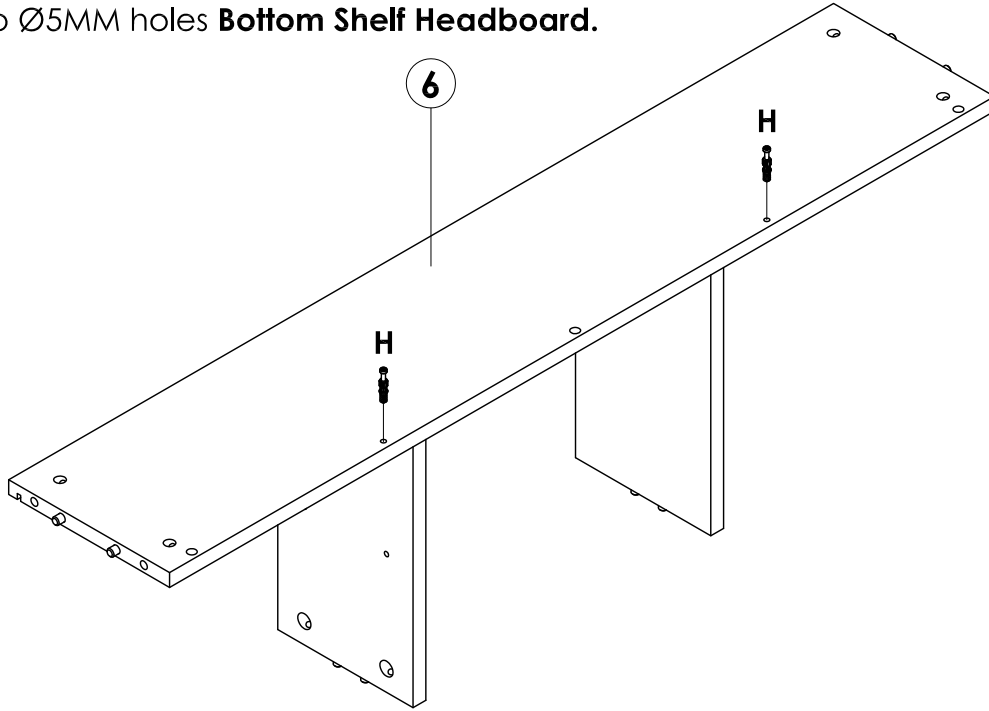


STEP 4

DO NOT use any power tools as this may damage the bed frame and will invalidate any claim.

Insert **(H)** into Ø5MM holes **Bottom Shelf Headboard**.

H		2
---	---	---



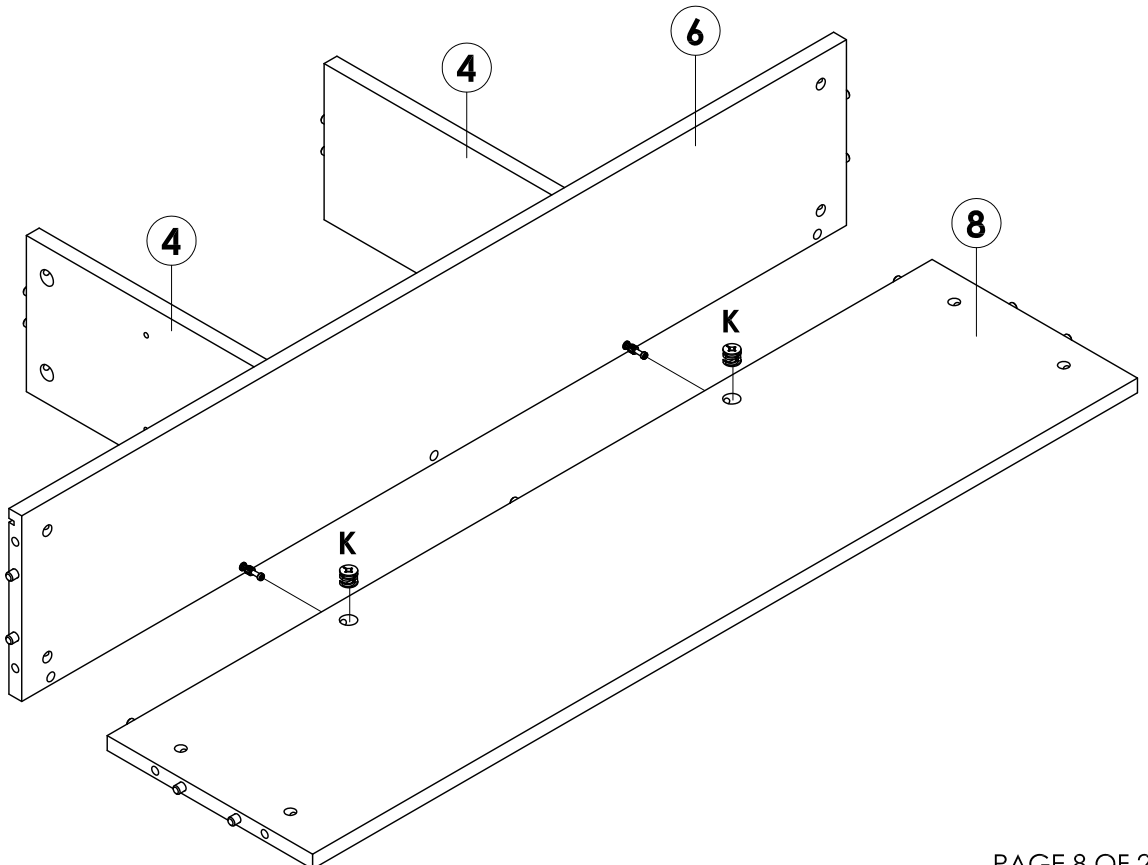
WHEN FITTING CAMS

ENSURE STARTING POSITION IS CORRECT BEFORE YOU INSERT CONNECTING BOLT TURN CLOCKWISE UNTIL SECURE.

K		2
---	--	---

STEP 5






Attach and Secure **Bottom Shelf Headboard** onto **Front Panel Headboard** by using **(K)**, tighten it up by using Crosshead screw driver.

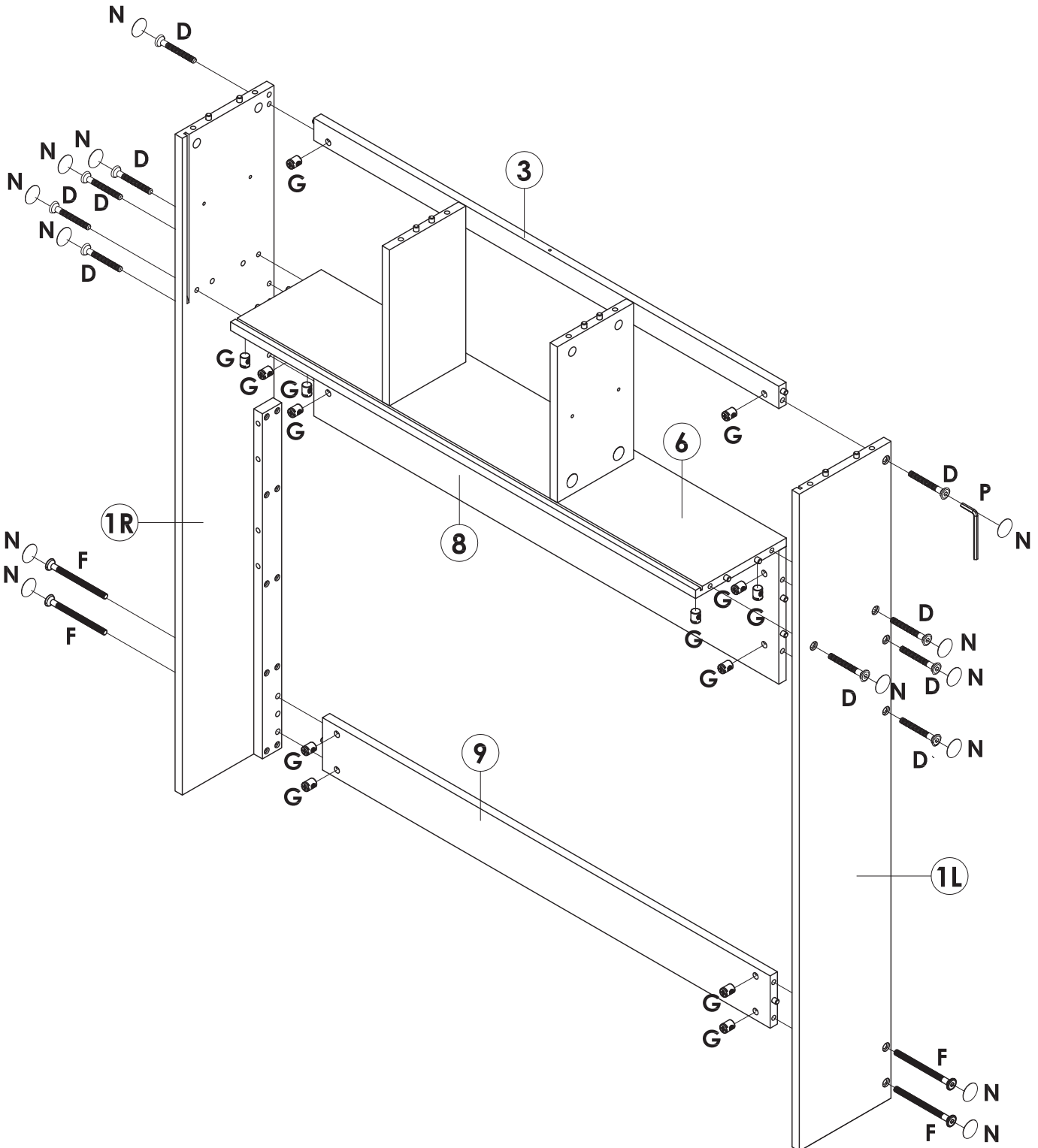


STEP 6

DO NOT use any power tools as this may damage the bed frame and will invalidate any claim.

Attach and secure **Side Panel Headboard (Left)** and **Side Panel Headboard (Right)** onto **Top Rail Headboard, Bottom Shelf Headboard, Front Panel Headboard** by using **(D)** and **(G)**, onto **Bottom Rail Headboard**, by using **(F)** and **(G)**, tighten it up by using **(P)**. Follow it up by attaching **(N)** into screw holes.

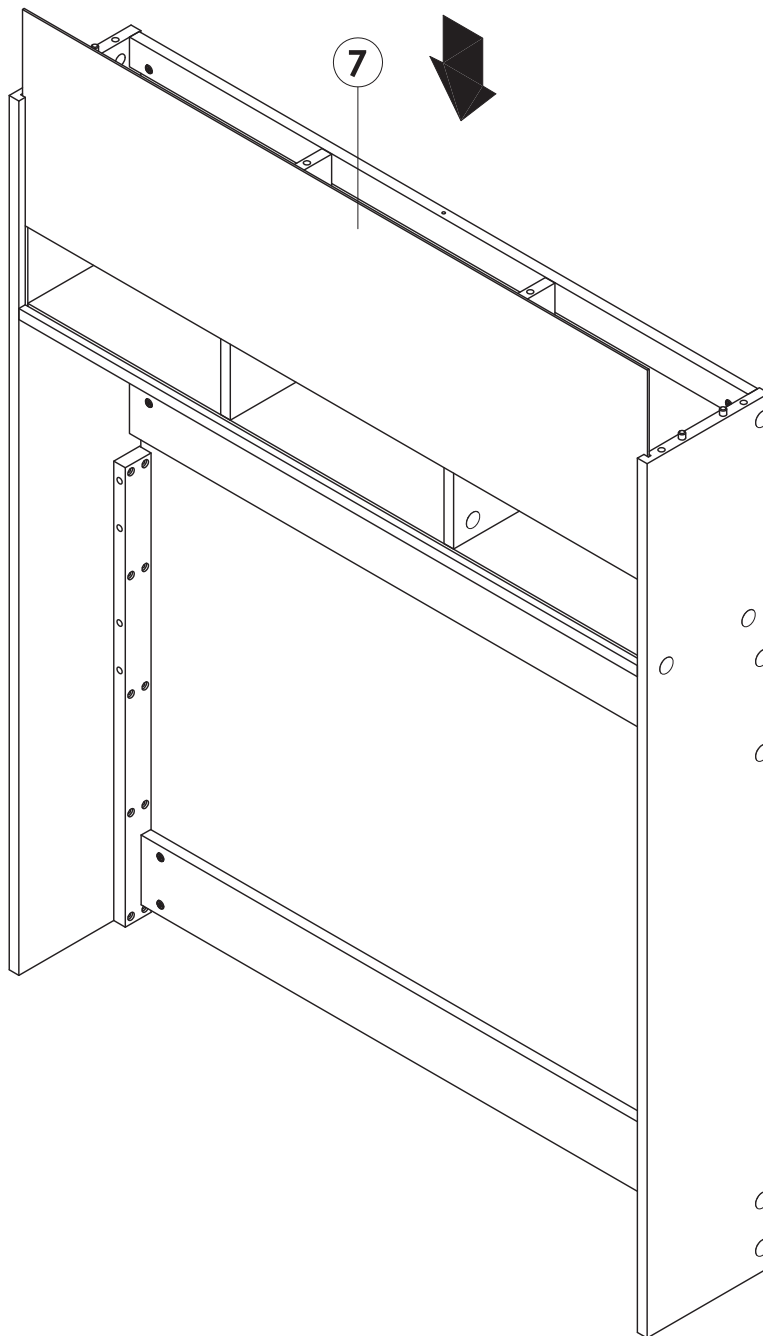
D		10
F		4
G		14
N		14
P		1

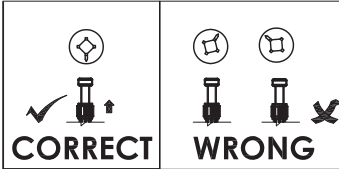


STEP 7

Slot **Back Panel Headboard** into **Side Panel Headboard (Left)** and **Side Panel Headboard (Right)** .



Headboard Back View





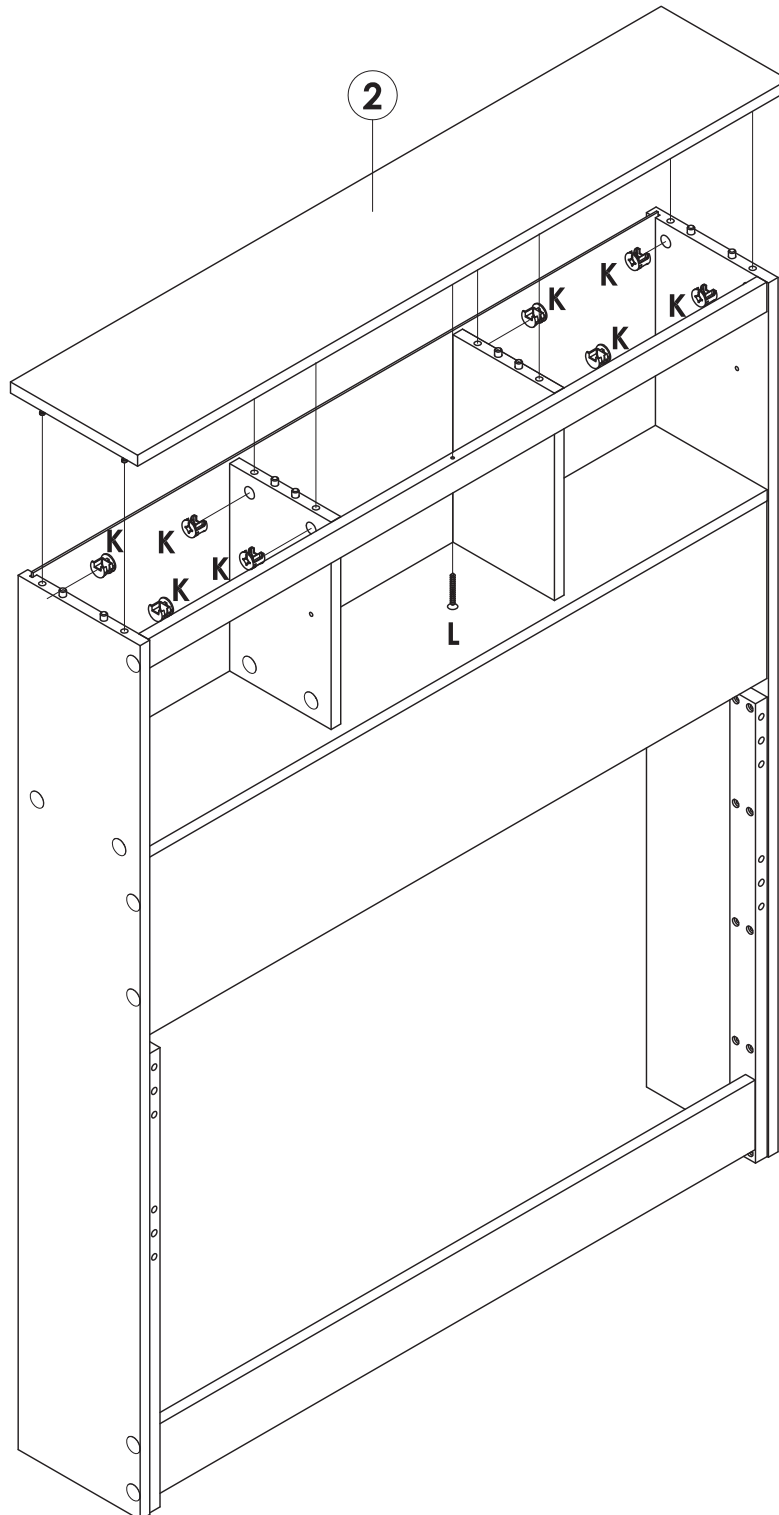
WHEN FITTING CAMS

ENSURE STARTING POSITION IS CORRECT BEFORE YOU INSERT CONNECTING BOLT. TURN CLOCKWISE UNTIL SECURE.

K		8
L		1


STEP 8

DO NOT use any power tools as this may damage the bed frame and will invalidate any claim. Attach and Secure **Top Panel Headboard** onto **Side Panel Headboard (Left)** and **Side Panel Headboard (Right)** by using (K) and (L), tighten it up by using Crosshead screw driver.

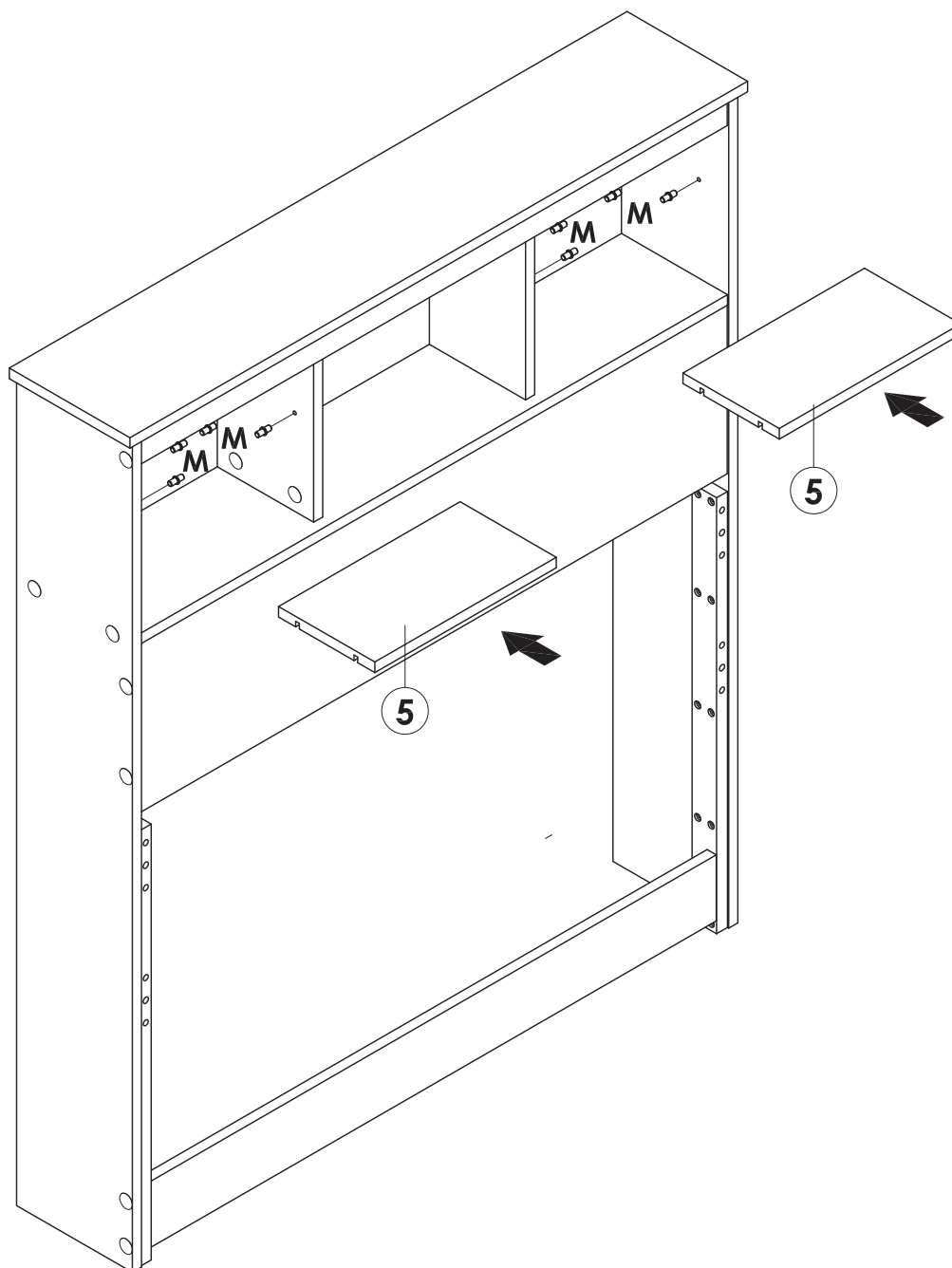


STEP 9

DO NOT use any power tools as this may damage the bed frame and will invalidate any claim.

M		8
---	---	---

Insert **(M)** into Ø5MM holes on **Side Panel Headboard (Left)**, **Side Panel Headboard (Right)** and **Divider Headboard**. Place **Top Shelf Headboard** as shown above.








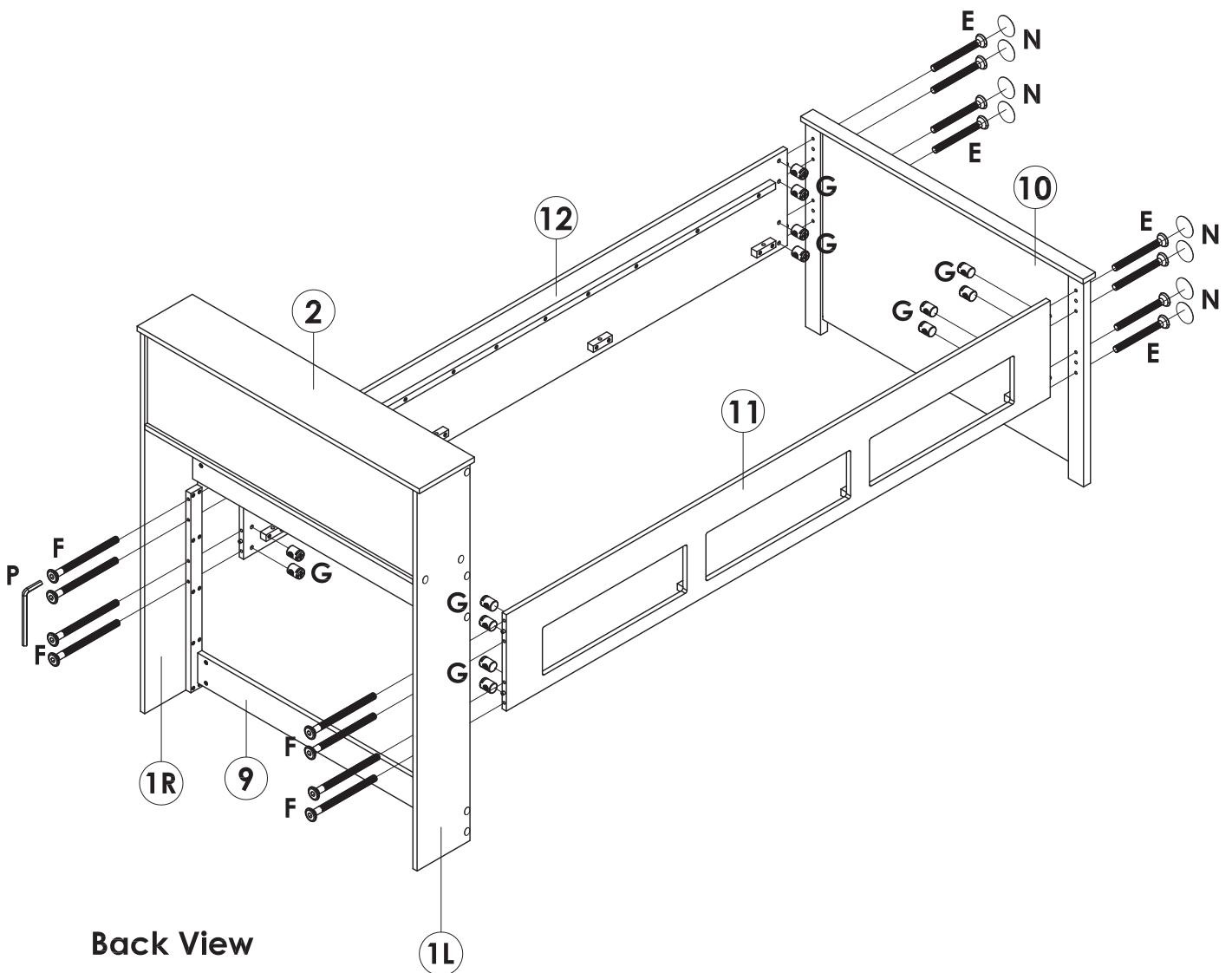
OPTION 1 : DRAWER ON LEFT SIDE

STEP 10

DO NOT use any power tools as this may damage the bed frame and will invalidate any claim.

Attach and Secure **Side Rail (Front)** and **Side Rail (Rear)** onto **Headboard** by using **(F)** and **(G)**, onto **Footboard** by using **(E)** and **(G)** tighten it up by using **(P)**. Follow it up by attaching **(N)** into screw holes.

E		8
F		8
G		16
N		8
P		1





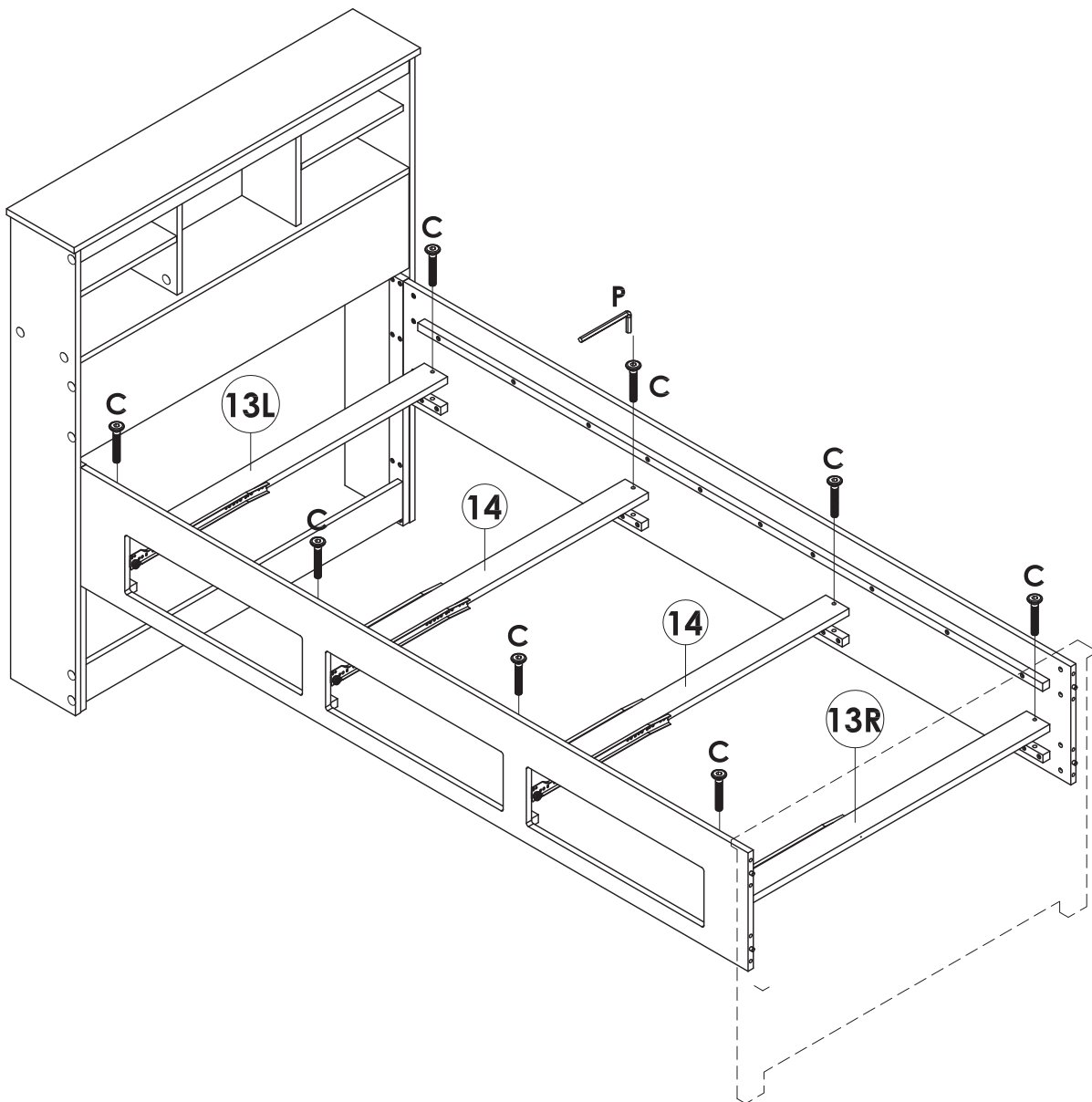
Back View

STEP 11

DO NOT use any power tools as this may damage the bed frame and will invalidate any claim.

Attach and Secure **Drawer Support (Left)**, **Drawer Support (Right)** and **Drawer Support (center)** onto **Side Rail (Front)** and **Side Rail (Rear)** by using **(C)**, tighten it up by using **(P)**.

C		8
P		1

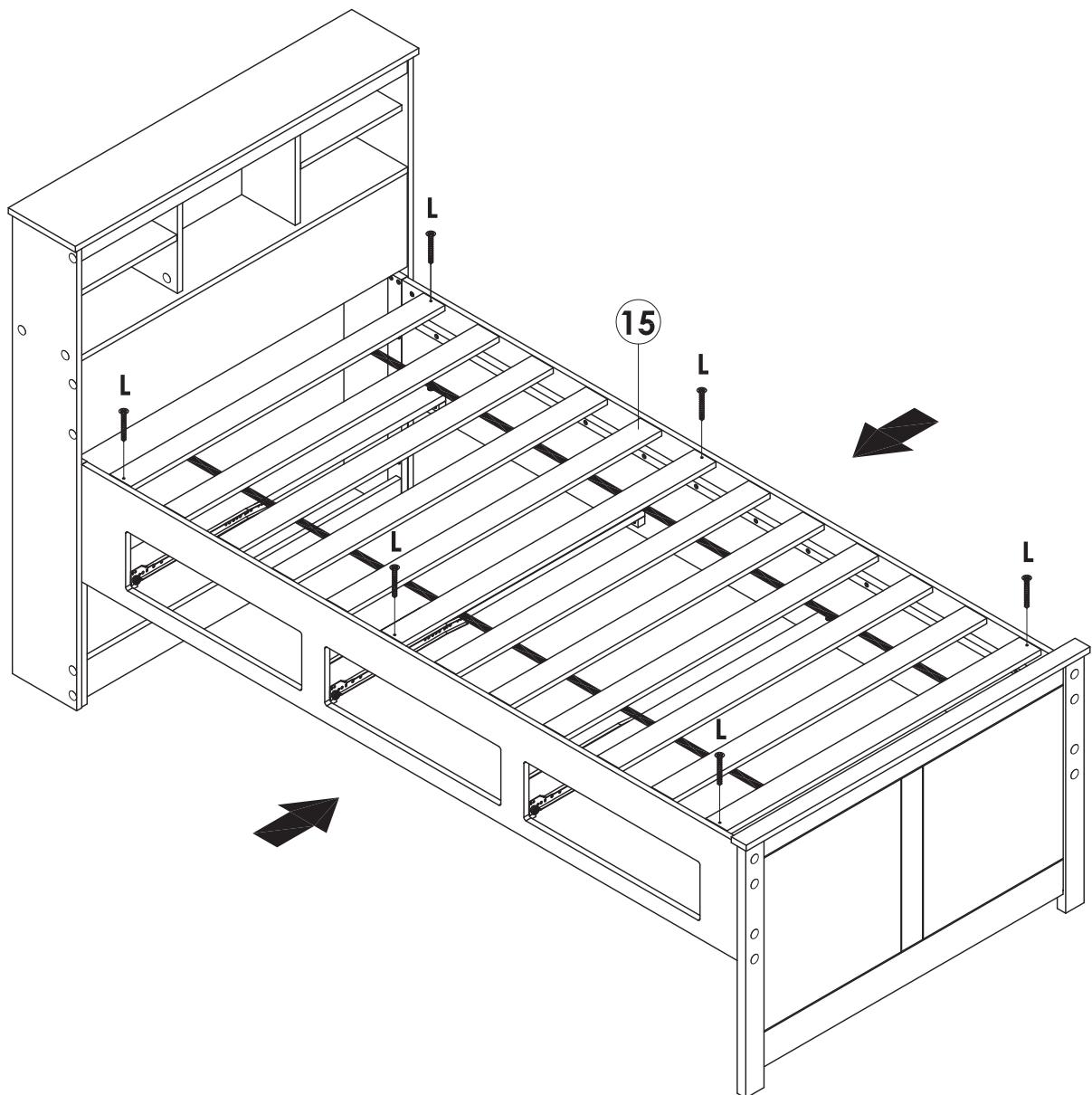


STEP 12

DO NOT use any power tools as this may damage the bed frame and **will invalidate any claim.**

Attach and secure **Wooden Slat** onto bed **Slat Support** by using **(L)**, tighten it up by using a Crosshead Screw Driver.

Align both **Side Rail (Front) and **Side Rail (Rear)** before tightening the screws.*








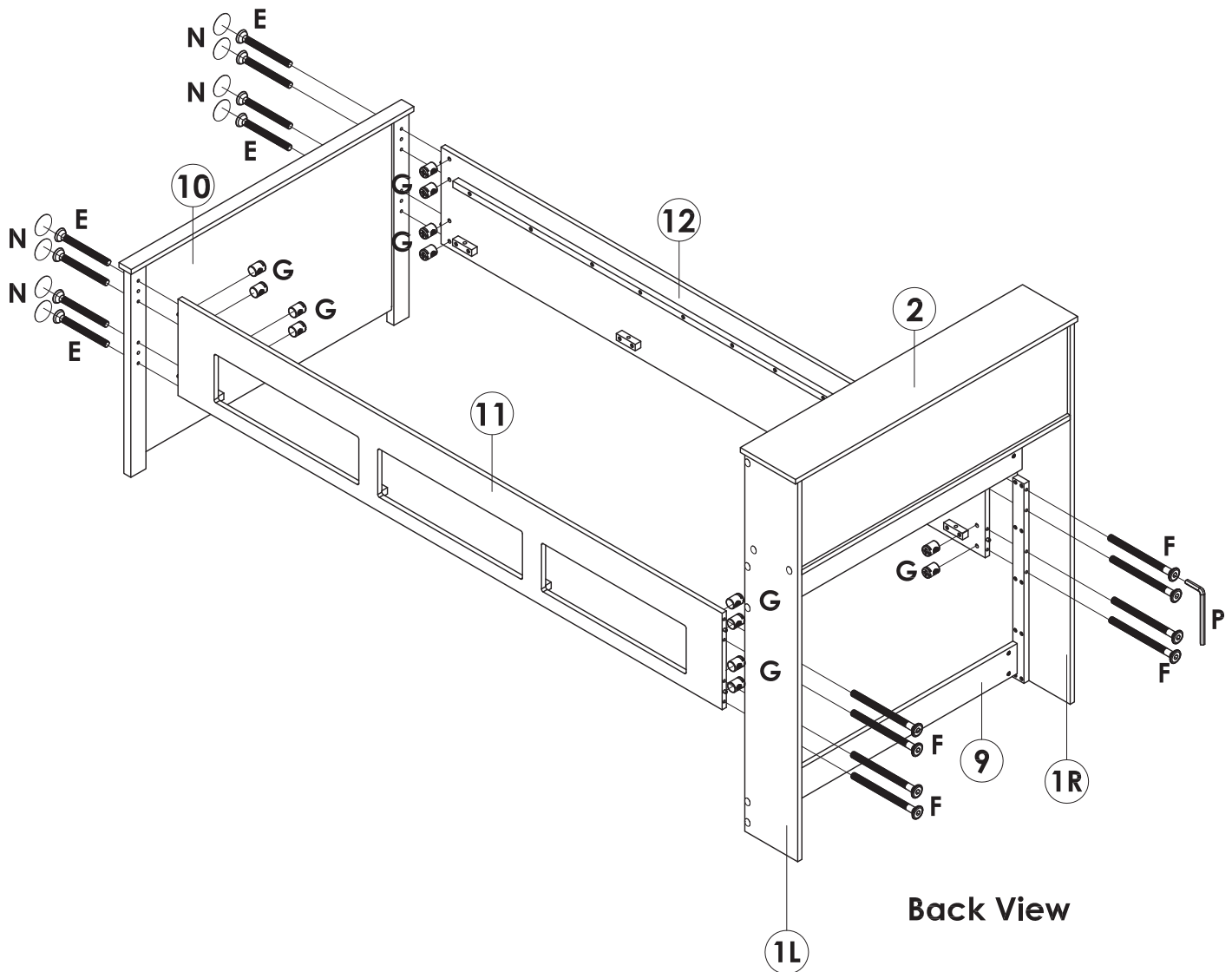
OPTION 2 : DRAWER ON RIGHT SIDE

STEP 9

DO NOT use any power tools as this may damage the bed frame and will invalidate any claim.

Attach and Secure **Side Rail (Front)** and **Side Rail (Rear)** onto **Headboard** by using **(F)** and **(G)**, onto **Footboard** by using **(E)** and **(G)** tighten it up by using **(P)**. Follow it up by attaching **(N)** into screw holes.



E		8
F		8
G		16
N		8
P		1

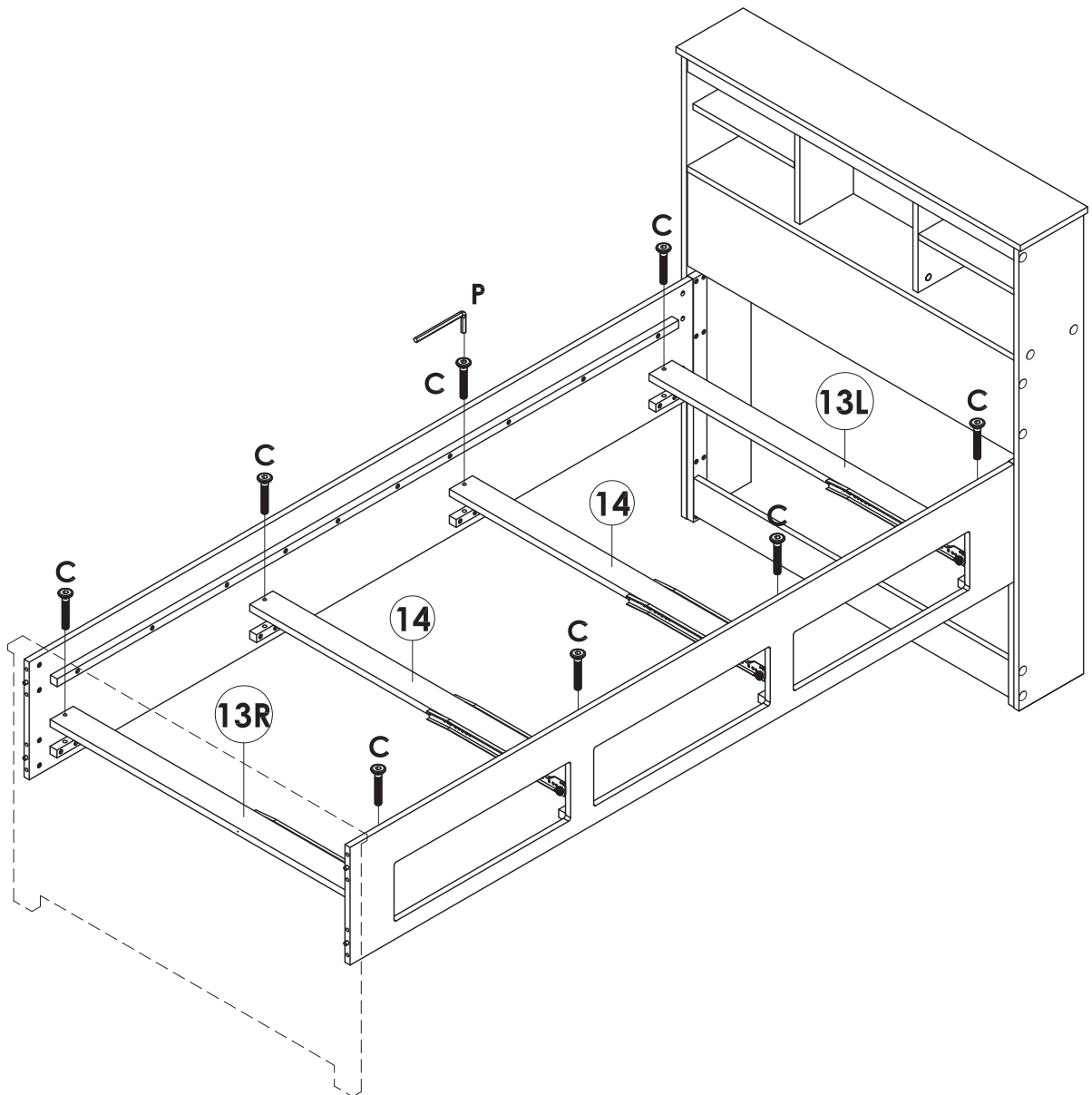


STEP 11

DO NOT use any power tools as this may damage the bed frame and will invalidate any claim.

Attach and Secure **Drawer Support (Left)**, **Drawer Support (Right)** and **Drawer Support (center)** onto **Side Rail (Front)** and **Side Rail (Rear)** by using **(C)**, tighten it up by using **(P)**.

C		8
P		1

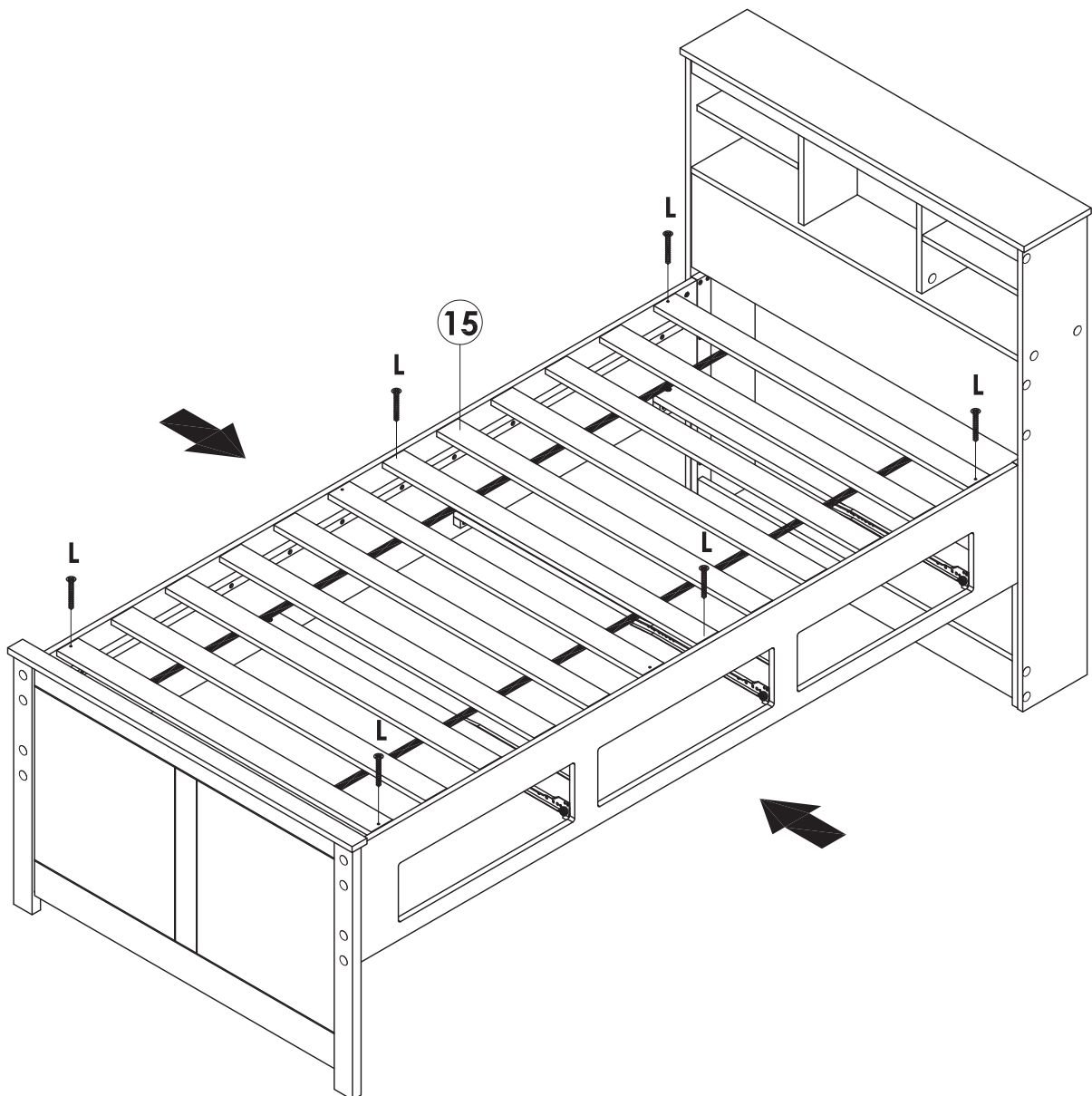


STEP 12

DO NOT use any power tools as this may damage the bed frame and **will invalidate any claim.**

Attach and secure **Wooden Slat** onto bed **Slat Support** by using **(L)**, tighten it up by using a Crosshead Screw Driver.

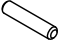

Align both **Side Rail (Front) and **Side Rail (Rear)** before tightening the screws.*



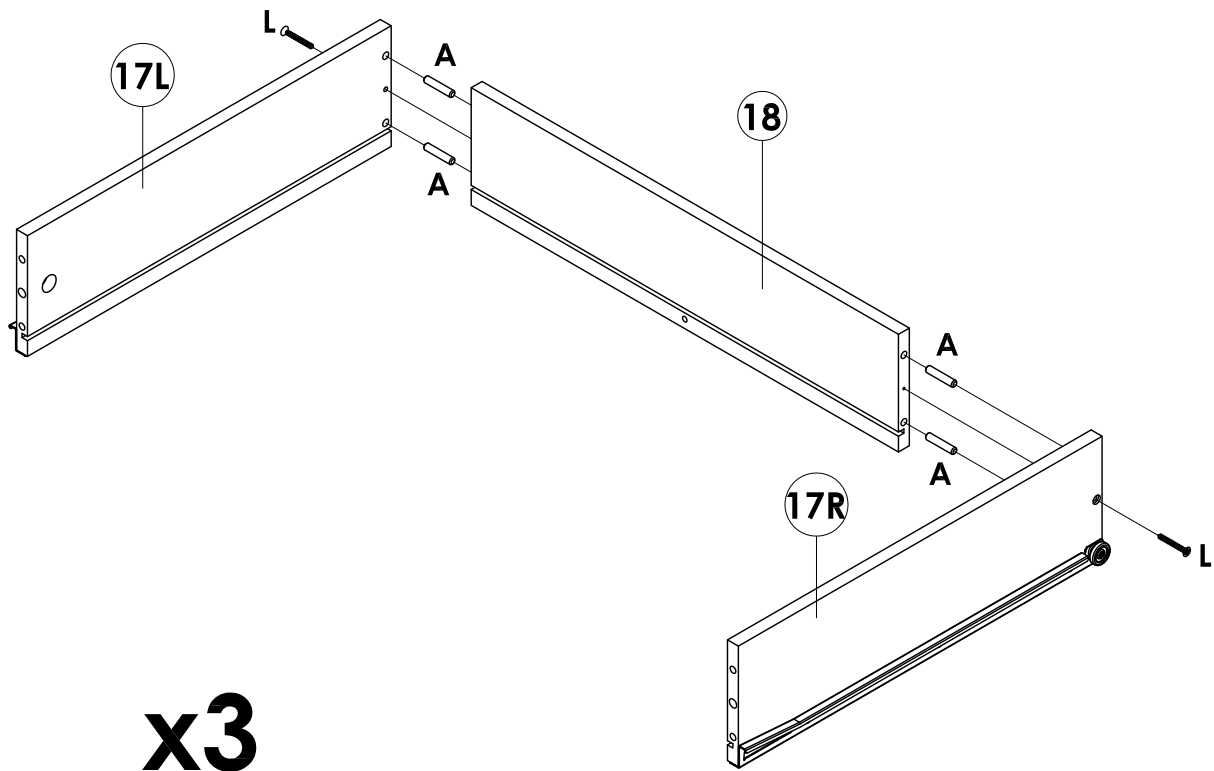
STEP 13

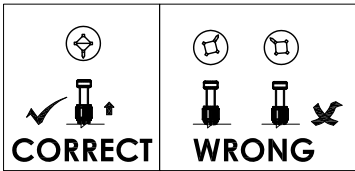
DO NOT use any power tools as this may damage the bed frame and will invalidate any claim.

Attach and Secure **Drawer Side (Left)** and **Drawer Side (Right)** onto **Drawer Rear** by using **(A)** and **(L)**, tighten it up by using crosshead screw driver.

A		12
L		6



Assembling Drawers





WHEN FITTING CAMS

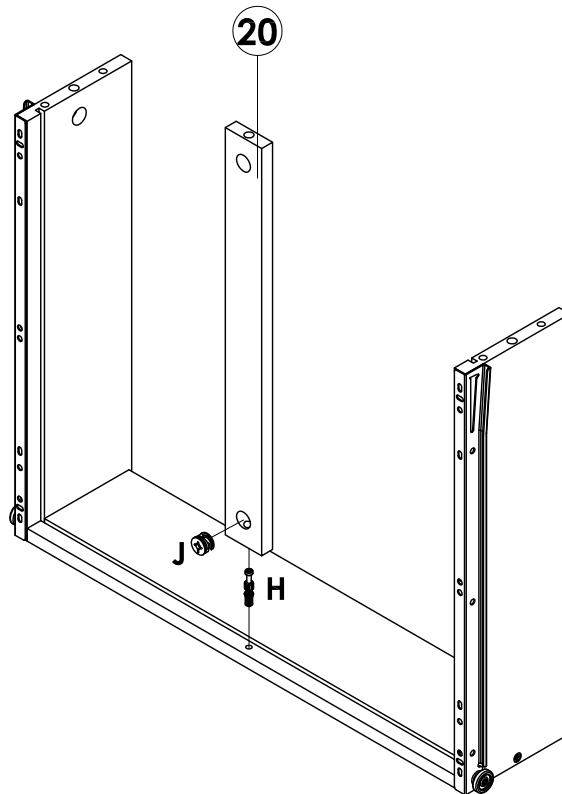
ENSURE STARTING POSITION IS CORRECT BEFORE YOU INSERT CONNECTING BOLT TURN CLOCKWISE UNTIL SECURE.

H		3
J		3

STEP 14

DO NOT use any power tools as this may damage the bed frame and will invalidate any claim.

Attach and Secure **Drawer Base Support** onto **Drawer Rear**, by using **(H)** and **(J)**, tighten it up by using crosshead screw driver.

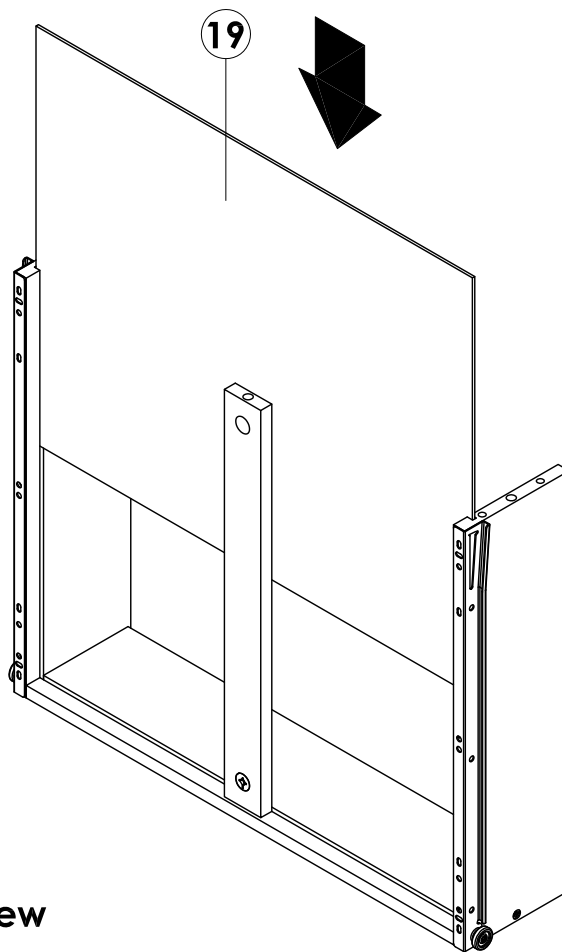


Bottom View

x3

STEP 15

Slot **Drawer Base** into **Drawer Side (Left)** and **Drawer Side (Right)**.



Bottom View

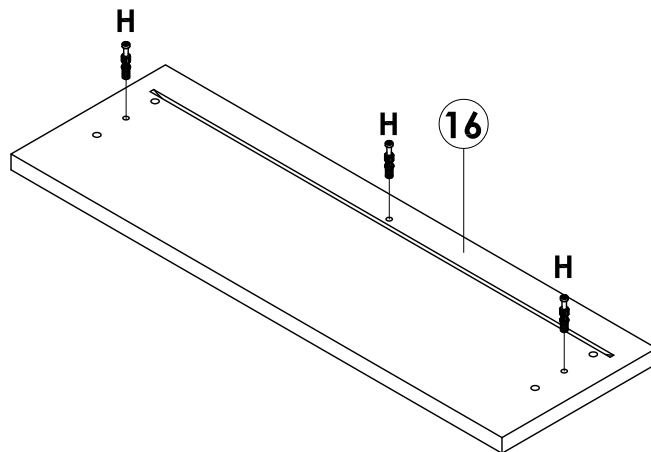
x3

STEP 16

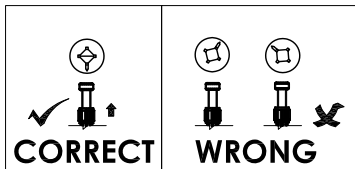
DO NOT use any power tools as this may damage the bed frame and will invalidate any claim.

Insert **(H)** into Ø5MM holes on **Drawer Face** by using crosshead screw driver.

H		9
---	---	---

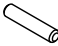



x3



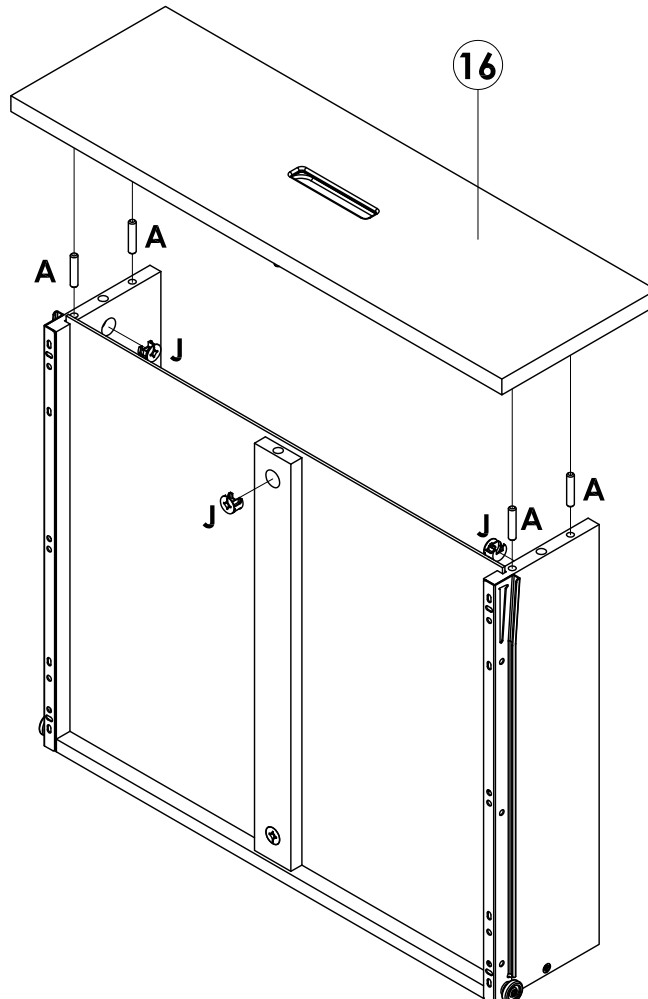
WHEN FITTING CAMS

ENSURE STARTING POSITION IS CORRECT BEFORE YOU INSERT CONNECTING BOLT TURN CLOCKWISE UNTIL SECURE.

A		12
J		9

STEP 17

Attach and Secure **Drawer Face** onto **Drawer Side (Left)** and **Drawer Side (Right)** by using **(A)** and **(J)**, tighten it up by using crosshead screw driver.

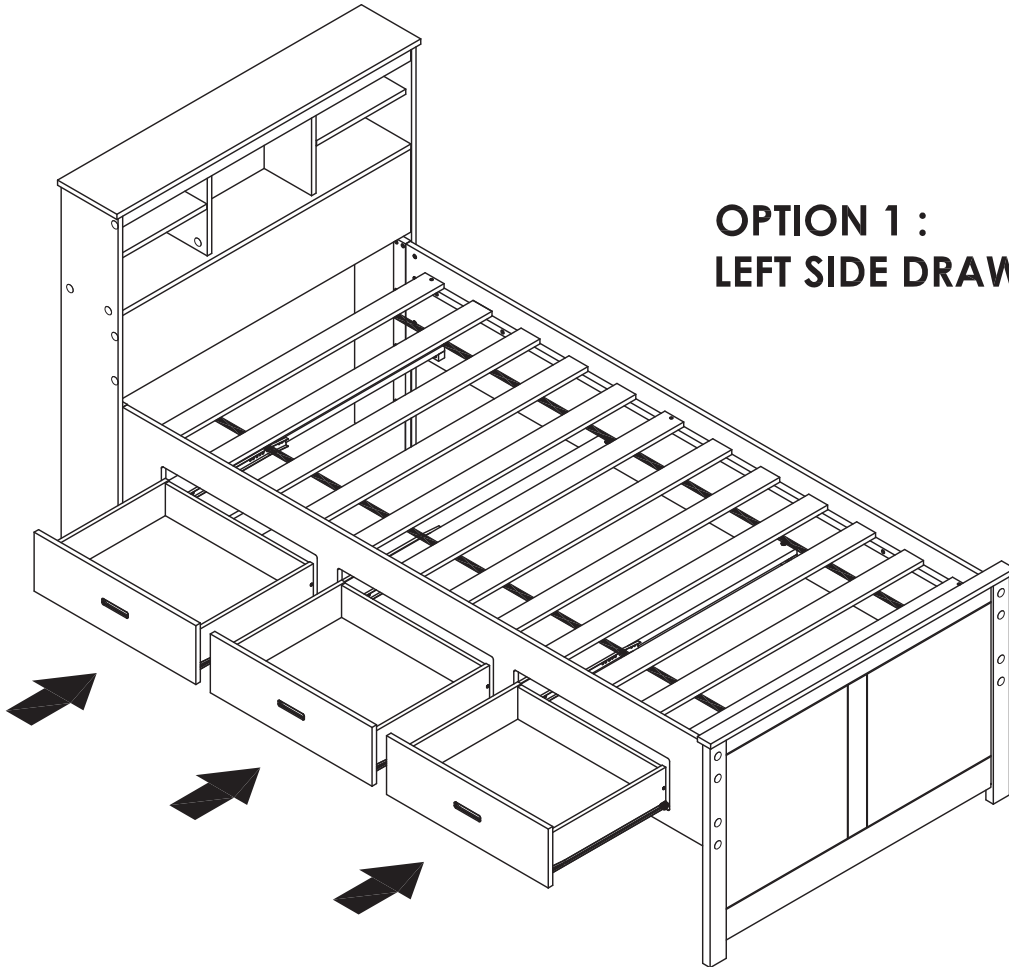


Bottom View

x3

STEP 18

Insert **Drawer** into **Bed Frame**.



**OPTION 1 :
LEFT SIDE DRAWERS**

**OPTION 2 :
RIGHT SIDE DRAWERS**

