



# Birlea

Suppliers of inspiration

## Assembly Instructions

Thank you for  
purchasing a  
**Birlea** product.

For a chance to win a Love 2 Shop voucher simply post a picture of your new product on your preferred social channels tagging Birlea Furniture and using the hashtag **#ShareYourStyle** and **#Birlea**. One winner will be selected at random each month.

To view our full terms and conditions please visit [www.birlea.com](http://www.birlea.com)

Are you happy with your purchase?

**Yes:** That's great, we would love to hear more from you. Please leave us a review on our social media channels or Trustpilot. Your feedback will be greatly appreciated

**No:** If for any reason there is something missing, indifferent or incorrect with your order, please contact the retailer you purchased the item from. We will work with the retailer to resolve your issue as quickly as possible.



# Plaza Fabric TV Bed - King

## Assembly Instructions

### Before you begin...

1. Please check you have received the correct product.
2. Unpack all boxes and lay out each component on the floor.
3. Check your product for any damage that may be immediately obvious. If damage is identified, please contact your retailer.
4. Please read through these instructions thoroughly to ensure you have constructed your bed correctly.

### For Care and Maintenance of your bed...

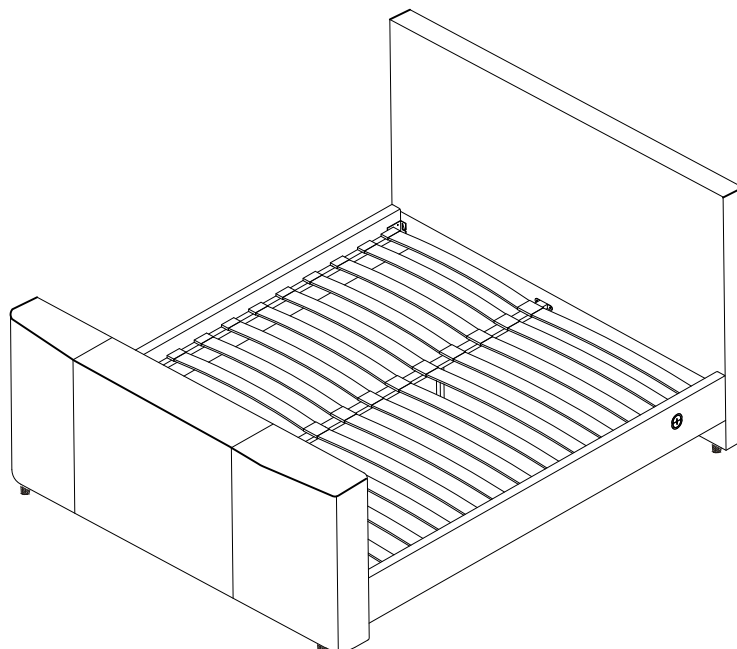
- Always assemble in your desired room of use.
- Always check all screws and fixings periodically to ensure they are still secure.
- Do not push or pull this bed as it will cause damage.
- Always lift this bed with a second person to prevent damage or injury.
- Keep any sharp objects away from this bed Frame.

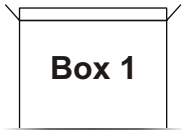
### For your Health and Safety...

- Please don't not jump on this Bed.
- Do not use this bed if you find missing, damaged or worn parts. Please contact your retailer.
- Please do not use this bed until you have fully secured all fixings.
- Please keep all small components away from children.
- Please ensure this bed is on an even, level surface.

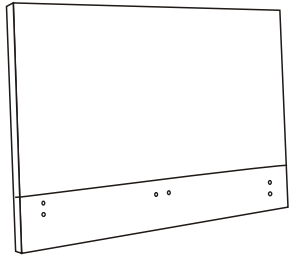
### Also...

If your desired room of choice has a non-carpeted surface please ensure that you use some form of anti-slip protection and do not place directly on the wooden floor. This will prevent the bed from moving and therefore collapsing which will void your guarantee..

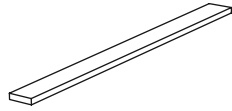




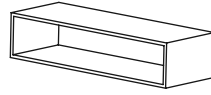
**Box 1**



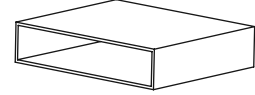
**1. Headboard (x1)**



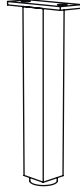
**7. Slats (x28)**



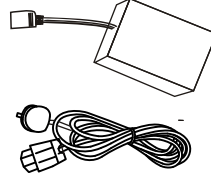
**H. Slat Caps (x28)**



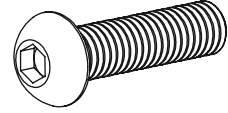
**M. Centre Slat Caps (x14)**



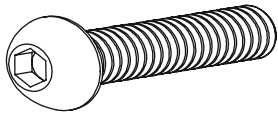
**5. Support Leg (x2)**



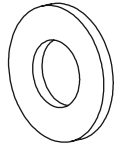
**8. Power plug (x1)**



**A. M8x30mm Bolts (x12)**



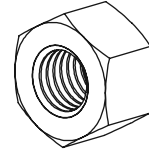
**B. M8x40mm Bolts (x4)**



**D. Flat Washer (X8)**



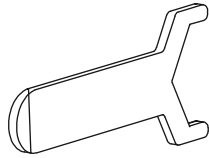
**E. Spring Washer (x8)**



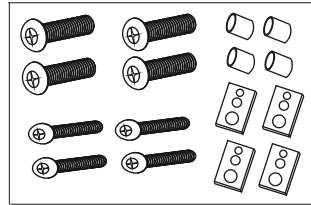
**C. Nuts (x4)**



**F. M5 Allen Key (x1)**



**G. Spanner (x1)**



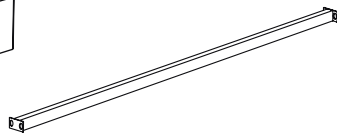
**K. Spare parts for TV**



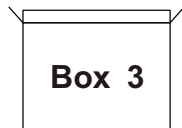
**Box 2**



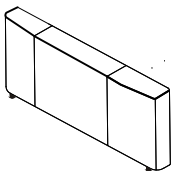
**2. Side Rails (x2)**



**4. Centre Support Rail (x1)**



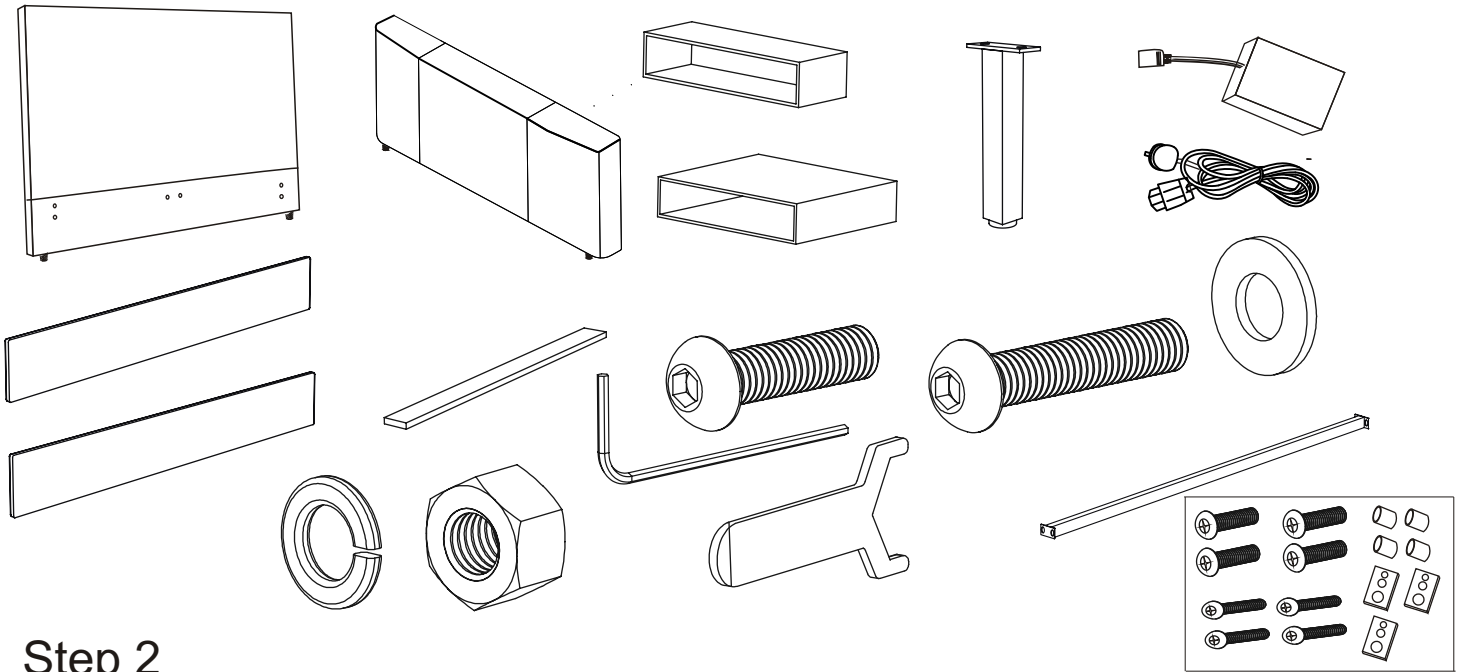
**Box 3**



**3. Footboard (x1)**

# Step 1

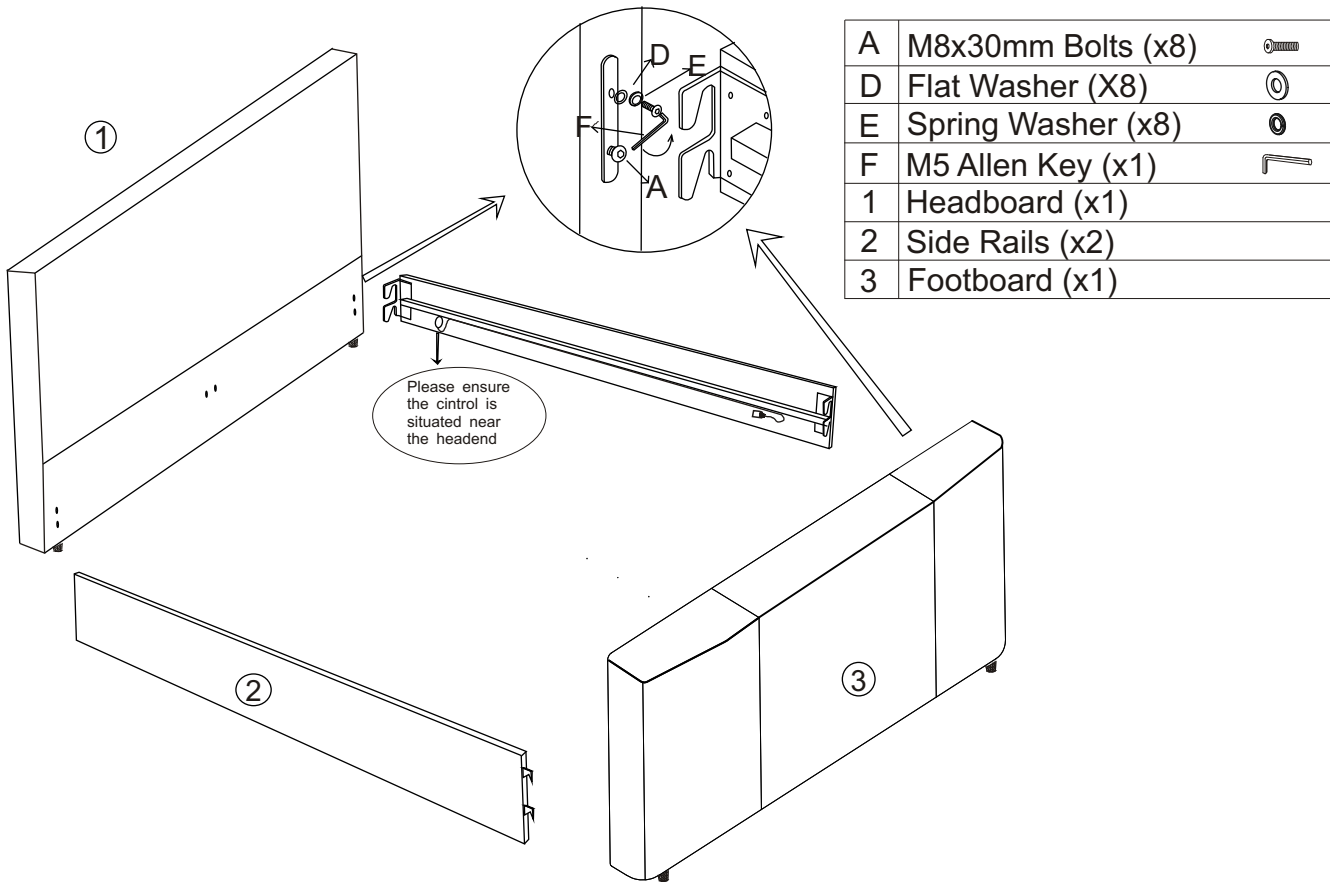
Unpack all components from the boxes and check you are not missing anything. Please check these against the list on page 3. Should you identify any missing components, please contact the retailer you purchased the bed from.



# Step 2

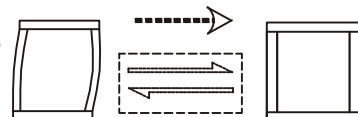
Attach the side rails(2)to the headboard (1) and footboard (3) using hardware parts A, D, E and M5 allen key (F) .

**DO NOT use any power tools as this may damage the frame and will invalidate any claim.**



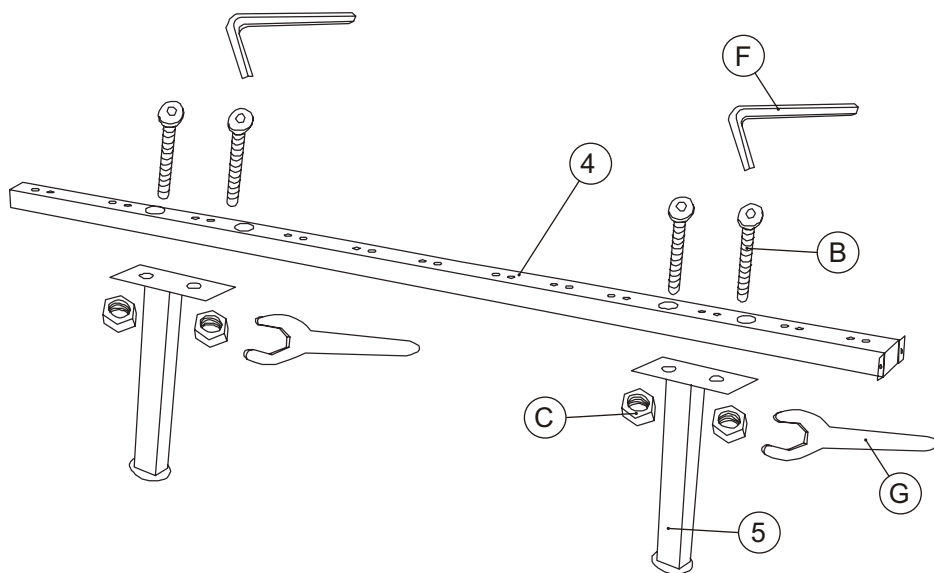
MAKE CERTAIN THE BED IS SQUARE AS SHOWN.





Note: THEN tighten all bolts 100% using allen key



## Step 3

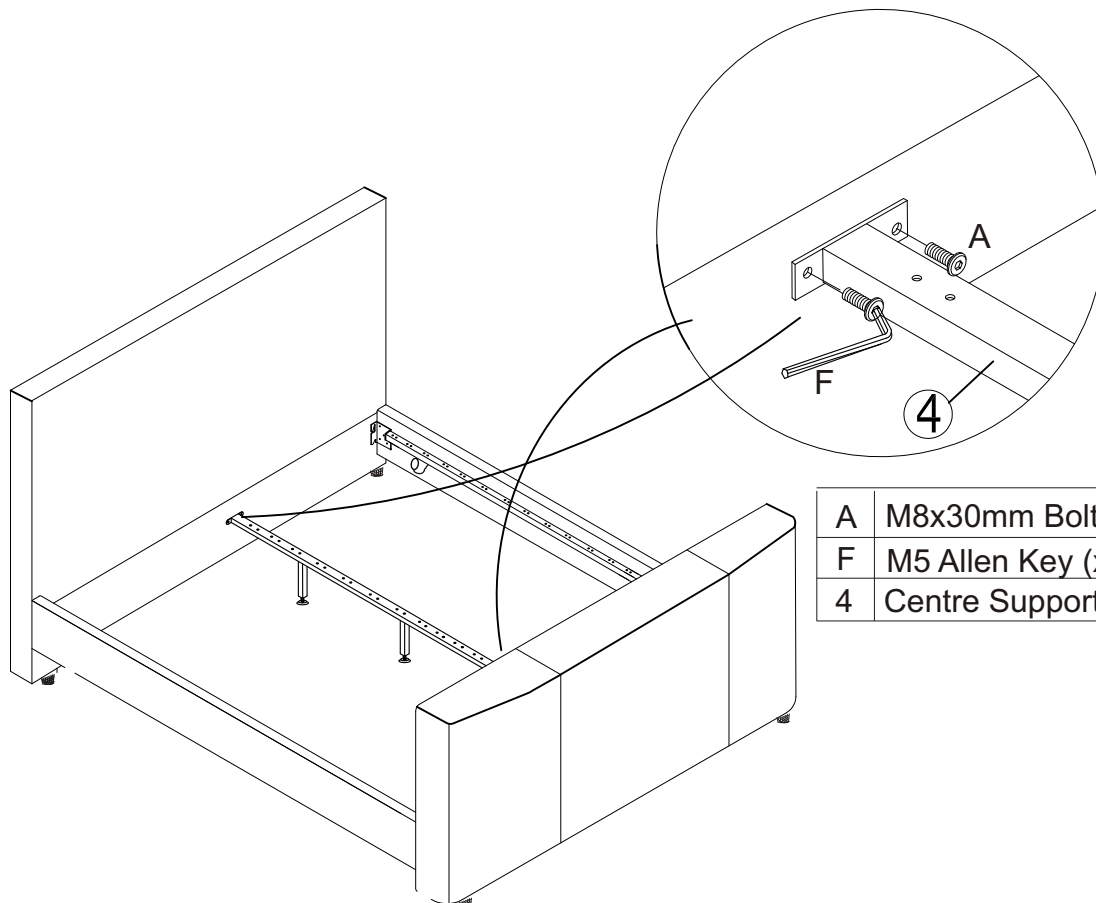
Next, attach 2x Support Leg (5) to 1x Centre Support Rail (4) using 4x M8x40mm Bolts (B), Allen Key (F), 4x Nuts (c) and Spanner (G).





B	M8x40mm Bolts (x4)	
F	M5 Allen Key (x1)	
C	Nuts (x4)	
G	Spanner (x1)	
4	Centre Support Rail (x1)	
5	Support Leg (x2)	

## Step 4

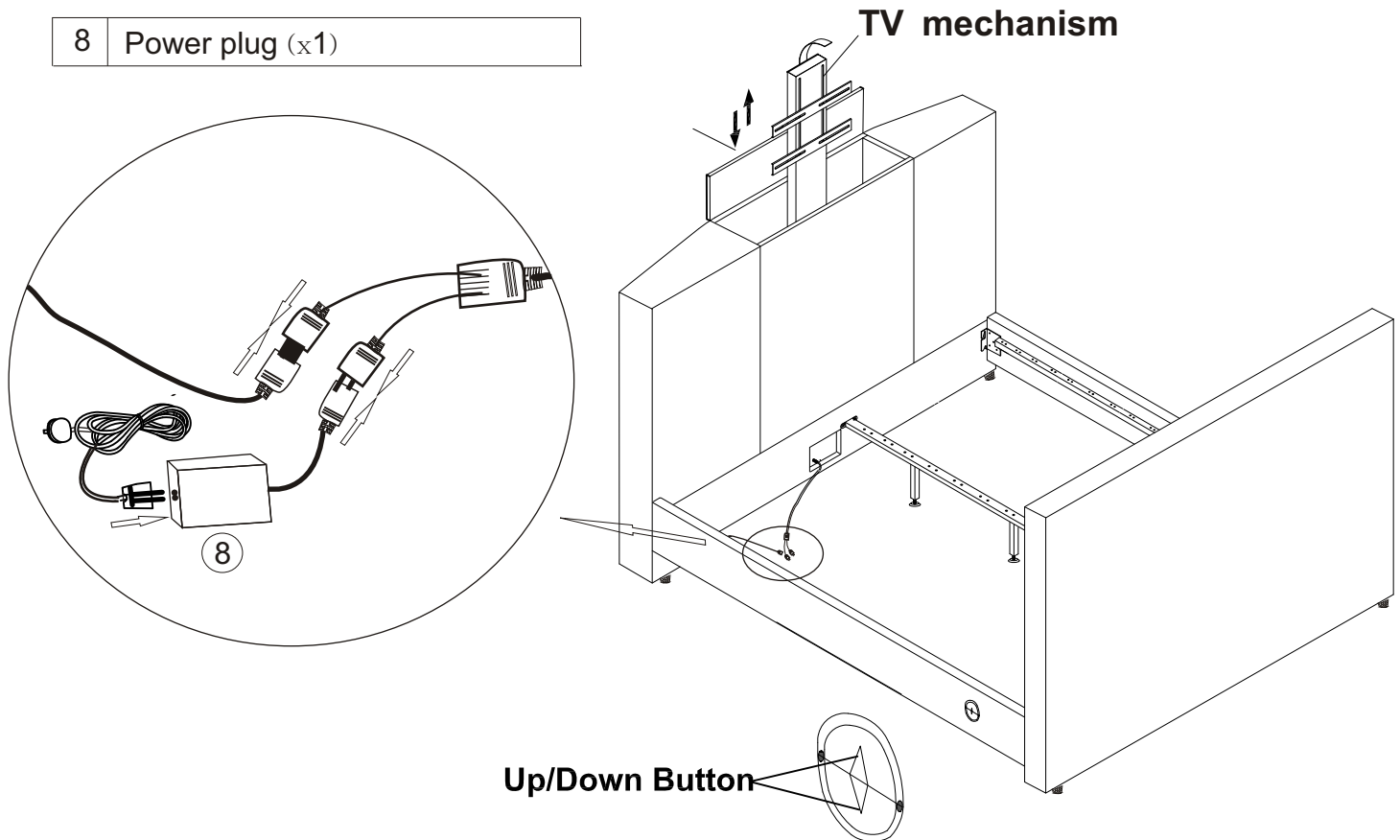
Attach the centre support bar(4)to the headboard (1) and footboard (2) using hardware parts A, F. **DO NOT use any power tools as this may damage the frame and will invalidate any claim.**



A	M8x30mm Bolts (x4)	
F	M5 Allen Key (x1)	
4	Centre Support Rail (x1)	

## Step 5

Connect the TV mechanism to the Up/Down Button, connect the TV mechanism to the Power plug (8).

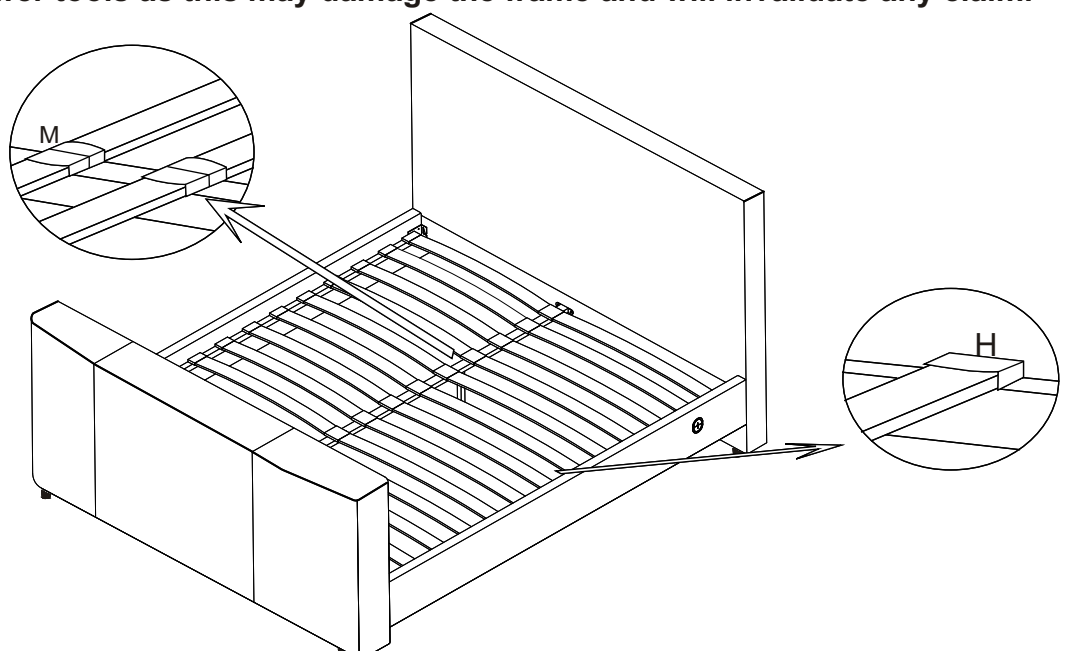


## Step 6

Place single slat caps (H) onto the end of each slat (7) then join the slats together with centre slat caps (M). Press firmly into the side rails (2) and centre support rail (4).

**DO NOT use any power tools as this may damage the frame and will invalidate any claim.**

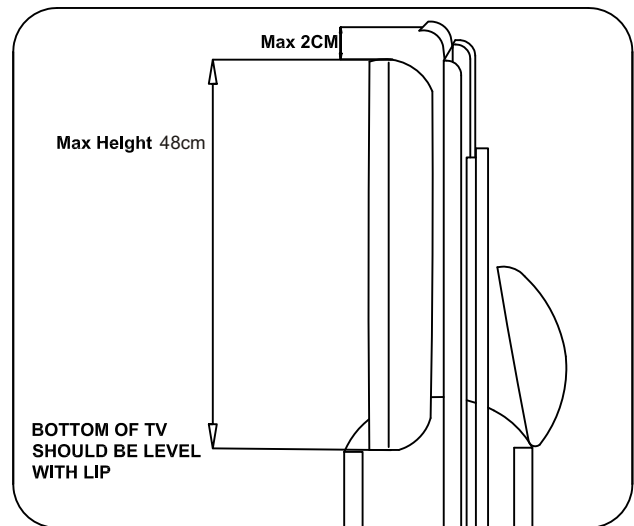
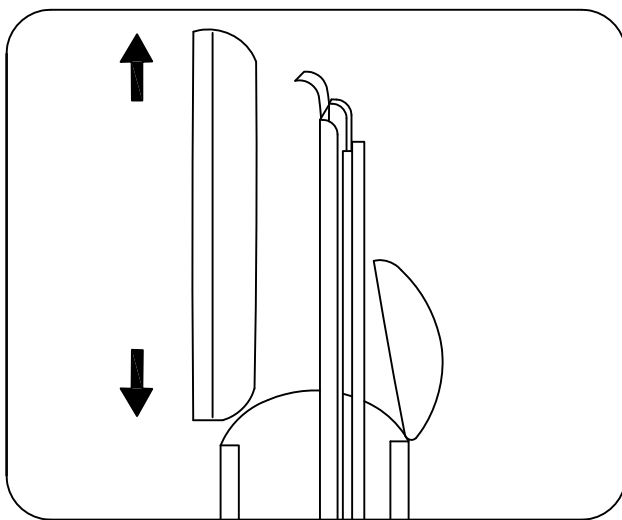
H	single slat caps (x28)
M	Centre Slat Caps (x14)



## Step 7

Step 7: Before fitting the TV to the bracket, please check your tv dimensions do not exceed the measurements specified below.

- Width = 88cm
- Depth = 6cm
- Height = 48cm

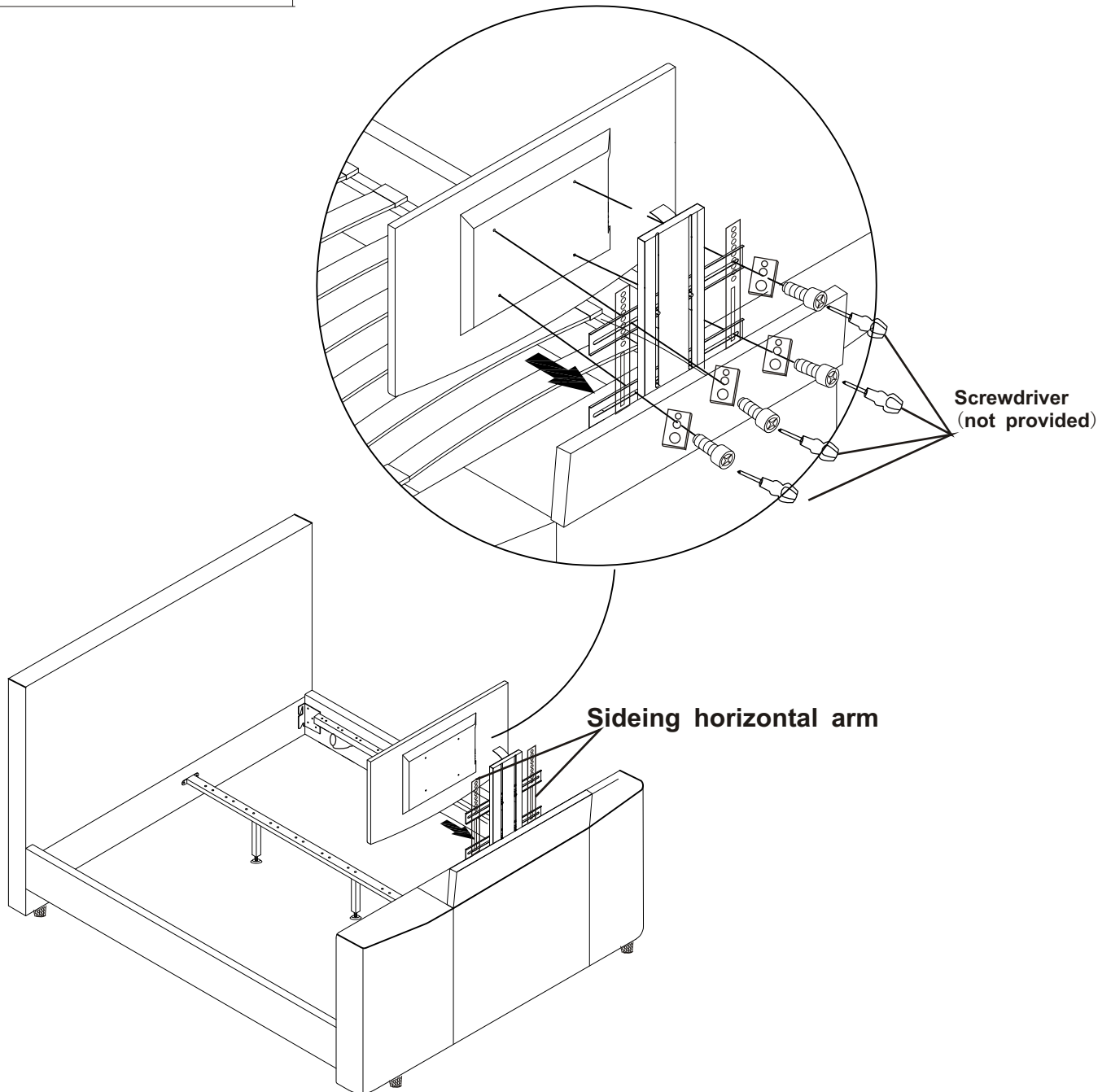


The TV mounting bracket is factory fitted. When you fit your TV please ensure it is level before using. Either use the fittings supplied by the TV manufacturer or the fittings from the TV installation kit provided with this purchase.

## Step 8

Attach the TV using the appropriate screws and adjust the sliding horizontal arm to sit neatly on top of the TV.

K Spare parts for TV



**IMPORTANT** Please ensure the bedframe is secure before fitting the TV. 2 Persons are required for this step.