

Birlea

Suppliers of inspiration

Assembly Instructions

Thank you for
purchasing a
Birlea product.

For a chance to win a *Love 2 Shop* voucher simply post a picture of your new product on your preferred social channels tagging Birlea Furniture and using the hashtag **#ShareYourStyle** and **#Birlea**. One winner will be selected at random each month.

To view our full terms and conditions please visit our website. www.birlea.com

Are you happy with your purchase?

Yes: That's great, we would love to hear more from you. Please leave us a review on our social media channels or Trustpilot. Your feedback will be greatly appreciated.

No: If for any reason there is something missing, indifferent or incorrect with your order, please contact the retailer you purchased the item from. We will work with the retailer to resolve your issue as quickly as possible.



www.birlea.com

ASSEMBLY INSTRUCTIONS
URBAN 2 DRAWER STUDY DESK RUSTIC

IMPORTANT : READ THESE INSTRUCTIONS CAREFULLY BEFORE ATTEMPTING TO ASSEMBLE OR USE YOUR URBAN 2 DRAWER STUDY DESK RUSTIC.

PLEASE KEEP THESE INSTRUCTIONS FOR FUTURE REFERENCE.

ASSEMBLY:

Assembly should be carried out with this item laying flat, not standing upright.

Assemble on a soft, clean surface to prevent damages.

To erase the numbers printed on the pieces, use the rubber inside the accessories pack.

HEALTH & SAFETY:

DO NOT use this product if any parts are missing, damaged or worn.

DO NOT use this product unless all fixings are secured.

Always use on a level, even surface.

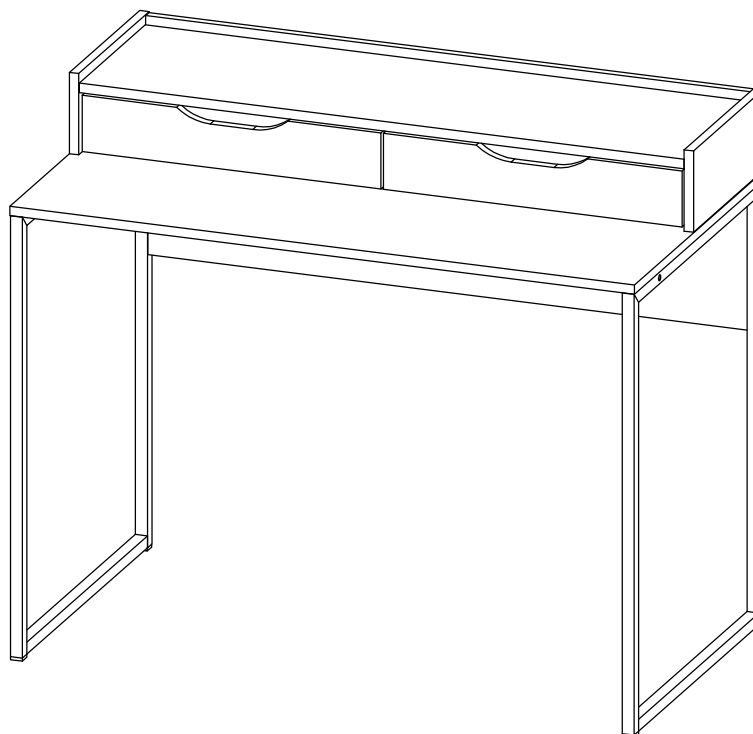
CARE & MAINTENANCE:

Periodically check all screws & fixings to ensure they are secure.

DO NOT push this product as this will cause damage.

Always lift this product with two people to repositions.

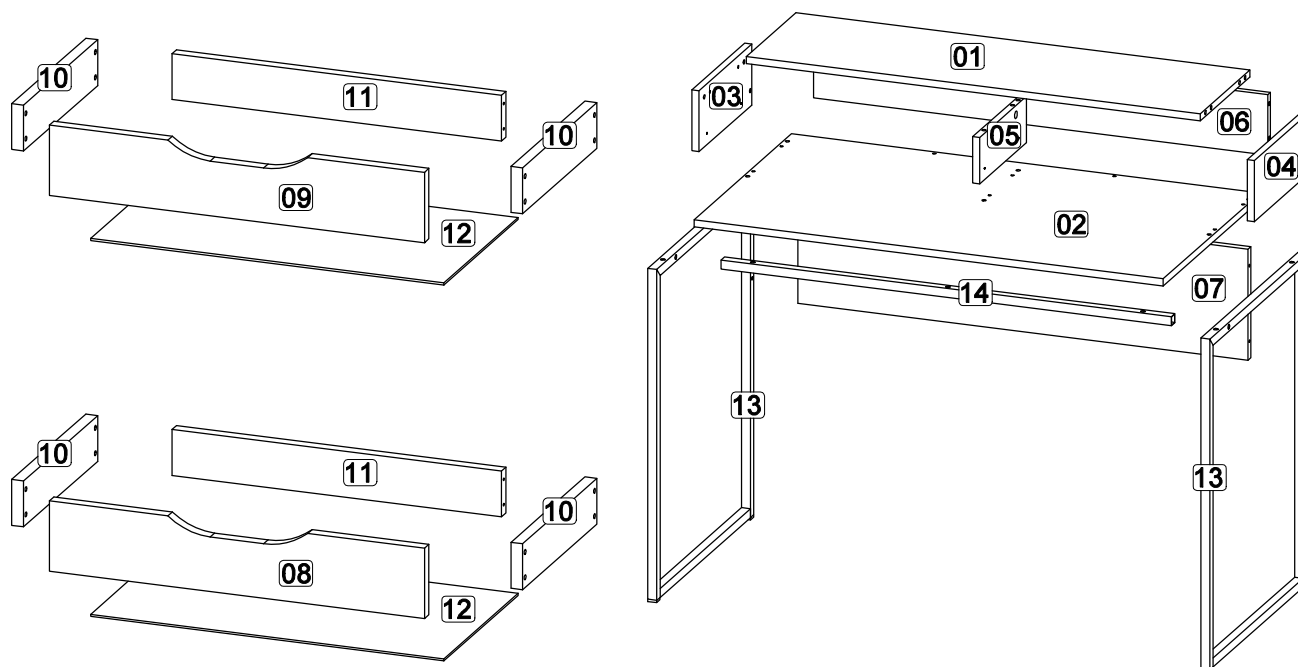
Keep any sharp objects away from this product.



Birlea

Suppliers of inspiration

www.birlea.com



Parts List			Hardware List		
Part	Description	Qty	Part	Description	Qty
01	Top Panel	1	A1	Cam lock 	6
02	Bottom Panel	1	A2	Minifix screw 	6
03	Side Panel (Left)	1	A3	Plastic cap 	6
04	Side Panel (Right)	1	B	M8 x 30mm Wood Dowel 	16
05	Center Panel	1	C	M6 x 50mm CSK Cap Wood screw 	10
06	Back Panel	1	D	Allen key M4 	1
07	Screen Board	1	E	M3.5 x 16mm C.B Screw 	24
08	Drawer Front (Left)	1	F	M4 x 38mm C.B Screw 	16
09	Drawer Front (Right)	1	G	5/8 Nail 	16
10	Drawer Side	4	H	JCBC Screw M6 x 30mm 	7
11	Drawer Back	2	I	JCBC Screw M6 x 40mm 	2
12	Drawer Bottom	2	J	JCBC W Screw M6 x 50mm 	4
13	Metal Leg	2	K1	10" Drawer slide (Left / Right) 	4
14	Metal Support	1	K2	10" Drawer slide (Left / Right) 	4

**** You will need a small mallet and a screwdriver for assembly.**

**** Some screws and wooden dowel may remain.**

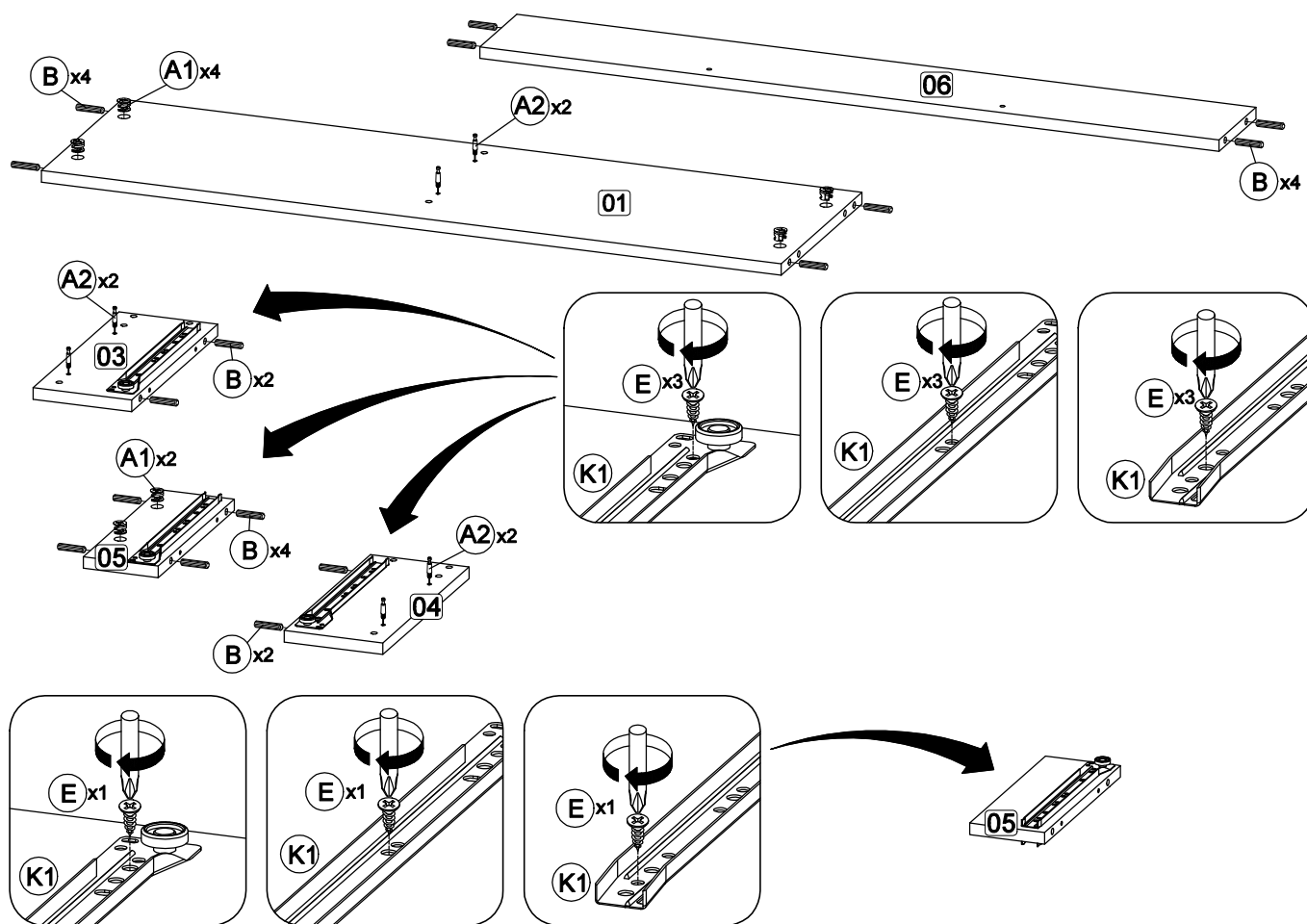


Birlea

Suppliers of inspiration

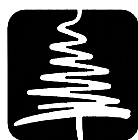
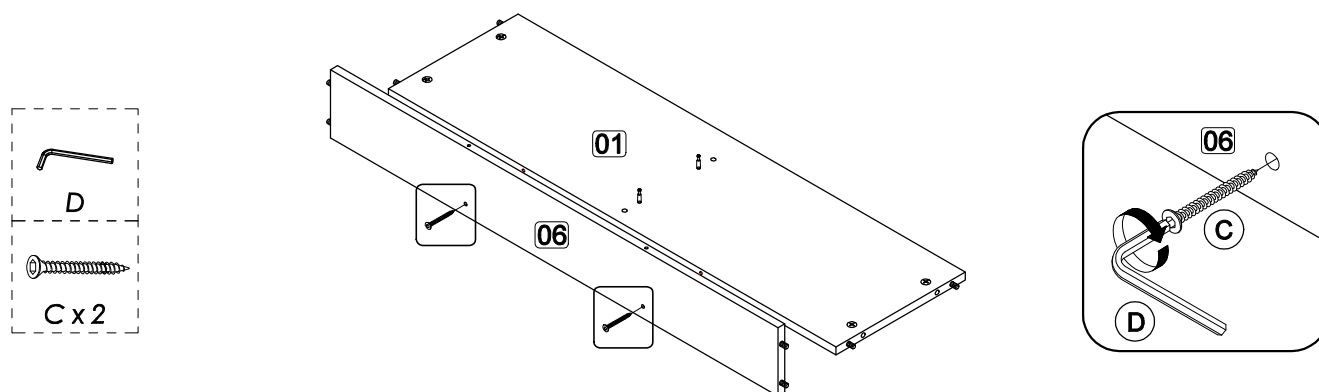
Step 1: Prepare these parts for assembly using hardware parts A1, A2, B, E and K1.

DO NOT use any power tools as this may damage the frame and will invalidate any claim.



Step 2: Attach back panel (6) to top panel (1) using hardware C and D.

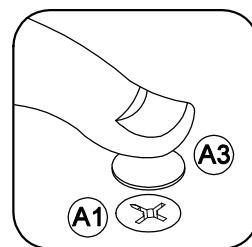
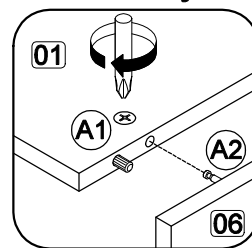
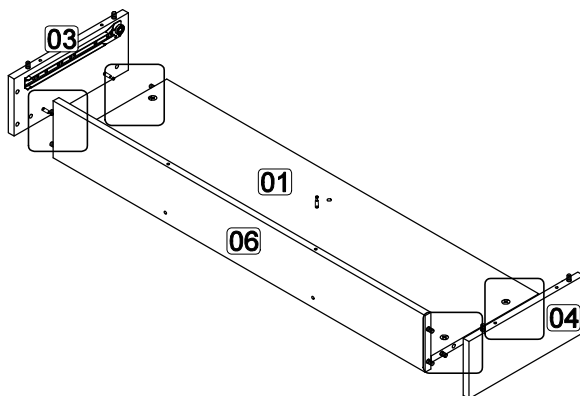
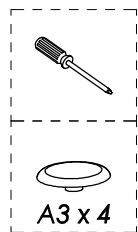
DO NOT use any power tools as this may damage the frame and will invalidate any claim.



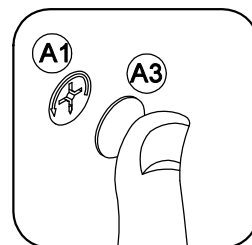
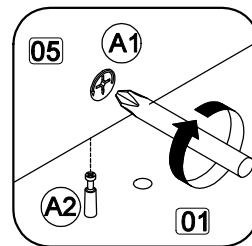
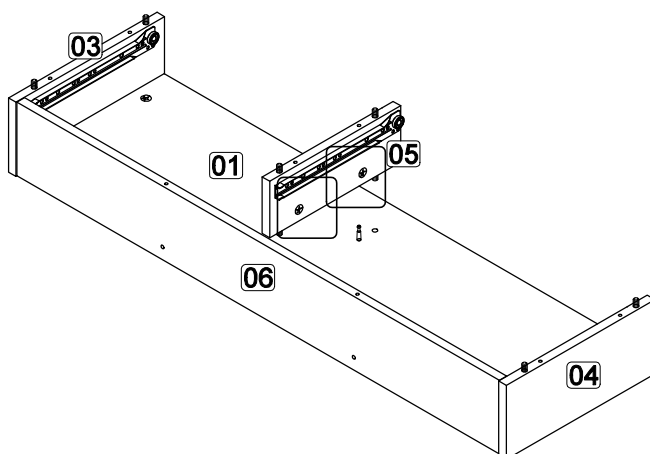
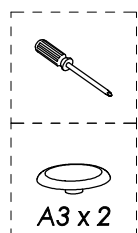
Birlea

Suppliers of inspiration

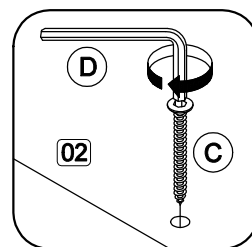
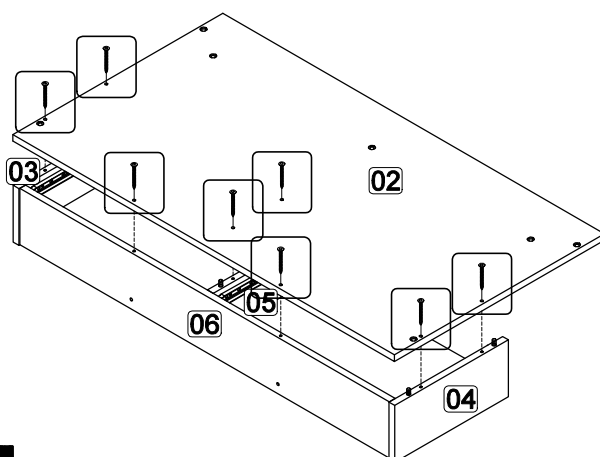
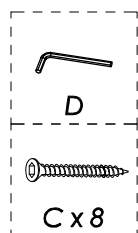
**Step 3: Attach side panel (left) (3) and side panel (right) (4) to top panel (1) and back panel (6) using hardware A1 and A2 with a screwdriver. (not provided).
DO NOT use any power tools as this may damage the frame and will invalidate any claim.**



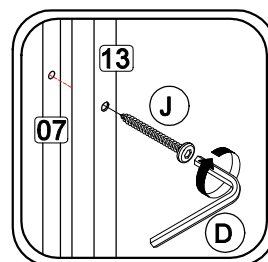
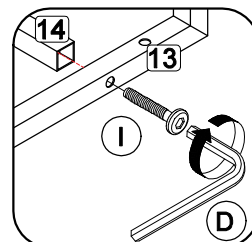
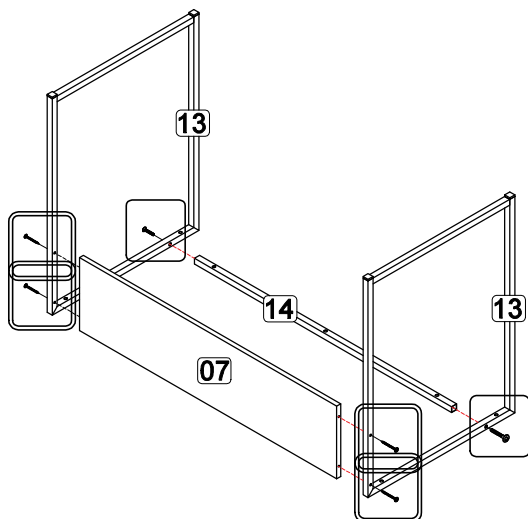
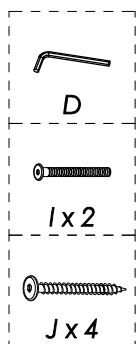
**Step 4: Attach center panel (5) to top panel (1) using hardware A1 and A2 with a screwdriver. (not provided).
DO NOT use any power tools as this may damage the frame and will invalidate any claim.**



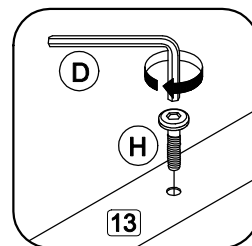
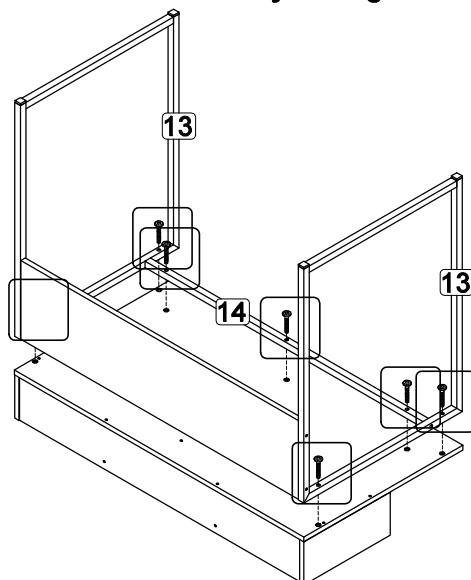
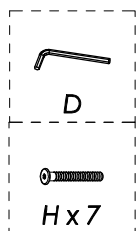
**Step 5: Attach bottom panel (2) to side panel (left) (3), side panel (right) (4), center panel (5) and back panel (6) using hardware C and D.
DO NOT use any power tools as this may damage the frame and will invalidate any claim.**



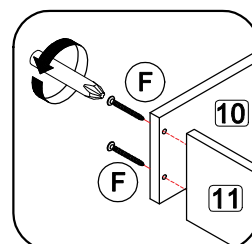
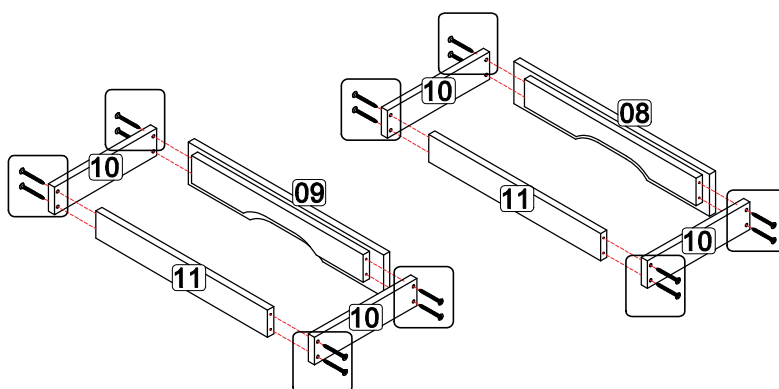
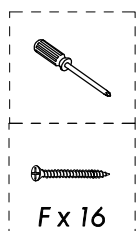
Step 6: Attach metal leg (13) to screen board (7) using hardware D and J.
 Attach metal leg (13) to metal support (14) using hardware D and I.
DO NOT use any power tools as this may damage the frame and will invalidate any claim.



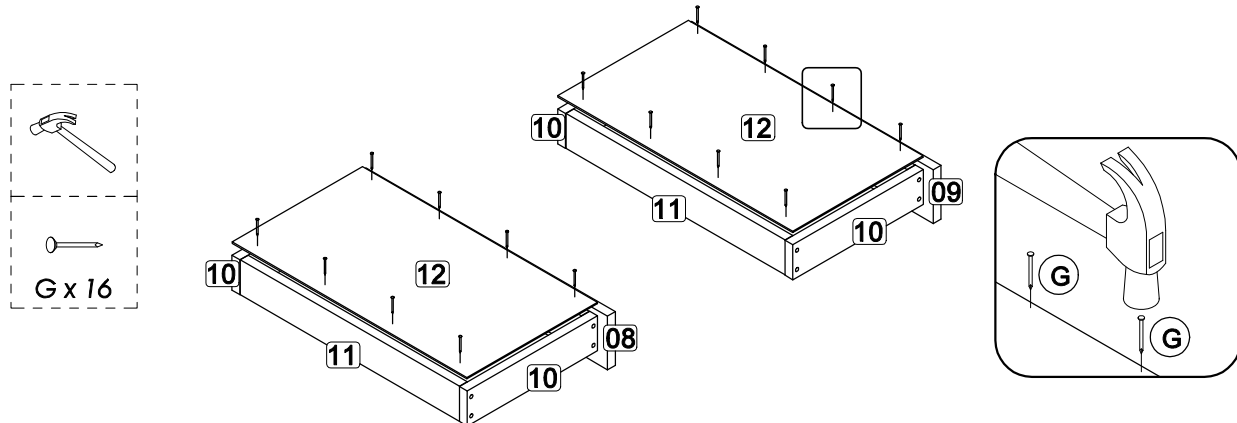
Step 7: Attach metal leg (13) and metal support (14) to bottom panel (2) using hardware D and H.
DO NOT use any power tools as this may damage the frame and will invalidate any claim.



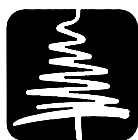
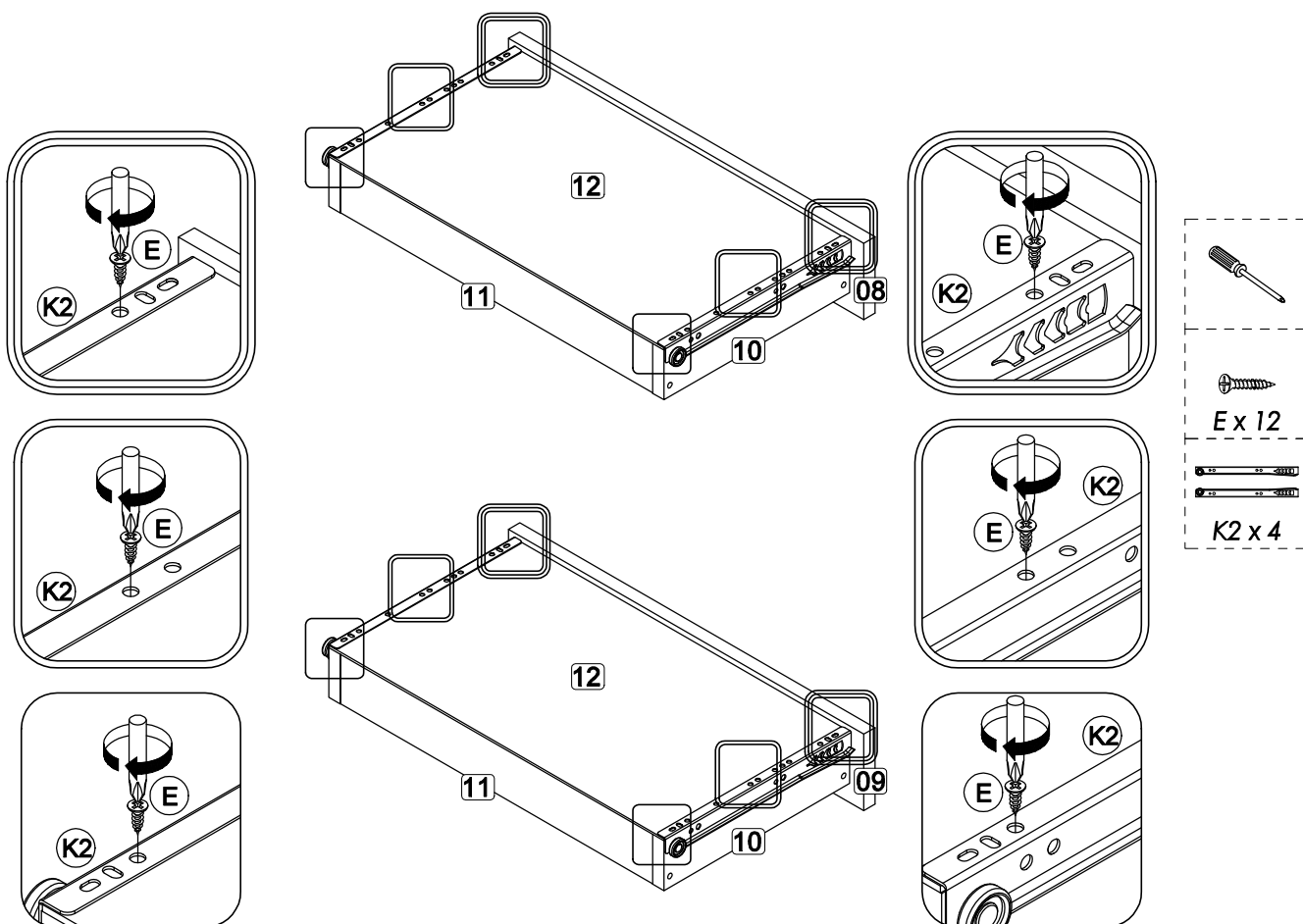
Step 8: Attach drawer side (10) to drawer back (11), drawer front (left) (8) and drawer front (right) (9) using hardware F with a screwdriver. (not provided).
DO NOT use any power tools as this may damage the frame and will invalidate any claim.



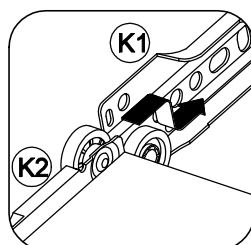
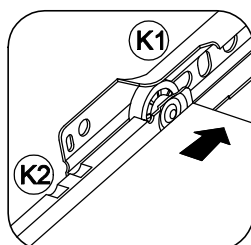
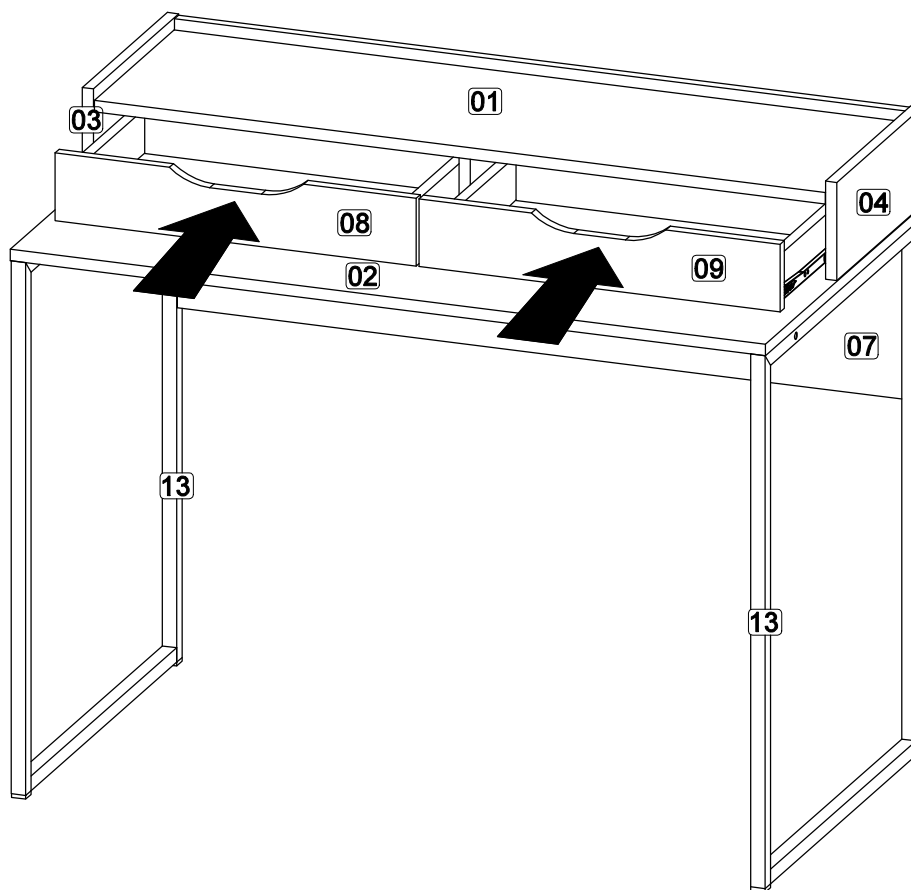
Step 9: Attach drawer bottom (12) to drawer front (left) (8), drawer front (right) (9), drawer back (11) and drawer side (10) using hardware G with a hammer. (not provided).
DO NOT use any power tools as this may damage the frame and will invalidate any claim.



Step 10: Assemble the drawer components using hardware E and K2 with a screwdriver. (not provided)..
DO NOT use any power tools as this may damage the frame and will invalidate any claim.



Step 11: Assemble the drawers in place along the drawer slides.
DO NOT use any power tools as this may damage the frame and will invalidate any claim.



- For complete product information, images and dimension diagrams please visit the website www.birlea.com
- If you have any issues with your item please contact the retailer directly you purchased it from who will be able to resolve any issues with Birlea.
- Why don't you send us photos of your assembled furniture to info@birlea.com to be shared in our #birleahome feature on instagram.



Birlea

Suppliers of inspiration