



Birlea

Suppliers of inspiration

Assembly Instructions

Thank you for purchasing a Birlea product.

For a chance to win a Love 2 Shop voucher simply post a picture of your new product on your preferred social channels tagging Birlea Furniture and using the hashtag #ShareYourStyle and #Birlea. One winner will be selected at random each month.

To view our full terms and conditions please visit our website. www.birlea.com

Are you happy with your purchase?

Yes: That's great, we would love to hear more from you. Please leave us a review on our social media channels or Trustpilot. Your feedback will be greatly appreciated.

No: If for any reason there is something missing, indifferent or incorrect with your order, please contact the retailer you purchased the item from. We will work with the retailer to resolve your issue as quickly as possible.



www.birlea.com



Birlea

Suppliers of inspiration

Assembly Video

For a step by step guide on how to build our Shard TV Unit visit our YouTube channel 'BirleaFurnitureLtd' or alternatively scan the below code on your smart phone.



How to scan a QR code from an apple device

Step One: Open up the camera app

Step Two: Hold the device's camera up to the QR code

Step Three: Your Apple device will automatically recognise the QR code and provide you with a link to the video

How to scan a QR code from an android device

Step One: Download the QR Code reader application from the Play Store.

Step Two: Open the QR code application and open the camera.

Step Three: Your Android device will automatically recognise the QR code and provide you with a link to the video

How to scan a QR code from a Windows device

Step One: Open up the camera app

Step Two: Hold the device's camera up to the QR code

Step Three: Your Windows device will automatically recognise the QR code and provide you with a link to the video



Birlea

Suppliers of inspiration

Vendor: S000139



ASSEMBLY INSTRUCTIONS SHARD TV UNIT

IMPORTANT: READ THESE INSTRUCTIONS CAREFULLY BEFORE ASSEMBLING OR USING YOUR SHARD TV UNIT.

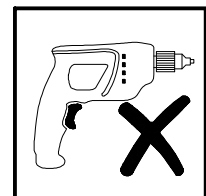
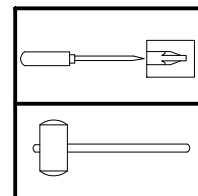
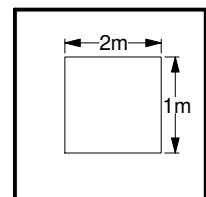
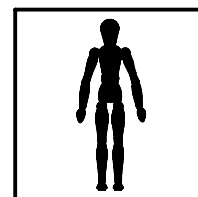
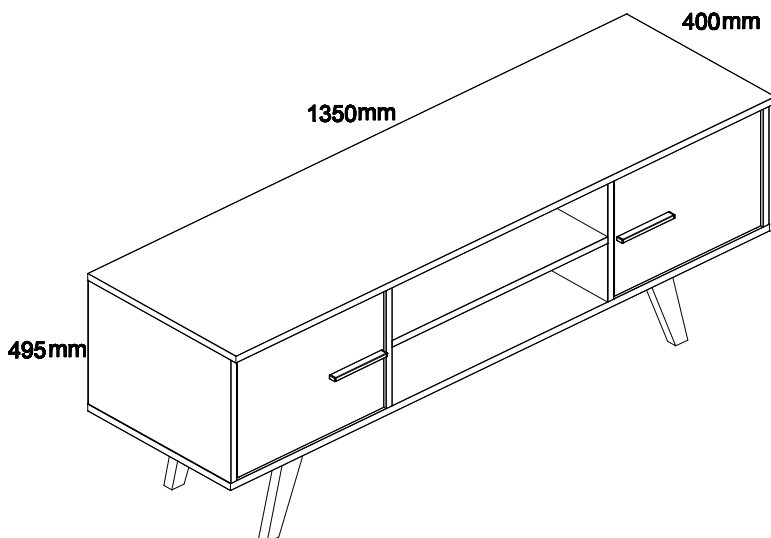
PLEASE KEEP THESE INSTRUCTIONS FOR FUTURE REFERENCE.

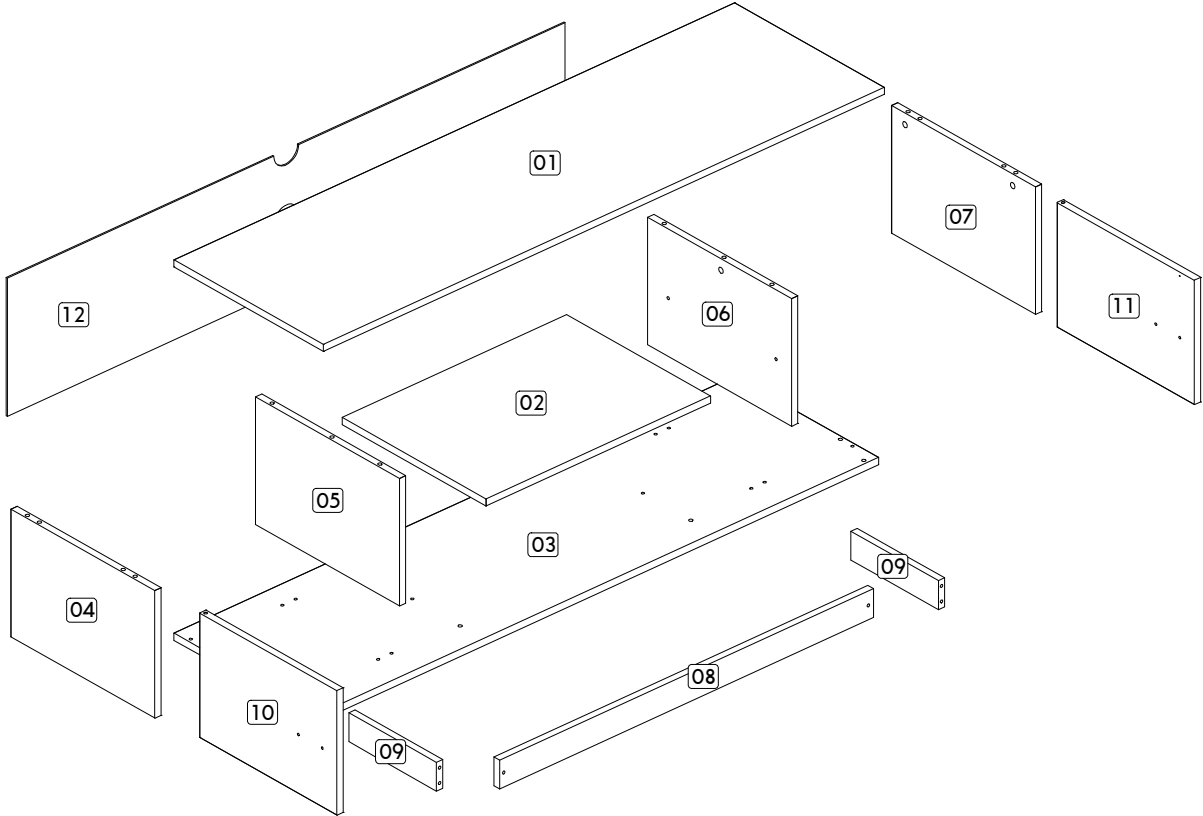
HEALTH & SAFETY:

DO NOT use this item if any parts are missing, damaged or worn.
DO NOT use this item unless all fixings are secured.
Please keep small parts out of reach of children
Always use on a level, even surface.

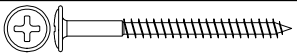
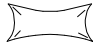






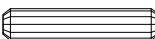
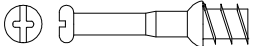


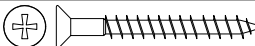


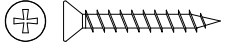
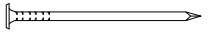
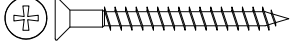





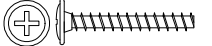
CARE & MAINTENANCE:

Assemble in the room of use
Assembly should be carried out with this item laying flat, not standing upright.
Assemble on a soft, clean surface to prevent damages.
To remove the printed numbers on the pieces, use the eraser provided
Periodically check all screws & fixings to ensure they are secure.
DO NOT push the item as this will damage the base.
Always lift the item with two people to reposition.
Keep any sharp objects away from the item.

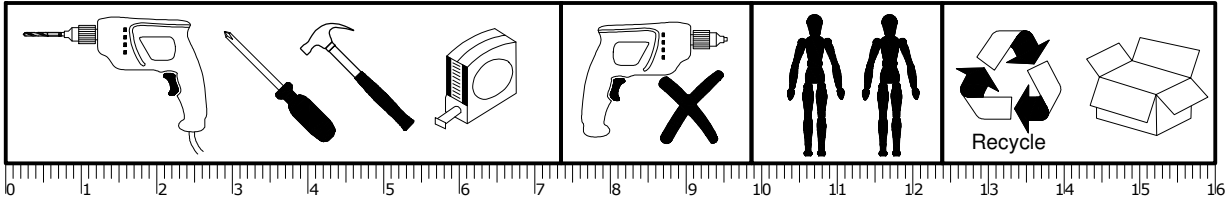




Parts List			
Part	Description	Box	Qty
1	Top Base	1	1
2	Shelf	1	1
3	Bottom Base	1	1
4	Left Side	1	1
5	Left Division	1	1
6	Right Division	1	1
7	Right Side	1	1
8	Front foot tray	1	1
9	Side foot tray	1	2
10	Left Door	1	1
11	Right Door	1	1
12	Backboard	1	1

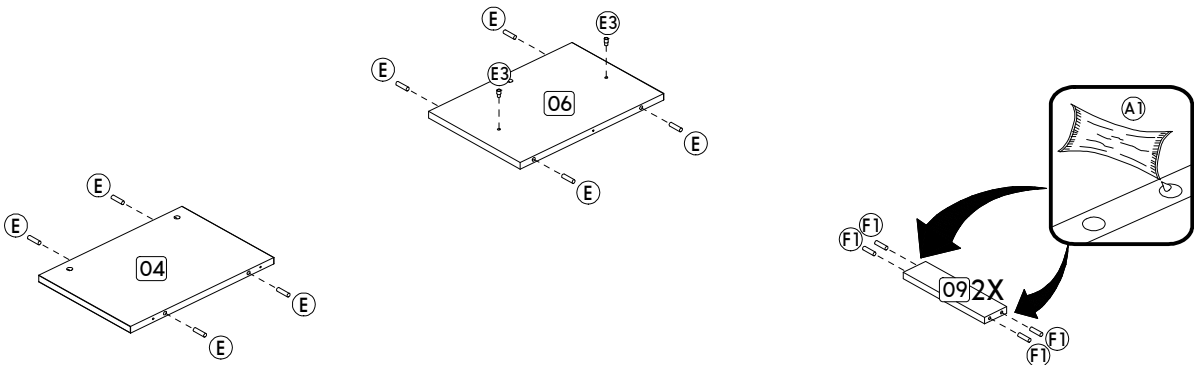
Hardware List			
Part	Description		Qty
A	5,0 x 60 mm Screw		1
A1	Glue		1
A4	22 x 22mm metal bracket		1
B3	Bushing		1
E	8 x 30 mm Wooden Dowel		16
E3	Shelf Bracket		4
E6	Hinge pin		4
E9	Strap		1
F1	6 x 30 mm Wooden Dowel		8
J	Simple Minifix Screw		6
J3	Magnetic clasp		2
K2	Metallic plate		2
K6	4,5 x 40 mm Screw		8
L	Cam Lock		6
M	Bore patch adhesive		6
M1	3,5 x 25 mm Screw		2
N	10 x 10 mm Tack		26
O	4,5 x 45 mm Screw		6
o6A	Foot 1		2
o6B	Foot 2		2
P7	Handle		2
Q	3,0 x 14 mm Screw		2
S	3,5 x 14 mm Screw		7
T	3,5 x 25 mm Screw		4

- ** You will need a small mallet and a screwdriver for assembly.
- ** Some screws and wooden dowel may remain.
- ** Wall plug and screw is supplied to attach strap to the wall.



Step 1: Insert hardware parts E and E3 using small mallet (not provided), then insert the hardware part F1 to the side foot trai using hardware A1 and a small mallet (not provided).

DO NOT use any power tools as this may damage the frame and will invalidate any claim.



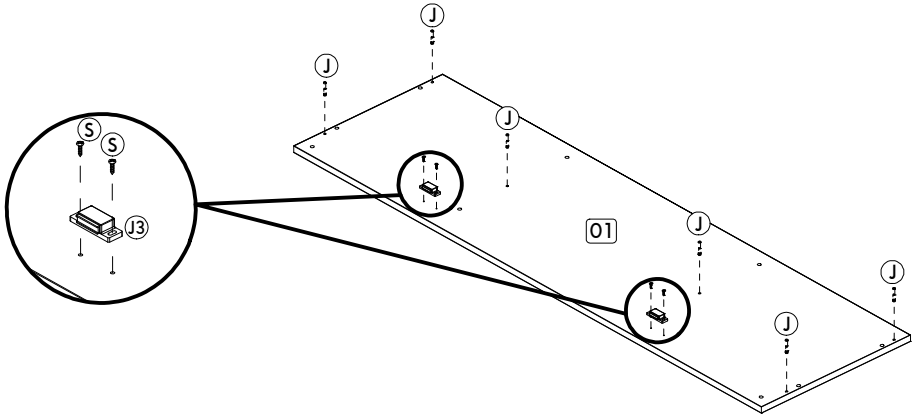
Step 2: Insert hardware parts E and E3 using small mallet (not provided).

DO NOT use any power tools as this may damage the frame and will invalidate any claim.

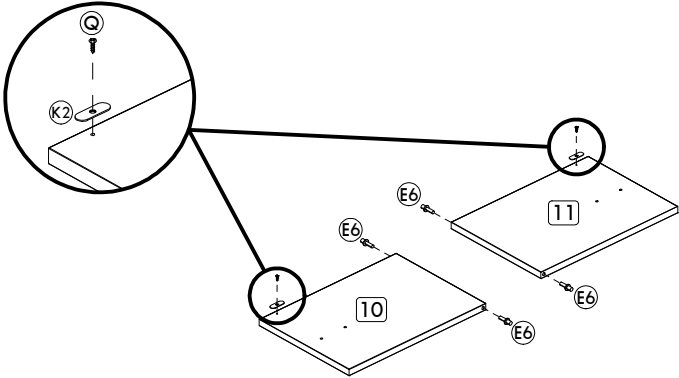


Step 3: Attach hardware part J to the top base (1) using a screwdriver (not provided), then attach hardware part J3 using the hardware part S and a screwdriver (not provided).

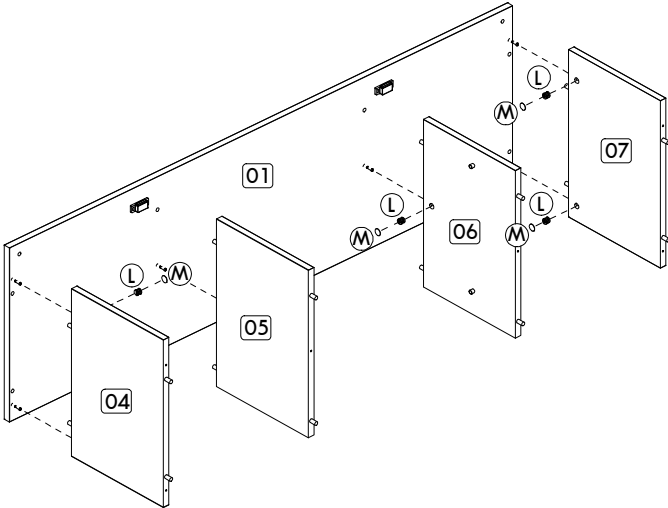
DO NOT use any power tools as this may damage the frame and will invalidate any claim.



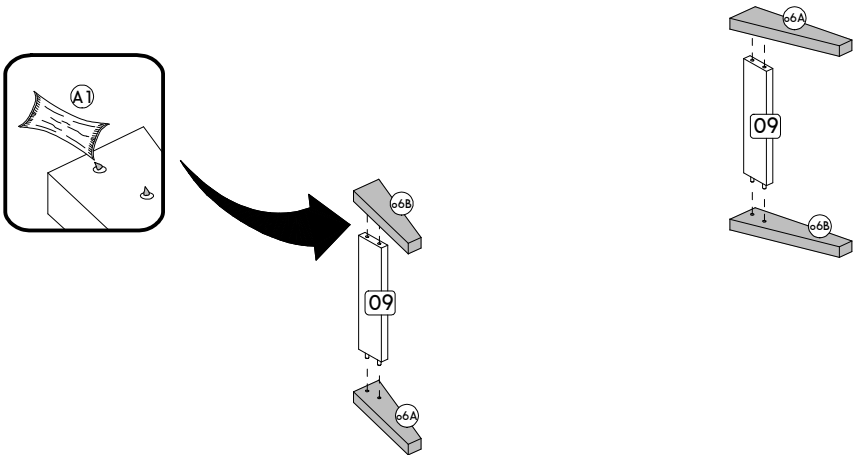
Step 4: Attach hardware part K2 using hardware part Q and screwdriver (not provided). Insert hardware part E6 using a small malet (not provided).
DO NOT use any power tools as this may damage the frame and will invalidate any claim.



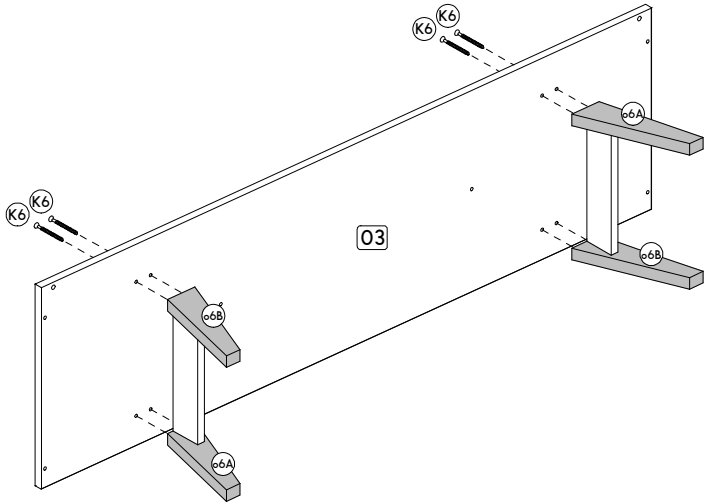
Step 5: Attach the left side (4), left division (5), right division (6) and right side (7) to the top base (1) using the hardware part L and a screwdriver (not provided)
DO NOT use any power tools as this may damage the frame and will invalidate any claim.



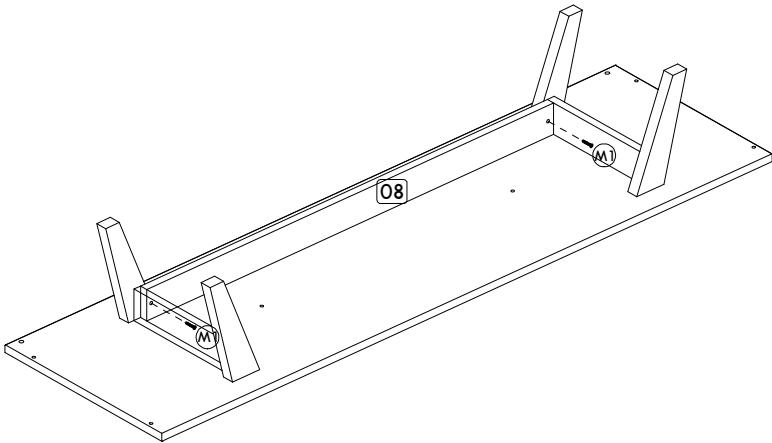
Step 6: Connect the hardware part o6A and o6B to the side foot frames (9) using hardware part A1 to fix.
DO NOT use any power tools as this may damage the frame and will invalidate any claim.



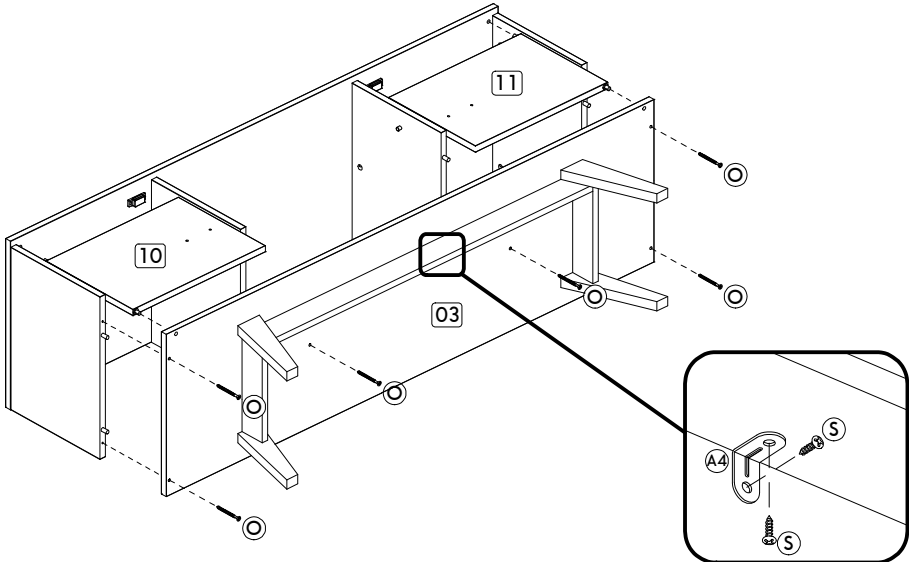
Step 7: Attach the bottom base (3) to the hardware part o6B and o6A using hardware part K6 and a screwdriver (not provided).
DO NOT use any power tools as this may damage the frame and will invalidate any claim.



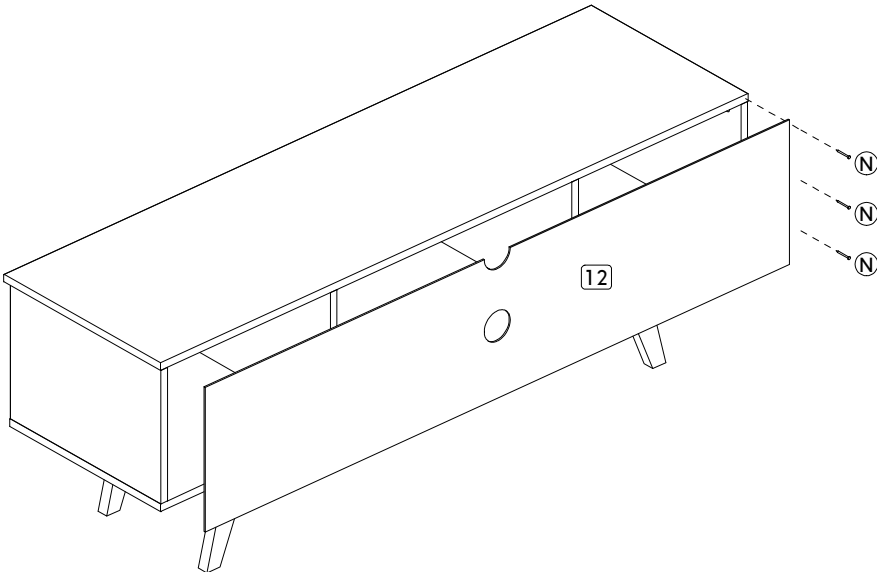
Step 8: Attach the front foot tray (8) to the hardware part o6B and o6A using hardware part M1 and a screwdriver (not provided).
DO NOT use any power tools as this may damage the frame and will invalidate any claim.



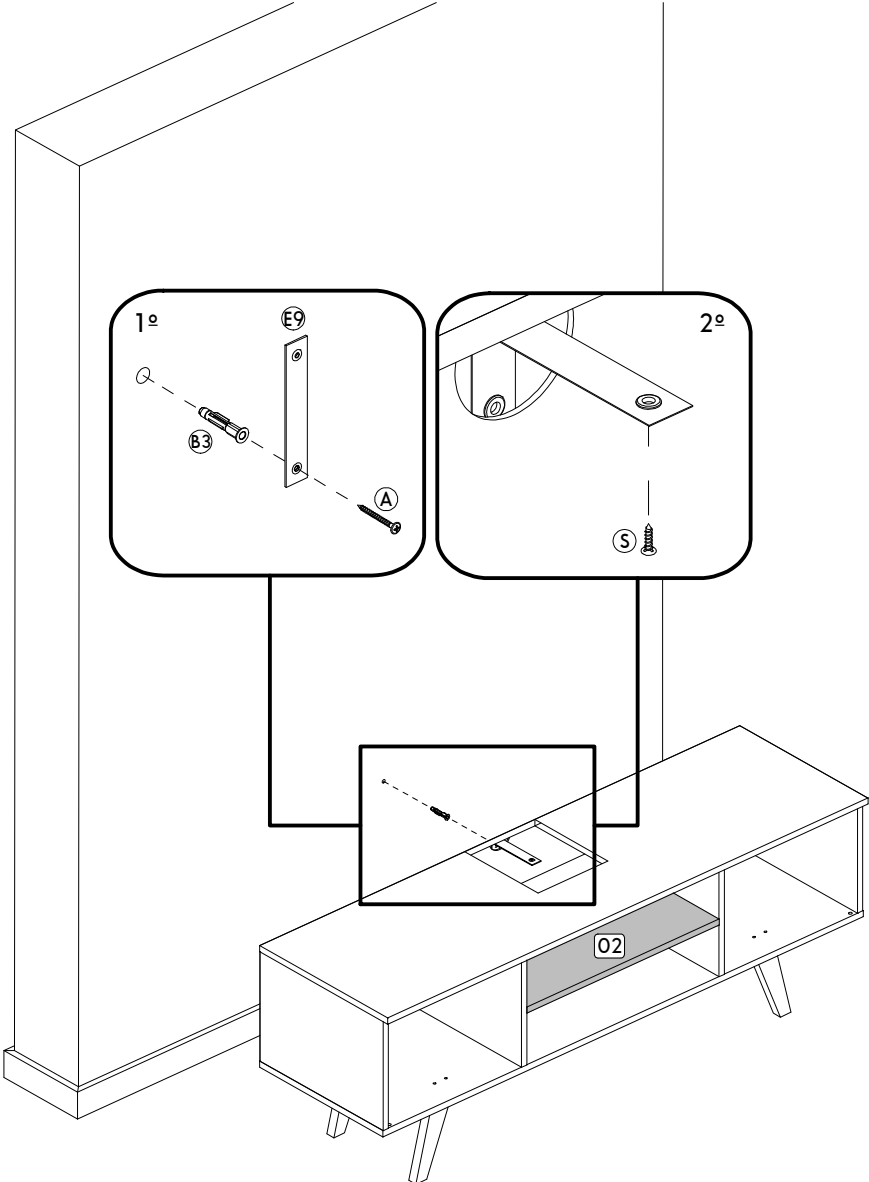
Step 9: Connect the left door (10) and the right door (11) then attach the bottom base (3) using a hardware part O and a screwdriver (not provided). Then attach the hardware part A4 to the bottom base (3) and the front foot tray (8) using the hardware part S and a screwdriver (not provided).
DO NOT use any power tools as this may damage the frame and will invalidate any claim.



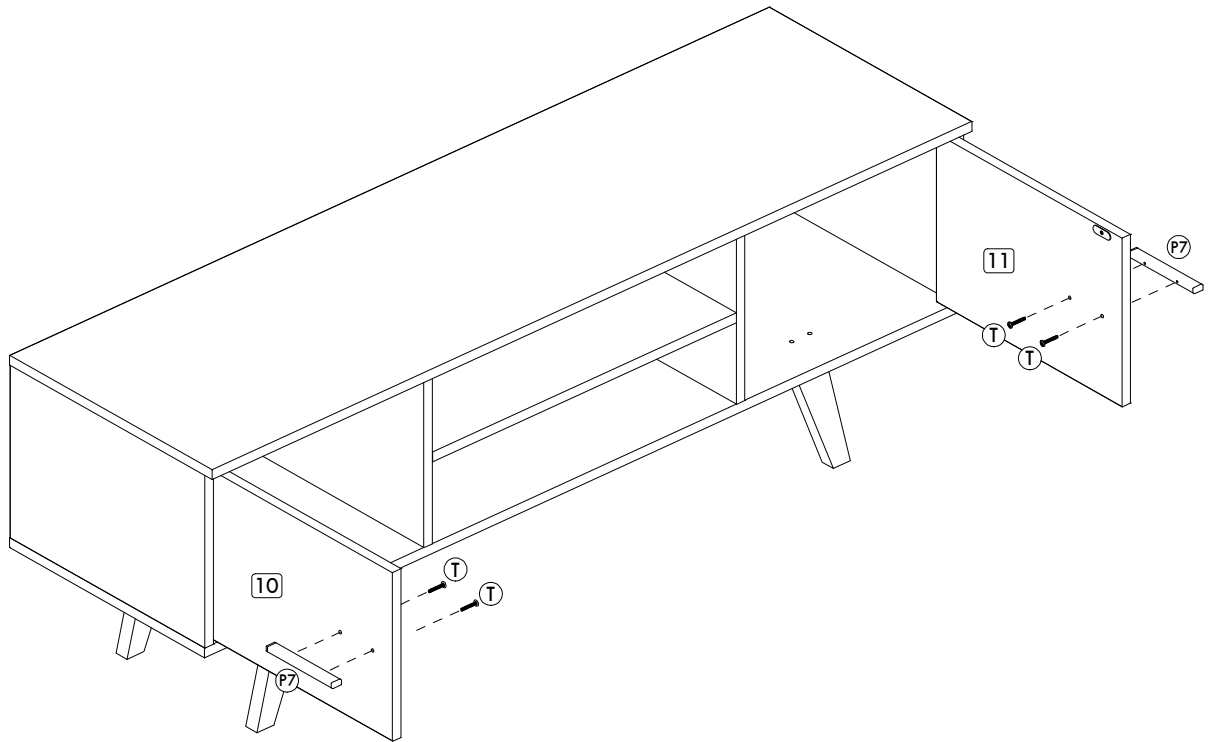
Step 10: Attach the backboard (12) using the hardware part N and a small mallet (not provided). **DO NOT use any power tools as this may damage the frame and will invalidate any claim.**



Step 11: To secure the item to the wall use hardware part A, B3 and E9 using a screwdriver (not provided), then attach the hardware part S to the item with a screwdriver (not provided). Insert the lower shelf (2). **DO NOT use any power tools as this may damage the frame and will invalidate any claim.**



Step 12: Attach the hardware P7 to the left door (10) and right door (11) using the hardware part T and a screwdriver (not provided).
DO NOT use any power tools as this may damage the frame and will invalidate any claim.



Additional Information:

- For complete product information, images and dimension diagrams please visit the website www.birlea.com
- If you have any issues with your item please contact the retailer directly you purchased it from who will be able to resolve any issues with Birlea.
- Why don't you send us photos of your assembled furniture to info@birlea.com to be shared in our #birleahome feature on Instagram.



Birlea

Suppliers of inspiration