

## **ASSEMBLY INSTRUCTIONS**

### **SANTIAGO 2+2 CHEST**

**IMPORTANT: READ THESE INSTRUCTIONS CAREFULLY BEFORE ASSEMBLING OR USING YOUR SANTIAGO 2+2 CHEST.**

**PLEASE KEEP THESE INSTRUCTIONS FOR FUTURE REFERENCE.**

#### **HEALTH & SAFETY:**

DO NOT use this item if any parts are missing, damaged or worn.

DO NOT use this item unless all fixings are secured.

Please keep small parts out of reach of children.

Always use on a level, even surface.

It is recommended that two people handle and assemble the item.

Birlea advise you use the wall straps provided to further enhance the safety of this product.

#### **CARE & MAINTENANCE:**

Assemble in the room of use.

To avoid damages assemble the item on a soft, clean surface

Periodically check all screws & fixings to ensure they are secure.

DO NOT push the item as this will damage the base.

Always lift the item with two people to reposition.

Keep any sharp objects away from the item.

This product is manufactured in pine which is a wood with natural characteristics including knots, grains, clusters or indentations.

On unpacking the item you may notice an odour due to production processes but this will disappear after a period of time.

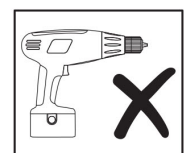
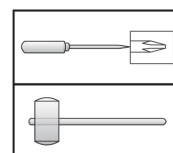
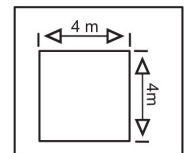
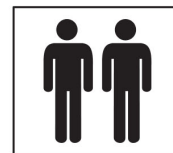
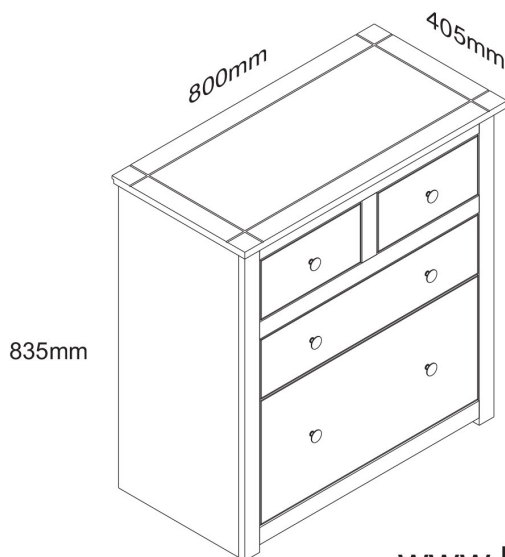
DO NOT place the item next to a radiator or direct sunlight – this item is susceptible to temperature change.

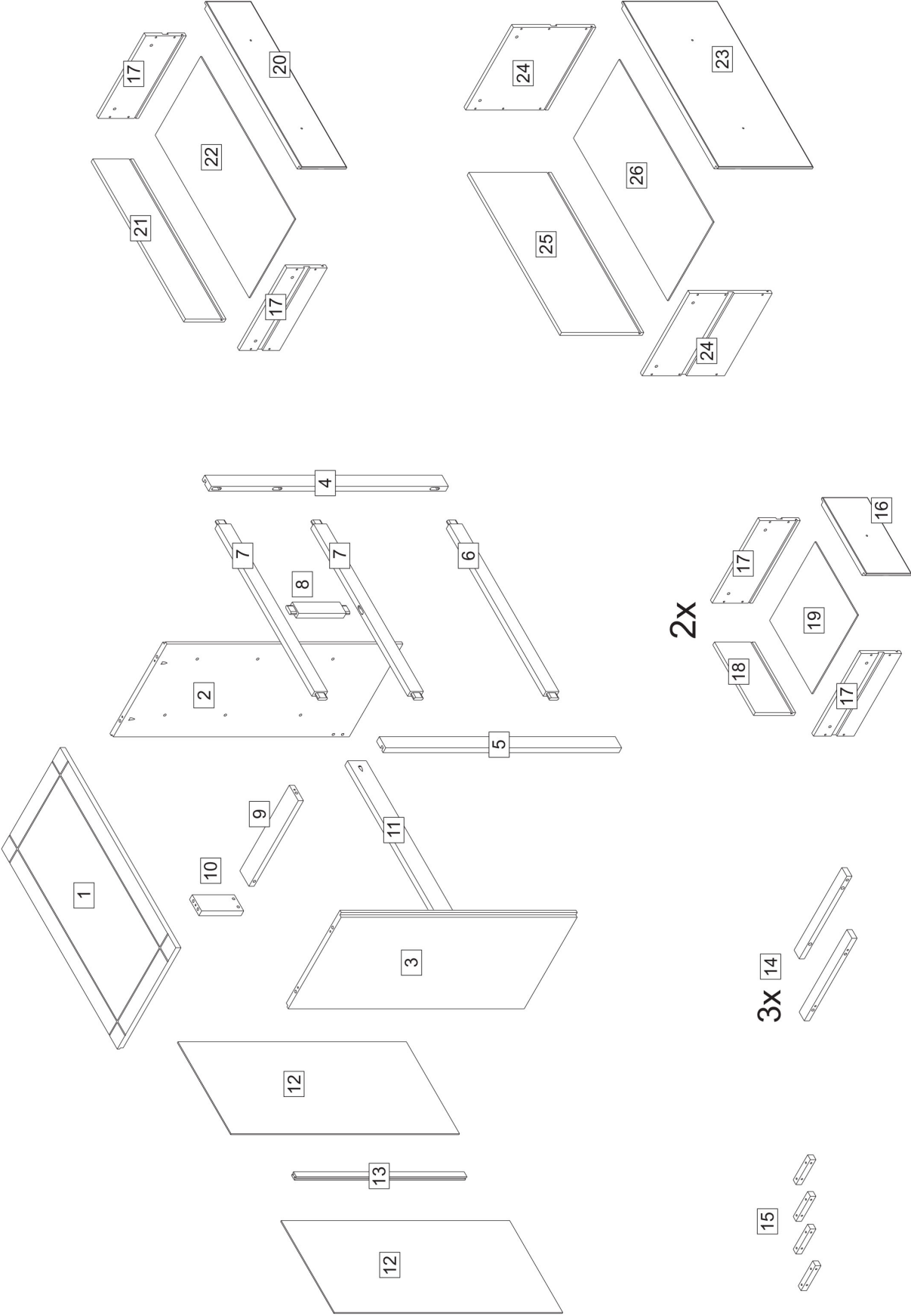
It is recommended an even room temperature be maintained with no sudden fluctuations.

DO NOT place hot or cold items directly onto the surface of the item as marking will occur

For general cleaning use a duster or damp cloth (almost dry) not wet – do not use soap and water, detergents, aerosol sprays or any polish as use of these materials would invalidate any claims.

DO NOT place the item onto wet or damp flooring as staining may occur to the floor.



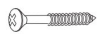










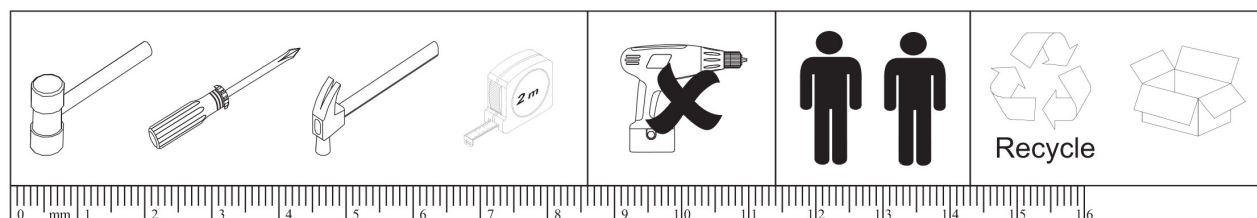
2X

3X

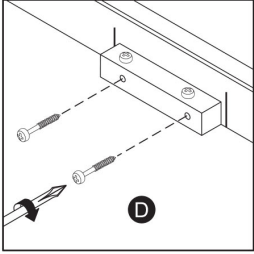
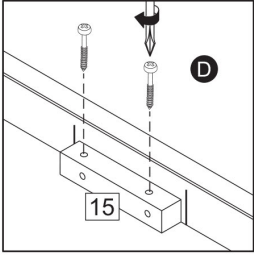
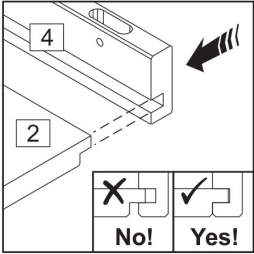
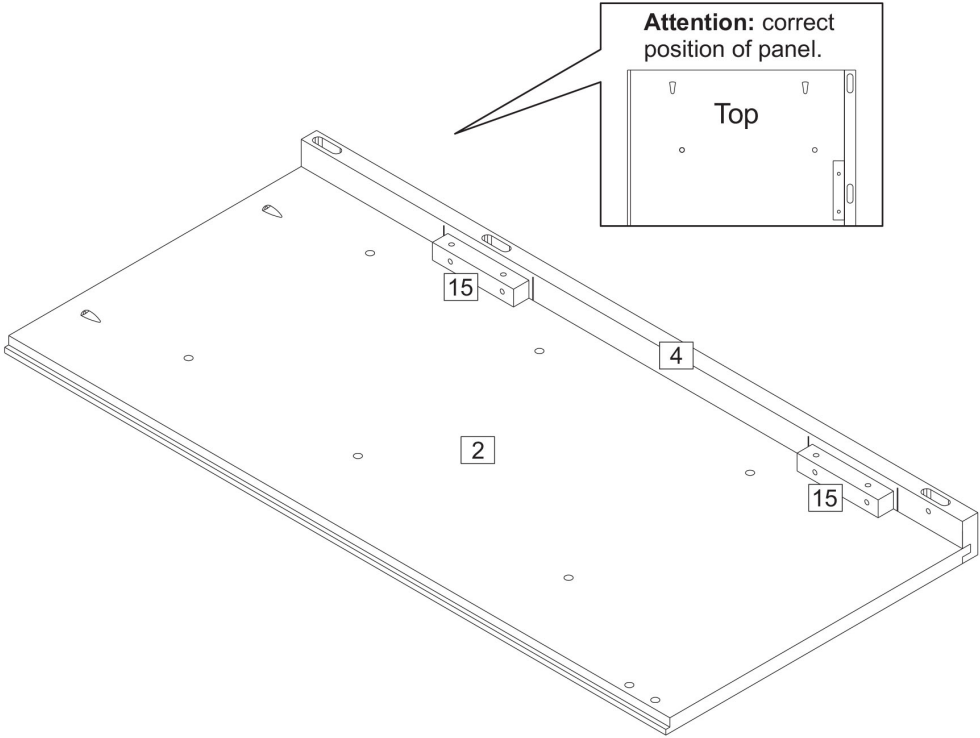
| PARTS LIST |                      |     |
|------------|----------------------|-----|
| Part       | Item                 | Qty |
| 1          | Top Panel            | 1   |
| 2          | Right Panel          | 1   |
| 3          | Left Panel           | 1   |
| 4          | Right Front Frame    | 1   |
| 5          | Left Front Frame     | 1   |
| 6          | Bottom Front Frame   | 1   |
| 7          | Top Front Frame      | 2   |
| 8          | Middle Front Frame   | 1   |
| 9          | Middle Drawer Runner | 1   |
| 10         | Back column          | 1   |
| 11         | Rear Base Plinth     | 1   |
| 12         | Back Panel           | 2   |
| 13         | Spine                | 1   |
| 14         | Side Drawer Runner   | 6   |
| 15         | Cleat                | 4   |
| 16         | Top drawer front     | 2   |
| 17         | Small drawer side    | 6   |
| 18         | Top drawer back      | 2   |
| 19         | Top drawer bottom    | 2   |
| 20         | Middle drawer front  | 1   |
| 21         | Middle drawer back   | 1   |
| 22         | Middle drawer bottom | 1   |
| 23         | Bottom drawer front  | 1   |
| 24         | Larger drawer side   | 2   |
| 25         | Bottom drawer back   | 1   |
| 26         | Bottom drawer bottom | 1   |

| HARDWARE LIST |  |     |
|---------------|--|-----|
| Part          | Item   | Qty |
| A             | Wooden dowel  | 41  |
| B             | 14mm Screw    | 5   |
| C             | 30mm Screw    | 36  |
| D             | 35mm Screw    | 37  |
| E             | 19mm Bolt     | 6   |
| F             | Handle        | 6   |
| G             | Tack          | 24  |
| H             | Wall Strap    | 1   |
| J             | Washer        | 2   |

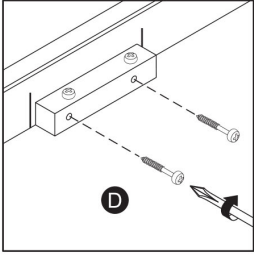
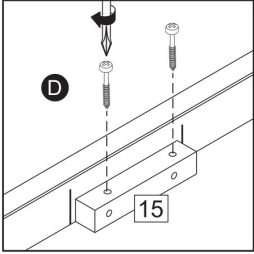
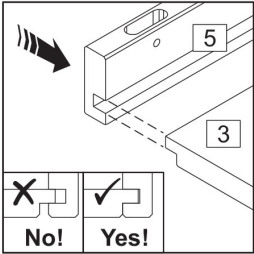
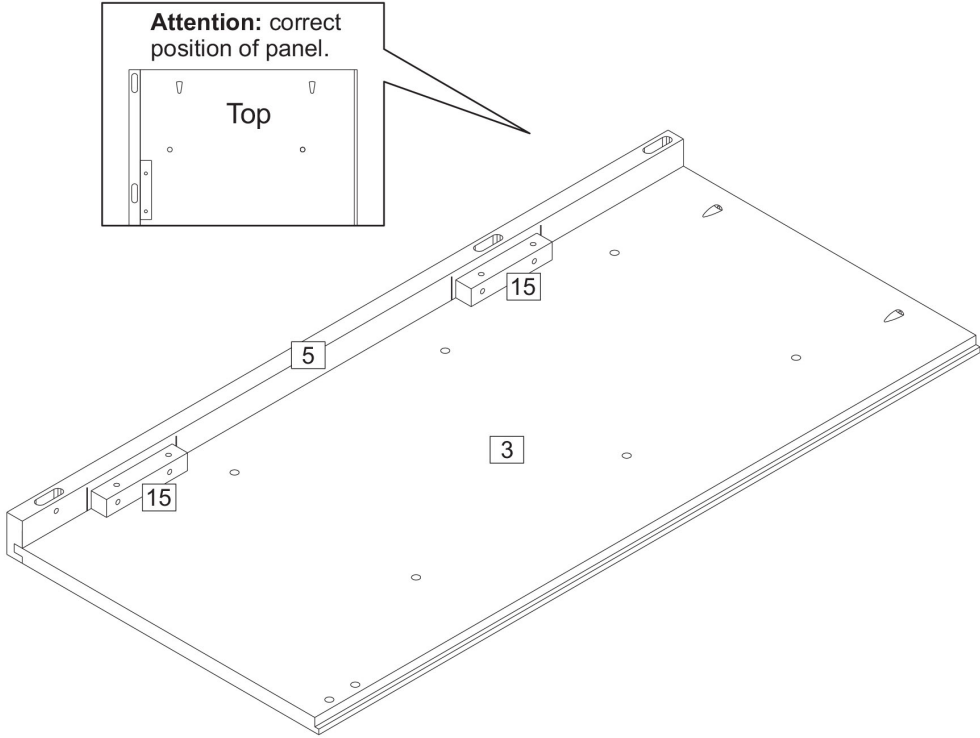
\*\* You will need a small mallet and a screwdriver.



**Step 1:** Insert the right panel (2) to the right front frame (4) making sure the parts are pushed together and lined up. Place the cleats (15) between the marks shown and secure using hardware part D and a screwdriver (not provided).  
**DO NOT use any power tools as this may damage the frame and will invalidate any claim.**



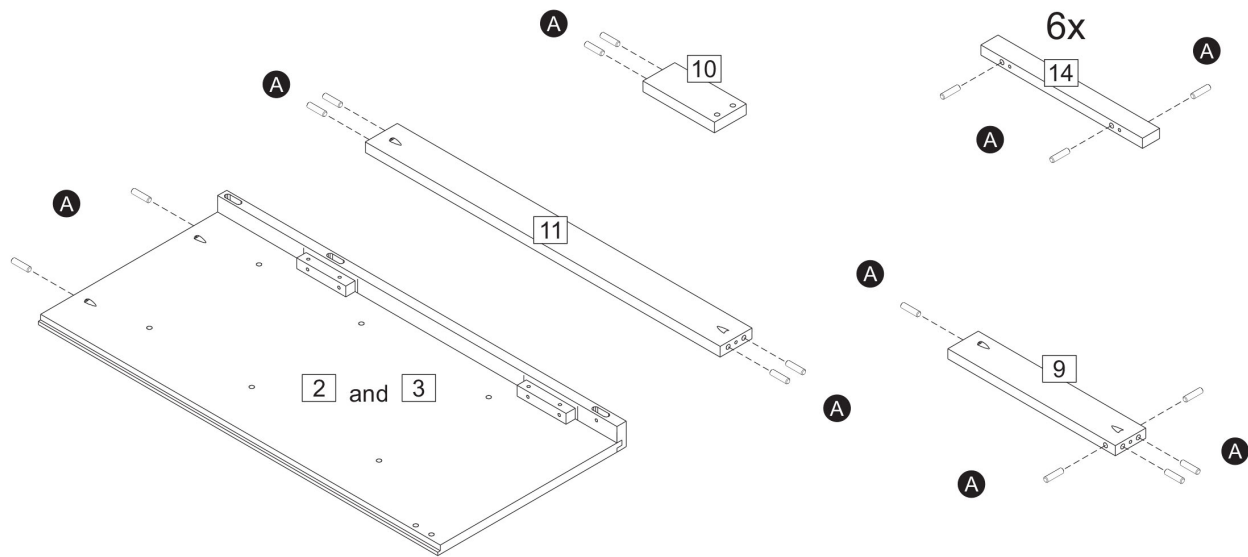
**Step 2:** Insert the left panel (3) to the left front frame (5) making sure the parts are pushed together and lined up. Place the cleats (15) between the marks shown and secure using hardware part D and a screwdriver (not provided).  
**DO NOT use any power tools as this may damage the frame and will invalidate any claim.**



**Step 3:** Insert hardware part A using a small mallet (not provided).

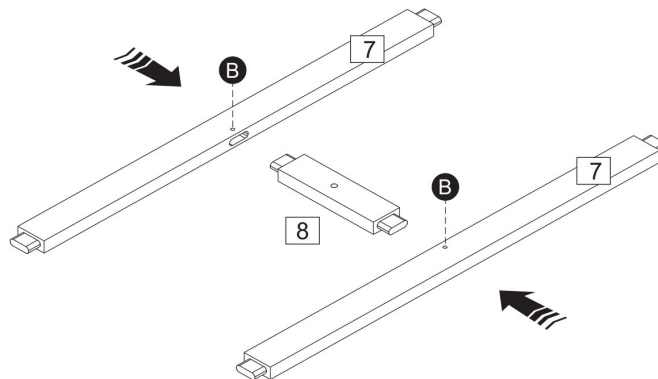
Vendor: S000238

**DO NOT use any power tools as this may damage the frame and will invalidate any claim**



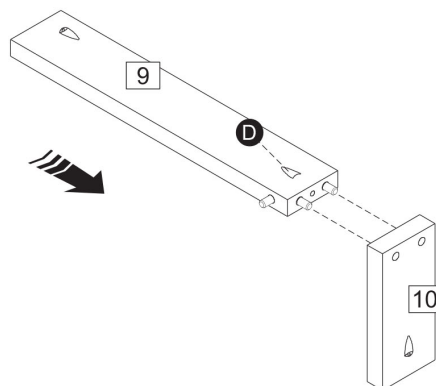
**Step 4:** Connect the top front frames (7) to the middle front frame (8).

**DO NOT use any power tools as this may damage the frame and will invalidate any claim.**



**Step 5:** Attach the middle drawer runner (9) to the back column (10) using hardware part D and a screwdriver (not provided).

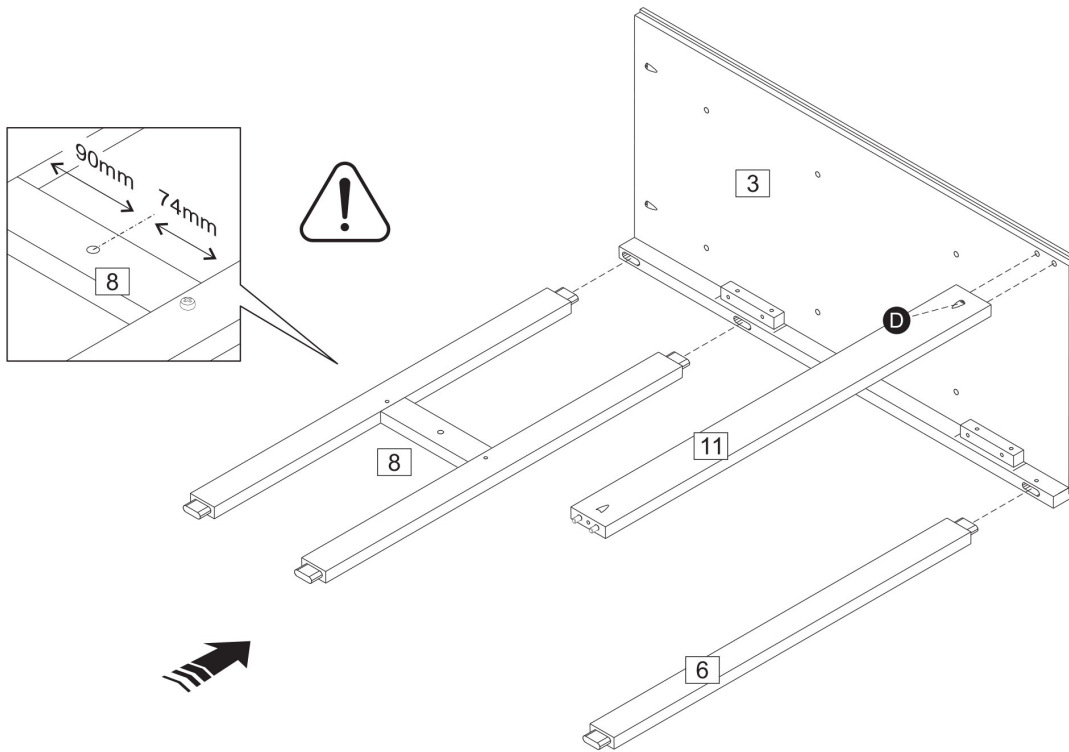
**DO NOT use any power tools as this may damage the frame and will invalidate any claim.**



**Step 6:** Attach the assembled section, rear base plinth (11) and bottom front frame (6) to the left panel (3) using hardware part D and a screwdriver (not provided).

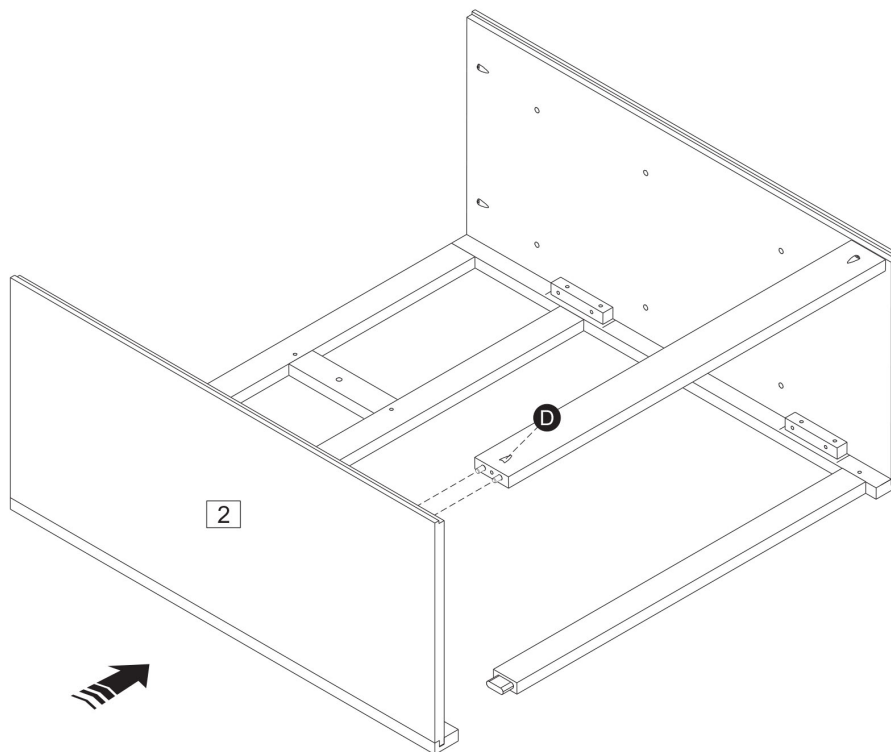
Vendor: S000238

**DO NOT use any power tools as this may damage the frame and will invalidate any claim.**



**Step 7:** Attach the right panel (2) using hardware part D and a screwdriver (not provided).

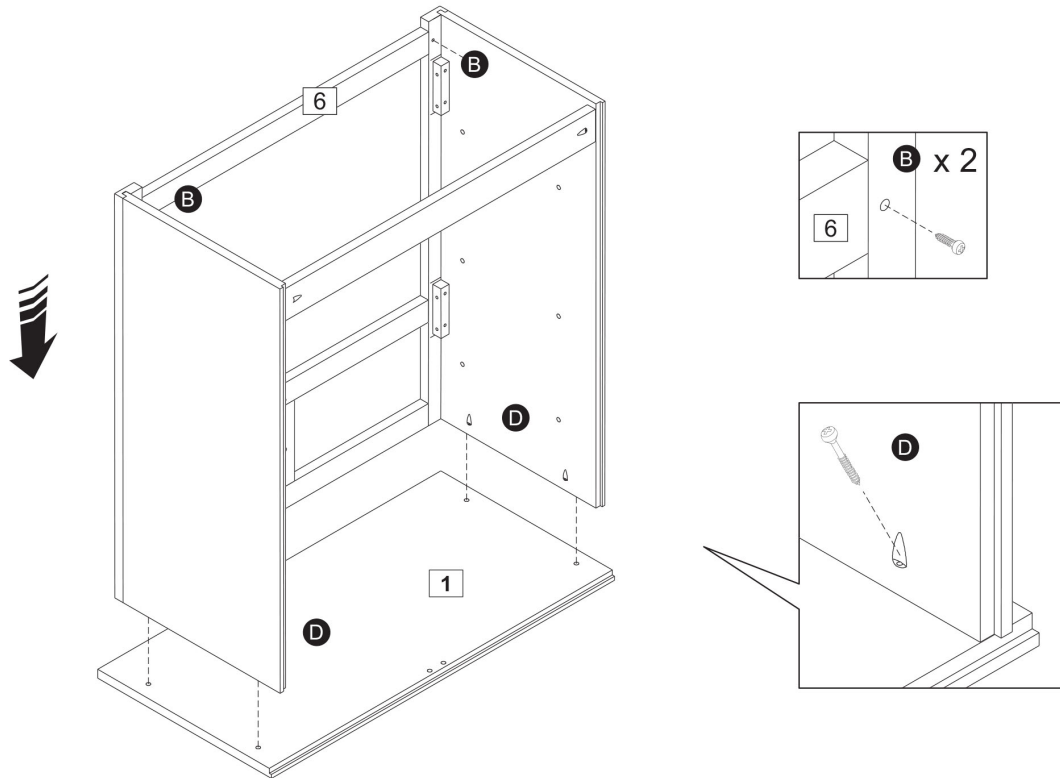
**DO NOT use any power tools as this may damage the frame and will invalidate any claim.**



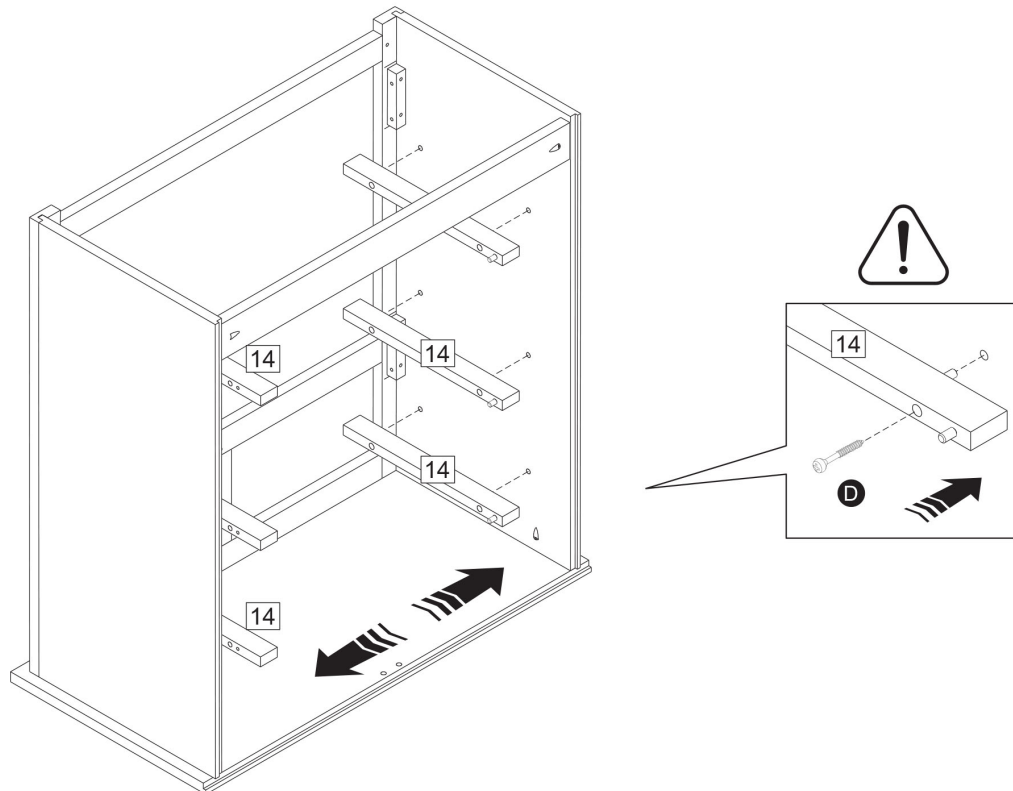
**Step 8:** Attach the top panel (1) using hardware part D then secure the bottom front frame (6) using hardware part B. You will need to use a screwdriver (not provided).

Vendor: S000238

**DO NOT use any power tools as this may damage the frame and will invalidate any claim.**



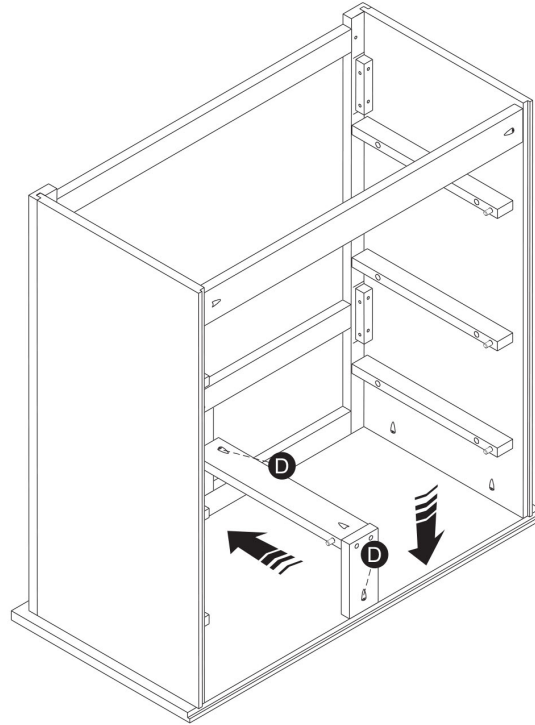
**Step 9:** Attach the side drawer runners (14) using hardware part D and a screwdriver (not provided).  
**DO NOT use any power tools as this may damage the frame and will invalidate any claim.**



**Step 10:** Attach the back column (10) and middle drawer runner (9) using hardware part D and a screwdriver (not provided).

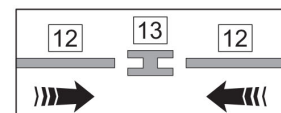
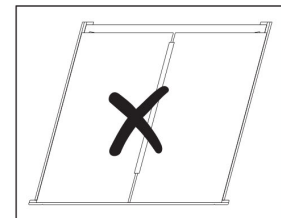
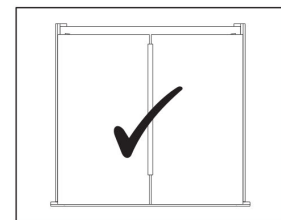
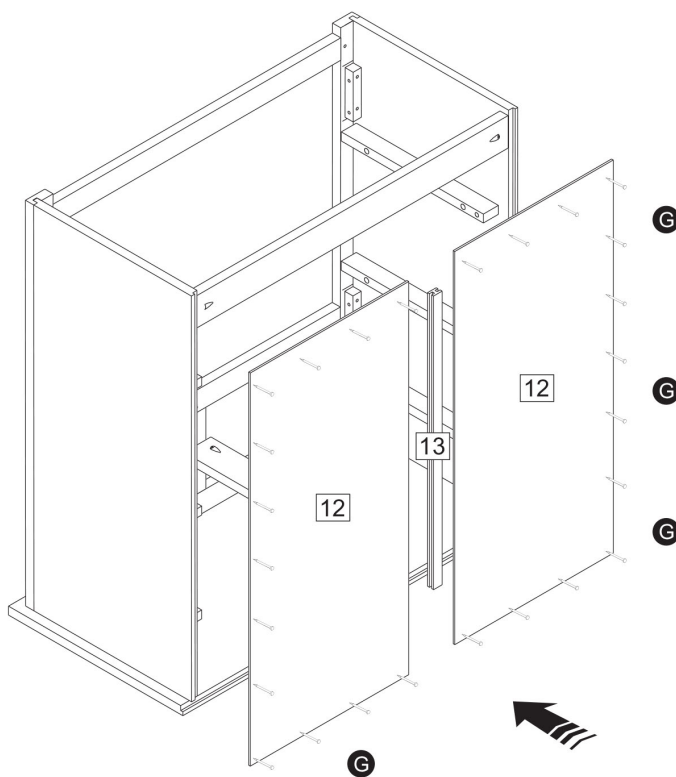
Vendor: S000238

**DO NOT use any power tools as this may damage the frame and will invalidate any claim.**



**Step 11:** Join the back panels (12) together with the spine (13) and secure in position on the frame using hardware part G and a small mallet (not provided).

**DO NOT use any power tools as this may damage the frame and will invalidate any claim.**

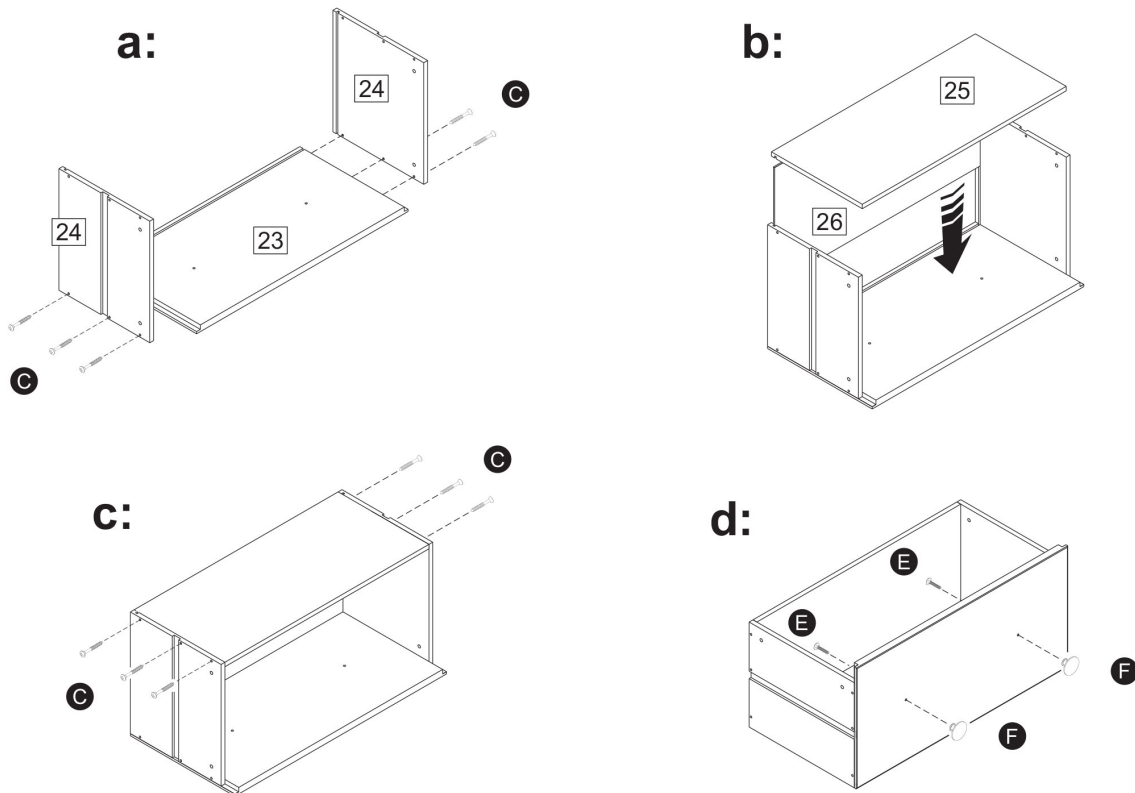




**Step 12:** Assemble the bottom drawer components using hardware parts C, E and F with a screwdriver (not provided).

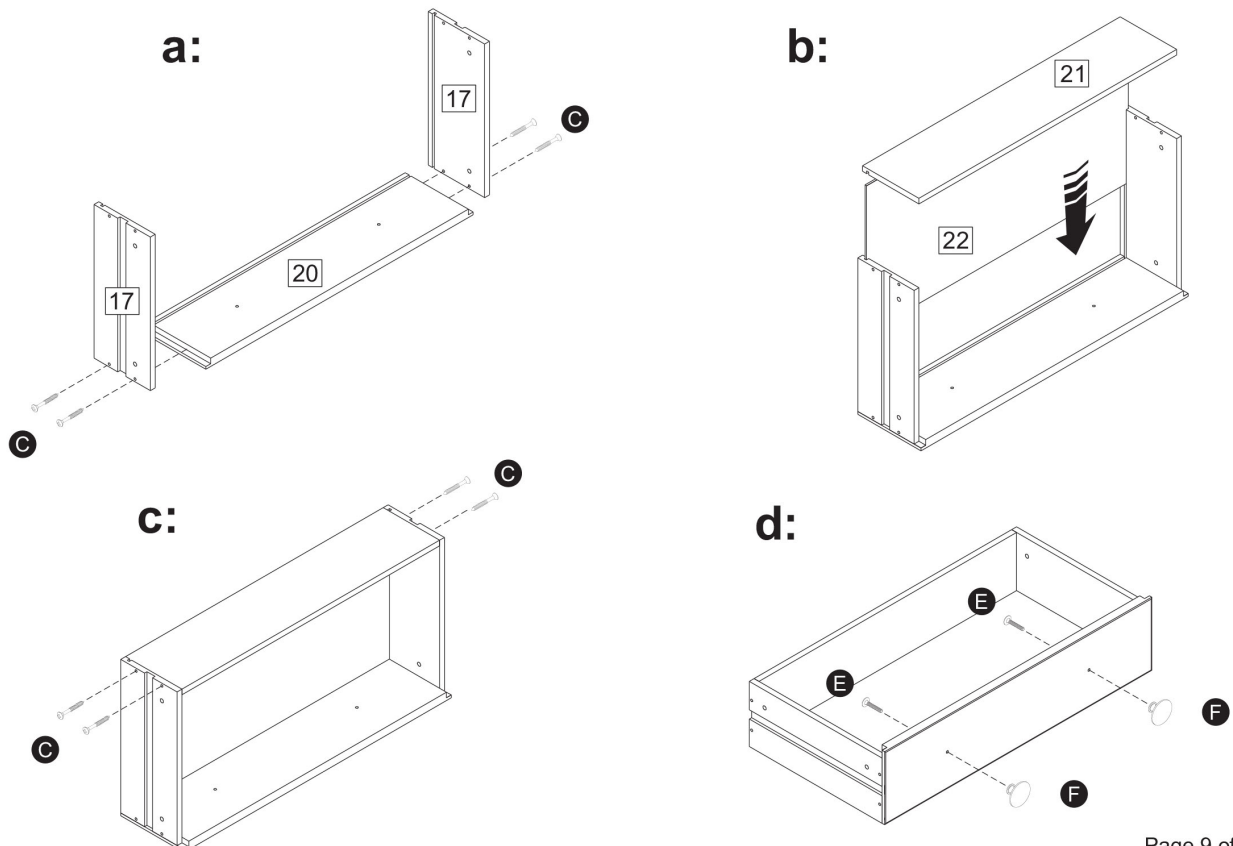
Vendor: S000238

**DO NOT use any power tools as this may damage the frame and will invalidate any claim.**



**Step 13:** Assemble the middle drawer components using hardware parts C, E and F with a screwdriver (not provided).

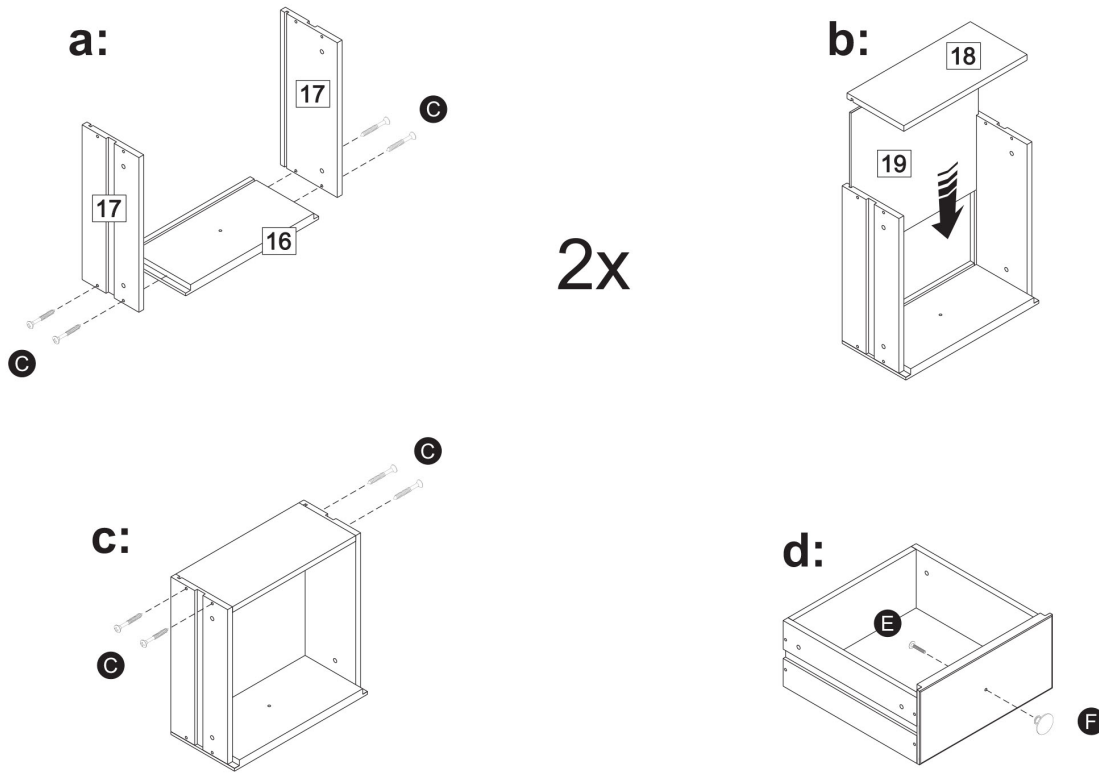
**DO NOT use any power tools as this may damage the frame and will invalidate any claim.**



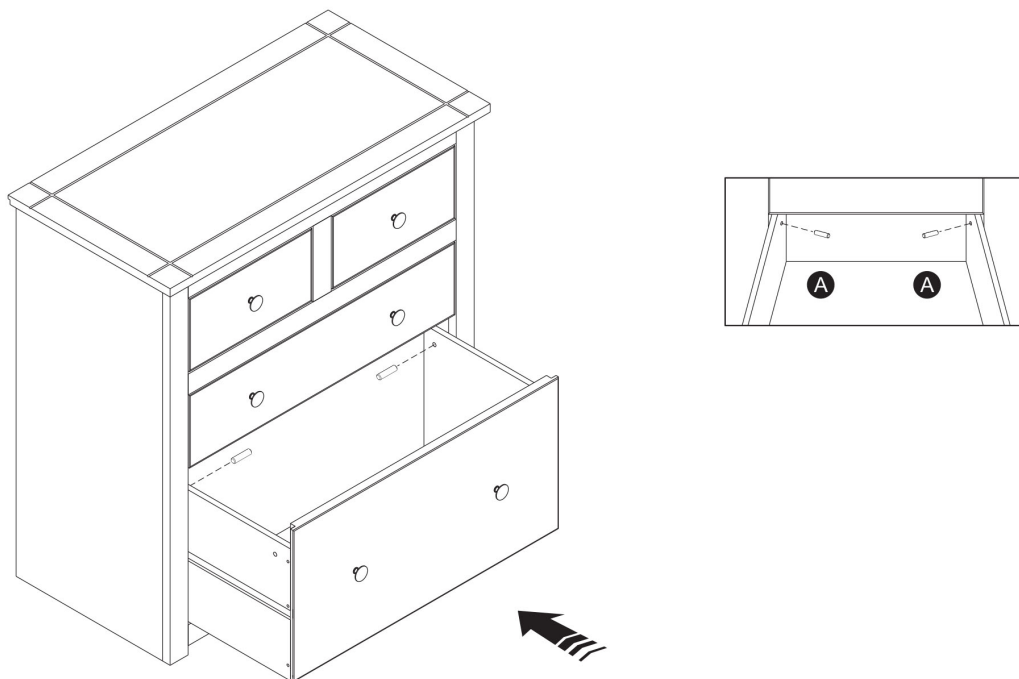
**Step 14:** Assemble the top drawer components using hardware parts C, E and F with a screwdriver (not provided).

Vendor: S000238

**DO NOT use any power tools as this may damage the frame and will invalidate any claim.**



**Step 15:** Insert the assembled drawers and secure using hardware part A and a small mallet (not provided).  
**DO NOT use any power tools as this may damage the frame and will invalidate any claim.**



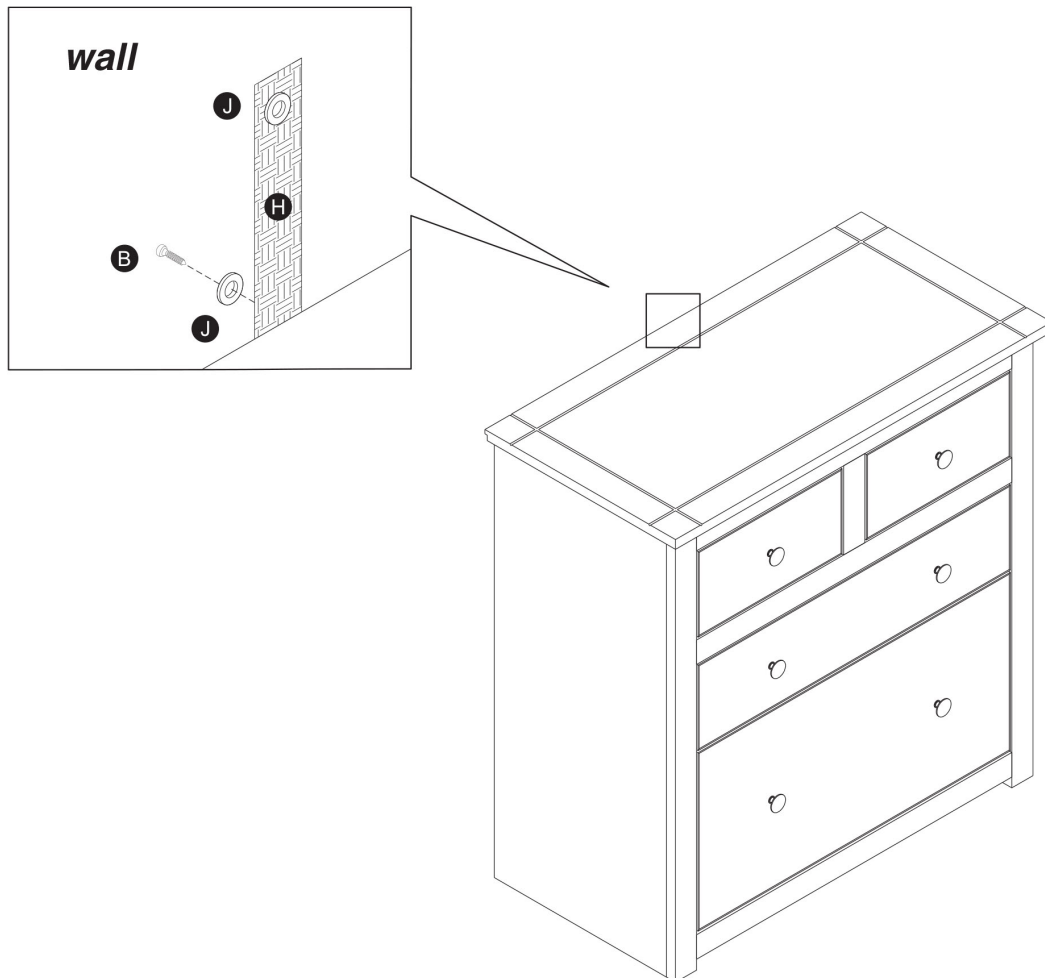
**Step 16:** Furniture must be fixed to a wall.

Vendor: S000238

Fix wall strap H to top of furniture using washer J and screw B .

With help, move furniture into position.

**Wall plugs not supplied. The correct type of fixing must be used for your wall, seek professional advice if in doubt.**



**Additional Information:**

- For complete product information, images and dimension diagrams please visit the website [www.birlea.com](http://www.birlea.com)
- If you have any issues with your item please contact the retailer directly you purchased it from who will be able to resolve any issues with Birlea.
- Why don't you send us photos of your assembled furniture to [info@birlea.com](mailto:info@birlea.com) to be shared in our #birleahome feature on Instagram.