



Birlea

Suppliers of inspiration

Vendor: S000238



ASSEMBLY INSTRUCTIONS CORONA 3' LOW END BED

IMPORTANT: READ THESE INSTRUCTIONS CAREFULLY BEFORE ATTEMPTING TO ASSEMBLE OR USE YOUR CORONA 3' LOW END BED FRAME

PLEASE KEEP THESE INSTRUCTIONS FOR FUTURE REFERENCE

ASSEMBLY INSTRUCTIONS:

Please check contents and read instructions carefully before commencing assembly
To avoid damages assemble the item on a soft, clean surface

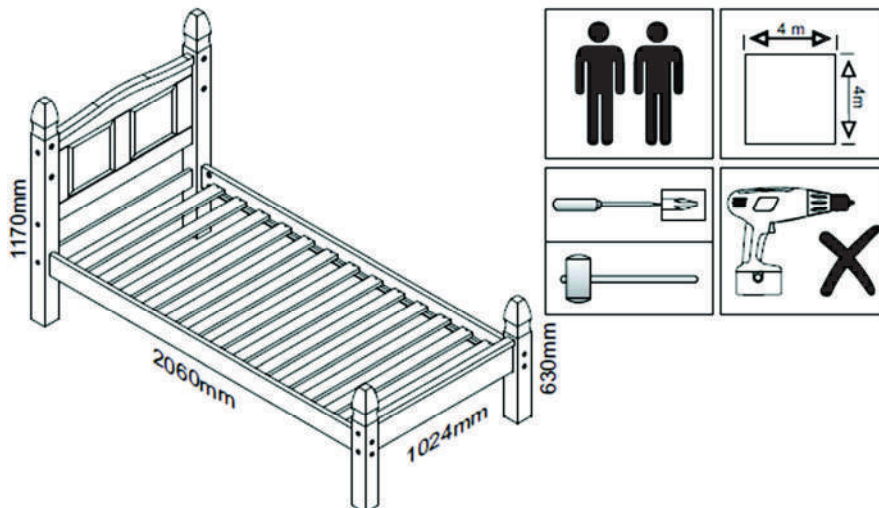
HEALTH & SAFETY:

DO NOT jump on this bed frame
DO NOT use this bed frame if any parts are missing, damaged or worn
DO NOT use this bed frame unless all fixings are secured
Always use on a level, even surface

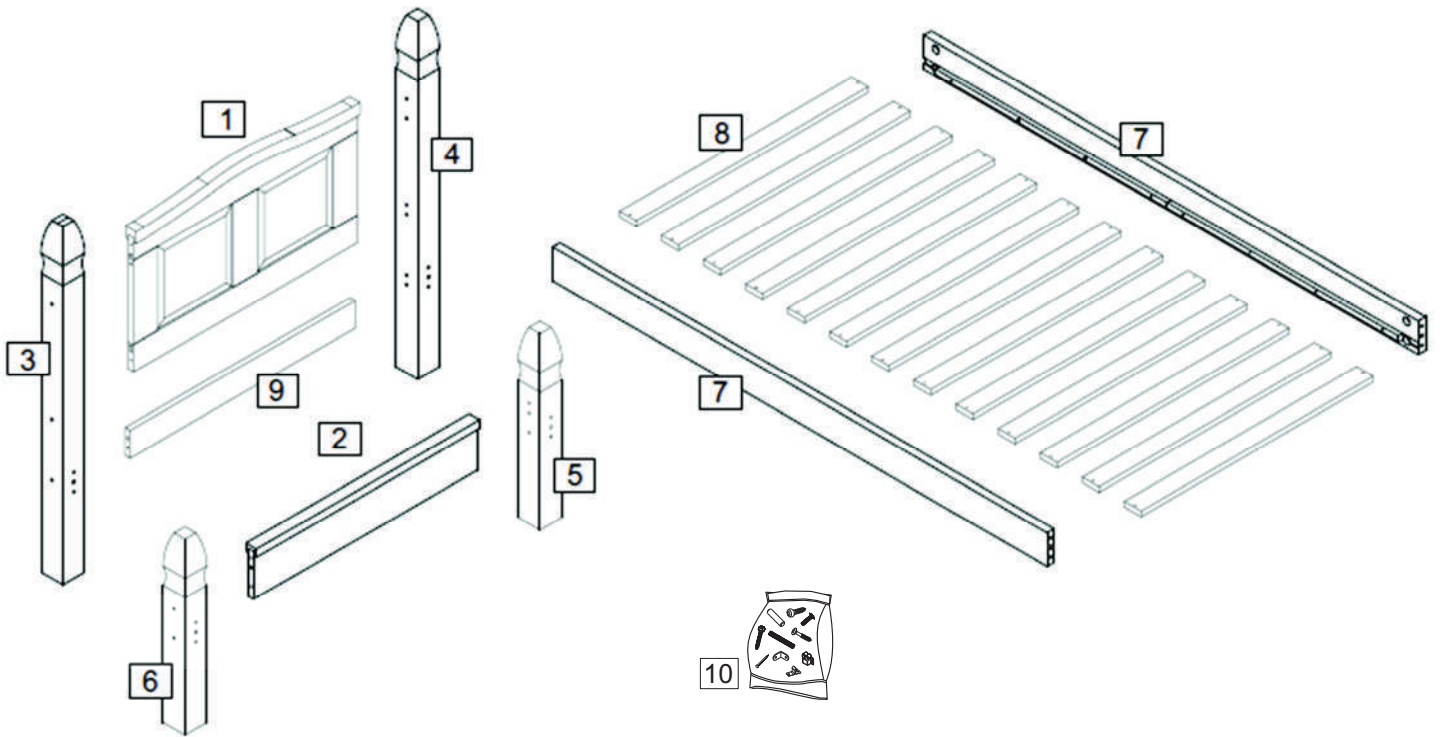
WARNING: If this bed is placed on a laminated floor you must place some protection under all legs to stop the bed frame from moving. If this is not adhered to there is no guarantee if the bed frame collapses

CARE & MAINTENANCE:

This product is manufactured in pine which is a wood with natural characteristics including knots, grains, clusters or indentations
On unpacking the item you may notice an odour due to the production process. However, this will disappear after a period of time.
Do not place the item next to a radiator or direct sunlight – this item is manufactured in pine but is susceptible to temperature change. It is recommended an even room temperature be maintained with no sudden fluctuations.
For general cleaning use a duster or damp cloth (almost dry) not wet – do not use soap and water, detergents, aerosol sprays or any polish. The use of these materials would invalidate any claims.
You may wish to retreat the surface to maintain the original finish – this can be done using block wax (unperfumed). Please follow the manufacturer's instructions carefully
Do not place the item onto wet or damp flooring as staining may occur to the floor
Periodically check all screws & fixings to ensure they are secure
DO NOT push the frame as this will damage the legs
Keep any sharp objects away from the frame



www.birlea.com

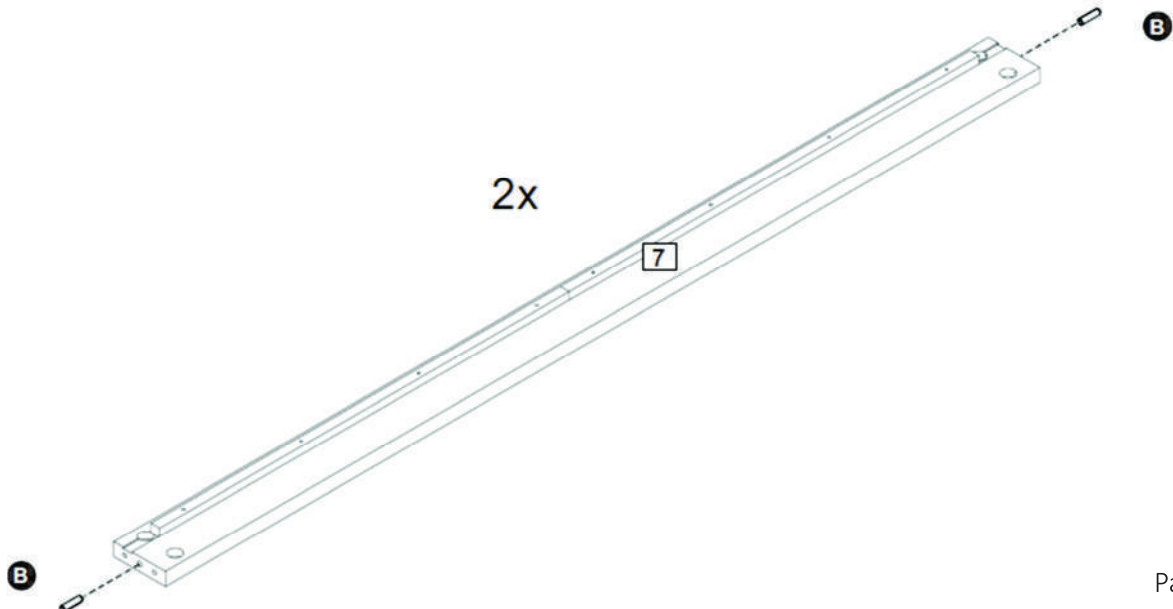


Parts List				Hardware List			
Part	Description	Box	Qty	Part	Description		Qty
1	Headend Panel	1	1	A	30 mm Wooden Dowel		8
2	Footend Panel	1	1	B	40 mm Wooden Dowel		4
3	Left Headend Post	2	1	C	35 mm Screw		26
4	Right Headend Post	2	1	D	120 mm Bolt		10
5	Right Footend Post	2	1	E	130 mm Bolt		8
6	Left Footend Post	2	1	F	Elliptical Nut		8
7	Side Rail	3	2	G	Allen Key		1
8	Slat	3	13	H	Spacer		2
9	Headend Rail	3	1	J	Stud		4
10	Hardware Kit	2	1				

**** You will need a small mallet and a screwdriver**

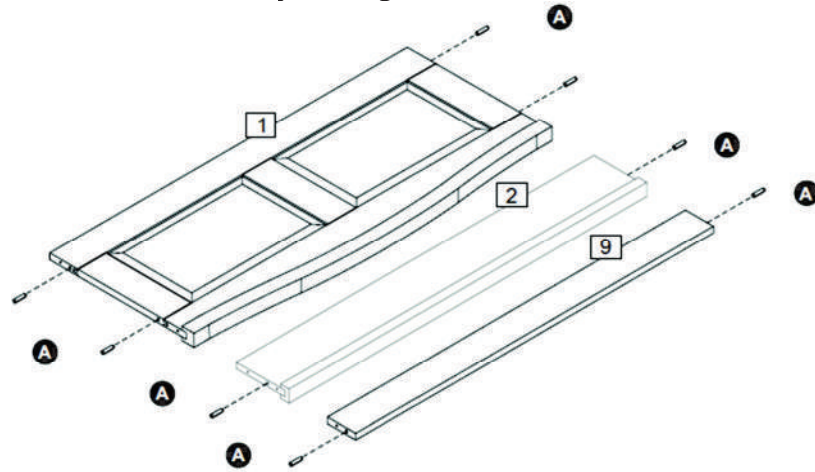
Step 1: Insert hardware part B using a small mallet (not provided)

DO NOT use any power tools as this may damage the frame and will invalidate any claim



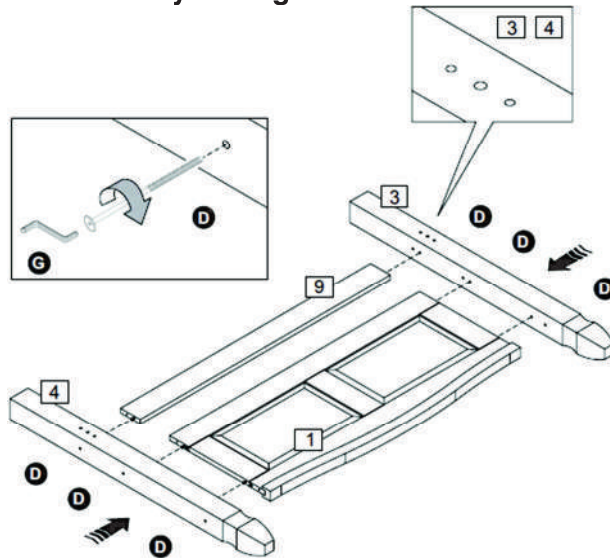
Step 2: Insert hardware part A using a small mallet (not provided)

DO NOT use any power tools as this may damage the frame and will invalidate any claim



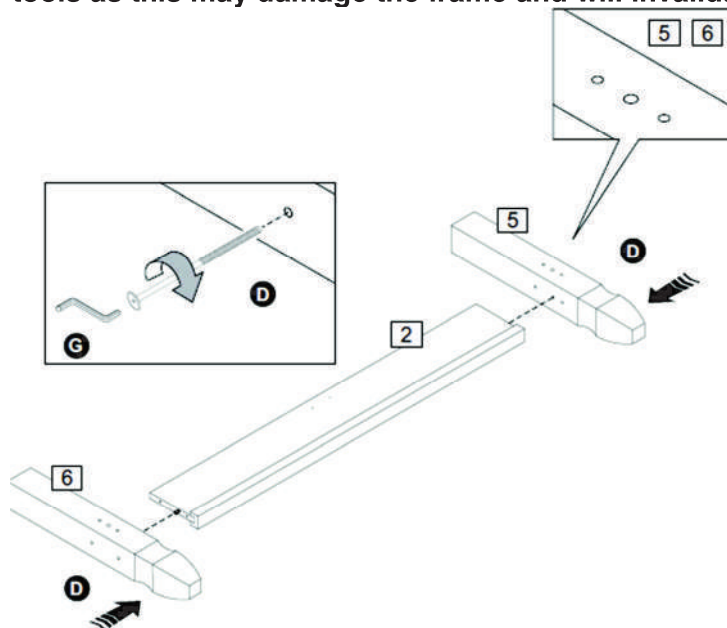
Step 3: Attach the left headend post (3) and right headend post (4) to the headend panel (1) and headend rail (9) using hardware parts D and G.

DO NOT use any power tools as this may damage the frame and will invalidate any claim

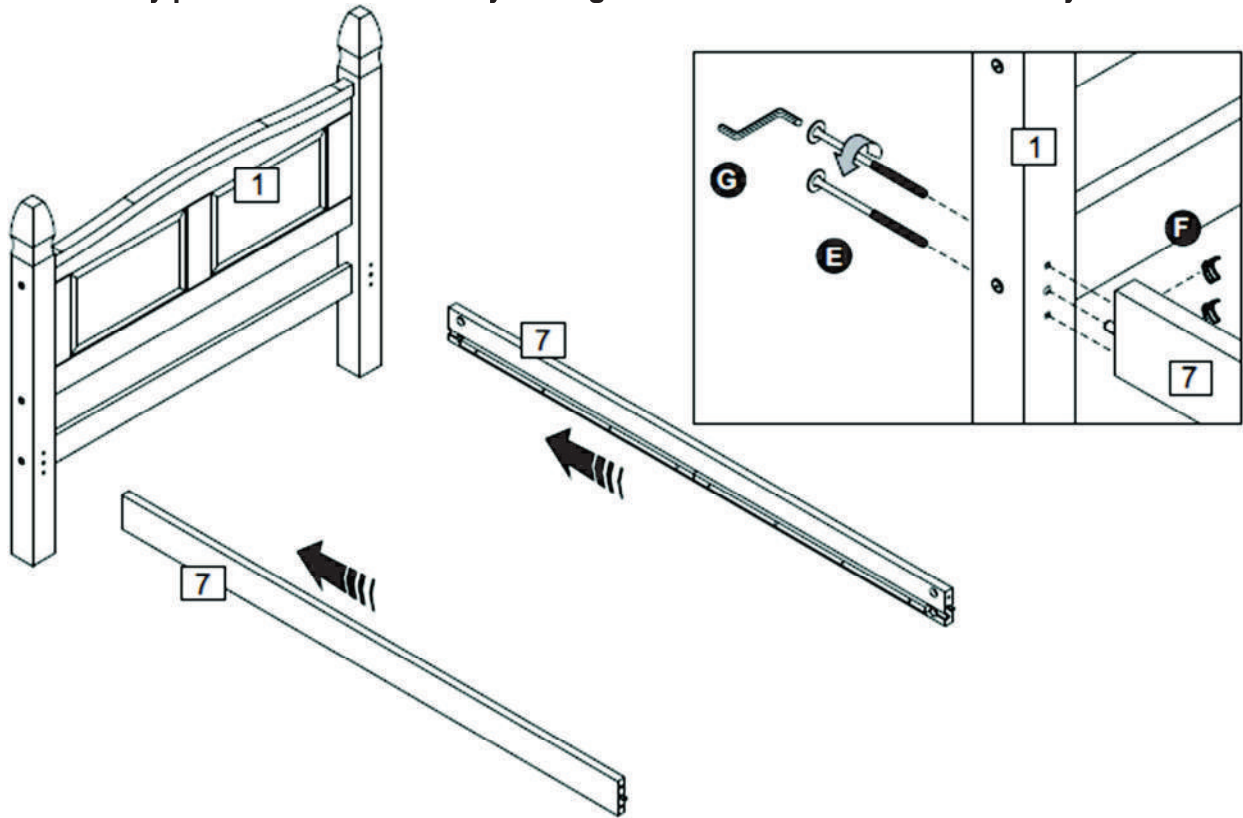


Step 4: Attach the left footend post (6) and right footend post (5) to the footend panel (2) using hardware parts D and G.

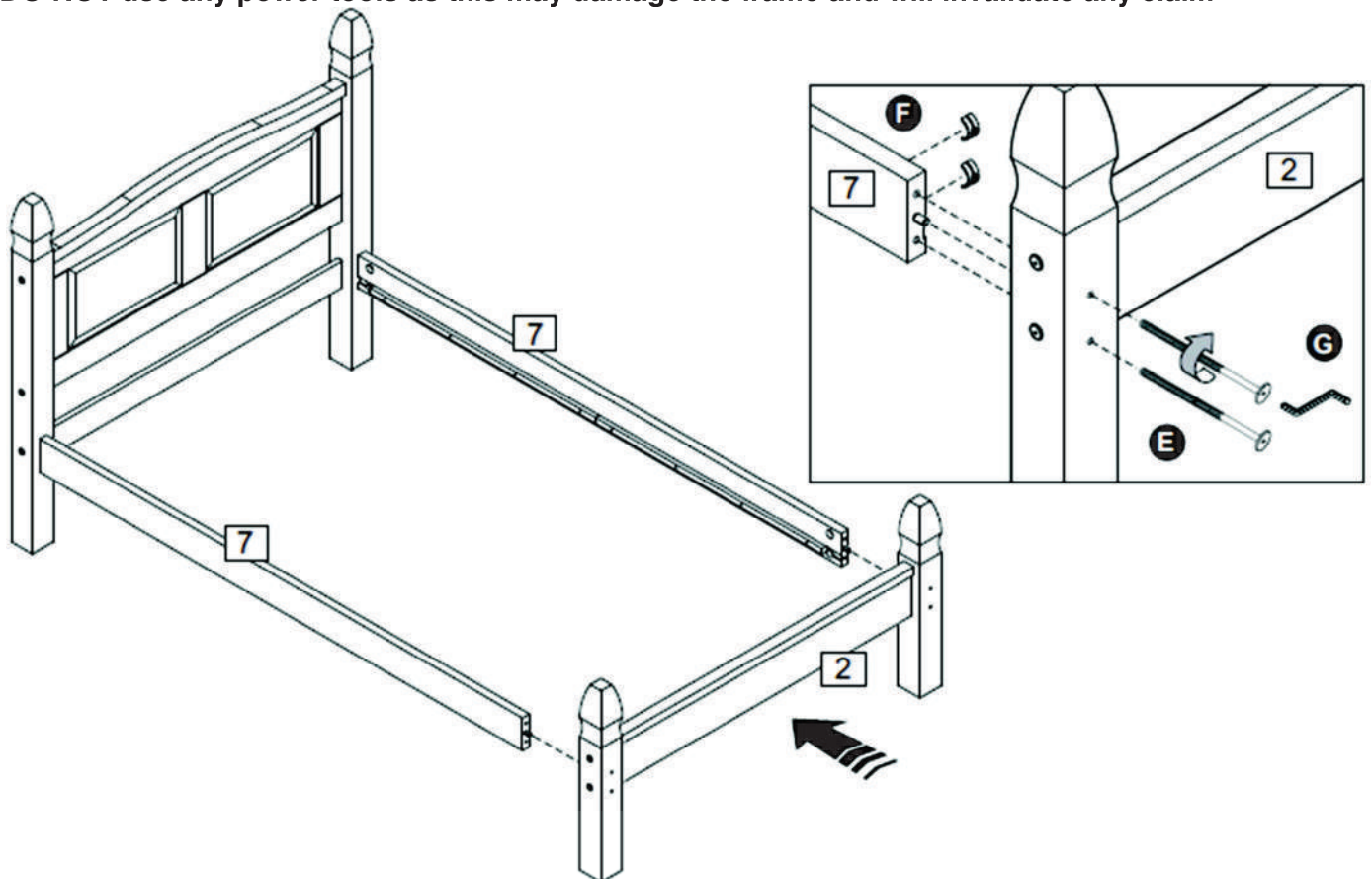
DO NOT use any power tools as this may damage the frame and will invalidate any claim



Step 5: Attach the side rails (7) using hardware parts E, F and G
DO NOT use any power tools as this may damage the frame and will invalidate any claim

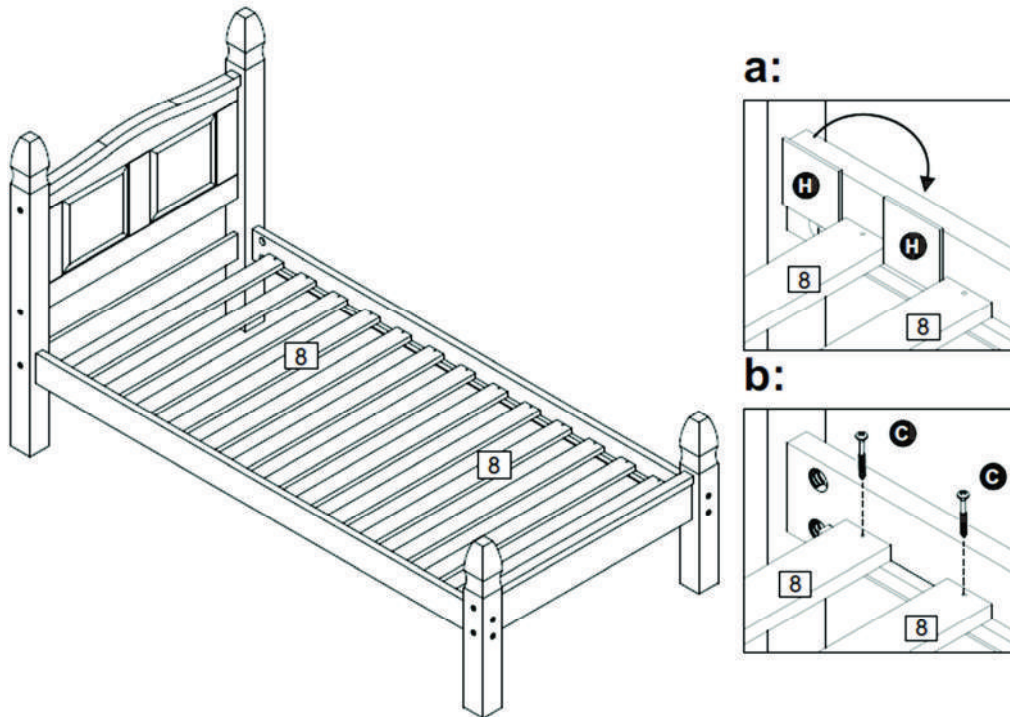


Step 6: Join the two assembled sections together using hardware parts E, F and G
DO NOT use any power tools as this may damage the frame and will invalidate any claim



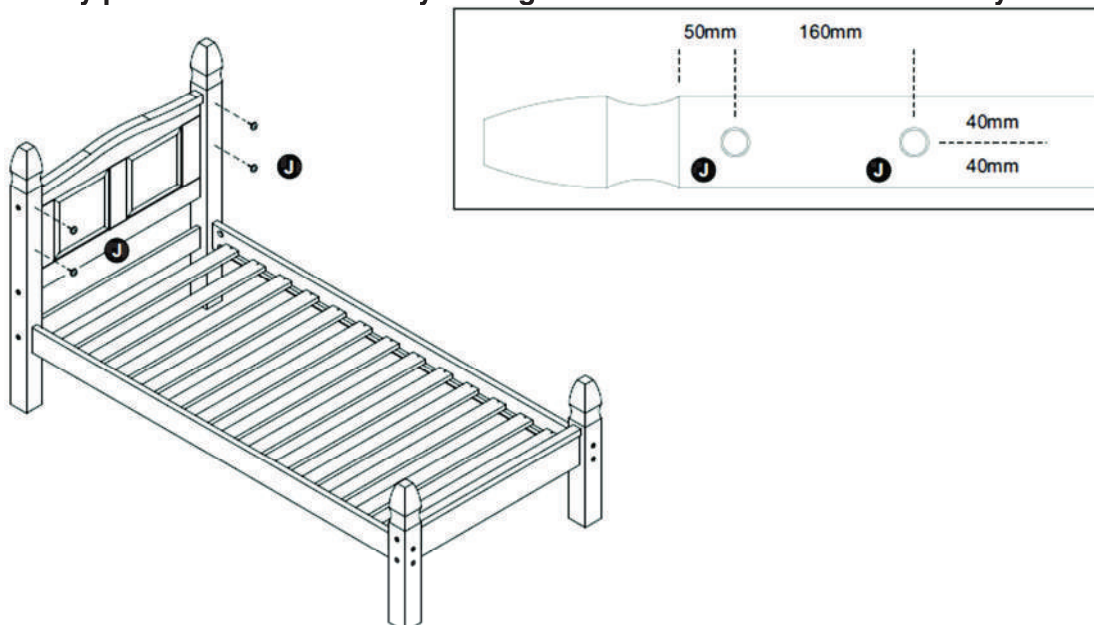
Step 7: Secure the slats (8) using hardware parts H and C with a screwdriver (not provided). Make sure to start from the ends and work towards the middle.

DO NOT use any power tools as this may damage the frame and will invalidate any claim



Step 8: Insert hardware part J using a small mallet (not provided)

DO NOT use any power tools as this may damage the frame and will invalidate any claim



Note: When everything has been assembled, tighten all bolts and attach the wooden buttons to the holes on the bed posts

For complete product information, images and dimension diagrams please visit www.birlea.com