



# Birlea

Suppliers of inspiration

## Assembly Instructions

---

*Thank you* for  
purchasing a  
**Birlea** product.

For a chance to win a *Love 2 Shop* voucher simply post a picture of your new product on your preferred social channels tagging Birlea Furniture and using the hashtag **#ShareYourStyle** and **#Birlea**. One winner will be selected at random each month.

*To view our full terms and conditions please visit our website. [www.birlea.com](http://www.birlea.com)*

---

### Are you happy with your purchase?

**Yes:** That's great, we would love to hear more from you. Please leave us a review on our social media channels or Trustpilot. Your feedback will be greatly appreciated.

**No:** If for any reason there is something missing, indifferent or incorrect with your order, please contact the retailer you purchased the item from. We will work with the retailer to resolve your issue as quickly as possible.



[www.birlea.com](http://www.birlea.com)

## ASSEMBLY INSTRUCTION 90CM BUXTON GUEST BED

**IMPORTANT:** READ THESE INSTRUCTIONS CAREFULLY BEFORE ASSEMBLING OR USING BED FRAME.

**PLEASE KEEP THESE INSTRUCTIONS FOR FUTURE REFERENCE.**

### **HEALTH & SAFETY:**

**DO NOT** jump on this bed frame.

**DO NOT** use this bed frame if any parts are missing, damaged or worn.

**DO NOT** use this bed frame unless all fixings are secured.

Please keep small parts out of reach of children.

Always use on a level, even surface.

**WARNING:** If this bed is placed on a non-carpeted floor you must place some protection under all legs to stop the bed frame from moving. If this is not adhered to there is no guarantee if the bed frame collapses.

### **CARE & MAINTENANCE:**

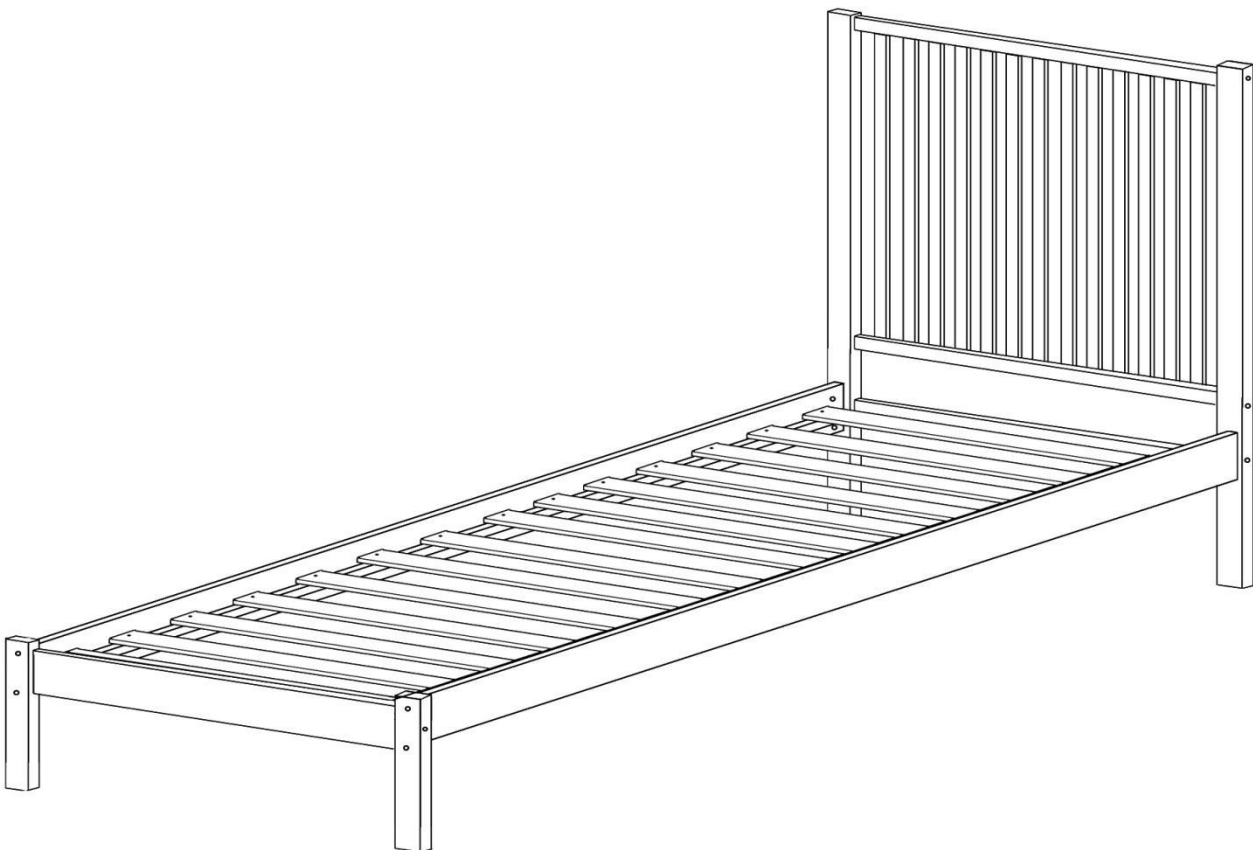
Assemble in the room of use.

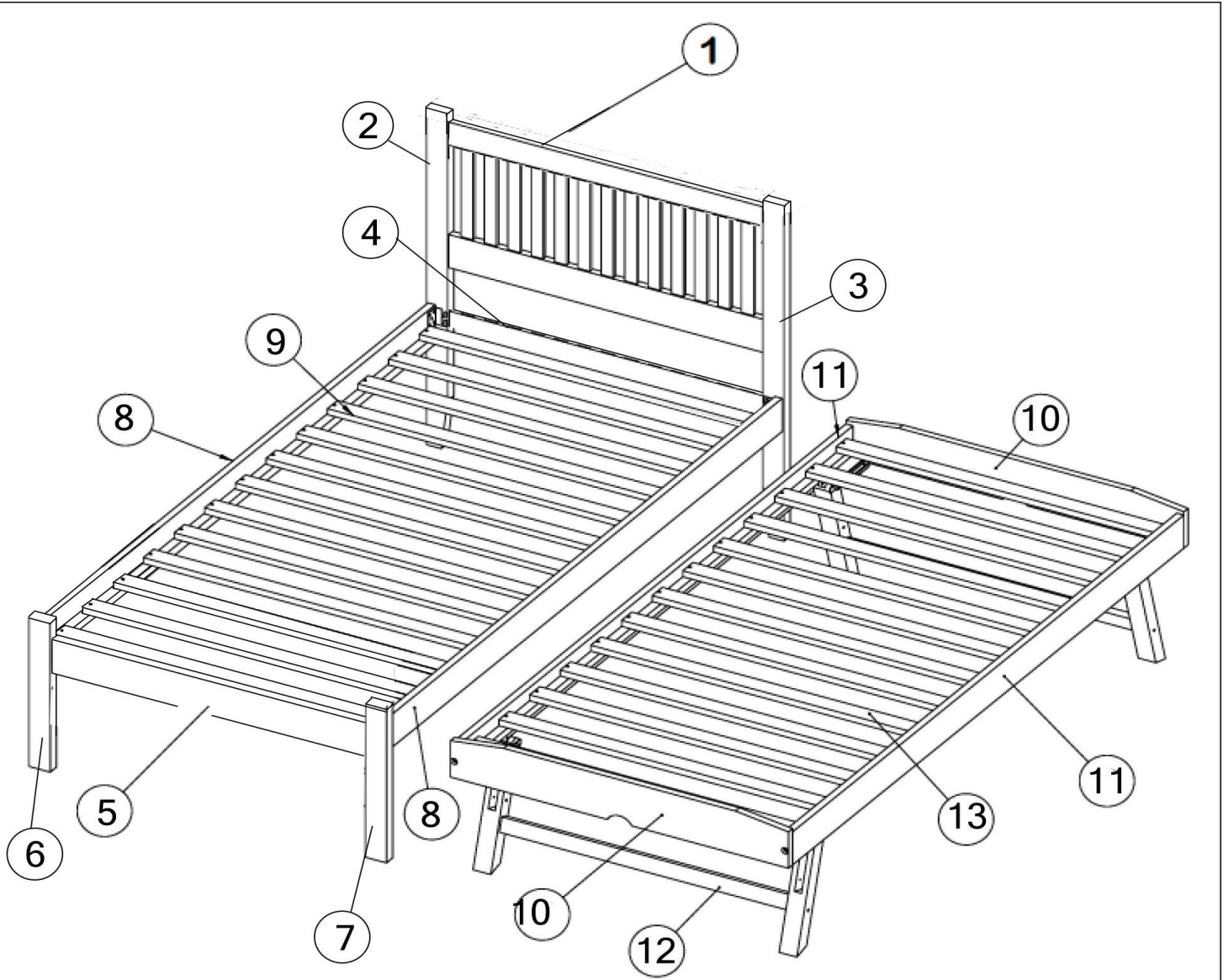
Periodically check all screws & fixings to ensure they are secure.


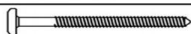
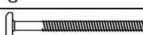

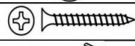




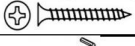


**DO NOT** push the bed frame as this will damage the legs.

Always lift the bed with two people to reposition.

Keep any sharp objects away from the frame.





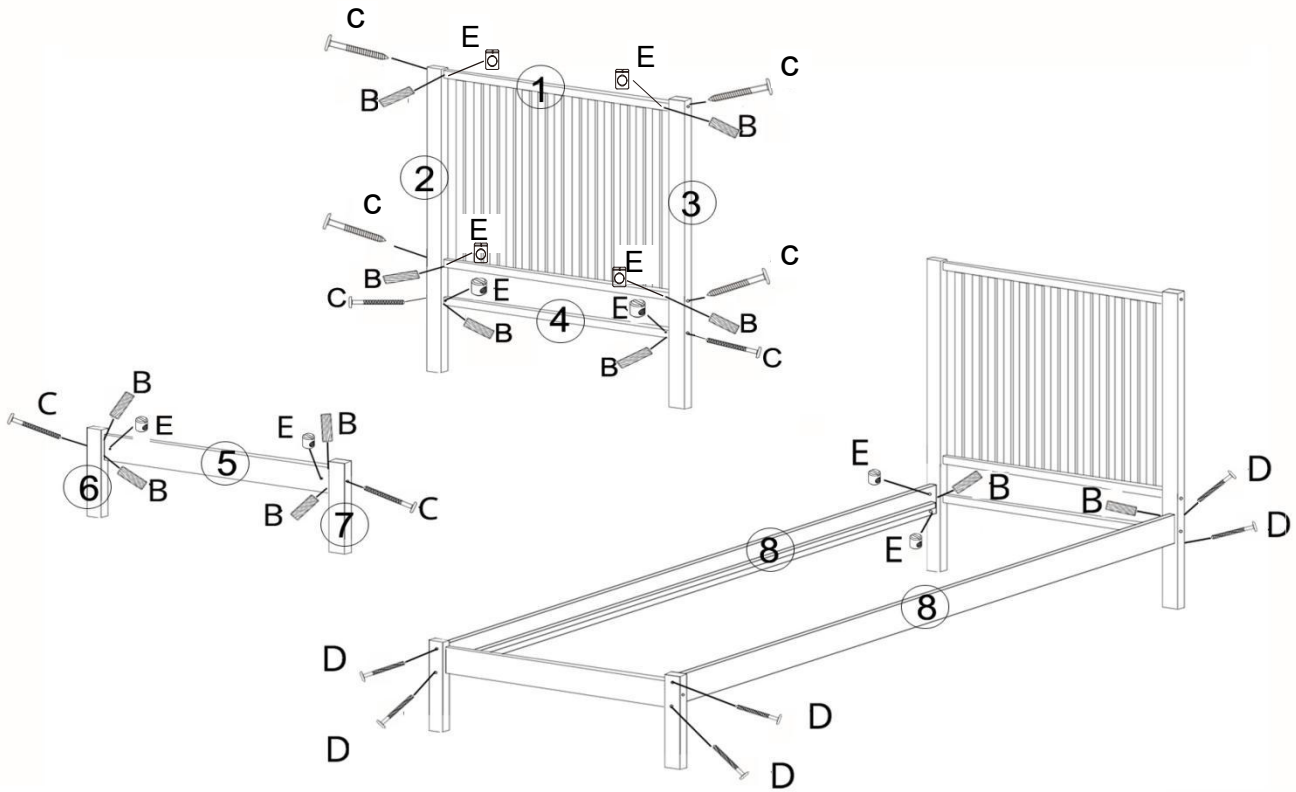
| PART LIST |                        |     |     | HARDWARE LIST (found in box2) |             |   |     |
|-----------|------------------------|-----|-----|-------------------------------|-------------|---|-----|
| PART      | DESCRIPTION            | QTY | BOX | PART                          | DESCRIPTION |   | QTY |
|           |                        |     |     | <b>TOP FRAME</b>              |             |   |     |
| 1         | Headboard              | 1   | 2   |                               |             |   |     |
| 2         | Left Headboard post    | 1   | 1   | B                             | 30mm Dowel  |  | 14  |
| 3         | Right Headboard Post   | 1   | 1   | C                             | 100mm Bolt  |  | 8   |
| 4         | Headboard support rail | 1   | 1   | D                             | 70mm Bolt   |  | 8   |
| 5         | Footboard              | 1   | 1   | E                             | Nut         |  | 16  |
| 6         | Left leg               | 1   | 1   | F                             | 30mm Screw  |  | 28  |
| 7         | Right leg              | 1   | 1   | G                             | Allen Key   |  | 1   |
| 8         | Side rails             | 2   | 1   |                               |             |   |     |
| 9         | Bed slats              | 14  | 2   |                               |             |   |     |
|           |                        |     |     | <b>TRUNDLE</b>                |             |   |     |
| 10        | Trundle end board      | 2   | 1   | B                             | 30mm Dowel  |  | 8   |
| 11        | Trundle side rails     | 2   | 1   | D                             | 70mm Bolt   |  | 12  |
| 12        | Trundle leg bar        | 2   | 1   | E                             | Nut         |  | 12  |
| 13        | Trundle Slats          | 14  | 2   | F                             | 30mm Screw  |  | 28  |
|           |                        |     |     | G                             | Allen Key   |  | 1   |
|           |                        |     |     | I                             |             |  | 4   |

\*\* You will need a screwdriver ( not provided )



**Step 1 :** Attach the 1 x Headboard (1) to the 1 x Left headboard post (2), 1 x right headboard post (3) and 1 x headboard support rail (4) using hardware parts (B), (C) and (E). Secondly Attach the 1 x left leg (6) and 1 x right leg (7) to the 1 x footboard (5) using hardware parts (B), (C) and (E). Then attach the 2 x Side rails (8) to the 1 x left leg (6), 1 x right leg (7), 1 x Left headboard post (2) and the 1 x right headboard post (3) using hardware parts (B), (D) and (E).

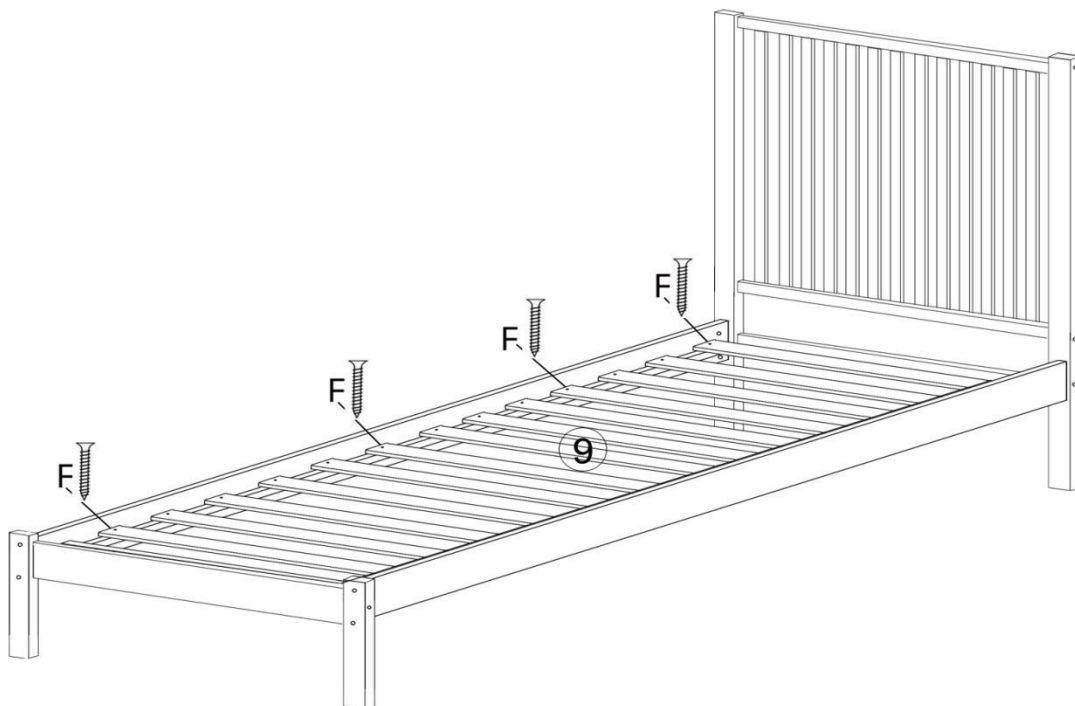
**DO NOT** use any power tools as this may damage the frame and will invalidate any claim



**Step 2 :** Insert the 14 x slats (9) to the 2 x side rails (8) using hardware parts (F) and a screwdriver (not provided).

Remark: Please use the guide holes when screwing the slats to the side rails. Please ensure you screw the 5th and 9th slat first.

**DO NOT** use any power tools as this may damage the frame and will invalidate any claim

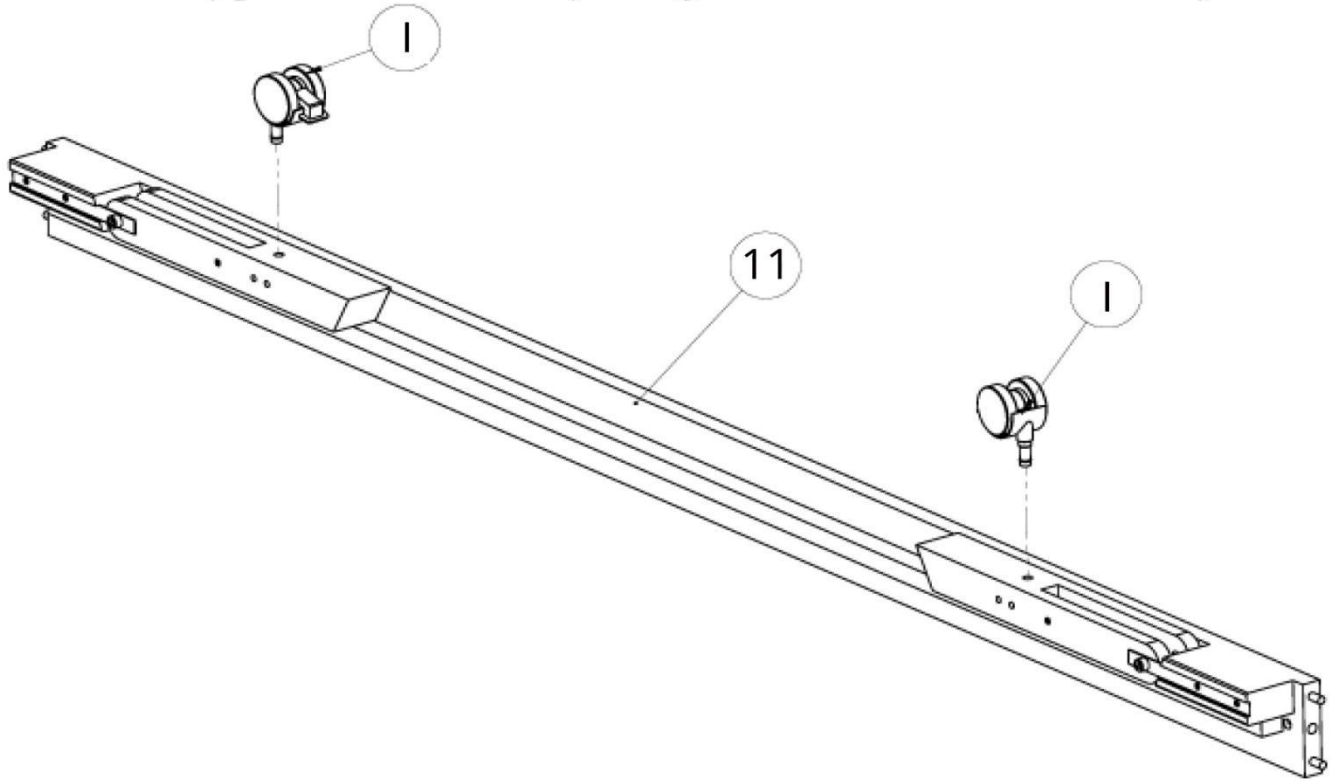




**Step 3 :** Insert the 4 x Trundle wheels (I) firmly into the holes on the 2 x Trundle side rails (11).

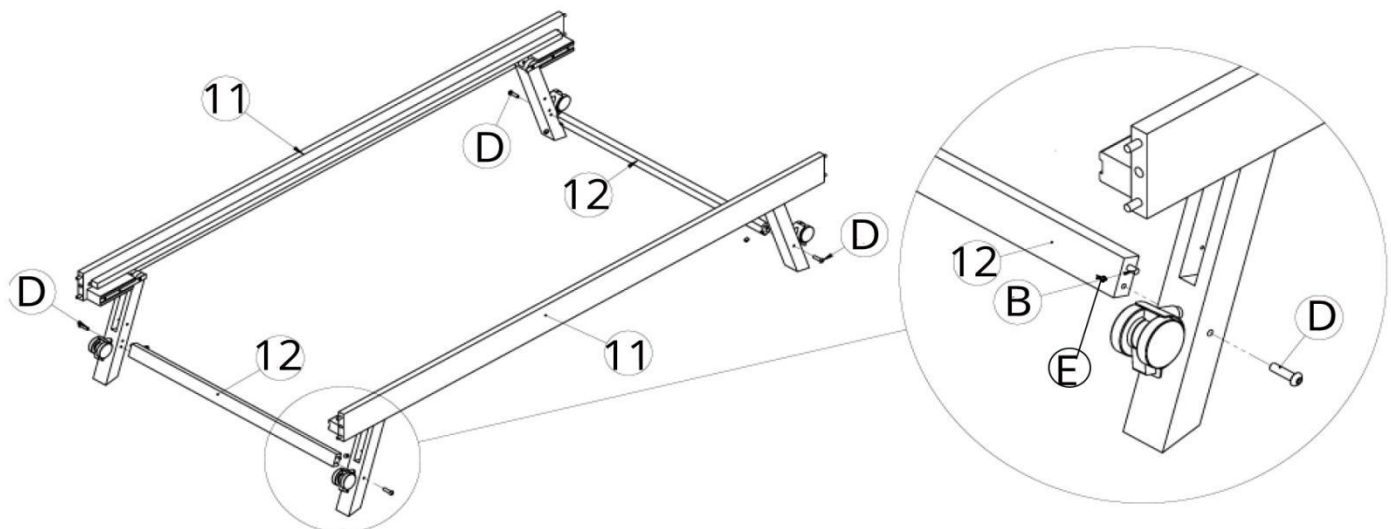
CAUTION: when the leg ties are cut, the legs spring out.

**DO NOT** use any power tools as this may damage the frame and will invalidate any claim



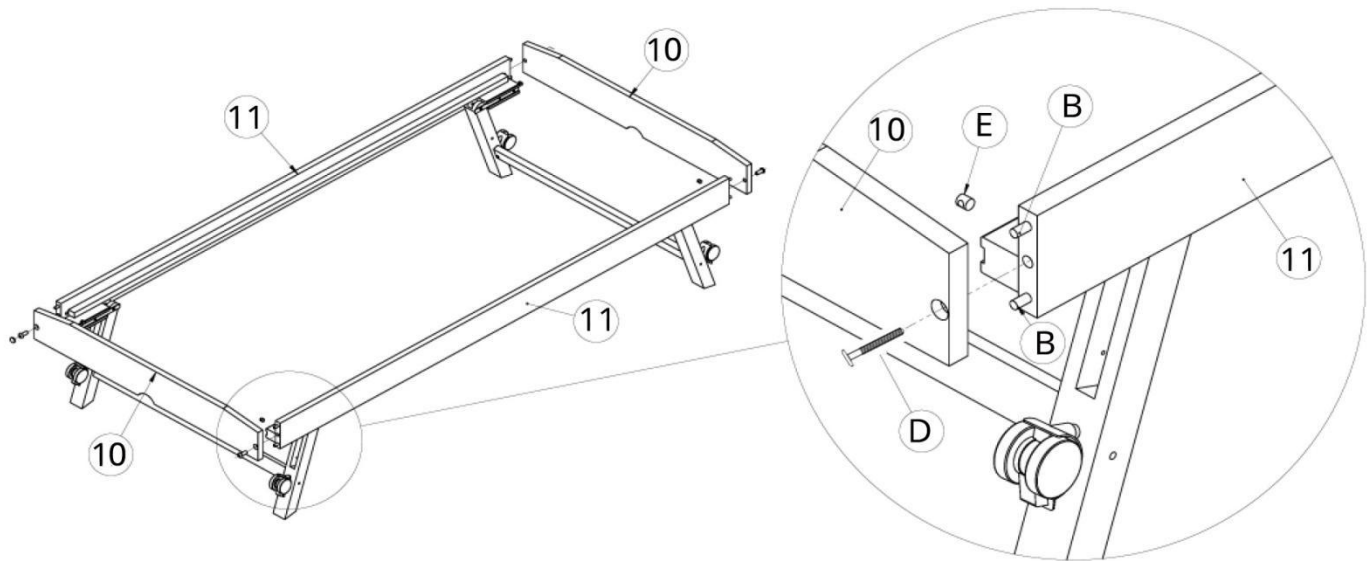
**Step 4 :** Attach the 2 x Trundle leg bars (12) to the legs on the 2 x side rails (11) using hardware parts (B), (D) and (E).

**DO NOT** use any power tools as this may damage the frame and will invalidate any claim



**Step 5 :** Attach the 2 x Trundle end boards (10) to the 2 x Trundle side rails (11) using hardware parts (B), (D) and (E).

**DO NOT** use any power tools as this may damage the frame and will invalidate any claim



**Step 6 :** Attach the 13 x Trundle slats (13) to the 2 x Trundle side rails (11) using hardware parts (F).

Remark: Please use the guide holes when screwing the slats to the side rails. Please ensure you screw the 5th and 9th slat first.

**DO NOT** use any power tools as this may damage the frame and will invalidate any claim

