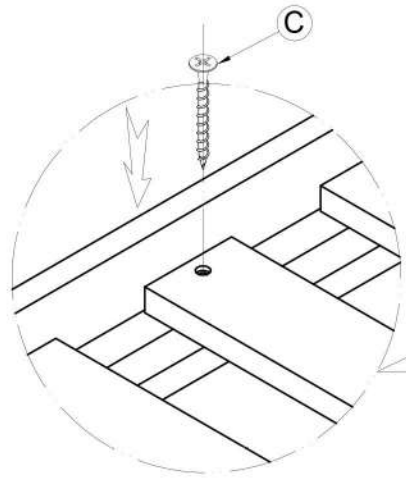
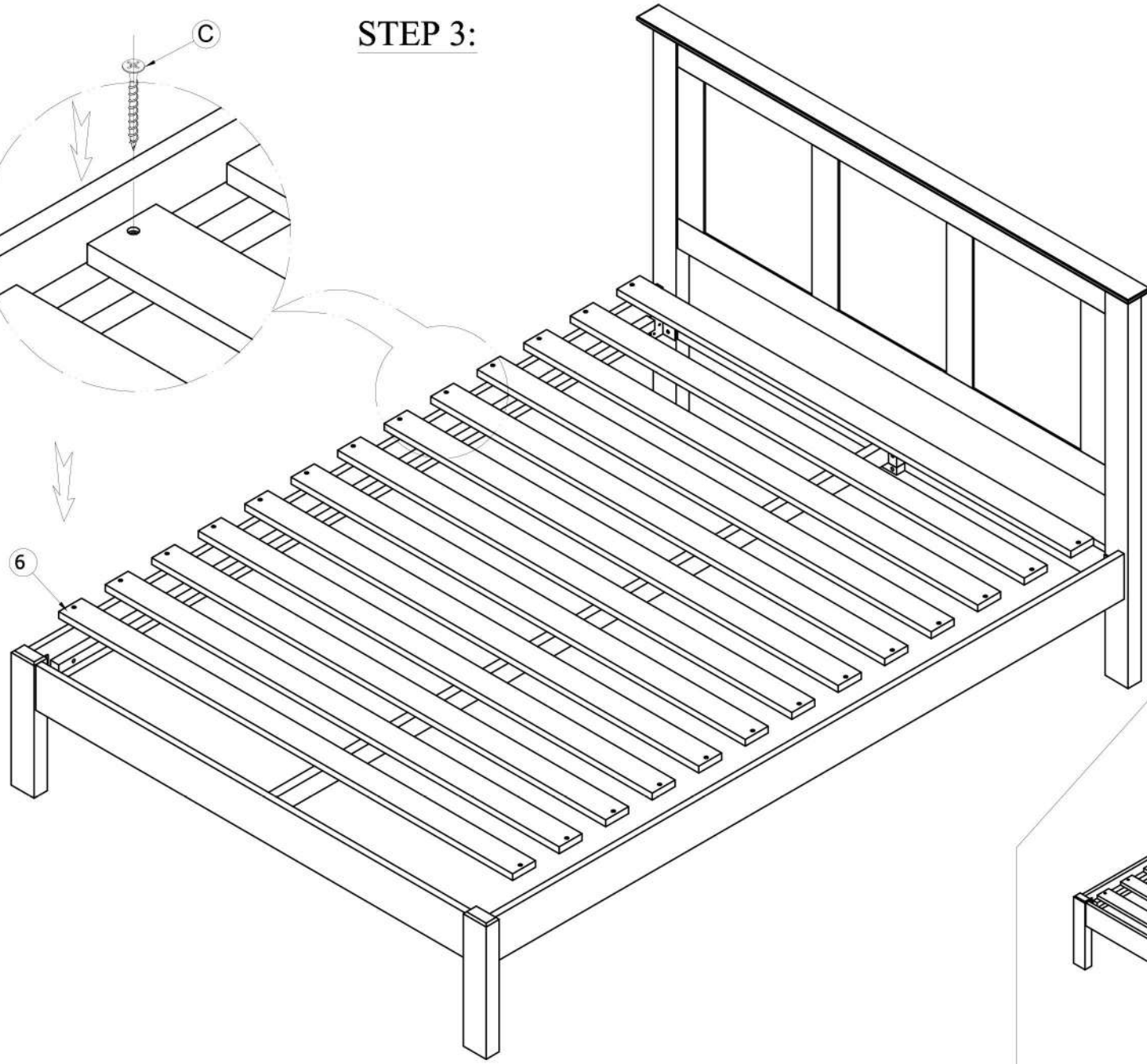


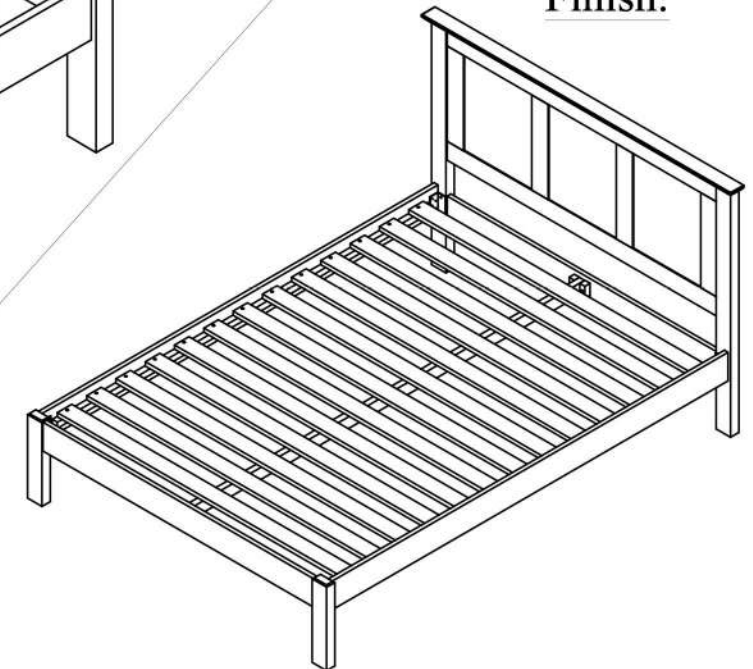
STEP 3:



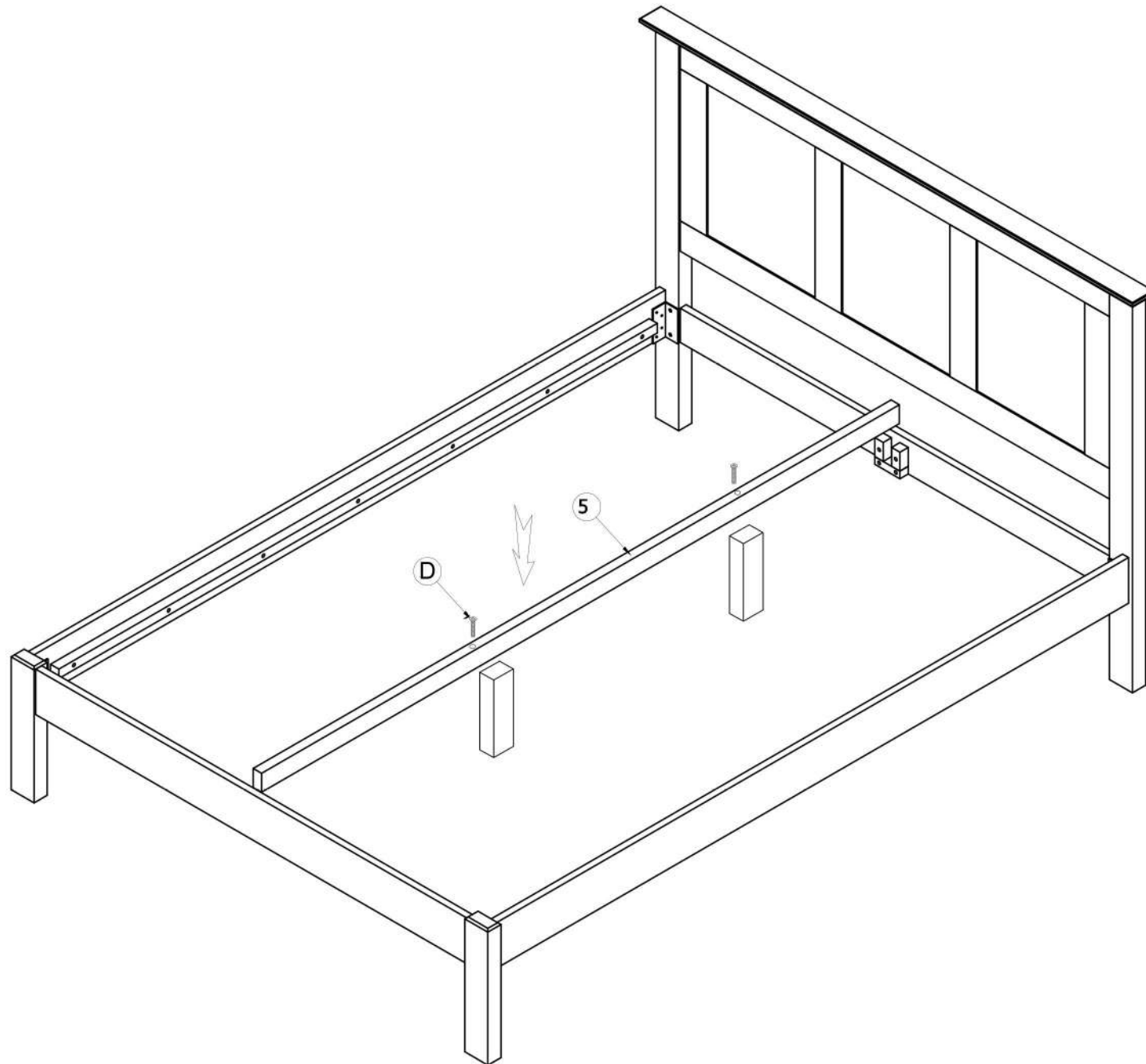
6



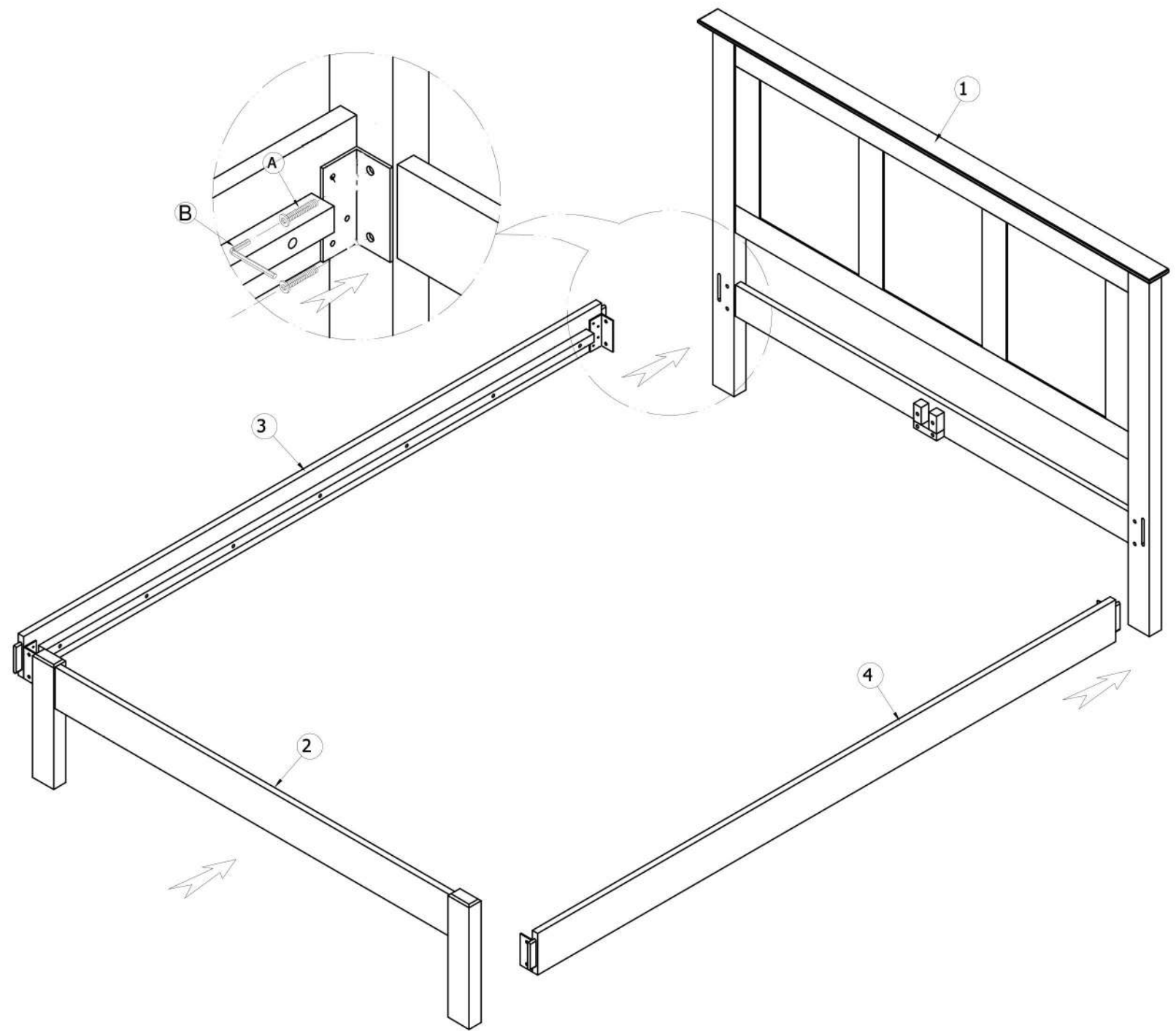
Finish:

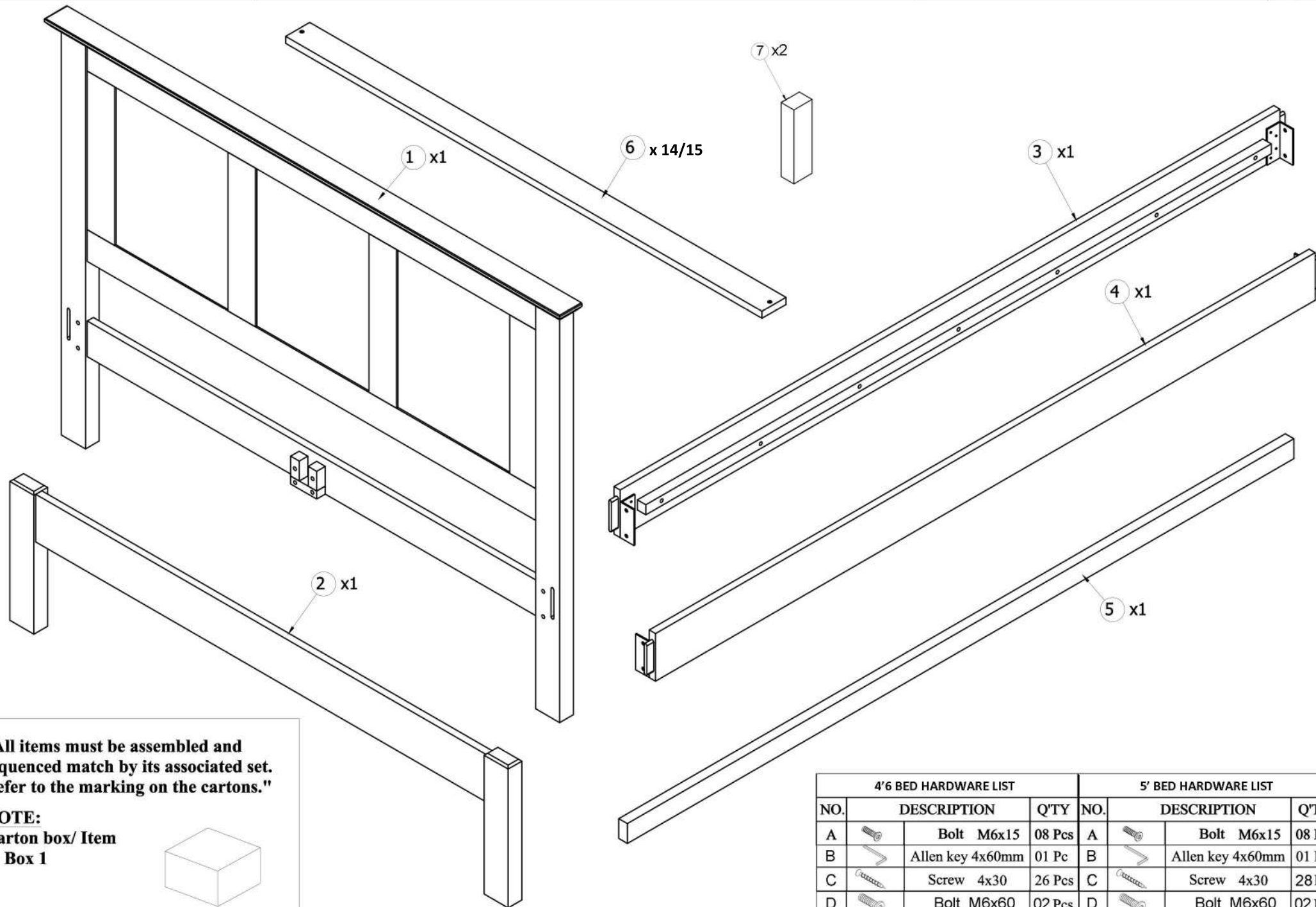


STEP 2:












STEP 1:





"All items must be assembled and sequenced match by its associated set. Refer to the marking on the cartons."
NOTE:
 Carton box/ Item
 ► Box 1



4'6 BED HARDWARE LIST				5' BED HARDWARE LIST			
NO.	DESCRIPTION	Q'TY		NO.	DESCRIPTION	Q'TY	
A	 Bolt M6x15	08 Pcs		A	 Bolt M6x15	08 Pcs	
B	 Allen key 4x60mm	01 Pc		B	 Allen key 4x60mm	01 Pc	
C	 Screw 4x30	26 Pcs		C	 Screw 4x30	28 Pcs	
D	 Bolt M6x60	02 Pcs		D	 Bolt M6x60	02 Pcs	