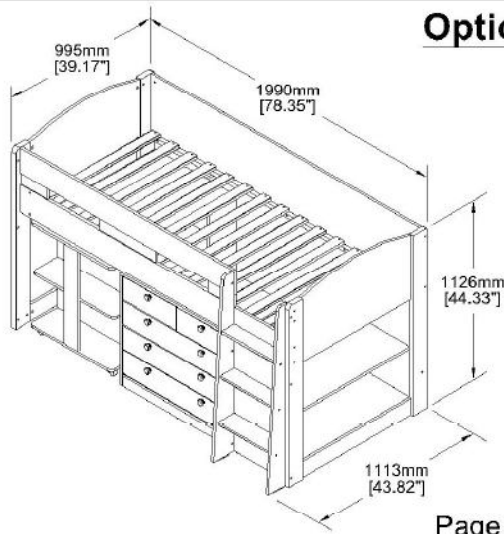


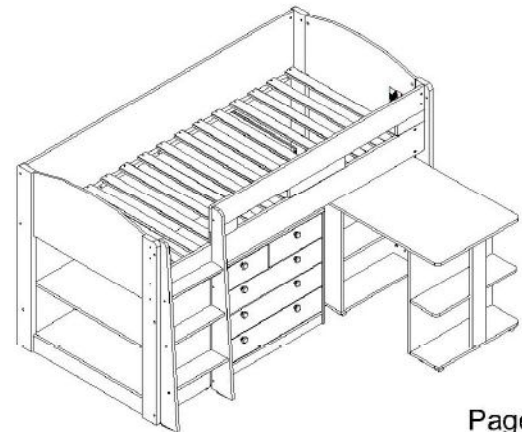
# Model : MG 7509

## Product Size : 920mm x 1930mm (Base int Size)

Thank you for purchasing this product. Before starting assembly we suggest you spend a short time reading through this leaflet, then follow the simple step by step guide. Two people are needed to assemble this product.



Page 1 - 23



Page 1 - 13  
Page 24-33

### TOP TIPS BEFORE YOU START !

### IMPORTANT - READ CAREFULLY - RETAIN FOR FUTURE REFERENCE

1. Please check that all parts & hardware are present before you start the assembly of your furniture.
2. For ease and speed of assembly, we recommend that before you commence each step of the assembly, Please identify all the parts required for that step.
3. We recommend that where possible, all items are assembled near to the area in which they will be placed in use, to avoid moving the product unnecessarily once assembled.
4. For the protection of your furniture, particularly items of high gloss finish, we recommend that the product is placed on a Protected surface during assembly to prevent any damage.
5. During assembly please take care not to over-tighten any fittings, as this may damage the product.

### CARE AND MAINTENANCE OF YOUR FURNITURE

- Please periodically check all fittings and re-tighten as necessary.
- To clean your item, please use a damp cloth and wipe clean.
- Never allow any kind of liquid to remain on your furniture. Absorption can cause wood to warp or finishes to de-laminate.
- Please do not place hot items (e.g hot drinks) directly on the wood surface.
- Please do not drag or pull your furniture.

### IMPORTANT INFORMATION

1. Thickness of mattress should not exceed 212mm.
2. Children should be discouraged from playing on top of this bunk bed.
3. The bunk bed should be checked periodically by the owner to ensure that the guardrail, ladder, and other components are maintained in the correct position and state of repair and that all connectors are tight.
4. A bunk bed is not to be placed near a ceiling fan unless the distance between the closest points on the ceiling fan bunk Bed is at least 2 metres.
5. Use guardrails on both sides of upper bunk.
6. Prohibit horseplay on or under bed(s).
7. Prohibit more than one person on upper bunk.
8. Use Ladder for entering and leaving upper bunk.
9. If the bunk bed will be placed next to the wall, the guardrail that runs the full length of the bed should be placed against The wall to prevent entrapment between the bed and the wall.
10. **WARNING** Do not use the bunk bed/high bed if any structural part is broken or missing.
11. Ventilation of the room is necessary in order to keep the humidity low and to prevent mould in and around the bed.
12. **WARNING** "high beds & the upper bed of bunk beds are not suitable for children under six years due to risk of injury from falls";
13. **WARNING** "children can become trapped between the bed & the wall, a roof pitch, the ceiling, adjoining pieces of furniture (e.g.cupboard) and the like. To avoid risk of serious injury the distance between the top safety barrier and the adjoining structure shall not exceed 75mm nor shall be more than 212mm"
14. always follow the manufacturer's instruction;
15. Recommended Mattress Size : 90cm x 190cm (UK Single) with Maximum Depth of 21.2cm
16. This item conforms to European Safety Standards - BS EN 747-1 : 2012 + A1 : 2015 & BS EN 747-2 : 2012 + A1 : 2015
17. **WARNING** "Bunk beds and high beds can present a serious risk of injury from strangulation if not used correctly. Never attach or hang items to any part of the bunk bed that are not designed to be used with the bed, for example, but not limited to ropes, strings, cords, hooks, belts and bags"
18. High beds and the upper bed of bunk beds is suitable for a maximum mattress thickness of 182mm. The top of mattress must not come above the line marked on the bed.

### STRANGULATION HAZARD:

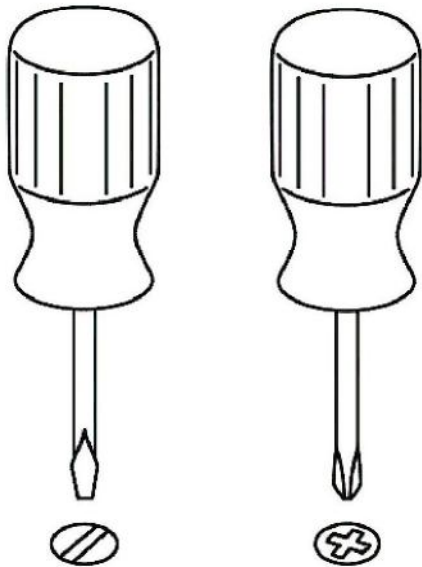
19. Never attach or hang items to any part of the bunk bed that are not designed for use with the bed for example, but not limited to hook, belt and jump ropes.

# Guide To Assembly

## Model : MG 7509

### Tools Required For Assembly

Phillips Screw Driver



DO NOT USE POWER TOOLS TO ASSEMBLE THIS PRODUCT. USE OF POWER TOOLS WILL INVALIDATE ANY CLAIM AND MAY DAMAGE THIS PRODUCT MAKING IT UNSAFE.

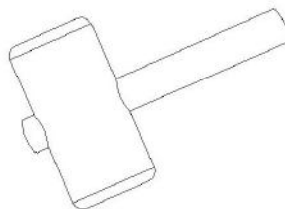


Approximately 2 hour 30 min

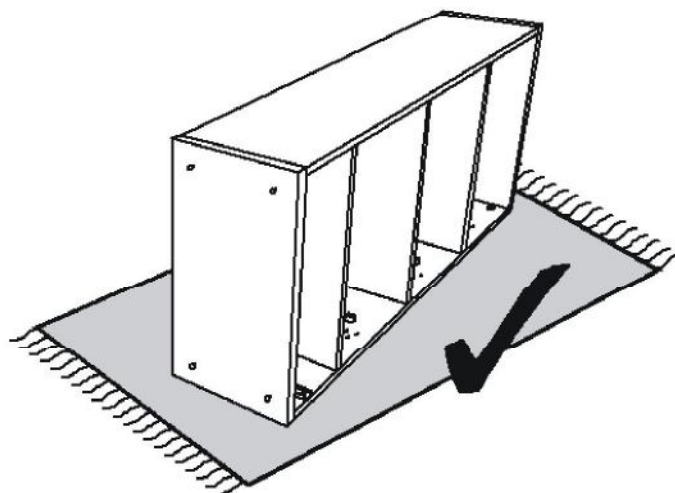
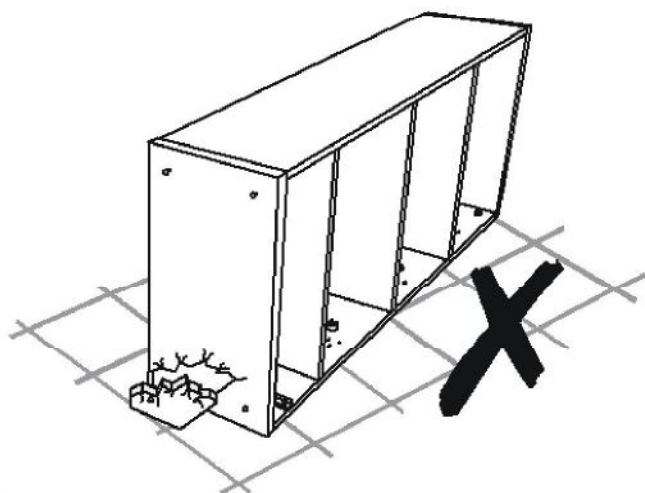
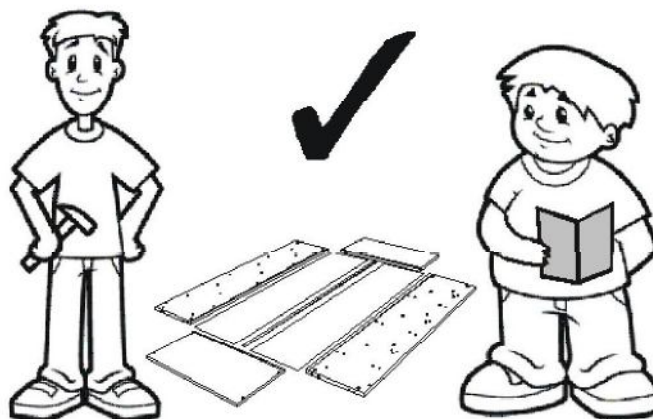
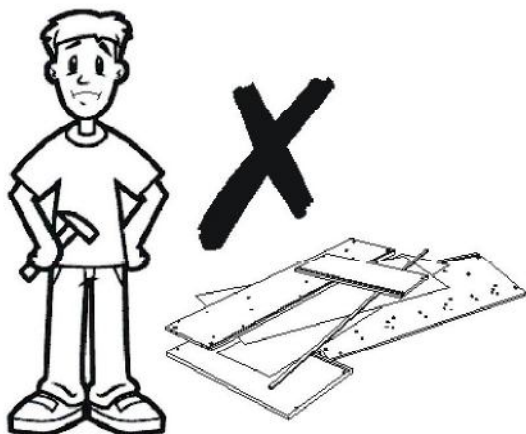


2 People Required

Rubber Hammer



Measure



# Part List

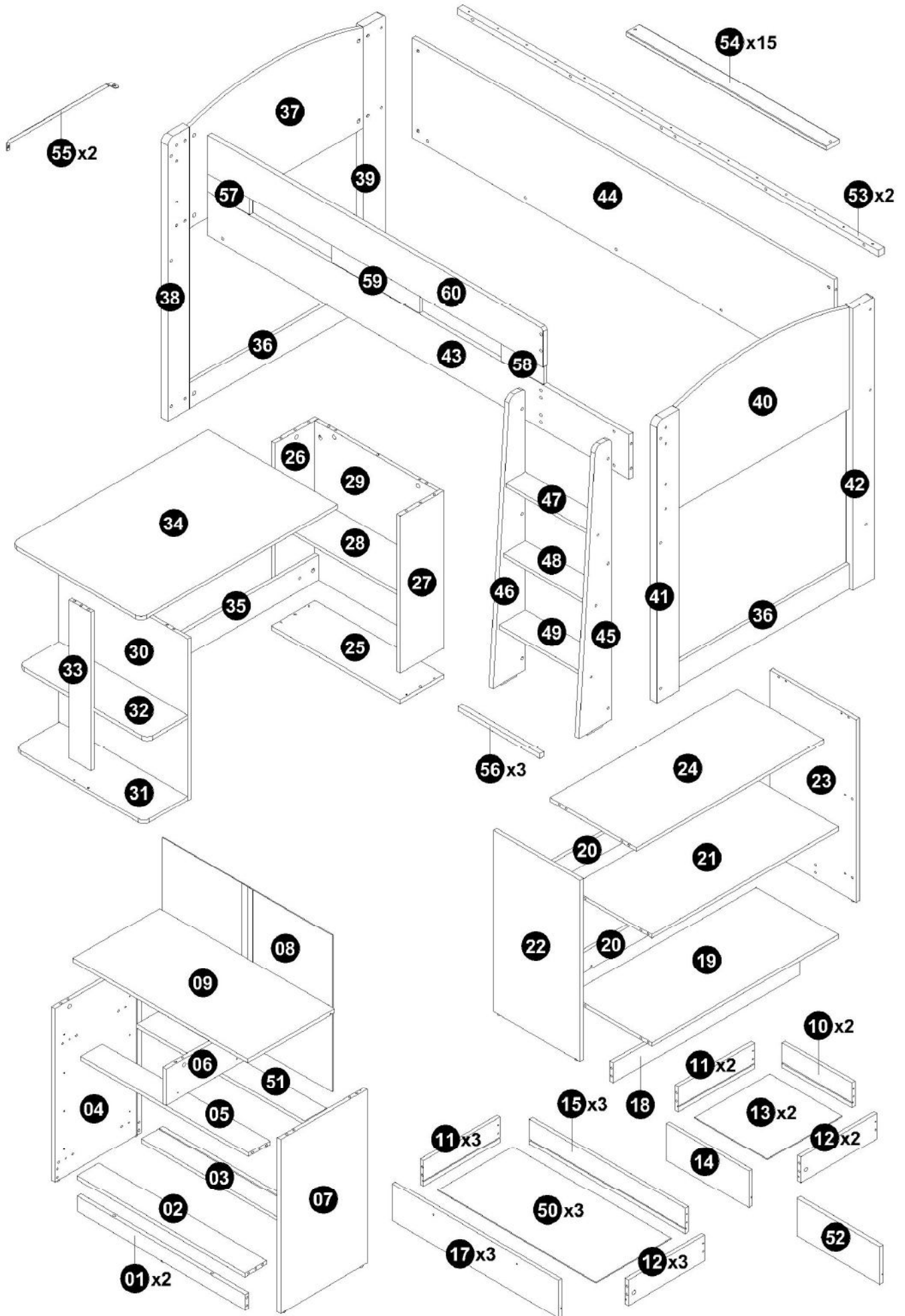
Model : MG 7509

Carton 1 of 4			Carton 3 of 4		
No.	Part Name	Pcs	No.	Part Name	Pcs
36	Bottom Panel (L & R End Panel)	2	01	Plinth Panel (Chest Drawers)	2
37	Center Panel (Left End Panel)	1	02	Bottom Panel (Chest Drawers)	1
38	Front Panel (Left End Panel)	1	03	Back Panel (Chest Drawers)	1
39	Back Panel (Left End Panel)	1	04	Left Panel (Chest Drawers)	1
40	Center Panel (Right End Panel)	1	05	Support Panel (Chest Drawers)	1
41	Front Panel (Right End Panel)	1	06	Center Support (Chest Drawers)	1
42	Back Panel (Right End Panel)	1	07	Right Panel (Chest Drawers)	1
45	Ladder Right Panel	1	08	Back Panel (Chest Drawers)	1
46	Ladder Left Panel	1	10	Back Panel (Drawer)	2
47	3rd Ladder Step	1	11	Left Panel (Drawer)	5
48	2nd Ladder Step	1	12	Right Panel (Drawer)	5
49	1st Ladder Step	1	13	Bottom Panel (Drawer)	2
54	LVL Slat	15	18	Plinth Panel (Shelf)	1
<b>Assembly Instructions + Fitting List</b>			19	Bottom Panel (Shelf)	1
			20	Back Support Panel (Shelf)	2
			21	Center Panel (Shelf)	1
			22	Left Panel (Shelf)	1
Carton 2 of 4			23	Right Panel (Shelf)	1
09	Top Panel (Chest Drawers)	1	50	Bottom Panel (Drawer)	3
24	Top Panel (Shelf)	1	51	Support Panel (Chest Drawers)	1
43	Bottom Panel (Front Side Panel)	1	<b>Carton 4 of 4</b>		
44	Back Side Panel	1			
53	Side Rail	2			
55	Brace	2			
56	Ladder Support Rail	3			
57	Center Panel (Front Side Panel)	1			
58	Center Panel (Front Side Panel)	1			
59	Center Panel (Front Side Panel)	1			
60	Upper Panel (Front Side Panel)	1			
			15	Back Panel (Drawer)	3
			17	Front Panel (Drawer)	3
			25	Bottom Panel (Desk)	1
			26	Left Panel (Desk)	1
			27	Right Panel (Desk)	1
			28	Center Panel (Desk)	1
			29	Back Panel (Desk)	1
			30	Center Panel (Desk)	1
			31	Bottom Panel (Desk)	1
			32	Center Panel (Desk)	1
			33	Front Panel (Desk)	1
			34	Top Panel (Desk)	1
			35	Center Support Panel (Desk)	1
			52	Front Panel (Drawer)	1



# Part List

Model : MG 7509



# Fitting List

Model : MG 7509

## Carton 1 of 4

### Fitting List

No.	Part Name		Pcs
A	Cam Stud (small)		63
B	Cam		75
C	Contractfix Dowel		12
D	M8 x 25mm Wood Dowel		121
E	M8 x 50mm Wood Dowel		20
F	M6 x 45mm Wood Dowel		20
G	45mm Chipboard Screw		10
H	38mm Chipboard Screw		20
J	22mm Chipboard Screw		12
K	14mm Chipboard Screw		81
L *	14" Drawer Slide (SJ)		5 set
M	3524 R/W Handle		8
N	25mm Handle Screw		8
P *	30mm Plate PP Caster		8
Q	PVC Back Support		12
R	M6 x 13mm Baller		18
S	M6 Round Nut		4
T	M6 x 70mm Allen Bolt		10
U	M6 x 40mm Allen Bolt		9
V	M6 x 35mm Allen Bolt		10
W	M6 x 30mm Allen Bolt		32
X	M6 x 25mm Allen Bolt		5
Y	M6 x 12mm Allen Bolt		2
Z	M6 JCN Nut		10
Z1	M6 Allen Wrench		2
Z2	PVC Universal Cap		8
Z3	Sticker		30+2

### Caution

There are many small components used in the construction of this unit. These loose items should be kept away from young children whilst assembling your unit. As an extra precaution, screw cover caps should be permanently fixed in position. (Where applicable)

### USEFUL HINTS & TIPS

Two people will be required to assemble this unit

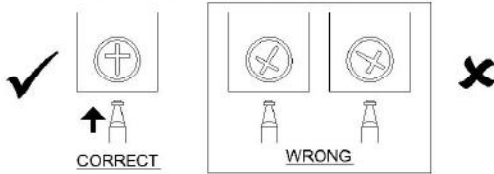
Please keep this assembly instruction for future reference

# Guide To Assembly

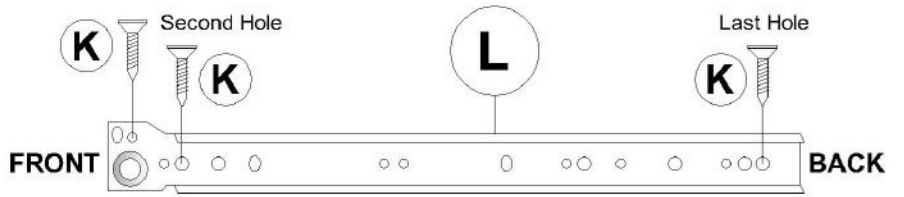
## Model : MG 7509

### WHEN FITTING CAMS

ENSURE STARTING POSITION IS CORRECT  
BEFORE YOU INSERT CONNECTING BOLT  
TURN CLOCKWISE UNTIL SECURE



### To Assembly the Drawer Slide, Please Follow Step as Below



1



A x 14



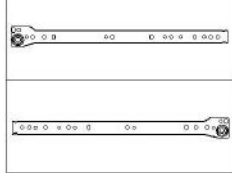
B x 14



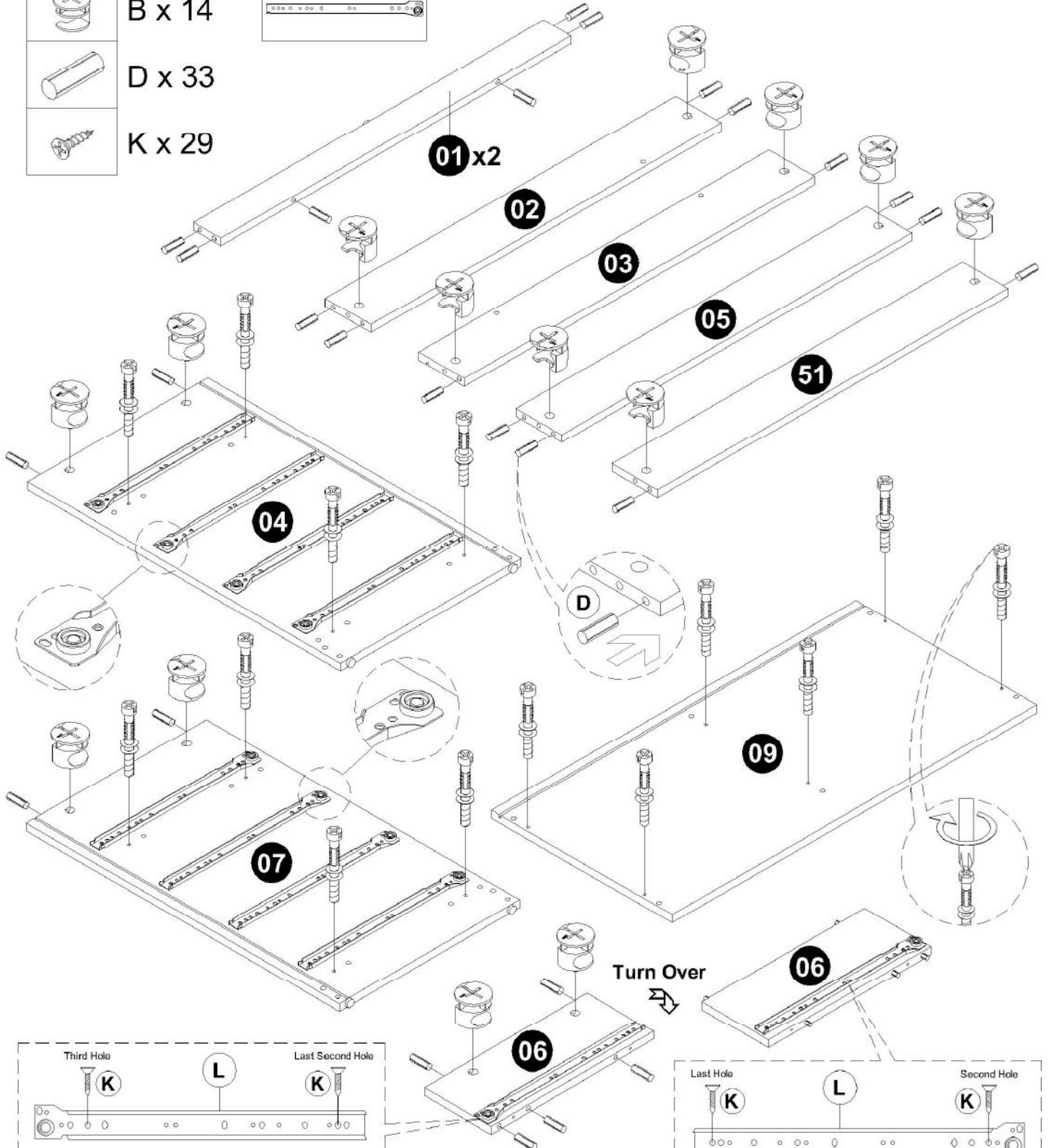
D x 33



K x 29



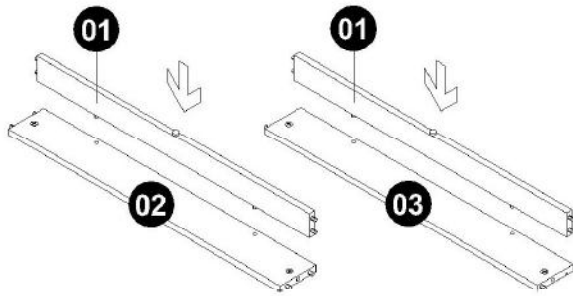
L x 5 sets



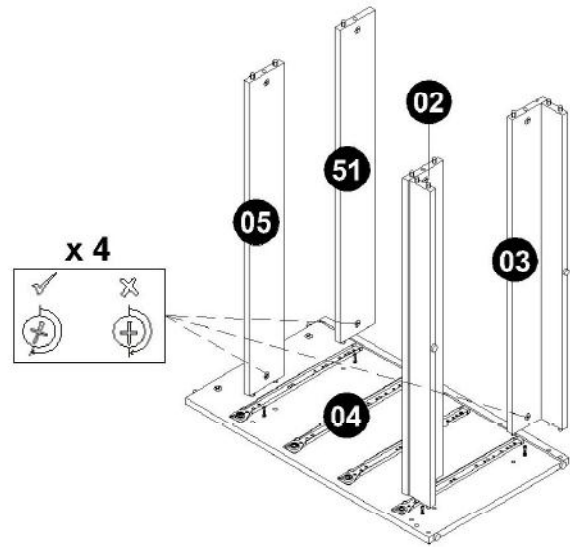
# Guide To Assembly

## Model : MG 7509

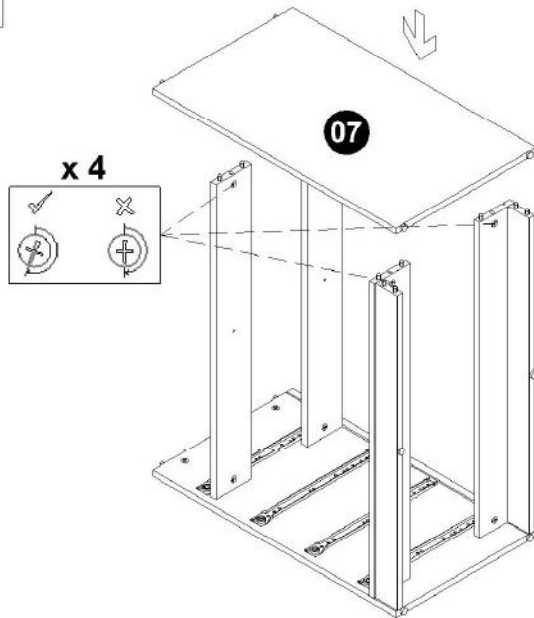
2



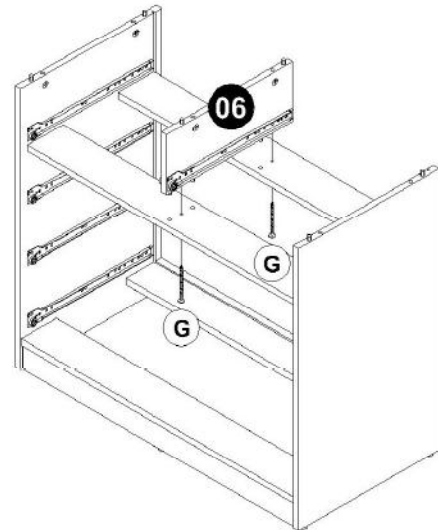
3



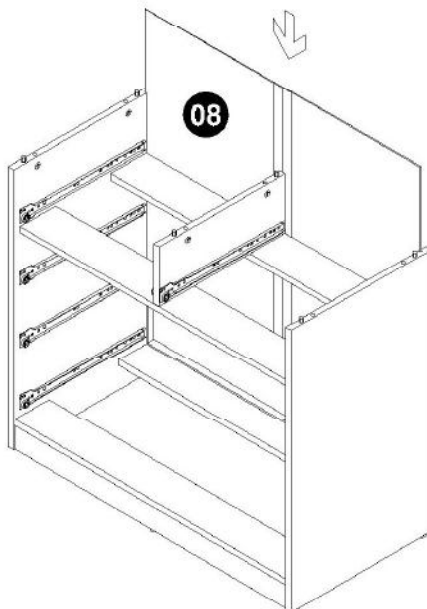
4



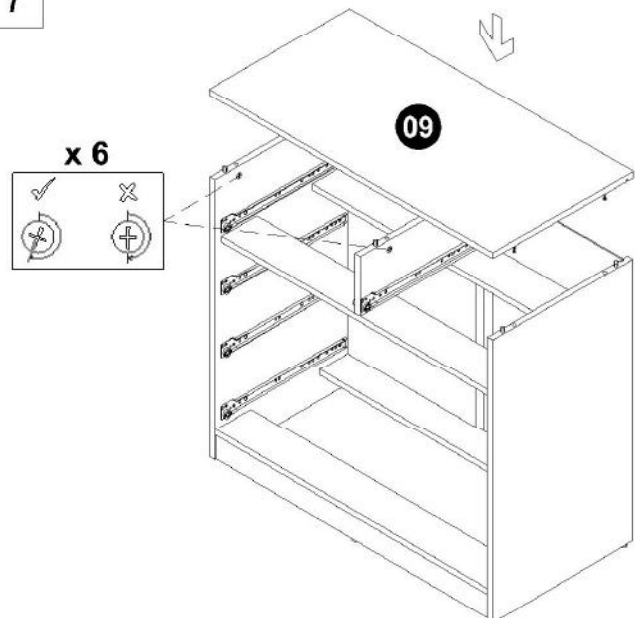
5



6



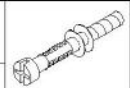
7



# Guide To Assembly

## Model : MG 7509

8



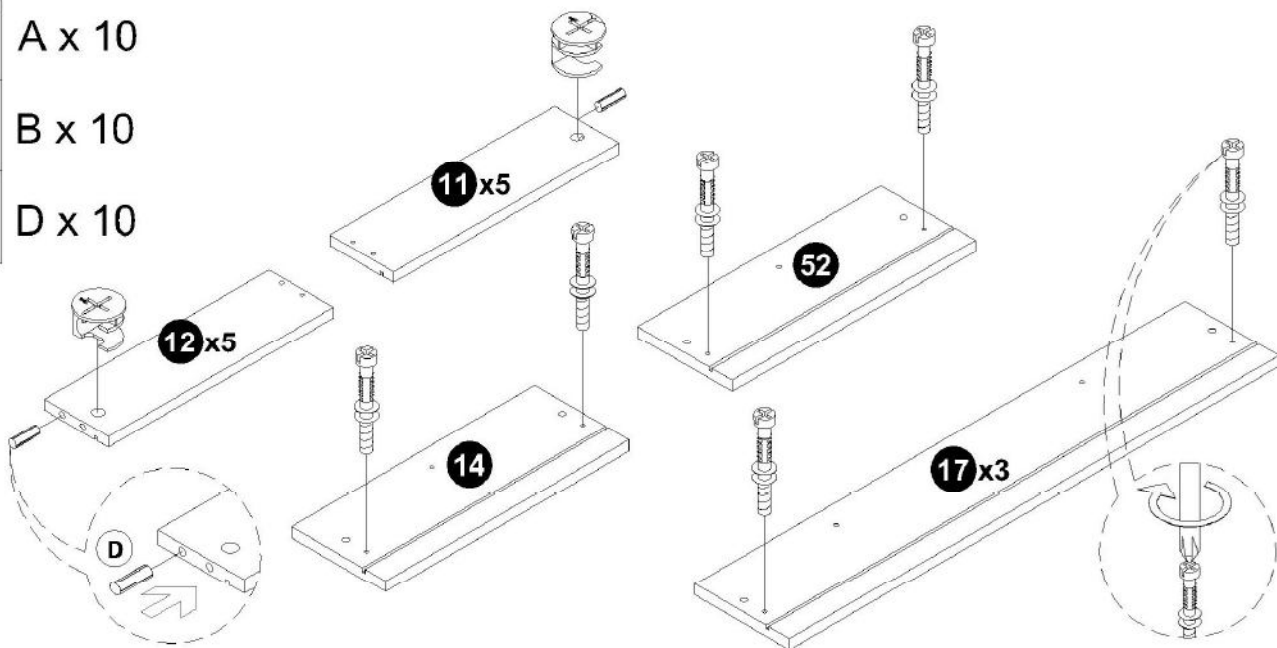
A x 10



B x 10



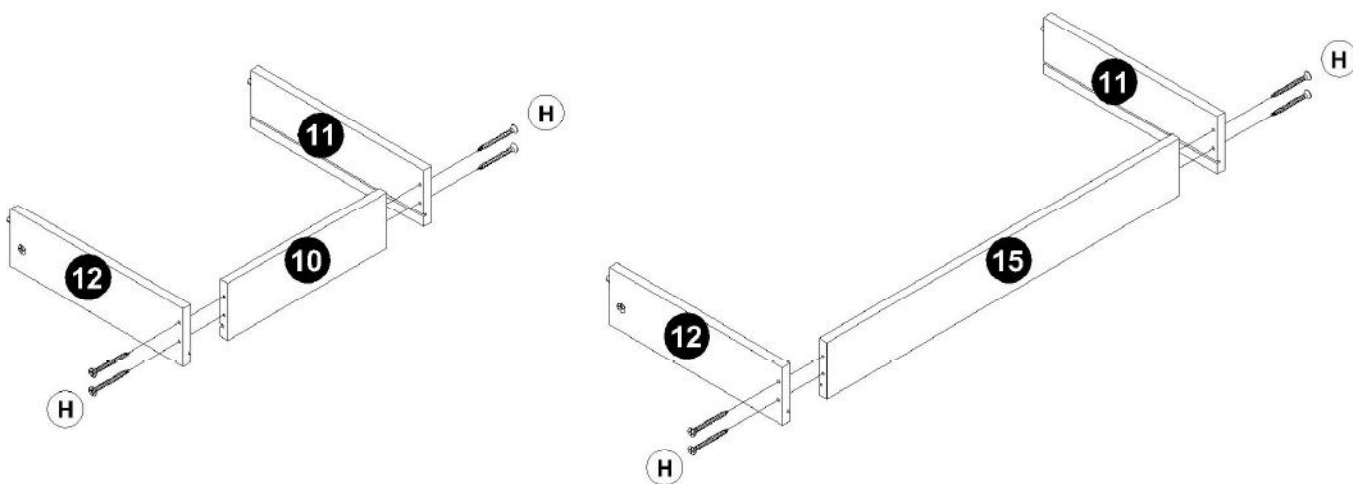
D x 10



9



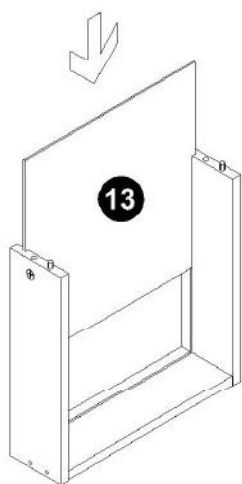
H x 20



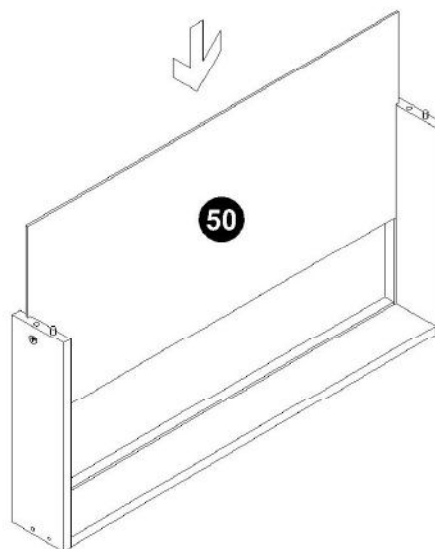
Do This Step 2 Times

Do This Step 3 Times

10



Do This Step 2 Times



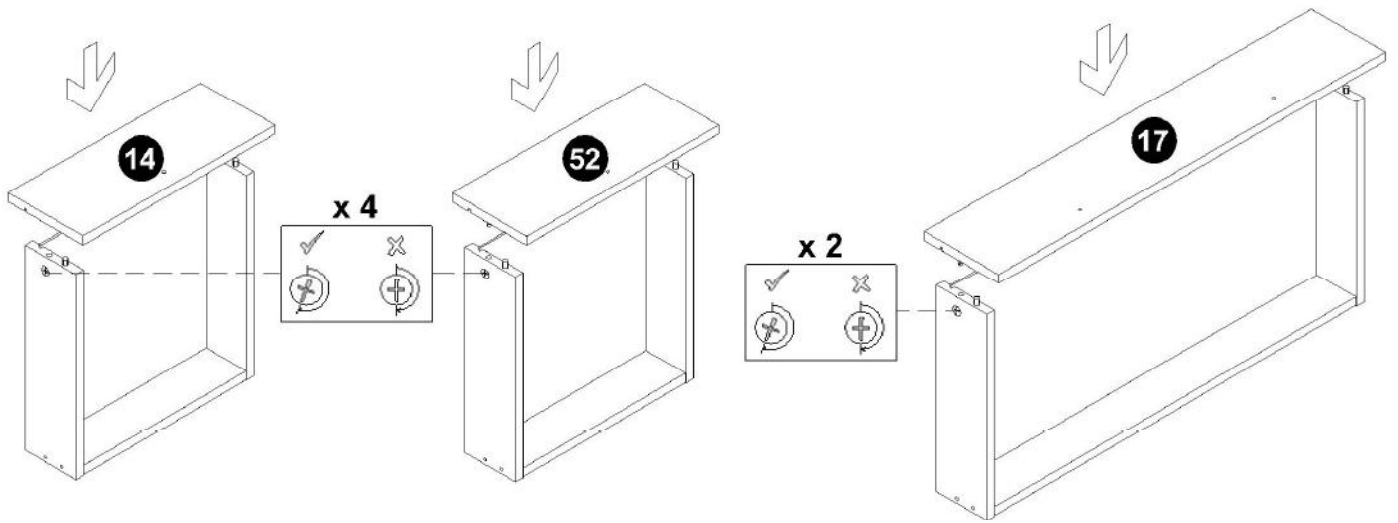
Do This Step 3 Times



# Guide To Assembly

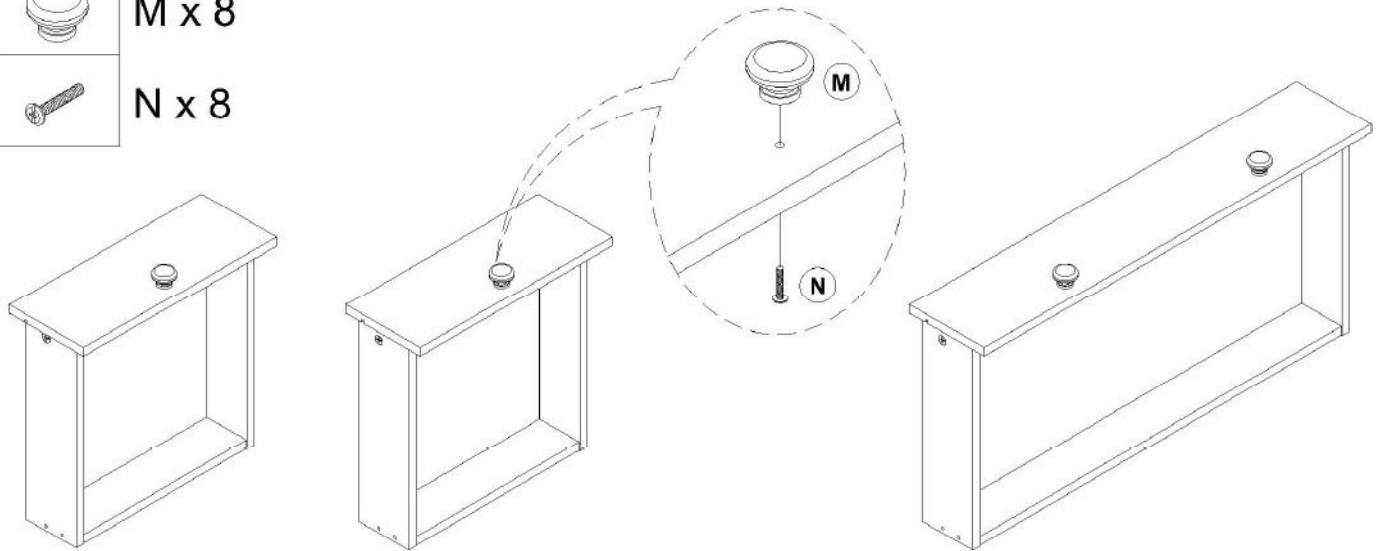
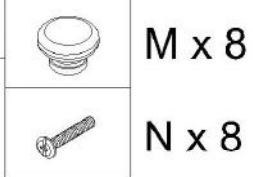
## Model : MG 7509

11



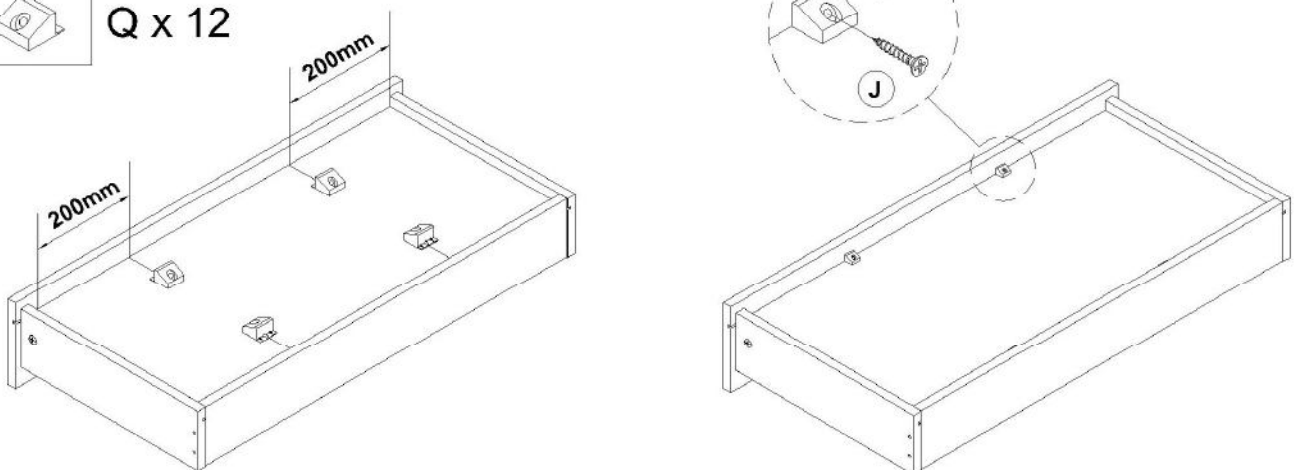
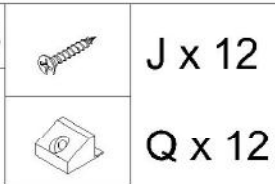
**Do This Step 3 Times**

12



**Do This Step 3 Times**

13



**Do This Step 3 Times**

# Guide To Assembly

## Model : MG 7509

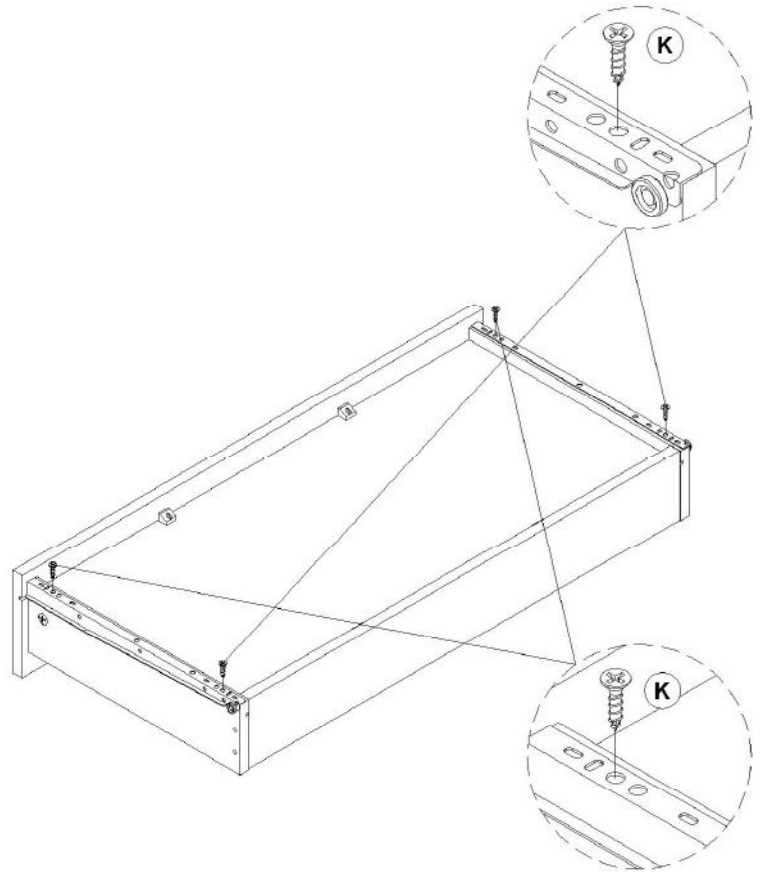
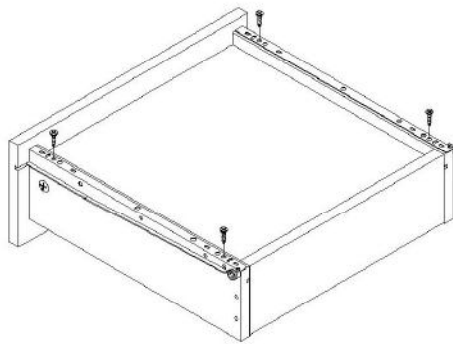
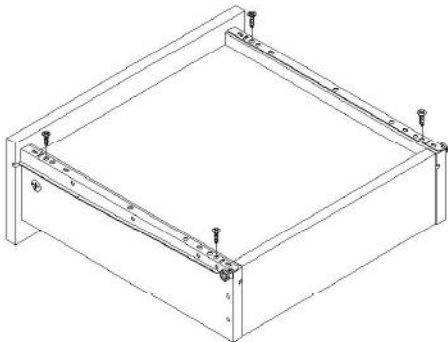
14



K x 20

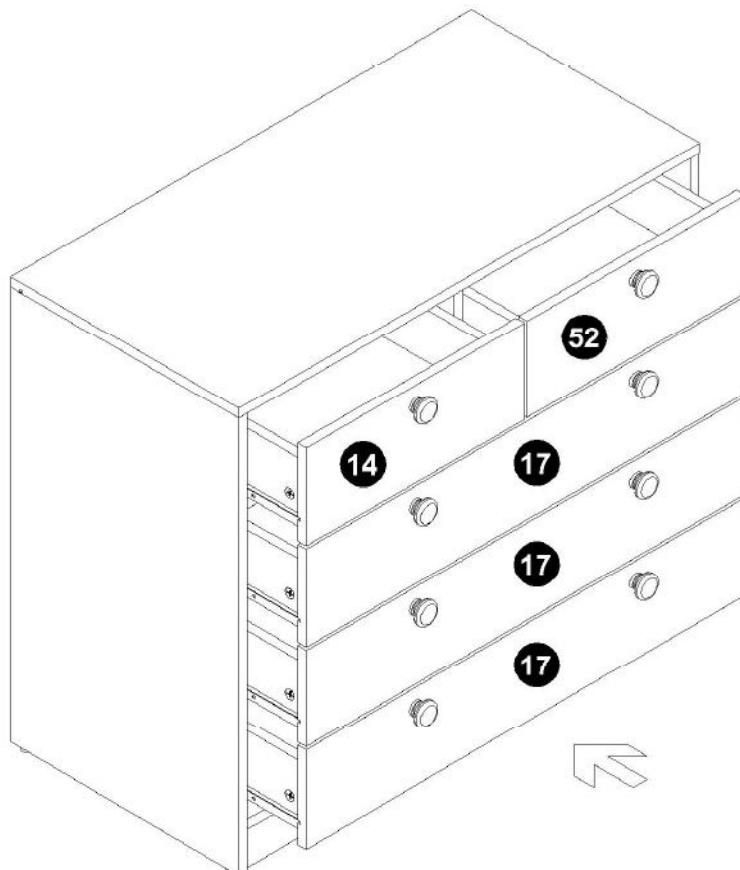


L x 5 sets



**Do This Step 3 Times**

15



# Guide To Assembly

## Model : MG 7509

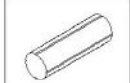
16



A x 13



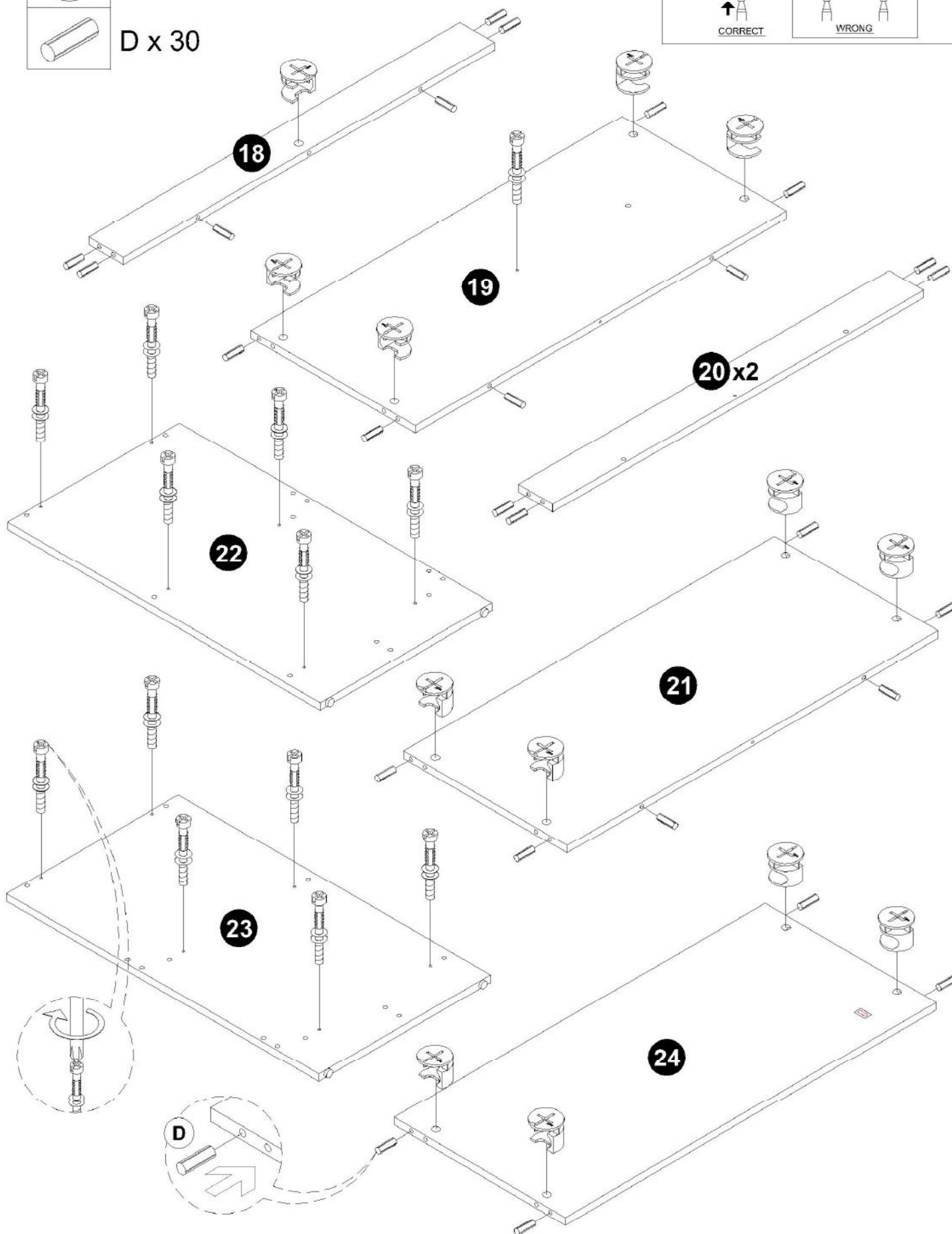
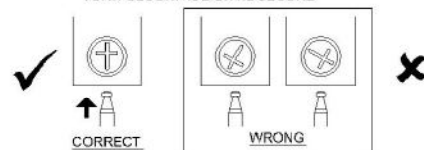
B x 13



D x 30

### WHEN FITTING CAMS

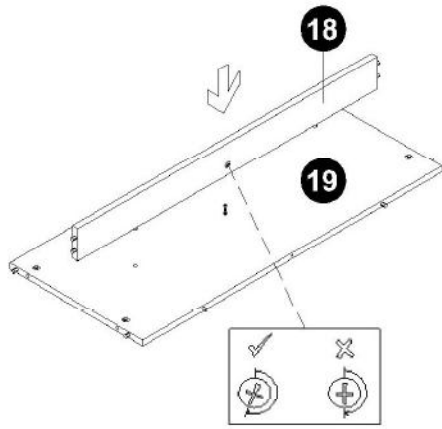
ENSURE STARTING POSITION IS CORRECT  
BEFORE YOU INSERT CONNECTING BOLT  
TURN CLOCKWISE UNTIL SECURE



# Guide To Assembly

## Model : MG 7509

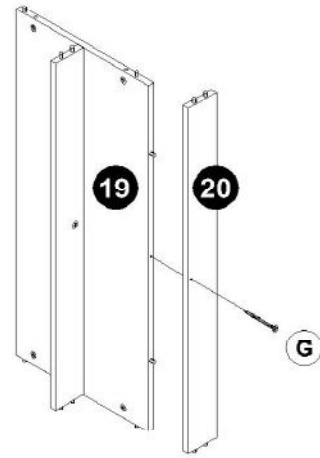
17



18



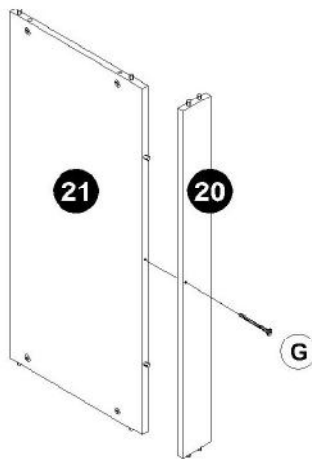
G x 1



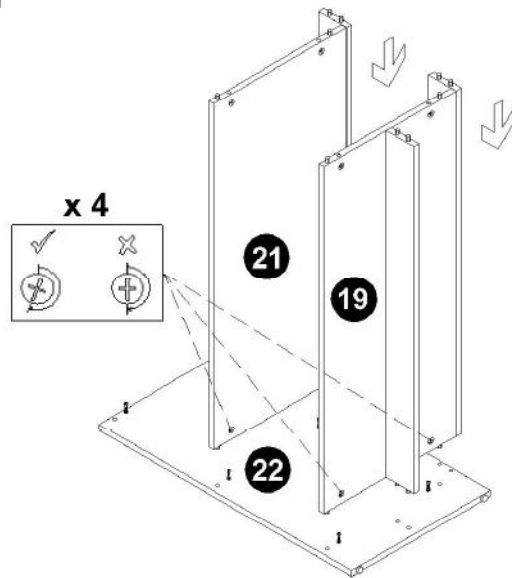
19



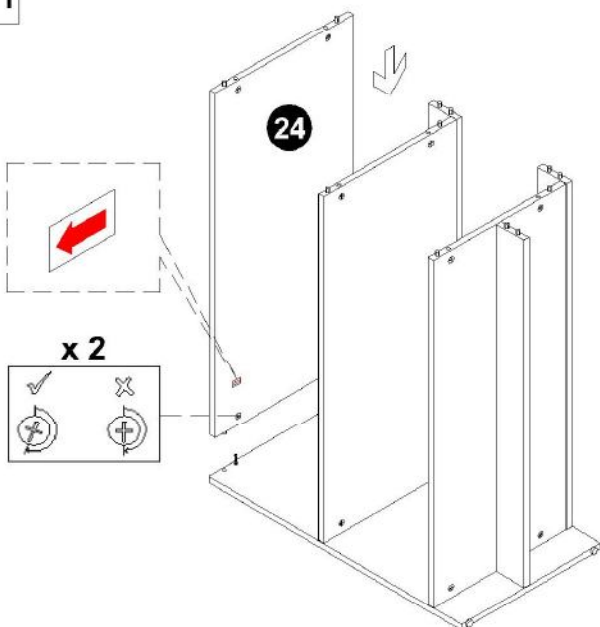
G x 1



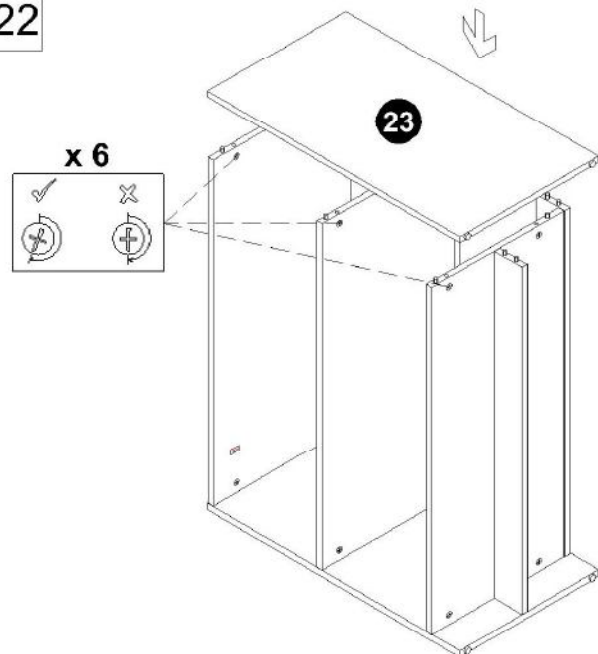
20



21



22





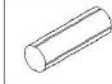
# Guide To Assembly

## Model : MG 7509

23



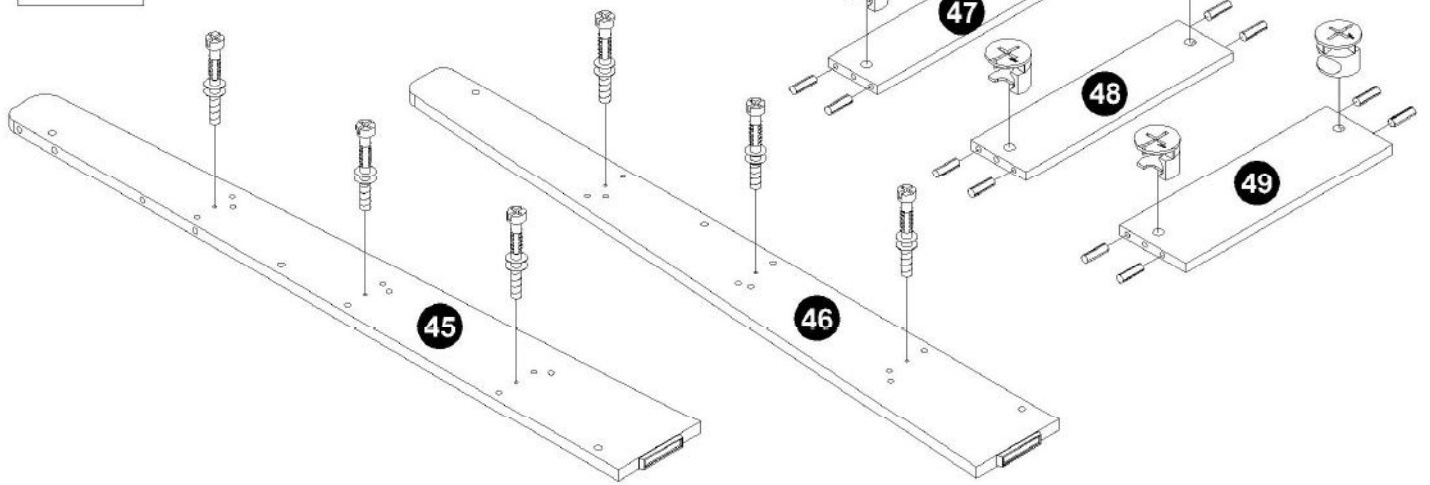
A x 6



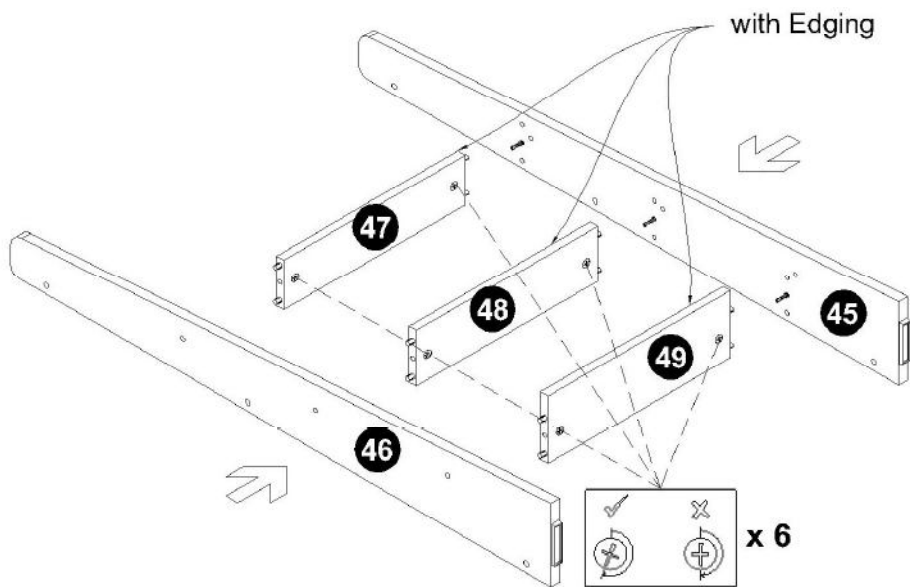
D x 12



B x 6



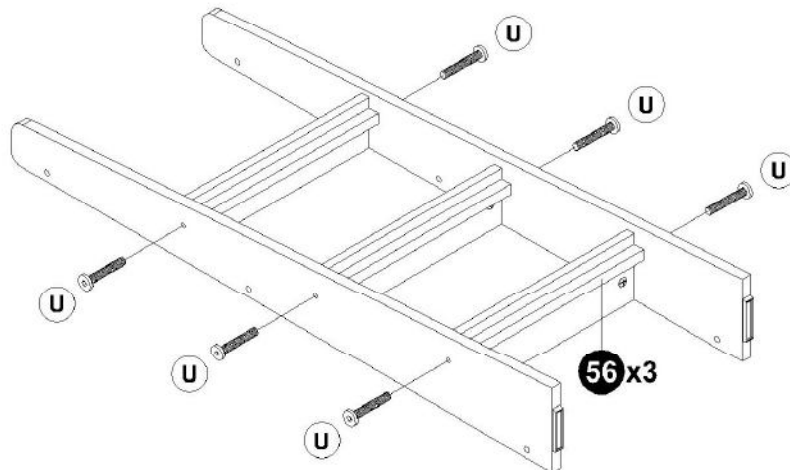
24



25



U x 6



# Guide To Assembly

## Model : MG 7509

Option A

26



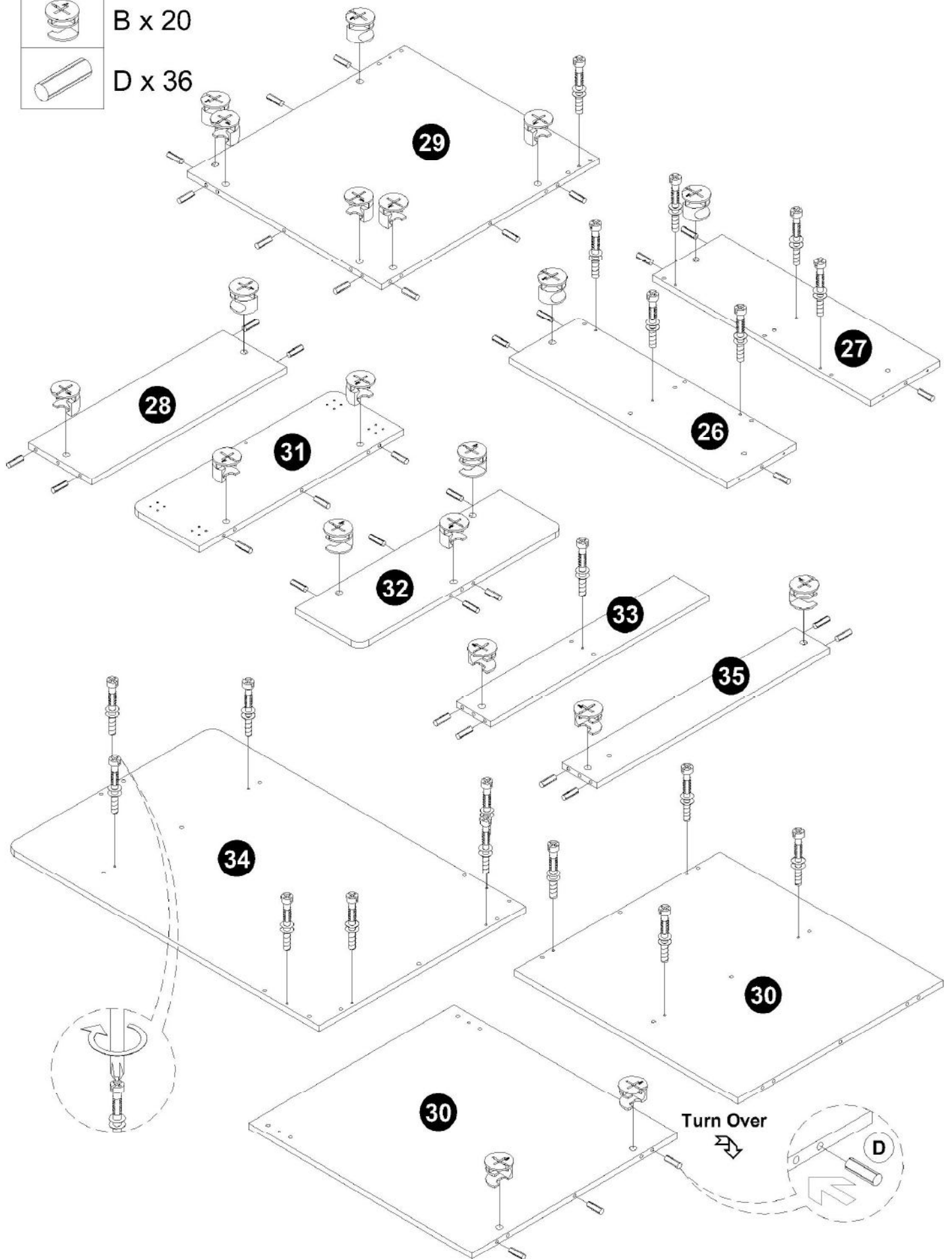
A x 19



B x 20



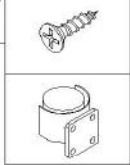
D x 36



# Guide To Assembly

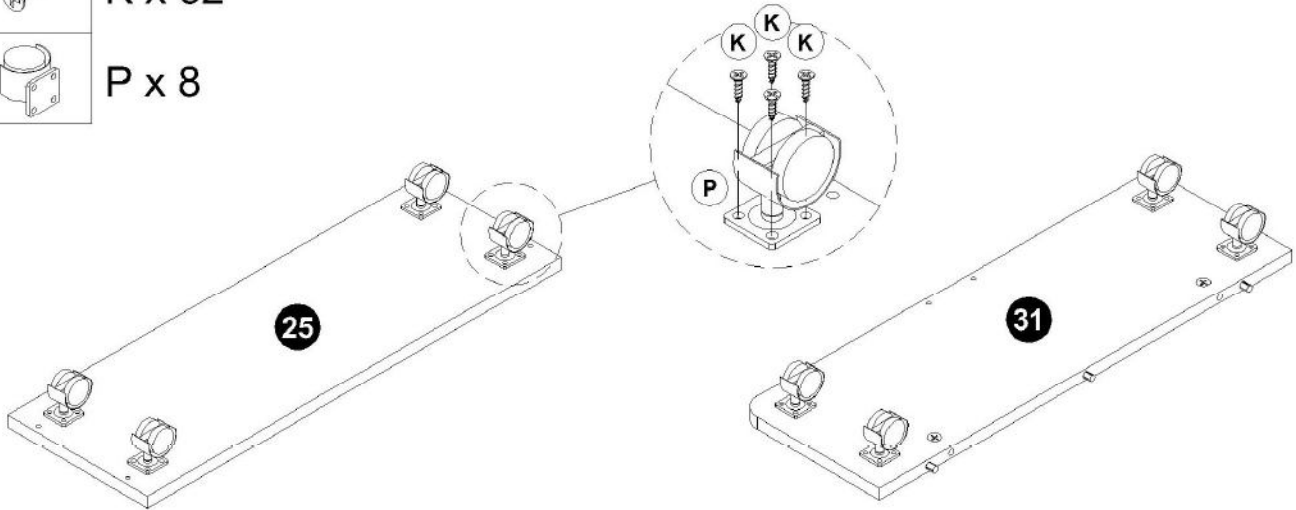
## Model : MG 7509

27

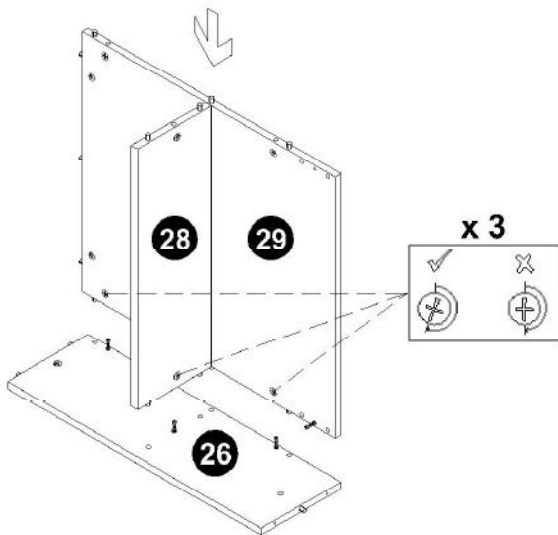


K x 32

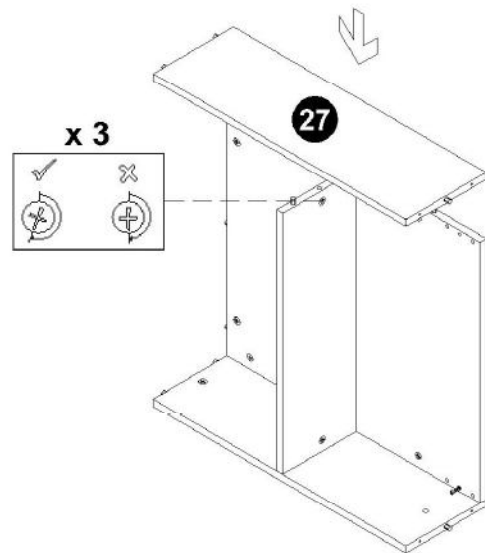
P x 8



28



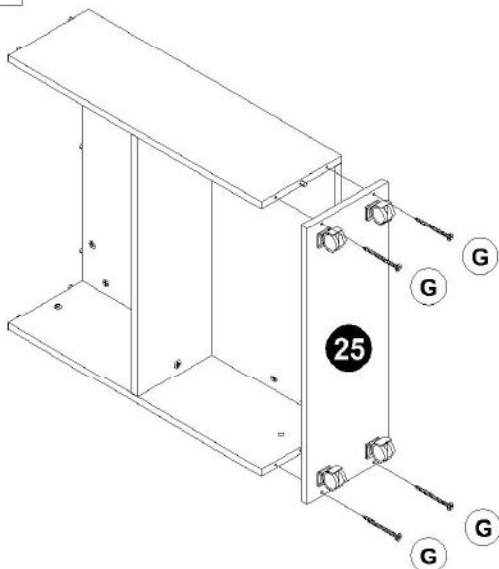
29



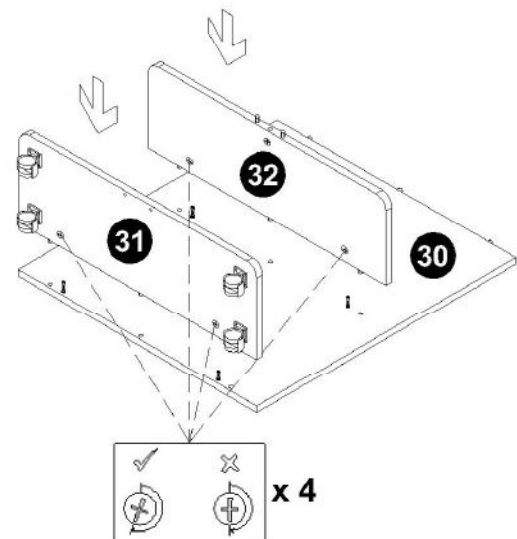
30



G x 4



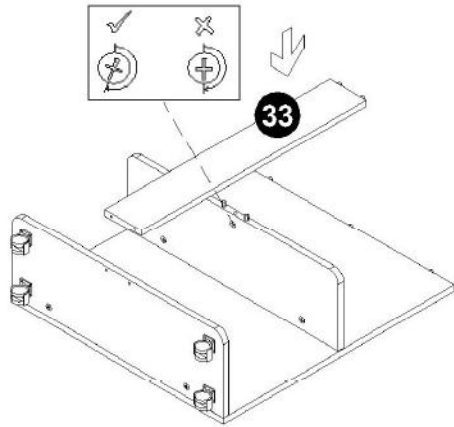
31



# Guide To Assembly

## Model : MG 7509

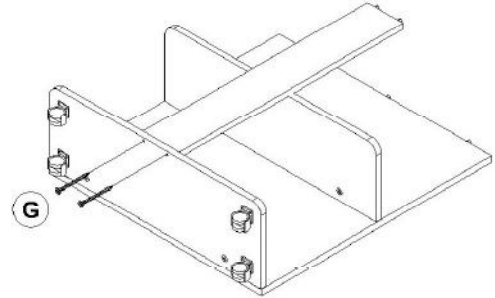
32



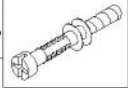
33



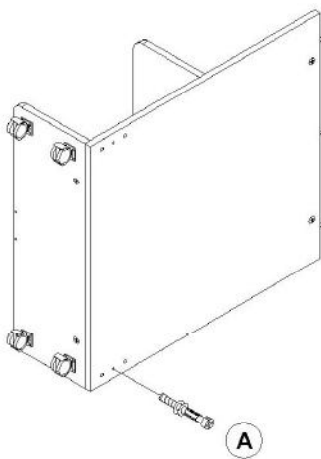
G x 2



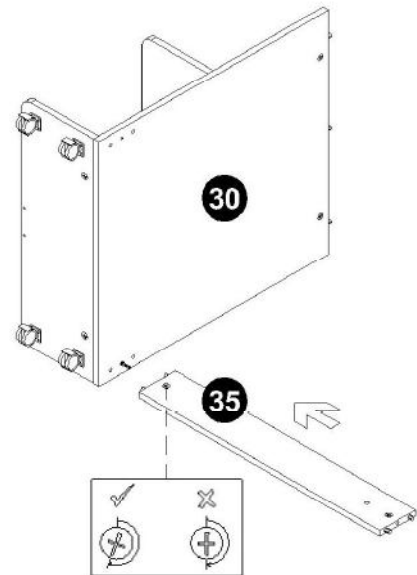
34



A x 1



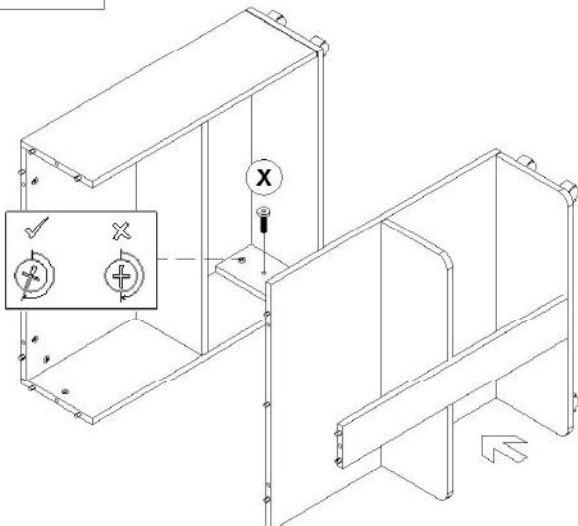
35



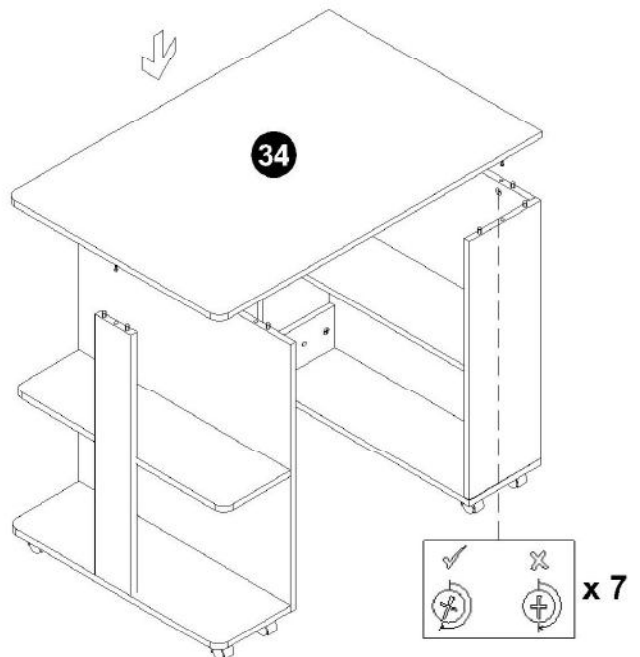
36



X x 1



37







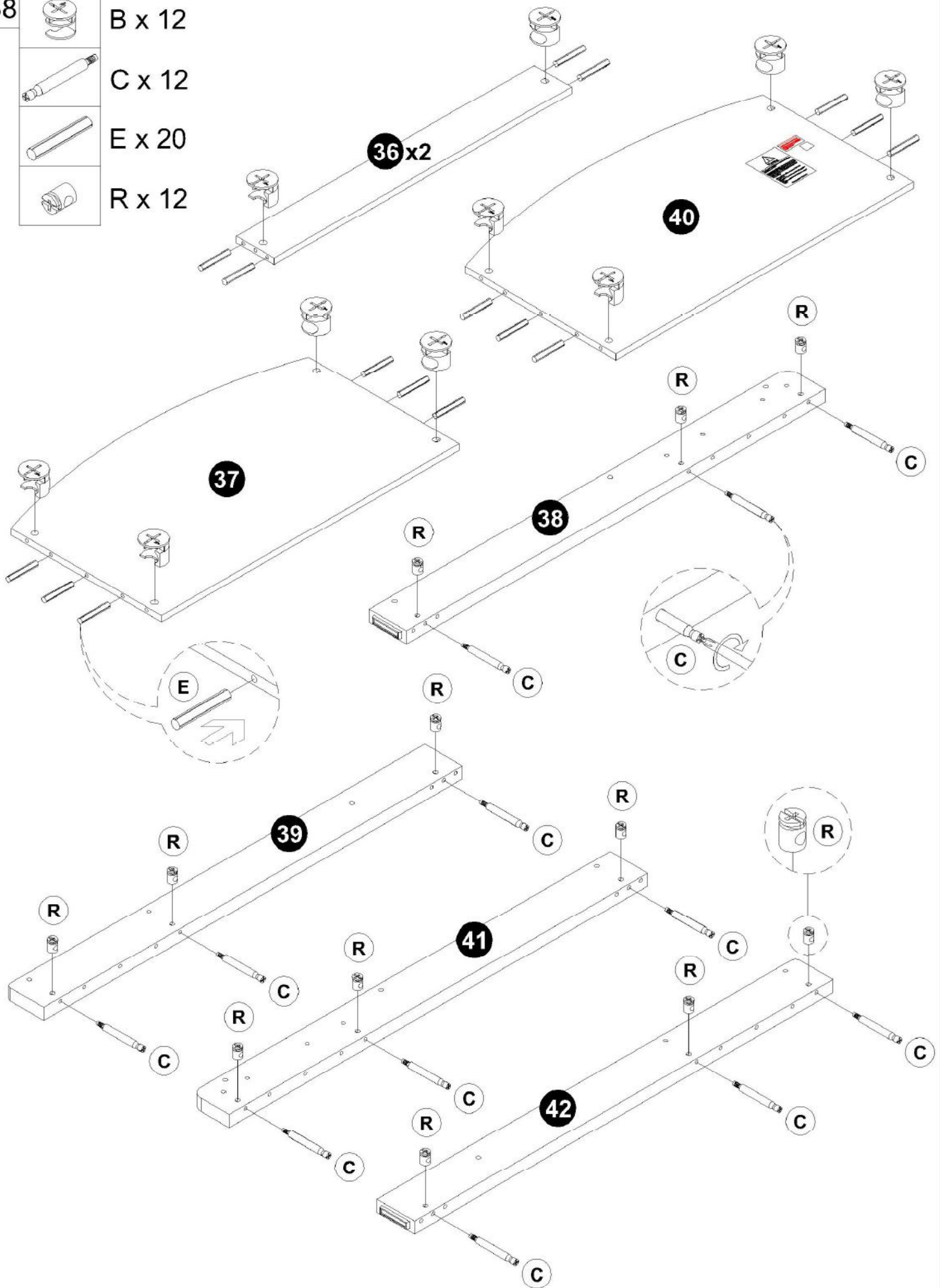


# Guide To Assembly

## Model : MG 7509

38

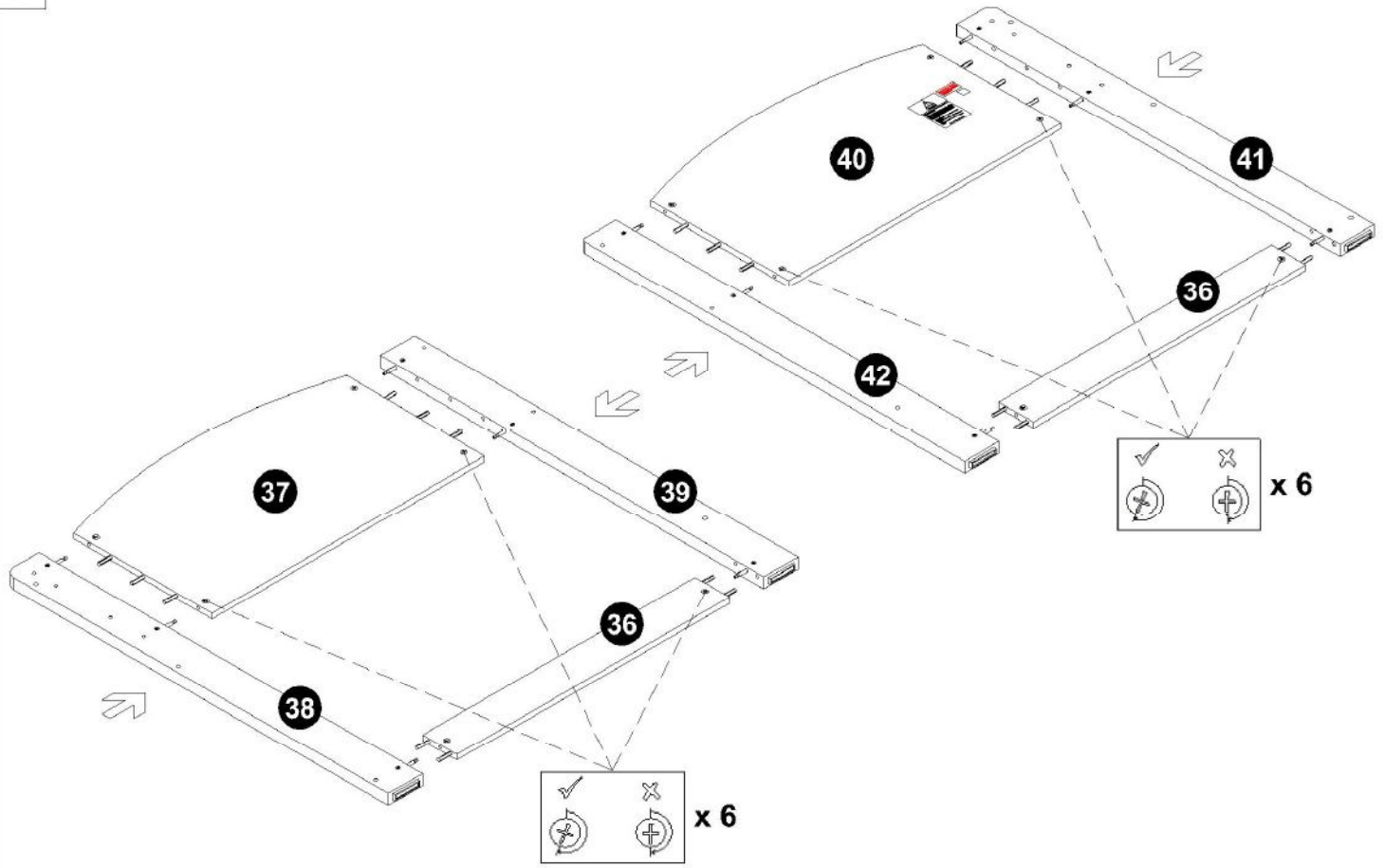
-  B x 12
-  C x 12
-  E x 20
-  R x 12





# Guide To Assembly

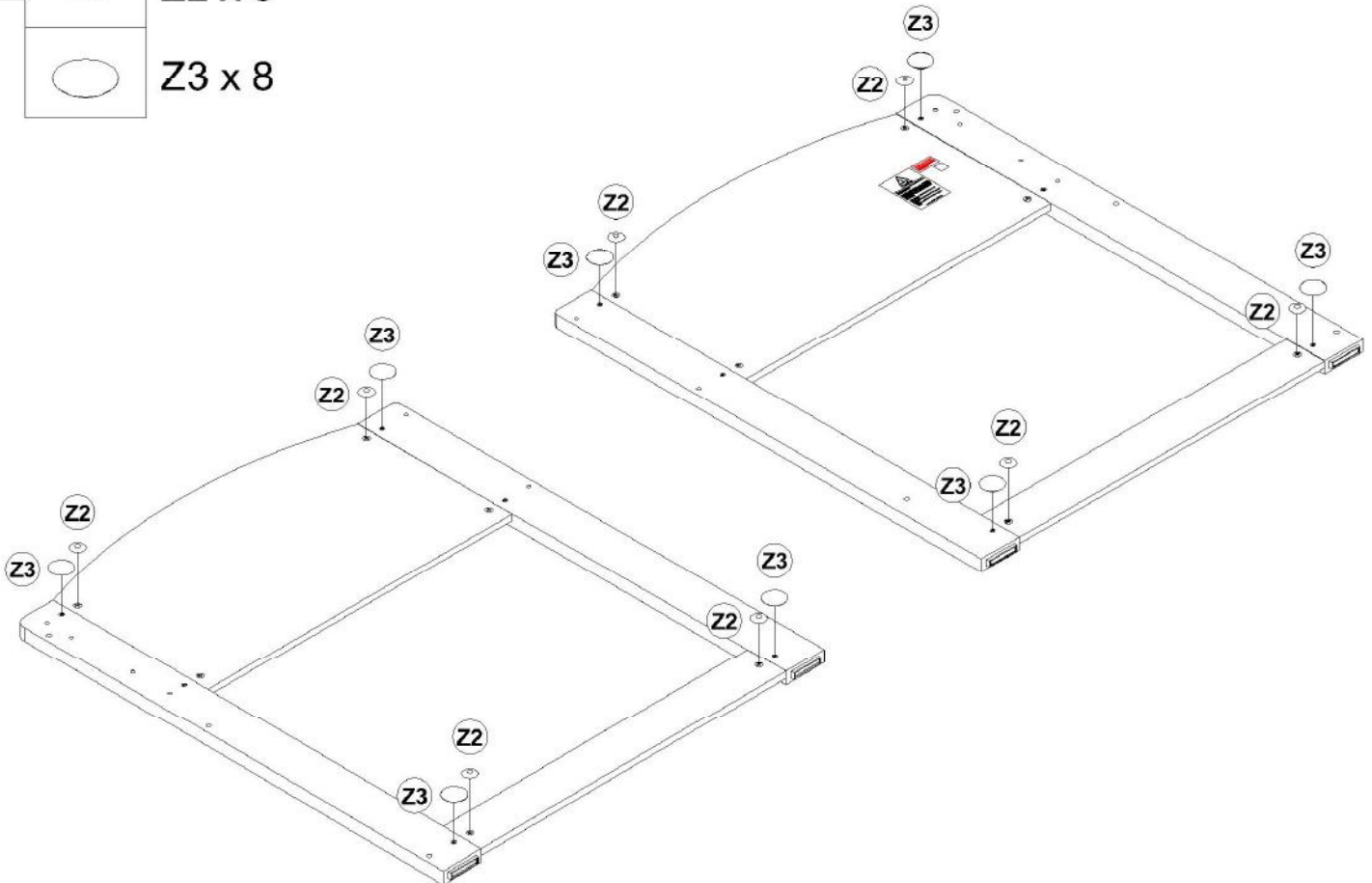
## Model : MG 7509

39



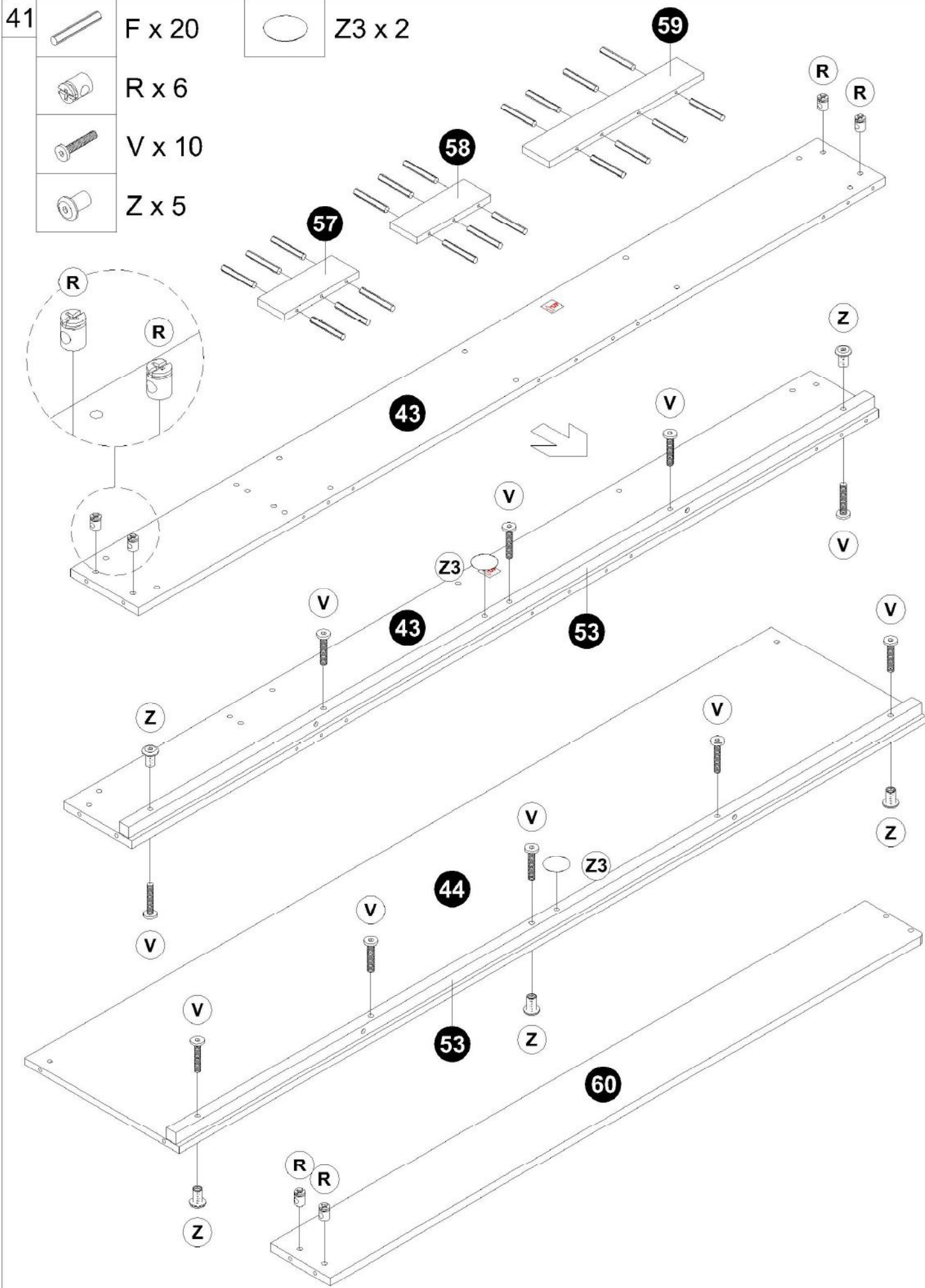
40

-  Z2 x 8
-  Z3 x 8



# Guide To Assembly

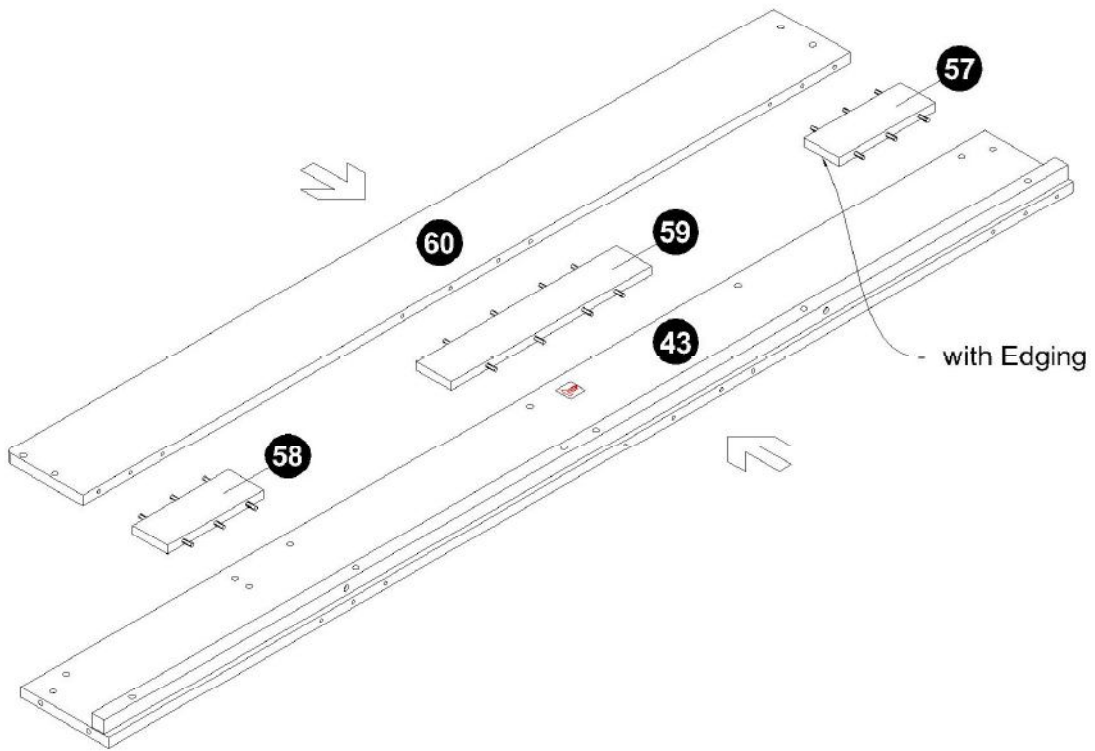
## Model : MG 7509



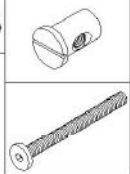
# Guide To Assembly

## Model : MG 7509

42

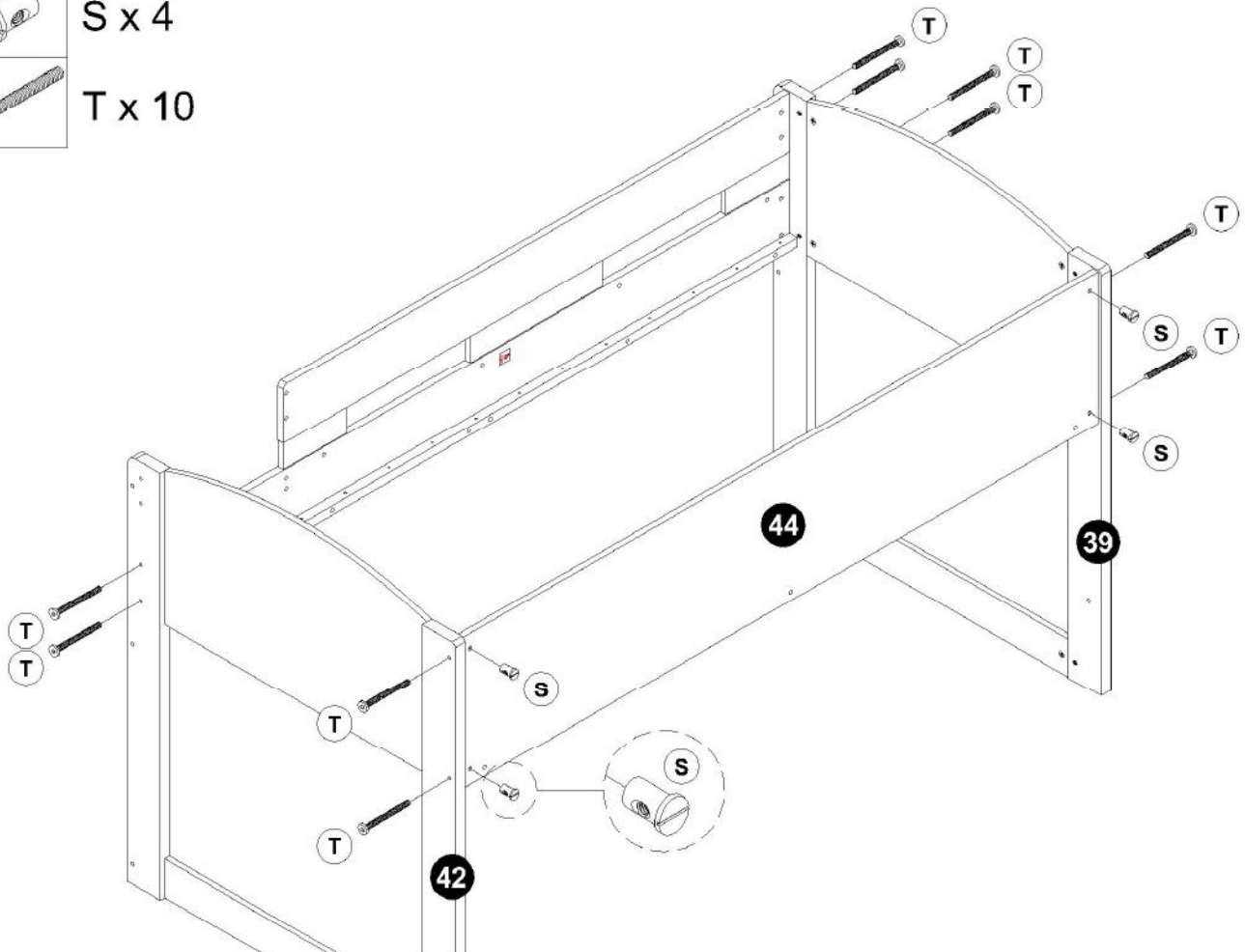


43



S x 4

T x 10





# Guide To Assembly

## Model : MG 7509

44 X x 2



X x 2

Y x 2

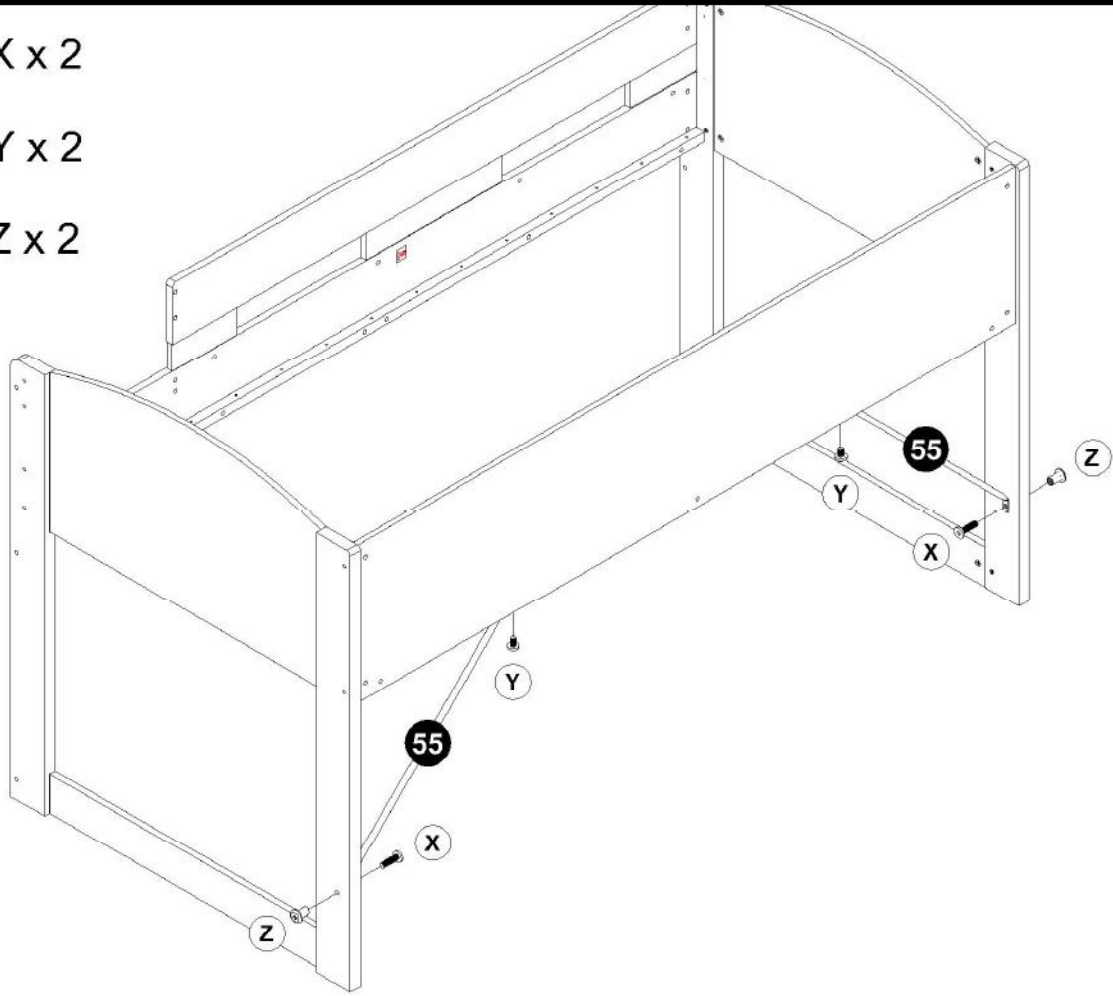


Y x 2

Z x 2



Z x 2



45 U x 3



U x 3

W x 2



W x 2

X x 2

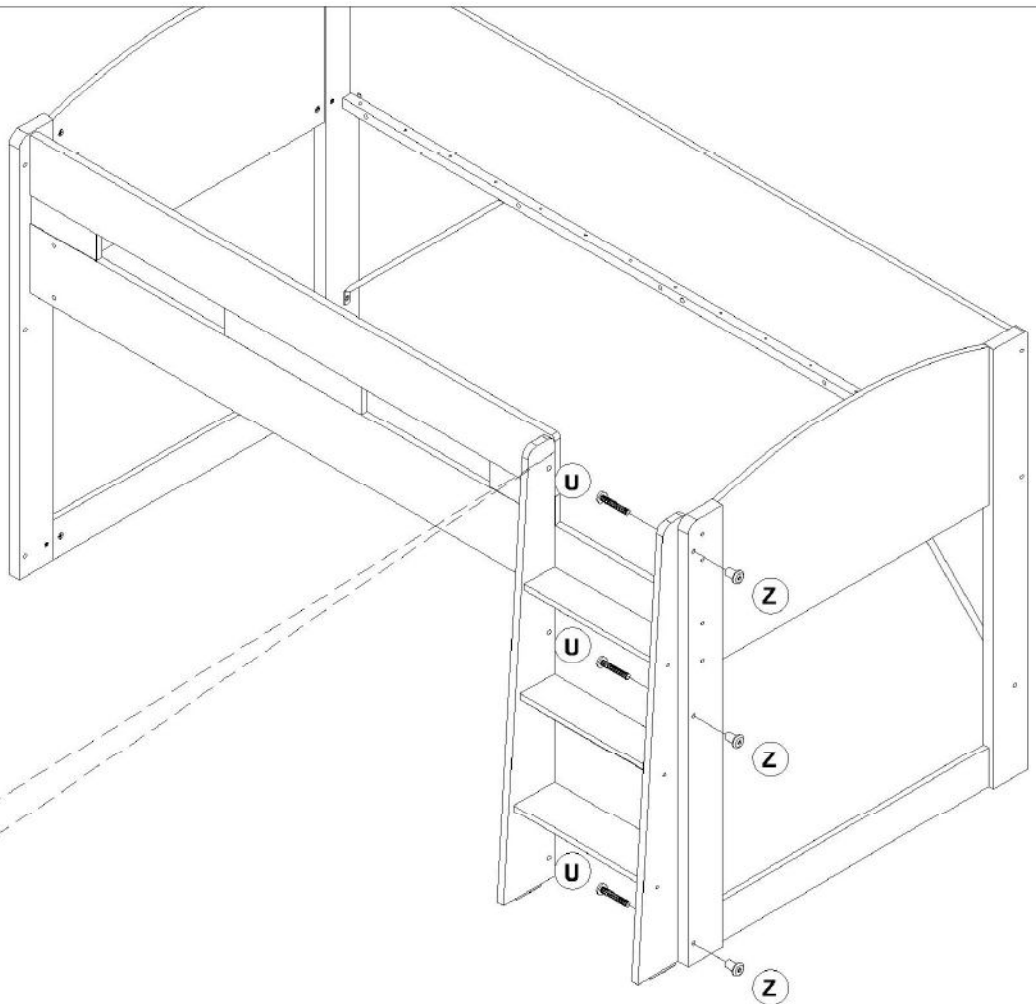
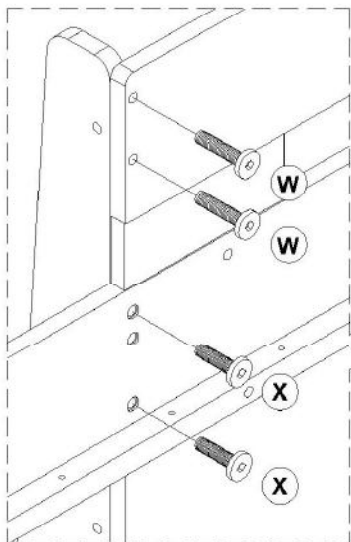


X x 2

Z x 3



Z x 3



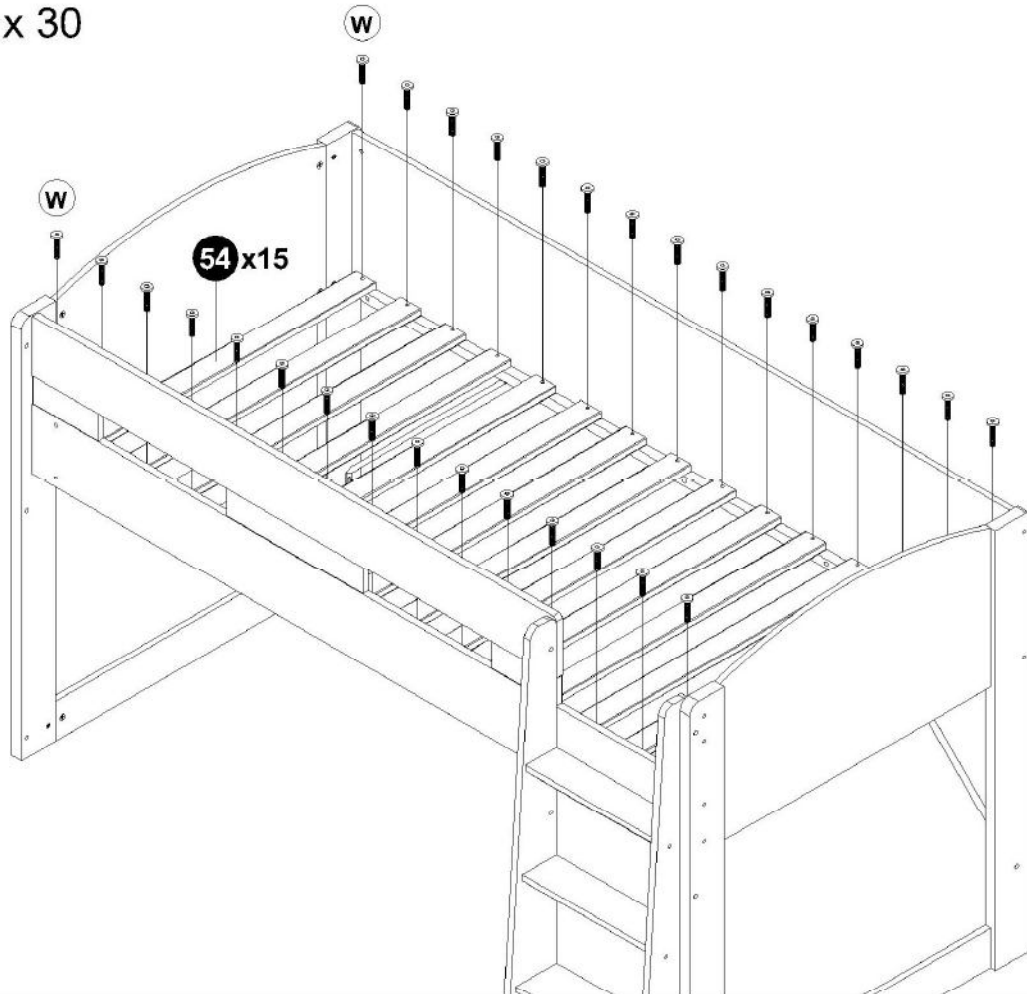
# Guide To Assembly

## Model : MG 7509

46



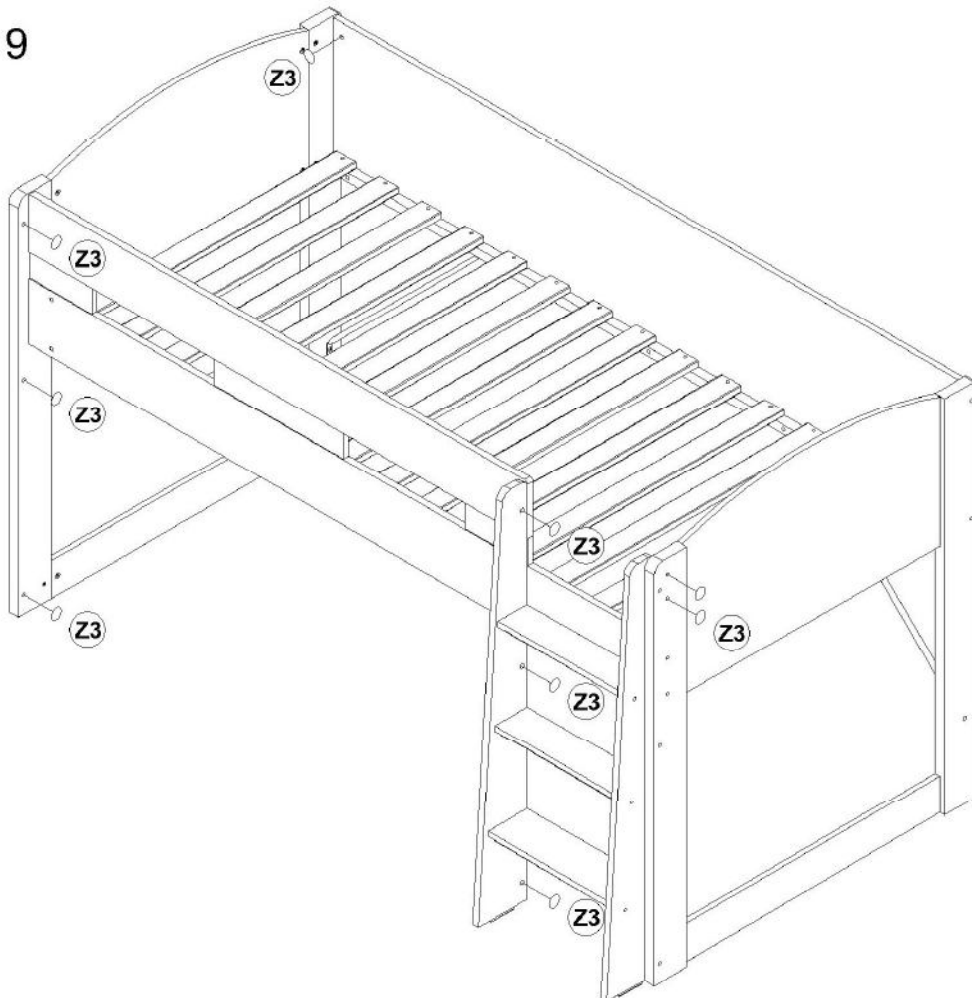
W x 30



47



Z3 x 9



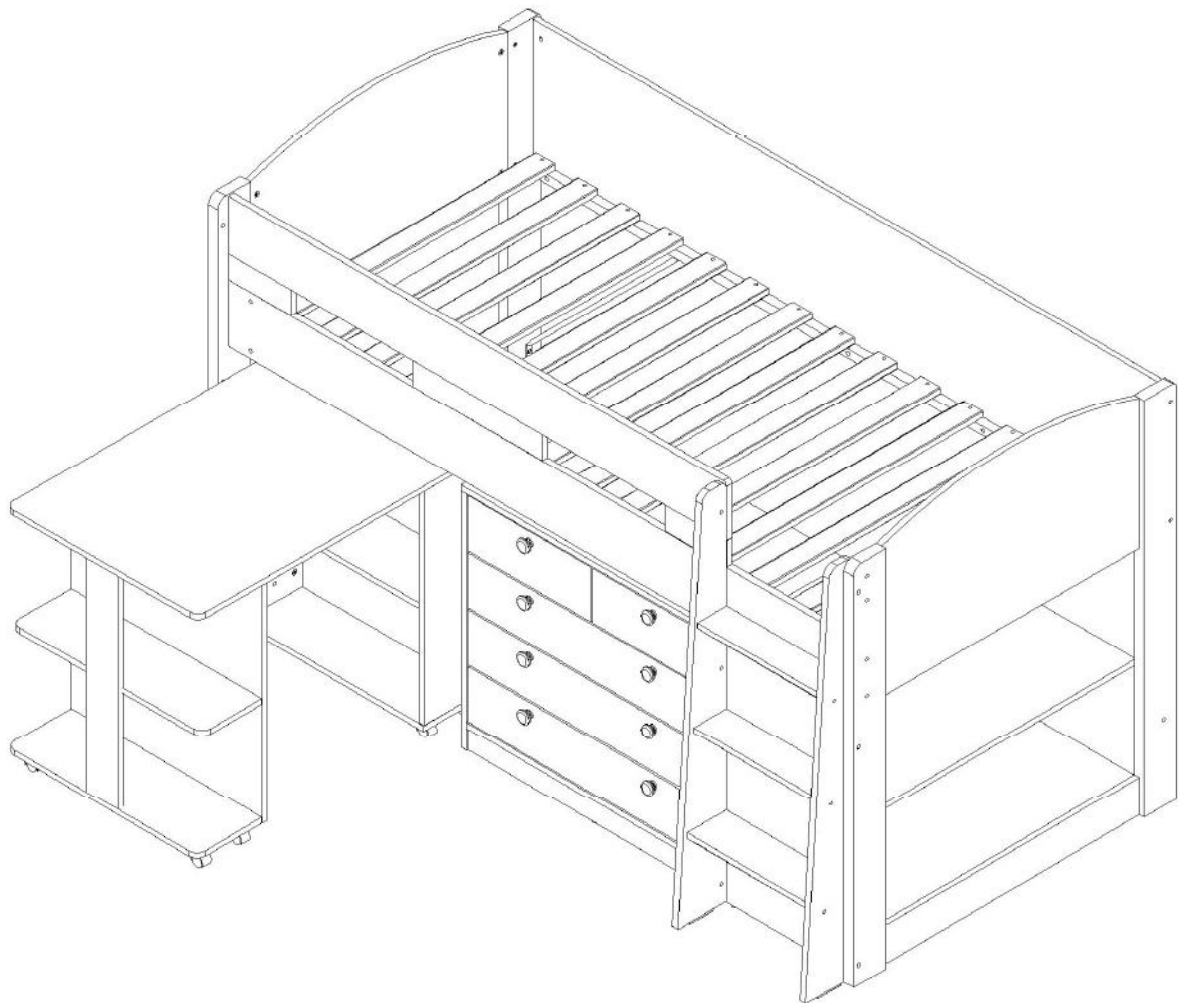
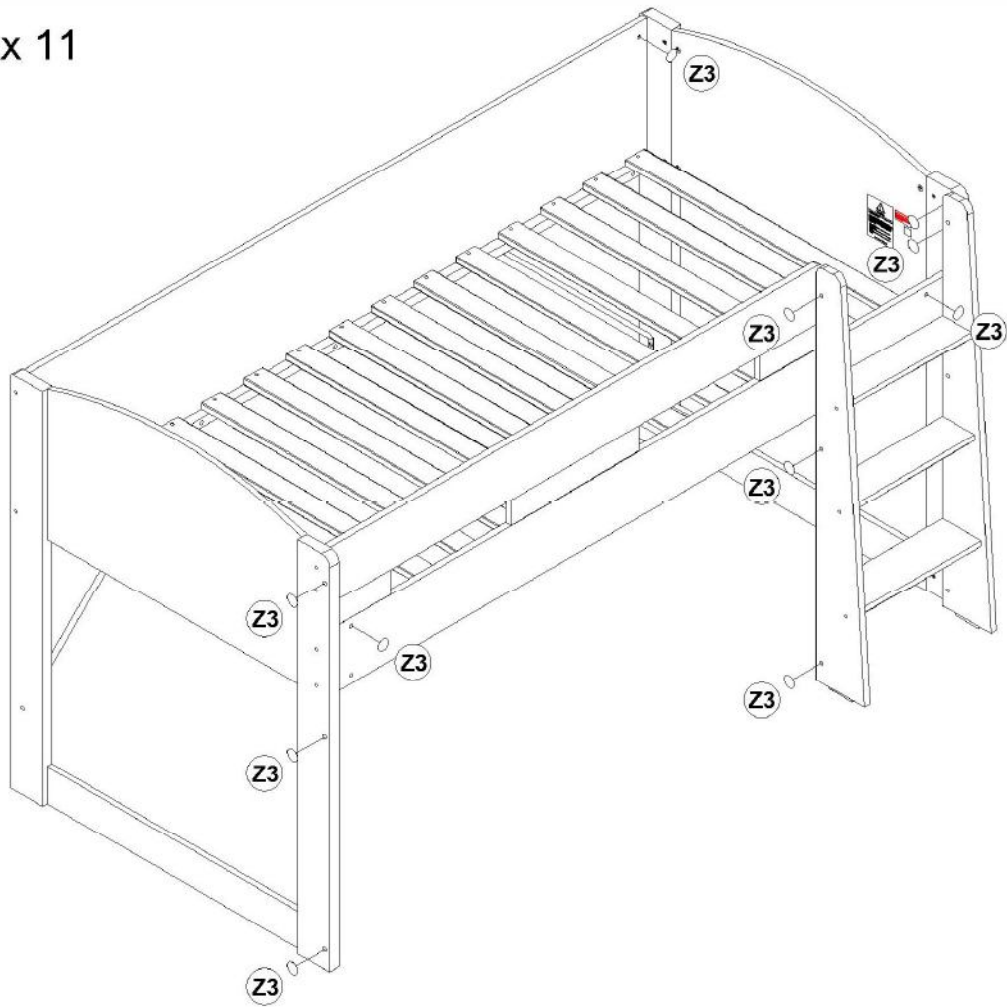
# Guide To Assembly

## Model : MG 7509

48



Z3 x 11



# Guide To Assembly

## Model : MG 7509

Option B

26



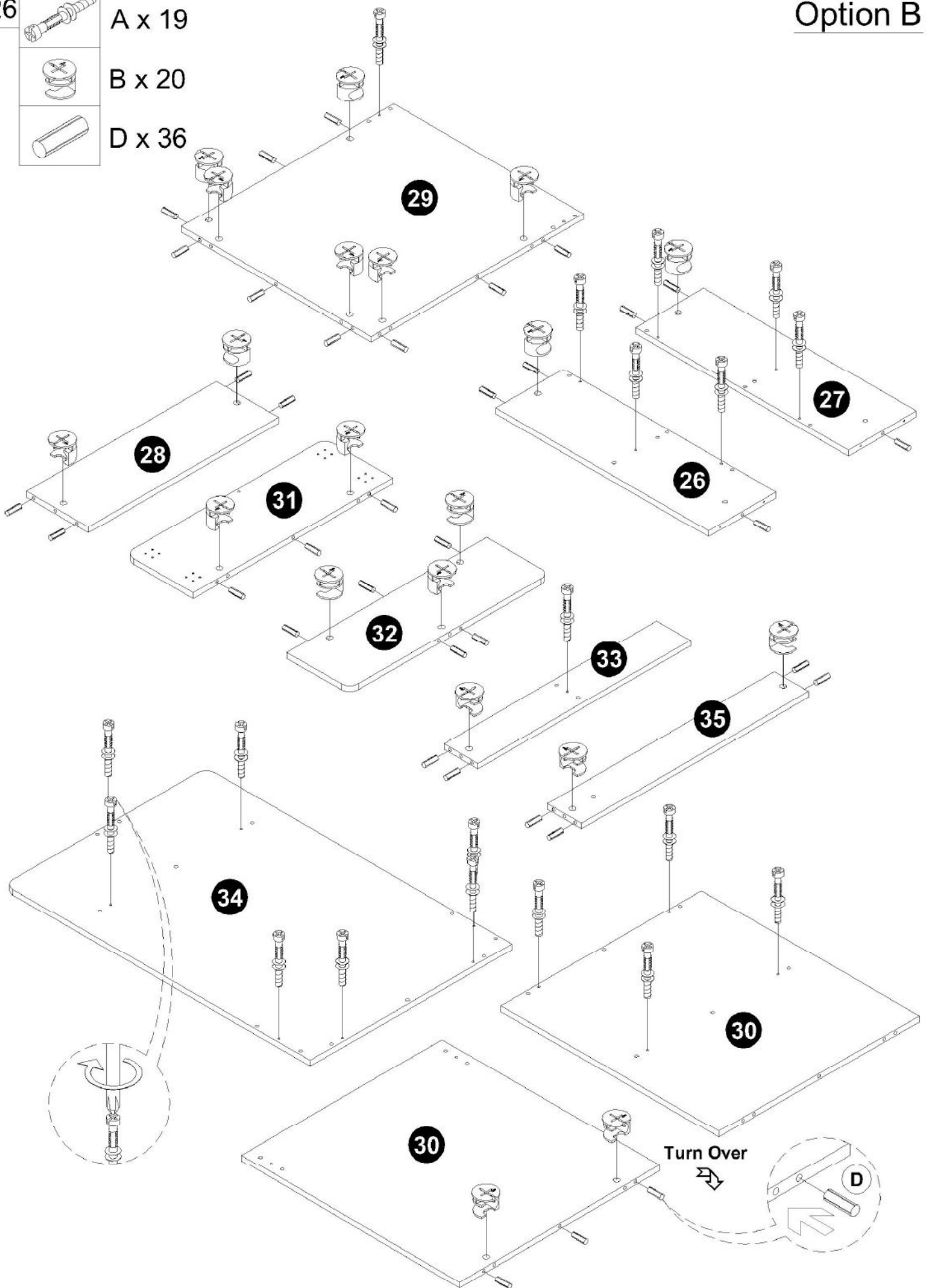
A x 19



B x 20



D x 36



# Guide To Assembly

## Model : MG 7509

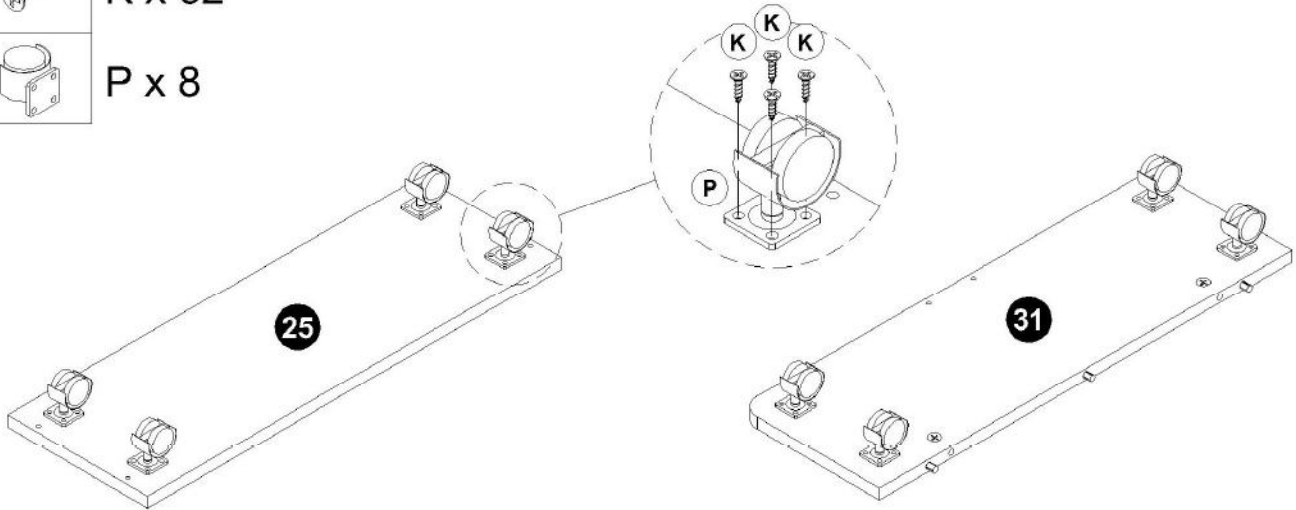
27



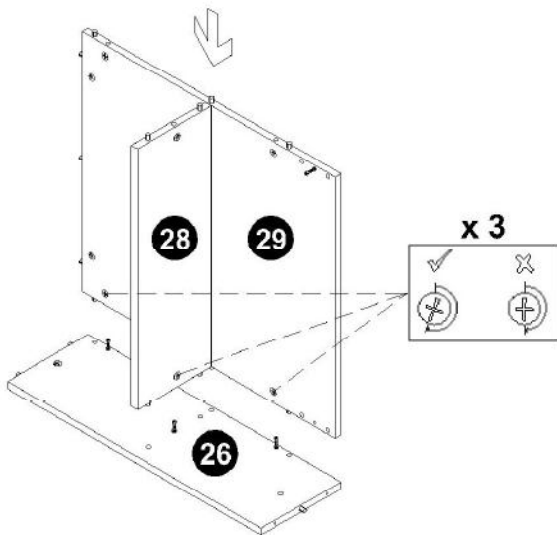
K x 32



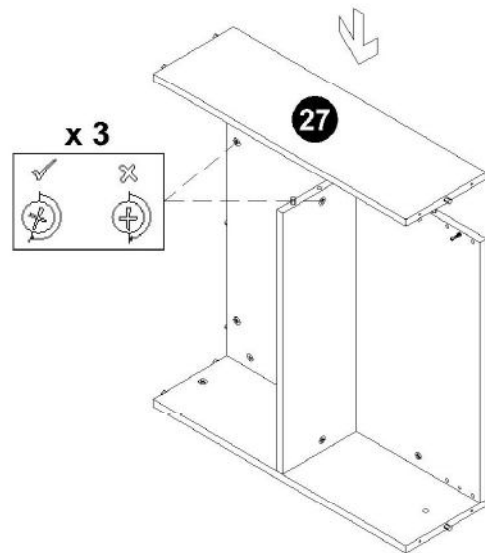
P x 8



28



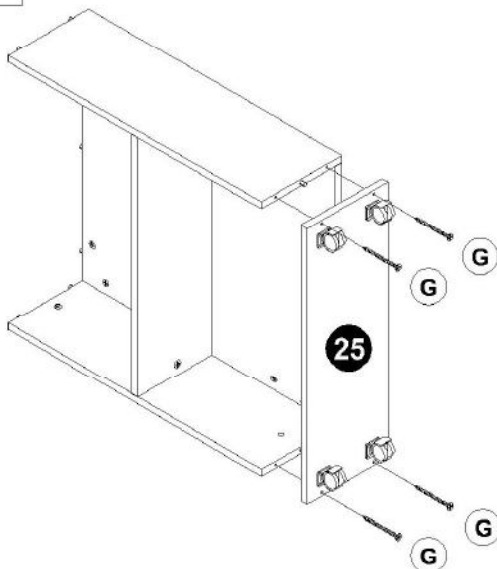
29



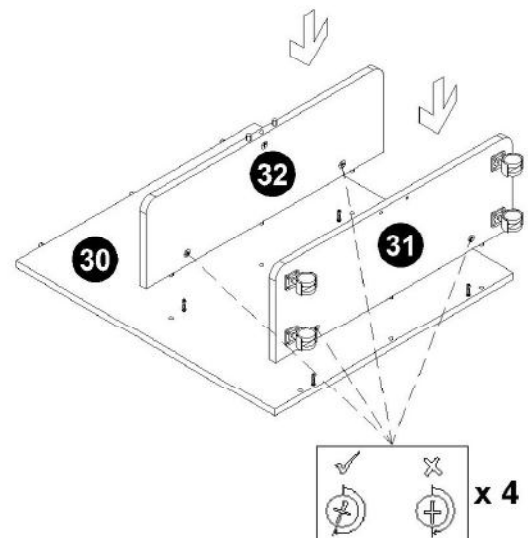
30



G x 4



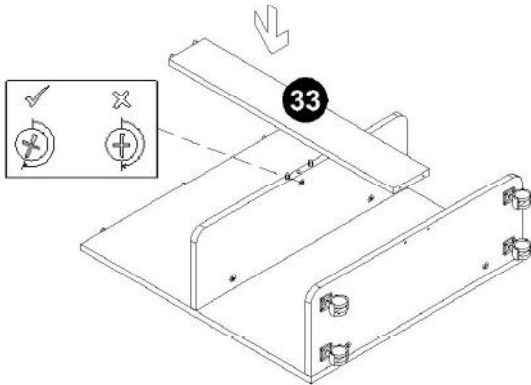
31



# Guide To Assembly

## Model : MG 7509

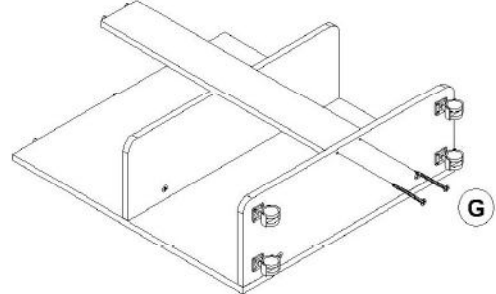
32



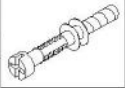
33



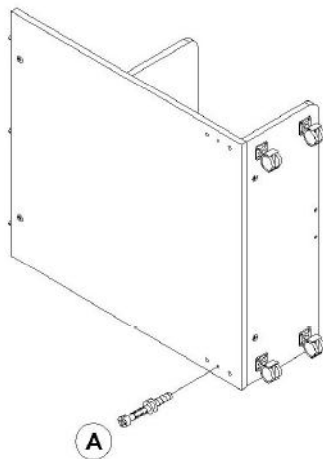
G x 2



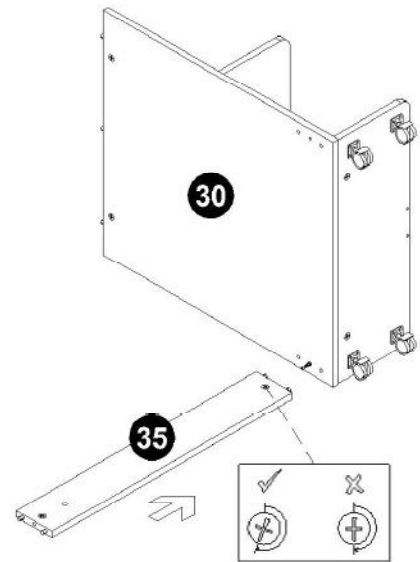
34



A x 1



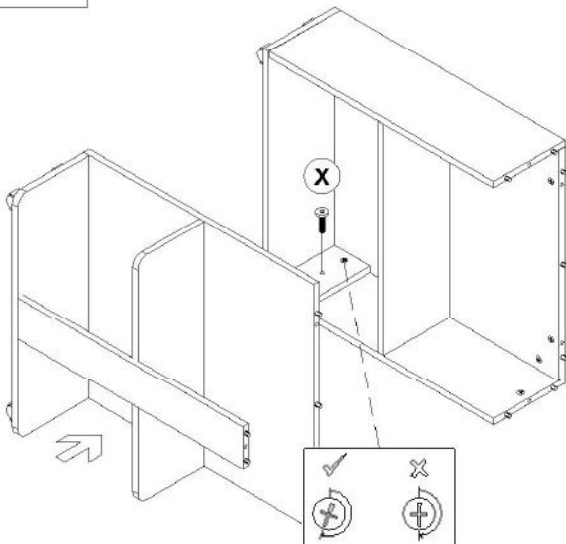
35



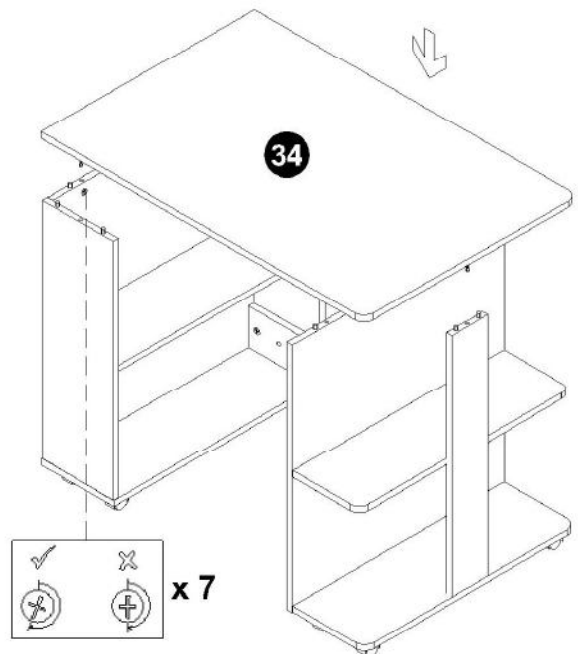
36



X x 1



37

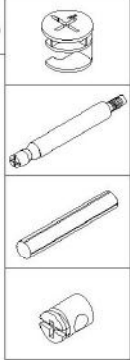




# Guide To Assembly

## Model : MG 7509

38

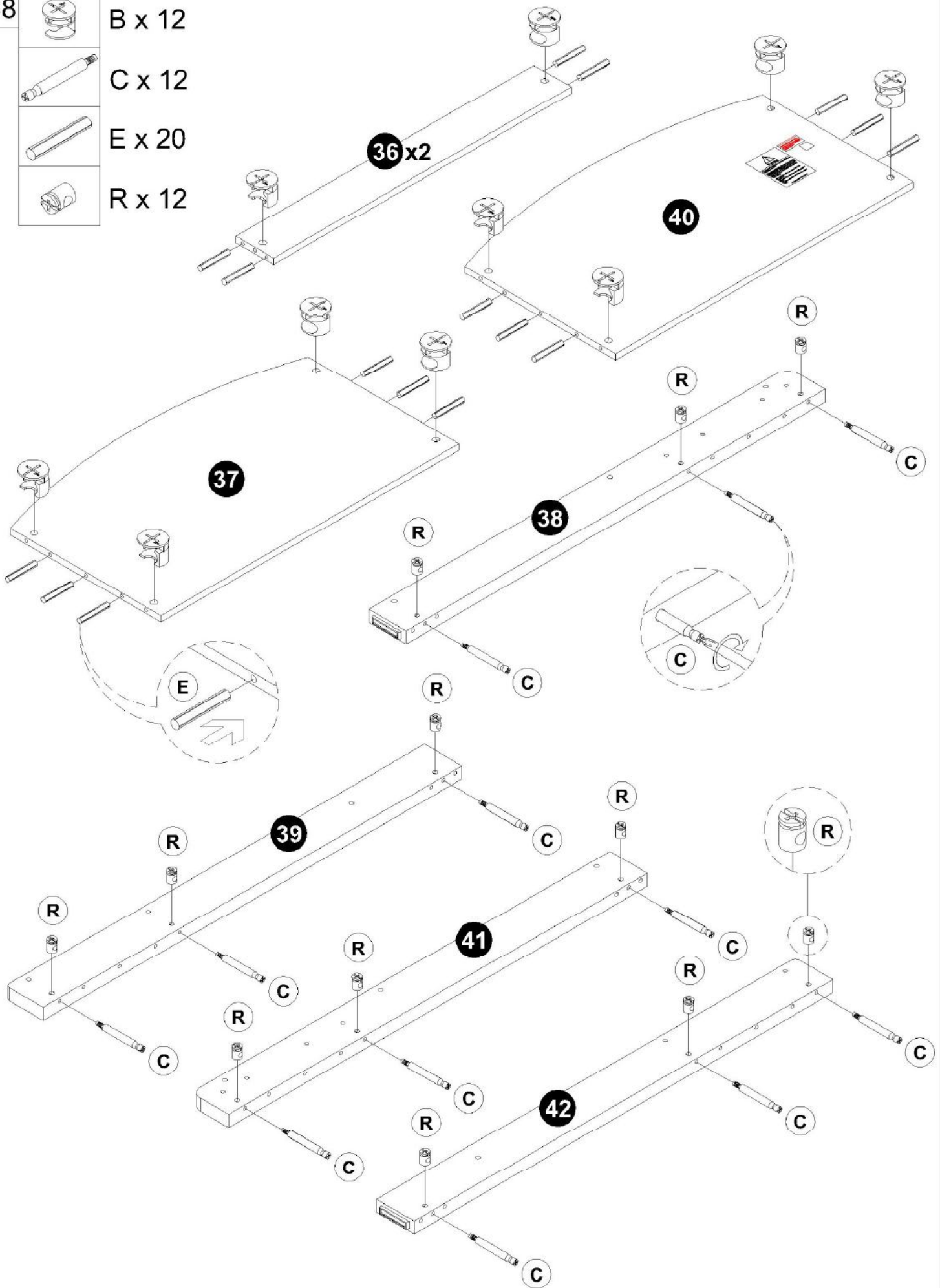


B x 12

C x 12

E x 20

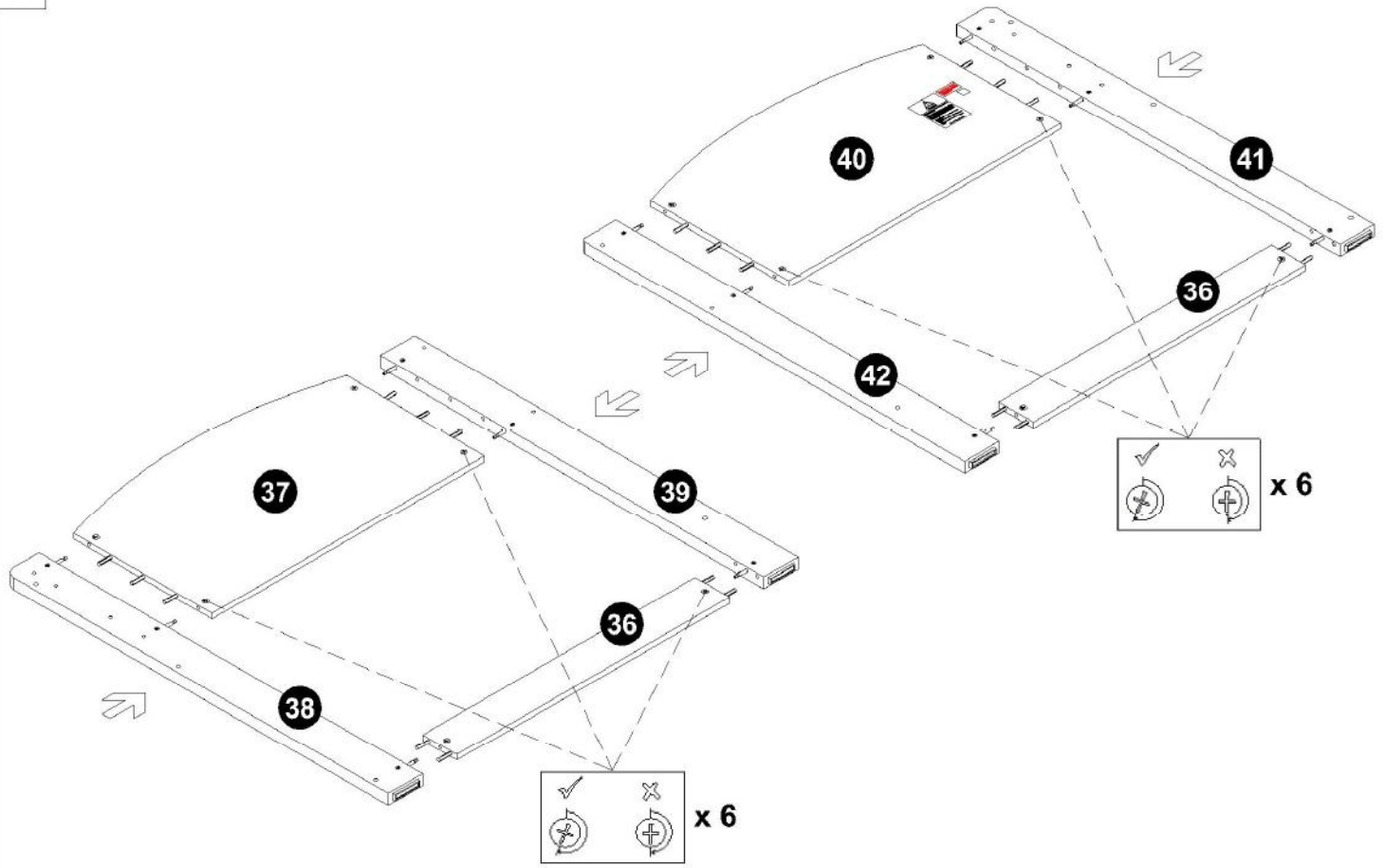
R x 12





# Guide To Assembly

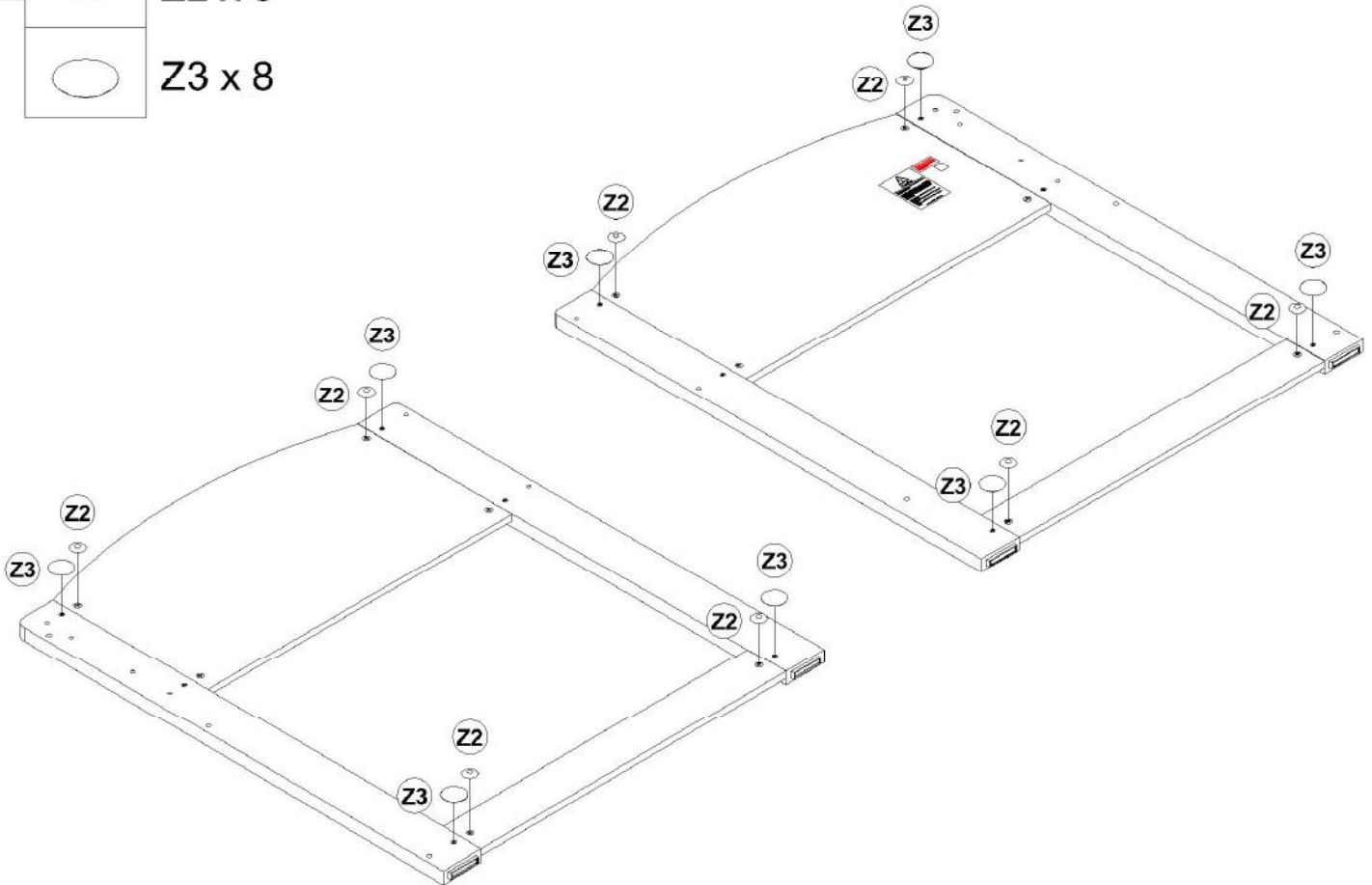
## Model : MG 7509

39



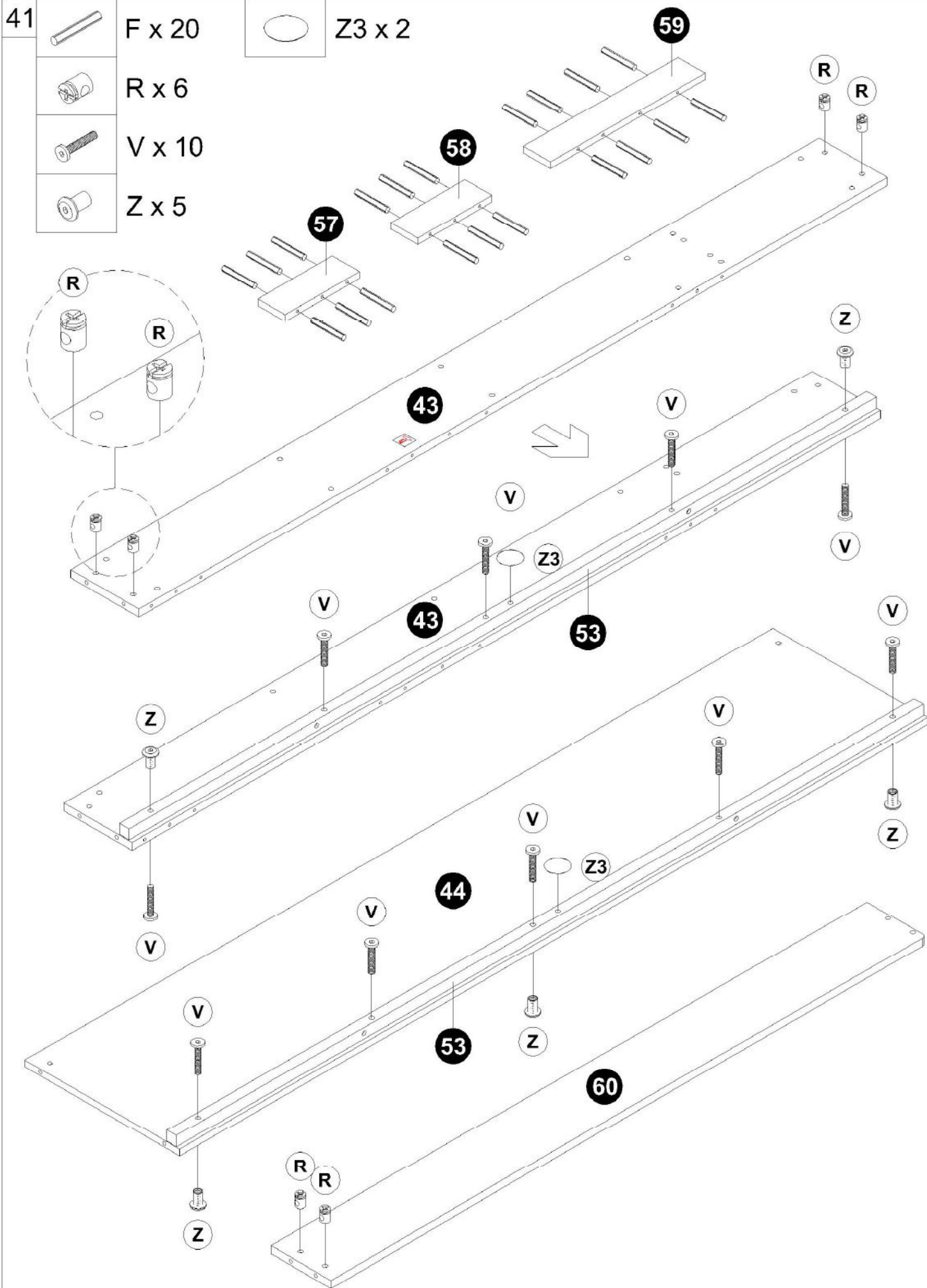
40

-  Z2 x 8
-  Z3 x 8



# Guide To Assembly

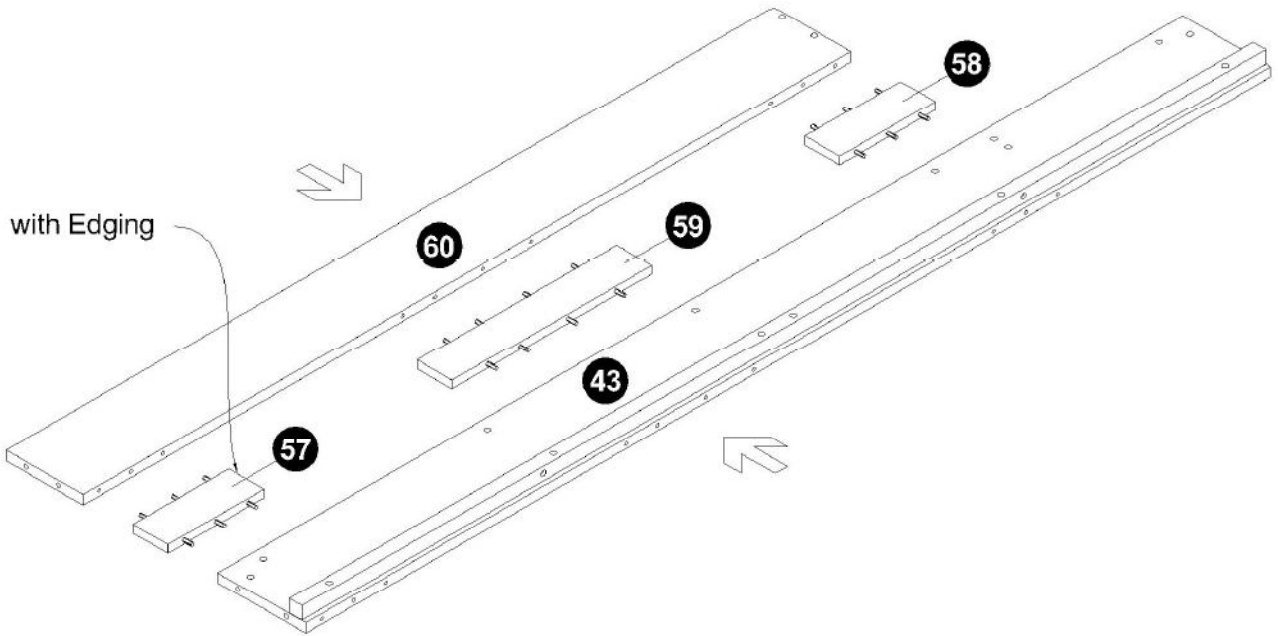
## Model : MG 7509



# Guide To Assembly

## Model : MG 7509

42

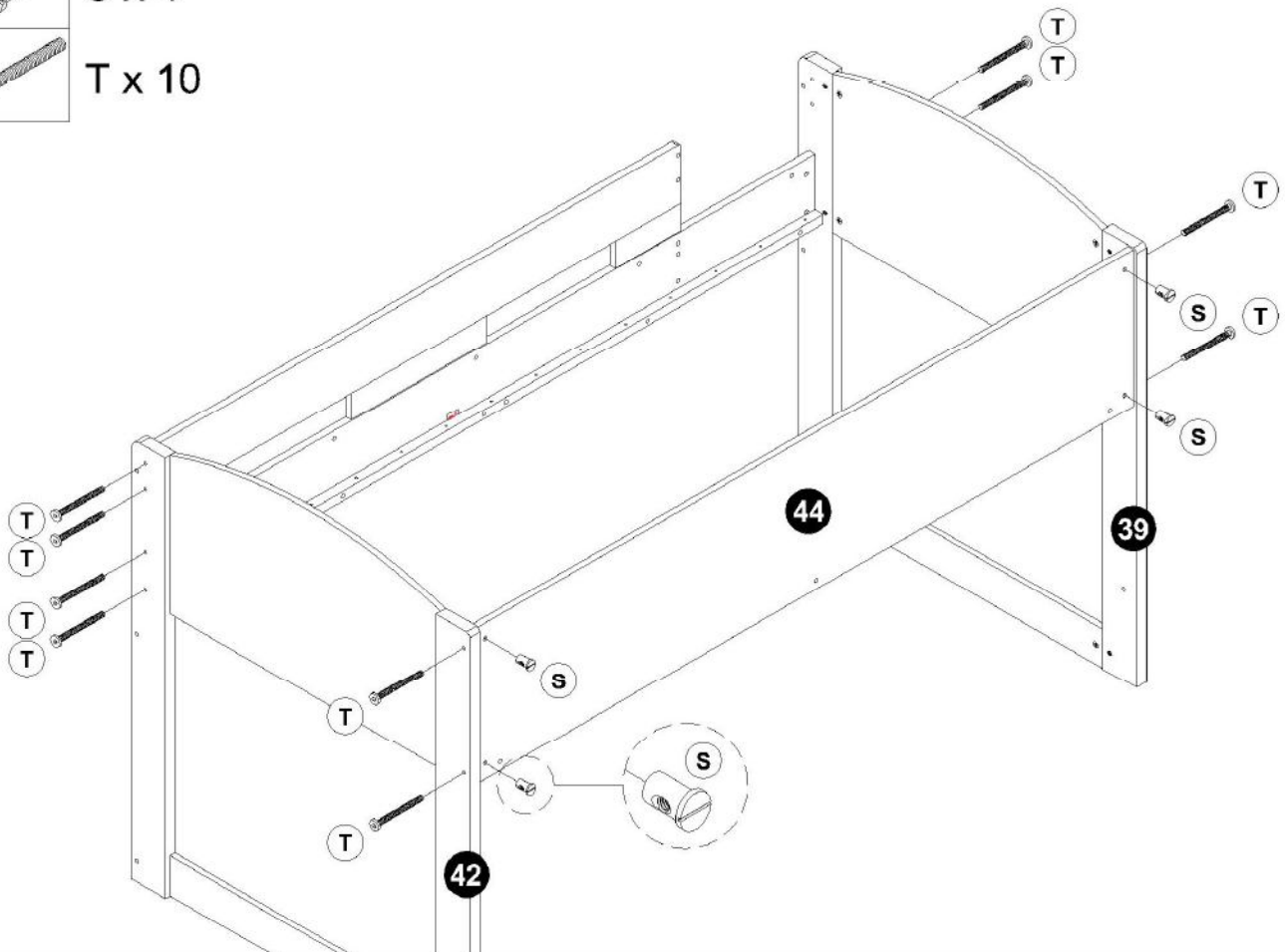


43



S x 4

T x 10





# Guide To Assembly

## Model : MG 7509

44 X x 2



X x 2

Y x 2

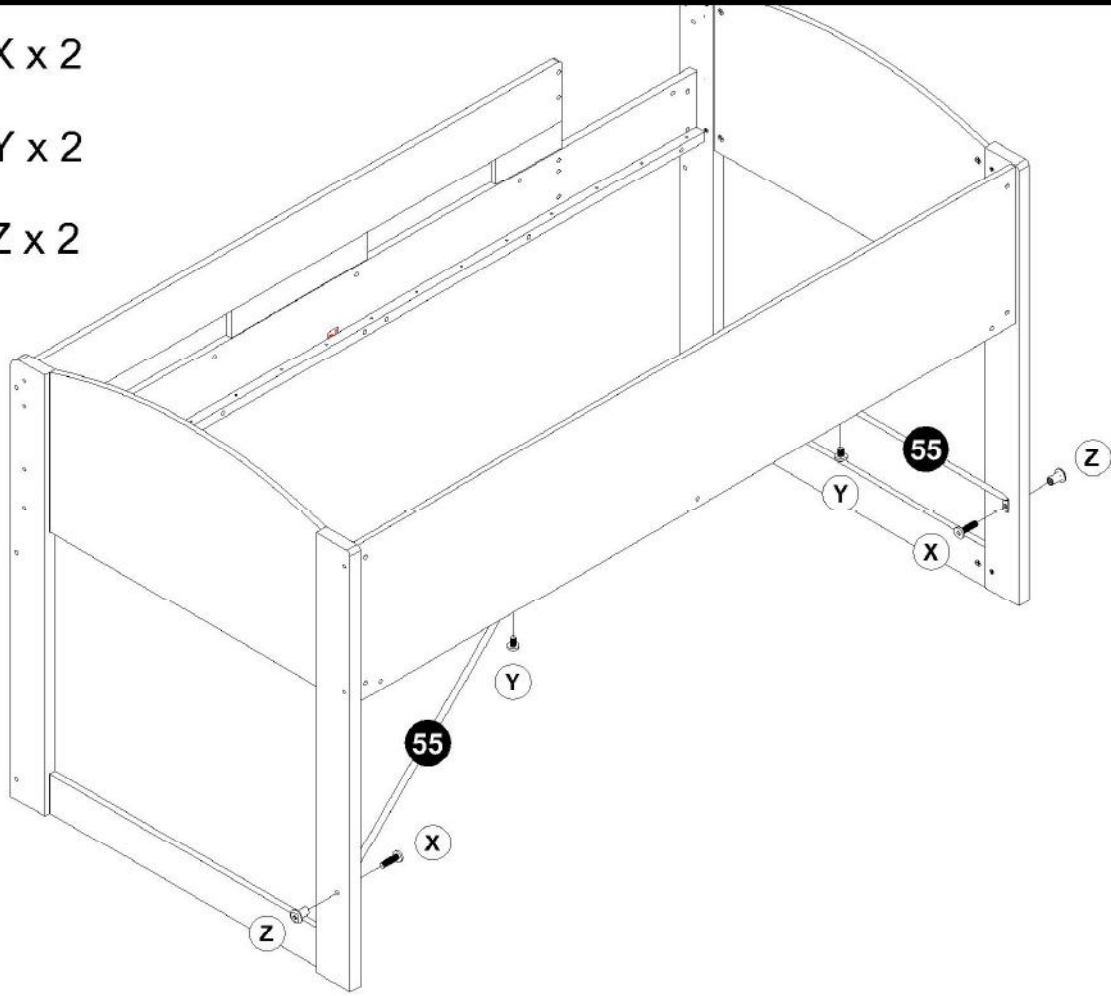


Y x 2

Z x 2



Z x 2



45 U x 3



U x 3

W x 2



W x 2

X x 2

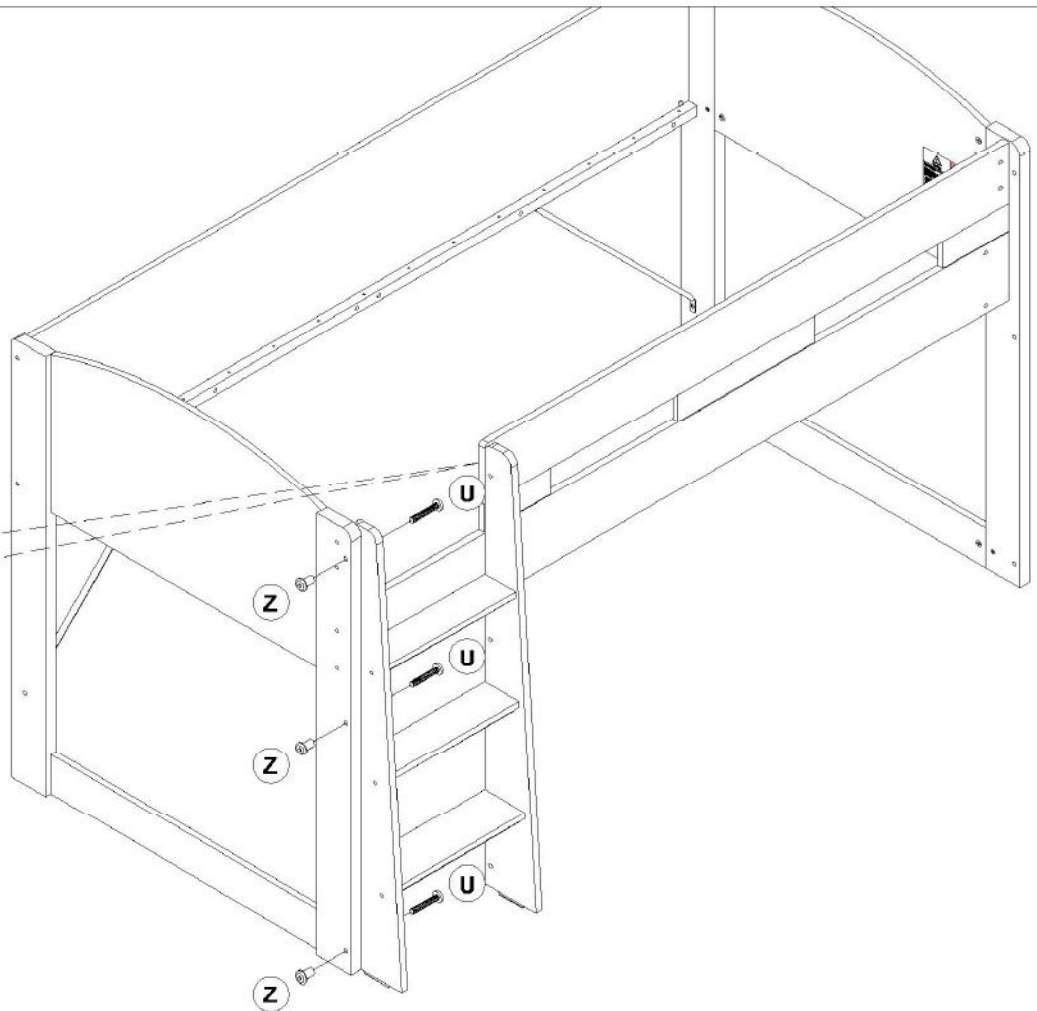
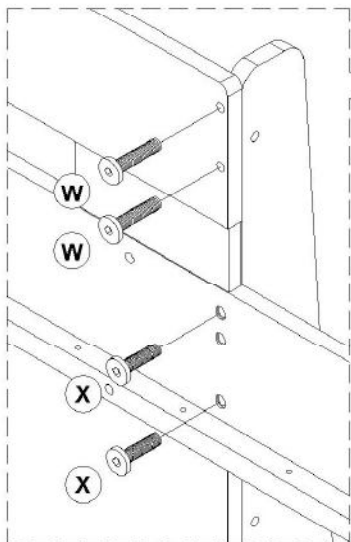


X x 2

Z x 3



Z x 3





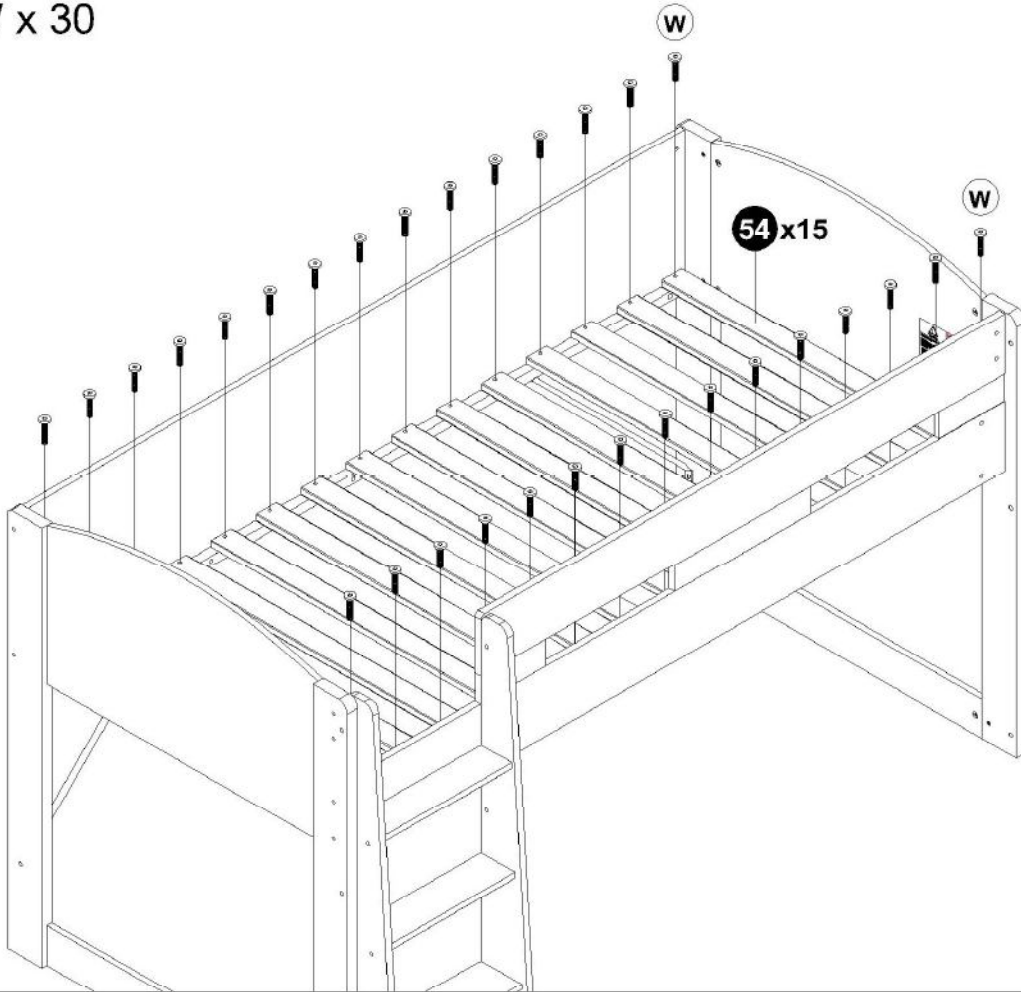
# Guide To Assembly

## Model : MG 7509

46



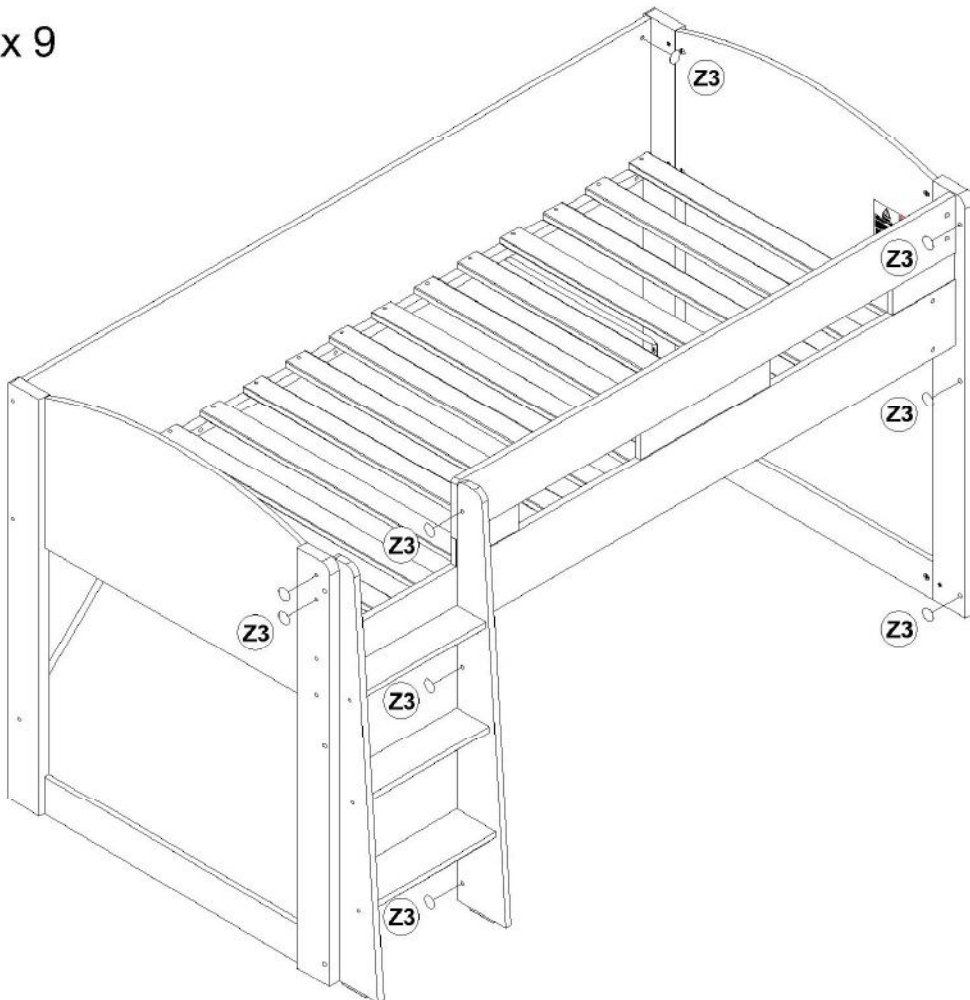
W x 30



47



Z3 x 9



# Guide To Assembly

## Model : MG 7509

48



Z3 x 11

