

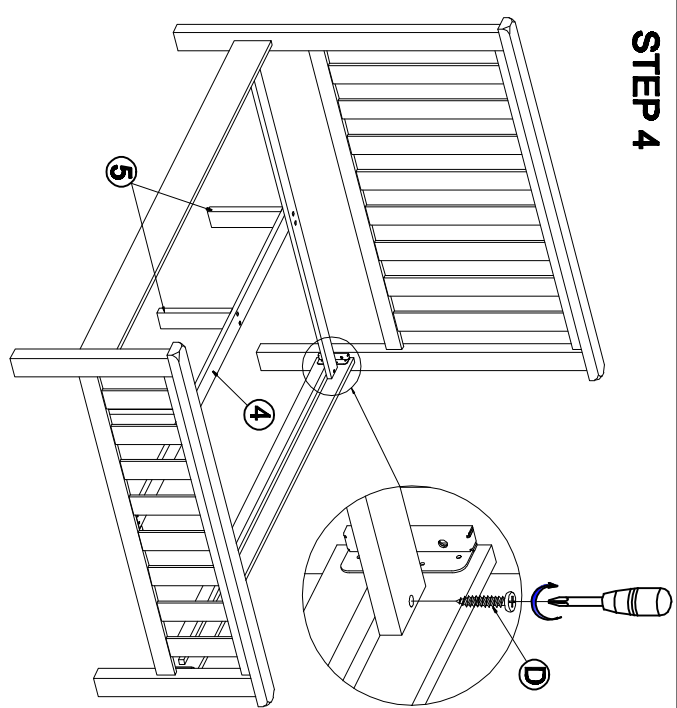
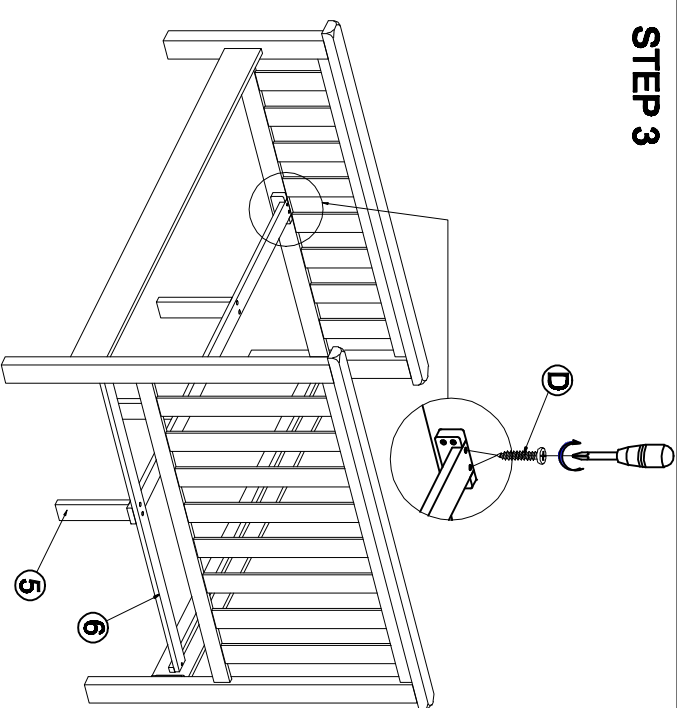
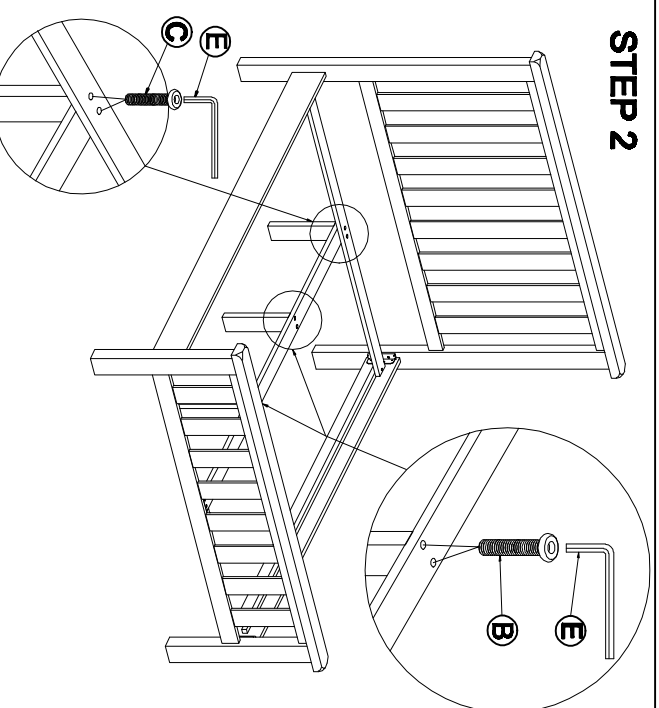
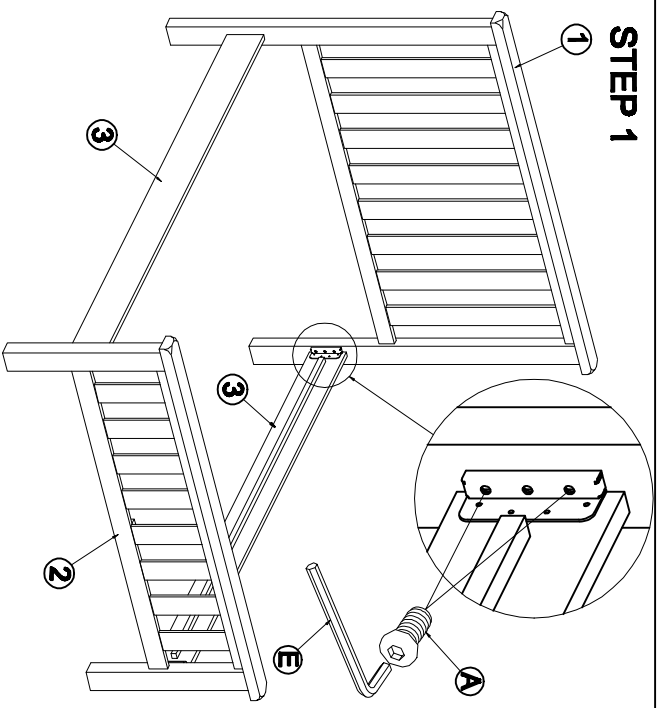
ASSEMBLY INSTRUCTION BED 6.0"

PARTS LIST

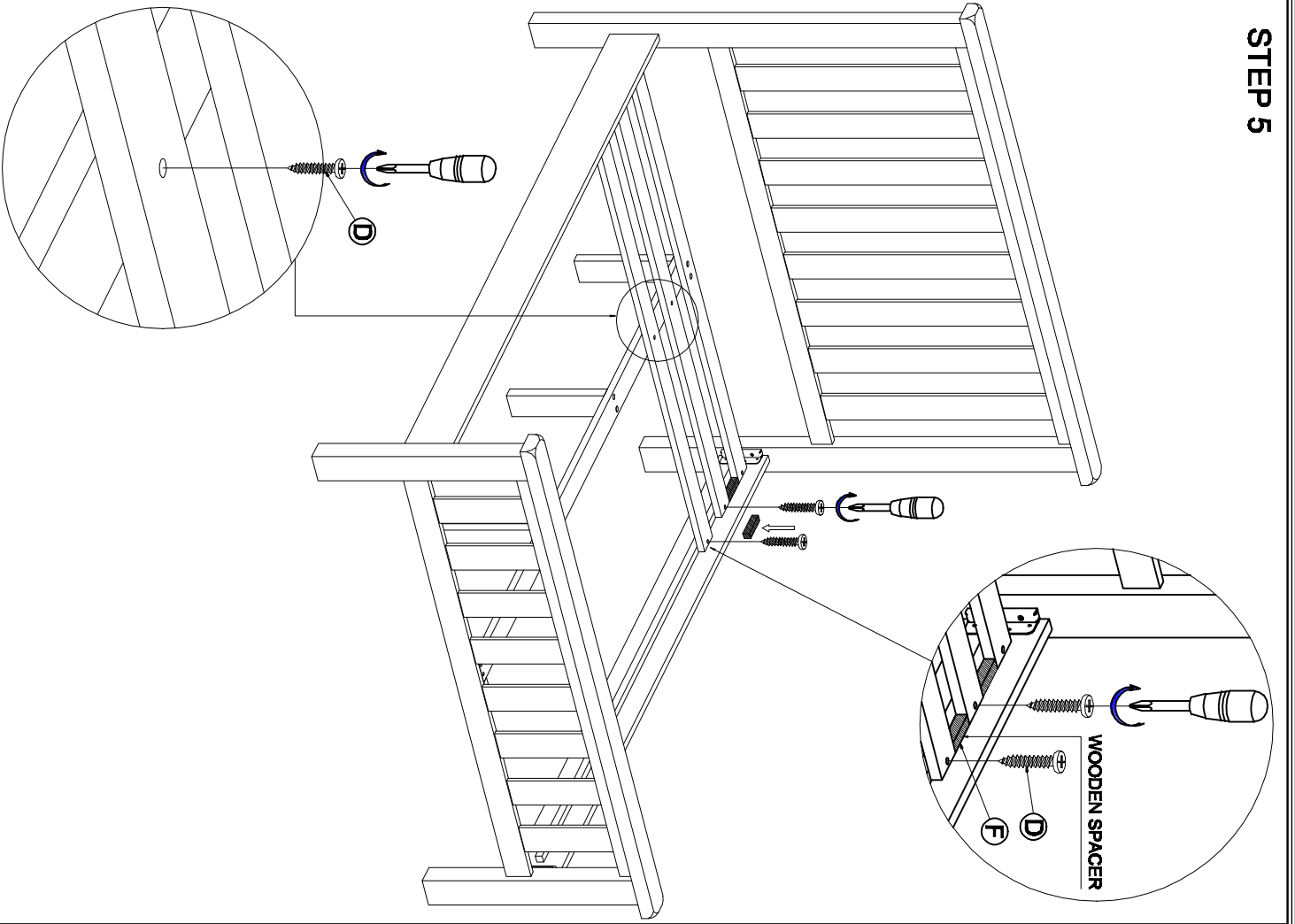
NO	DRAWING	DESCRIPTION	QTY
1		HEAD BOARD	1
2		FOOT BOARD	1
3		SIDE RAILS	2
4		MIDDLE RAIL	1
5		SUPPORT RAIL	3
6		SLAT FRAME	13

HARDWARE LIST

NO	DRAWING	DESCRIPTION	QTY
A		SHORT BOLT	8
B		MEDIUM BOLT	4
C		LONG BOLT	2
D		SCREWS	40
E		ALLEN KEY	1
F		WOODEN SPACER 20 x 20 x 80mm	2



STEP 5



STEP 6

