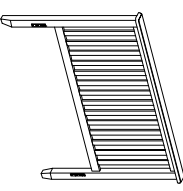
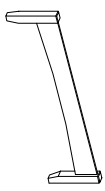
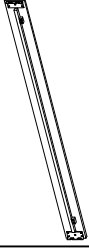
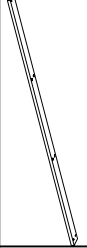




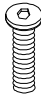
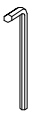



ASSEMBLY INSTRUCTION GAGAO - 50 BED - UK

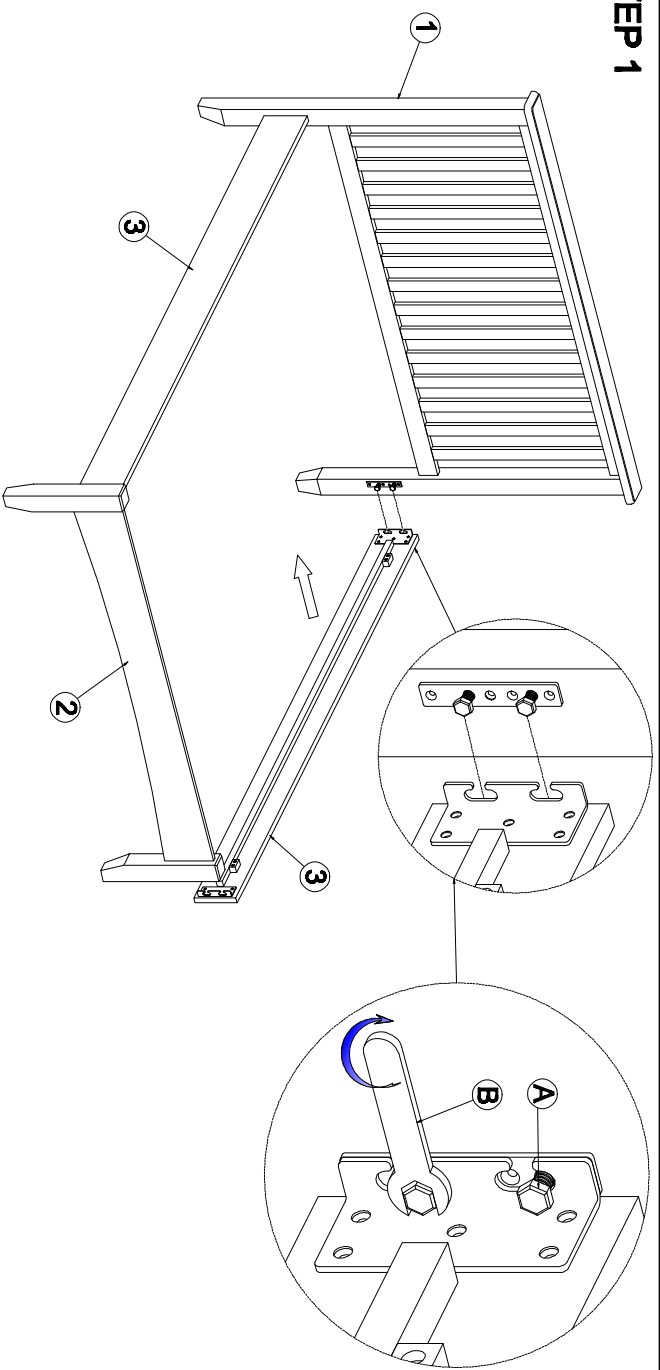
PARTS LIST

NO	DRAWING	DESCRIPTION	QTY
1		HEAD BOARD	1
2		FOOT BOARD	1
3		SIDE RAILS	2
4		MIDDLE RAIL	1
5		SUPPORT RAIL	3
6		SLAT FRAME	13

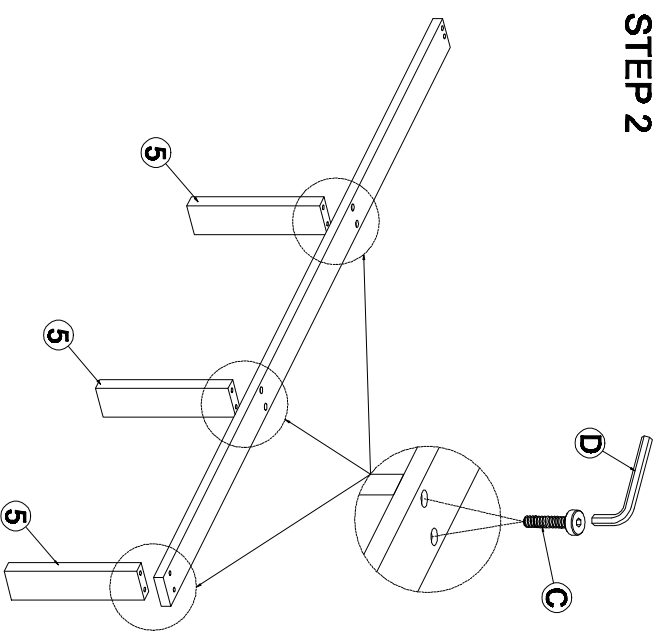
HARDWARE LIST

NO	DRAWING	DESCRIPTION	QTY
A		BOLT M8 x 15	8
B		SPANNER	1
C		BOLT M6 x 40	6
D		ALLEN KEY	1
E		SCREWS M4 x 30	14

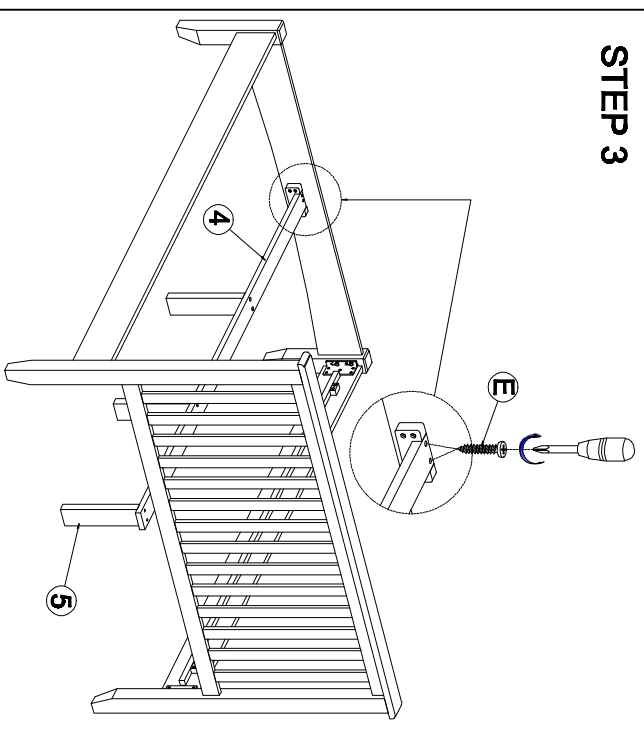
STEP 1



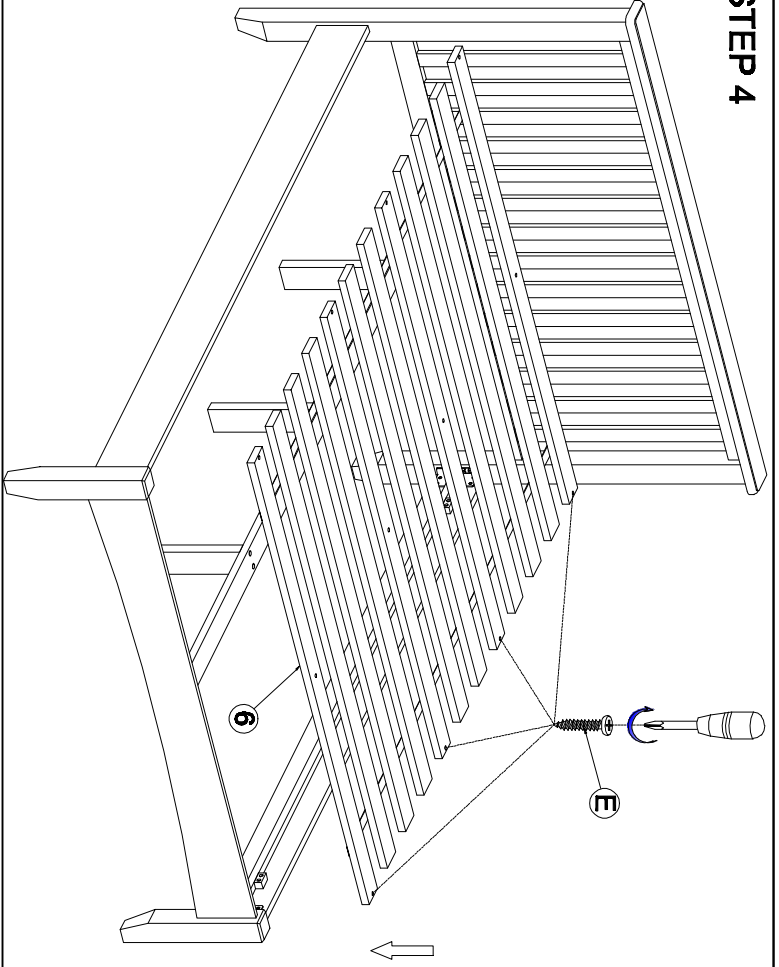
STEP 2



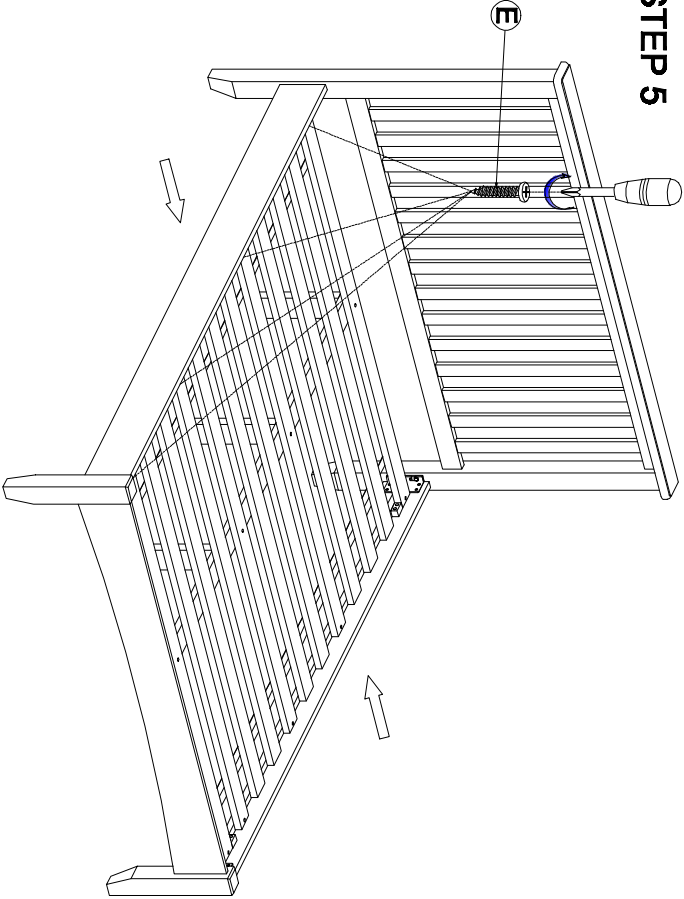
STEP 3



STEP 4



STEP 5



STEP 6

