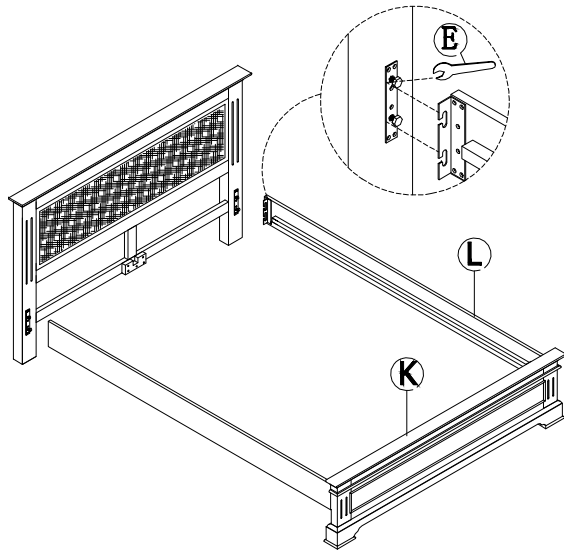


BP-50

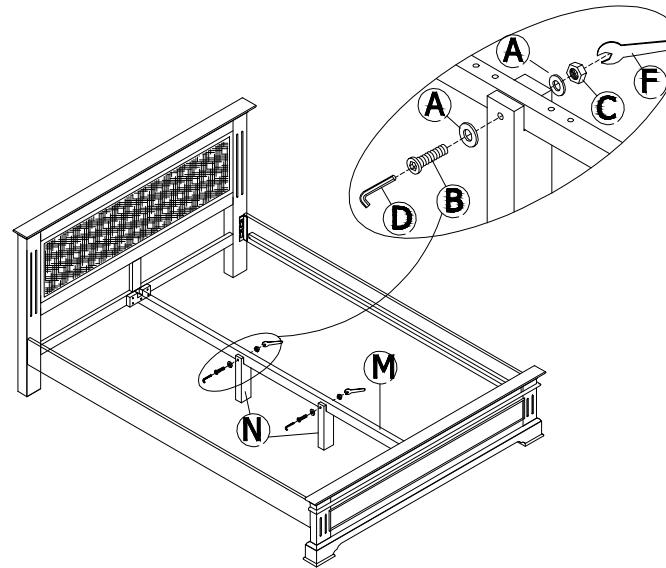
Assembly Instruction

Components List

①



②

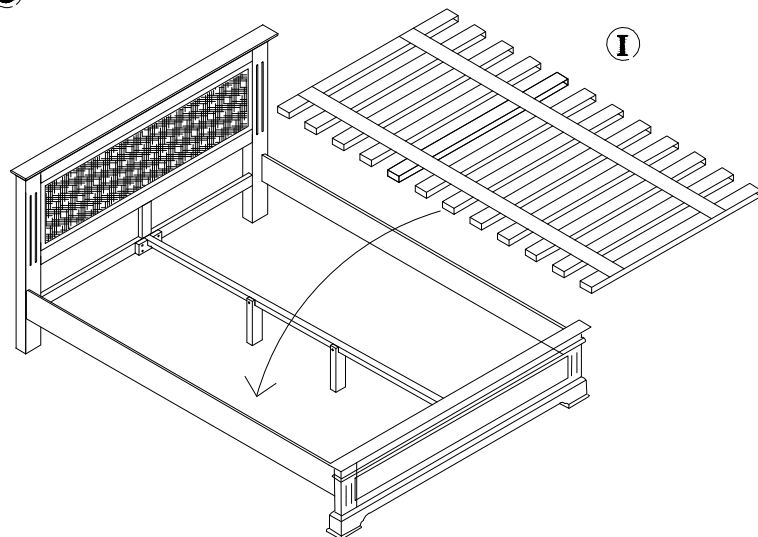


A	M8		4
B	M8*90		2
C	M8		2
D	M5		1
E	M18		1
F	M14		1
G	M3.5*30mm		6

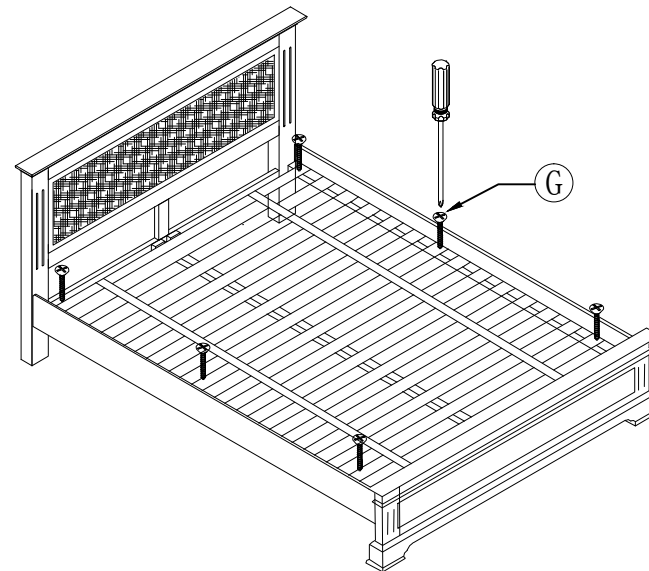
I	 W: 1535mm	1
---	---------------	---

J		1
---	--	---

③



④



K		1
---	--	---

L	 L: 2020mm	2
---	---------------	---

M	 L: 1940mm	1
---	---------------	---

N	 H: 270mm	2
---	--------------	---