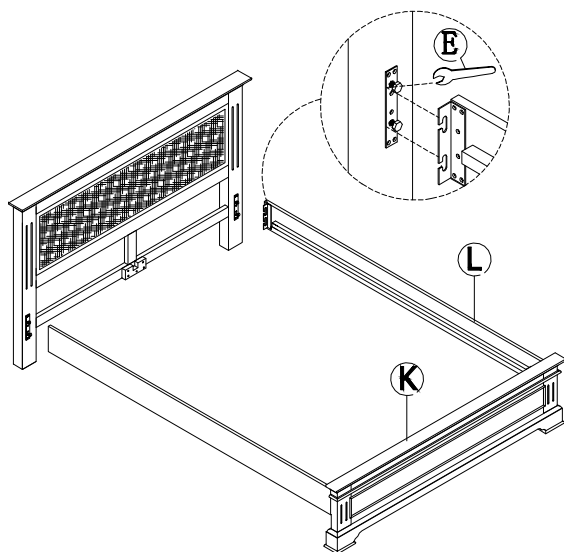


BP-46

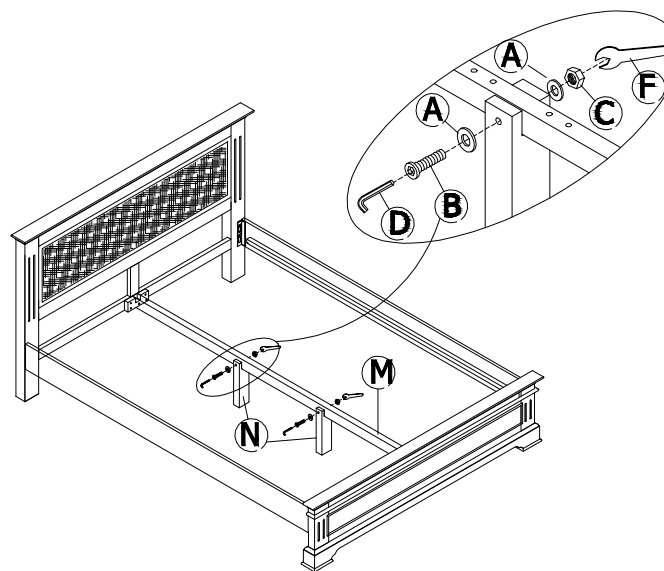
Assembly Instruction

Components List

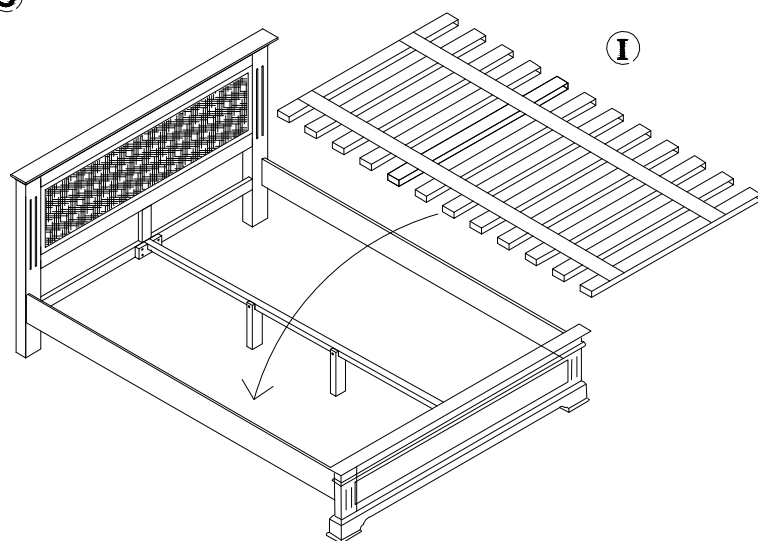
①



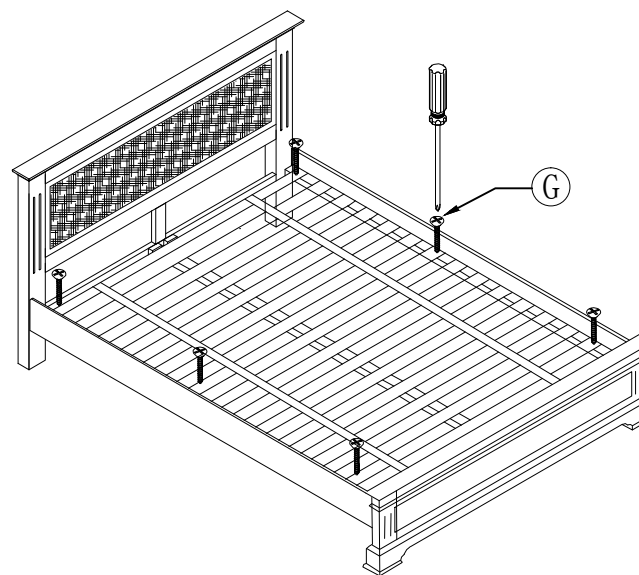
②





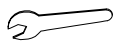
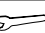

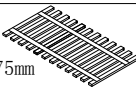
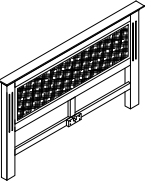
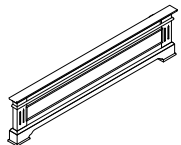

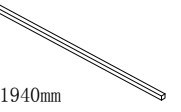



③



④



A	M8		4
B	M8*90		2
C	M8		2
D	M5		1
E	M18		1
F	M14		1
G	M3.5*30mm		6
I	 W: 1375mm		1
J			1
K			1
L	 L: 2020mm		2
M	 L: 1940mm		1
N	 H: 270mm		2