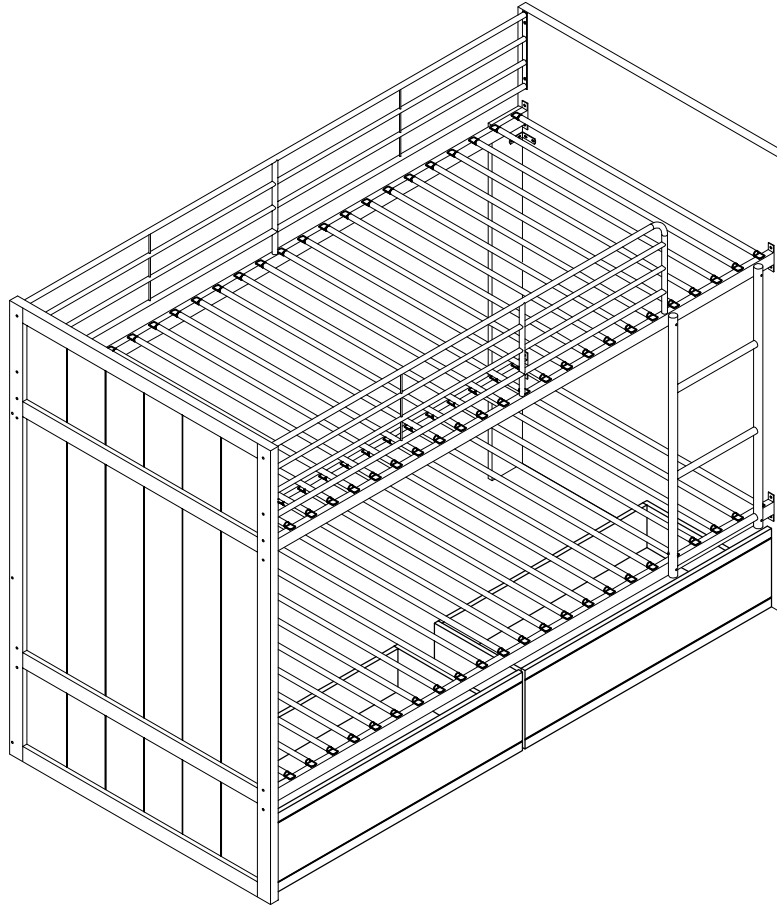



ROCCO BUNK BED WITH 2 UNDER DRAWERS

Assembly Instructions - Please keep for future reference








PLEASE KEEP THE ORIGINAL PACKAGING UNTIL THE ITEM IS FULLY ASSEMBLED AND IN PLACE. IN THE UNLIKELY EVENT THAT YOU NEED TO RETURN YOUR PRODUCT, IT MUST BE RETURNED IN ITS ORIGINAL PACKAGING TO AVOID FURTHER DAMAGE. FAILURE TO COMPLY TO THESE PROCEDURES, NO RETURN'S WILL BE ACCEPTED.



No. people	Assembly Time
	2 Hours (approx.)

" SHOULD IT BE NECESSARY TO RETURN THIS PRODUCT FOR ANY REASON,
IT MUST BE RETURNED IN ITS ORIGINAL PACKAGING"

Important: Read carefully

-  Please check you have all parts listed on your assembly sheet. In the unlikely event that any parts are missing, please contact your retailer immediately.
-  Do not use any other tools than those listed on your assembly sheet / tools provided. Use of power tools could damage your product and returns would not be accepted back in these circumstances. Use of power tools could also make your product unsafe due to overtightening.
-  Depending on the amount of use your product receives, it may be necessary to tighten the fixings from time to time.
-  Assemble your product on a soft surface to avoid scratching and also preferably in the room intended for use to avoid having to move the product unnecessarily once assembled.
-  For cleaning please use a clean damp cloth or duster. Use of abrasive or chemical cleaners will most likely scratch or damage the surface of your product. We do not accept returns for damages arising from incorrect care of products.
-  Please keep the original packing until your item is fully assembled and in place. In the unlikely event you need to return your product. It must be returned back in its original packing to avoid any damage.
-  The surface of this item is not heat resistant. Please use a mat under hot, cold or wet items to prevent marking.

IMPORTANT : READ CAREFULLY - RETAIN FOR FUTURE REFERENCE

Top Tips before you start!

1. Please check that all parts are present before you start the assembly of your furniture, as once assembled, the furniture is exempt from our home approval policy.
2. For ease and speed of assembly, we recommend that before you commence each step of the assembly, that you identify all the parts required for that step.
3. For larger items, please ensure that you have sufficient space and people (as indicated on page 1) to assemble your product safely.
4. We recommend that, where possible, all items are assembled near to the area in which they will be placed in used, to avoid moving the product unnecessarily once assembled.
5. For the protection of your furniture, particularly items of high gloss finish, we recommend that the product is placed on a protected surface during assembly to prevent any damage.
6. During assembly please take care not to over-tighten any fittings, as this may damage the product.
7. **WARNING** : Once assembled this bed is not designed for Dis-Assembly and Re-Assembly.

Care and Maintenance of your Furniture

- Please periodically check all fittings and re-tighten as necessary.
- Please do not jump on your furniture.
- To clean your item, please use a damp cloth and wipe clean.
- Routinely check that the upper safety rail and ladder attachment is secure and tighten any fittings using the appropriate tools.
- This product is tested to meet BS EN 747-1:2012+A1:2015 standards. The maximum upper safe load is 70kgs or 155lbs or 11 stones.
- Please ensure that the mattress height does not go past the permanent mark on the post / upper safety barrier.
- The size of mattress to be use with this child's bed is 920mm X 1910mm X 152mm.
- **WARNING**. Do not use the bunk bed/high bed if any structural part is broken or missing.
- **WARNING**. High beds and the upper bed of bunk beds are not suitable for children under six years due to risk of injury from falls.
- **WARNING**. Bunk beds and high beds can present a serious risk of injury from strangulation if not used correctly. Never attach or hang items to any part of the bunk bed that are not designed to be used with the bed, for example, but not limited to ropes, strings, cords, hooks, belts and begs.
- **WARNING**. Children can become trapped between the bed and the wall, a roof pitch, the ceiling, adjoining pieces of furniture (e.g. cupboards) and the like. To avoid risk of serious injury the distance between the top safety barrier and the adjoining structure shall not exceed 75mm or shall be more than 230mm.
- Always follow the manufacturer's instructions;
- The ventilation of the room is necessary in order to keep the humidity low and to prevent mould in and around the bed.
- If the room you plan to use your new bed in has a laminate or wood floor, We highly recommend you purchase some anti-skid pads to fit to the underside of the feet of the bed.
Floor of this nature offer on grip, which over a small period of time can result in the bed fittings & components coming lose or breaking altogether due to them slowly slipping on the floor.
These grips will also protect your floor from any marking that may be caused by your furniture slipping in this manner.
These pads can be bought from most good D.I.Y shops or superstores and are relatively inexpensive.



WARNING

TO HELP PREVENT SERIOUS OR FATAL INJURIES FROM ENTRAPMENT OR FALLS:

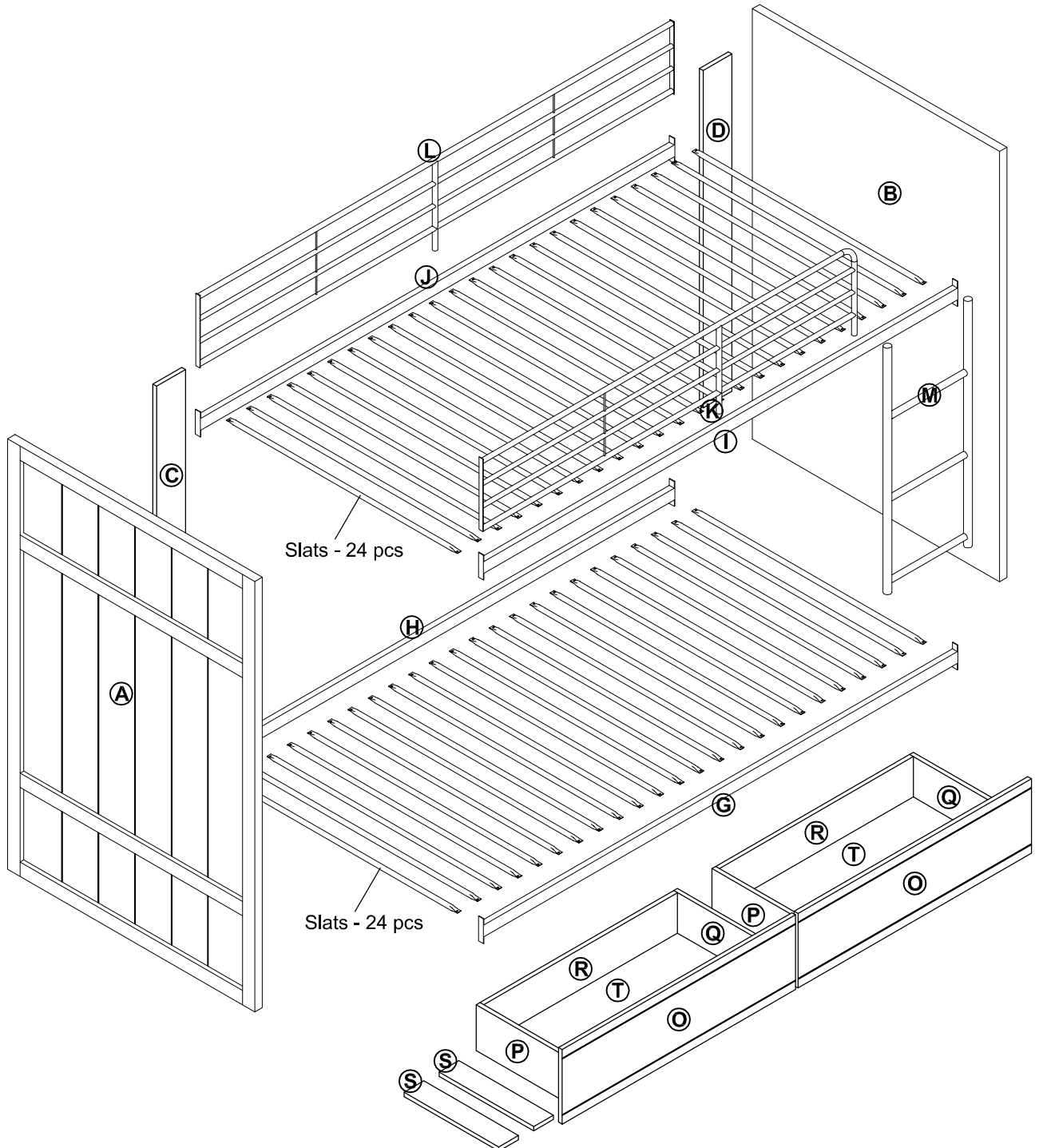
Safety Warnings:

1. Always use the recommended size mattress or mattress support, or both, to help prevent the likelihood of entrapment or falls.
2. Ensure thickness of mattress does not exceed 6" (153mm).
3. Surface of mattress must be at least (160mm) below the upper edge of guardrails.
4. Prohibit more than one person on upper bunk.
5. Always use the ladder for entering and leaving the upper bunk.
6. Do not use substitute parts. Contact manufacturer or dealers for replacement parts.
7. Use of a night light may provide added safety precaution for a child using the upper bunk.
8. Always use guardrails on both long sides of the upper bunk. If the bunk bed will be placed next to the wall, the guardrail that runs the full length of the bed should be placed against the wall to prevent entrapment between the bed and wall.
9. The use of water or sleep floatation mattress is prohibited.
10. Keep these instructions for future reference.

STRANGULATION HAZARD

Never attach or hang items to any part of the bunk bed that are not designed for use with the bed; for example, but not limited to hooks, belts, and jump ropes.

Exploded View



Components - Panels

Please check that you have all the components listed below before constructing your items.



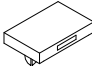
Part No	Description	Qty
A	Side Panel - L	1
B	Side Panel - R	1
C	Back Support Bar - L	1
D	Back Support bar - R	1
G	Front Bottom Side Rail	1
H	Back Bottom Side Rail	1
I	Front Upper Side Rail	1
J	Back Upper Side Rail	1
K	Front Guard Rail	1
L	Back Guard Rail	1
M	Ladder	1
O	Drawer Front	2
P	Drawer Side - L	2
Q	Drawer Side - R	2
R	Drawer Back	2
S	Drawer Support	4
T	Drawer Bottom	2
	Slats - 24pcs	2

Components - Fixings

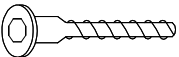

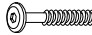
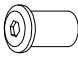

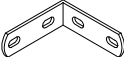
Please check that you have all the components listed below before constructing your items.

Note: The quantities below are the correct amount to complete the assembly. In some cases more fittings may be supplied than are required.

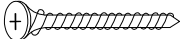
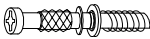

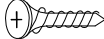



Fixings for Metal Part

(A)	JCBC M6x50mm	(B)	JCBC M6x40mm	(C)	Plastic Connector
					
	3 units		4 units		96 units

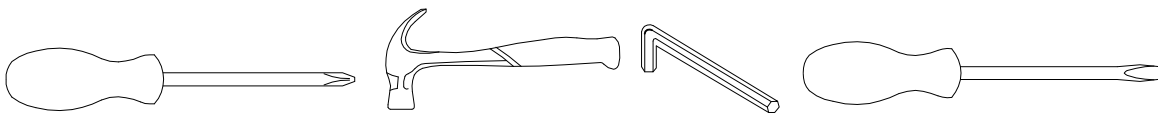
Fixings for Wooden Part

(E)	Unitar M6.3x50mm	(F)	Dowel D8x30mm	(G)	JCBC M6x25mm	(H)	JCN Nut M6x20mm
							
	6 units		4 units		22 units		22 units
(I)	Screw #10x16mm	(J)	Metal L-Bracket 2x15x50x50mm				
							
	8 units		2 units				

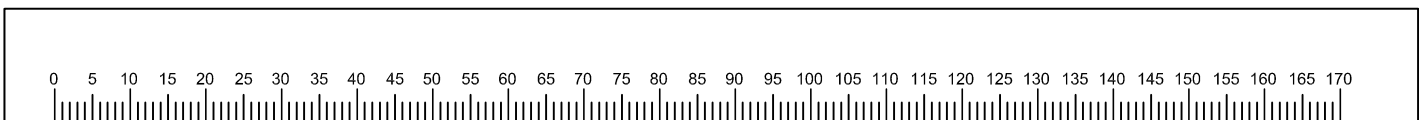
Fixings for Under Drawer

(K)	Screw M4x38mm	(L)	Minifix Bolt	(F)	Dowel D8x30mm	(M)	Screw M3.5x15mm
							
	8 units		12 units		16 units		16 units
(N)	Minifix Cam	(O)	Nylon Castor	(P)	Allen Key M4		
							
	12 units		8 unit		2 units		

Tools Required

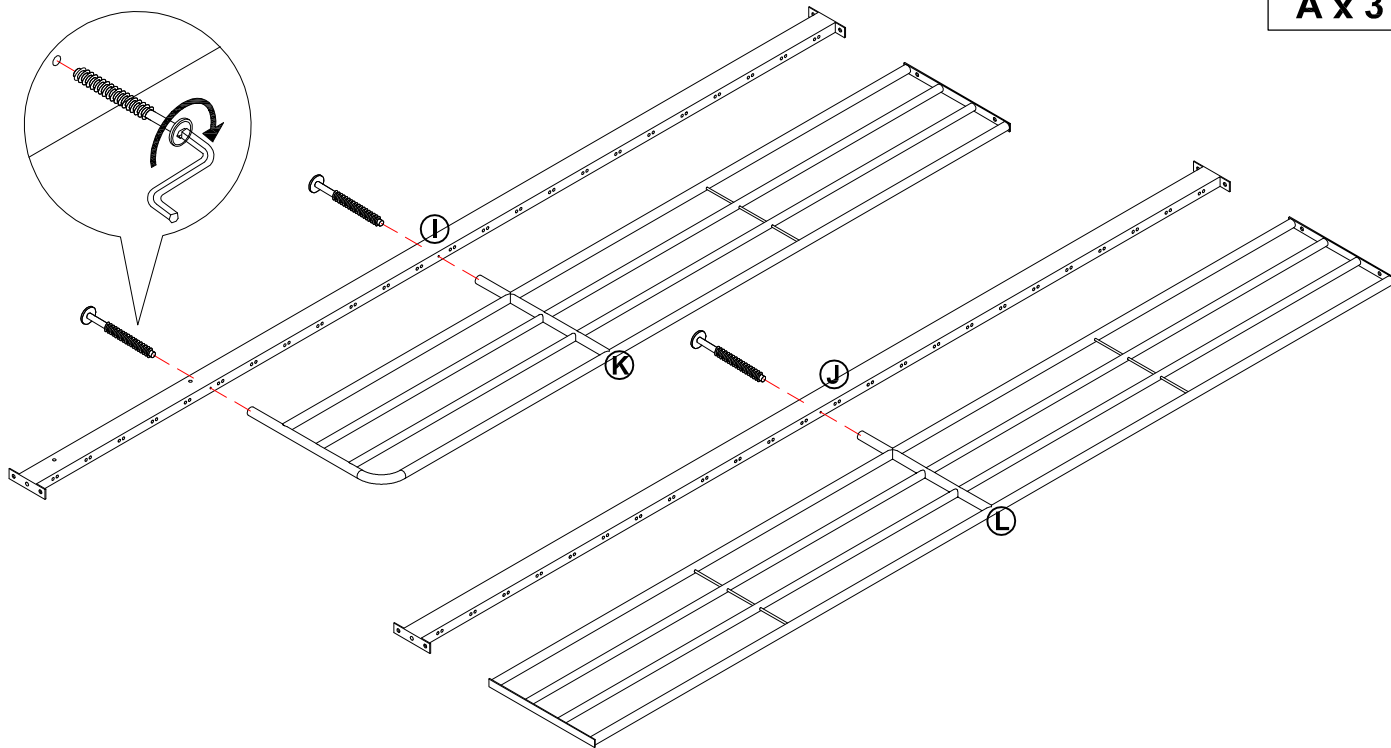


Ruler - Use this to measure your screws (mm)

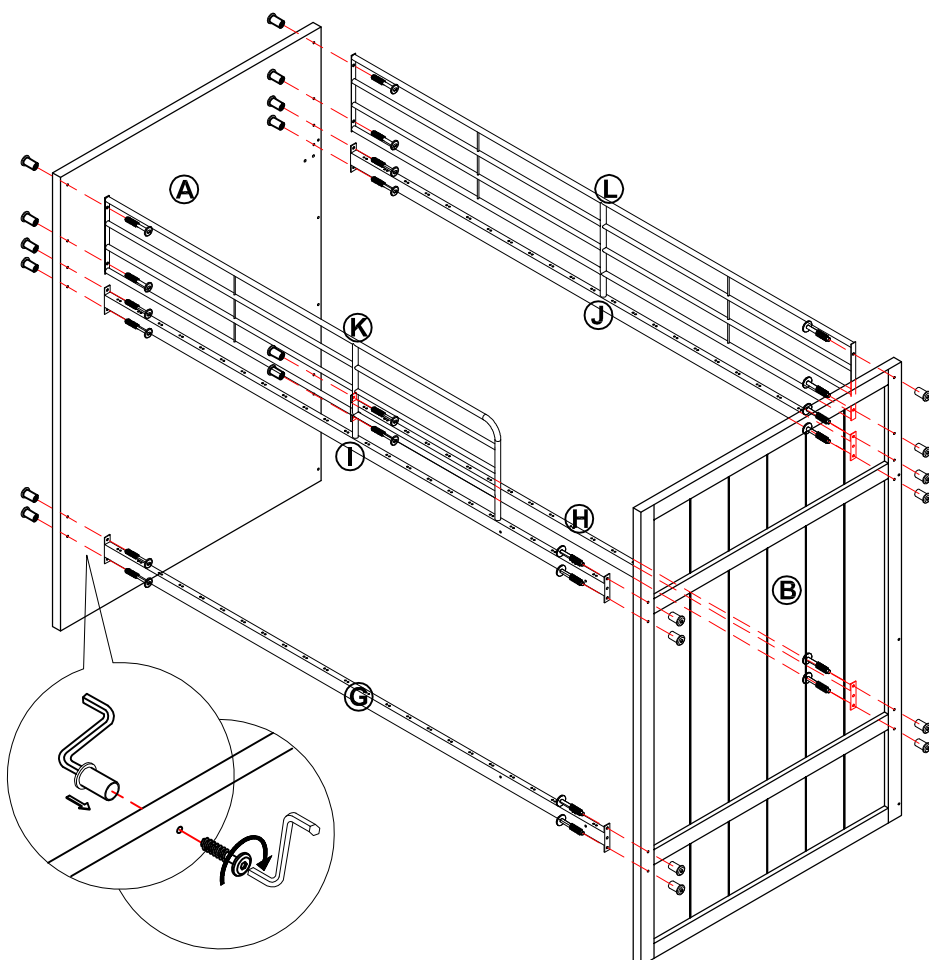


Assembly Instructions

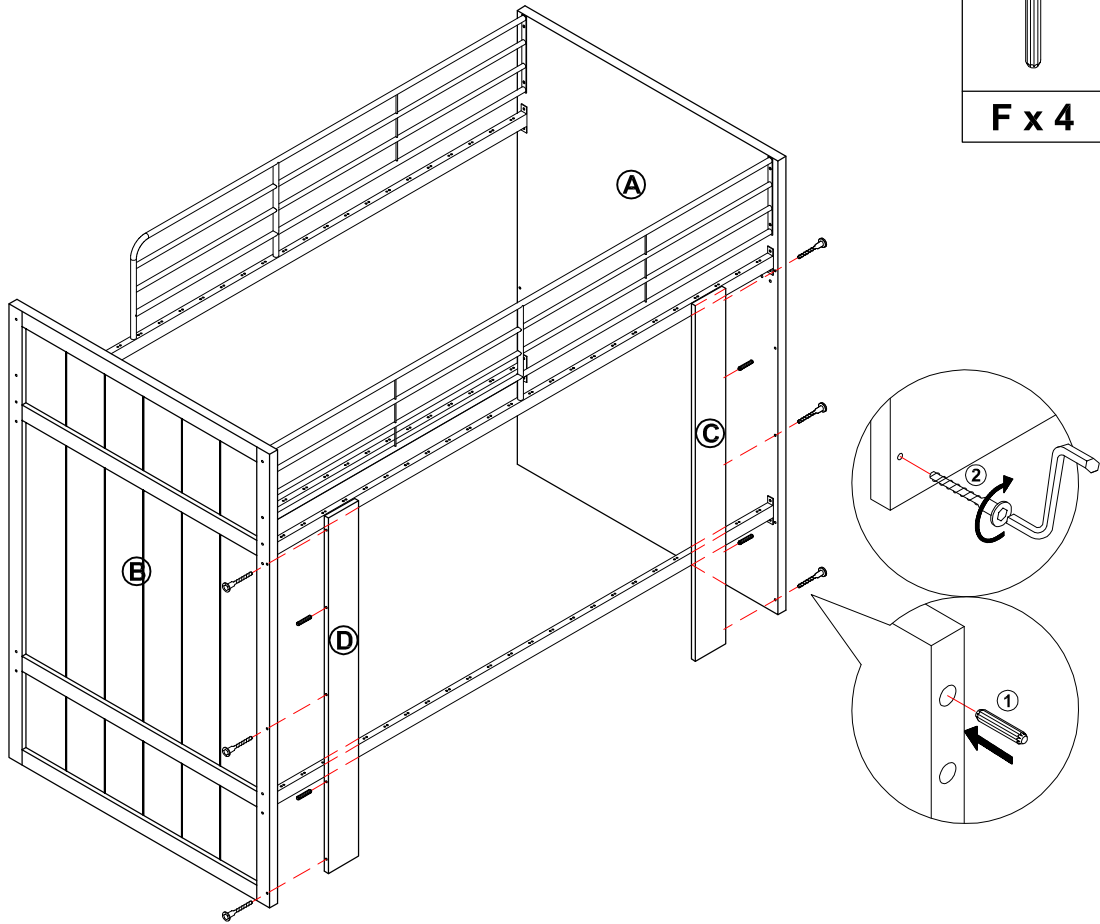
Step 1

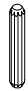



Step 2

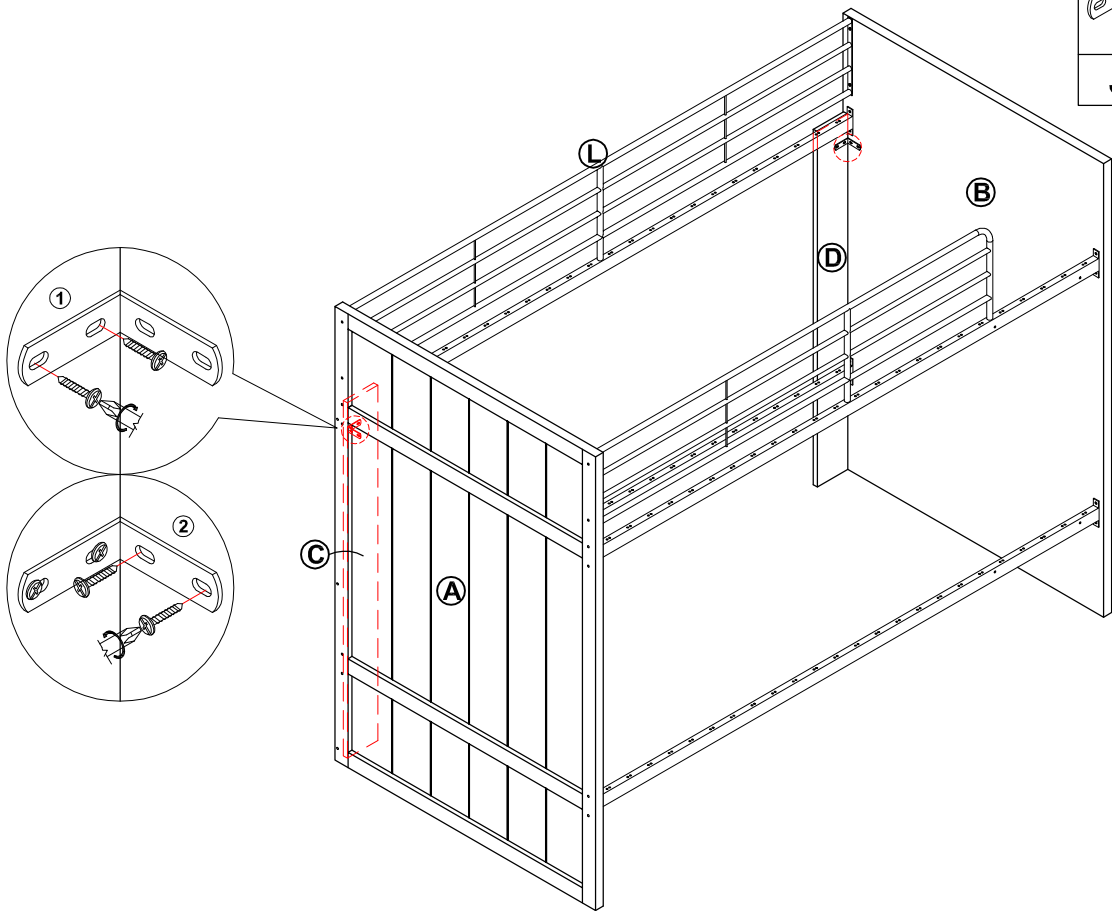


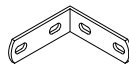

Step 3



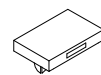
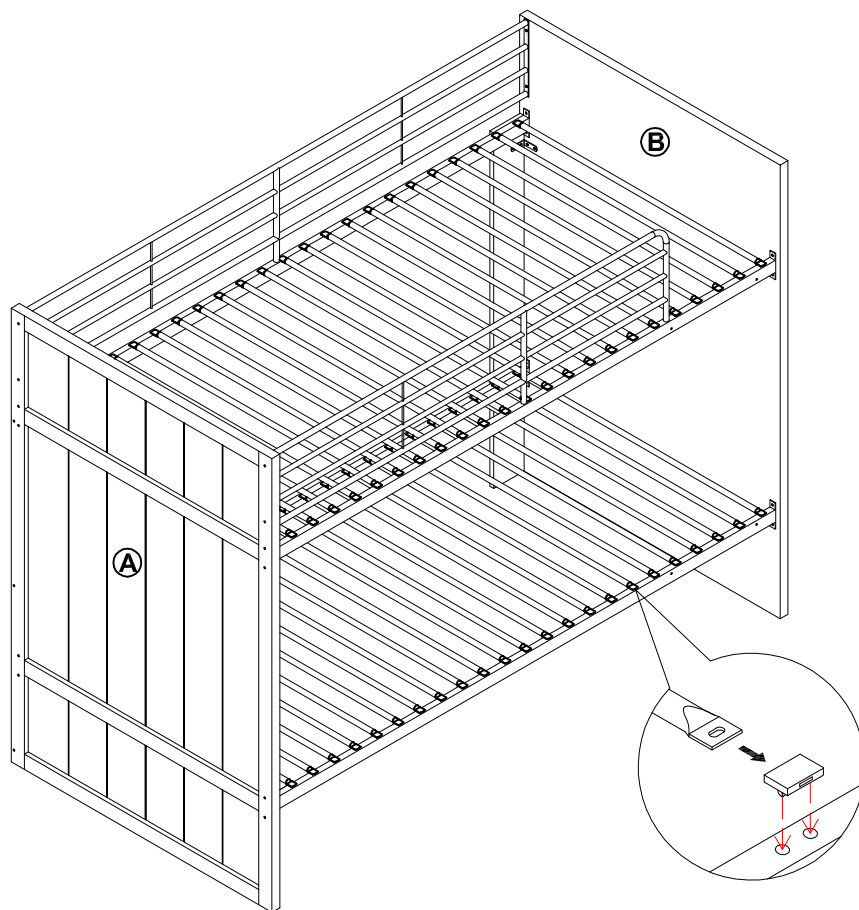
	
F x 4	E x 6

Step 4



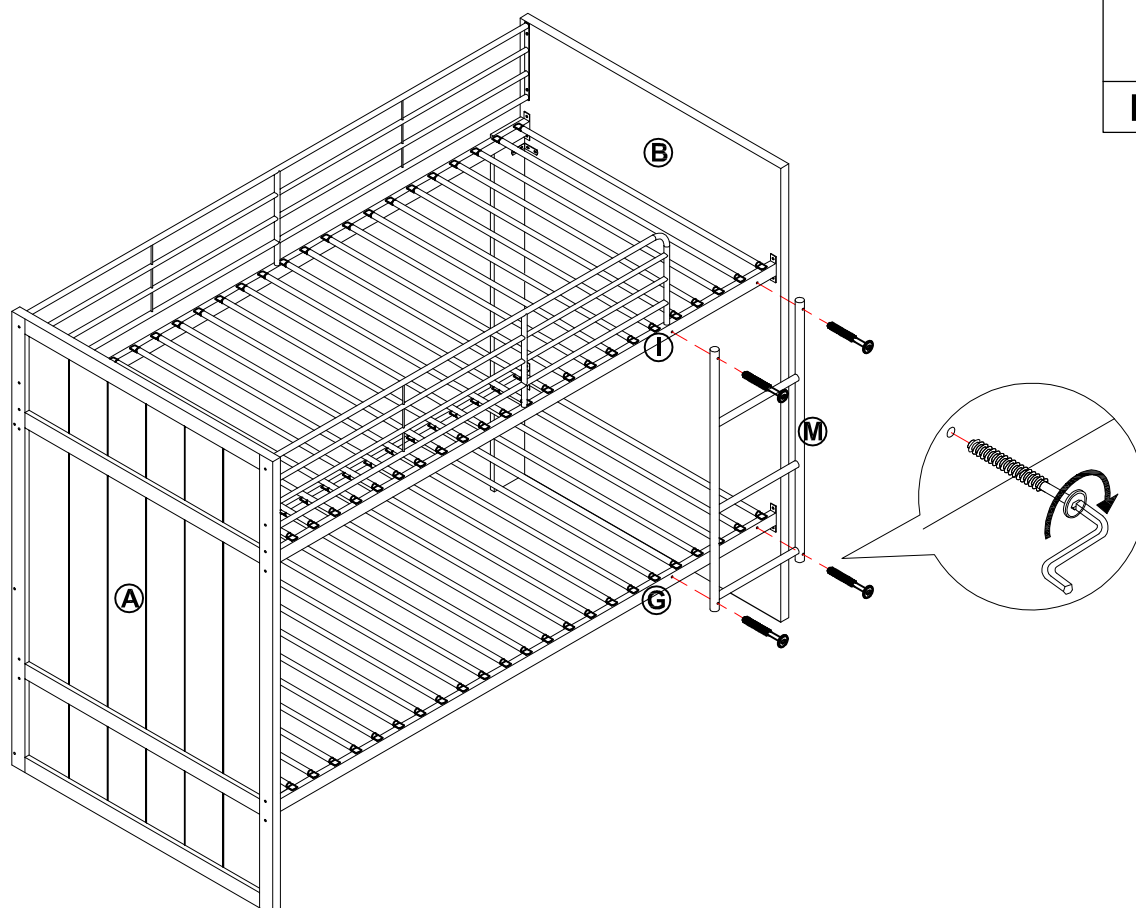
	
J x 2	I x 8

Step 5



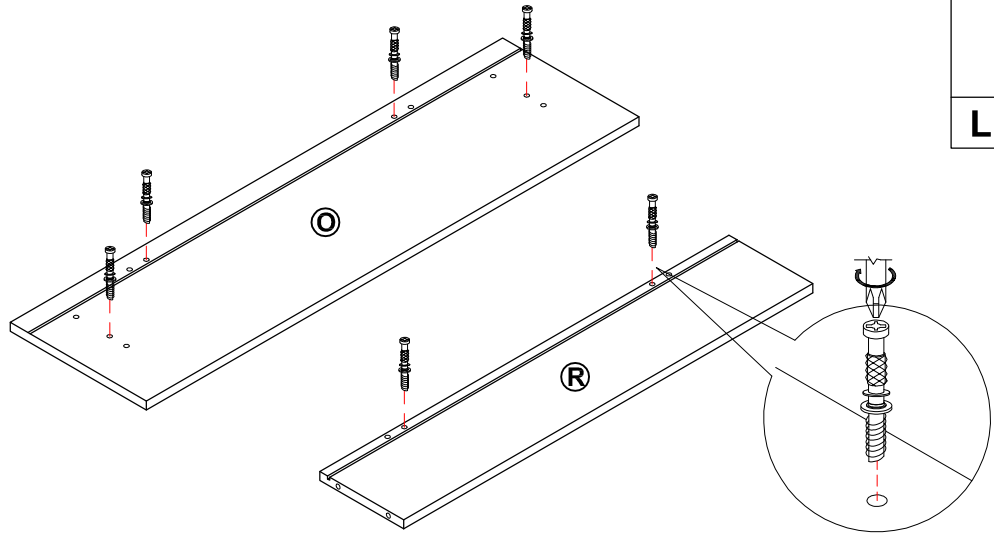
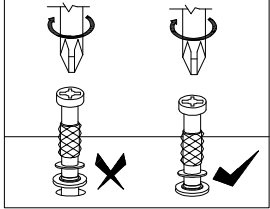
C x 96


Step 6



B x 4

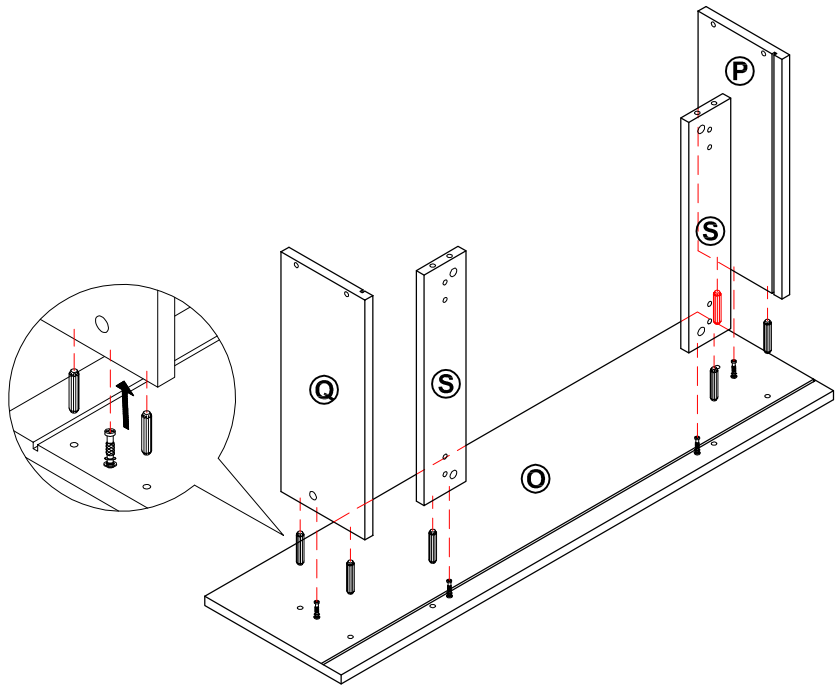
Step 7

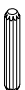



L x 12

(x2)

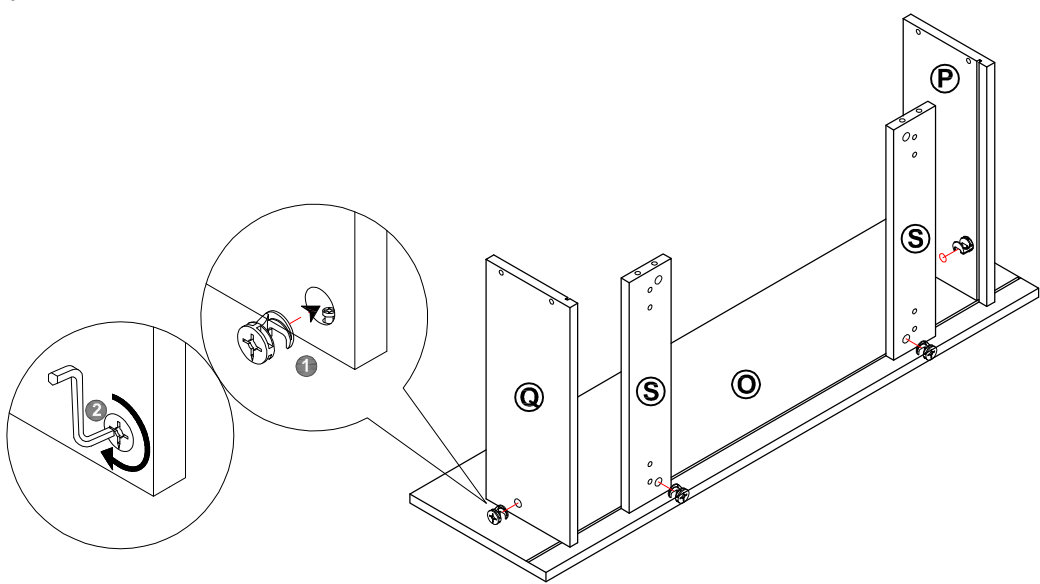
Step 8




F x 12

(x2)

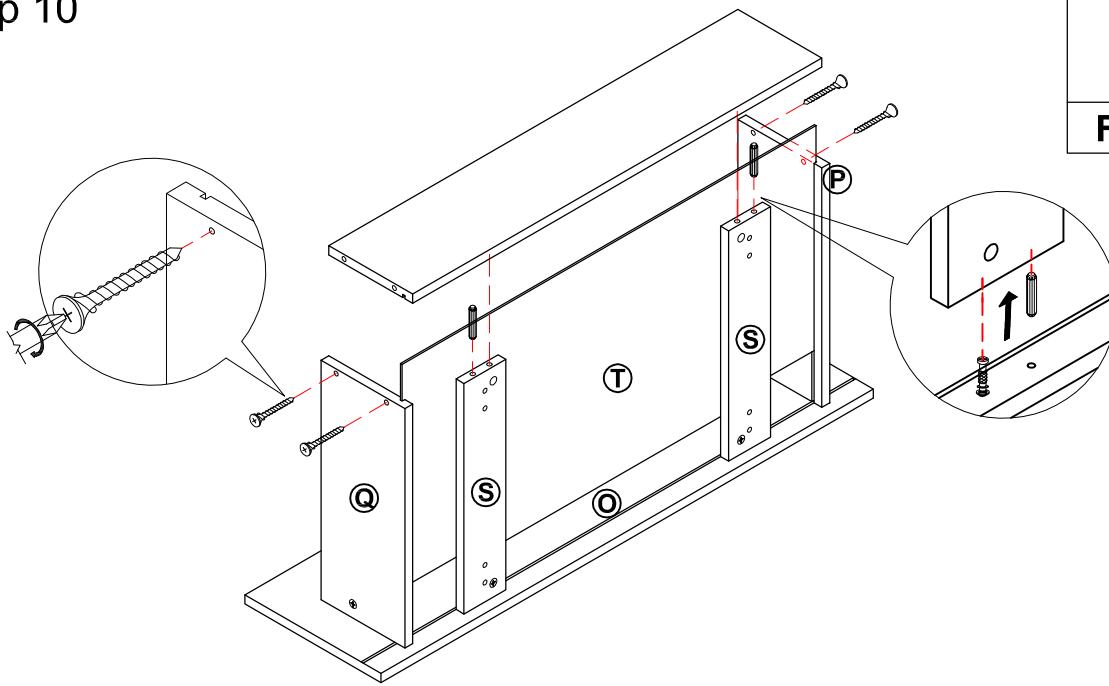
Step 9

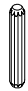




N x 8

(x2)

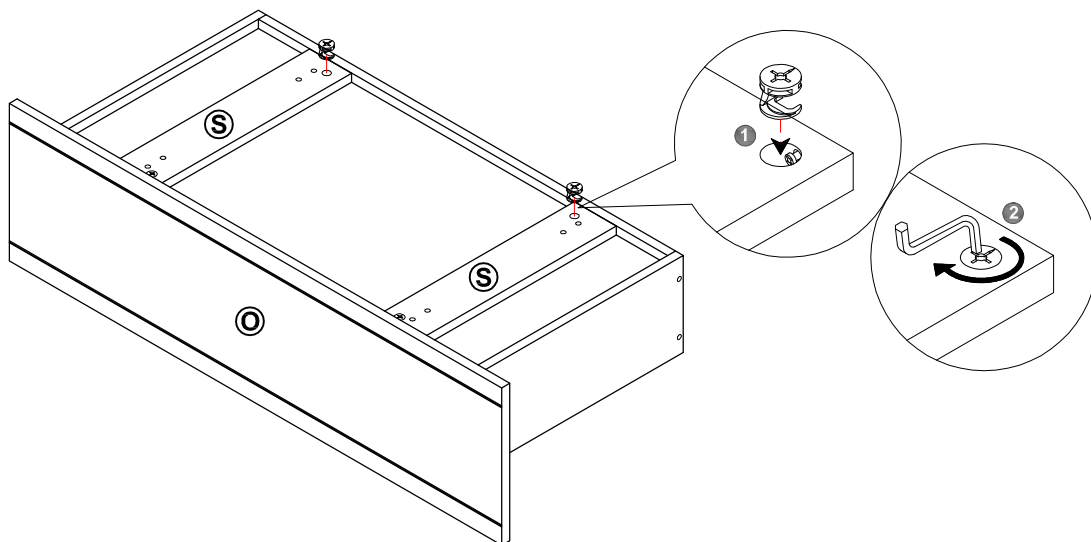
Step 10




	
F x 4	K x 8

(x2)

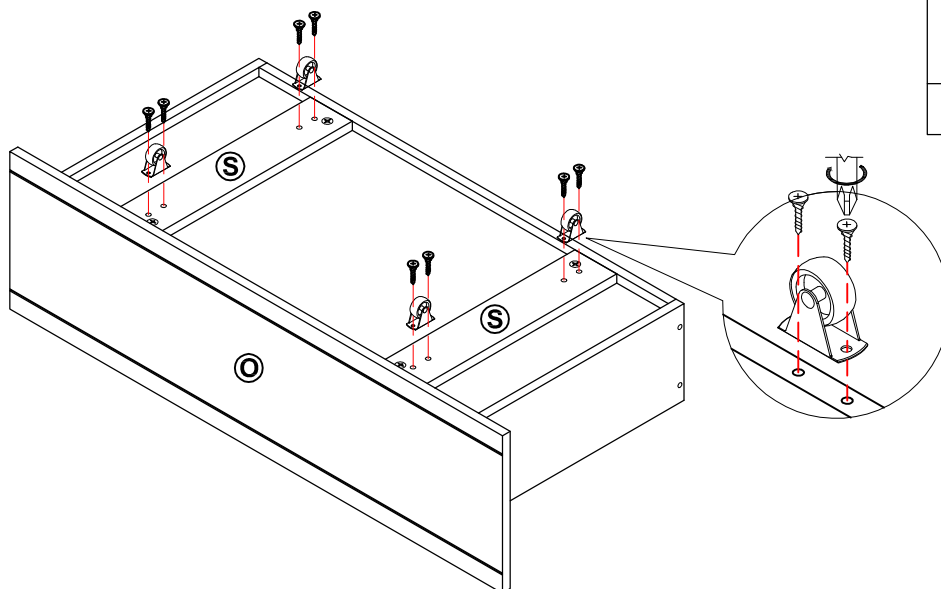
Step 11


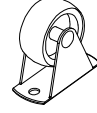



N x 4

(x2)

Step 12



	
O x 8	M x 16

(x2)

Step 13

