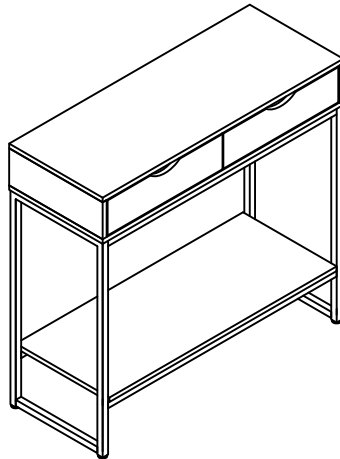


MIRELLE CONSOLE TABLE
ASSEMBLY INSTRUCTIONS



IMPORTANT
PLEASE READ BEFORE YOU CONTINUE FURTHER

PLEASE KEEP THE ORIGINAL PACKAGING UNTIL THE ITEM IS FULLY ASSEMBLED AND IN PLACE . IN THE UNLIKELY EVENT THAT YOU NEED TO RETURN YOUR PRODUCT, IT MUST BE RETURNED IN ITS ORIGINAL PACKAGING TO AVOID FURTHER DAMAGE . FAILURE TO COMPLY TO THESE PROCEDURES, NO RETURN'S WILL BE ACCEPTED .

THE PRODUCT YOU HAVE PURCHASED WILL GIVE YOU MANY YEARS OF SERVICE IF YOU FOLLOW THE GUIDELINES FOR ITS SAFE ASSEMBLY AND PERIODIC MAINTENANCE AND CLEANING .

ASSEMBLE ON A SOFT CLEAN SURFACE .

DO NOT USE ANY TOOLS OTHER THAN THOSE SHOWN .

ANY SPANNERS OR ALLEN KEYS REQUIRED ARE INCLUDED WITH FITTINGS KIT. DO NOT FOR ANY REASON USE A POWER TOOL TO ASSEMBLE THIS PRODUCT. ITS USE WILL INVALIDATE ANY CLAIM YOU MAY HAVE AND COULD MAKE THIS PRODUCT UNSAFE .

DEPENDING ON THE AMOUNT OF USE THIS PRODUCT RECEIVES IT MAY BE NECESSARY TO TIGHTEN UP THE FIXINGS FROM TIME TO TIME.THIS IS COMPLETELY NORMAL FOR ANY FLAT PACK FURNITURE .
DO NOT OVERTIGHTEN FIXINGS.

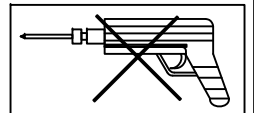
FOR CLEANING , YOU MAY USE A DAMP CLOTH (NOT WET) . THE SURFACE TO THIS ITEM IS NOT HEAT RESISTANT . ALWAYS USE A PLACE MAT UNDER HOT OR COLD ITEMS TO PREVENT MARKING .

PLEASE DO NOT THROW AWAY ANY PACKAGING UNIT ALL COMPONENTS HAVE BEEN CHECKED.
IF COMPONENTS ARE MISSING PLEASE CONTACT SUPPLIER IMMEDIATELY .

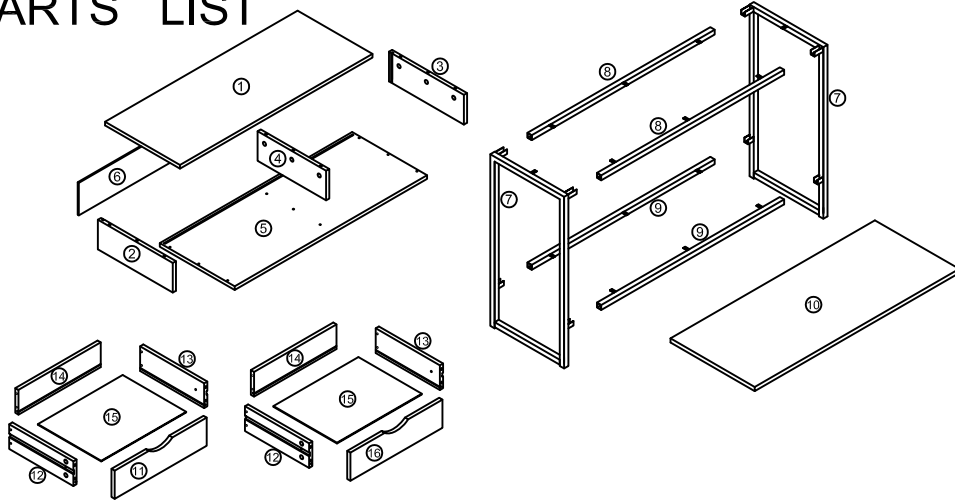
TWO PERSONS REQUIRED TO ASSEMBLE THIS PRODUCT

1. Please check that you have all the parts listed before you start assembling. If you do find that something is missing .do not continue assembly . Please contact your supplier immediately.
2. Lay out all of the components on a soft surface as if you were preparing to do a jigsaw puzzle.
3. Separate and identify each component,from the hardware pack and rest each one in its proper location before fastening.

THE USE OF POWER TOOLS TO ASSEMBLE THIS PRODUCT WILL INVALIDATE ANY CLAIM AND ANY DAMAGE THIS PRODUCT MAKING IT UNSAFE

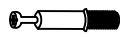


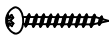











PARTS LIST

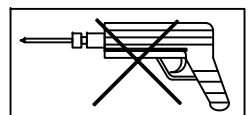


1	TABLE TOP	1PC
2	LEFT SIDE PANEL	1PC
3	RIGHT SIDE PANEL	1PC
4	MIDDLE PANEL	1PC
5	BOTTOM PANEL	1PC
6	BACK PANEL	1PC
7	BOTTOM SIDE FRAME	2PCS
8	FRONT UPPER RAIL	2PCS
9	BOTTOM UPPER RAIL	2PCS
10	BOTTOM PANEL	1PC
11	DRAWER FRONT	1PC
12	DRAWER LEFT SIDE	2PCS
13	DRAWER RIGHT SIDE	2PCS
14	DRAWER BACK	2PCS
15	DRAWER BOTTOM	2PCS
16	DRAWER FRONT	1PC

HARDWARE LIST


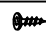
A		CAM PILLAR	17PCS
B		CAM	17PCS
C		BOLT	12PCS
D		SCREW	9PCS
E		SCREW	8PCS
F		SCREW	14PCS
G		SLIDE WAY	4PCS
H		SCREW	10PCS
J		SCREW	4PCS
K		ROTARY PIN	4PCS
L		FLAT WASHER	2PCS
M		WALL STRAP	2PCS
N		ALLEN KEY	1PC

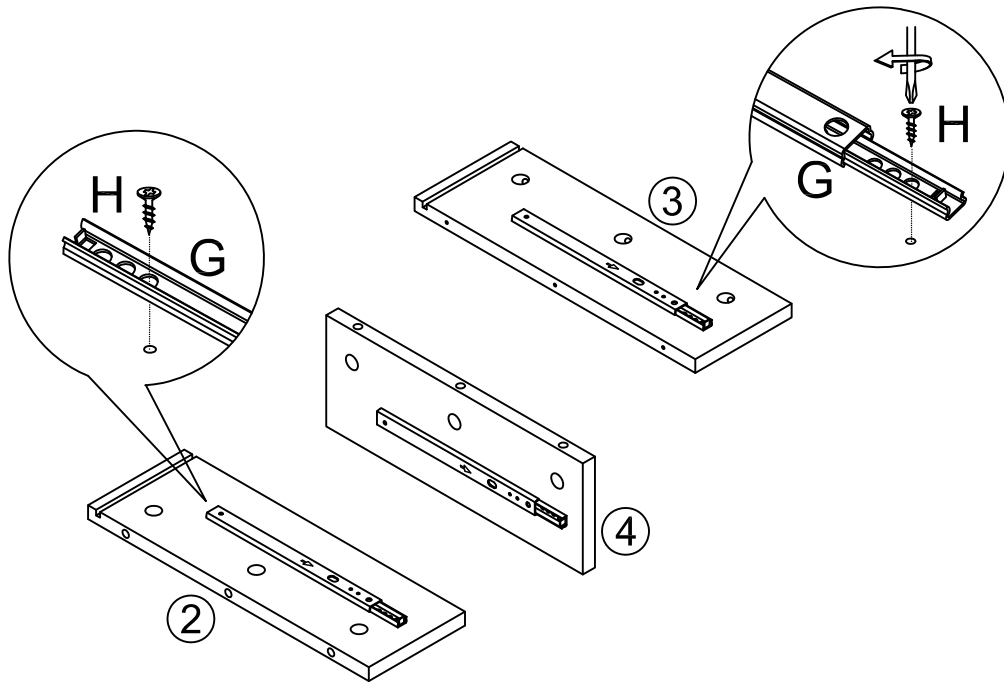
THE USE OF POWER TOOLS TO ASSEMBLE THIS PRODUCT WILL INVALIDATE ANY CLAIM AND ANY DAMAGE THIS PRODUCT MAKING IT UNSAFE



STEP 1

You will need:

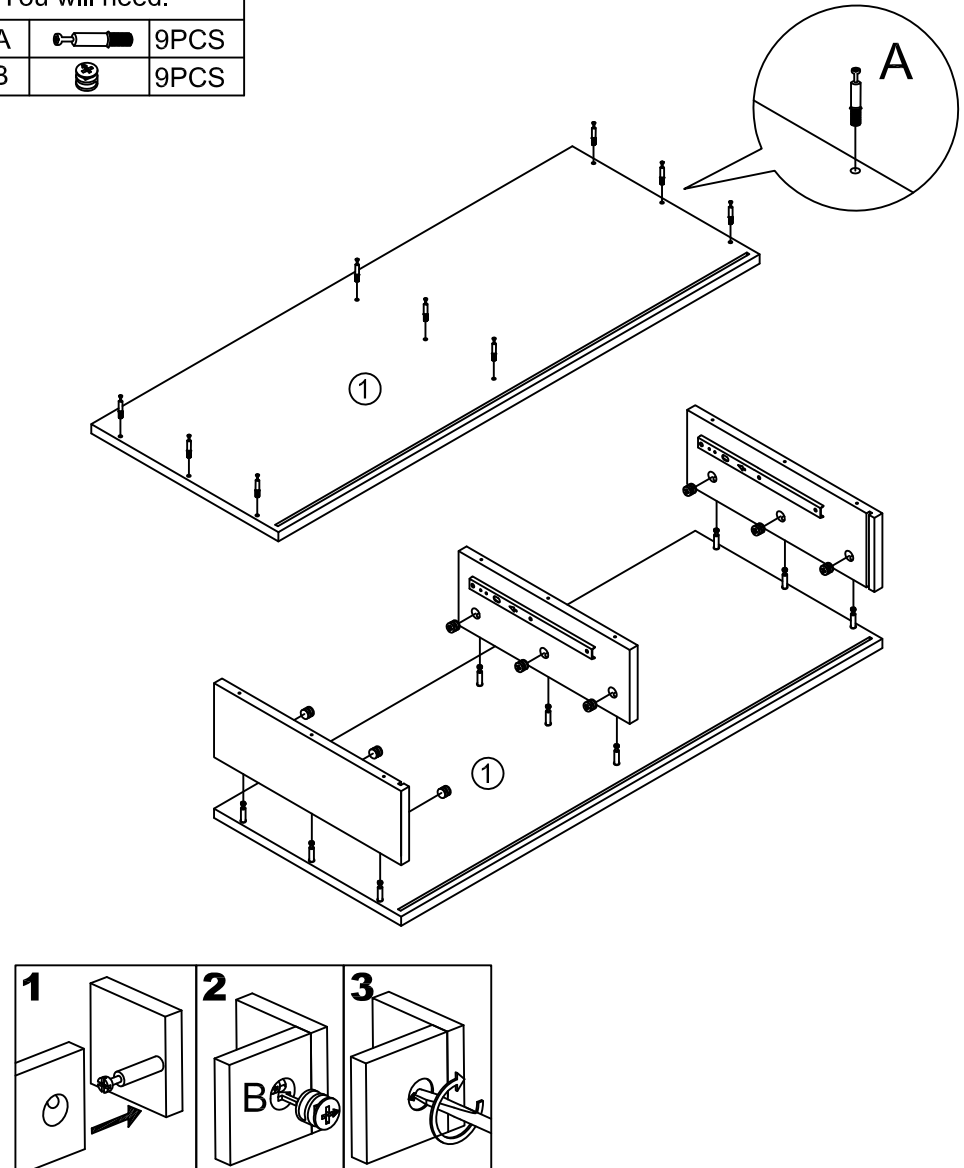
G		4PCS
H		8PCS



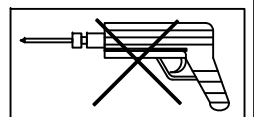
STEP 2

You will need:

A		9PCS
B		9PCS

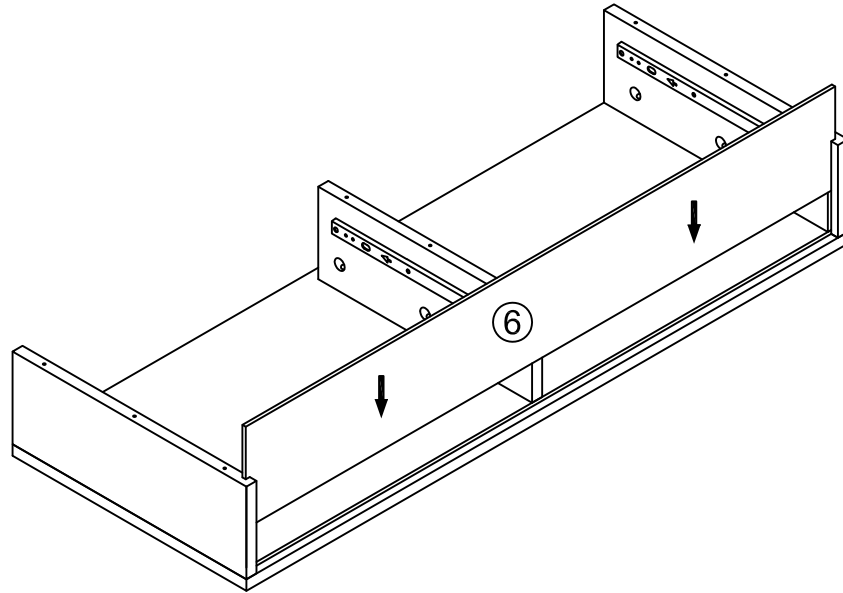


THE USE OF POWER TOOLS TO ASSEMBLE THIS PRODUCT WILL INVALIDATE ANY CLAIM AND ANY DAMAGE THIS PRODUCT MAKING IT UNSAFE



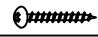
STEP 3

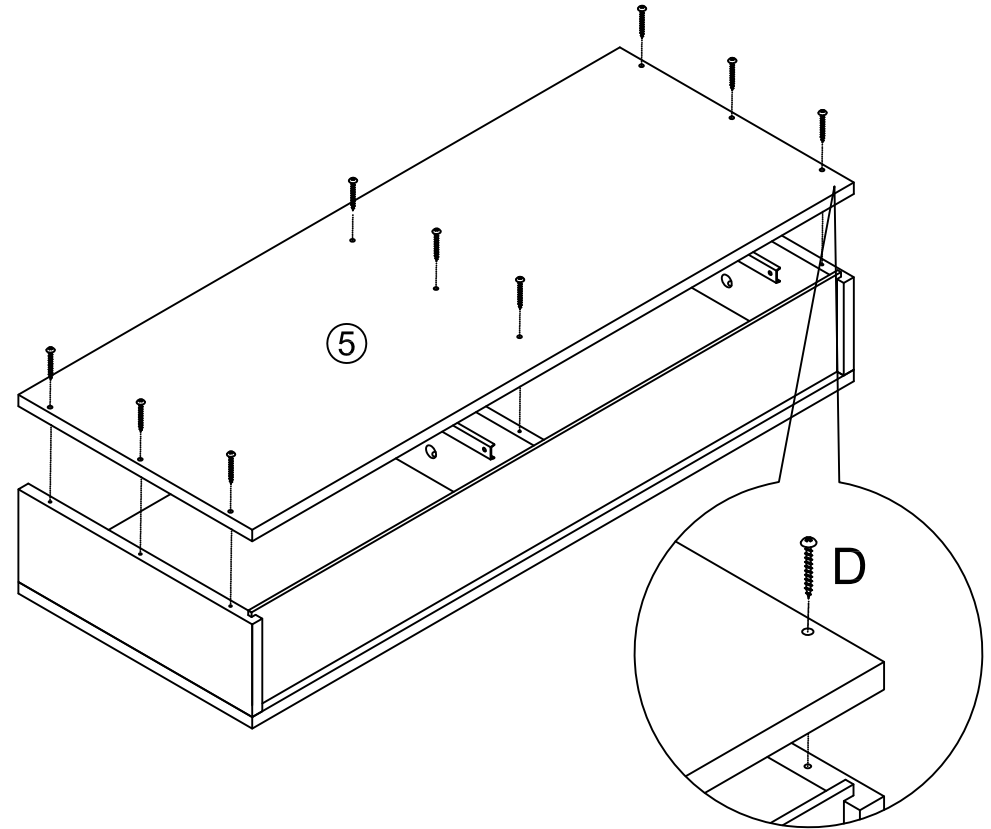
You will need:



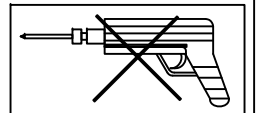
STEP 4

You will need:

D  9PCS



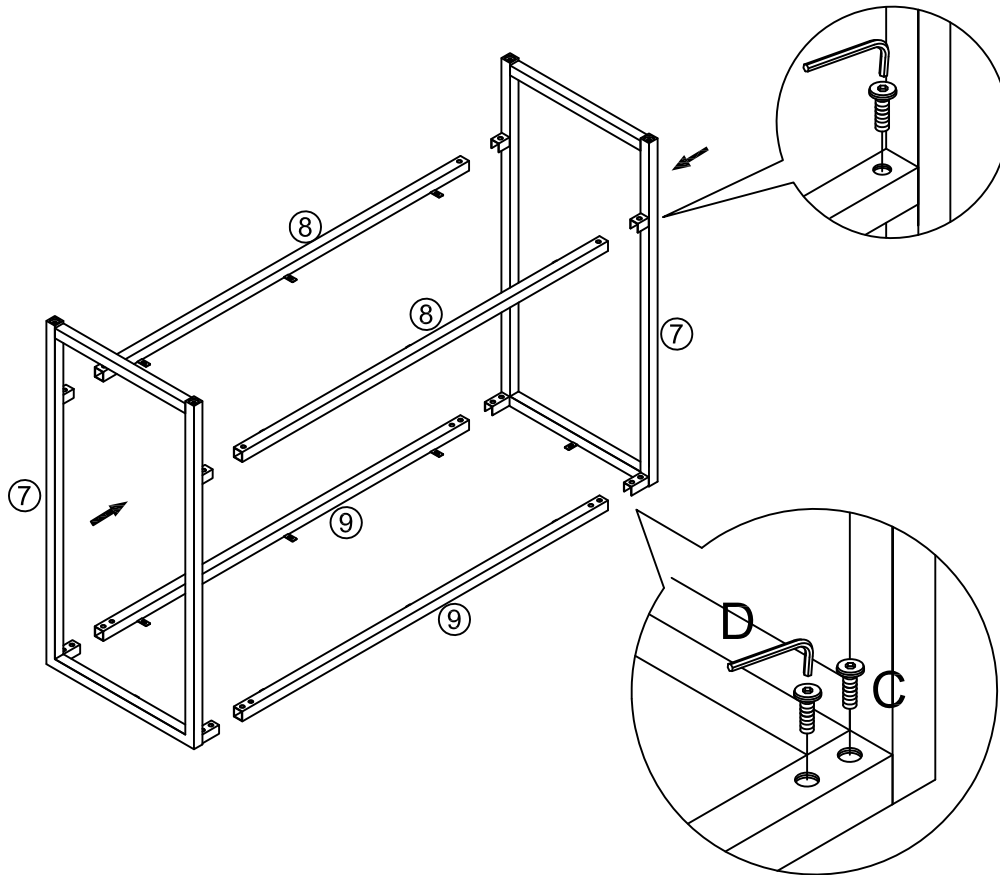
THE USE OF POWER TOOLS TO ASSEMBLE THIS PRODUCT WILL INVALIDATE ANY CLAIM AND ANY DAMAGE THIS PRODUCT MAKING IT UNSAFE



STEP 5

You will need:

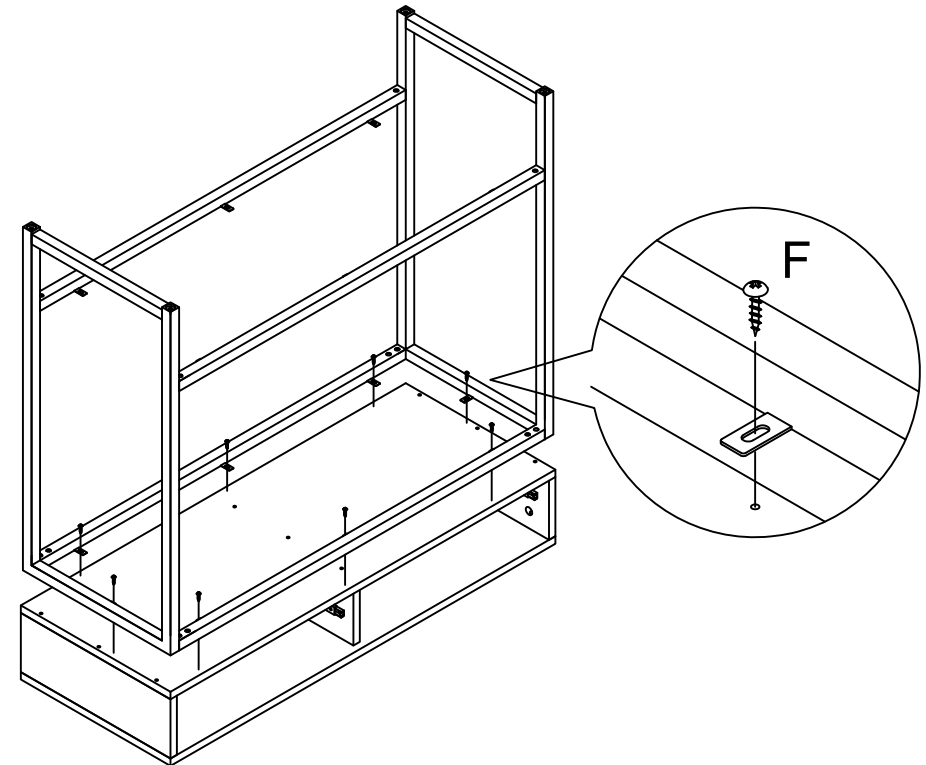
C  12PCS



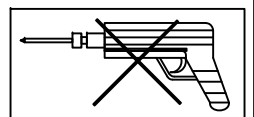
STEP 6

You will need:

F  8PCS



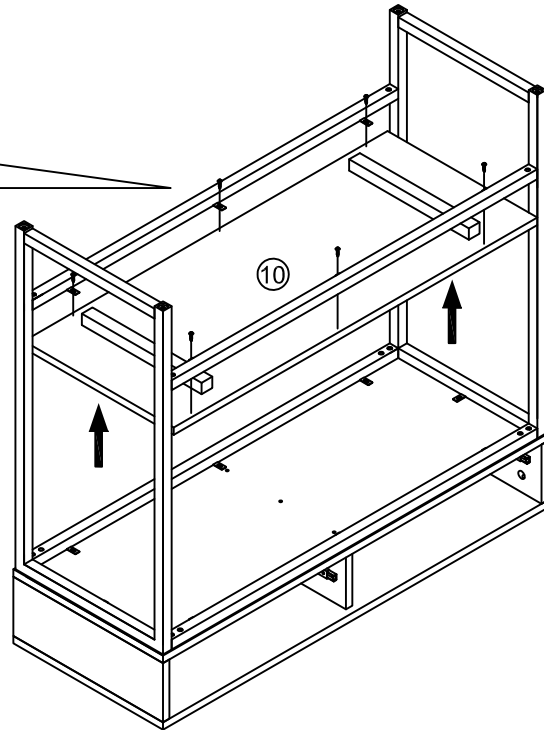
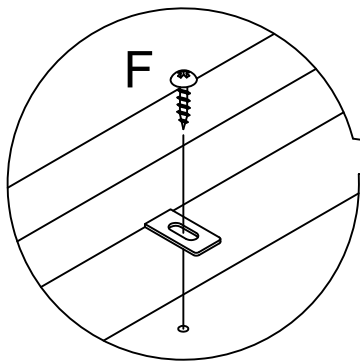
THE USE OF POWER TOOLS TO ASSEMBLE THIS PRODUCT WILL INVALIDATE ANY CLAIM AND ANY DAMAGE THIS PRODUCT MAKING IT UNSAFE



STEP 7





You will need:

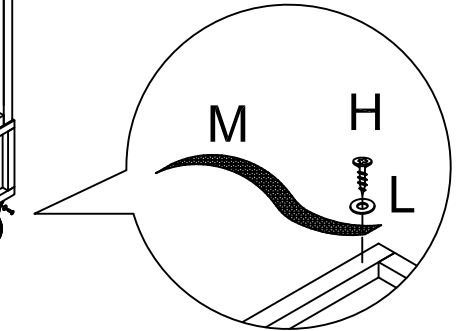
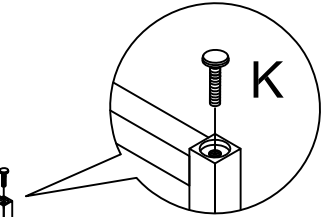
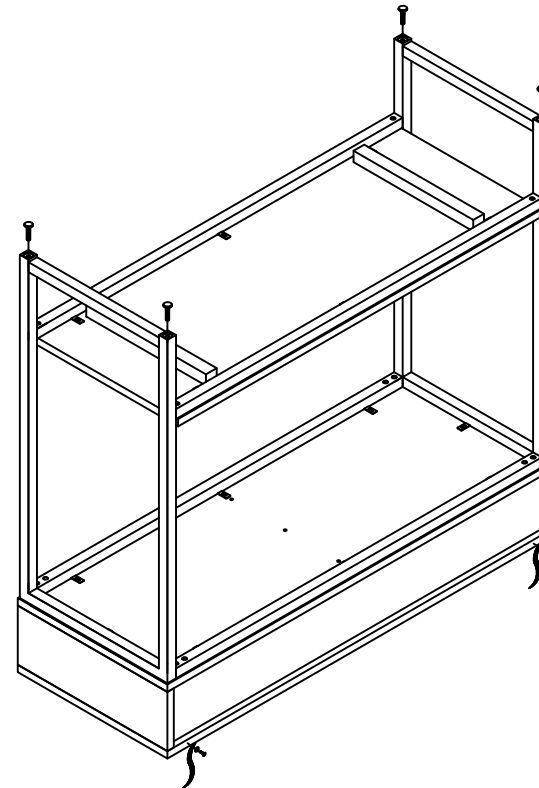
F		6PCS
---	---	------



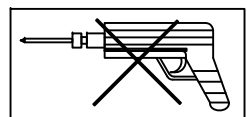
STEP 8

You will need:

K		4PCS
H		2PCS
L		2PCS
M		2PCS






THE USE OF POWER TOOLS TO ASSEMBLE THIS PRODUCT WILL INVALIDATE ANY CLAIM AND ANY DAMAGE THIS PRODUCT MAKING IT UNSAFE



STEP 9

You will need:

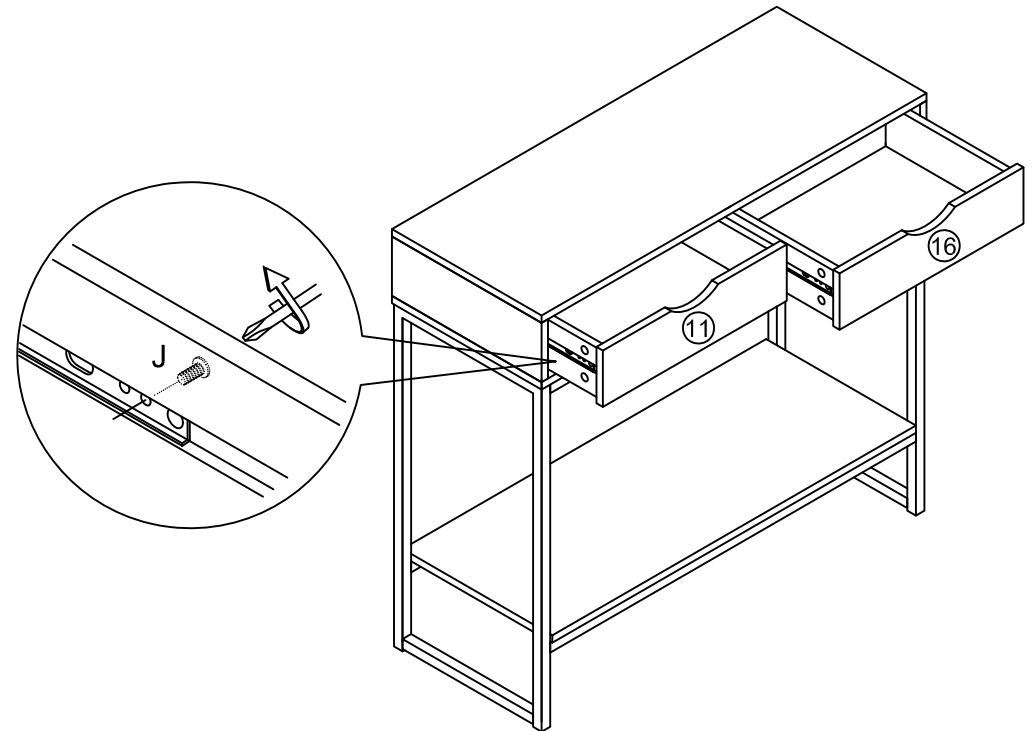
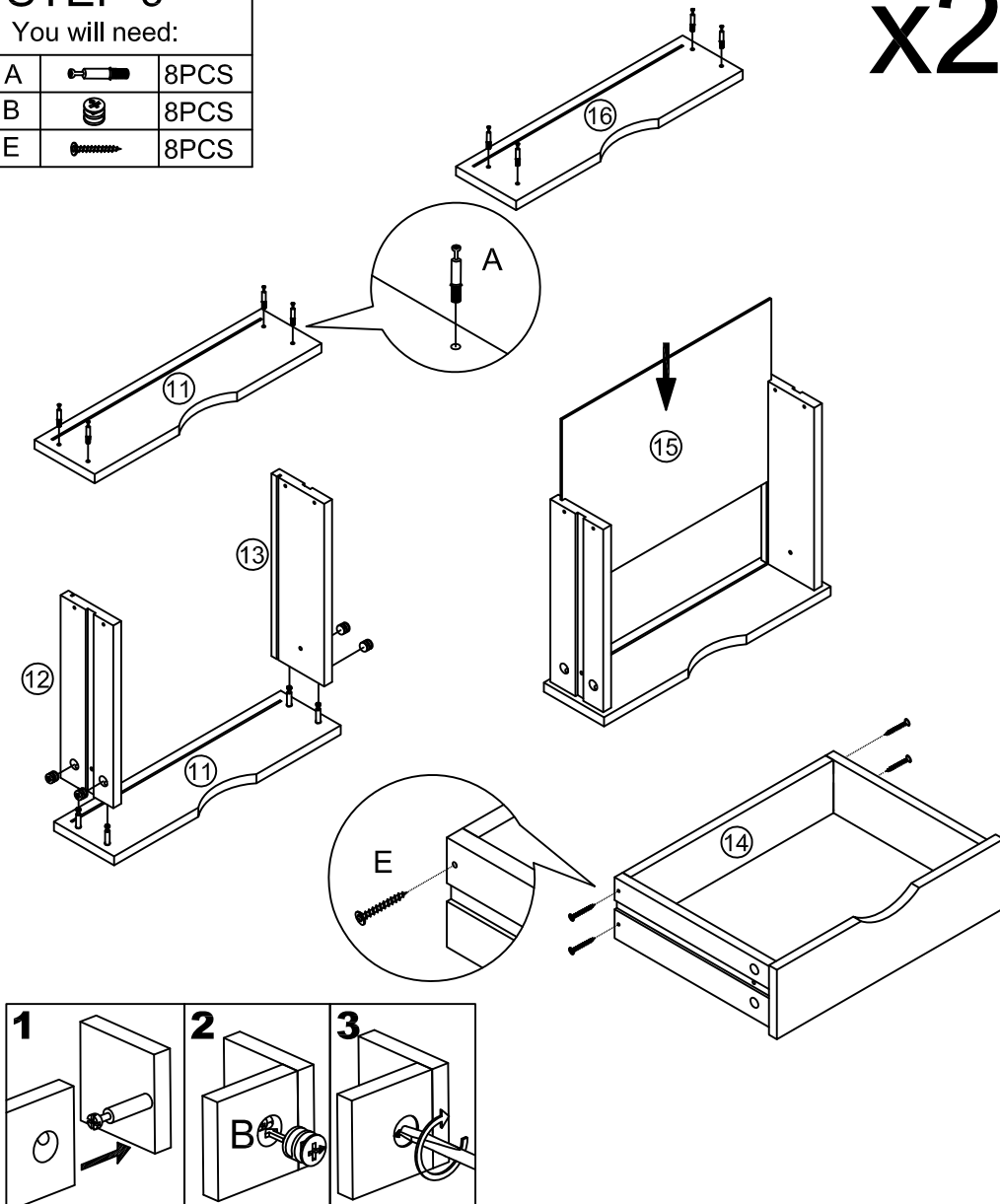
A		8PCS
B		8PCS
E		8PCS

x2

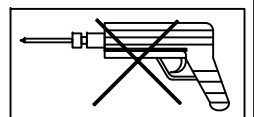
STEP 10

You will need:

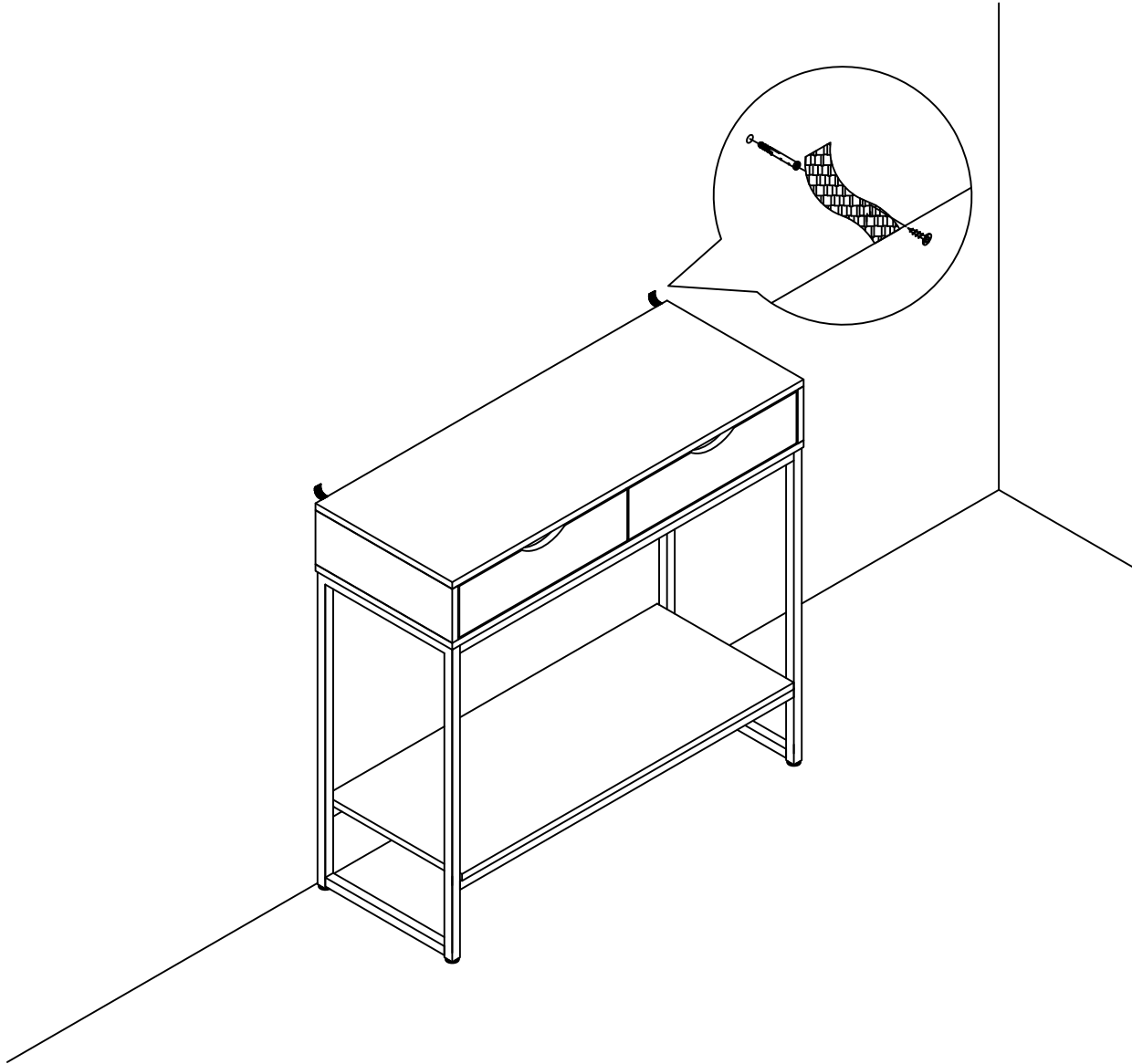
J		4PCS
---	---	------



THE USE OF POWER TOOLS TO ASSEMBLE THIS PRODUCT WILL INVALIDATE ANY CLAIM AND ANY DAMAGE THIS PRODUCT MAKING IT UNSAFE



STEP 11



THE USE OF POWER TOOLS TO ASSEMBLE THIS PRODUCT WILL INVALIDATE ANY CLAIM AND ANY DAMAGE THIS PRODUCT MAKING IT UNSAFE

