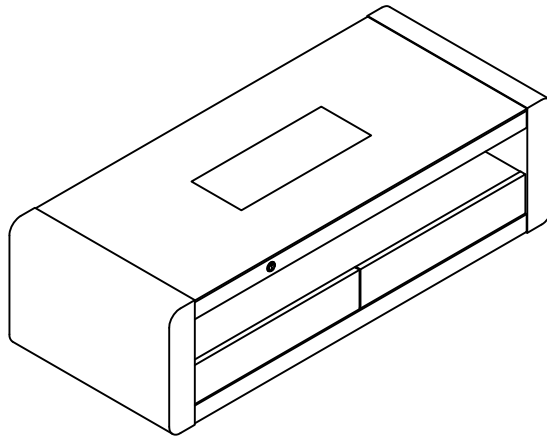


MATRIX COFFEE TABLE ASSEMBLY INSTRUCTIONS



IMPORTANT

PLEASE READ BEFORE YOU CONTINUE FURTHER

THE PRODUCT YOU HAVE PURCHASED WILL GIVE YOU MANY YEARS OF SERVICE IF YOU FOLLOW THE GUIDELINES FOR ITS SAFE ASSEMBLY AND PERIODIC MAINTENANCE AND CLEANING.

ASSEMBLE ON A SOFT CLEAN SURFACE.

DO NOT USE ANY TOOLS OTHER THAN THOSE SHOWN.

ANY SPANNERS OR ALLEN KEYS REQUIRED ARE INCLUDED WITH THE FITTINGS KIT. DO NOT FOR ANY REASON USE A POWER TOOL TO ASSEMBLE THIS PRODUCT. ITS USE WILL INVALIDATE ANY CLAIM YOU MAY HAVE AND COULD MAKE THIS PRODUCT UNSAFE.

DEPENDING ON THE AMOUNT OF USE THIS PRODUCT RECEIVES IT MAY BE NECESSARY TO TIGHTEN UP THE FIXINGS FROM TIME TO TIME .THIS IS COMPLETELY NORMAL FOR ANY FLAT PACK FURNITURE.
DO NOT OVERTIGHTEN FIXINGS.

FOR CLEANING, YOU MAY USE A DAMP CLOTH (NOT WET).

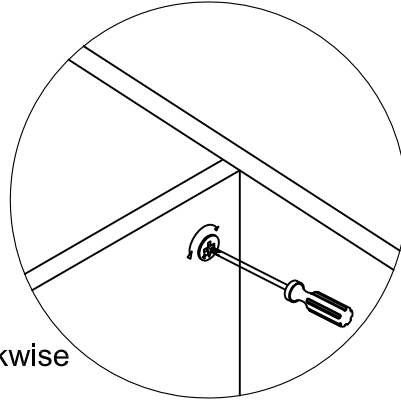
THE SURFACE OF THIS ITEM IS NOT HEAT RESISTANT. ALWAYS USE A PLACE MAT UNDER HOT OR COLD ITEMS TO PREVENT MARKING.

PLEASE DO NOT THROW AWAY ANY PACKAGING UNIT ALL COMPONENTS HAVE BEEN CHECKED.
IF COMPONENTS ARE MISSING PLEASE CONTACT SUPPLIER IMMEDIATELY.

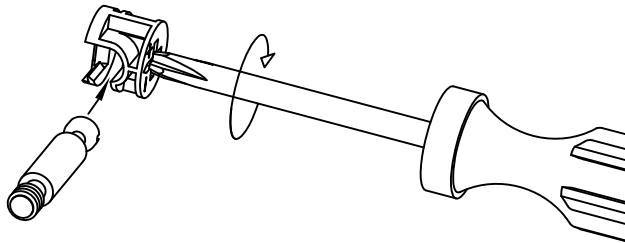


(Screwdriver not provided)

Use a flat blade screwdriver to tighten the cam nuts. A quarter of a turn clockwise is all that is needed.



This is how a cam nut works.....

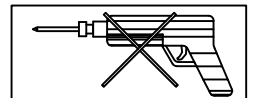


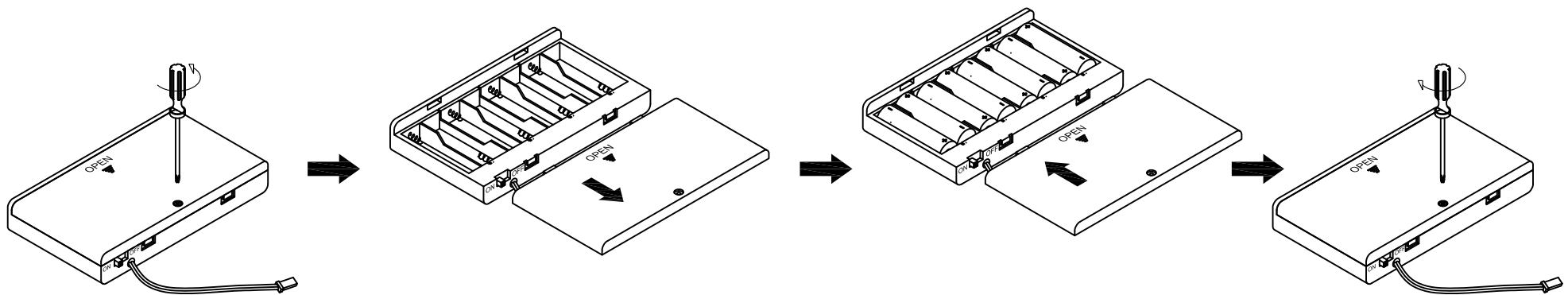
The head of the bolt goes into the wide mouth of the cam nut. You then turn the nut so the narrow part closes over the bolt.

TWO PERSONS REQUIRED TO ASSEMBLE THIS PRODUCT

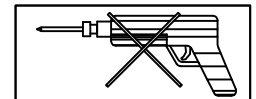
1. Please check that you have all the parts listed before you start assembling. If you do find that something is missing, do not continue assembly. Please contact your supplier immediately.
2. Lay out all of the components on a soft surface as if you were preparing to do a jigsaw puzzle.
3. Separate and identify each component, from the hardware pack and rest each one in its proper location before fastening.



















THE USE OF POWER TOOLS TO ASSEMBLE THIS PRODUCT WILL INVALIDATE ANY CLAIM AND ANY DAMAGE THIS PRODUCT MAKING IT UNSAFE



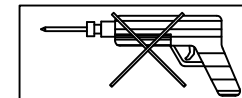


THE USE OF POWER TOOLS TO ASSEMBLE THIS PRODUCT WILL INVALIDATE ANY CLAIM AND ANY DAMAGE THIS PRODUCT MAKING IT UNSAFE






HARDWARE LIST							
A		Ø6x30MM DOWEL	4 PCS	P		M8 NUT	8 PCS
B		Ø8x30MM DOWEL	16 PCS	Q		M8 SPANNER	1 PC
C		Ø8x50MM DOWEL	2 PCS	R		Ø3x16 SCREW	2 PCS
D		Ø10x40MM DOWEL	8 PCS	S		BATTERY STOPPER	2 PCS
E		Ø6.2x35 CAM BOLT	21 PCS	T		BATTERY BOX	1 PC
F		Ø15 CAM LOCK	9 PCS				
G		Ø12 CAM LOCK	12 PCS				
H		4MM ALLEN KEY	1 PC				
I		Ø3.5x51 SCREW	6 PCS				
J		L=285 RUNNER	4 PCS				
K		Ø3x10 SCREW	24 PCS				
L		Ø3.5x25 SCREW	10 PCS				
M		M8x75 SCREW ROD	8 PCS				
N		Ø38xM8 NUT	8 PCS				
O		M8 SPRING WASHER	8 PCS				

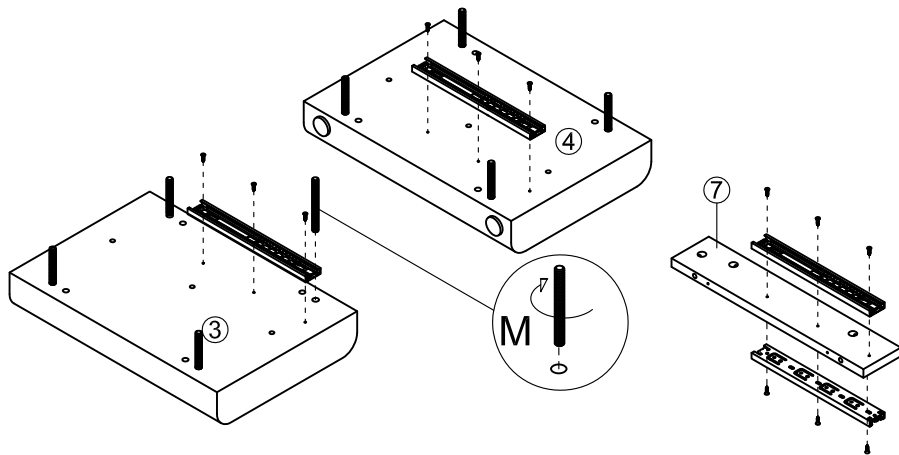
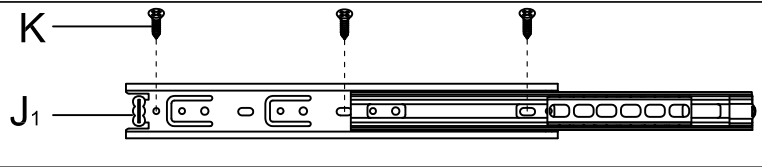
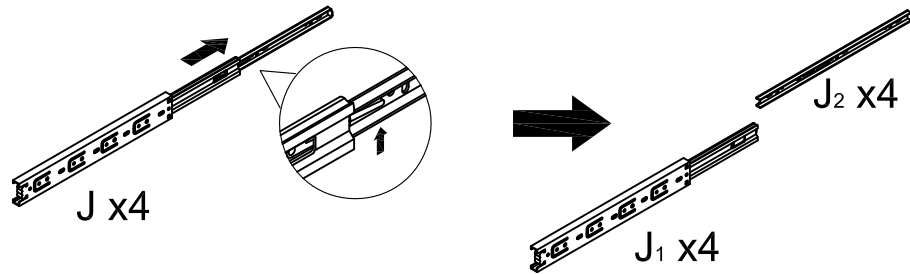
THE USE OF POWER TOOLS TO ASSEMBLE THIS PRODUCT WILL INVALIDATE ANY CLAIM AND ANY DAMAGE THIS PRODUCT MAKING IT UNSAFE



STEP 1

You will need:

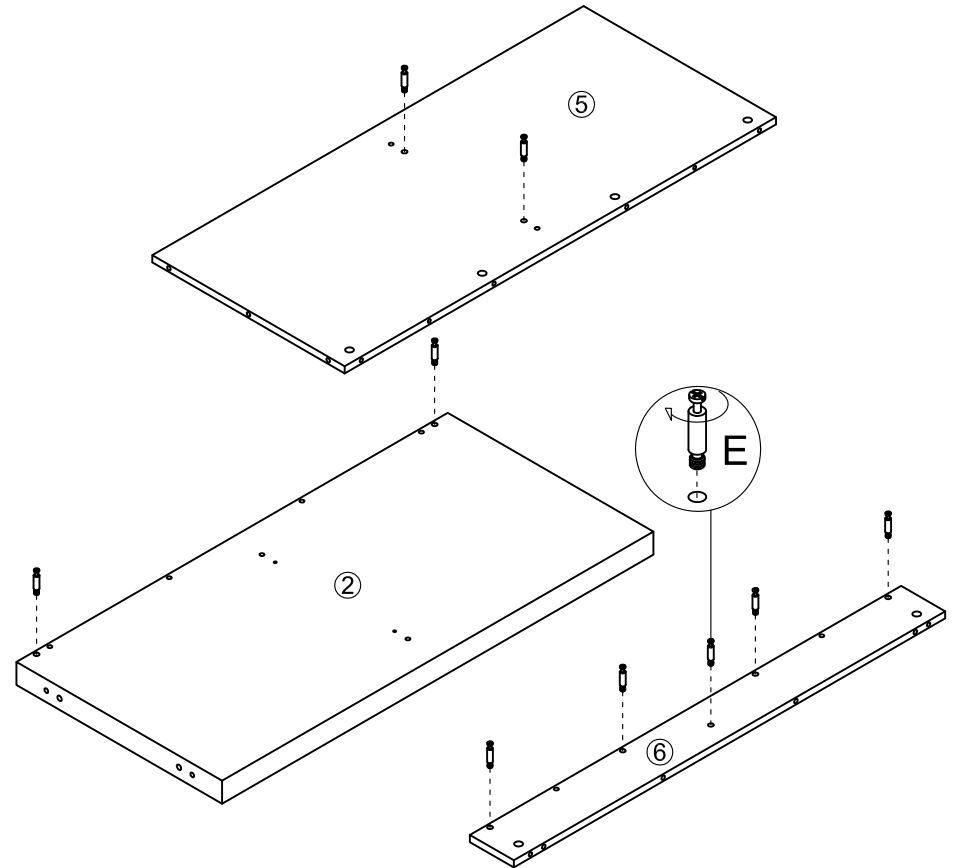
J ₁		4 PCS
K		12 PCS
M		8 PCS



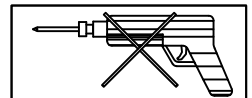
STEP 2

You will need:

E		9 PCS
---	---	-------










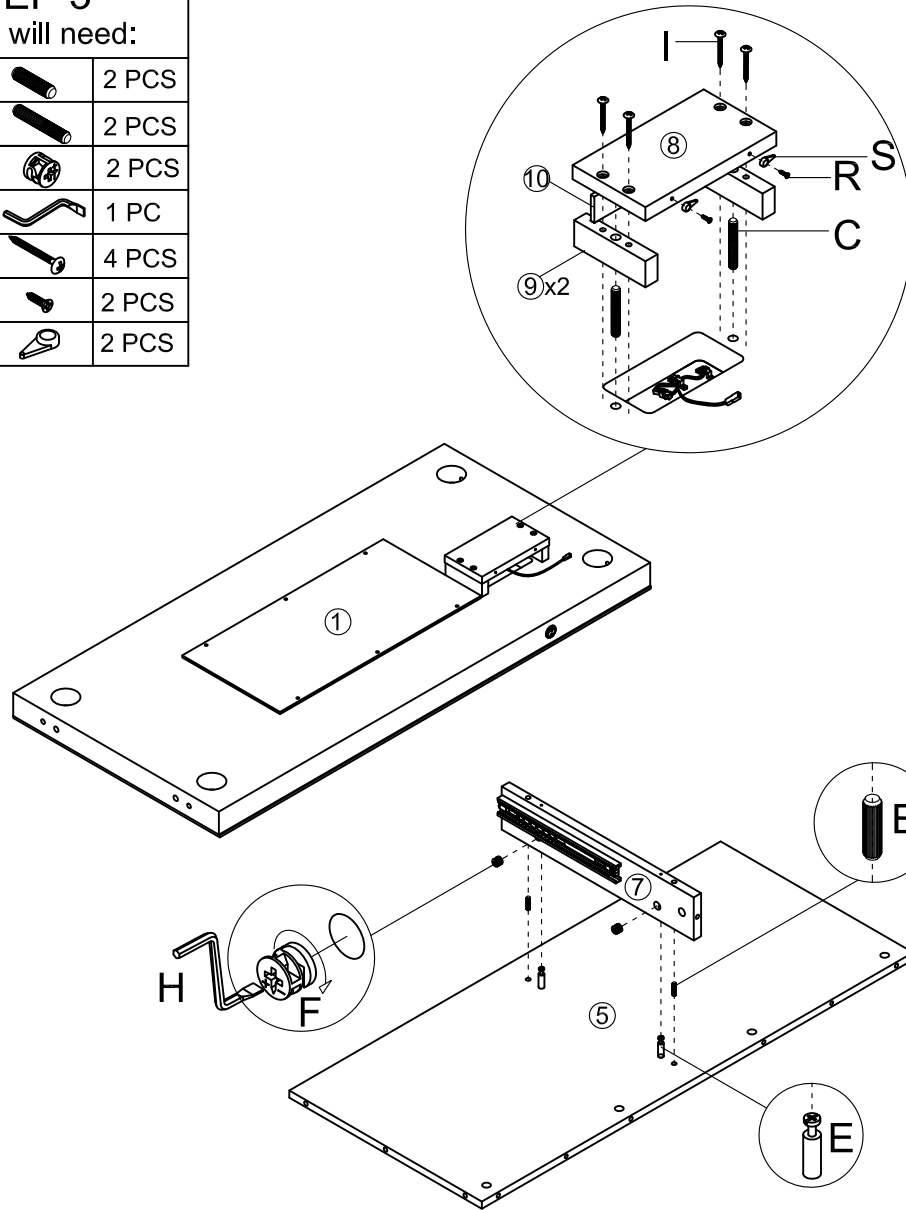
THE USE OF POWER TOOLS TO ASSEMBLE THIS PRODUCT WILL INVALIDATE ANY CLAIM AND ANY DAMAGE THIS PRODUCT MAKING IT UNSAFE



STEP 3





You will need:

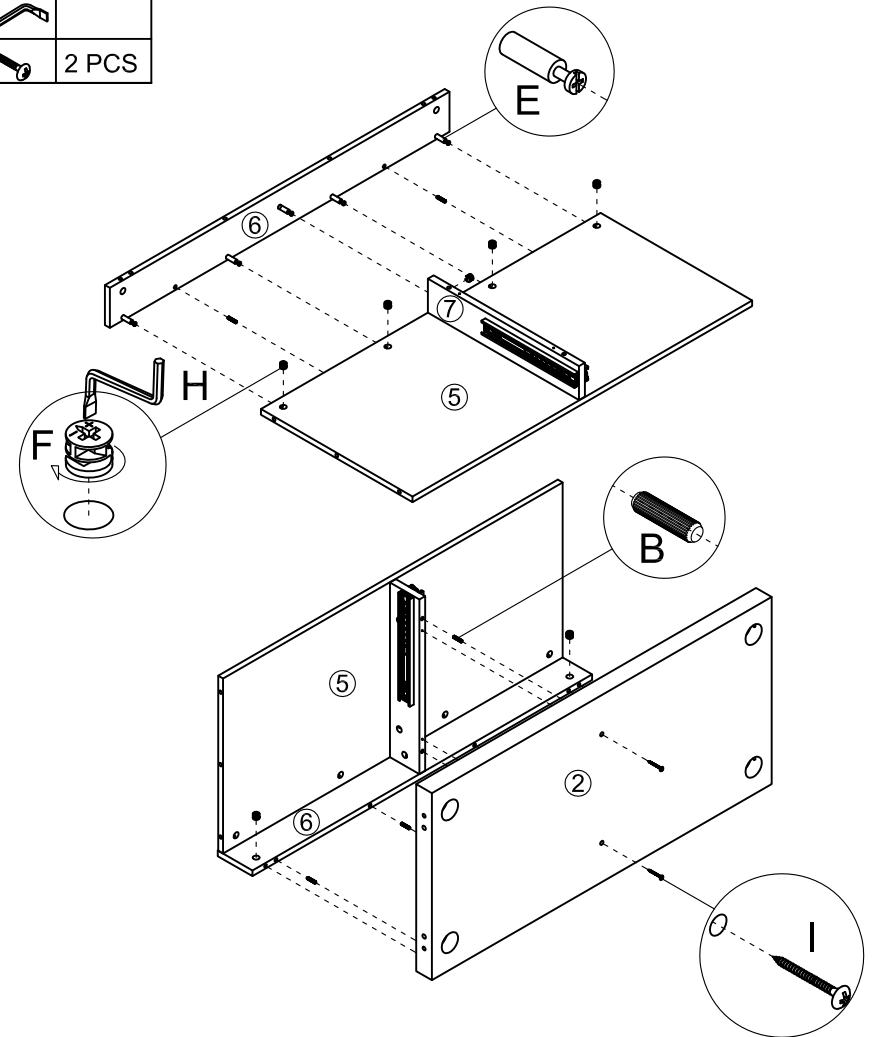
B		2 PCS
C		2 PCS
F		2 PCS
H		1 PC
I		4 PCS
R		2 PCS
S		2 PCS



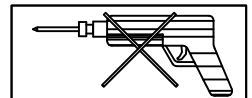
STEP 4

You will need:

B		8 PCS
F		7 PCS
H		
I		2 PCS



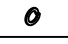




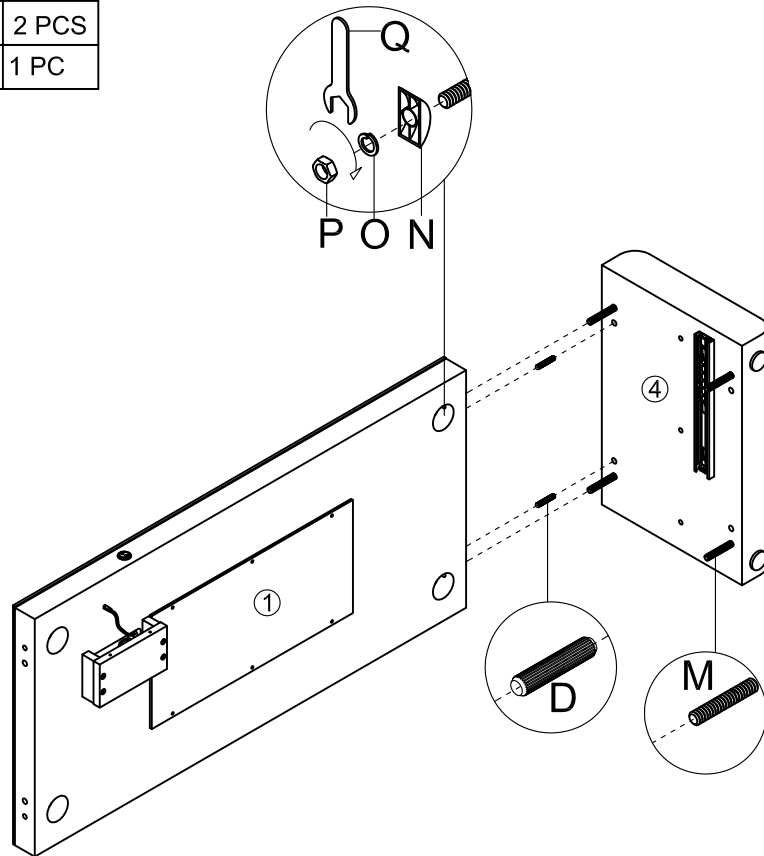
THE USE OF POWER TOOLS TO ASSEMBLE THIS PRODUCT WILL INVALIDATE ANY CLAIM AND ANY DAMAGE THIS PRODUCT MAKING IT UNSAFE



STEP 5




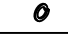


You will need:

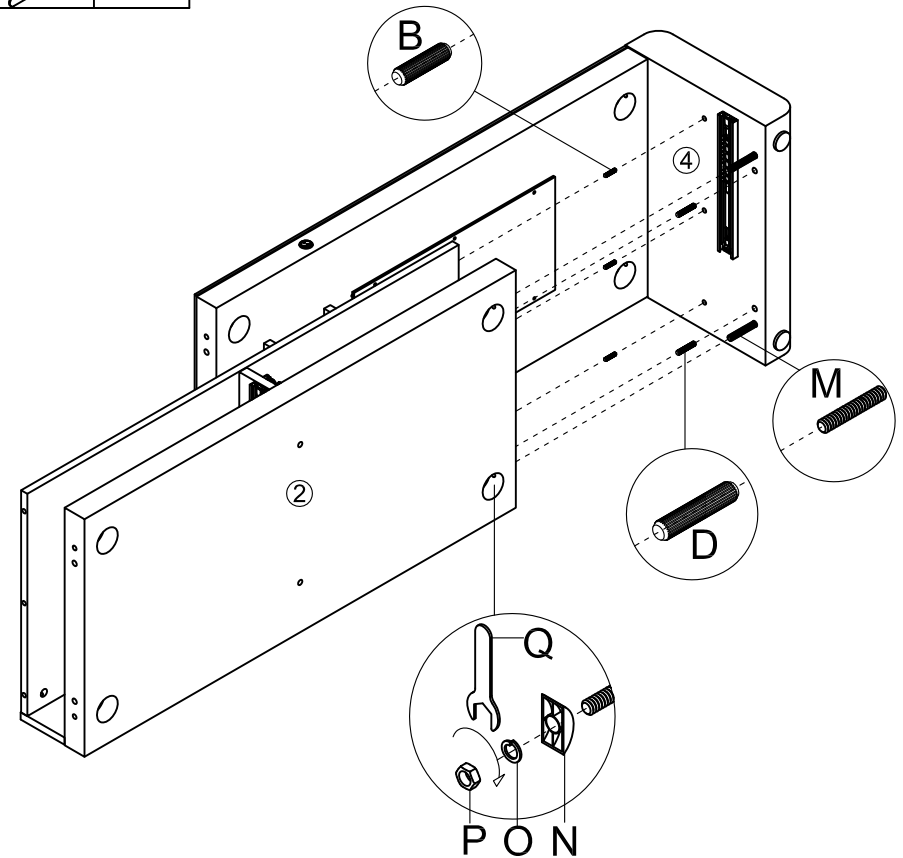
D		2 PCS
N		2 PCS
O		2 PCS
P		2 PCS
Q		1 PC



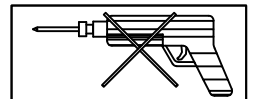
STEP 6

You will need:

B		3 PCS
D		2 PCS
N		2 PCS
O		2 PCS
P		2 PCS
Q		









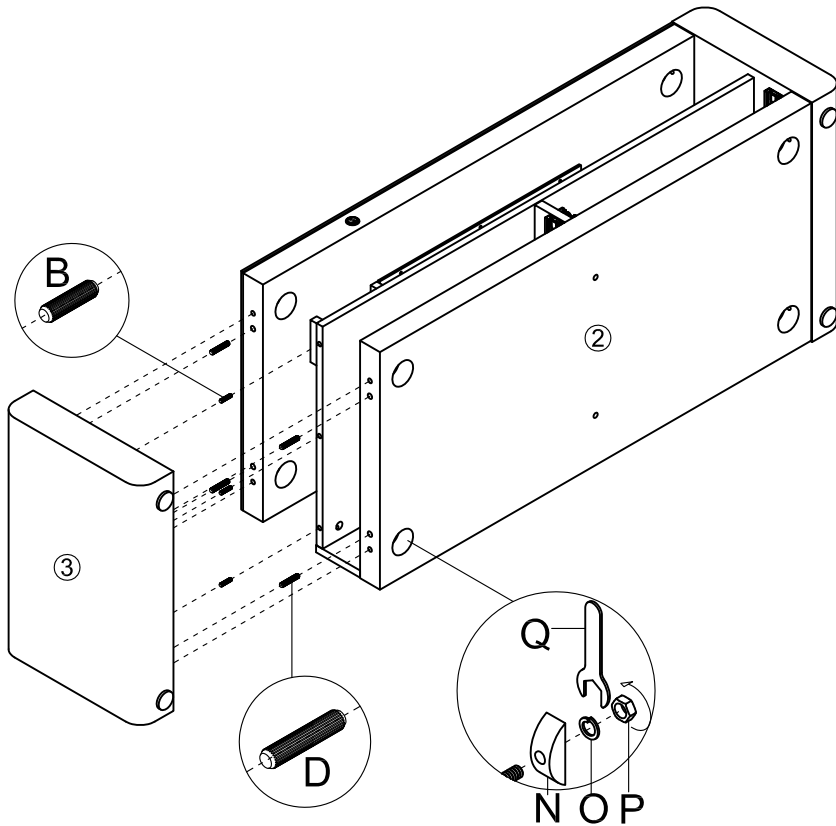
THE USE OF POWER TOOLS TO ASSEMBLE THIS PRODUCT WILL INVALIDATE ANY CLAIM AND ANY DAMAGE THIS PRODUCT MAKING IT UNSAFE



STEP 7





You will need:

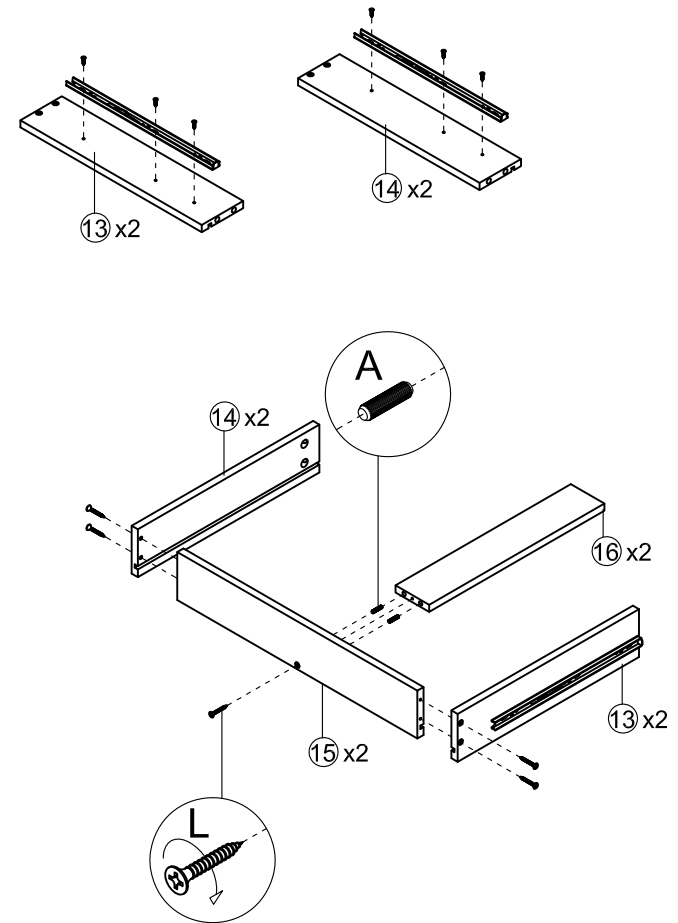
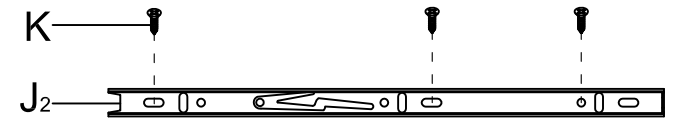
B		3 PCS
D		4 PCS
N		4 PCS
O		4 PCS
P		4 PCS
Q		



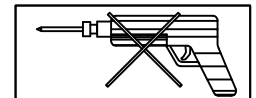
STEP 8

You will need:

A		4 PCS
J ₂		4 PCS
K		12 PCS
L		10 PCS



THE USE OF POWER TOOLS TO ASSEMBLE THIS PRODUCT WILL INVALIDATE ANY CLAIM AND ANY DAMAGE THIS PRODUCT MAKING IT UNSAFE



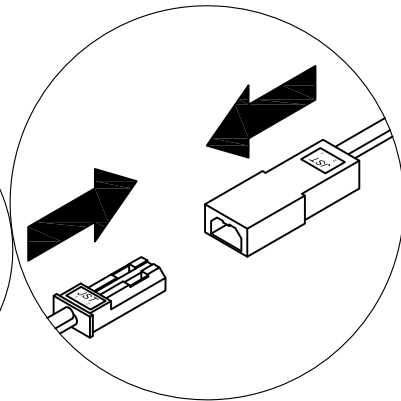
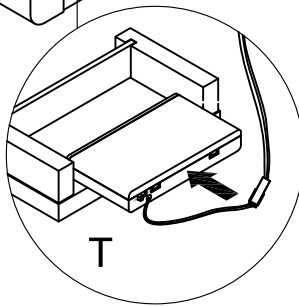
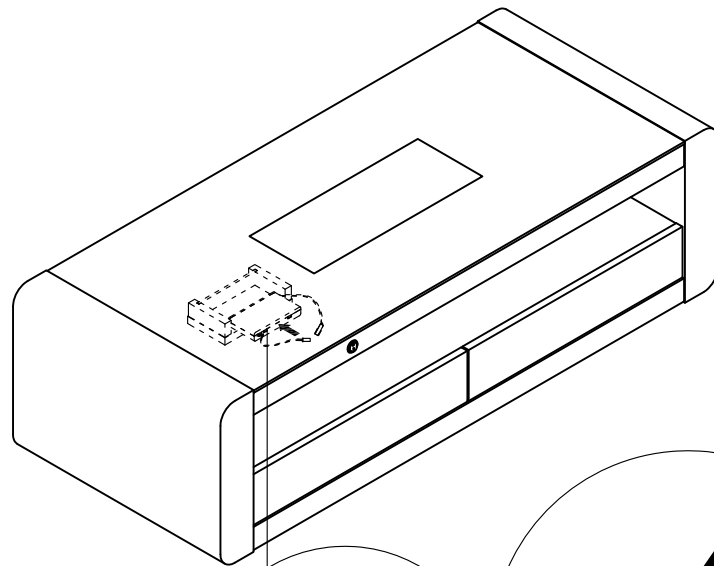
STEP 11

You will need:

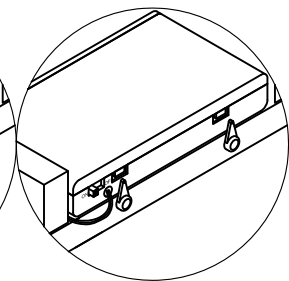
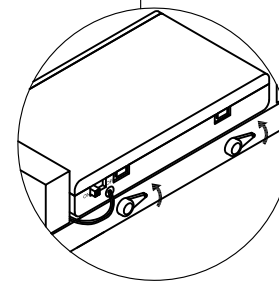
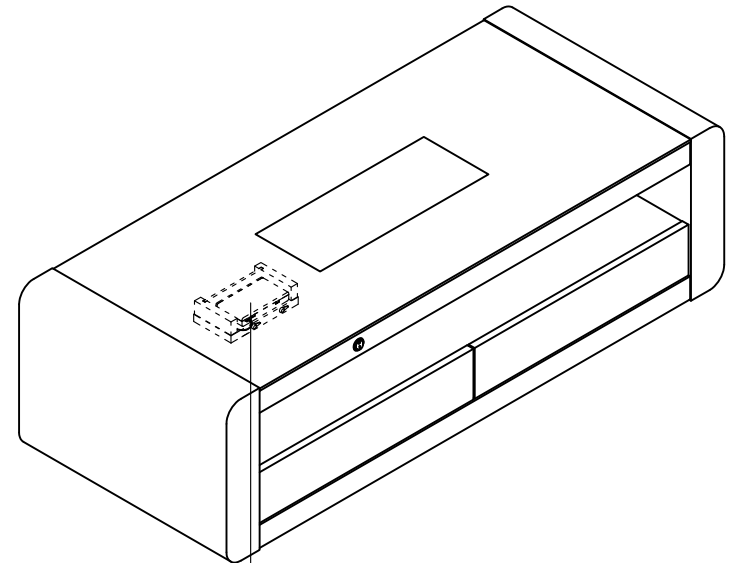
T



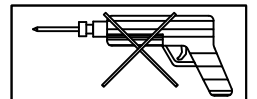
1 PC



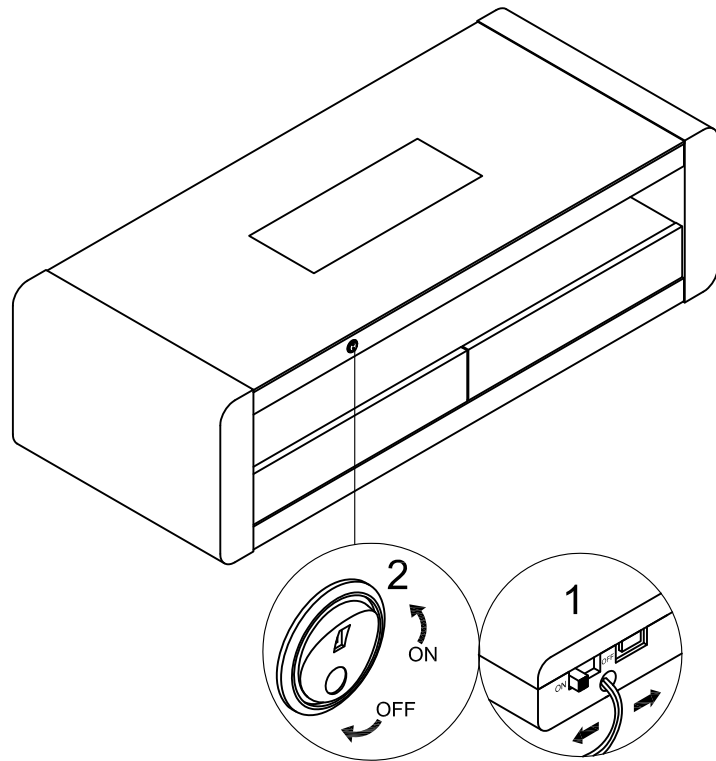
STEP 12



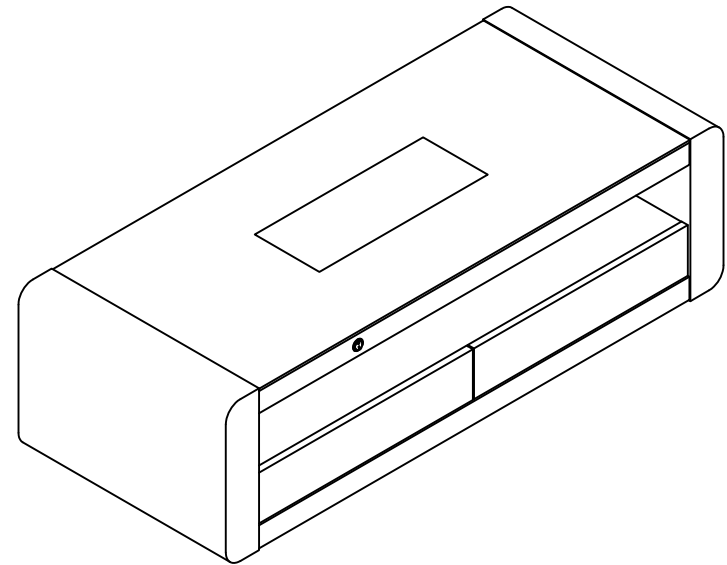
THE USE OF POWER TOOLS TO ASSEMBLE THIS PRODUCT WILL INVALIDATE ANY CLAIM AND ANY DAMAGE THIS PRODUCT MAKING IT UNSAFE



STEP 13



STEP 14



THE USE OF POWER TOOLS TO ASSEMBLE THIS PRODUCT WILL INVALIDATE ANY CLAIM AND ANY DAMAGE THIS PRODUCT MAKING IT UNSAFE

