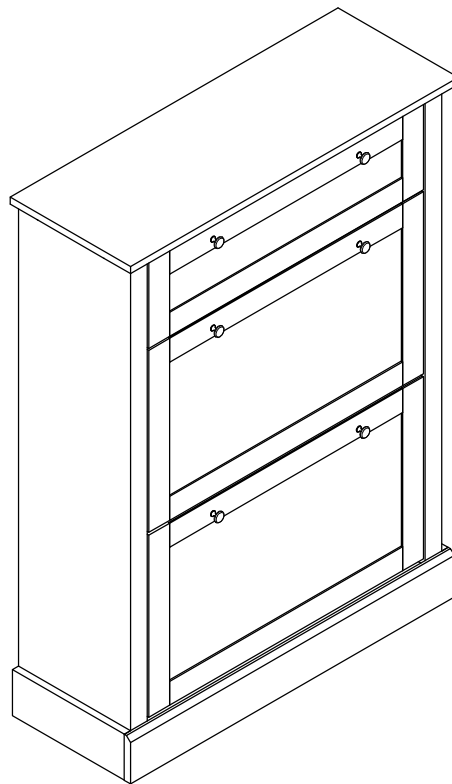



DEVON 3 TIER SHOE RACK

Assembly Instructions - Please keep for future reference








PLEASE KEEP THE ORIGINAL PACKAGING UNTIL THE ITEM IS FULLY ASSEMBLED AND IN PLACE. IN THE UNLIKELY EVENT THAT YOU NEED TO RETURN YOUR PRODUCT, IT MUST BE RETURNED IN ITS ORIGINAL PACKAGING TO AVOID FURTHER DAMAGE. FAILURE TO COMPLY TO THESE PROCEDURES, NO RETURN'S WILL BE ACCEPTED.



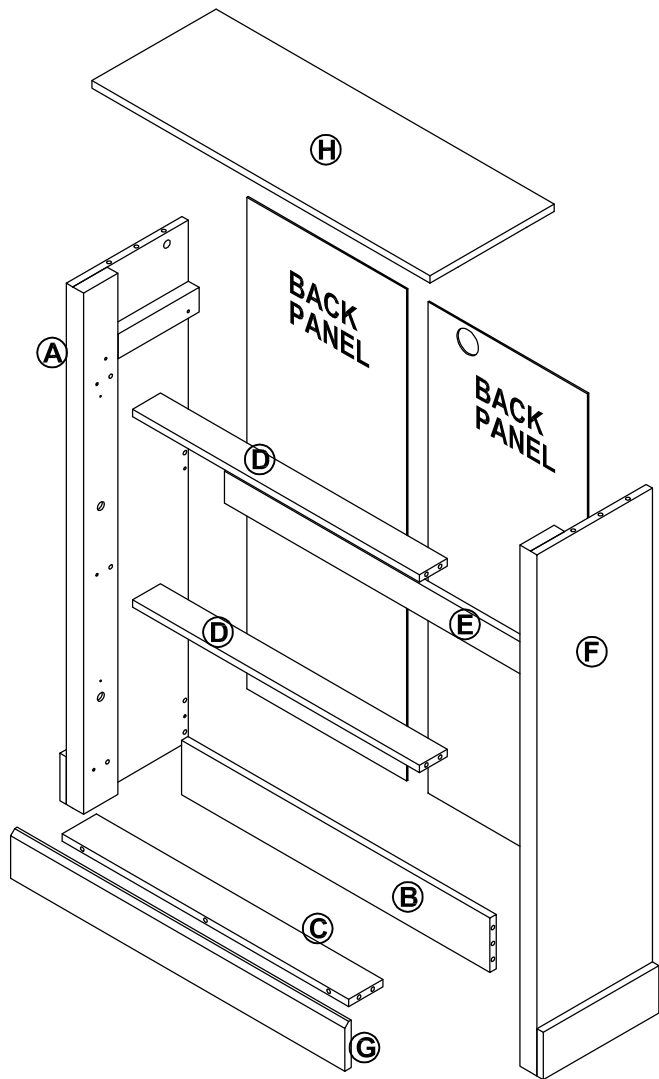
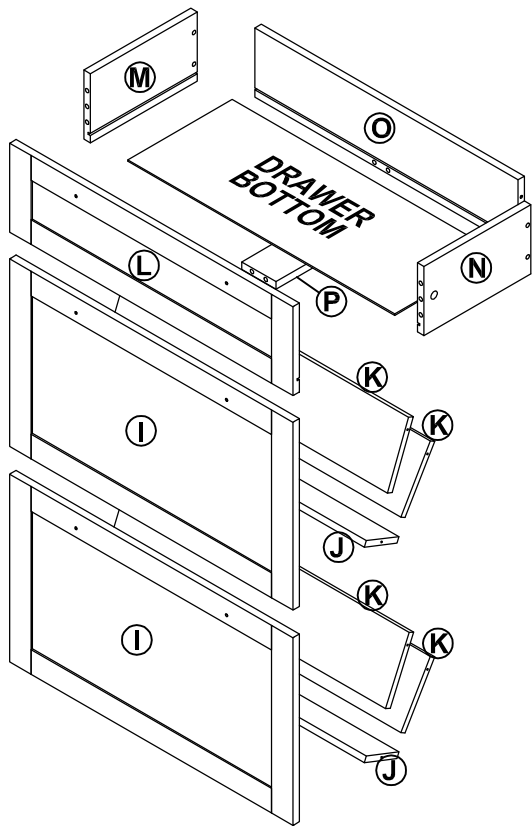
No. people	Assembly Time
	1 Hour (approx.)

" SHOULD IT BE NECESSARY TO RETURN THIS PRODUCT FOR ANY REASON,
IT MUST BE RETURNED IN ITS ORIGINAL PACKAGING"

Important: Read carefully

-  Please check you have all parts listed on your assembly sheet. In the unlikely event that any parts are missing, please contact your retailer immediately.
-  Do not use any other tools than those listed on your assembly sheet / tools provided. Use of power tools could damage your product and returns would not be accepted back in these circumstances. Use of power tools could also make your product unsafe due to overtightening.
-  Depending on the amount of use your product receives, it may be necessary to tighten the fixings from time to time.
-  Assemble your product on a soft surface to avoid scratching and also preferably in the room intended for use to avoid having to move the product unnecessarily once assembled.
-  For cleaning please use a clean damp cloth or duster. Use of abrasive or chemical cleaners will most likely scratch or damage the surface of your product. We do not accept returns for damages arising from incorrect care of products.
-  Please keep the original packing until your item is fully assembled and in place. In the unlikely event you need to return your product. It must be returned back in its original packing to avoid any damage.
-  The surface of this item is not heat resistant. Please use a mat under hot, cold or wet items to prevent marking.

Exploded View



Components - Panels

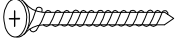
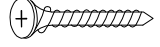
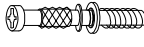



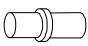
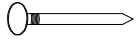
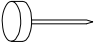

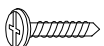





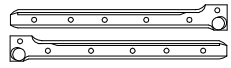
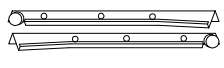
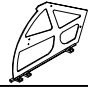
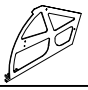




Please check that you have all the components listed below before constructing your items.

Part No	Description	Qty
A	Side Panel - L	1
B	Back Leg Panel	1
C	Leg Support Panel	1
D	Middle Support Panel	2
E	Top Support Bar Back	1
F	Side Panel - R	1
G	Front Frame Bottom	1
H	Top Panel	1
I	Door Panel	2
J	Door Support Panel	2
K	Door Shelf Panel	4
L	Drawer Front	1
M	Drawer Side - L	1
N	Drawer Side - R	1
O	Drawer Back	1
P	Drawer Support	1
	Drawer Bottom	1
	Back Panel	2

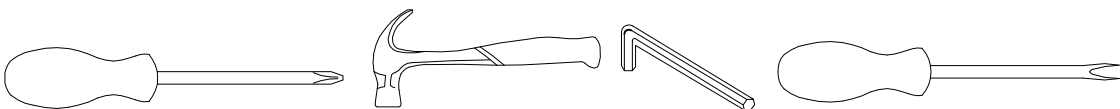
Components - Fixings

Please check that you have all the components listed below before constructing your items.

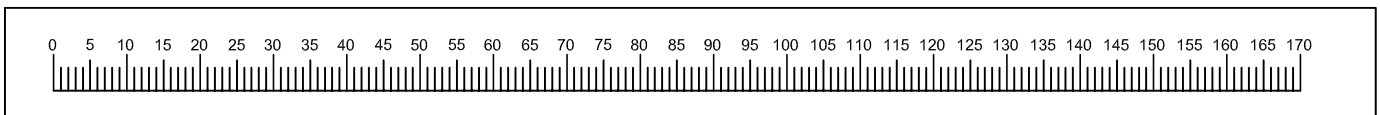
Note: The quantities below are the correct amount to complete the assembly. In some cases more fittings may be supplied than are required.

(A)	Screw M4 x 38mm	(B)	Screw M4 x 25mm	(C)	Minifix Bolt	(D)	Dowel D8 x 30mm
							
	4 units		12 units		18 units		25 units
(E)	Screw #10 x 16mm	(F)	Screw M3.5 x 12mm	(G)	Shelf Support	(H)	Nail Pin
							
	1 units		12 units		4 units		20 units
(I)	Nail Leg	(J)	Screw M3.5 x 15mm	(K)	Screw #8 x 3/4"	(L)	Flat Washer 16mm
							
	4 units		4 units		4 units		1 unit
(M)	L-Mounting bracket 76 x 15 x 31 x 1.5mm	(N)	Shoe Rack Holder Support	(O)	Shoe Rack Holder Stopper	(P)	Minifix Cam
							
	1 unit		4 units		4 units		18 units
(Q)	Drawer Slide 10"	(R)	Drawer Slide 10"	(S)	Shoe Rack Holder - L	(T)	Shoe Rack Holder - R
							
	1 set		1 set		2 units		2 units
(U)	Handle	(V)	Screw M4 x 22mm	(W)	Allen Key M4	(X)	Screw M6 x 8mm
							
	6 units		6 units		1 unit		4 units

Tools Required







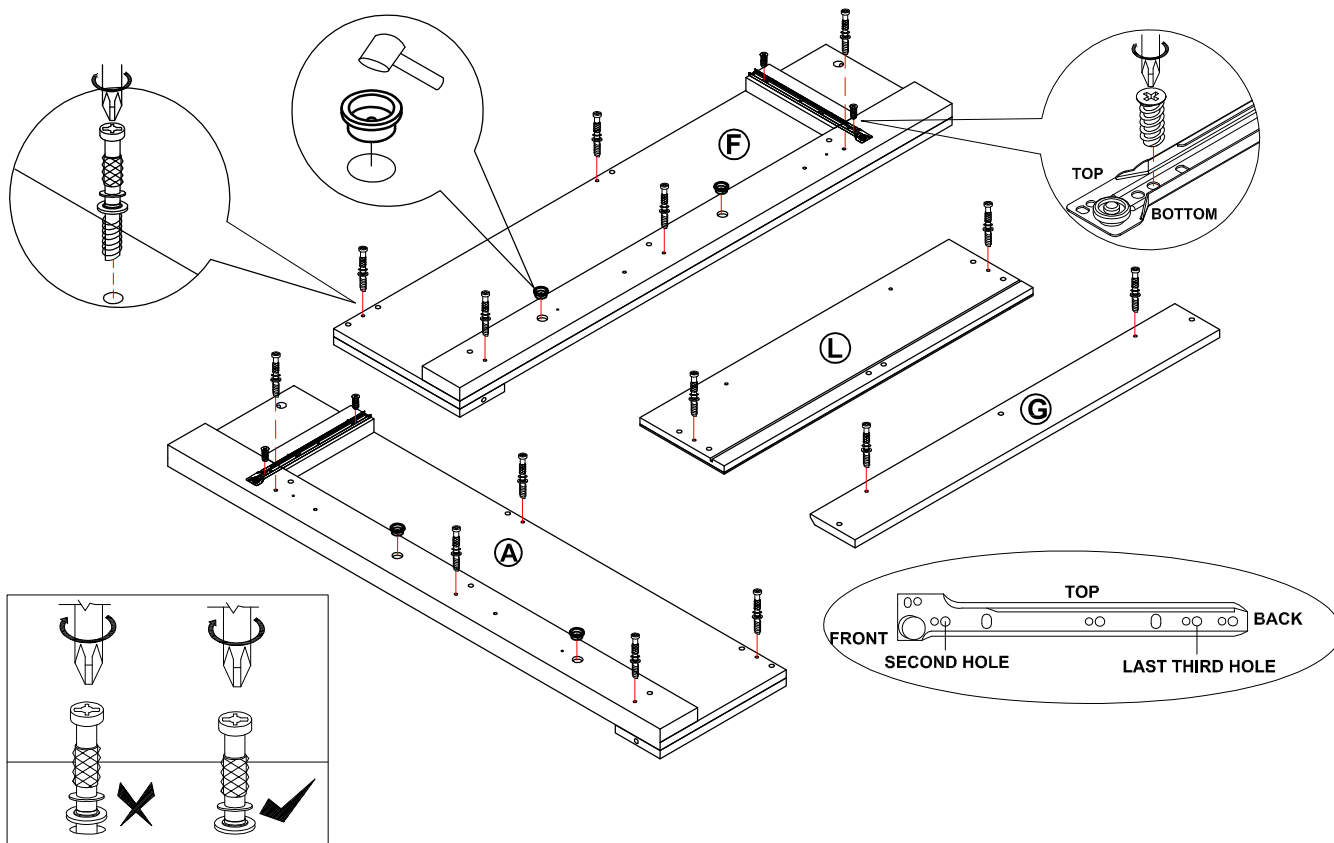
Ruler - Use this to measure your screws (mm)





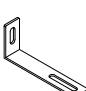

Assembly Instructions

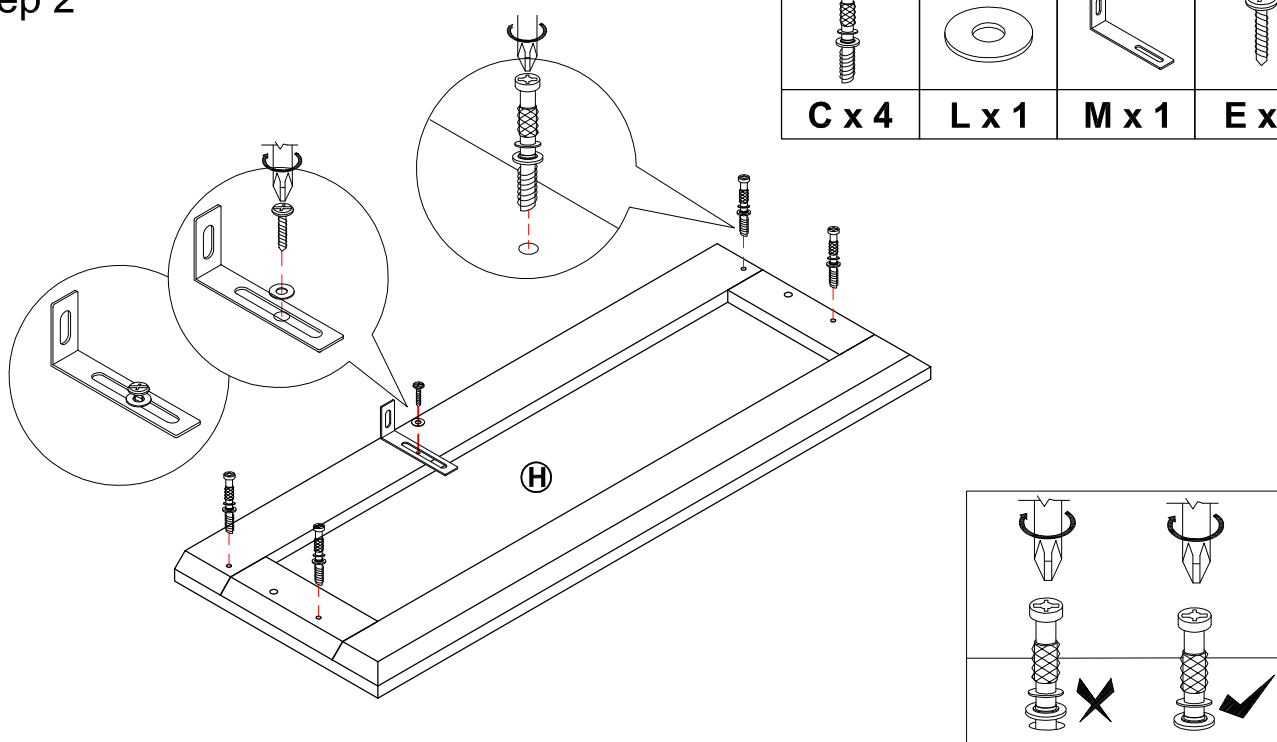
Step 1

			
C x 14	X x 4	N x 4	Q x 1

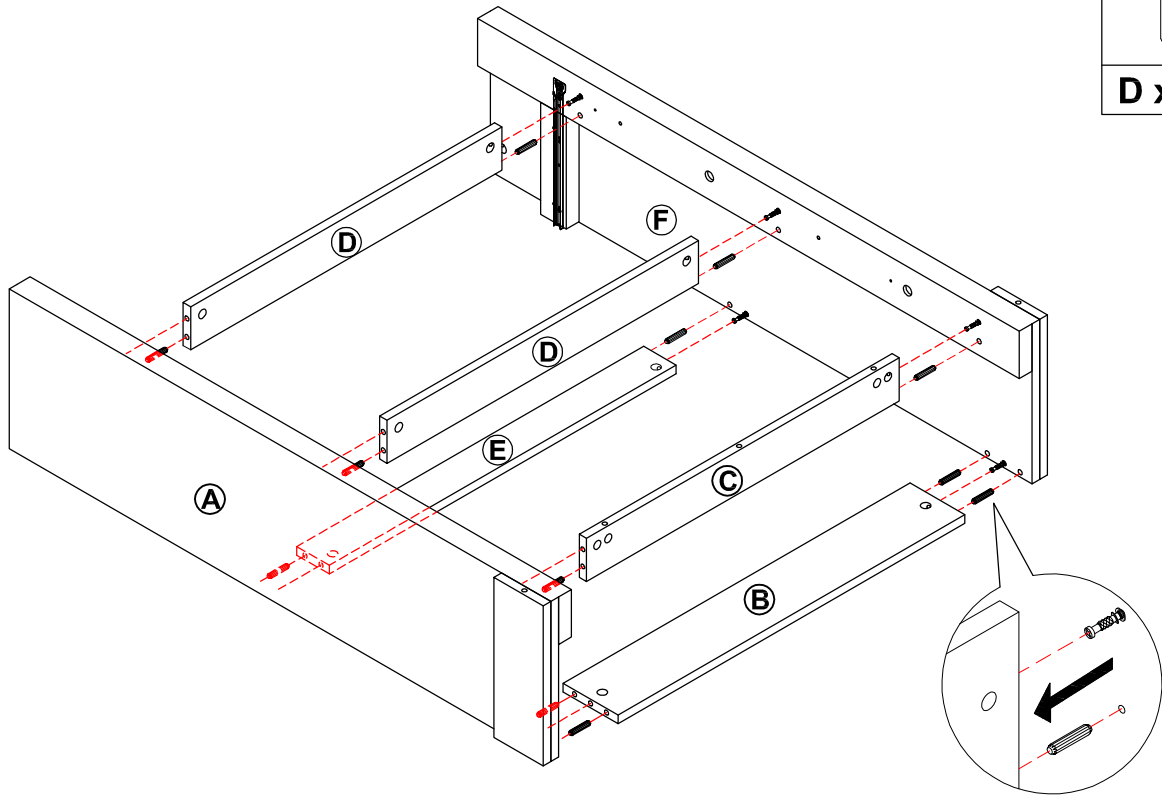


Step 2

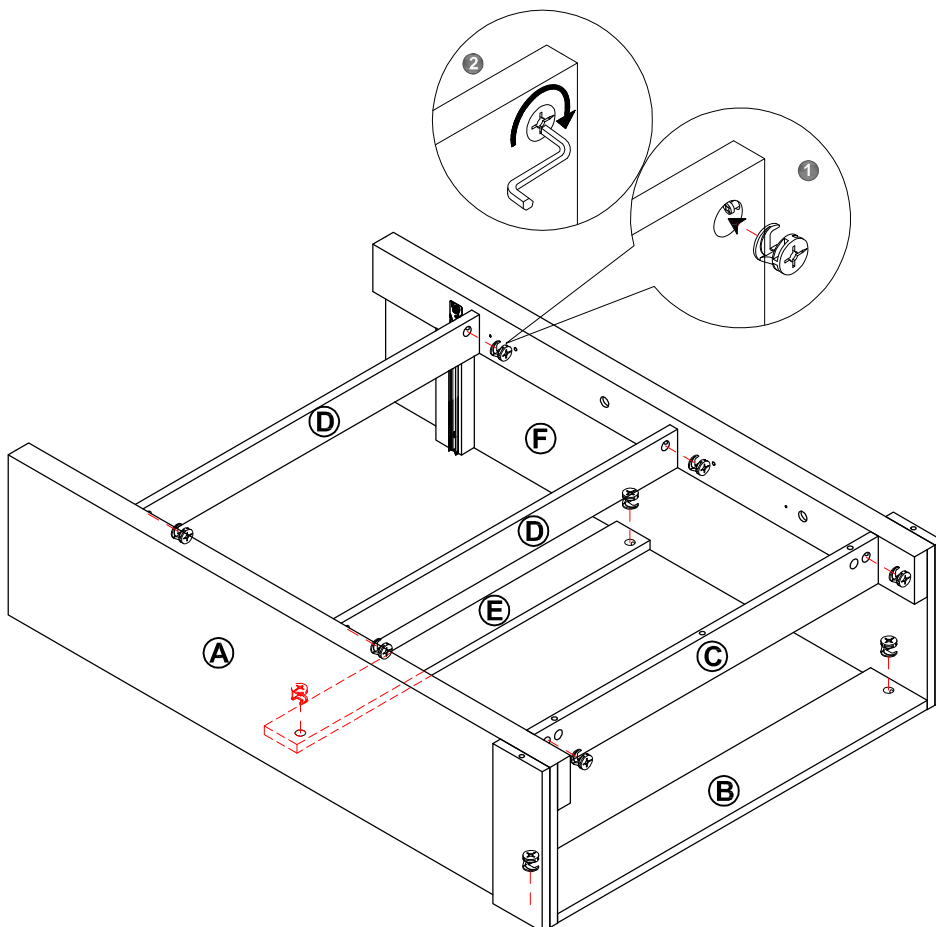
			
C x 4	L x 1	M x 1	E x 1



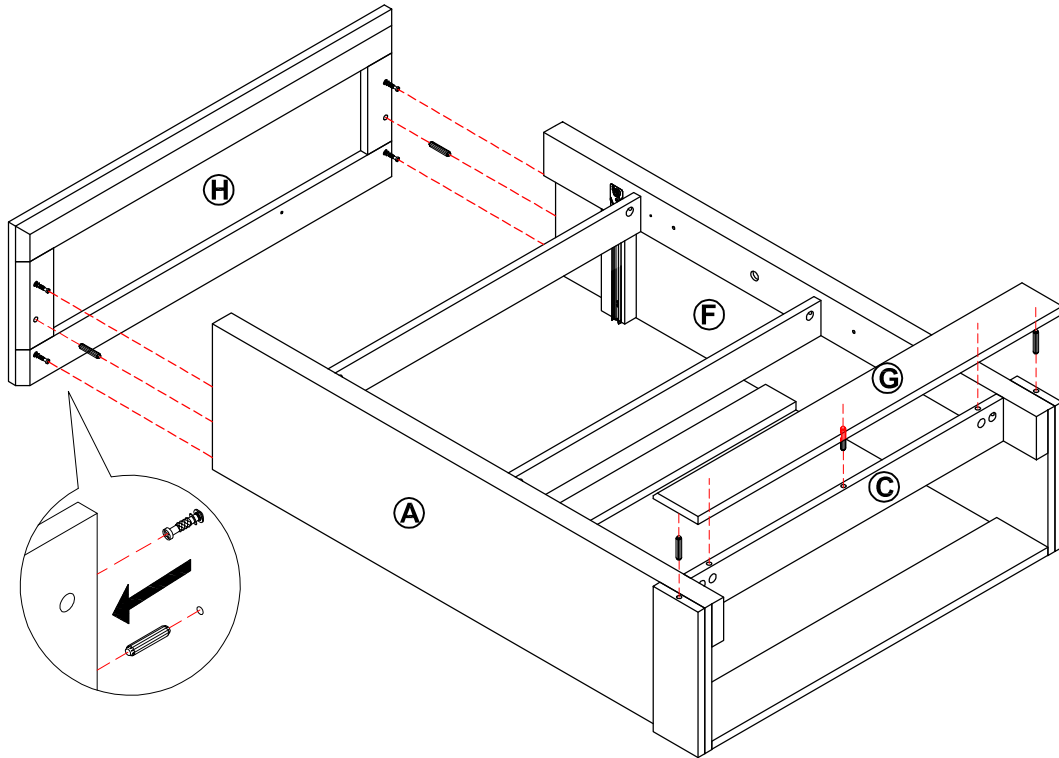
Step 3



Step 4

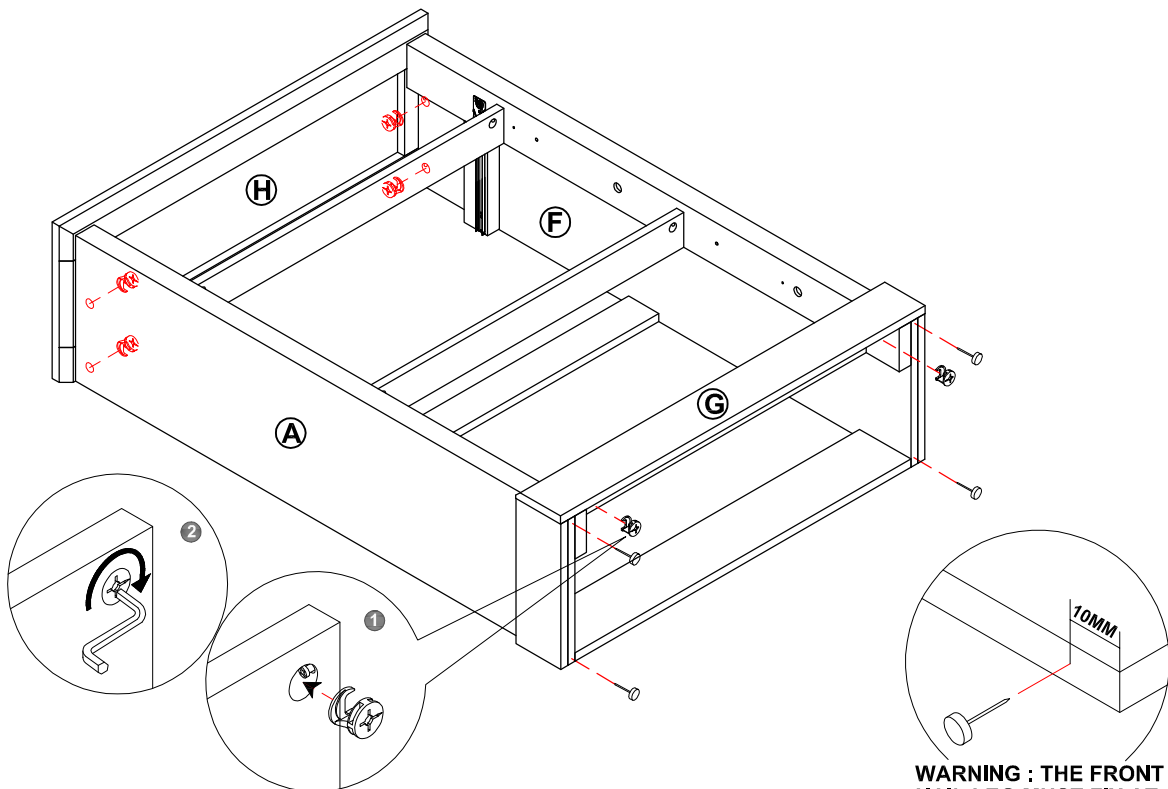


Step 5



D x 5

Step 6

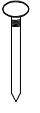


I x 4

P x 6

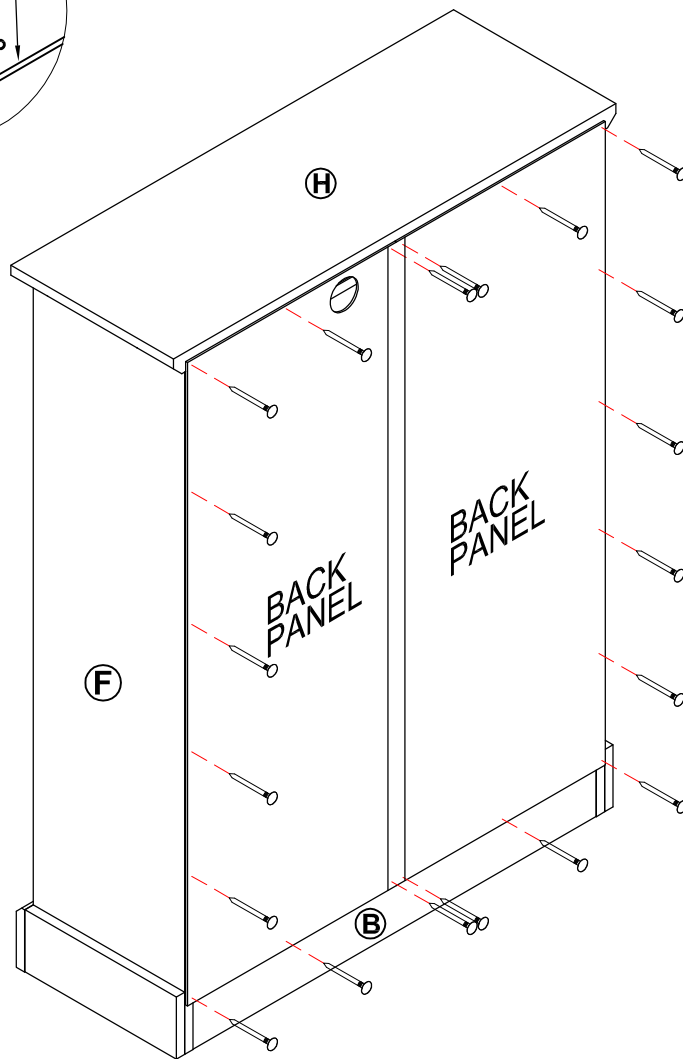
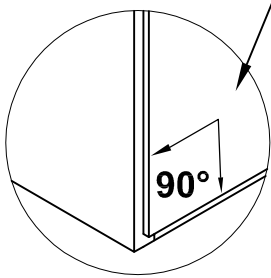
WARNING : THE FRONT NAIL LEG MUST FIX AT 10MM FROM FRONT.

Step 7

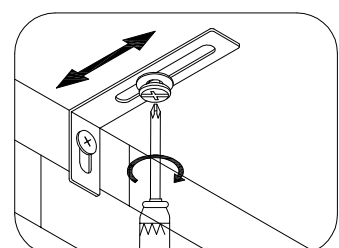
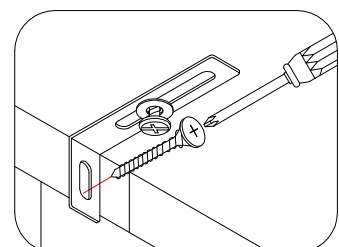
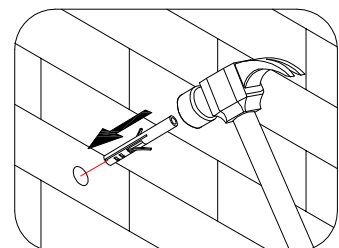
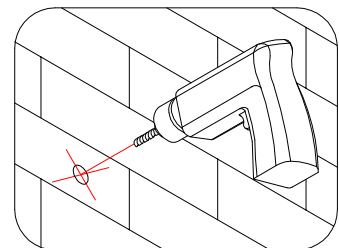
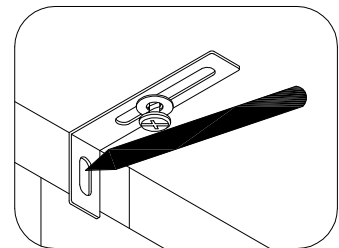
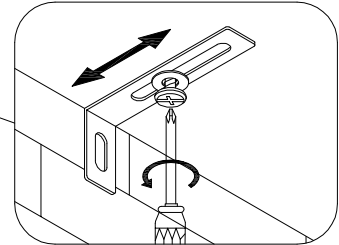
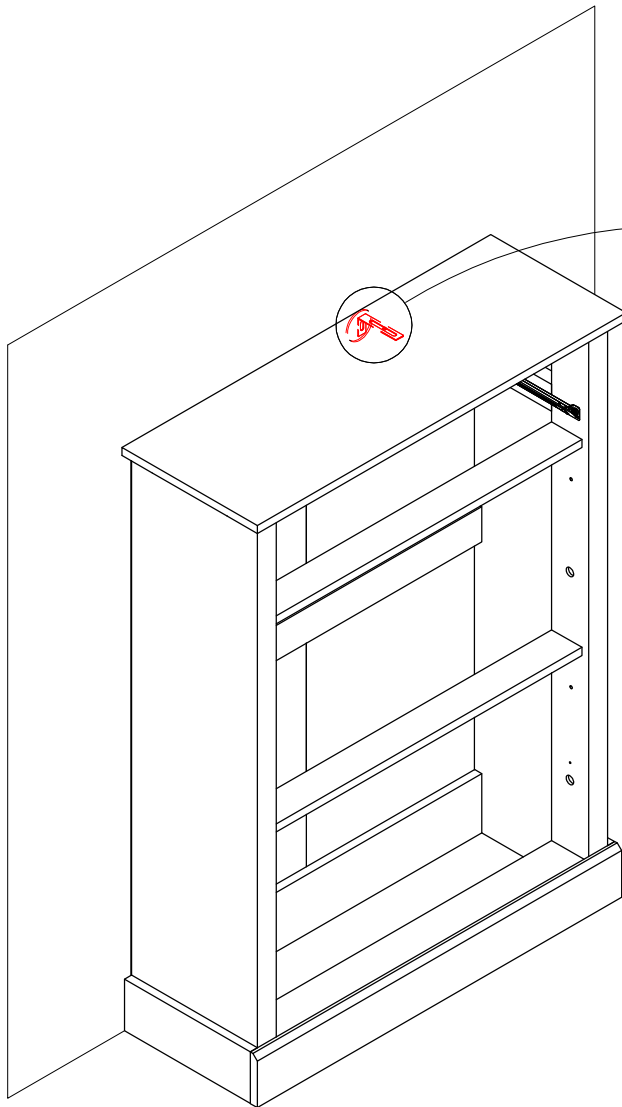


H x 20

PLEASE ENSURE THAT EACH OF THE FOUR CORNERS OF THE CABINET IS SQUARE.



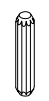
Step 8

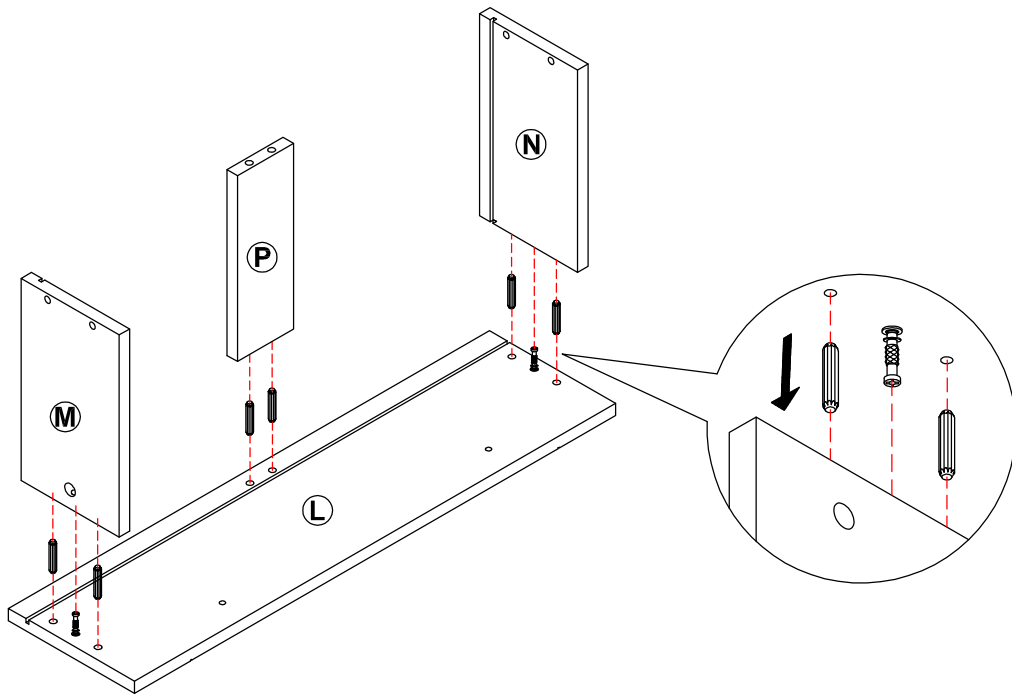


NOTE : Wall fixing are not supplied with this product as different wall materials require different types of fixing devices (such as Rawl plugs on brick work). You must use fixing devices suitable for the type of wall you intend to mount this product to. Please ensure that the head of any screw used has a diameter greater than the diameter of the mounting hole on the product and that the fixing is safe and secure before use.

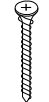
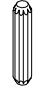

The brackets and screws which to fix the strap on to the furniture are provided only.

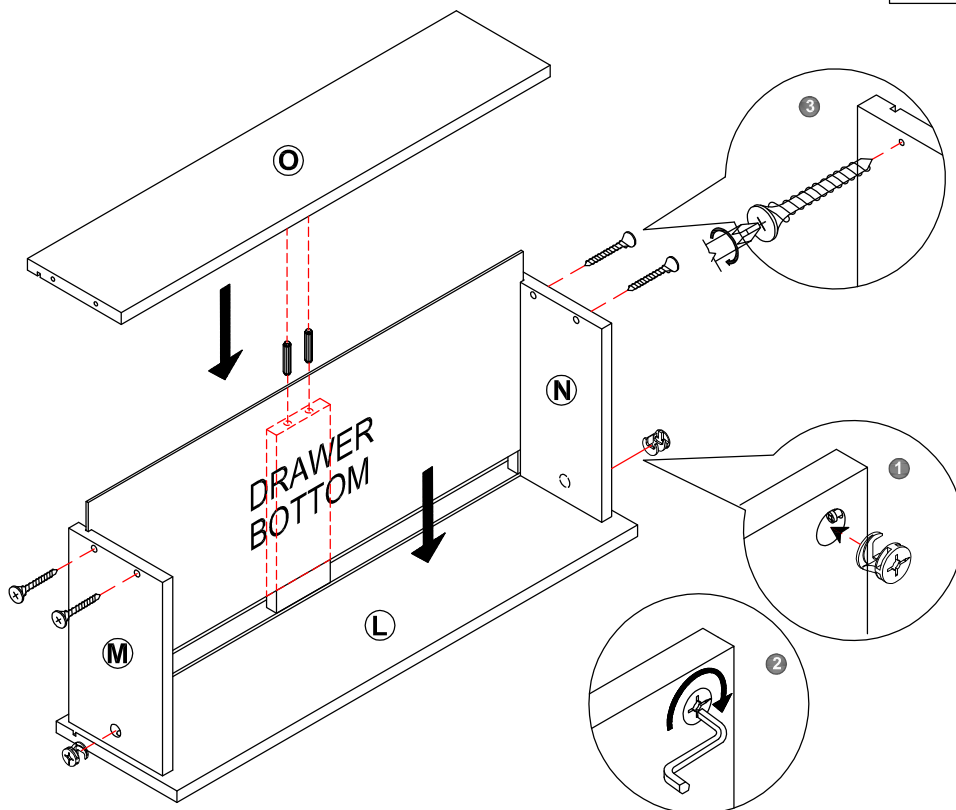
Step 9


D x 6





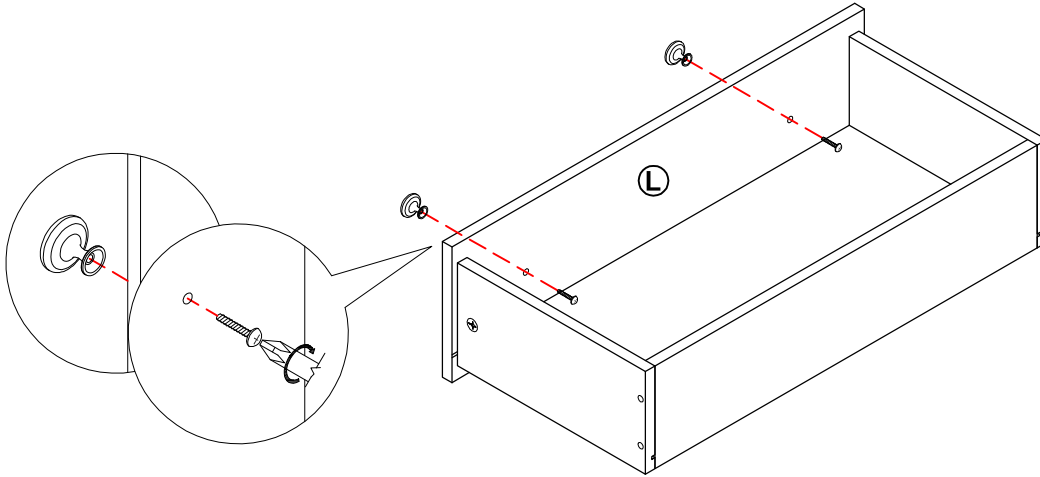
Step 10

		
A x 4	D x 2	P x 2





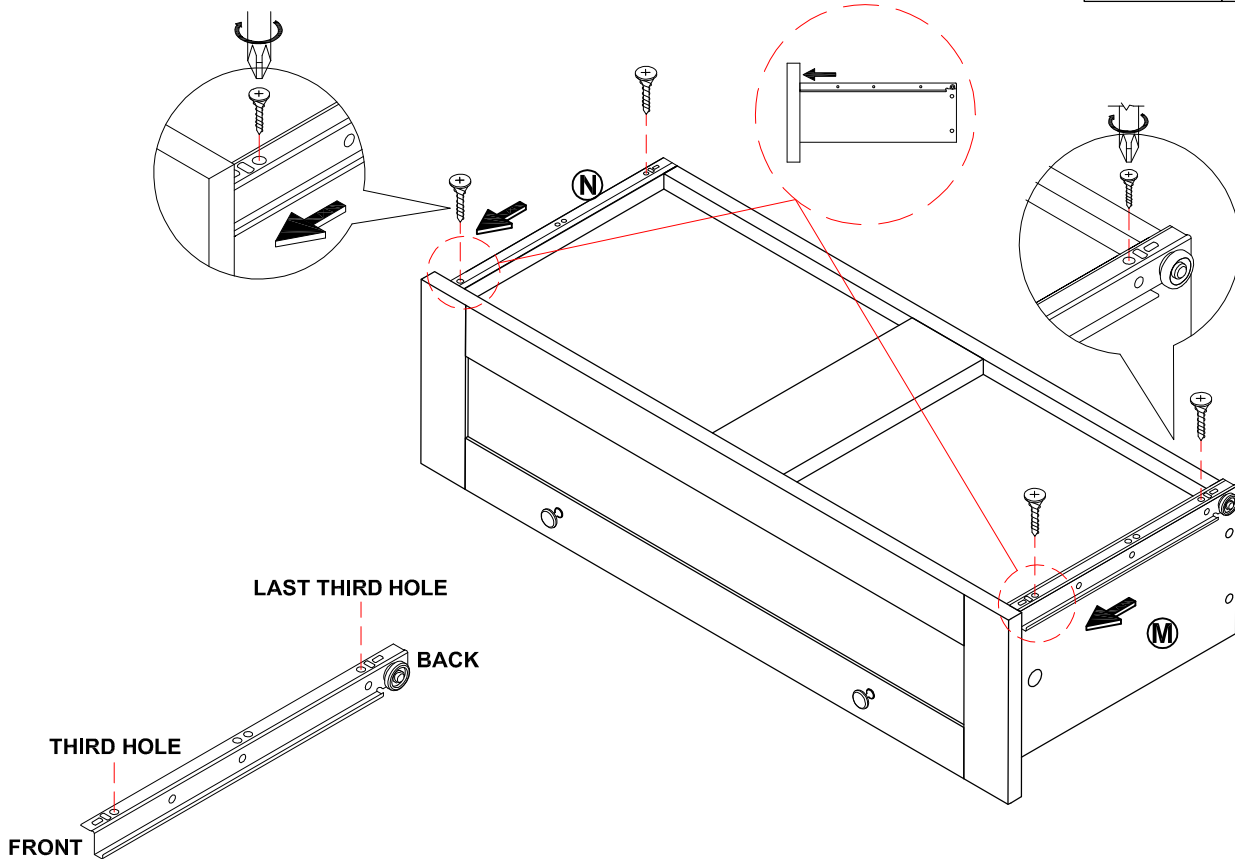
Step 11

	
U x 2	V x 2

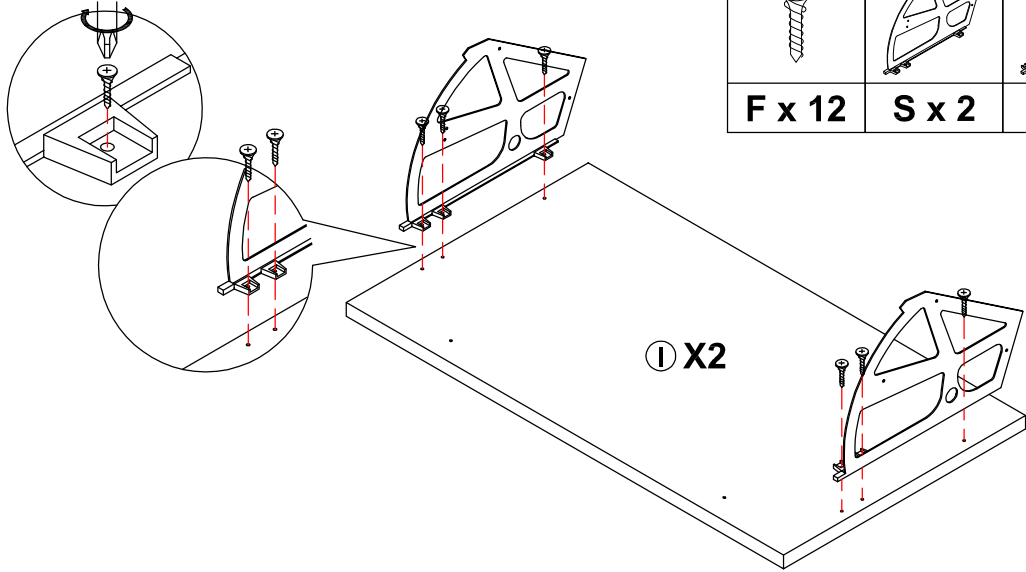





Step 12

	
J x 4	R x 1



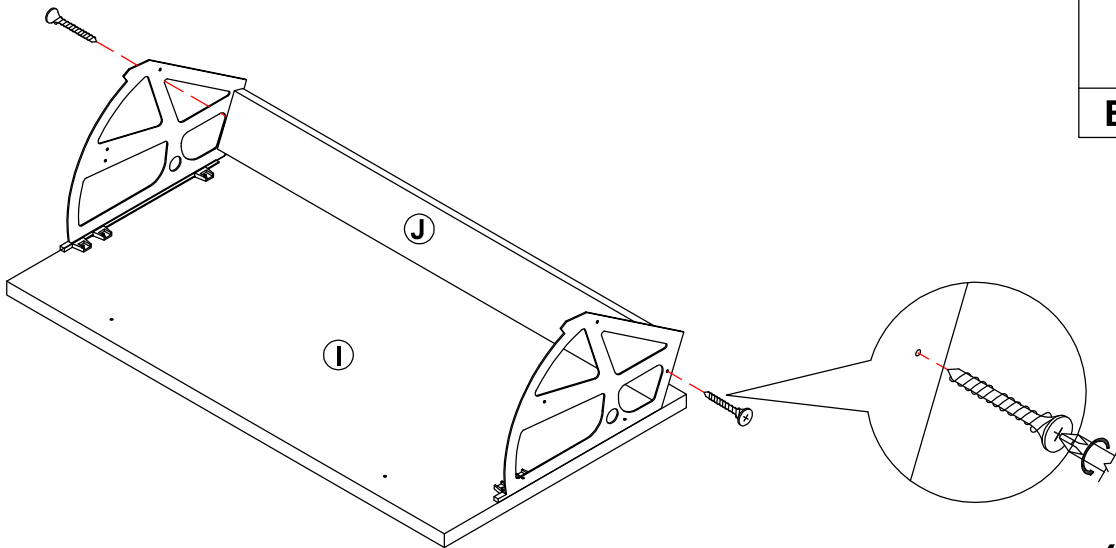
Step 13




		
F x 12	S x 2	T x 2

I X2

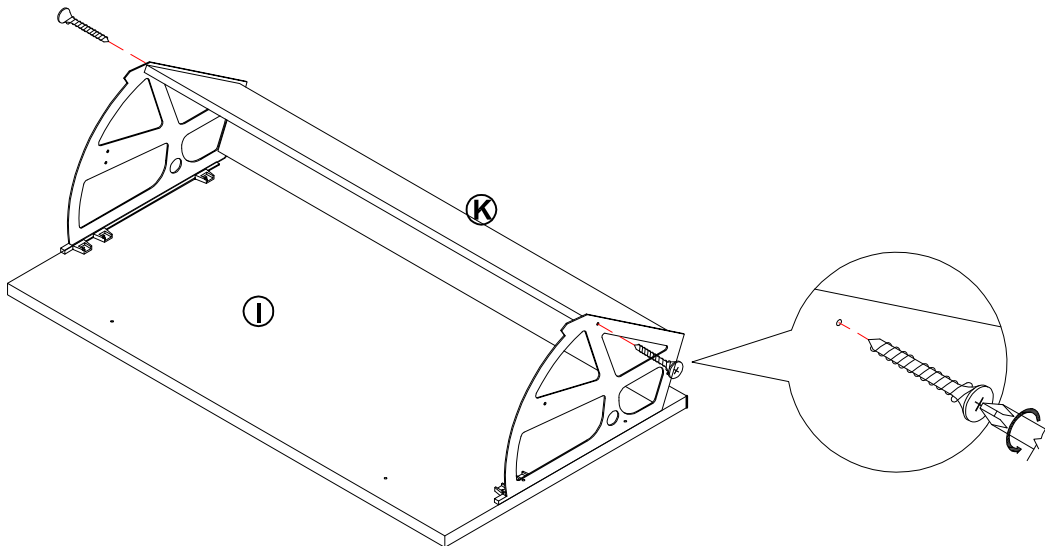
Step 14





B x 4

(X2)



Step 15

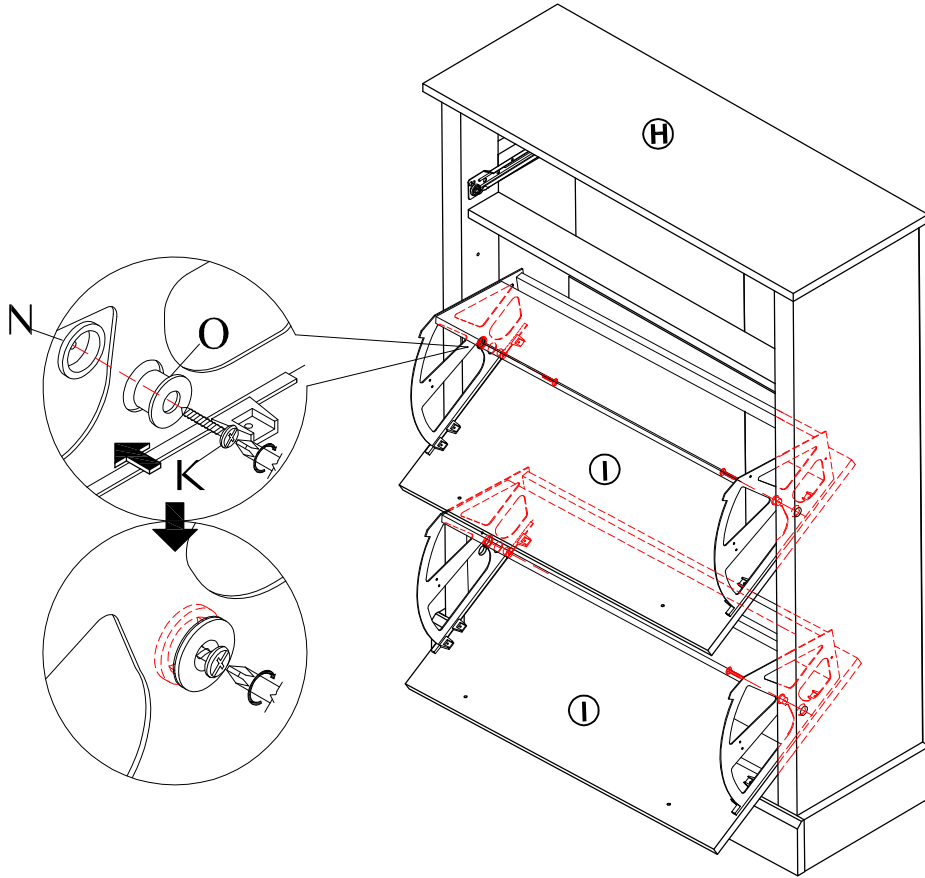



B x 4

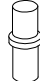


(X2)

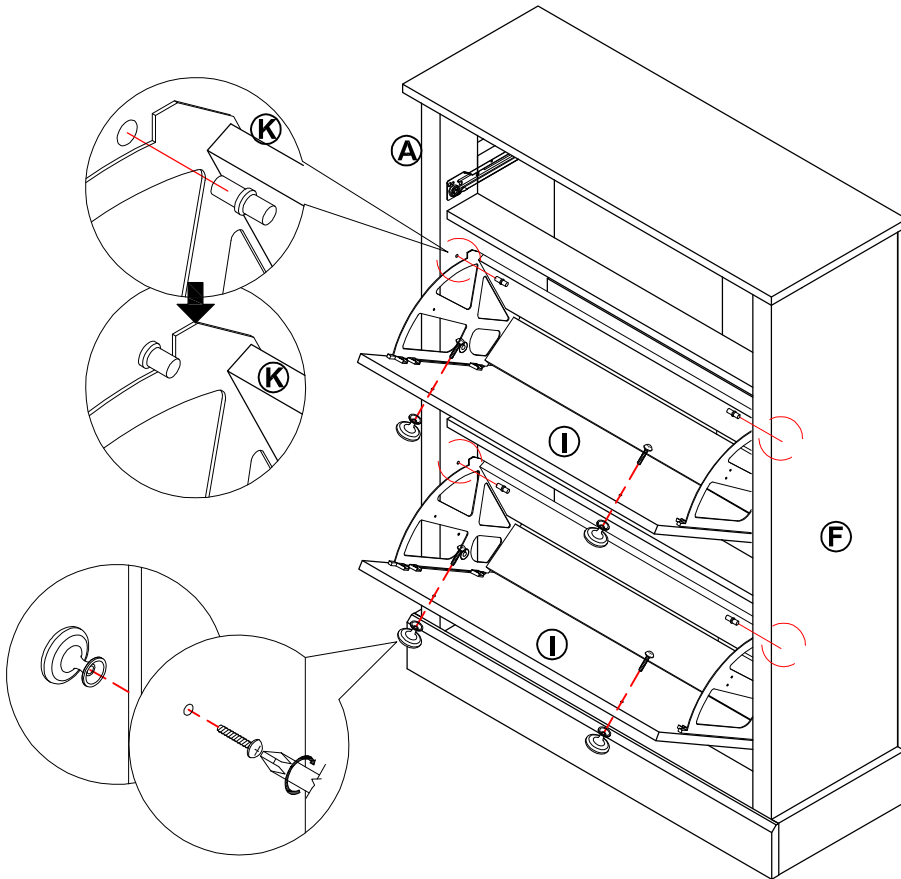
Step 16

	
K x 4	O x 4

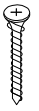


Step 17

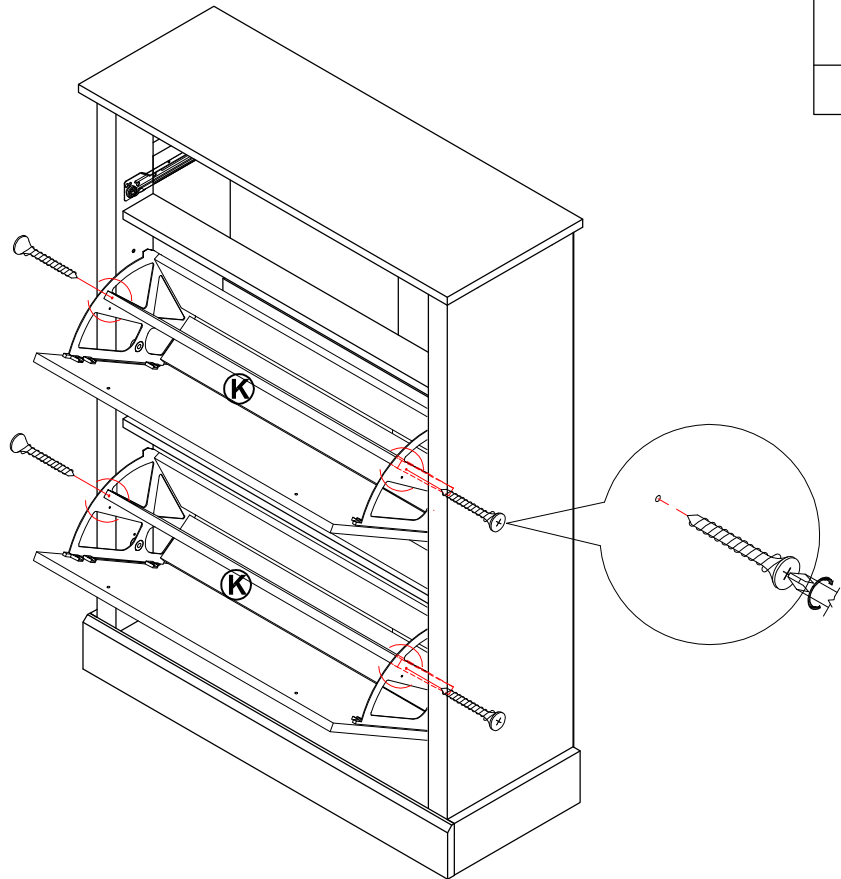
		
G x 4	U x 4	V x 4



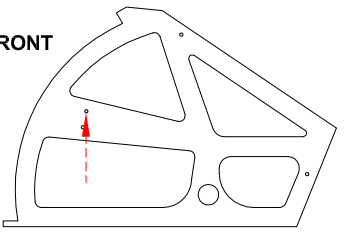
Step 18



B x 4

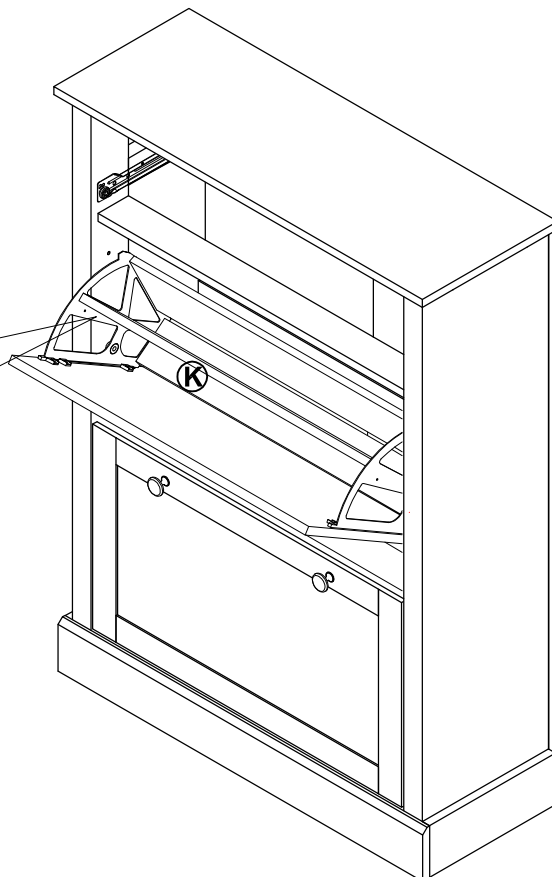
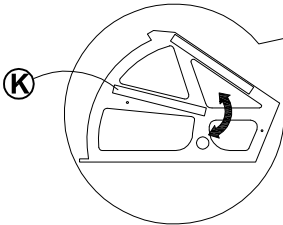


FRONT



Step 19

**THE SPACE CAN BE ADJUSTED
BY ROTATING PANEL 'K'**



Step 20

