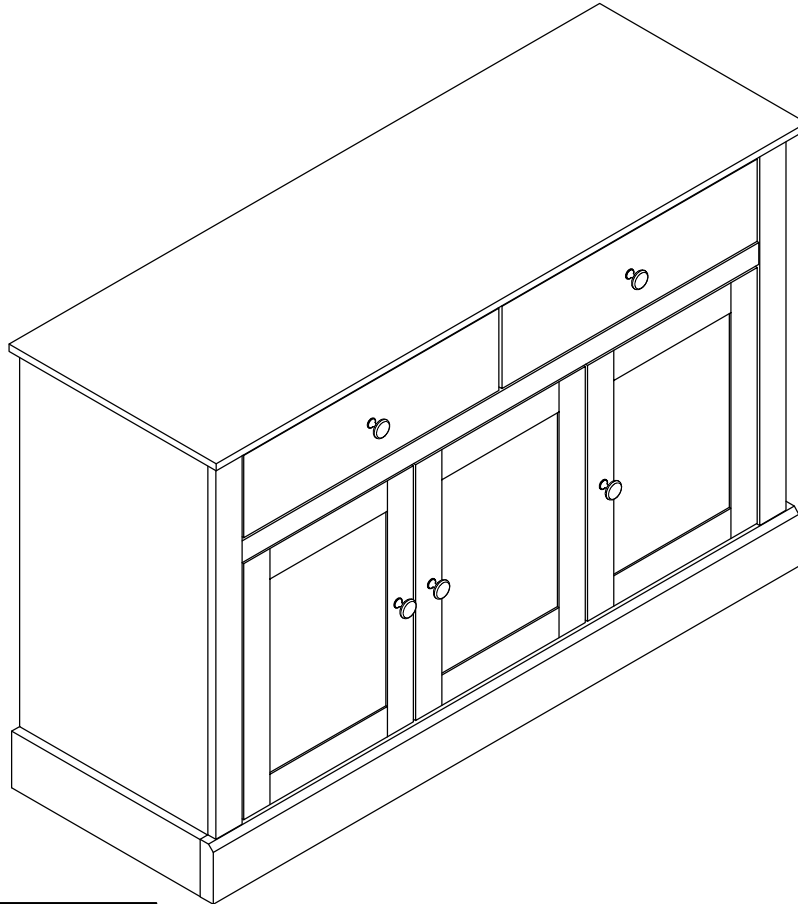



DEVON 3 DOOR 2 DRAWER SIDEBOARD

Assembly Instructions - Please keep for future reference

PLEASE KEEP THE ORIGINAL PACKAGING UNTIL THE ITEM IS FULLY ASSEMBLED AND IN PLACE. IN THE UNLIKELY EVENT THAT YOU NEED TO RETURN YOUR PRODUCT, IT MUST BE RETURNED IN ITS ORIGINAL PACKAGING TO AVOID FURTHER DAMAGE. FAILURE TO COMPLY TO THESE PROCEDURES, NO RETURN'S WILL BE ACCEPTED.



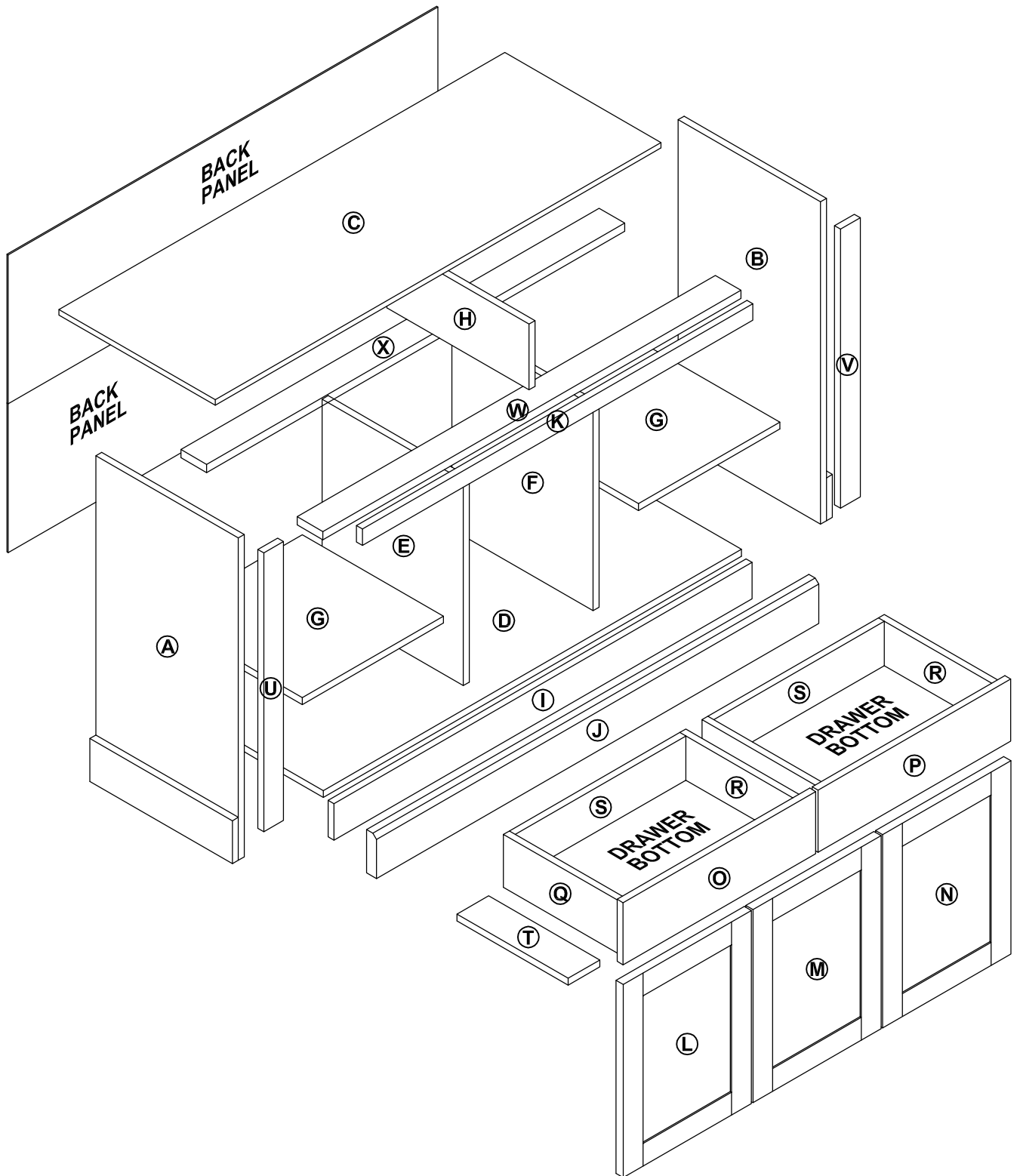
No. people	Assembly Time
	2 Hours (approx.)

" SHOULD IT BE NECESSARY TO RETURN THIS PRODUCT FOR ANY REASON,
IT MUST BE RETURNED IN ITS ORIGINAL PACKAGING"

Important: Read carefully

- ➔ Please check you have all parts listed on your assembly sheet. In the unlikely event that any parts are missing, please contact your retailer immediately.
- ➔ Do not use any other tools than those listed on your assembly sheet / tools provided. Use of power tools could damage your product and returns would not be accepted back in these circumstances. Use of power tools could also make your product unsafe due to overtightening.
- ➔ Depending on the amount of use your product receives, it may be necessary to tighten the fixings from time to time.
- ➔ Assemble your product on a soft surface to avoid scratching and also preferably in the room intended for use to avoid having to move the product unnecessarily once assembled.
- ➔ For cleaning please use a clean damp cloth or duster. Use of abrasive or chemical cleaners will most likely scratch or damage the surface of your product. We do not accept returns for damages arising from incorrect care of products.
- ➔ Please keep the original packing until your item is fully assembled and in place. In the unlikely event you need to return your product. It must be returned back in its original packing to avoid any damage.
- ➔ The surface of this item is not heat resistant. Please use a mat under hot, cold or wet items to prevent marking.

Exploded View



Components - Panels

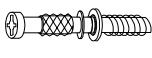

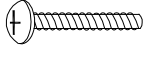
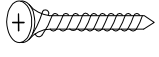
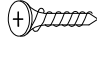

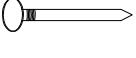


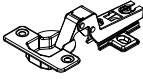
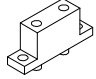


Please check that you have all the components listed below before constructing your items.

Part No	Description	Qty
A	Side Panel - L	1
B	Side Panel - R	1
C	Top Panel	1
D	Bottom Panel	1
E	Vertical Panel - L	1
F	Vertical Panel - R	1
G	Adjustable Shelf	2
H	Center Panel	1
I	Bottom Support	1
J	Front Profile	1
K	Center Profile	1
L	Door - L	1
M	Door - C	1
N	Door - R	1
O	Drawer Front - L	1
P	Drawer Front - R	1
Q	Drawer Side - L	2
R	Drawer Side - R	2
S	Drawer Back	2
T	Drawer Support	2
U	Side Profile - L	1
V	Side Profile - R	1
W	Front Support Bar	1
X	Back Support Bar	1
	Drawer Bottom	2
	Back Panel	2

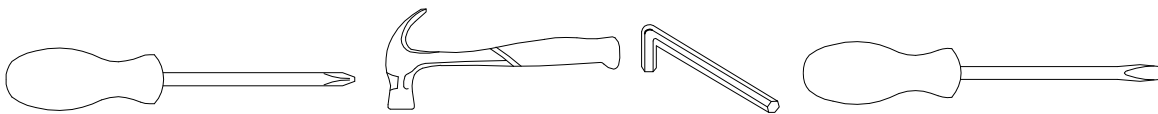
Components - Fixings

Please check that you have all the components listed below before constructing your items.

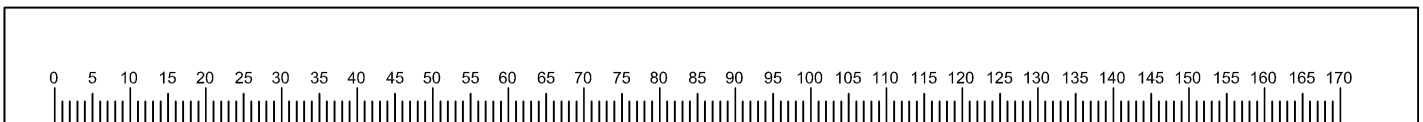
Note: The quantities below are the correct amount to complete the assembly. In some cases more fittings may be supplied than are required.

(A)	Unitar M6.3 x 40mm  10 units	(B)	Screw M4 x 38mm  8 units	(C)	Minifix Bolt  27 units	(D)	Dowel D8 x 30mm  43 units
(E)	Screw M4 x 25mm  3 units	(F)	Screw M3.5 x 25mm  1 unit	(G)	Screw M4 x 22mm  2 units	(H)	Screw M4 x 20mm  16 units
(I)	Screw #10 x 16mm  24 units	(J)	Screw M3.5 x 15mm  20 units	(K)	Screw M6 x 8mm  4 units	(L)	Shelf Support  8 units
(M)	Nail Pin  22 units	(N)	Nail Leg  8 units	(O)	Minifix Cam  27 units	(P)	Handle  5 units
(Q)	L-Bracket 2mm  4 units	(R)	Hinges 7/8"  4 units	(S)	Hinges 1/4"  2 units	(T)	PVC Block  8 units
(U)	Drawer Slide 12"  2 sets	(V)	Drawer Slide 12"  2 sets	(W)	Safety Strap + Washer  1 unit	(X)	Allen Key M4  1 unit

Tools Required

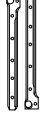




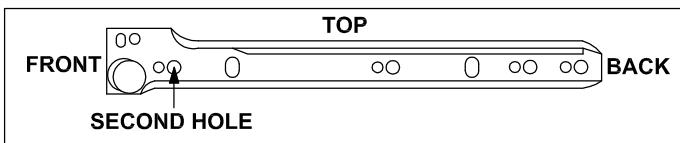
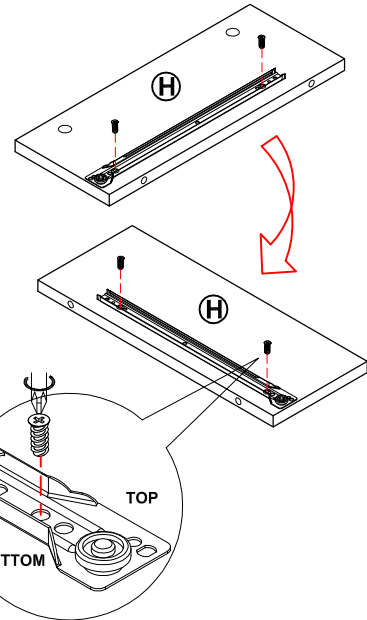
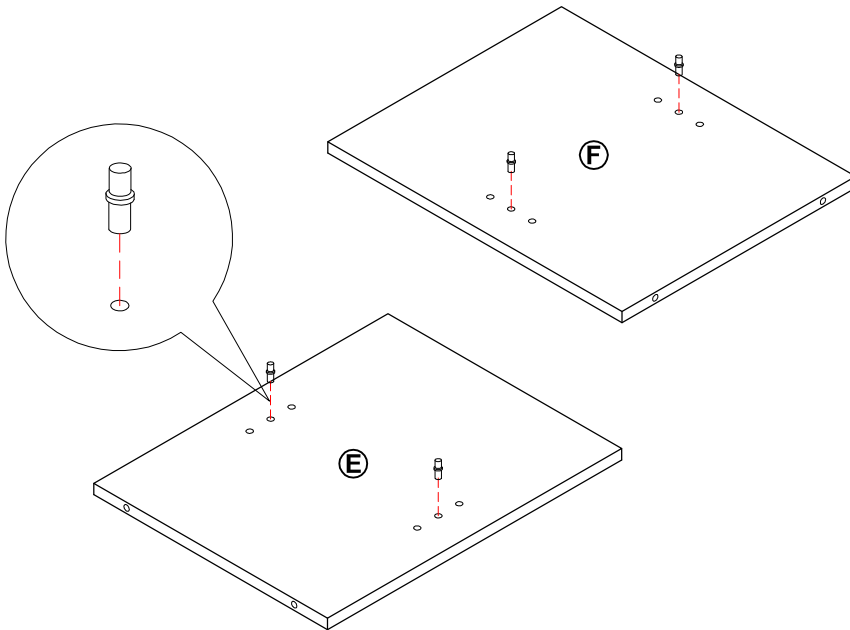
Ruler - Use this to measure your screws (mm)



Assembly Instructions

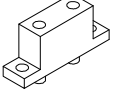

Step 1

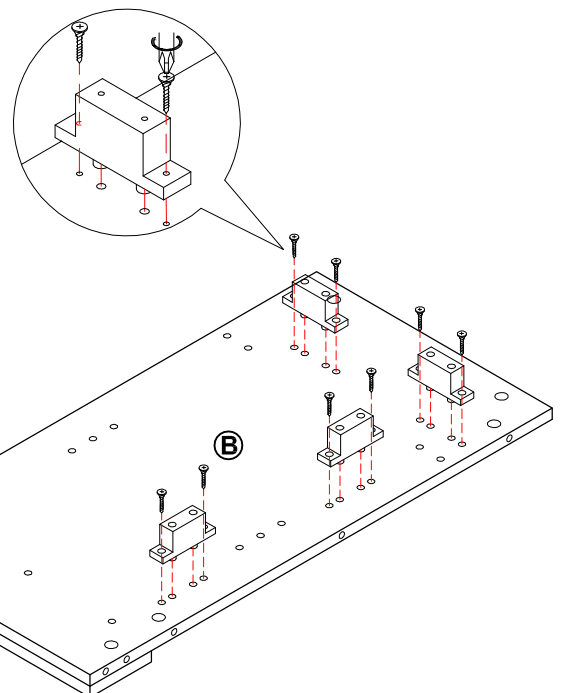
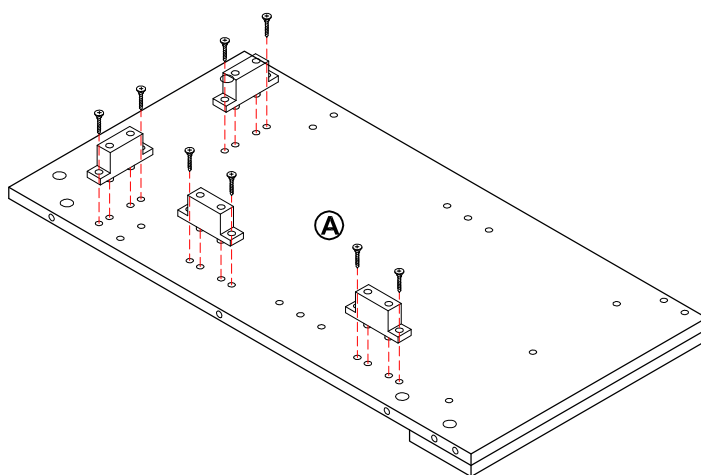
		
U x 1	L x 4	K x 4



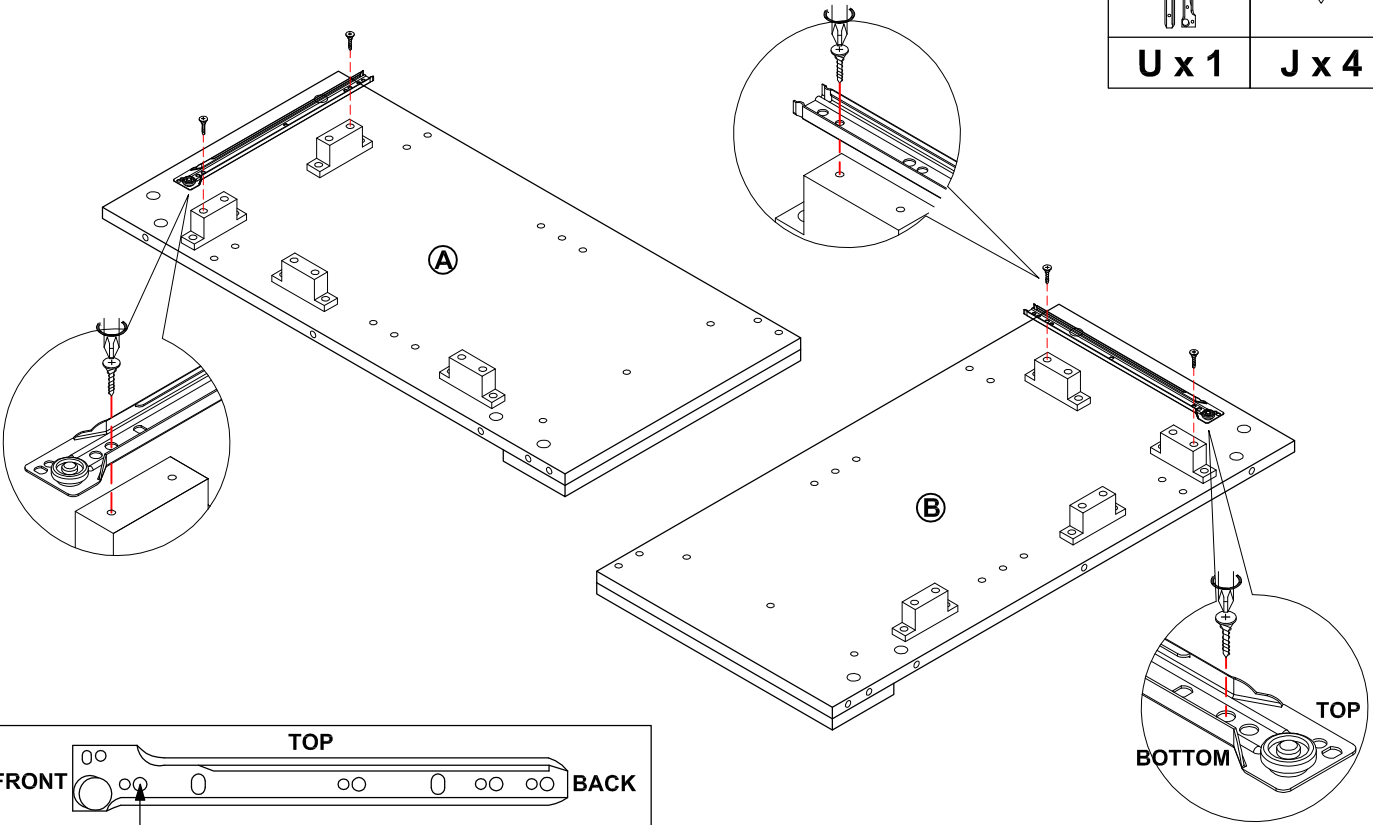
PLEASE ENSURE TO FIX THE SCREWS AS PER ABOVE POINTED HOLES INSTRUCTION TO AVOID DISTORTION OF OVERALL LOOK OF PRODUCTS



Step 2

	
T x 8	H x 16



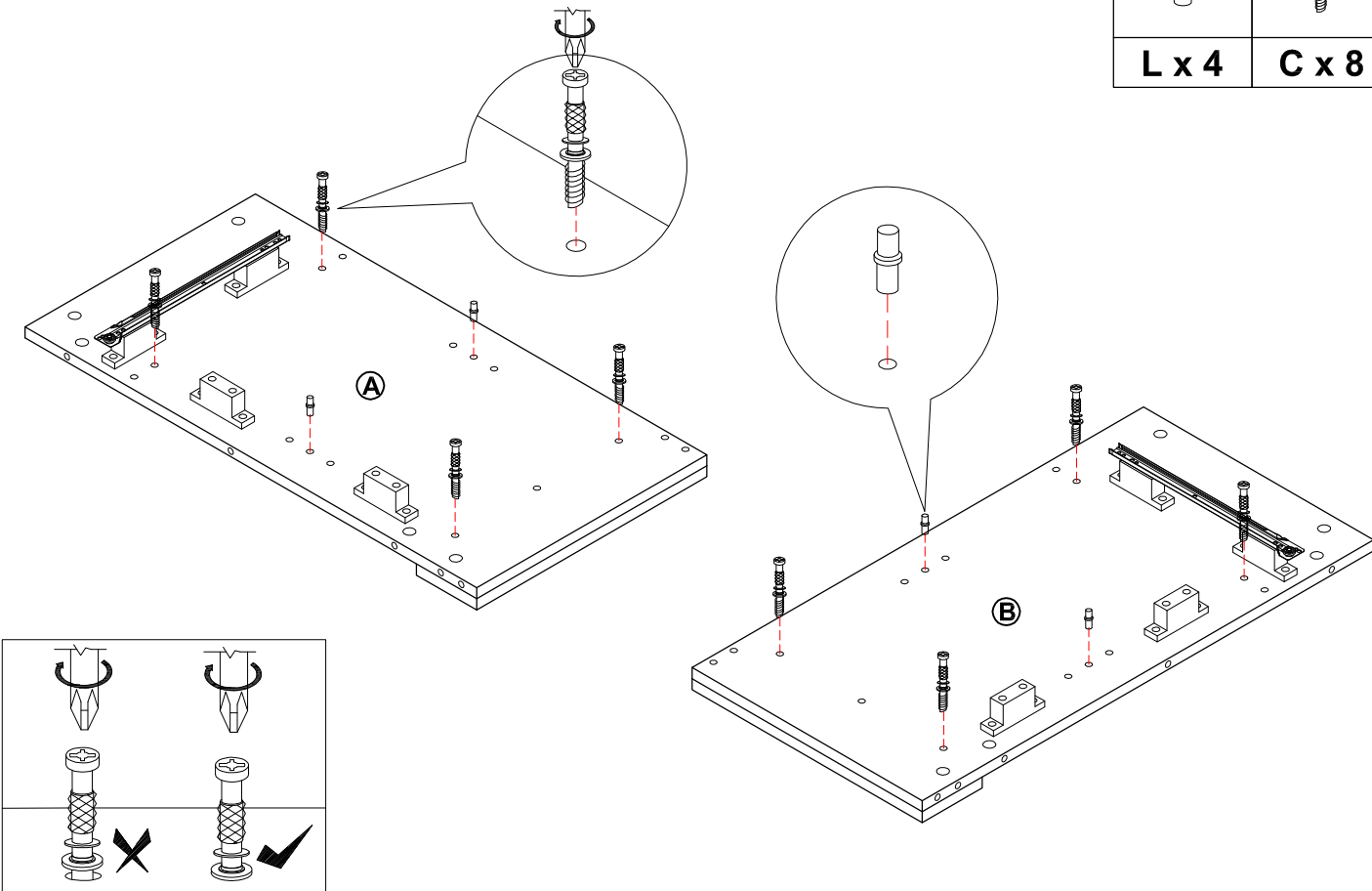
Step 3





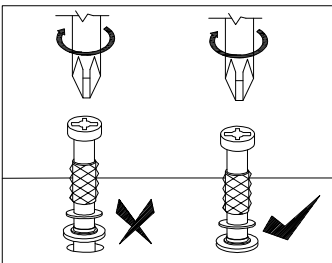
	
U x 1	J x 4

PLEASE ENSURE TO FIX THE SCREWS AS PER ABOVE POINTED HOLES INSTRUCTION TO AVOID DISTORTION OF OVERALL LOOK OF PRODUCTS

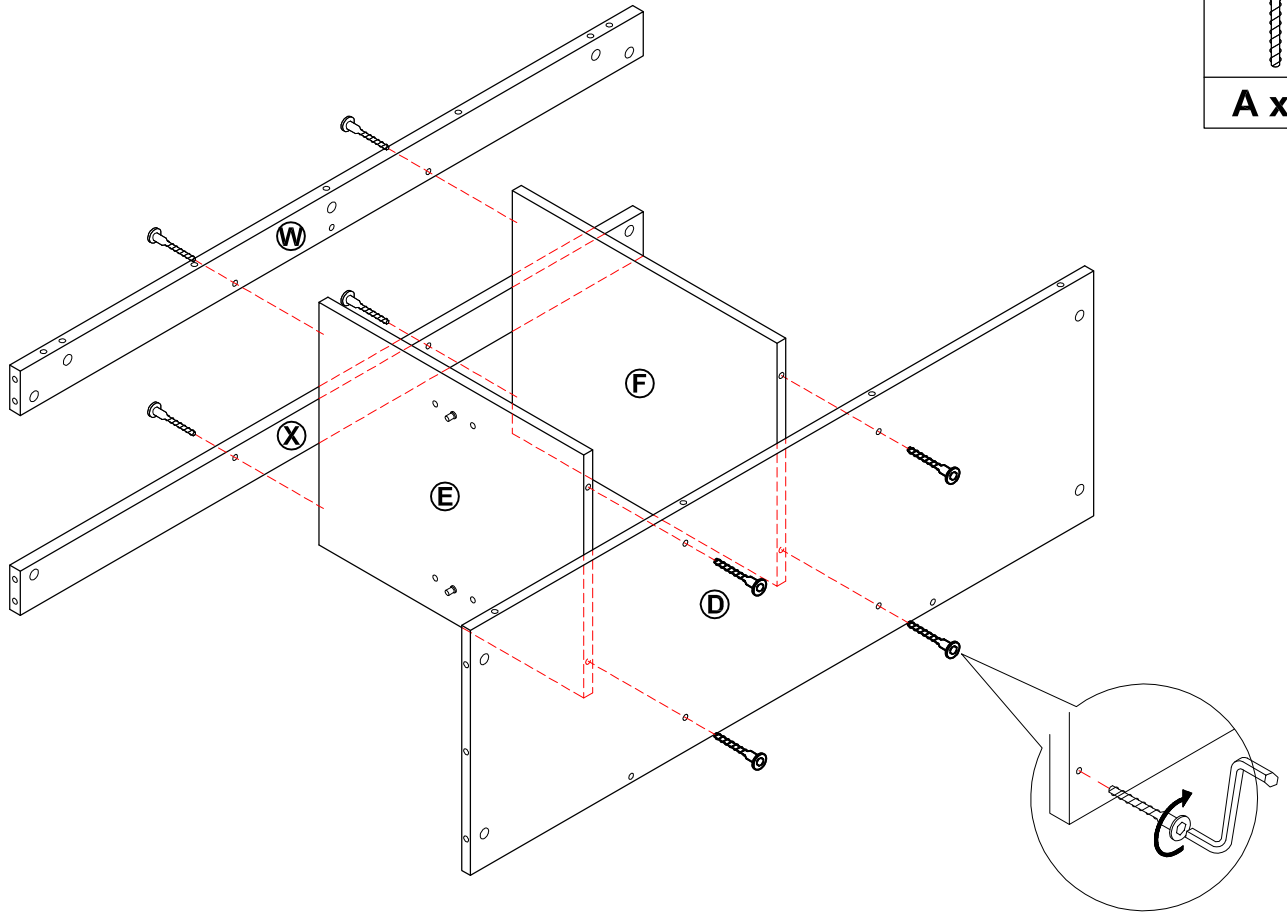
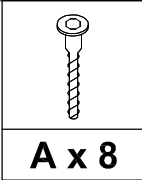
Step 4



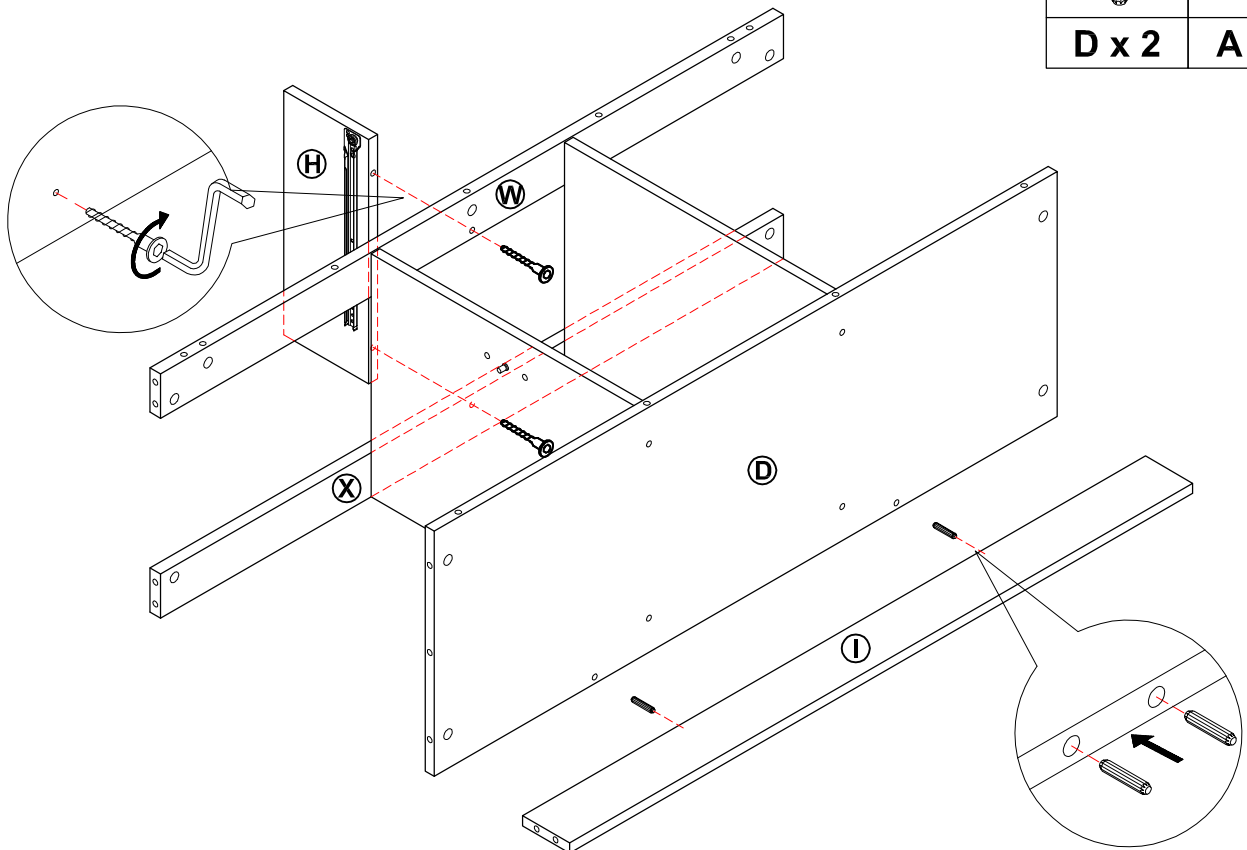
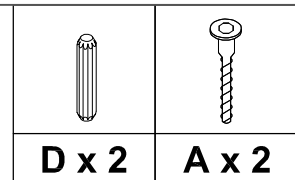
	
L x 4	C x 8



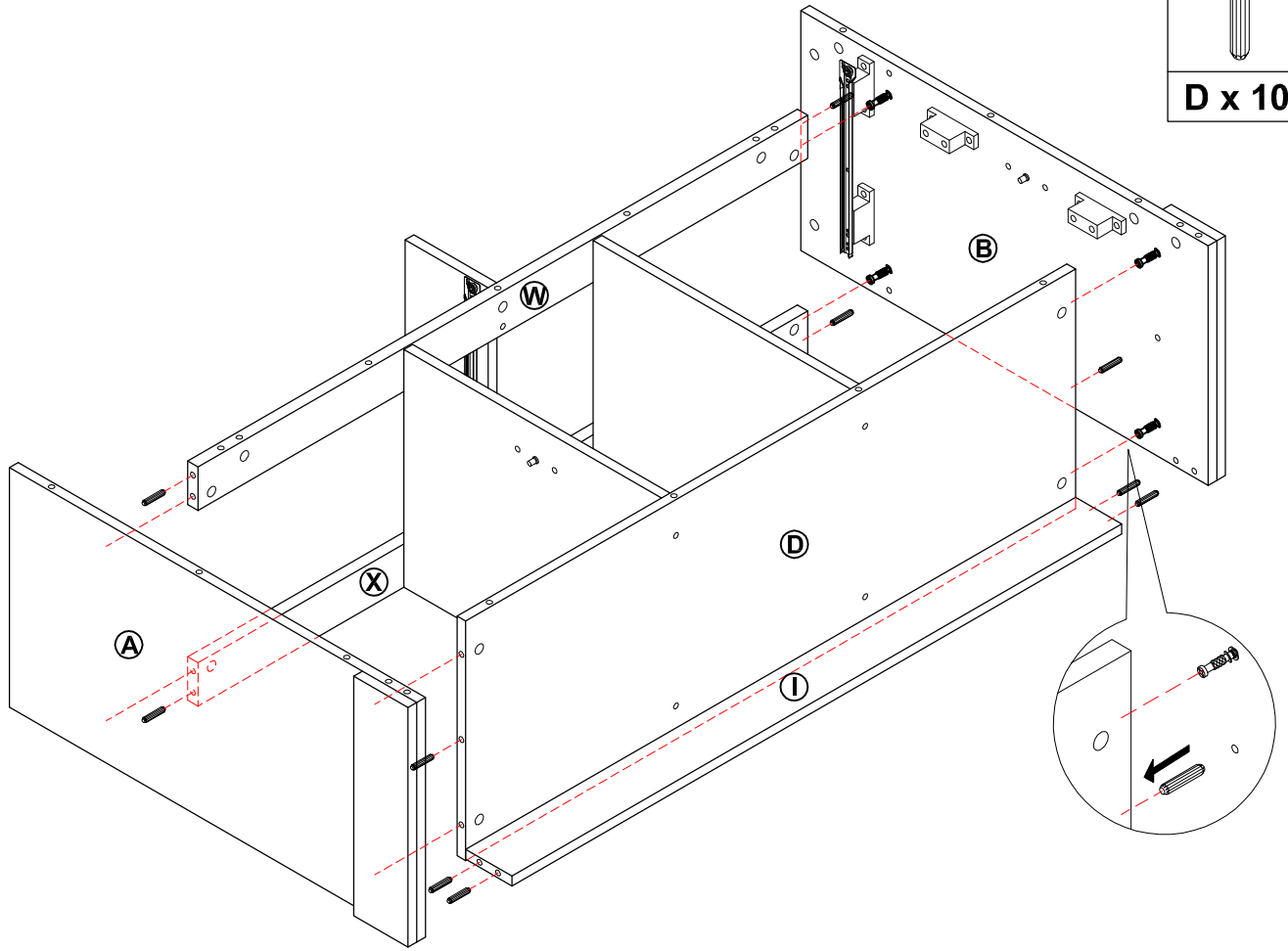
Step 5



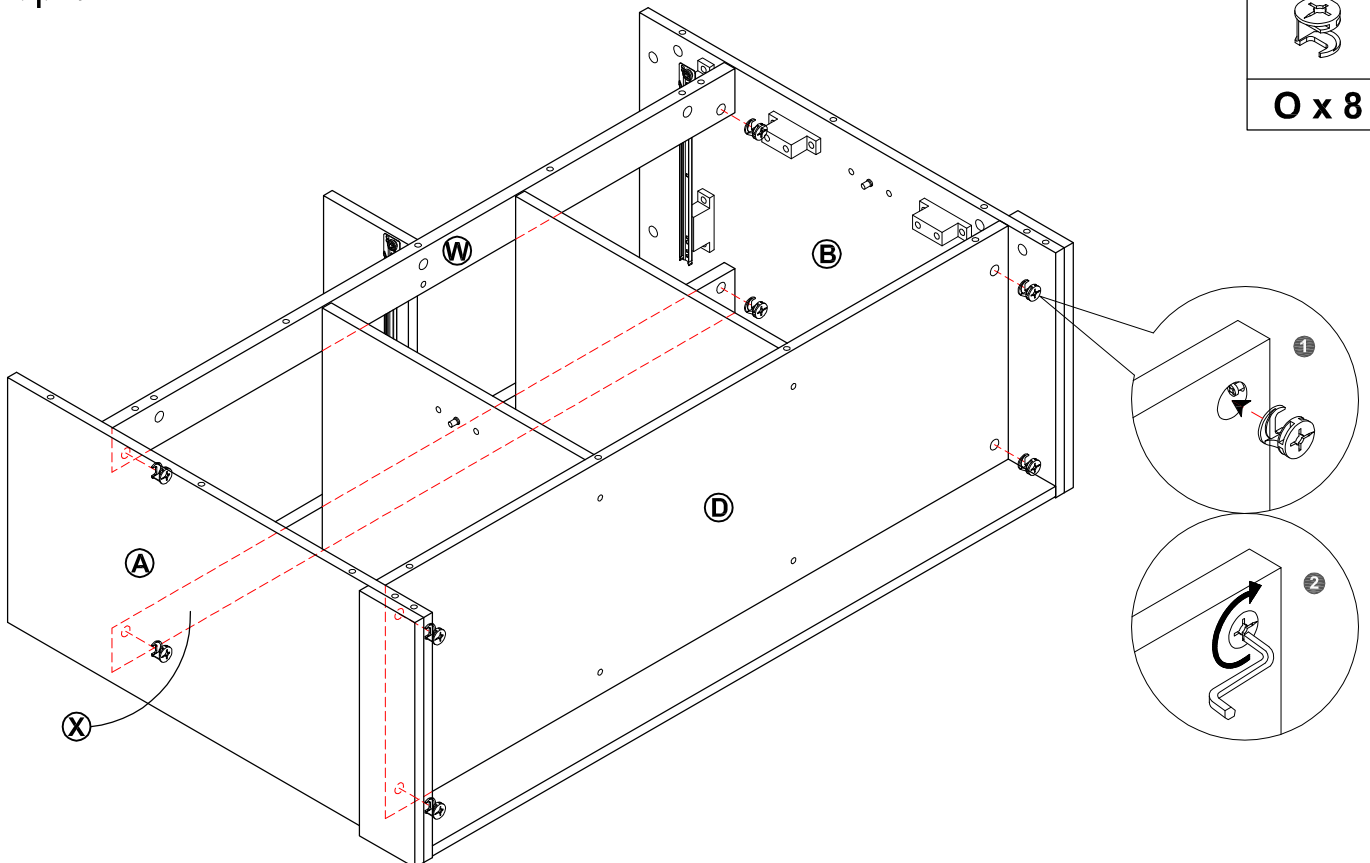
Step 6



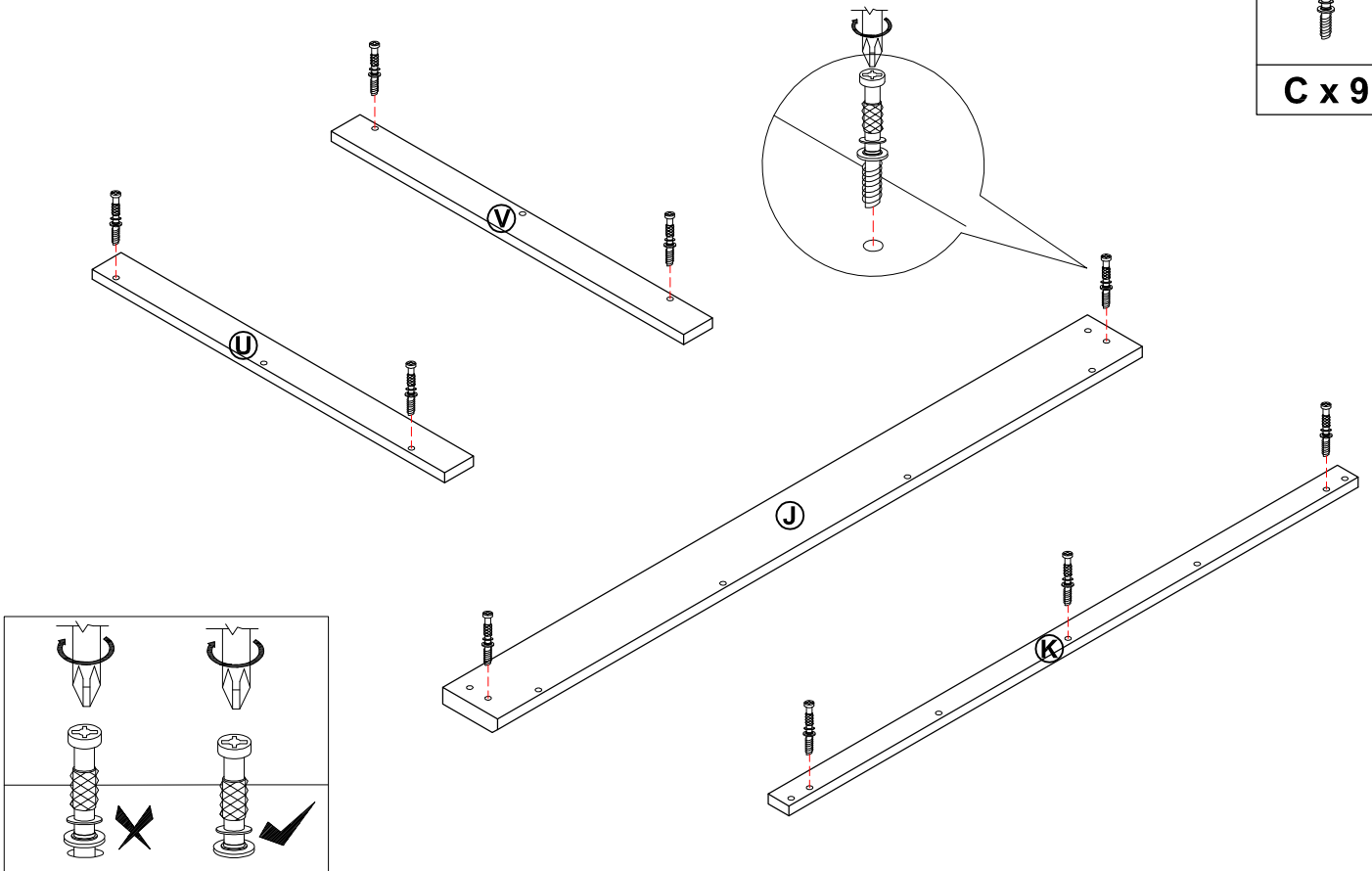
Step 7



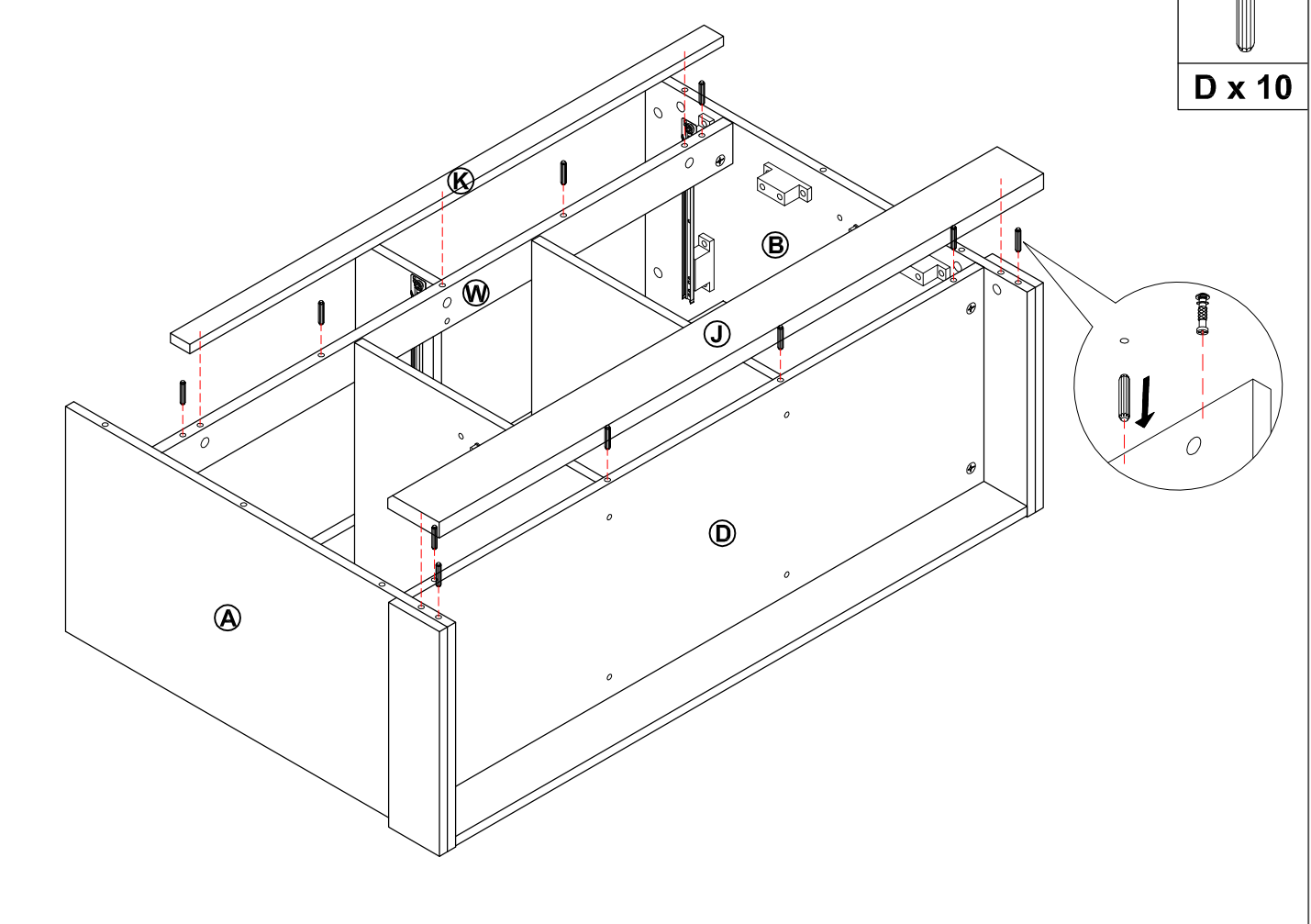
Step 8



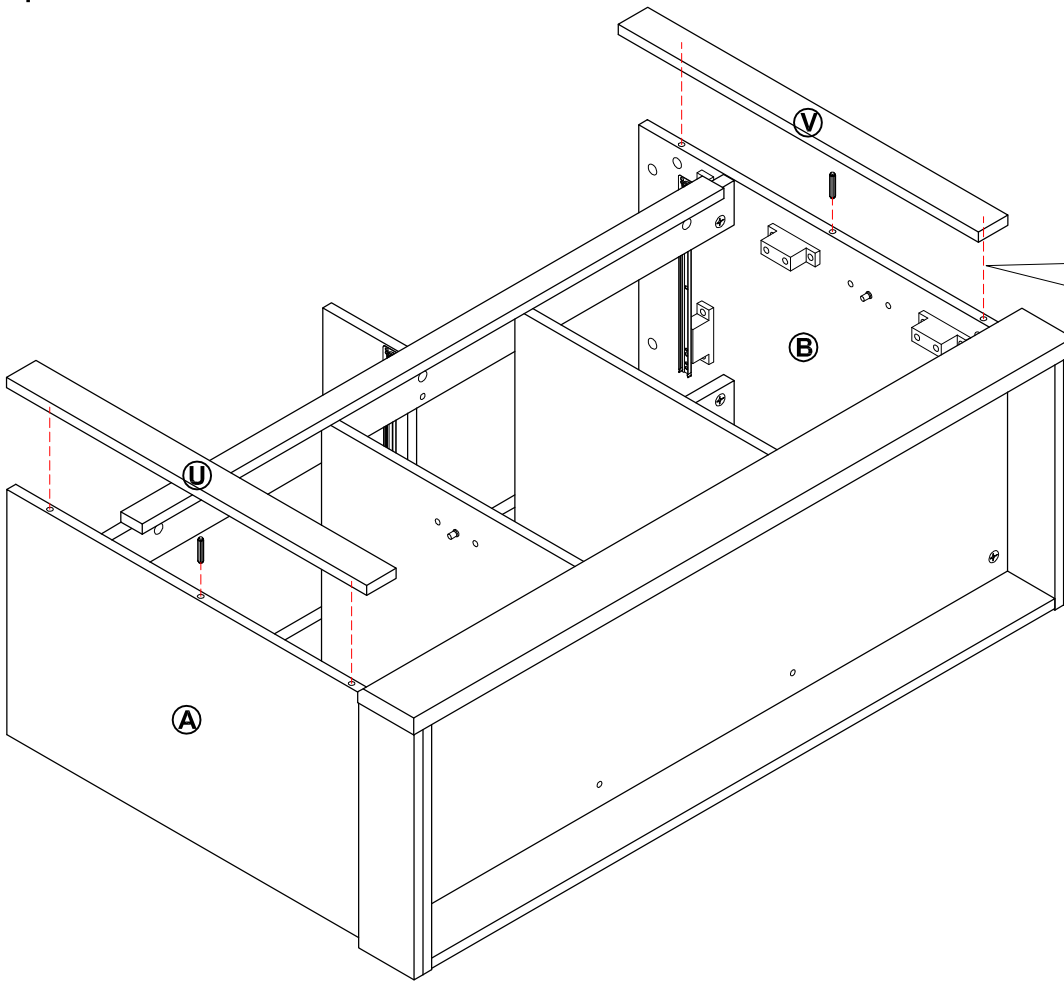
Step 9



Step 10

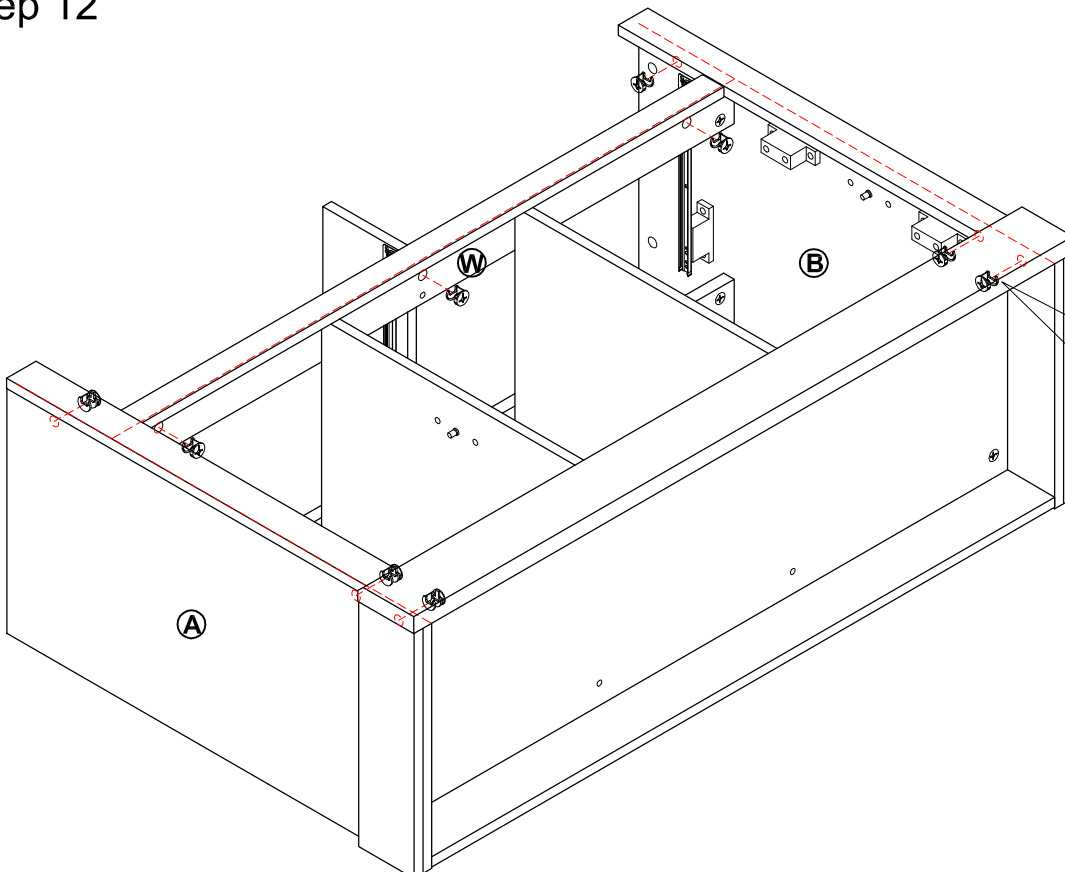


Step 11






D x 2

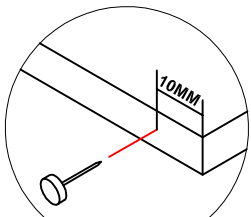
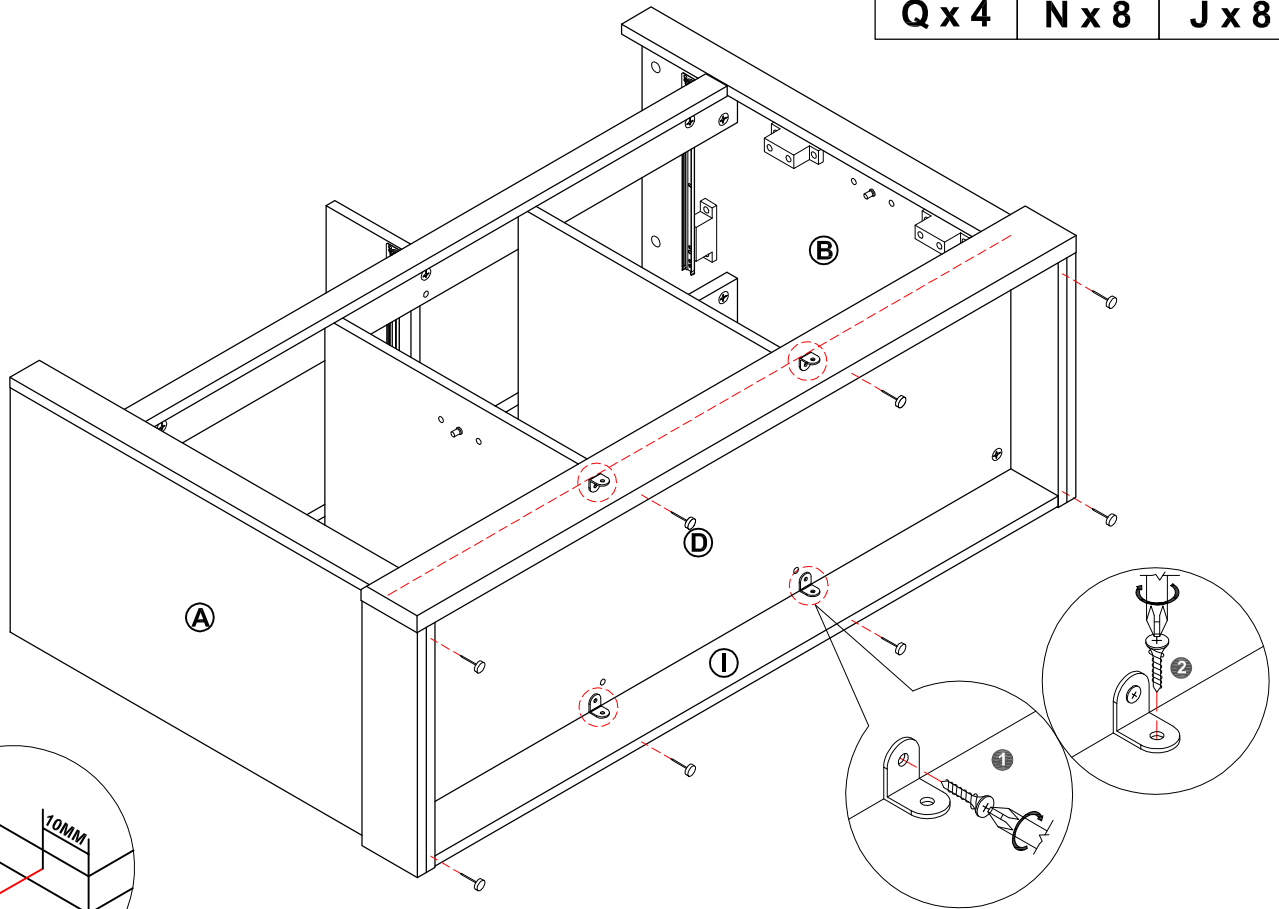
Step 12



O x 9


Step 13

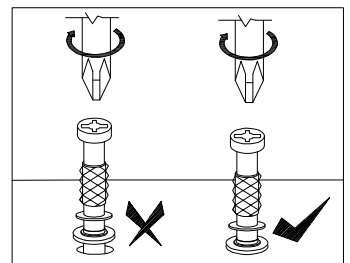
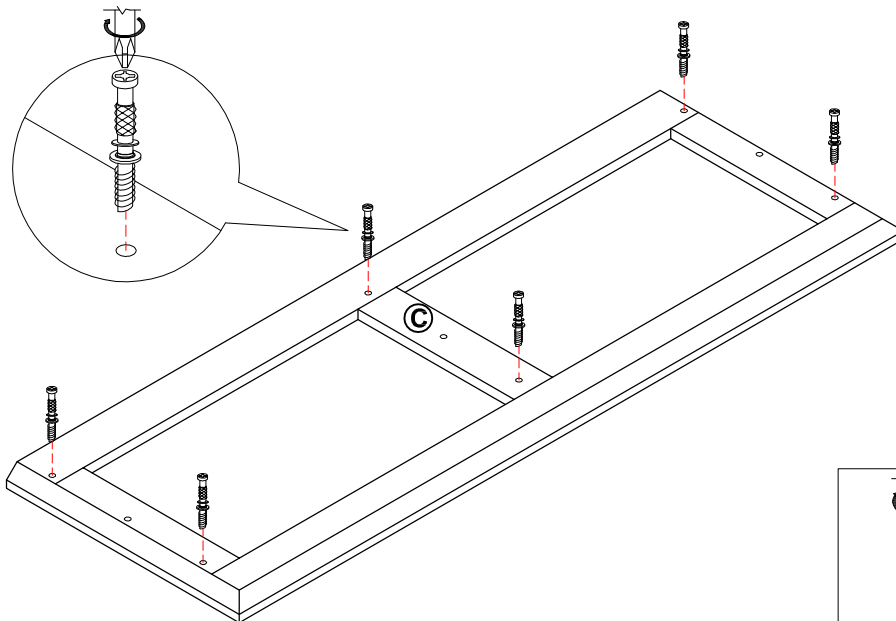
		
Q x 4	N x 8	J x 8



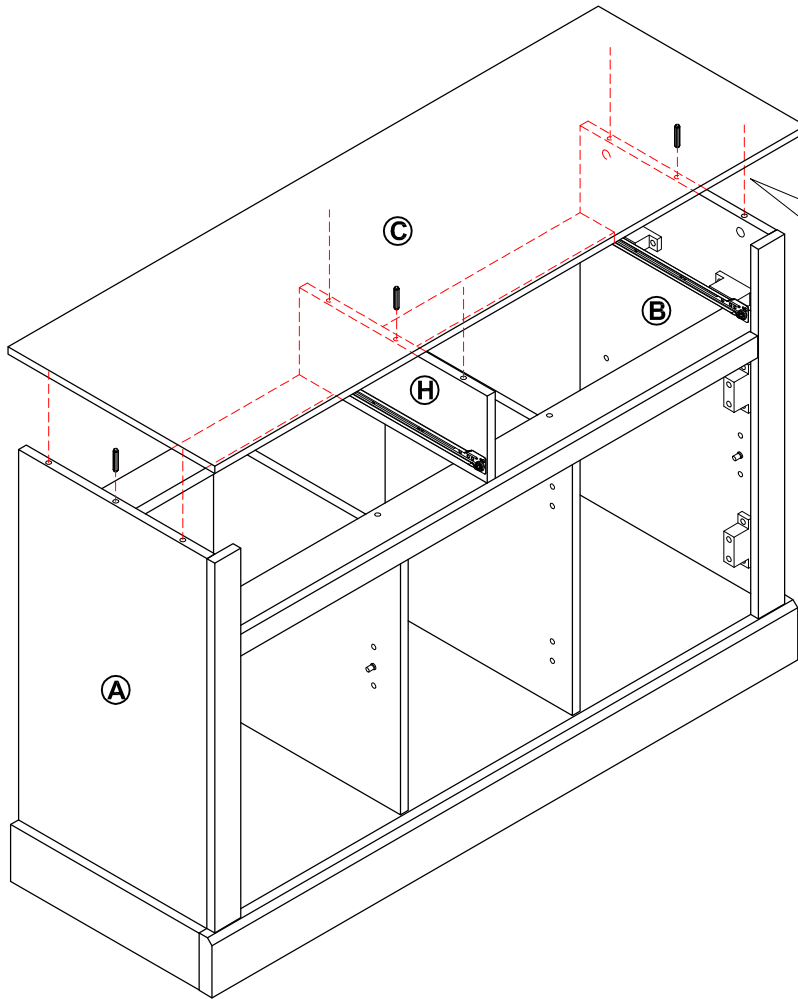
WARNING : THE FRONT NAIL LEG MUST FIX AT 10MM FROM FRONT.

Step 14


C x 6

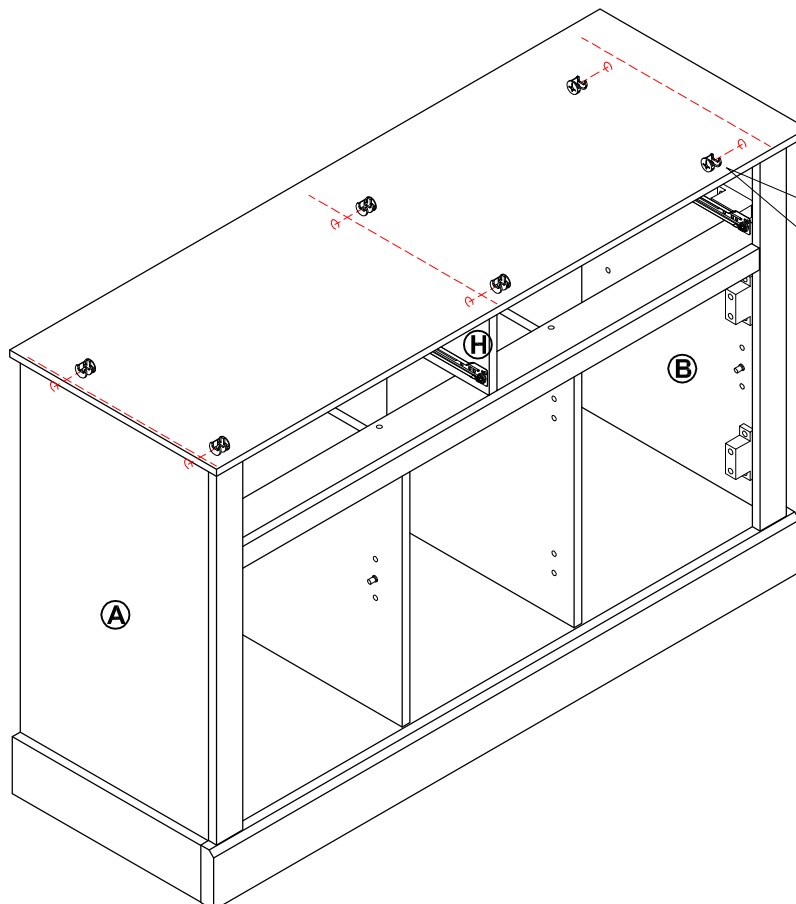


Step 15



D x 3

Step 16

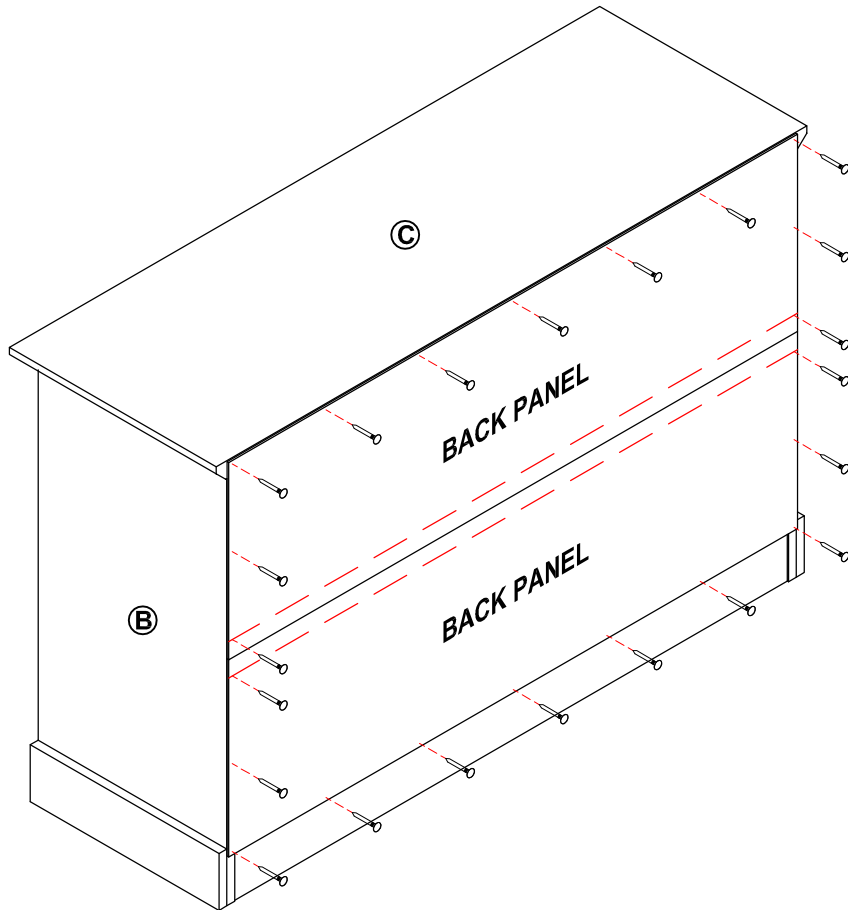


O x 6

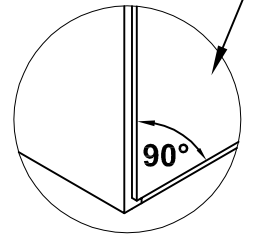
Step 17



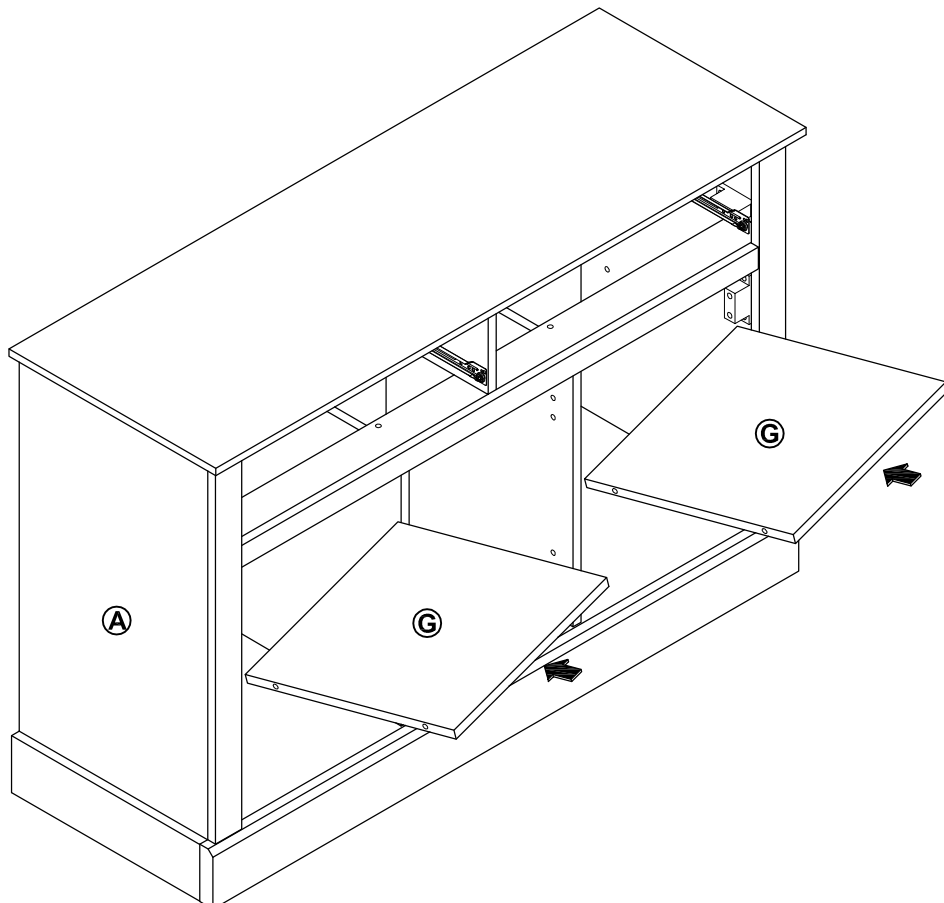
M x 22



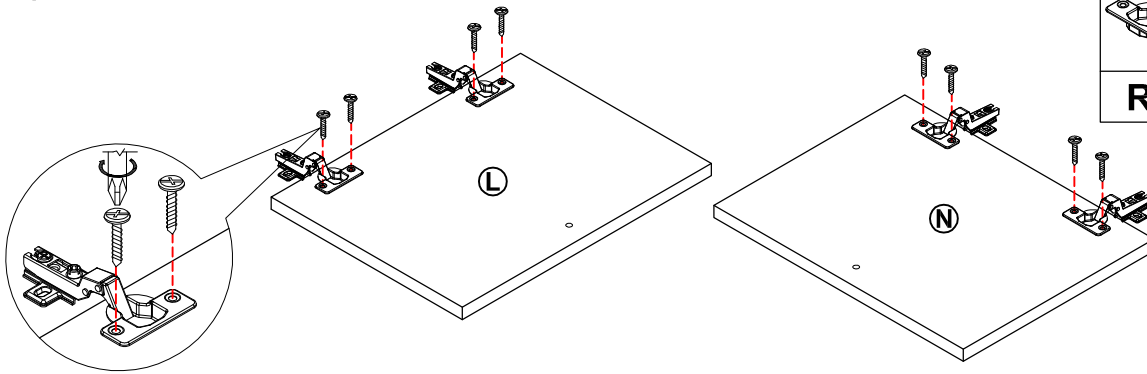
PLEASE ENSURE THAT EACH OF THE FOUR CORNERS OF THE CABINET IS SQUARE.



Step 18



Step 19

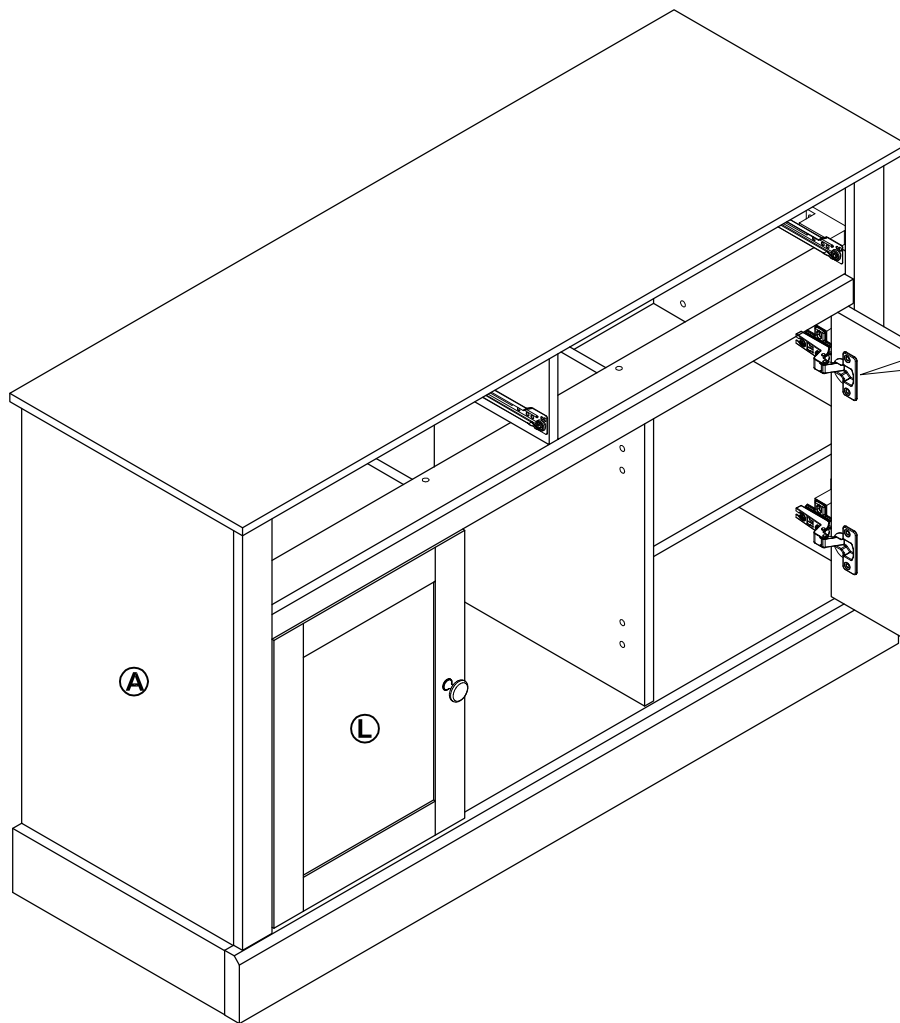


R x 4



I x 8

Step 20



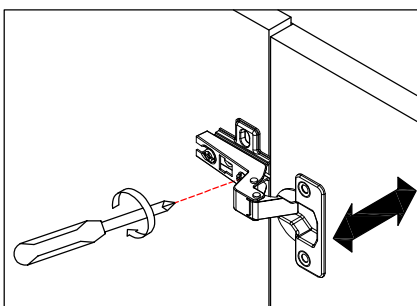
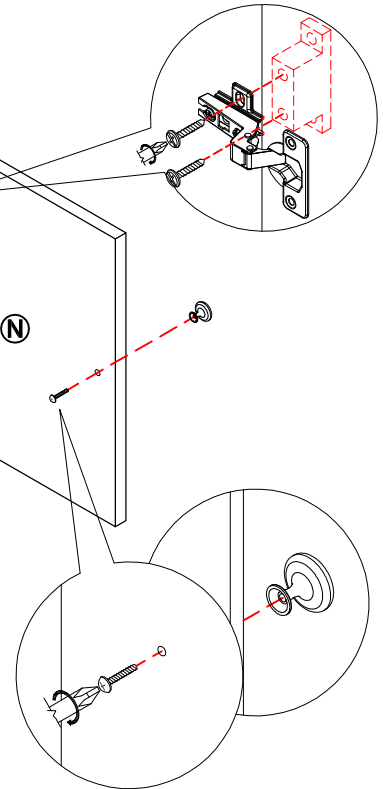
P x 2



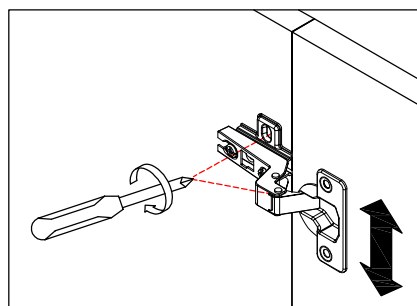
I x 8



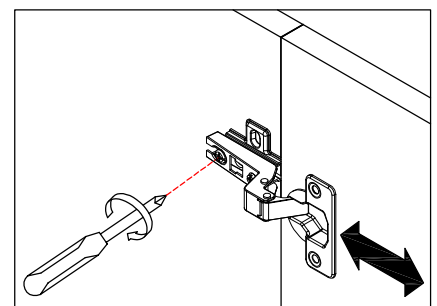
E x 2



A. Lateral adjustment by screw adjusting

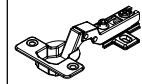
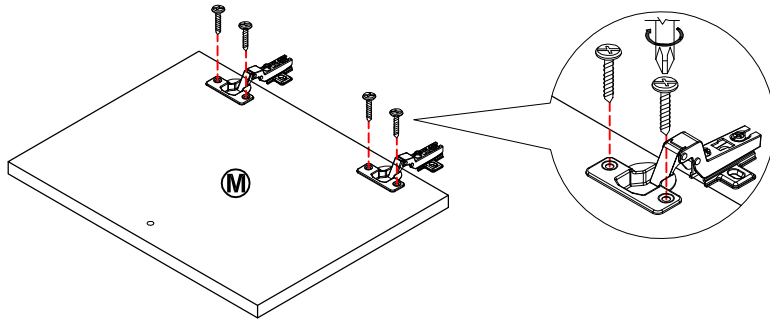


B. Vertical adjustment via slot in the mounting plate



C. Front-to-Back by the slacking the hinge arm mounting screw

Step 21

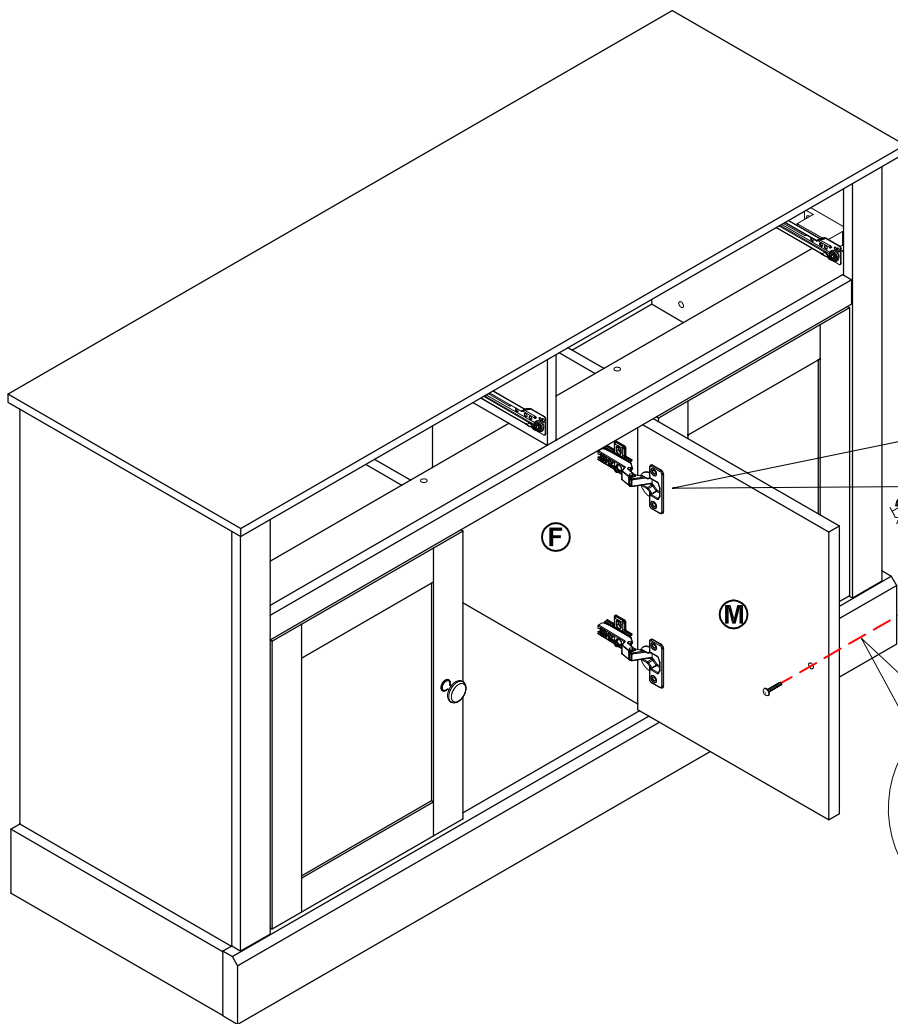


S x 2



I x 4

Step 22



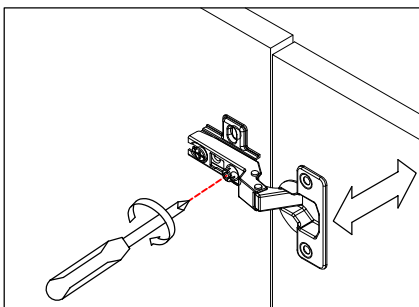
P x 1



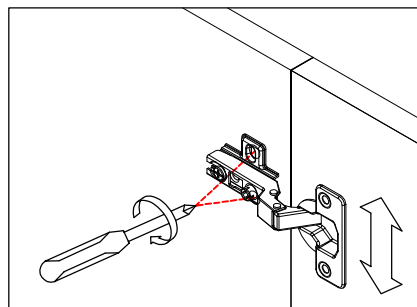
I x 4



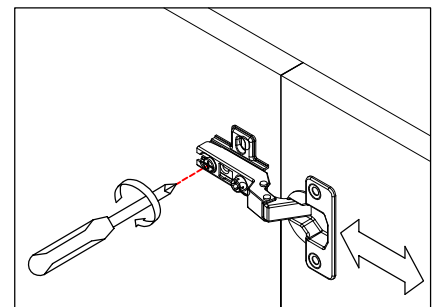
E x 1



A. Lateral adjustment by screw adjusting

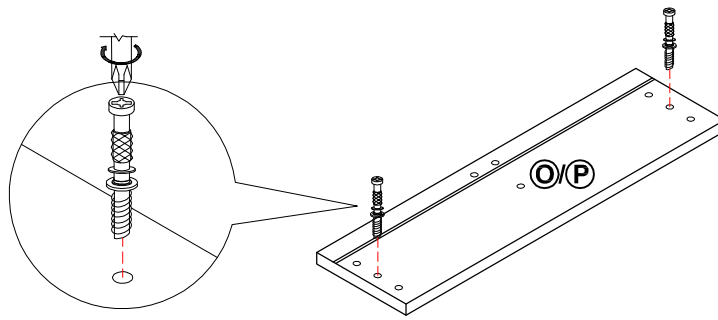
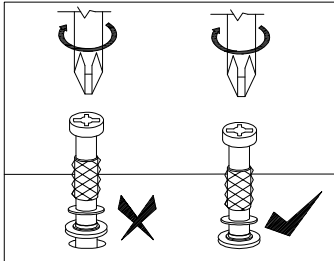


B. Vertical adjustment via slot in the mounting plate



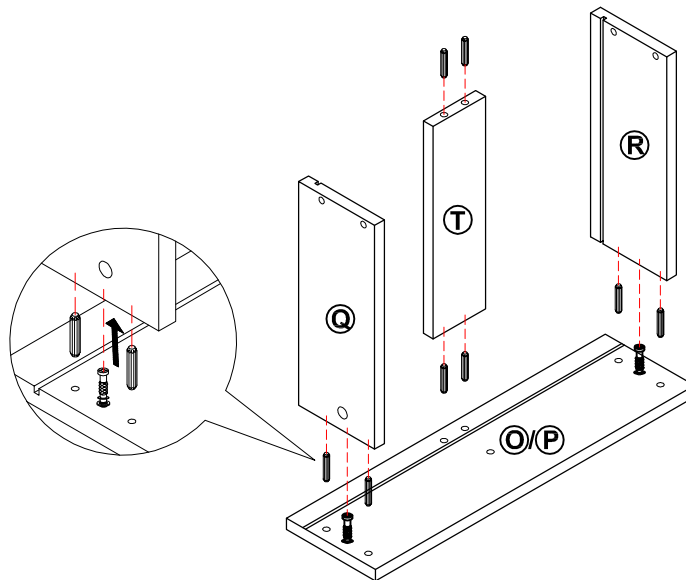
C. Front-to-Back by the slacking the hinge arm mounting screw

Step 23



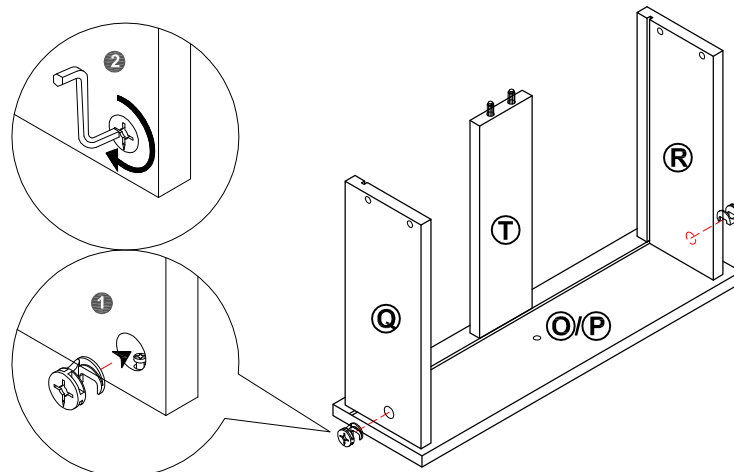
C x 4

Step 24



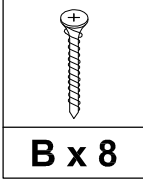
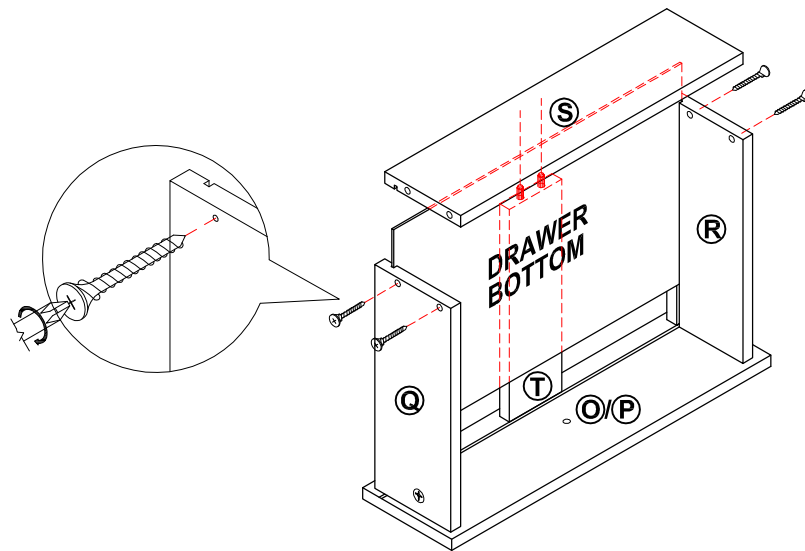
D x 16

Step 25



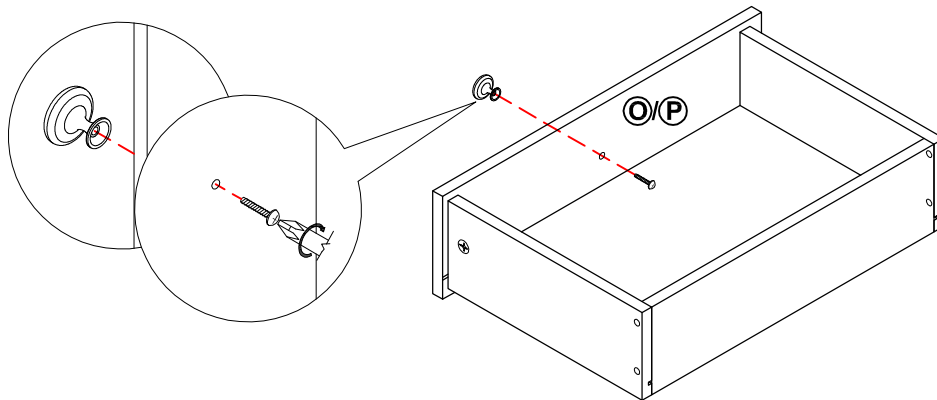
O x 4

Step 26



B x 8

Step 27

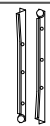
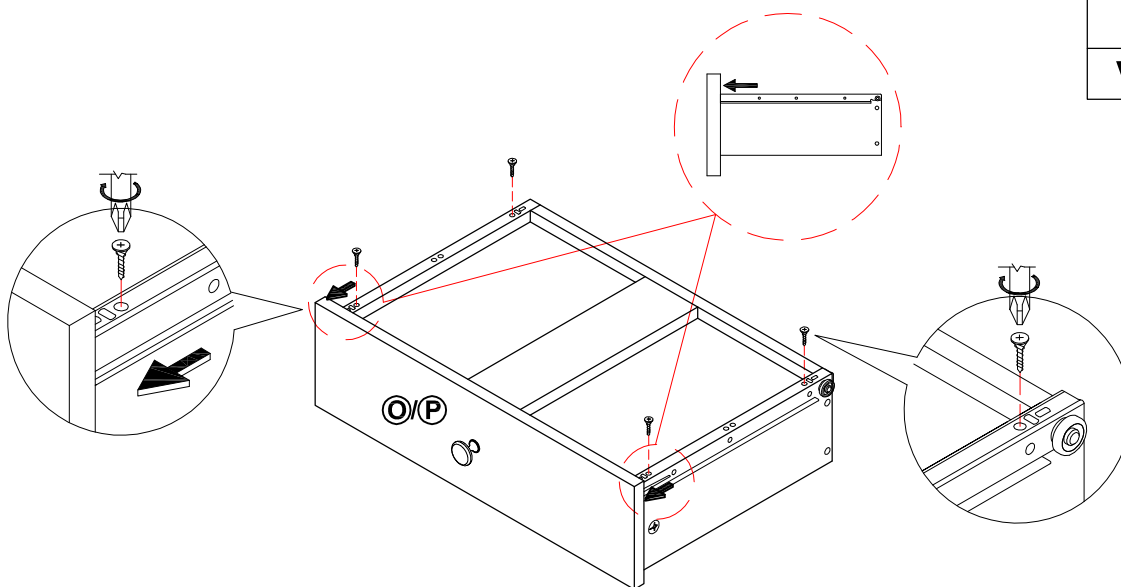


P x 2



G x 2

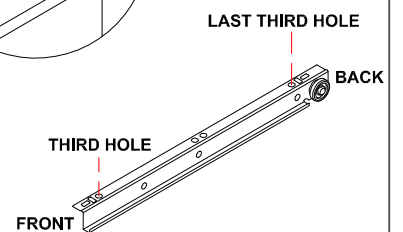
Step 28



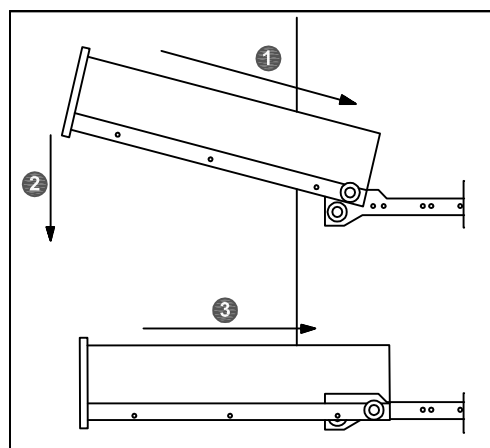
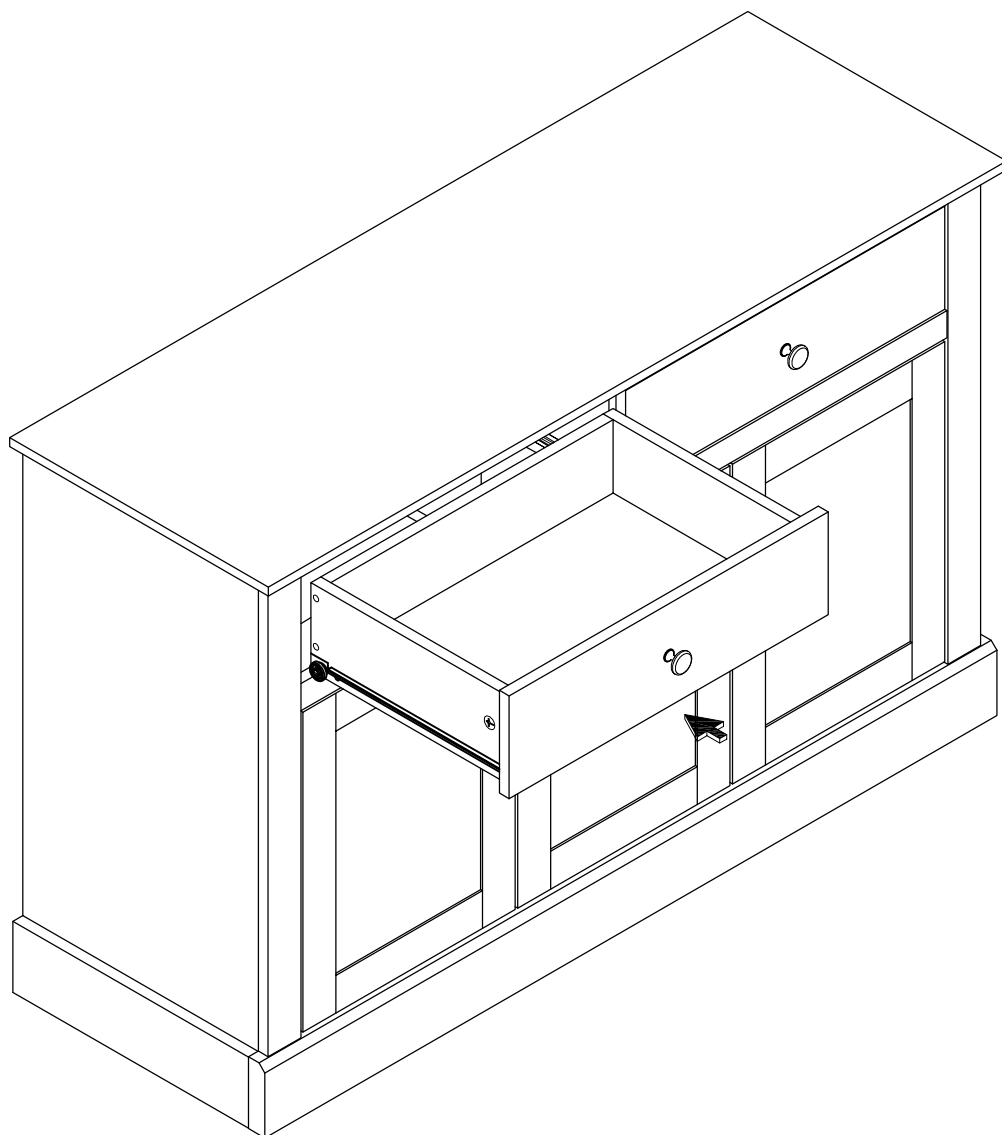
V x 2



J x 8

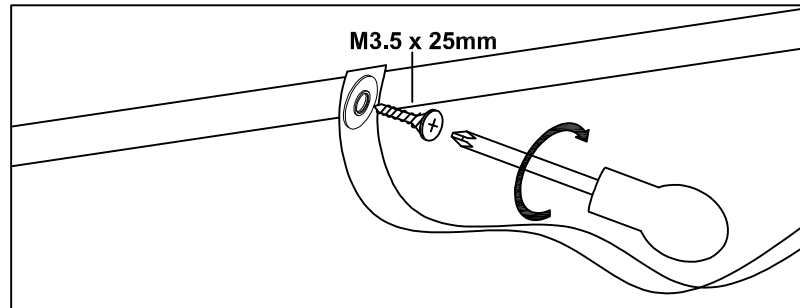


Step 29

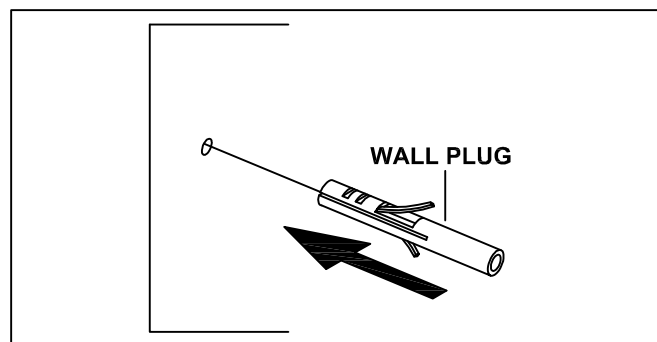


FITTING OF ANTI-TIP SAFETY STRAP

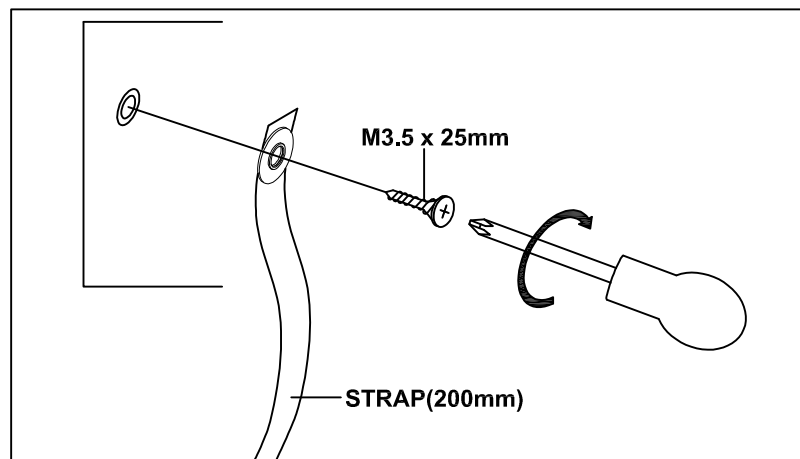
STEP 1:
Pull the screw in
the top panel hole
of your furniture



STEP 2:
Make a hole on
the wall and pull
the wall plug in



STEP 3:
Pull the screw in
the wall plug hole



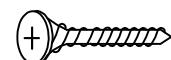
NOTE: Wall fixing are not supplied with this product as different wall materials require different types of fixing devices (such as Rawl plugs on bricks wall). You must use fixing devices suitable for the type of wall you intend to mount this product to. Please ensure that the head of any screw used has a diameter greater than the diameter of the mounting hole on the product and that the fixing is safe and secure before use.

The brackets and screws which to fix the brackets on to the furniture are provided only.

HARDWARE LIST



STRAP(200mm) -1Pc



M3.5 x 25mm -1Pc