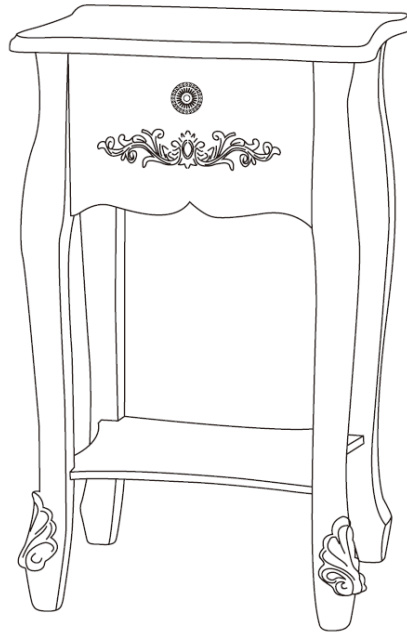


# ANTOINETTE 1 DRAWER NIGHTSTAND

## ASSEMBLY INSTRUCTIONS

**PLEASE KEEP THE ORIGINAL PACKAGING UNTIL THE ITEM IS FULLY ASSEMBLED AND IN PLACE. IN THE UNLIKELY EVENT THAT YOU NEED TO RETURN YOUR PRODUCT, IT MUST BE RETURNED IN ITS ORIGINAL PACKAGING TO AVOID FURTHER DAMAGE . FAILURE TO COMPLY TO THESE PROCEDURES, NO RETURN'S WILL BE ACCEPTED.**



### **IMPORTANT PLEASE READ BEFORE YOU CONTINUE FURTHER**

THE PRODUCT YOU HAVE PURCHASED WILL GIVE YOU MANY YEARS OF SERVICE IF YOU FOLLOW THE GUIDELINES FOR ITS SAFE ASSEMBLY AND PERIODIC MAINTENANCE AND CLEANING ...

DO NOT USE ANY TOOLS OTHER THAN THOSE SHOWN.  
ASSEMBLE ON A SOFT CLEAN SURFACE.

ANY SPANNERS OR ALLEN KEYS REQUIRED ARE INCLUDED WITH THE FITTINGS KIT.

DO NOT FOR ANY REASON USE A POWER TOOL TO ASSEMBLE THIS PRODUCT. ITS USE WILL INVALIDATE ANY CLAIM YOU MAY HAVE AND COULD MAKE THIS PRODUCT UNSAFE.

DEPENDING ON THE AMOUNT OF USE THIS PRODUCT RECEIVES IT MAY BE NECESSARY TO TIGHTEN UP THE FIXINGS FROM TIME TO TIME. THIS IS COMPLETELY NORMAL FOR ANY FLAT PACK FURNITURE.

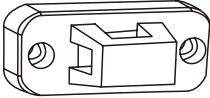

FOR CLEANING YOU MAY USE A DAMP CLOTH (NOT WET) OR DRY DUSTER.

DO NOT USE ABRASIVE OR CHEMICAL CLEANERS AS THESE COULD SCRATCH OR DAMAGE THE SURFACE OF YOUR PRODUCT. WE DO NOT ACCEPT RETURNS FOR INCORRECT CARE OF PRODUCTS.

THE SURFACE OF THIS ITEM IS NOT HEAT RESISTANT.

ALWAYS USE A MAT UNDER HOT OR COLD ITEM TO PREVENT MARKING.

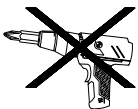
# HARDWARE LIST

A		PLASTIC BRACKET 45X20MM	1
B		PLASTIC CABLE TIE 245X7MM	1

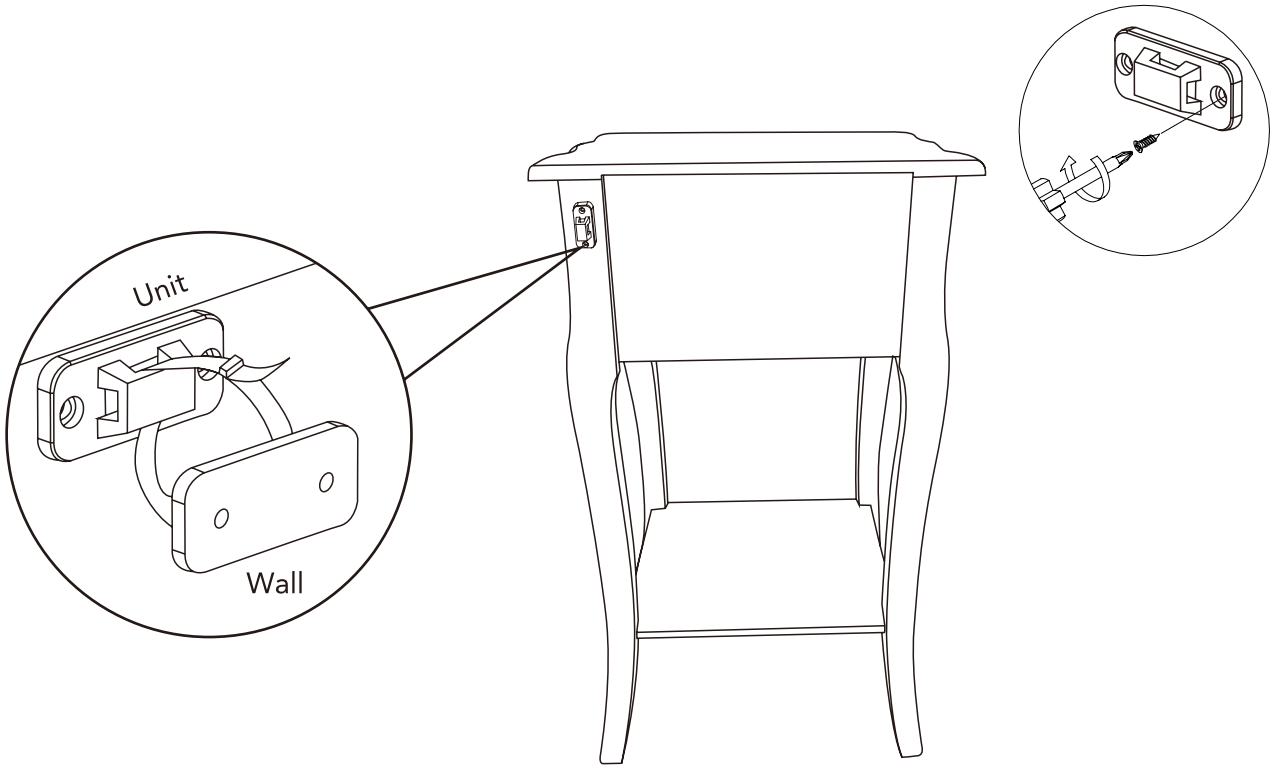
**PLEASE CHECK THAT YOU HAVE ALL THE PARTS LISTED.**

**BEFORE YOU START ASSEMBLING IF YOU FIND THAT SOMETHING IS MISSING DO NOT CONTINUE ASSEMBLY.**

**PLEASE CONTACT YOUR SUPPLIER IMMEDIATELY.**

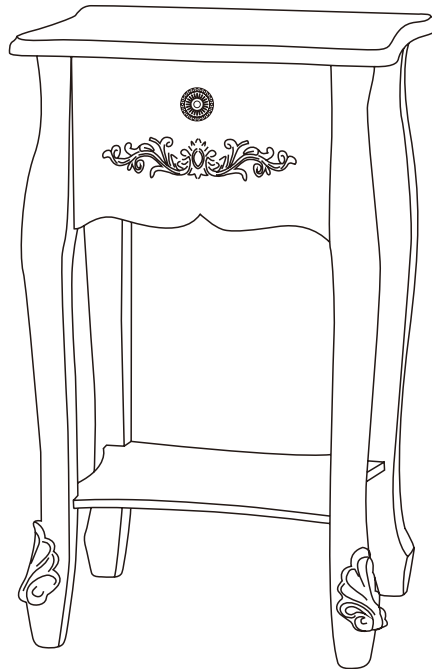


**USE OF POWER TOOLS TO ASSEMBLE THIS PRODUCT WILL INVALIDATE ANY CLAIM AND MAY DAMAGE THIS PRODUCT MAKING IT UNSAFE.**

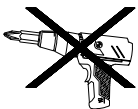


You will find one plastic brackets(A) pre fixed to the back of the unit. Then attach one plastic brackets(A). screwd into the wall as the image shows, use the plastic cable tie(B) connect the two plastic brackets(A).

## ASSEMBLY IS COMPLETE



NOTE:  
WALL PLUG & SCREW ARE NOT SUPPLIED WITH THIS PRODUCT AS DIFFERENT WALL MATERIALS REQUIRE DIFFERENT TYPES OF FIXING HARDWARE & YOU MUST USE SUITABLE FIXING HARDWARE FOR TYPE OF WALL YOU INTEND TO MOUNT THIS PRODUCT TO WALL.



**USE OF POWER TOOLS TO ASSEMBLE THIS PRODUCT WILL INVALIDATE ANY CLAIM AND MAY DAMAGE THIS PRODUCT MAKING IT UNSAFE.**