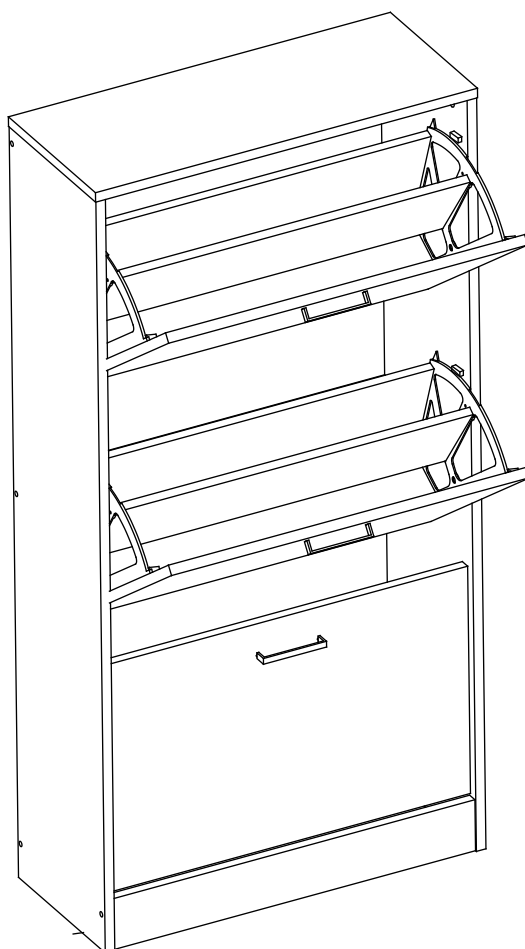


# STIRLING - 3 TIER SHOE CABINET

Thank you for purchasing the **3 TIER SHOE CABINET**.  
Please read the instructions carefully to ensure safe operation of the product.



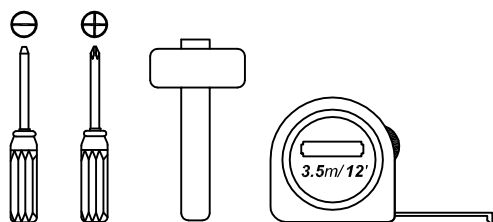
Size: (W)600 x (D)240 x (H)1195mm  
Colour : White / Light Grey / Oak / Espresso

**PLEASE READ** this sheet prior to assembly to familiarise yourself with the various stages of construction.

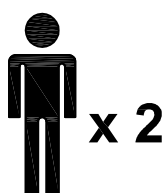
Carefully open the pack supplied and check the contents against the parts and fittings check list. Do not destroy any of the packaging until you are certain that you have all the necessary parts for the assembly.

**CAUTION:** There are small components used in the construction of this unit. These loose items should be kept away from young children whilst assembling your unit to avoid the danger of choking hazards.

## Tools Required



## Person Required



## Approximate Assembly Time



Batch No : PO# xxxx

Page 1 of 10

V1 10/18

## IMPORTANT - READ CAREFULLY - RETAIN THESE INSTRUCTIONS FOR FUTURE REFERENCE.

### INFORMATION

- The maximum load capacity for each drawer is **5kg**. Do not exceed this weight.
- Due to the size of this product we recommend that is assembled in the room intended for use.
- When you ready to start, make sure that you have the right tools, plenty of space and a clean, dry area for assembly
- Unwrap all packaging materials and place the components on top of the carton box or not on a clean floor to prevent it from scratching.
- Check the pack and make sure you have all the parts listed.
- Ensure that this product is fully assembled as illustrated before use.
- Check all screws or bolts are tightened and inspect regularly.
- This product should only be used on firm, level ground.
- Keep small parts out of reach of children.
- Make sure the legs remain in contact with the ground.
- Tools not included.

### WARNINGS

- DO NOT use power tools to construct this product.
- DO NOT tighten screw until fully assembled.
- DO NOT over tighten screw or bolts.
- DO NOT use this product if parts are missing, damage or worn.
- DO NOT stand or sit on this sideboard.
- We recommend the use of the wall safety bracket provided for safety reasons. N.B. Wall fixings suitable for a solid wall are included although the wall plug provided may not be suitable for other type of walls such as hollow walls. Fixings suitable for your wall type must be obtained separately..  
If in doubt please consult a qualified trade person. **Warning:** Always ensure the area to be drilled is free from hidden electrical wires, water and gas pipes.
- It is essential that this unit is fixed to a wall with the fixings provided.

### CARE INFORMATION

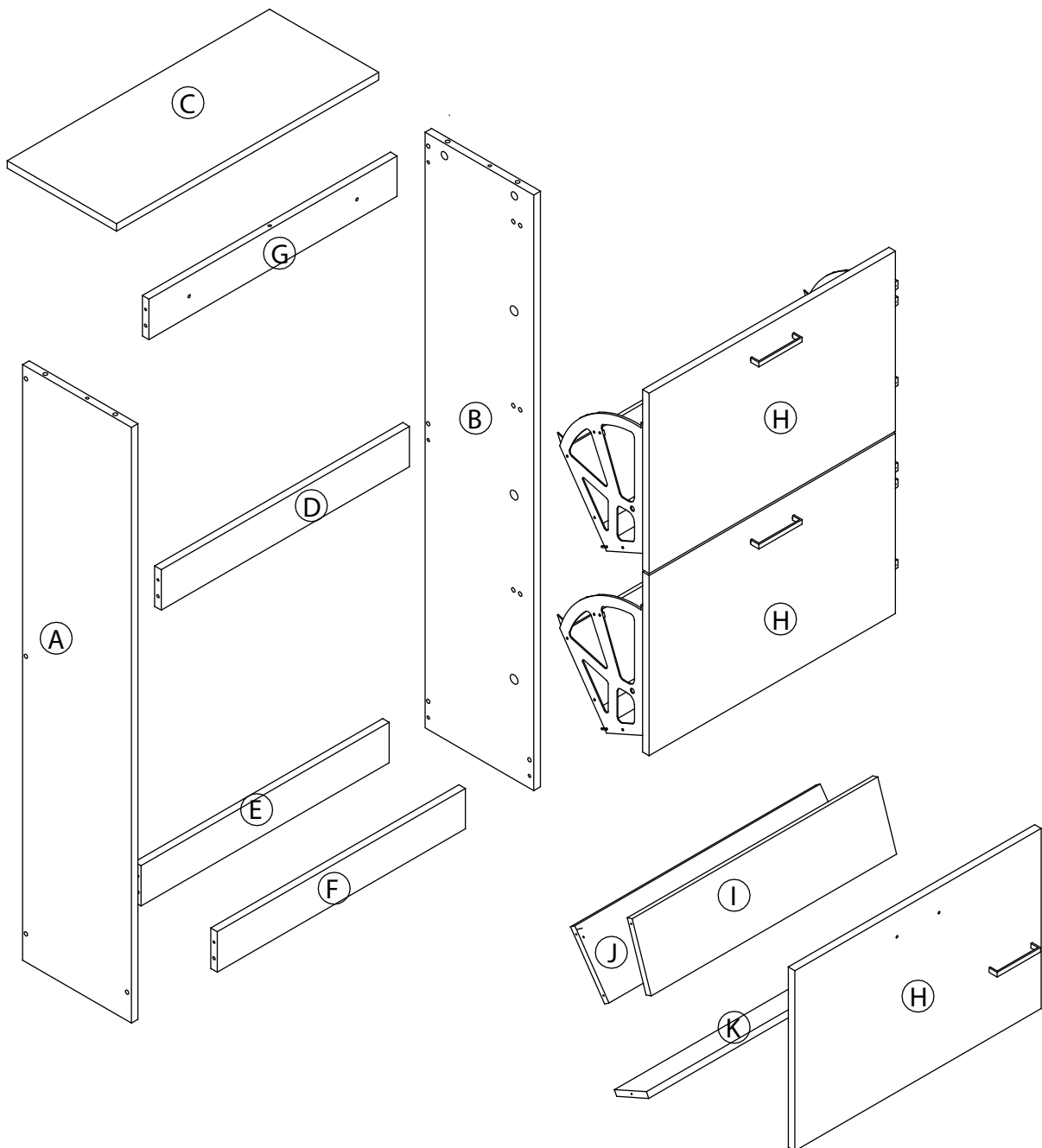
- Never use scourers, abrasives or chemical cleaners.
- To clean wipe with a sponge and soapy water. Do not use solvent based cleaners or detergents as they can bleach or damage the product.

Please check the pack contents before assembling the product. If any components are missing, please contact your retailer. The fittings pack contains small items that should be kept away from small children.

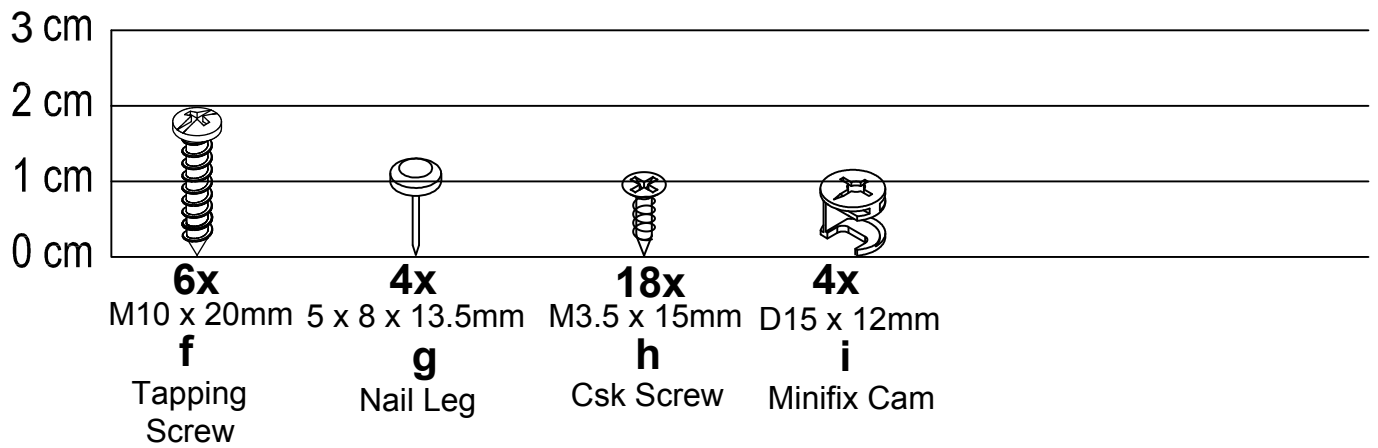
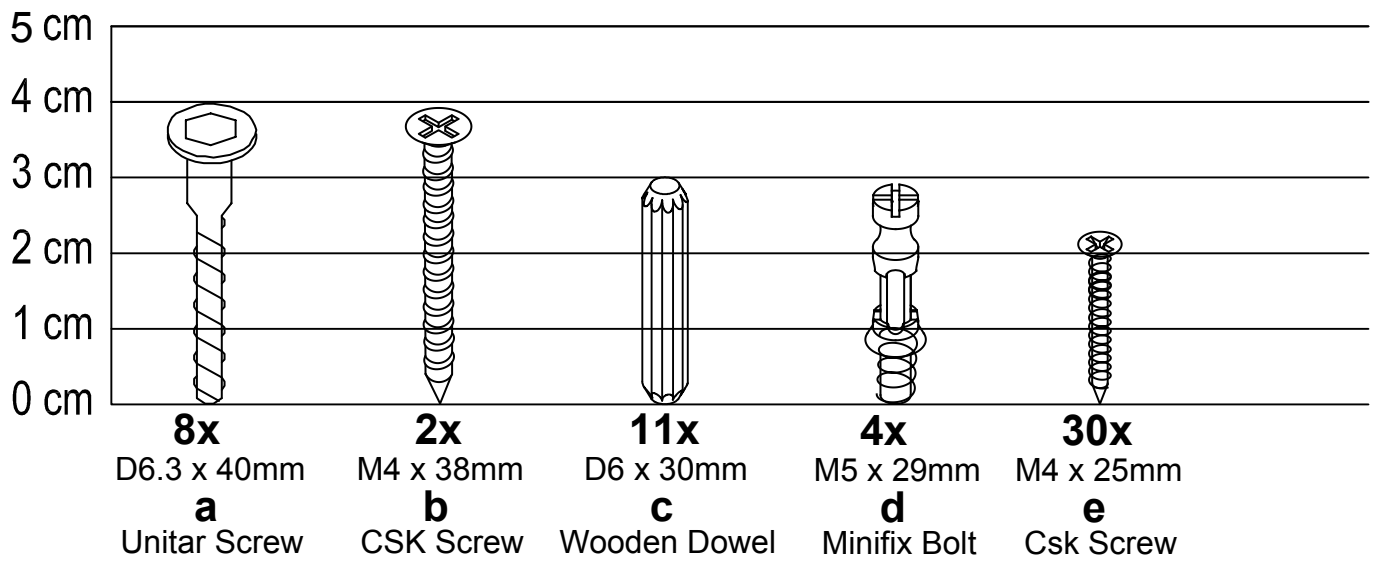
### Parts

CODE	PART NAME	QTY
A	Side Panel (L) (15 x 249 x 1180mm)	1
B	Side Panel (R) (15 x 249 x 1180mm)	1
C	Top Panel (15 x 250 x 600mm)	1
D	Bar Support (Back) (15 x 80 x 568mm)	1
E	Bar Support (Back) (15 x 80 x 568mm)	1

CODE	PART NAME	QTY
F	Bar Support (Front) (15 x 80 x 568mm)	1
G	Bar Support (Back) (15 x 80 x 568mm)	1
H	Front Panel (12 x 357 x 564mm)	3
I	Shoe Rack Panel (Mid) (12 x 138 x 562mm)	3
J	Shoe Rack Panel (Back) (12 x 138 x 562mm)	3
K	Shoe Rack Panel (Bottom) (12 x 80 x 562mm)	3



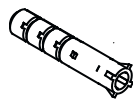
## Fixings (to scale)



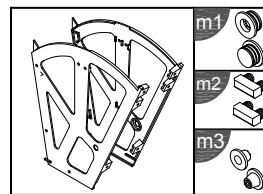
## Fixings (not to scale)



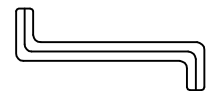
**3x**  
(64hole mm)  
**j**  
Handle PVC



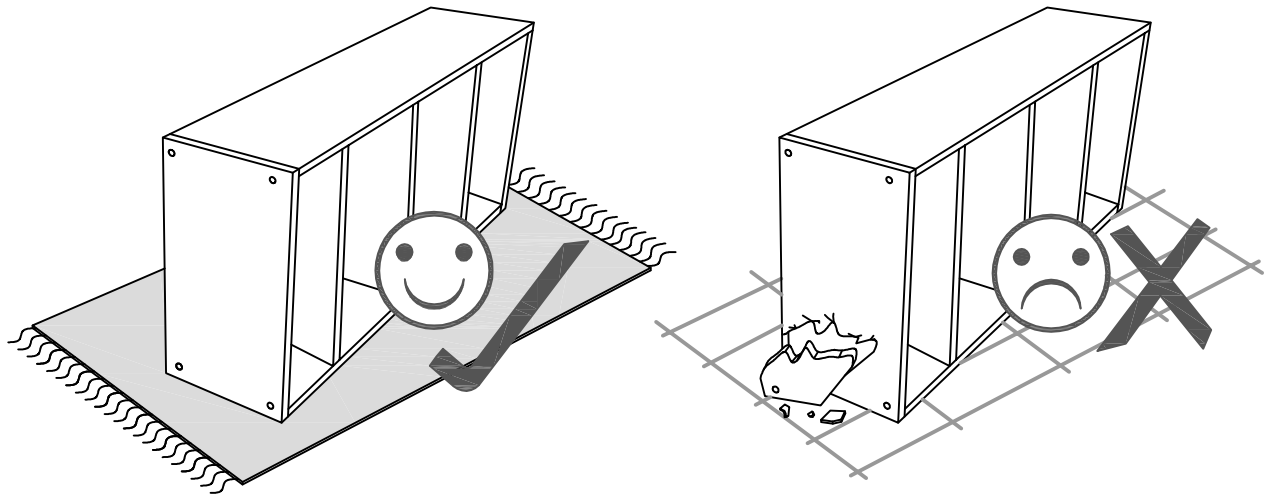
**2x**  
**k**  
Wall Plug



**3x**  
**m**  
2 Tier Shoe Rack



**1x**  
M4  
**n**  
Allen Key

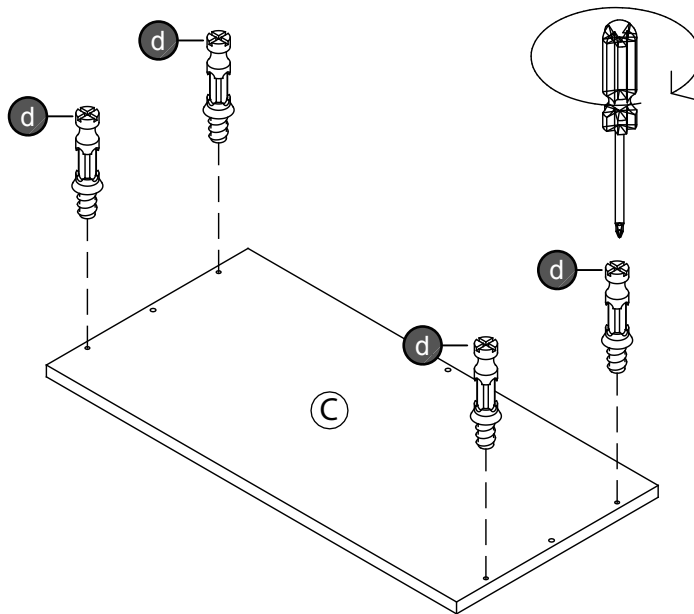


## Layout Parts on Soft Surface

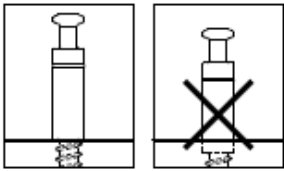
### STEP 1

Parts Required	Qty
Panel (A)	1
Panel (B)	1
Panel (D)	1
Panel (E)	1
Panel (F)	1
Panel (G)	1

## STEP 2

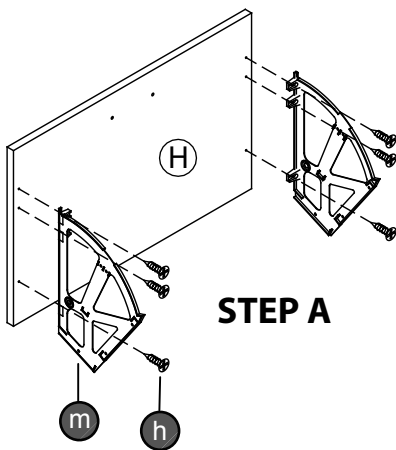
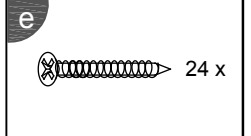
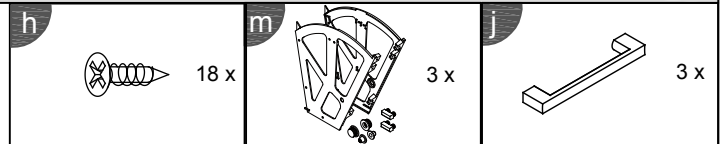


Don't screw too deep

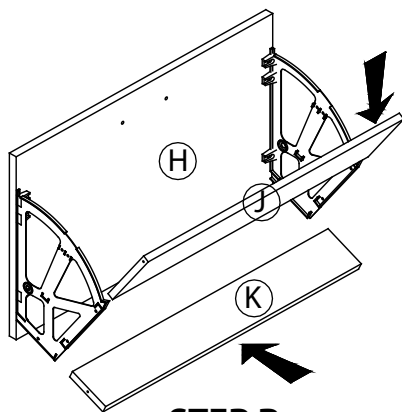


Parts Required	Qty
Panel (C)	1

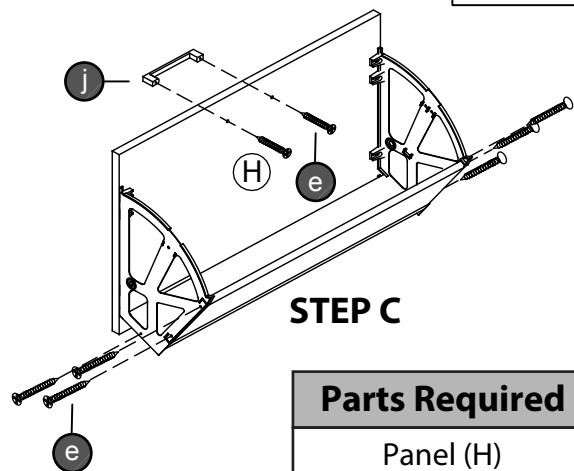
## STEP 3



STEP A



STEP B

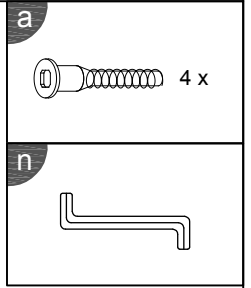
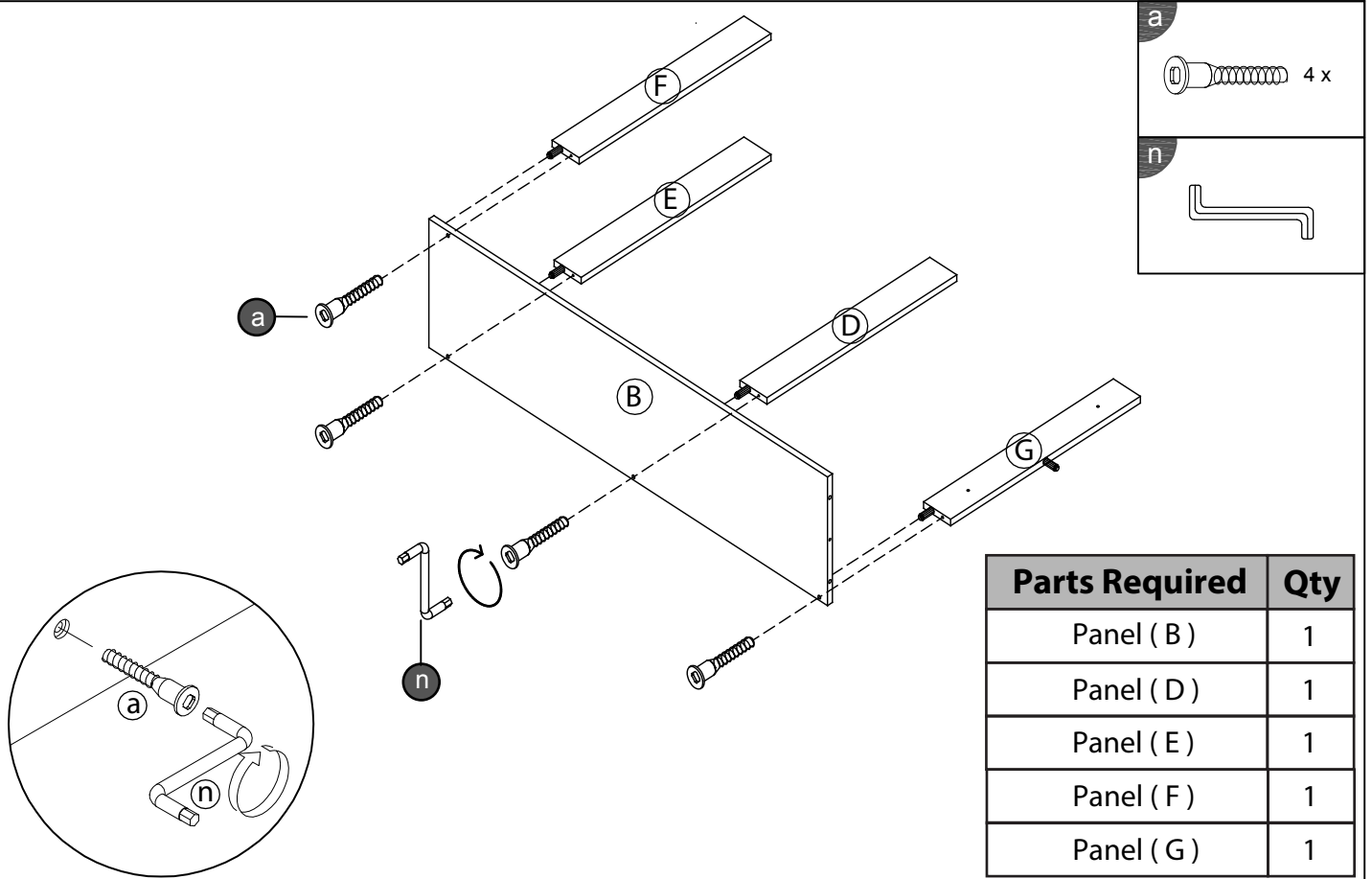


STEP C

Parts Required	Qty
Panel (H)	3
Panel (K)	3
Panel (J)	3

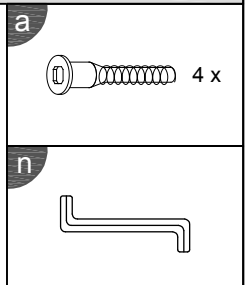
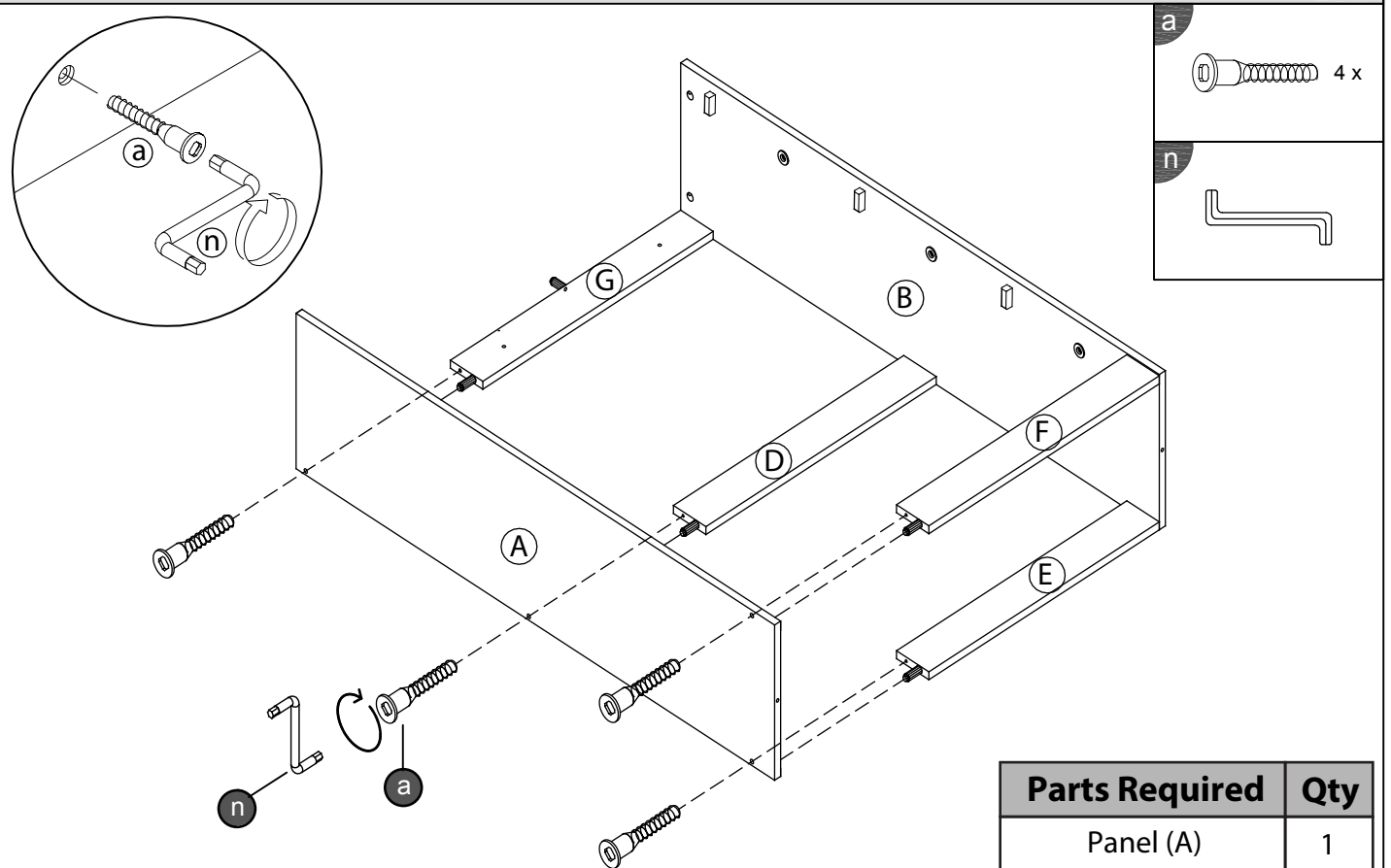
**X3**

## STEP 4



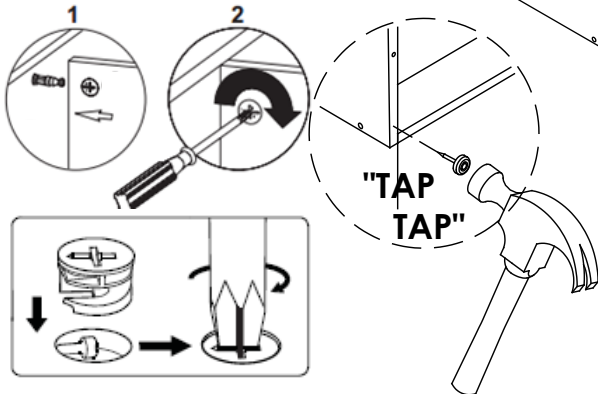
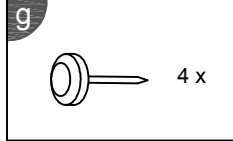
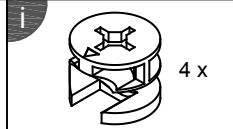
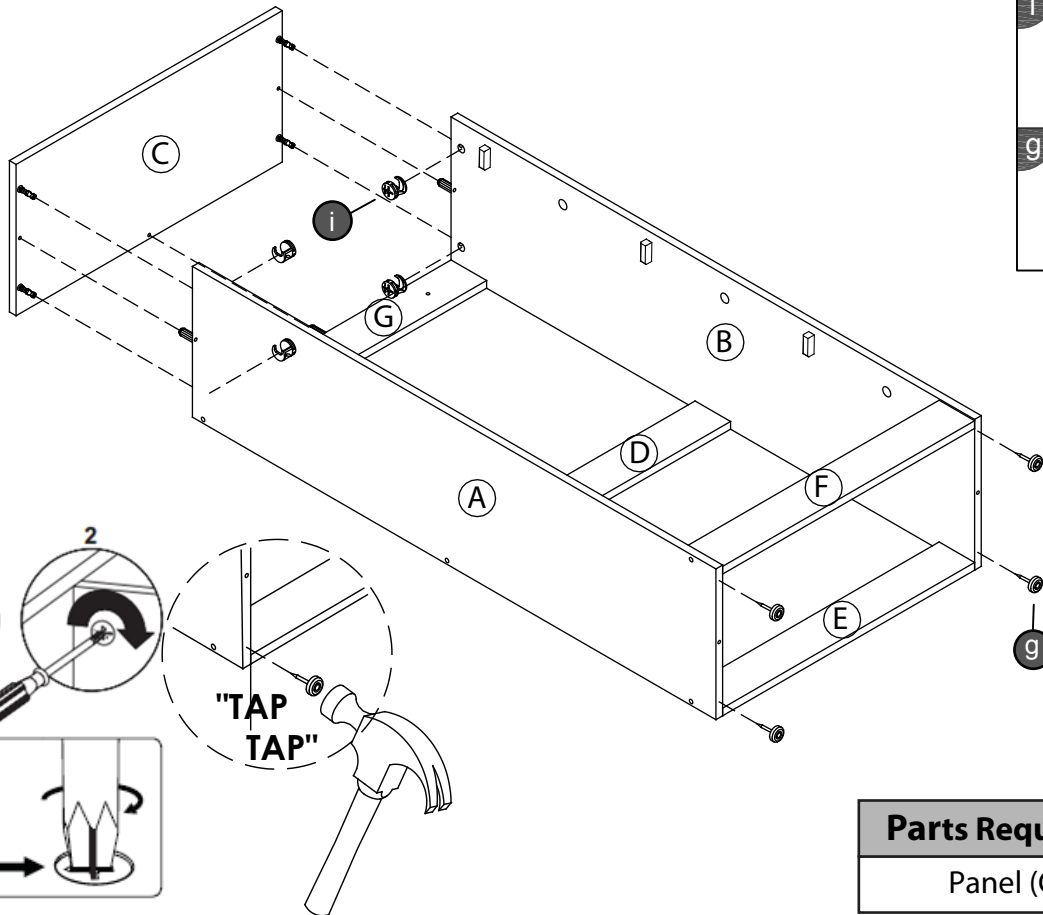
Parts Required	Qty
Panel ( B )	1
Panel ( D )	1
Panel ( E )	1
Panel ( F )	1
Panel ( G )	1

## STEP 5



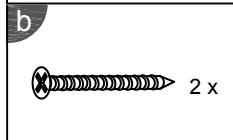
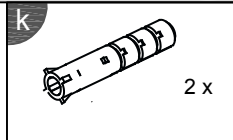
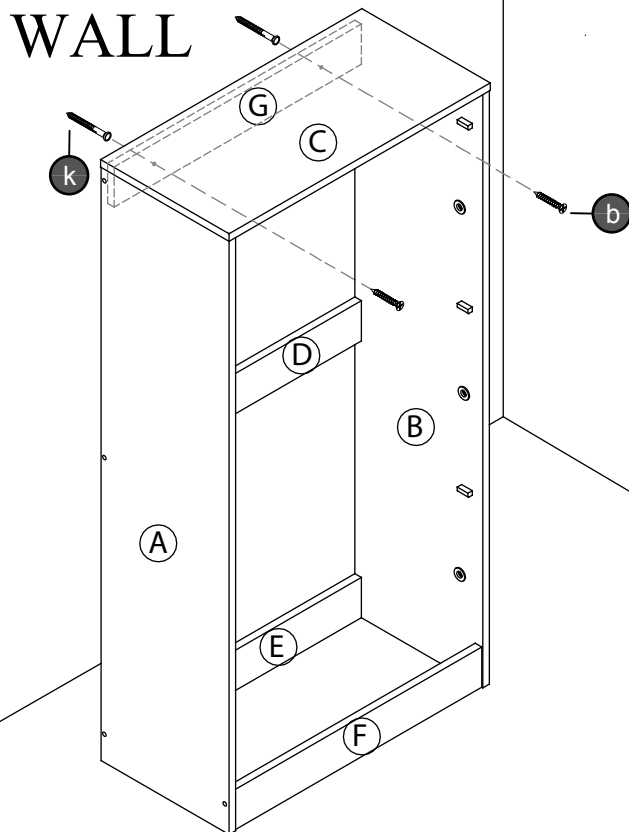
Parts Required	Qty
Panel ( A )	1

# STEP 6



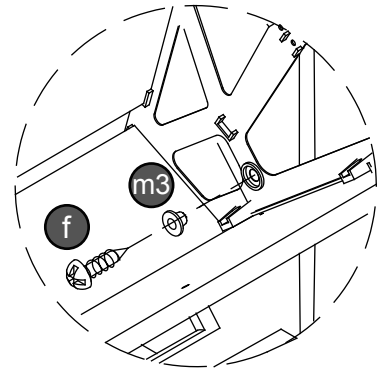
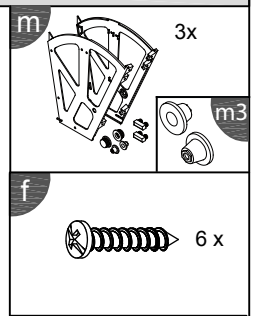
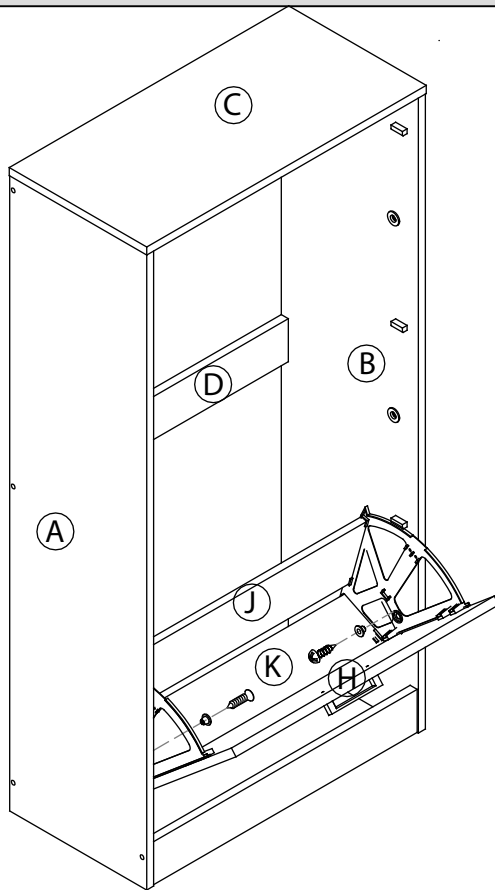
# STEP 7

WALL



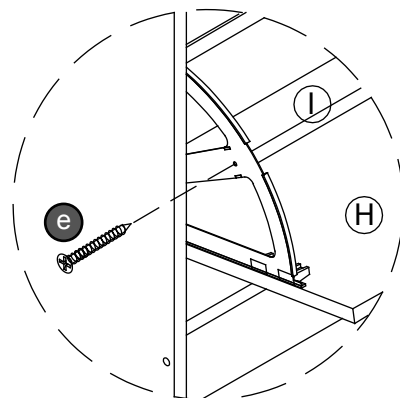
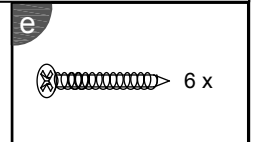
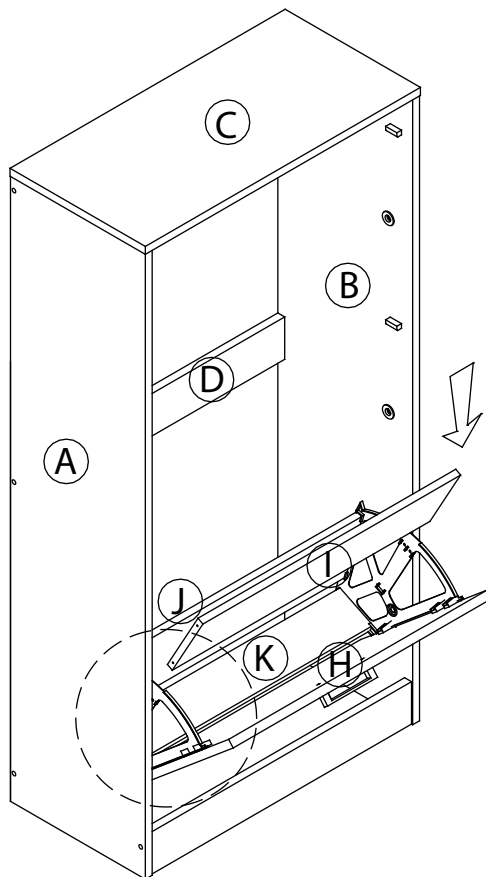


**STEP 8**



**X3**

**STEP 9**



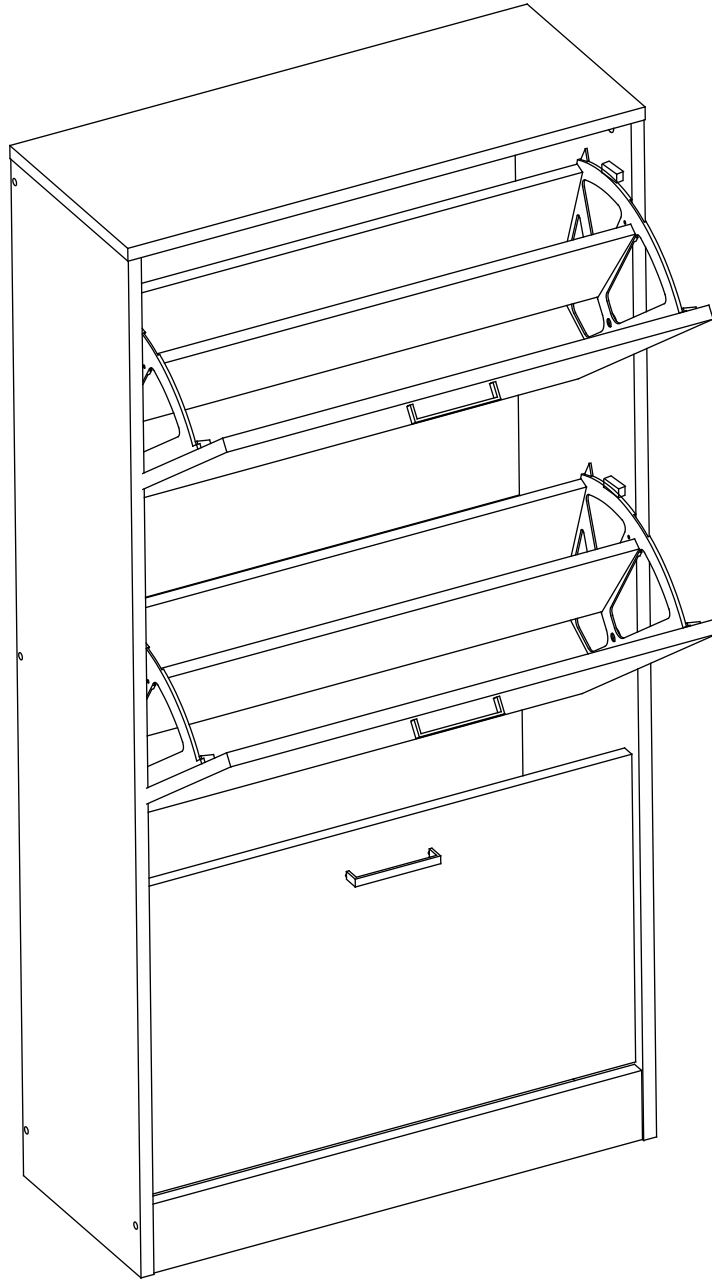
**X3**

Parts Required	Qty
Panel (L)	2

## Complete Assembly

Your **STIRLING 3 TIER SHOE CABINET** is now completely assembled

Periodically check to ensure that the components are in their proper position, free from damage. Also, make sure the connectors are tight and secure.



Keep instructions for future reference

