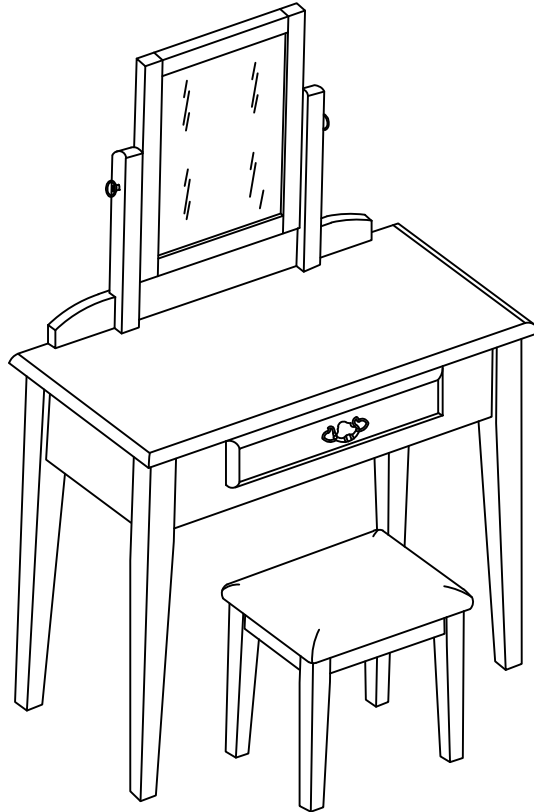


# SHAKER DRESSER & STOOL

## ASSEMBLY INSTRUCTIONS

Thank you for purchasing the SHAKER DRESSER & STOOL. Please read the instructions carefully to ensure safe operation of the product.



Size: W710 x D400 x H1285mm  
Colour: BLACK,WHITE,GREY

---

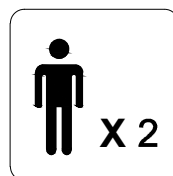
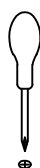
PLEASE READ this sheet prior to assembly to familiarise yourself with the various stages of construction.

Carefully open the pack supplied and check the contents against the parts and fittings check list. Do not destroy any of the packaging until you are certain that you have all the necessary parts for the assembly.

CAUTION: There are small components used in the construction of this unit. These loose items should be kept away from young children whilst assembling your unit to avoid the danger of choking hazards.

---

### Tools Required



30 Min  
Set Up

Batch No.:V2 - 07/20

Page 1 of 10

# SHAKER DRESSER & STOOL

## ASSEMBLY INSTRUCTIONS

**IMPORTANT - READ CAREFULLY - RETAIN THESE INSTRUCTIONS FOR FUTURE REFERENCE.**

### INFORMATION

- This product is intended for a maximum weight of 30 kg. Do not exceed this weight.
- Due to the size of this product we recommend that it is assembled in the room intended for use.
- When you are ready to start, make sure that you have the right tools. plenty of space and a clean, dry area for assembly.
- Unwrap all packaging materials and place the components on top of the carton box or on a clean floor to prevent it from scratching.
- Check the pack and make sure you have all the parts listed.
- Ensure that this product is fully assembled as illustrated before use.
- Check all screws or bolts are tightened and inspect regularly.
- This product should only be used on firm, level ground.
- Keep small parts out of reach of children.
- Make sure the legs remain in contact with the ground.
- Tools not included.

### WARNING

- DO NOT use power tools to construct this product.
- DO NOT tighten screws until fully assembled.
- DO NOT over tighten screws or bolts.
- DO NOT use this product if parts are missing,damaged or worn.
- DO NOT sit or stand on the product.
- DO NOT place very hot or very cold items on the glass surface(s) unless adequately thick tablemats are used to prevent such items from coming into contact with the glass.
- DO NOT strike the glass with hard or pointed items, or use the glass as a chopping surface.
- If a glass component is chipped or broken,stop using the product and consult the manufacturer or supplier.

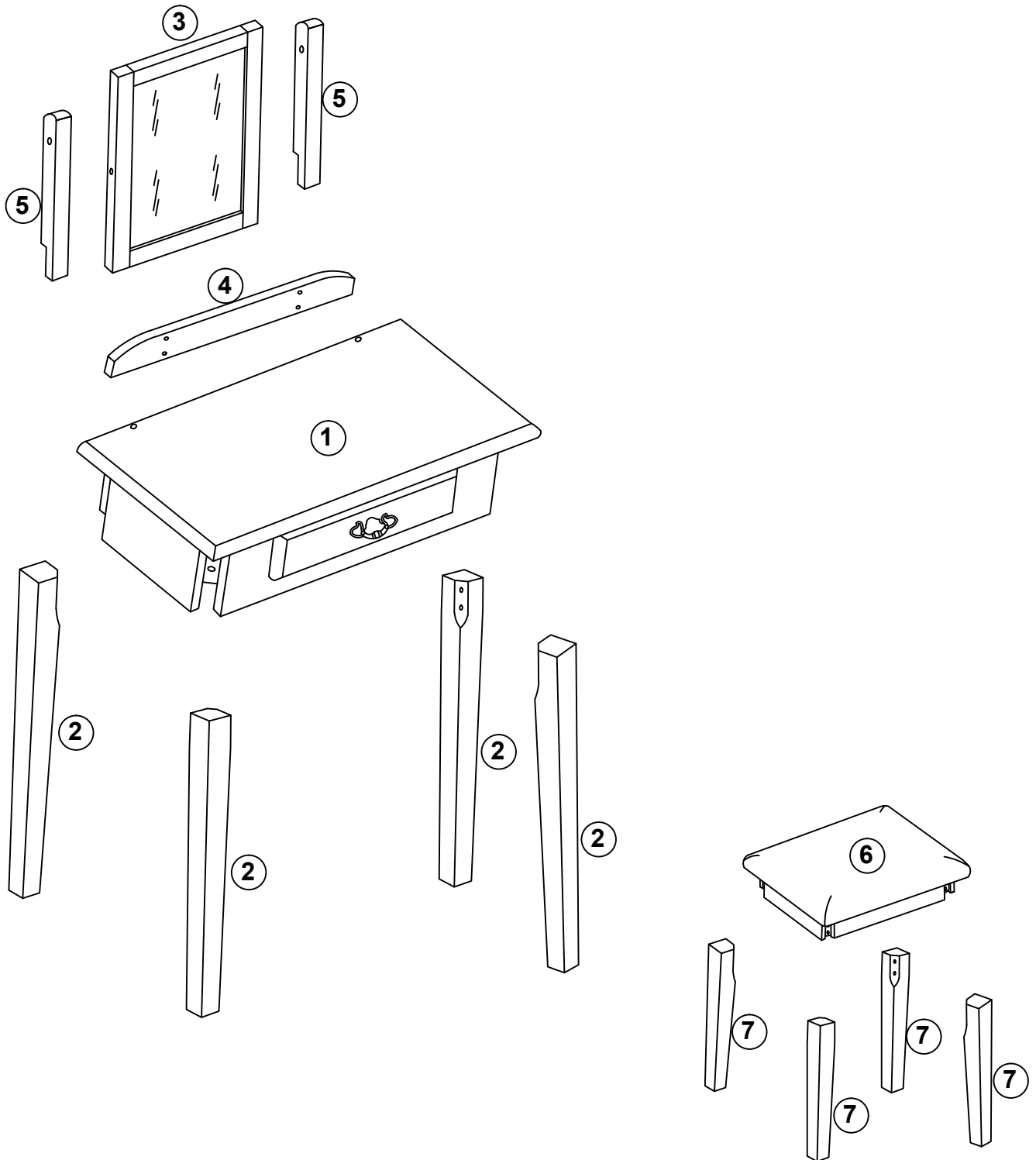
### CARE INFORMATION

- Never use scourers, abrasives or chemical cleaners.
- To clean wipe with a sponge and warm soapy water. Do not use solvent based cleaners or detergents as they can bleach or damage the product.
- When cleaning glass panels or mirrors use a damp cloth with washing up liquid or soft soap if necessary; do not use washing powders or any other substances containing abrasives since these substances scratch glass.

# SHAKER DRESSER & STOOL

## ASSEMBLY INSTRUCTIONS

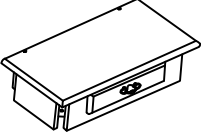

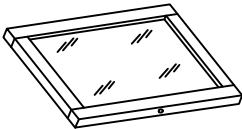

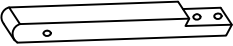
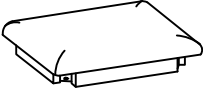

Please check the pack contents before assembling this product. If any components are missing, please contact your retailer. The fittings pack contains small items that should be kept away from small children.



# SHAKER DRESSER & STOOL

## ASSEMBLY INSTRUCTIONS

### Parts

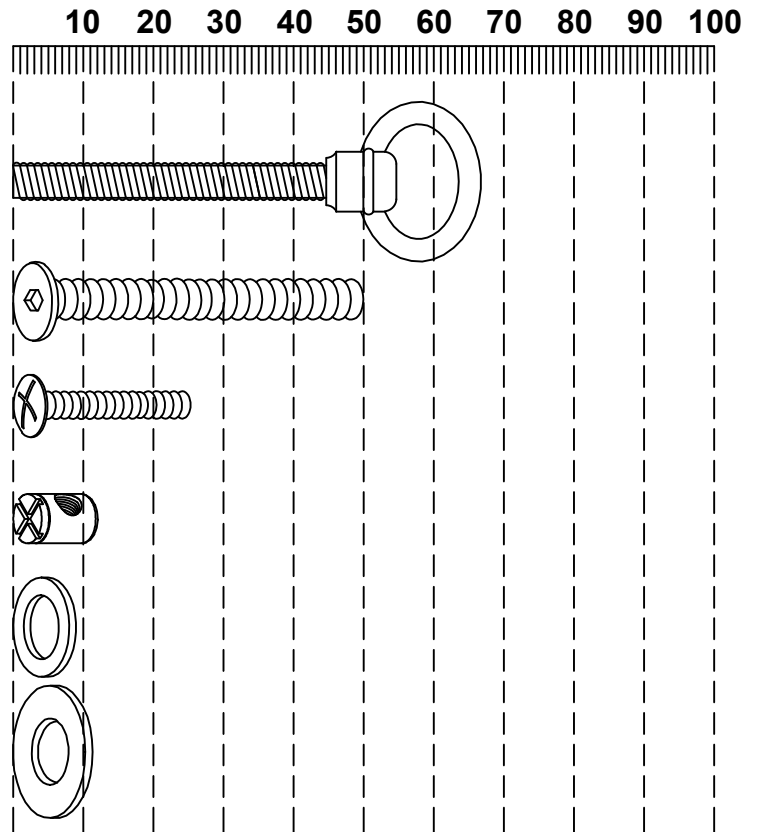
<p><b>1</b></p> 	<p><b>2</b></p> 	<p><b>3</b></p> 	<p><b>4</b></p> 
<p>Descripton: Dresser Top Qty: 1PC Dimensions: 710x400x163mm</p>	<p>Descripton: Dresser Leg Qty: 4PCS Dimensions: 740x45x45mm</p>	<p>Descripton: Mirror Qty: 1PC Dimensions: 430x310x20mm</p>	<p>Descripton: Base Mirror Support Qty: 1PC Dimensions: 606x76x15mm</p>
<p><b>5</b></p> 	<p><b>6</b></p> 	<p><b>7</b></p> 	
<p>Descripton: Mirror Support Qty: 2PCS Dimensions: 395x25x25mm</p>	<p>Descripton: Stool Top Qty: 1PC Dimensions: 495x375x120mm</p>	<p>Descripton: Stool Leg Qty: 4PCS Dimensions: 380x45x45mm</p>	

# SHAKER DRESSER & STOOL

## ASSEMBLY INSTRUCTIONS

### Fittings (to scale)

Ref	Dimensions	Qty
<b>A</b>	Mirror Bolt (5/16"x45mm)	<b>2</b>
<b>B</b>	Bolt (1/4"x50mm)	<b>18</b>
<b>C</b>	Small Bolt (M4 x 25mm)	<b>4</b>
<b>D</b>	Barrel Nut (1/4"x13mm)	<b>2</b>
<b>E</b>	Small Washer (1/4"x13mm)	<b>6</b>
<b>F</b>	Large Washer (5/16"x19mm)	<b>16</b>



### (Not to scale)

Ref	Dimensions	Qty
<b>G</b>	Allen Key (4mm)	<b>1</b>

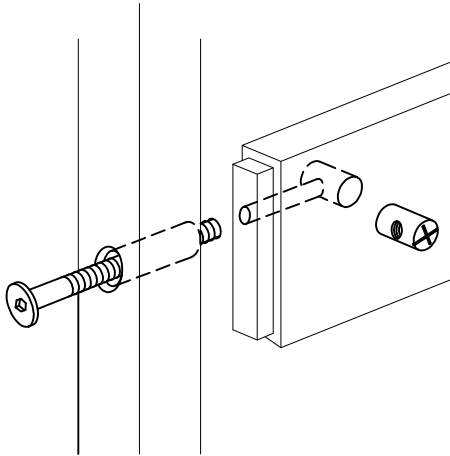


**CAUTION:** There are many small components used in the construction of this product. Please keep these components away from young children whilst assembling this product.

If you keep the fittings in a bowl during assembly you will be less likely to lose them!

# SHAKER DRESSER & STOOL ASSEMBLY INSTRUCTIONS

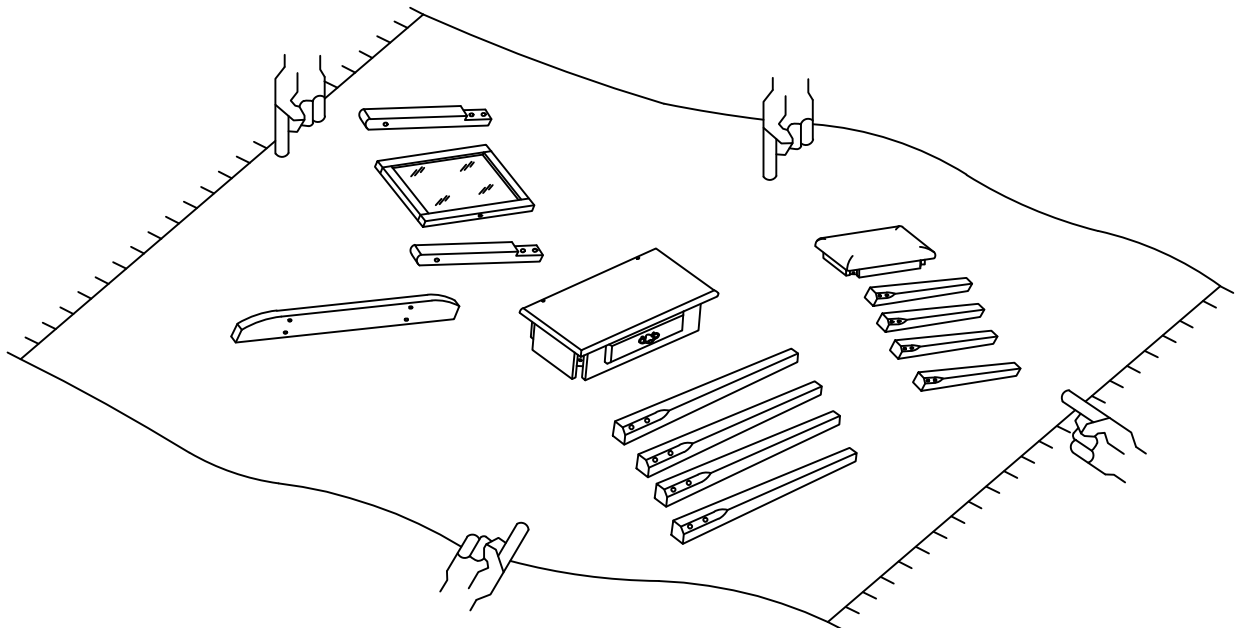
## Hints and Tips



The Barrel nut must be inline with the bolt. After insertion the bolt will thread through the nut to secure.

## Layout Parts on Soft Surface

Lay out all parts on a soft surface i.e. Rug, Carpet or Packaging Carton



# SHAKER DRESSER & STOOL ASSEMBLY INSTRUCTIONS

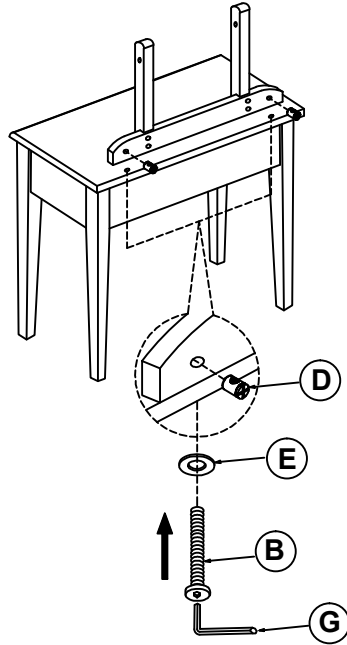
STEP 1	Parts Required
	<ul style="list-style-type: none"> <li>1. Dresser Top x 1</li> <li>2. Dresser Leg x 4</li> <li>B. Large Bolt x 8</li> <li>F. Large Washer x 8</li> <li>G. Allen Key x 1</li> </ul>

STEP 2	Parts Required
	<ul style="list-style-type: none"> <li>4. Base Mirror Support x 1</li> <li>5. Mirror Support x 2</li> <li>C. Small Bolt x 4</li> <li>E. Small Washer x 4</li> </ul>

# SHAKER DRESSER & STOOL ASSEMBLY INSTRUCTIONS

## STEP 3

## Parts Required

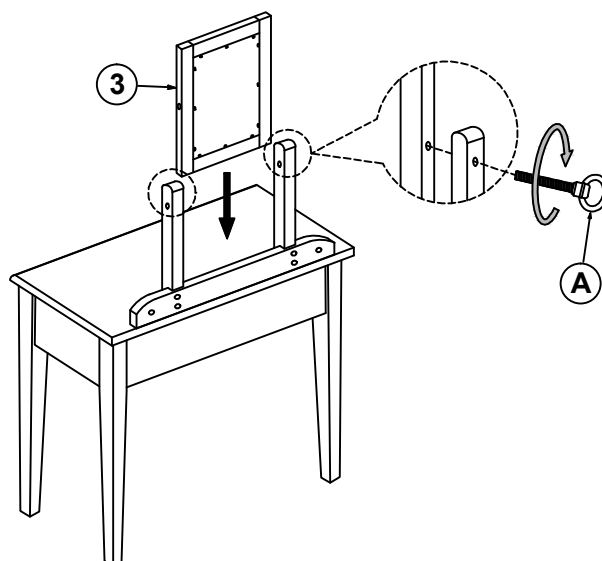


- B. Large Bolt x 2
- E. Small Washer x 2
- D. Barrel Nut x 2
- G. Allen Key x 1

Ensure the barrel nut is lined up with the bolt when fitting.

## STEP 4

## Parts Required



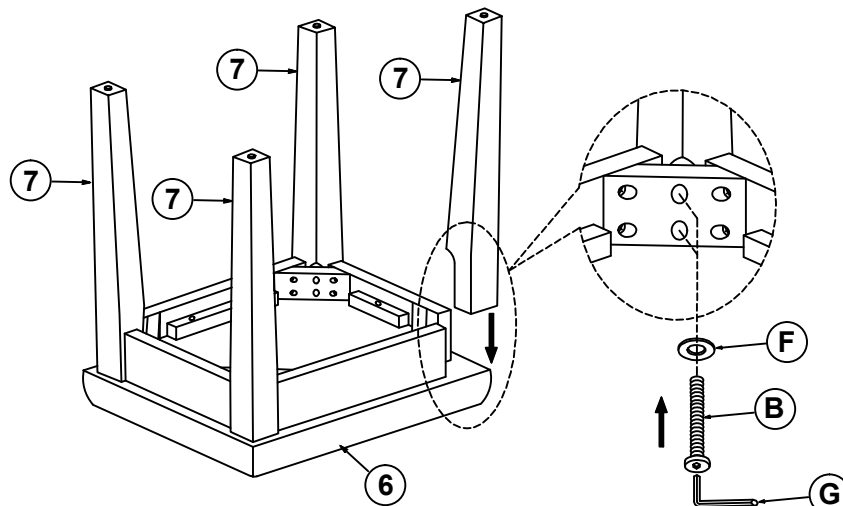
- 3. Mirror x 1
- A. Mirror Bolt x 2



# SHAKER DRESSER & STOOL ASSEMBLY INSTRUCTIONS

## STEP 5

## Parts Required



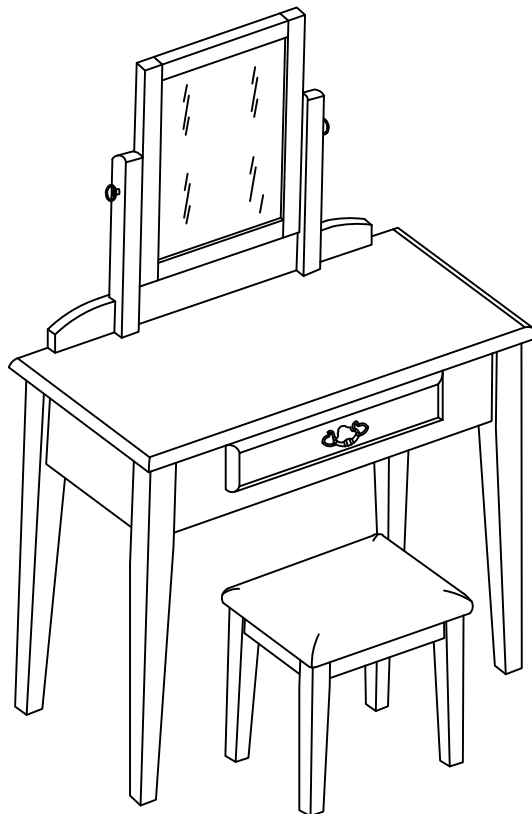
- 6. Stool Top x 1
- 7. Stool Leg x 4
- B. Large Bolt x 8
- F. Large Washer x 8
- G. Allen Key x 1

# SHAKER DRESSER & STOOL ASSEMBLY INSTRUCTIONS

## Complete Assembly

Your SHAKER DRESSER & STOOL is now completely assembled.

Periodically check to ensure that the components are in their proper position, free from damage. Also, make sure the connectors are tight and secure.



**Keep instructions for future reference**

