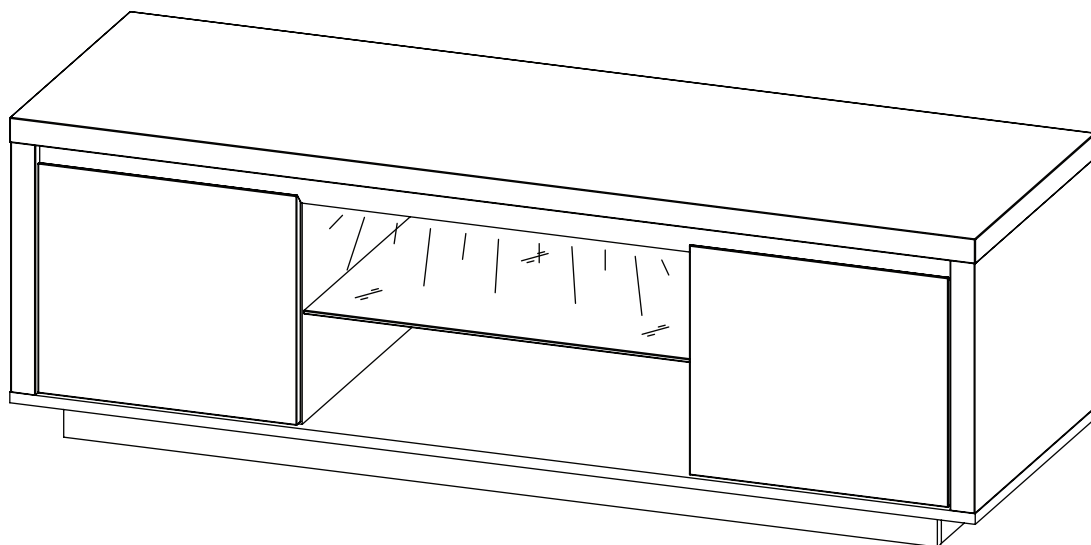


POLAR HIGH GLOSS LED LARGE TV UNIT ASSEMBLY INSTRUCTIONS

Thank you for purchasing the Polar Large TV Unit.

Please read the instructions carefully to ensure safe operation of this product



Size: 136.5 x 45 x 46 cm (WDH)

Colour: White or Grey

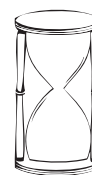
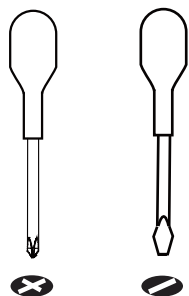
Finish: High Gloss

PLEASE READ this sheet prior to assembly to familiarise yourself with the various stages of construction.

Carefully open the pack supplied and check the contents against the parts and fittings check list. Do not destroy any of the packaging until you are certain that you have all the necessary parts for the assembly.

CAUTION: There are small components used in the construction of this unit. These loose items should be kept away from young children whilst assembling your unit to avoid the danger of choking.

Tools Required



1 Hr
Set Up

Version 1 - 200707

PO No: _____

Page 1 of 14

IMPORTANT - READ CAREFULLY - RETAIN THESE INSTRUCTIONS FOR FUTURE REFERENCE.

INFORMATION

- This product is designed to hold 25Kg in total, spread evenly over the whole unit.
- Do not exceed this weight.
- Never sit on this product or drag it across the floor as doing this can damage the joints.
- We recommend that this unit is assembled in the room intended for use.
- When you are ready to start, make sure that you have the right tools, plenty of space and a clean, dry area for assembly.
- Unwrap all packaging materials and place the components on top of the carton box or on a clean floor to prevent them from scratching.
- Check the pack and make sure you have all the parts listed.
- Ensure that this product is fully assembled as illustrated before use.
- Check all screws or bolts are tightened and inspect regularly
- Tools not included unless specified in parts list.

WARNINGS

- DO NOT use power tools to construct this product.
- DO NOT tighten screws until parts are assembled or as advised in this guide.
- DO NOT over tighten screws or bolts.
- DO NOT use this product if parts are missing, damaged or worn.

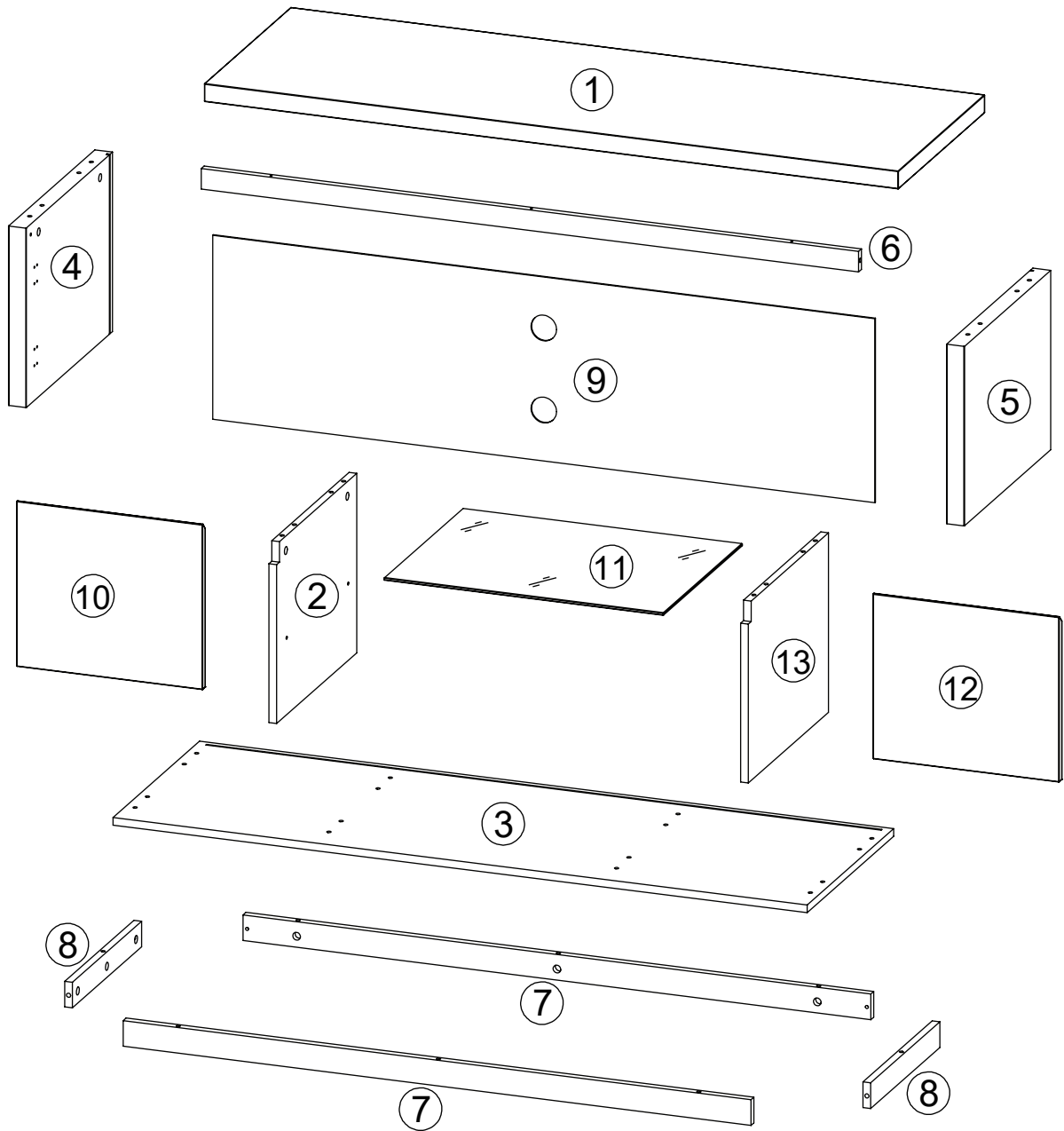
CARE INFORMATION

- To clean, wipe with a damp cloth.
- Never use scourers, abrasives or chemical cleaners as surface shall be scratched.
- Do not use solvent based cleaners or detergents as they can bleach or damage the paint.

Parts and Fittings Checklist

Please check the pack contents before assembling the product. If any components are missing, please contact your retailer.

The fittings pack contains small items that should be kept away from children.



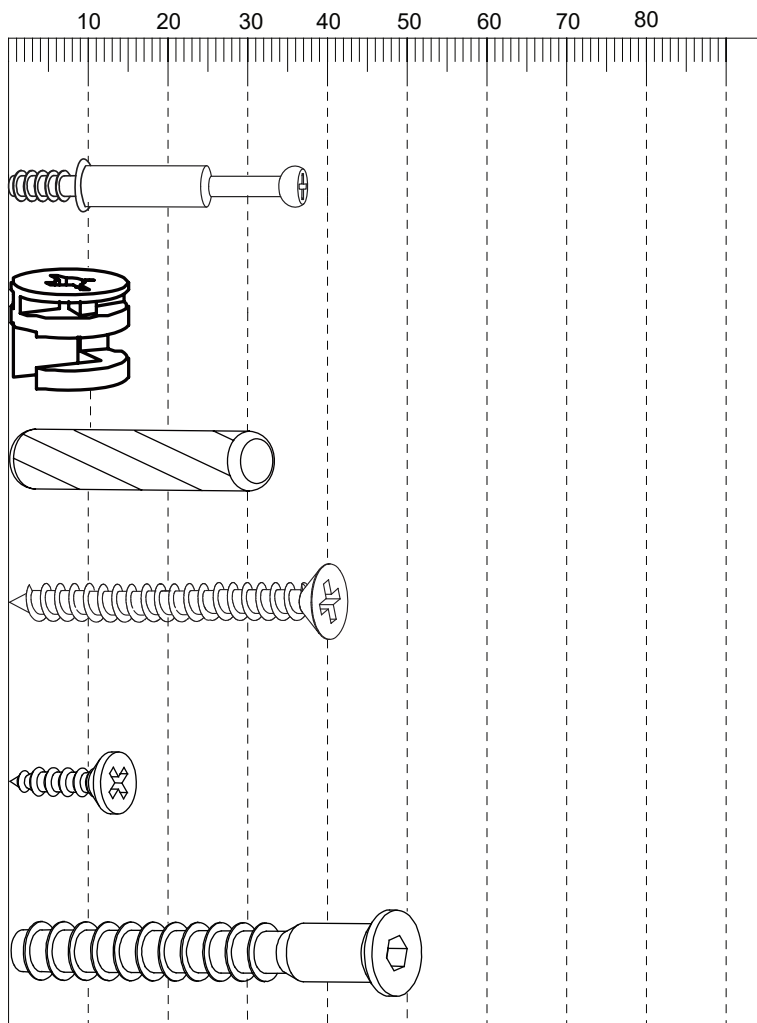
POLAR HIGH GLOSS LED LARGE TV UNIT ASSEMBLY INSTRUCTIONS

All parts are packed in one carton

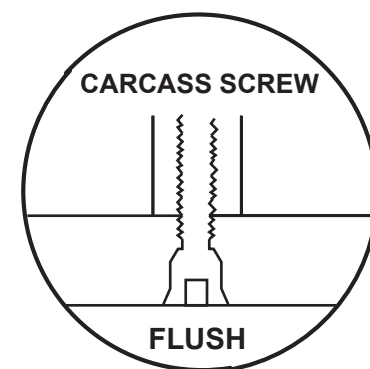
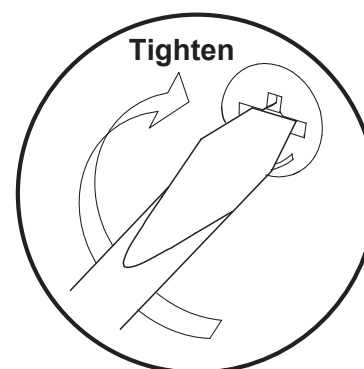
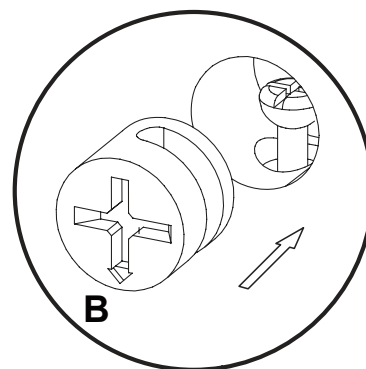
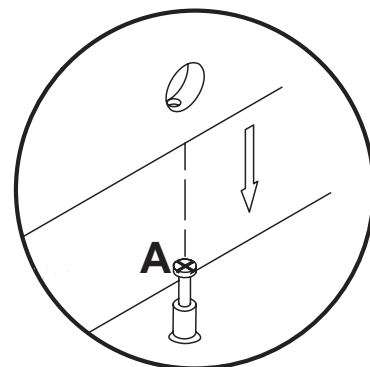
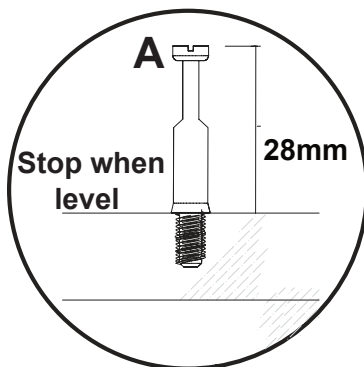
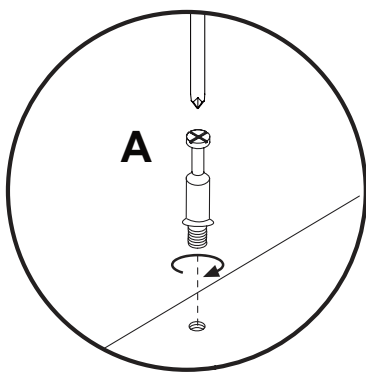
1	2	3
Description: Top Panel Qty: 1 Size: 1365 x 450 x 35 mm Carton No: 1/1	Description: LH Centre Upright Qty: 1 Size: 416 x 350 x 15 mm Carton No: 1/1	Description: Base Panel Qty: 1 Size: 1365 x 450 x 15 mm Carton No: 1/1
4	5	6
Description: LH Side Panel Qty: 1 Size: 449 x 350 x 35 mm Carton No: 1/1	Description: RH Side Panel Qty: 1 Size: 449 x 350 x 35 mm Carton No: 1/1	Description: Fascia Rail Qty: 1 Size: 1293 x 40 x 15 mm Carton No: 1/1
7	8	9
Description: Front/Rear Plinth Qty: 2 Size: 1236 x 50 x 15 mm No: 1/1	Description: Side Plinth Qty: 2 Size: 360 x 50 x 15 mm Carton No: 1/1	Description: Back Panel Qty: 1 Size: 1303 x 359 x 3 mm Carton No: 1/1
10	11	12
Description: LH Door Qty: 1 Size: 366 x 322 x 15 mm Carton No: 1/1	Description: Glass Shelf Qty: 1 Size: 554 x 410 x 5 mm Carton No: 1/1	Description: RH Door Qty: 1 Size: 366 x 322 x 15 mm Carton No: 1/1
13		
Description: RH Centre Upright Qty: 1 Size: 416 x 350 x 15 mm Carton No: 1/1		

Fittings (to scale)

Code	Item	Quantity
A	Cam Bolt (38mm overall)	22
B	Cam Lock	22
C	Dowel 8x30mm	16
S	Screw for Fixing Fascia Rail to Top Panel 4x40mm	3
T	Screw for Fitting Hinges and Hinge plates. 3.5x12mm	24
U	Carcass Screw for Fitting Centre Upright and Side Panels to Base Panel M7x50mm	8

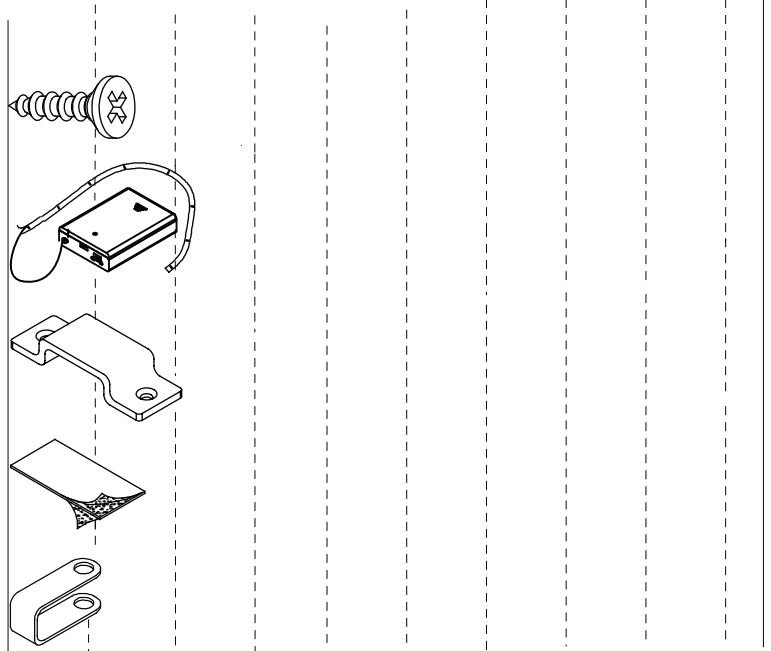


General Hints & Tips



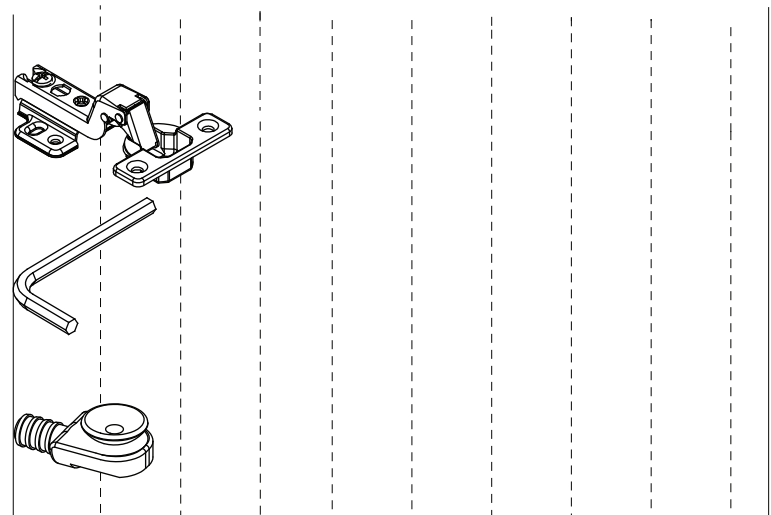
Fittings (packed in each LED pack).

Code	Item	Quantity
G	Screw for LED/Cable Clips	3
H	Battery Box with 25cm LED Strip	1
J	LED Clip	1
K	Battery Box 2 Sided Sticky Pad	1
R	Cable Clip	1



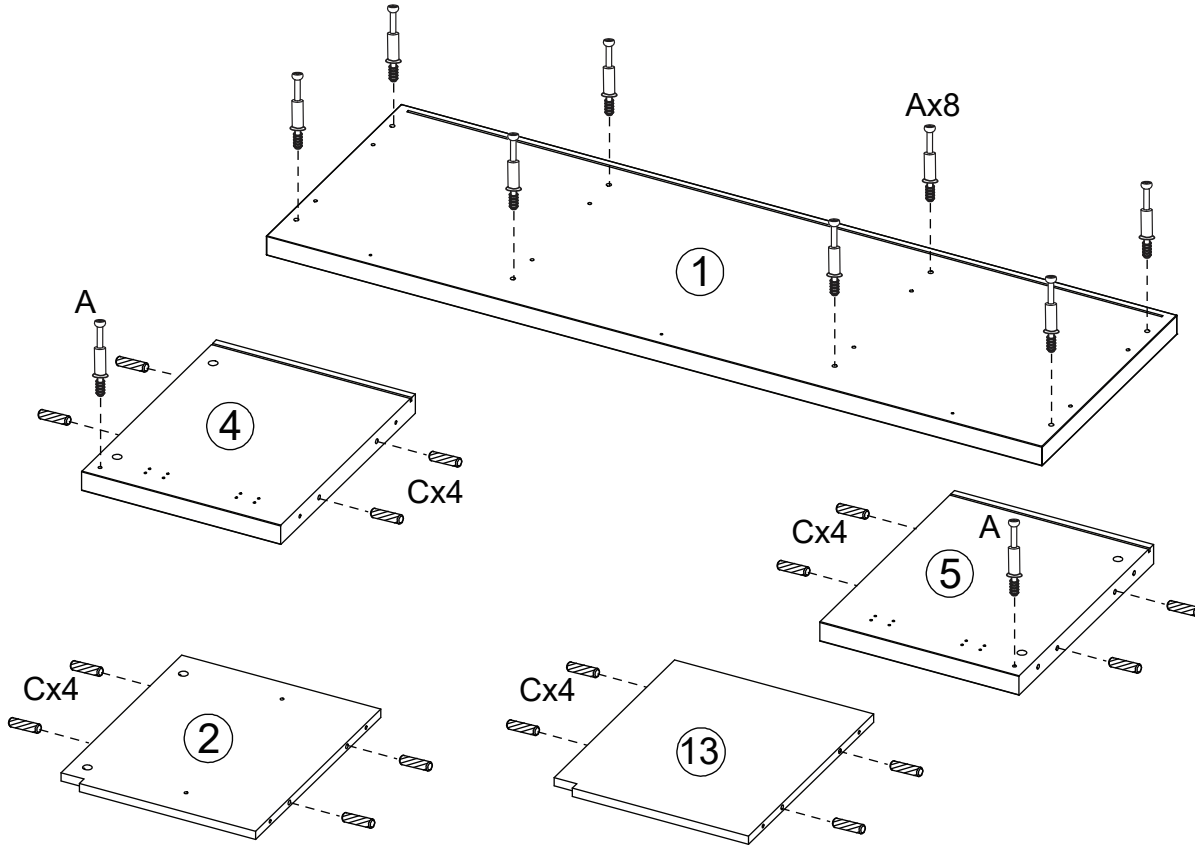
Fittings (not to scale)

Code	Item	Quantity
V	Hinge & Hinge Mounting Plate	4
W	Allen Key (4mm)	1
X	Shelf Support	4

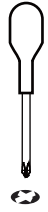


STEP 1

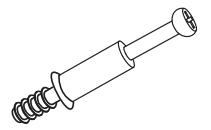
Place top (1) face down on a clean blanket or non-scratch surface.



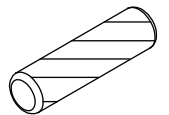
For this step:
Tools required



Fittings required



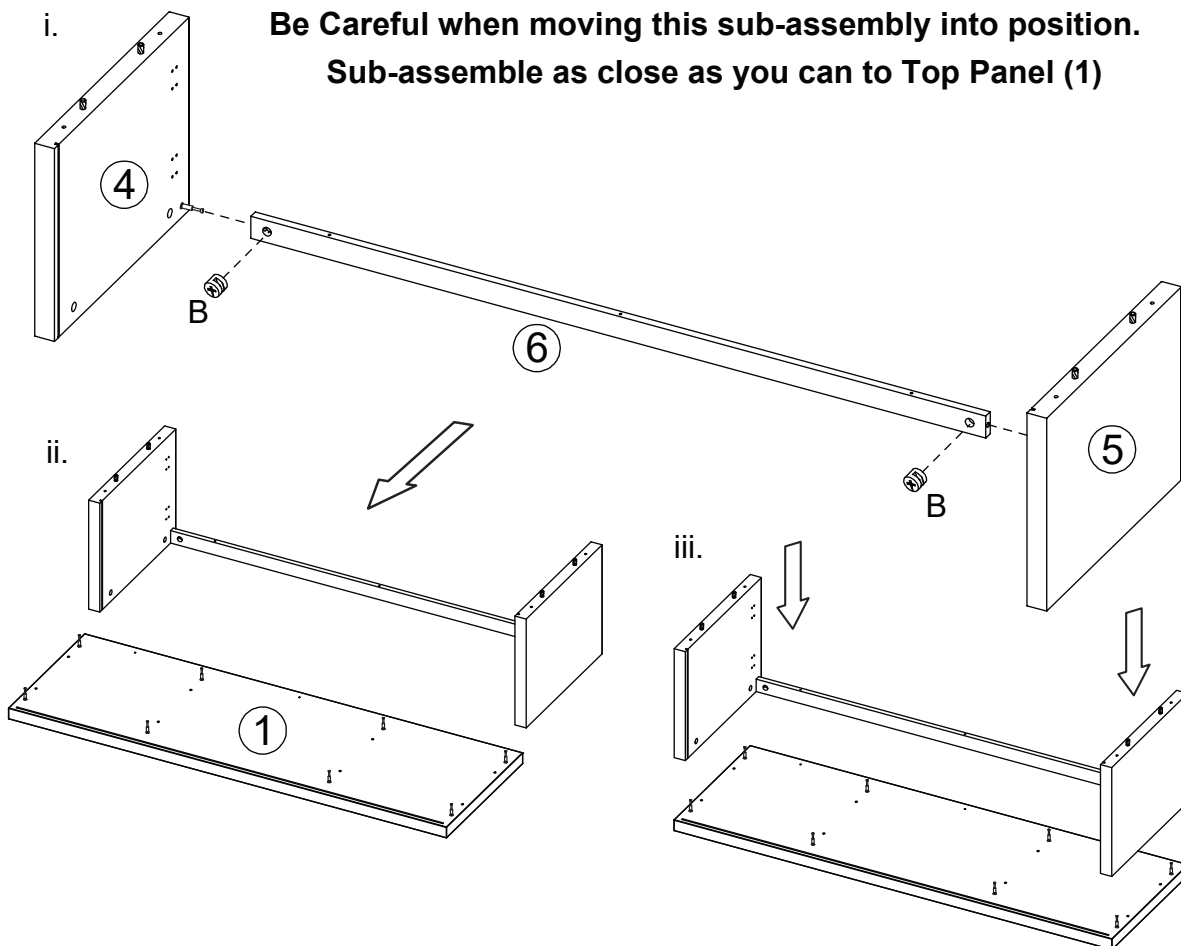
A x10



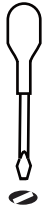
C x16

STEP 2

Be Careful when moving this sub-assembly into position.
Sub-assemble as close as you can to Top Panel (1)



For this step:
Tools required



Fittings required

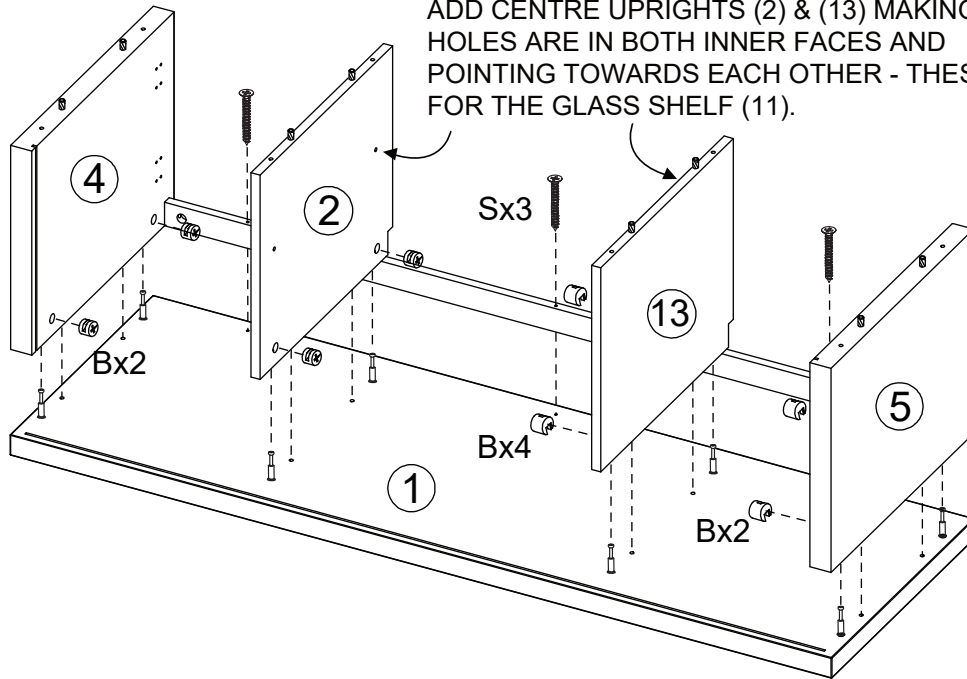


B x2

STEP 3

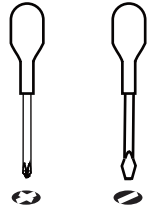
CAREFULLY PLACE (4) & (5) EVENLY IN POSITION

ADD CENTRE UPRIGHTS (2) & (13) MAKING SURE HOLES ARE IN BOTH INNER FACES AND POINTING TOWARDS EACH OTHER - THESE ARE FOR THE GLASS SHELF (11).



For this step:

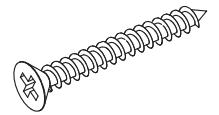
Tools required



Fittings required

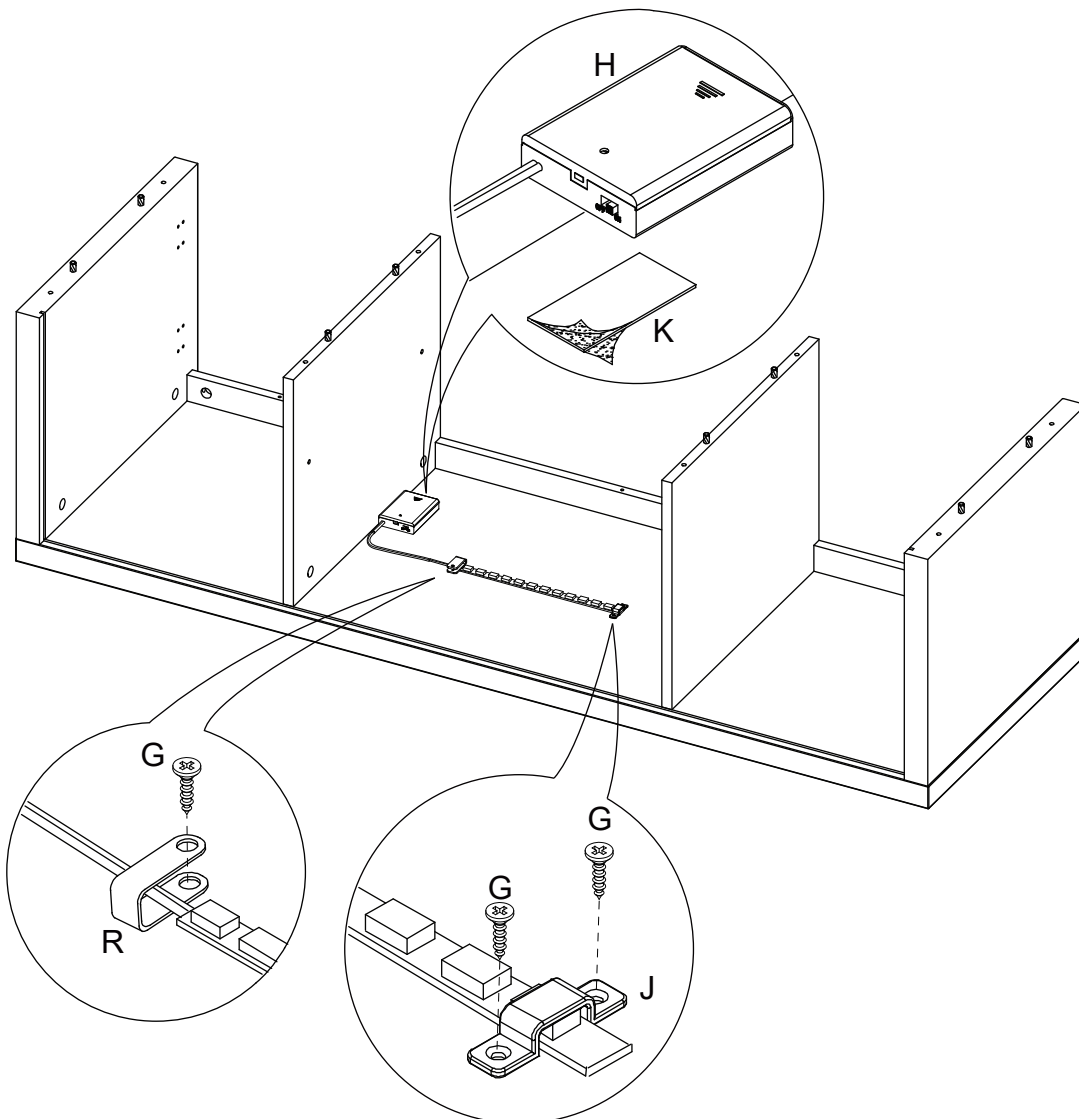


B x 8



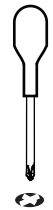
S x 3

STEP 4

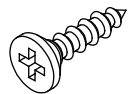


For this step:

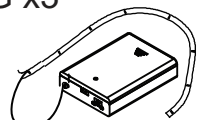
Tools required



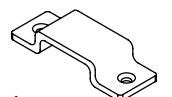
Fittings required



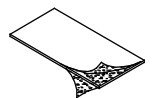
G x 3



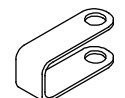
H x 1



J x 1

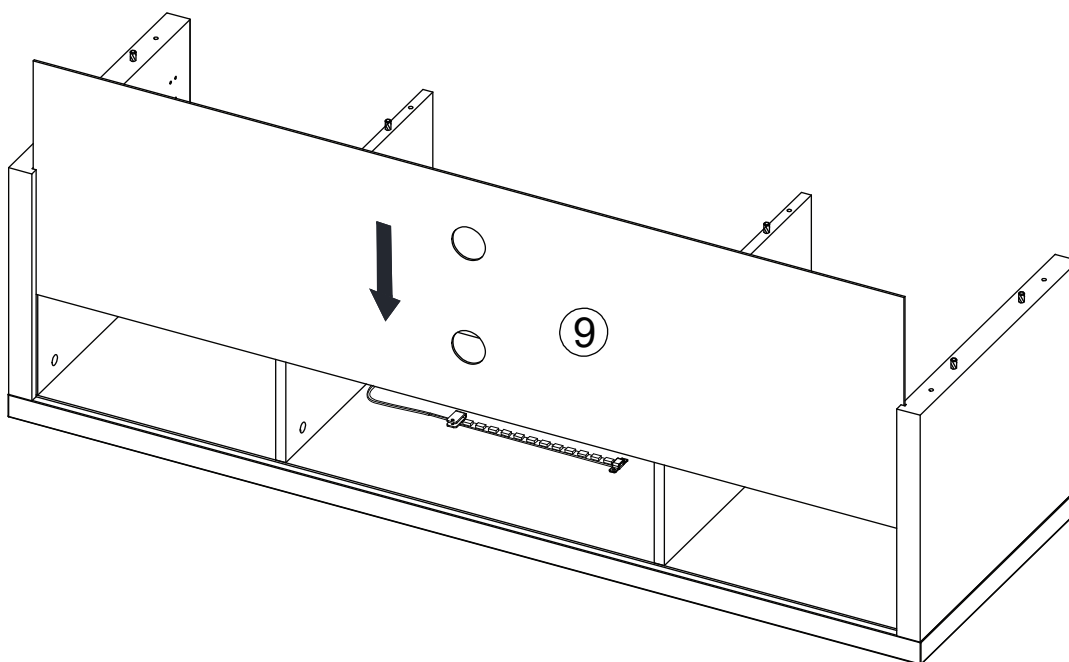


K x 1



R x 1

STEP 5

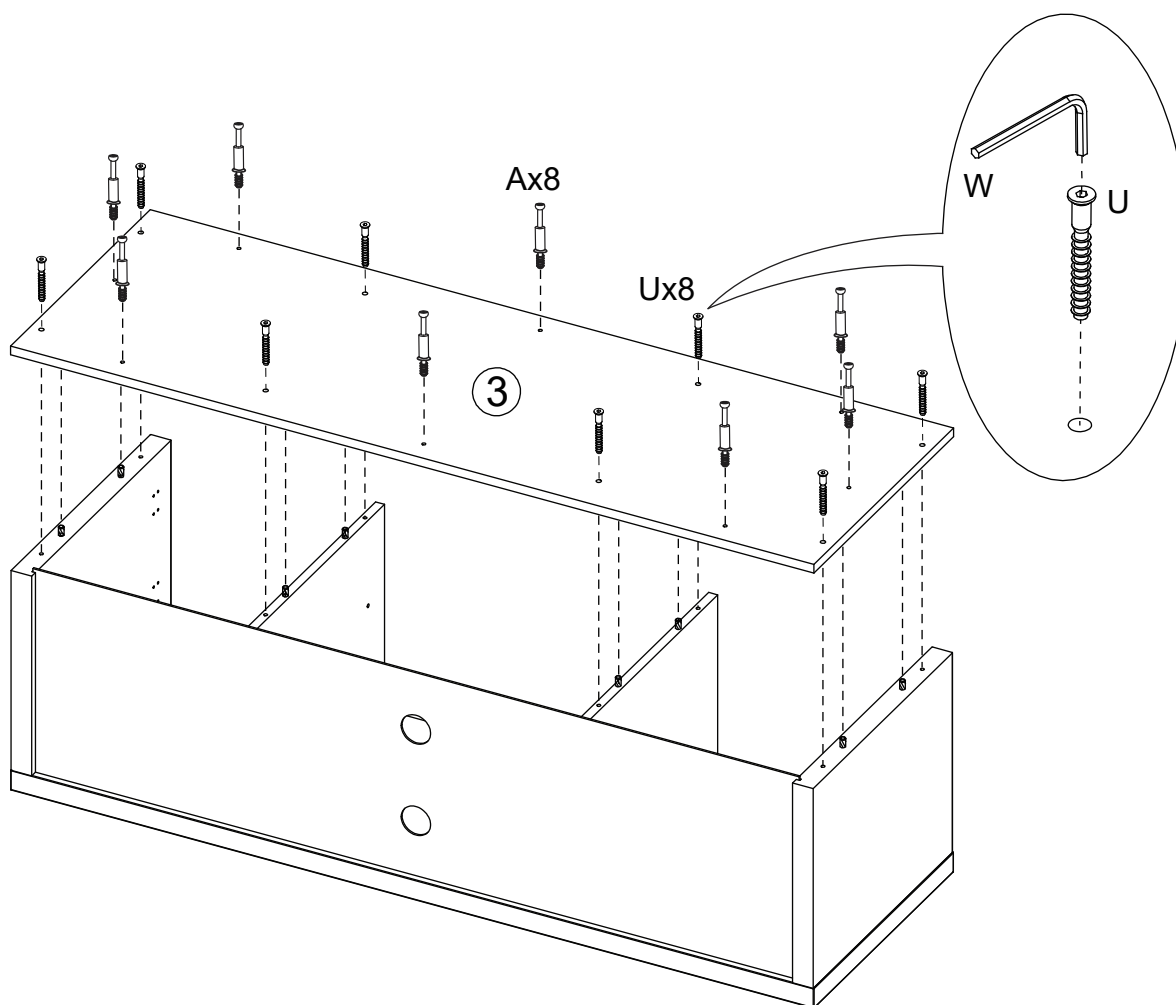


For this step:
Tools required

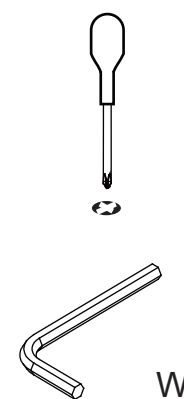
Fittings required

STEP 6

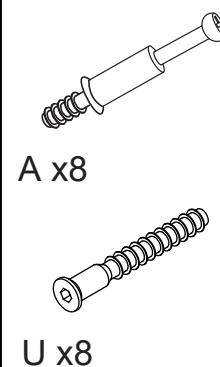
Fit Base Panel using x8 Carcass Screws (U) then fix x8 Cam Bolts (A)



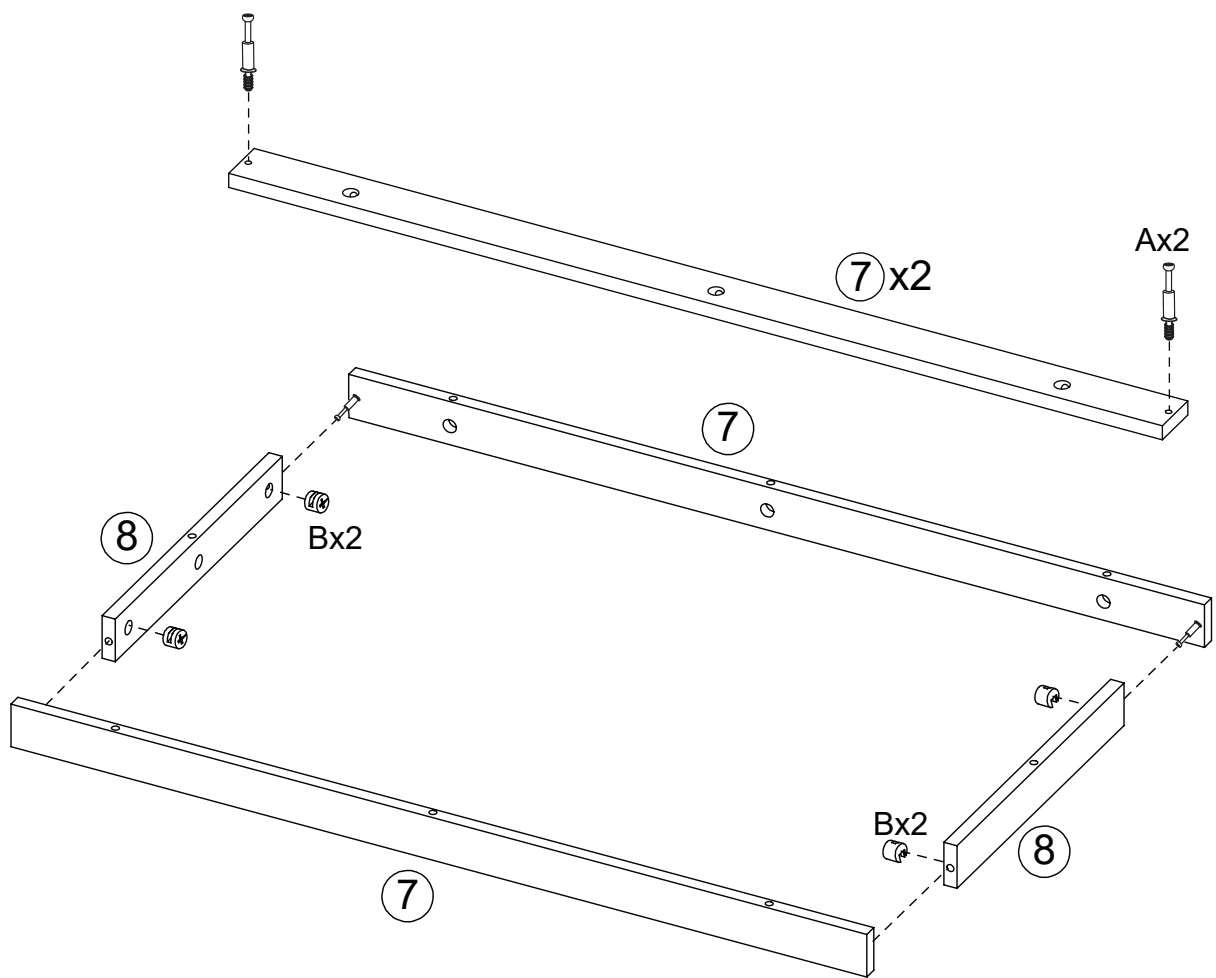
For this step:
Tools required



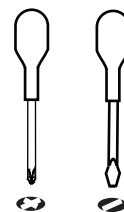
Fittings required



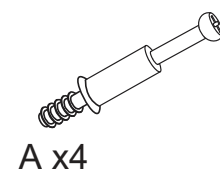
STEP 7



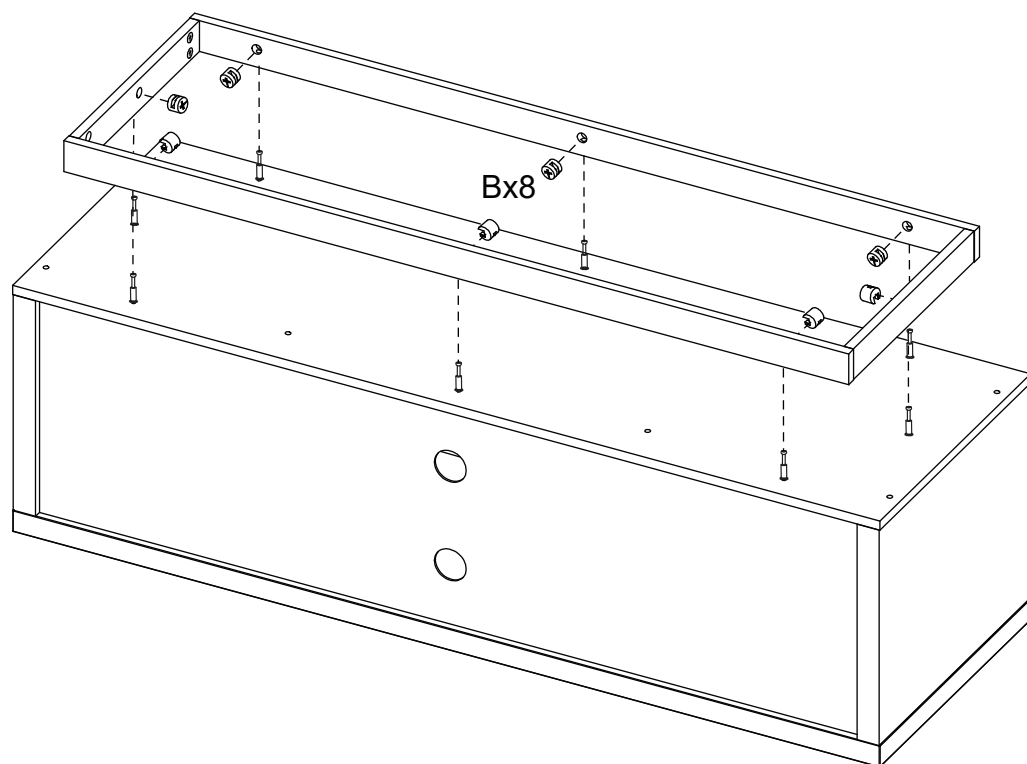
For this step:
Tools required



Fittings required



STEP 8



For this step:
Tools required



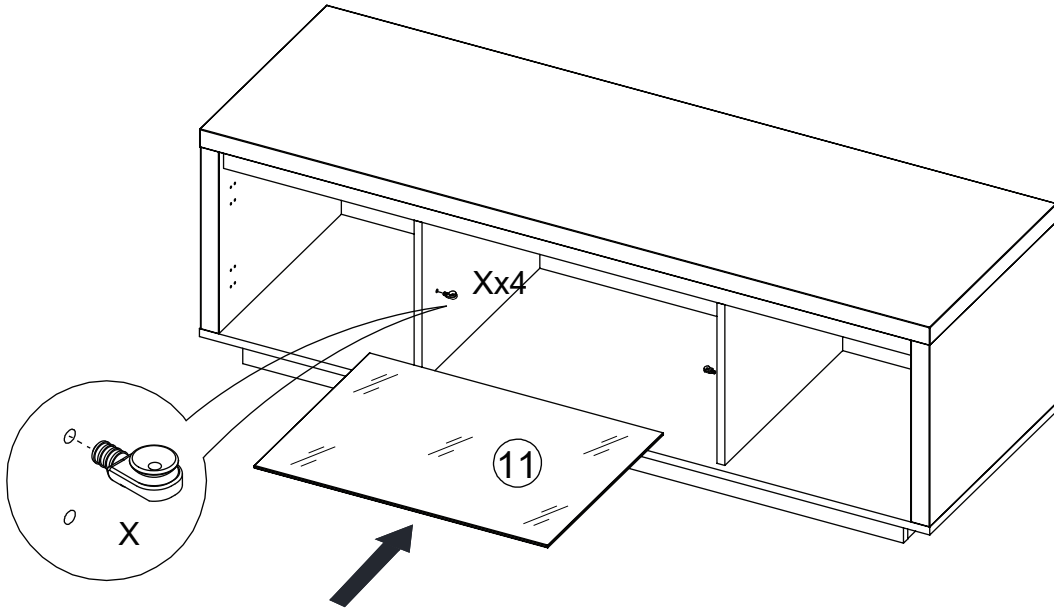
Fittings required



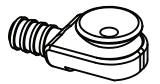
B x8

STEP 9

For this step:
Tools required



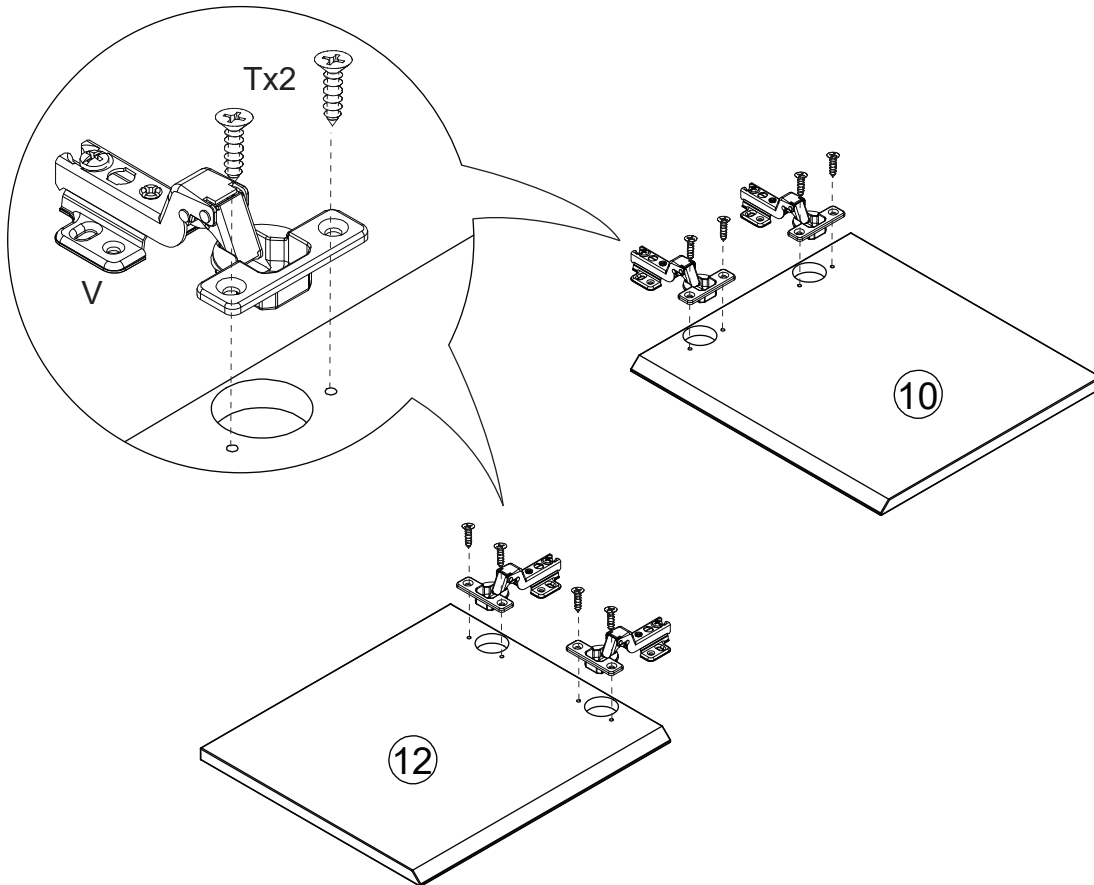
Fittings required



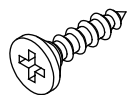
X x4

STEP 10

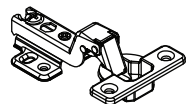
For this step:
Tools required



Fittings required



T x8

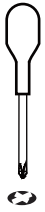


V x4

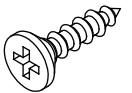
STEP 11

Initially in each door fix 4 screws (T) through the centre of the elongated holes in each hinge plate, screwing into the side panel.

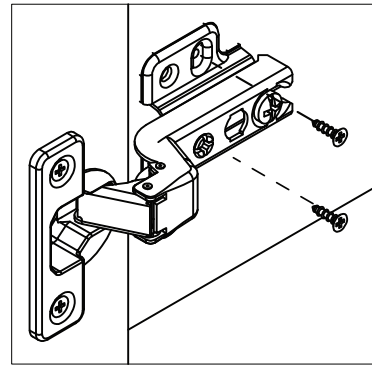
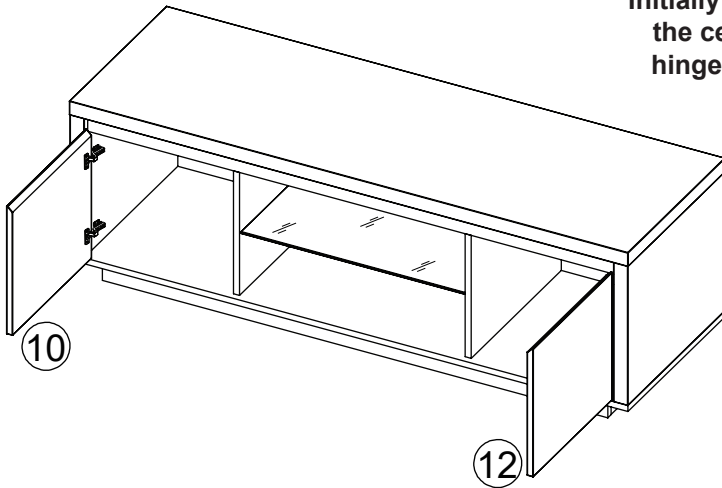
For this step:
Tools required



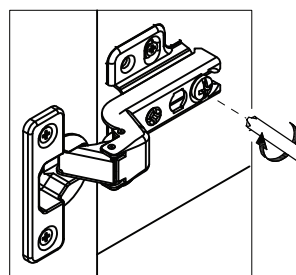
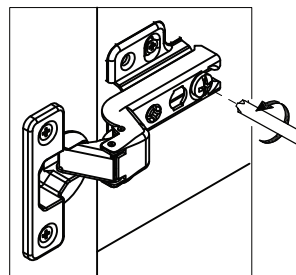
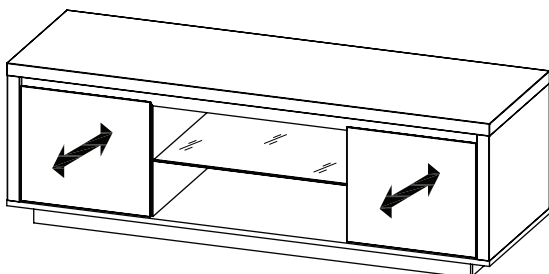
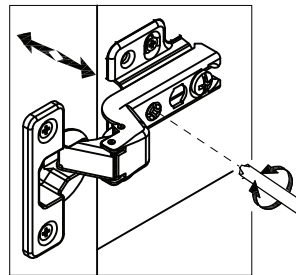
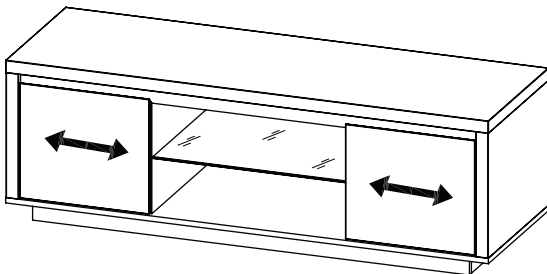
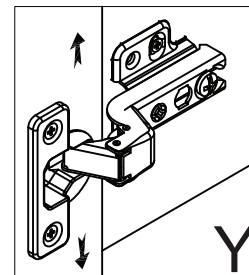
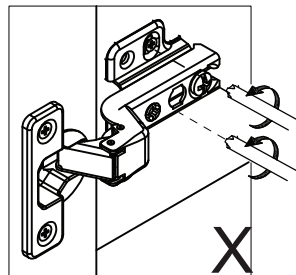
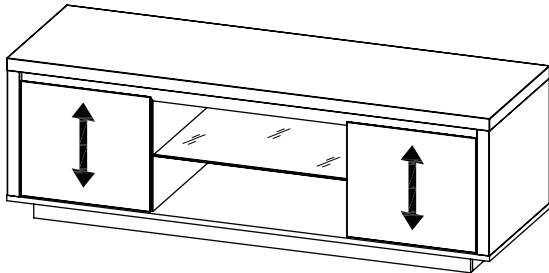
Fittings required



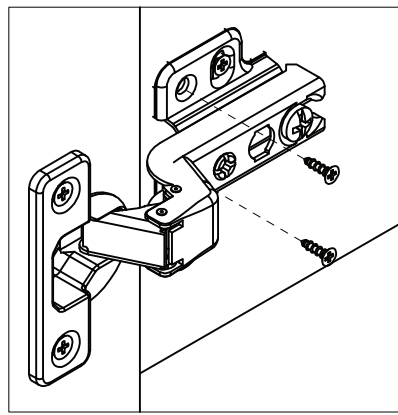
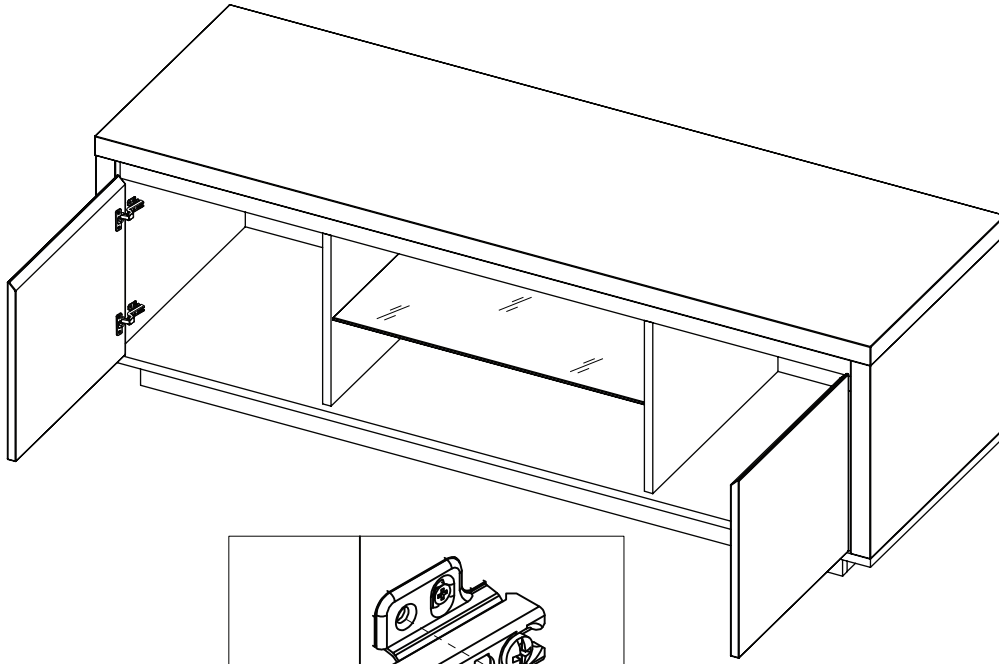
T x8



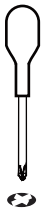
If it is necessary to re-align the door vertically, loosen the screws (X) and adjust the hinge plates up or down (Y) until gaps at top and bottom of the door are even, then re-tighten the screws.



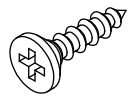
STEP 12



For this step:
Tools required



Fittings required



Once all the adjustments are complete and both doors are aligned, fix remaining x8 screws (T) into the other hinge plate holes then check all the other hinge screws are tight.

Please do not over-tighten.

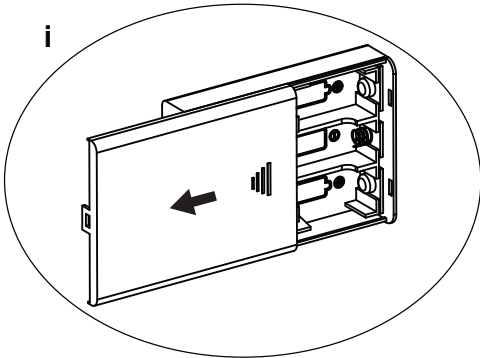
T x8

CHANGING THE BATTERIES

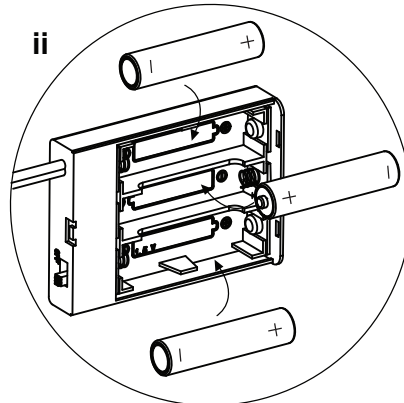
SLIDE OFF THE LID

CHANGE BATTERIES

i

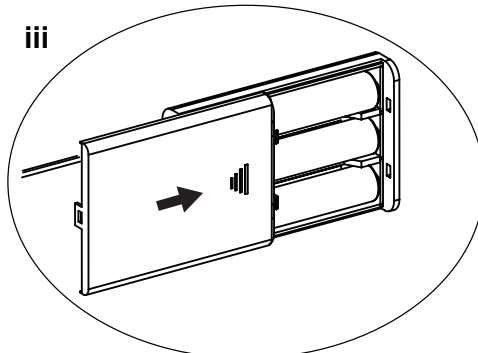


ii

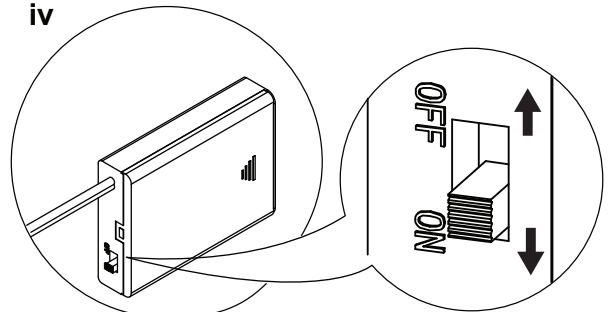


SLIDE LID BACK ON

iii



iv



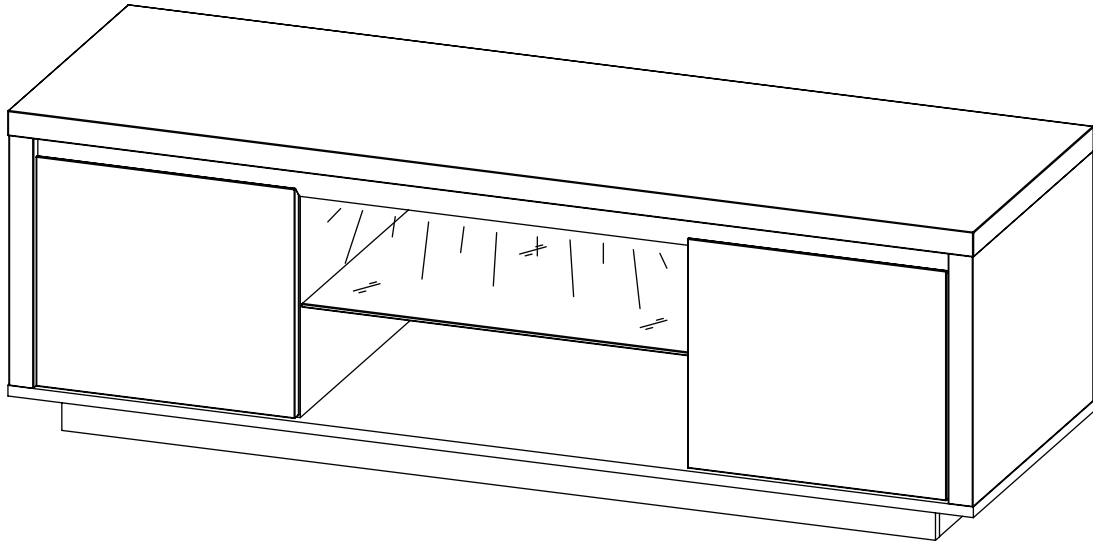
USE GOOD QUALITY AA BATTERIES. FOR BEST RESULTS USE RE-CHARGEABLES.

Assembly Completed

Your Polar Large TV Unit is now completely assembled.

Periodically check to ensure that the components are in their proper position, free from damage.

Also, make sure the connectors are tight and secure.



Keep instructions for future reference

