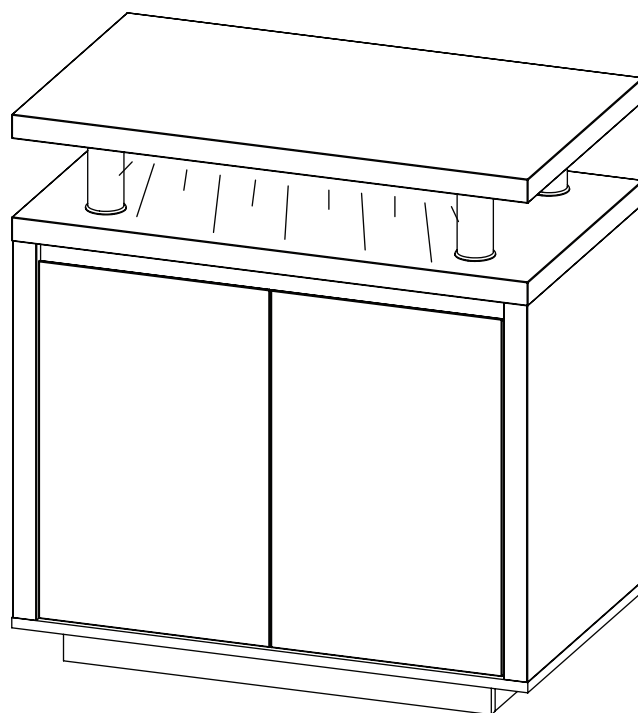


# POLAR HIGH GLOSS LED 2 DOOR SIDEBOARD ASSEMBLY INSTRUCTIONS

Thank you for purchasing the Polar 2 Door Sideboard.

Please read the instructions carefully to ensure safe operation of this product



Size: 76 x 45 x 80 cm (WDH)

Colour: White or Grey

Finish: High Gloss

---

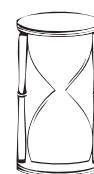
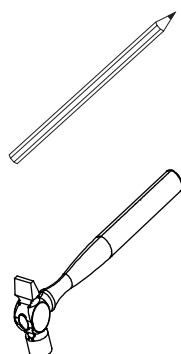
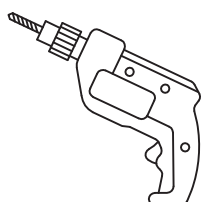
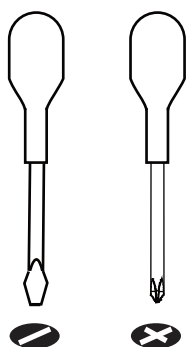
**PLEASE READ** this sheet prior to assembly to familiarise yourself with the various stages of construction.

Carefully open the pack supplied and check the contents against the parts and fittings check list. Do not destroy any of the packaging until you are certain that you have all the necessary parts for the assembly.

**CAUTION:** There are small components used in the construction of this unit. These loose items should be kept away from young children whilst assembling your unit to avoid the danger of choking.

---

## Tools Required



1 Hr  
Set Up

Version 1 - 200707

PO No: \_\_\_\_\_

Page 1 of 16

## **IMPORTANT - READ CAREFULLY - RETAIN THESE INSTRUCTIONS FOR FUTURE REFERENCE.**

### **INFORMATION**

- This product is designed to hold 20Kg in total, spread evenly over the whole unit.
- Do not exceed this weight.
- We recommend that this unit is assembled in the room intended for use.
- When you are ready to start, make sure that you have the right tools, plenty of space and a clean, dry area for assembly.
- Unwrap all packaging materials and place the components on top of the carton box or on a clean floor to prevent them from scratching.
- Check the pack and make sure you have all the parts listed.
- Ensure that this product is fully assembled as illustrated before use.
- Check all screws or bolts are tightened and inspect regularly
- Tools not included unless specified in parts list.

### **WARNINGS**

- DO NOT use power tools to construct this product.
- DO NOT tighten screws until parts are assembled or as advised in this guide.
- DO NOT over tighten screws or bolts.
- DO NOT use this product if parts are missing, damaged or worn.
- For safety, this unit is designed to fix to the wall using the anti-tilt bracket (O).

### **INSTALLATION WARNINGS:**

- In order to prevent the cabinet tipping over, this product must be installed with the metal anti-tilt bracket provided (O).
- This is essential for the safety of you and your children, the cabinet is not free-standing.
- Carefully assess the suitability of the wall to ensure that the fastening device will withstand the load and forces generated.
- Walls can be quite different in construction so only fixings for a standard block wall are supplied - otherwise please choose the most suitable fixing for your wall type - if in doubt consult an expert.
- When drilling the wall always be sure the area to be drilled is free from hidden electrical wiring, water or gas pipes.
- The fixing of this product to the wall must be done carefully following the detailed stages in this Assembly Instruction. See Steps 11 and 12.

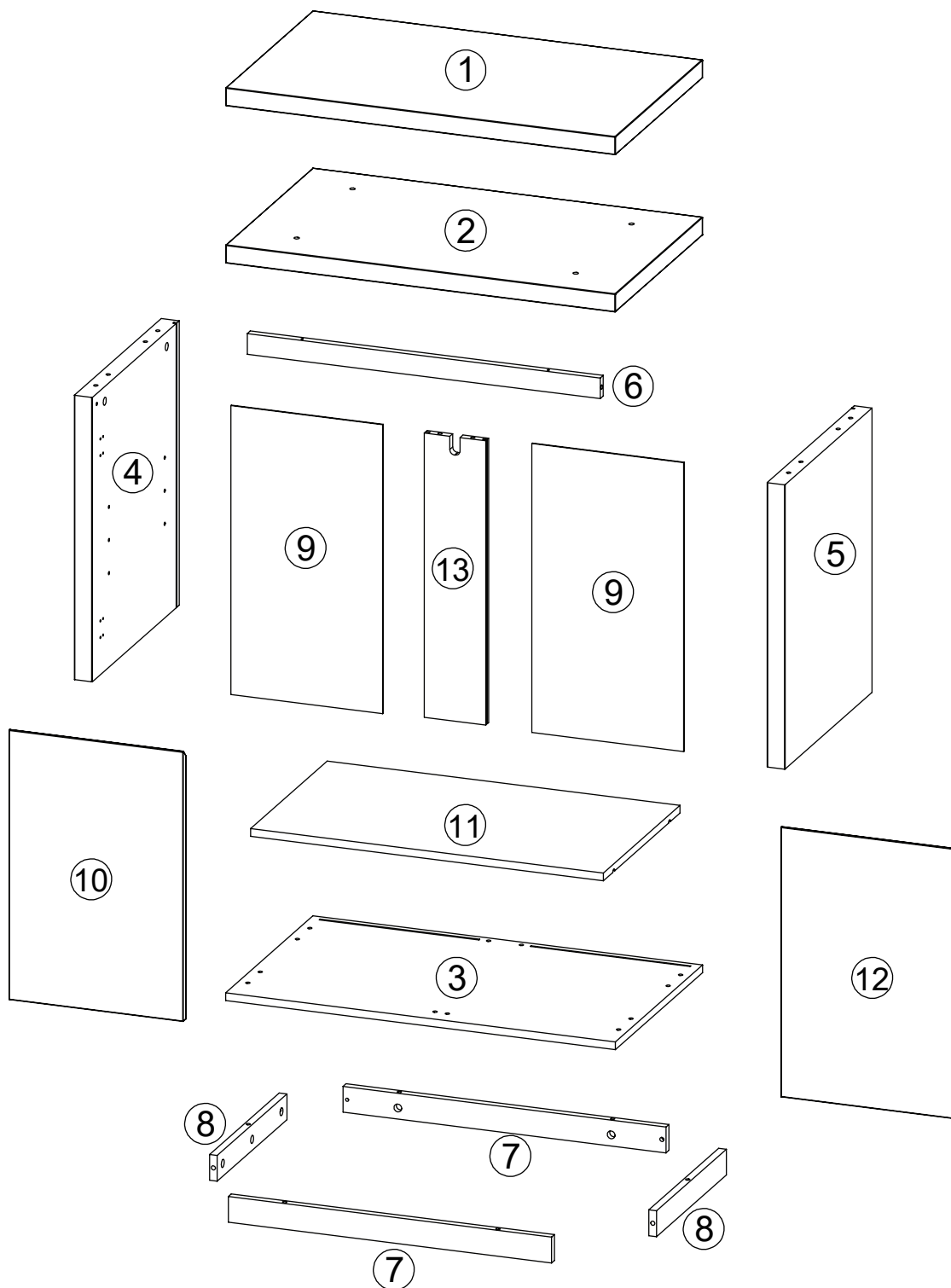
### **CARE INFORMATION**

- To clean, wipe with a damp cloth.
- Never use scourers, abrasives or chemical cleaners.
- Do not use solvent based cleaners or detergents as they can bleach or damage the product.

### Parts and Fittings Checklist

Please check the pack contents before assembling the product. If any components are missing, please contact your retailer.

The fittings pack contains small items that should be kept away from children.



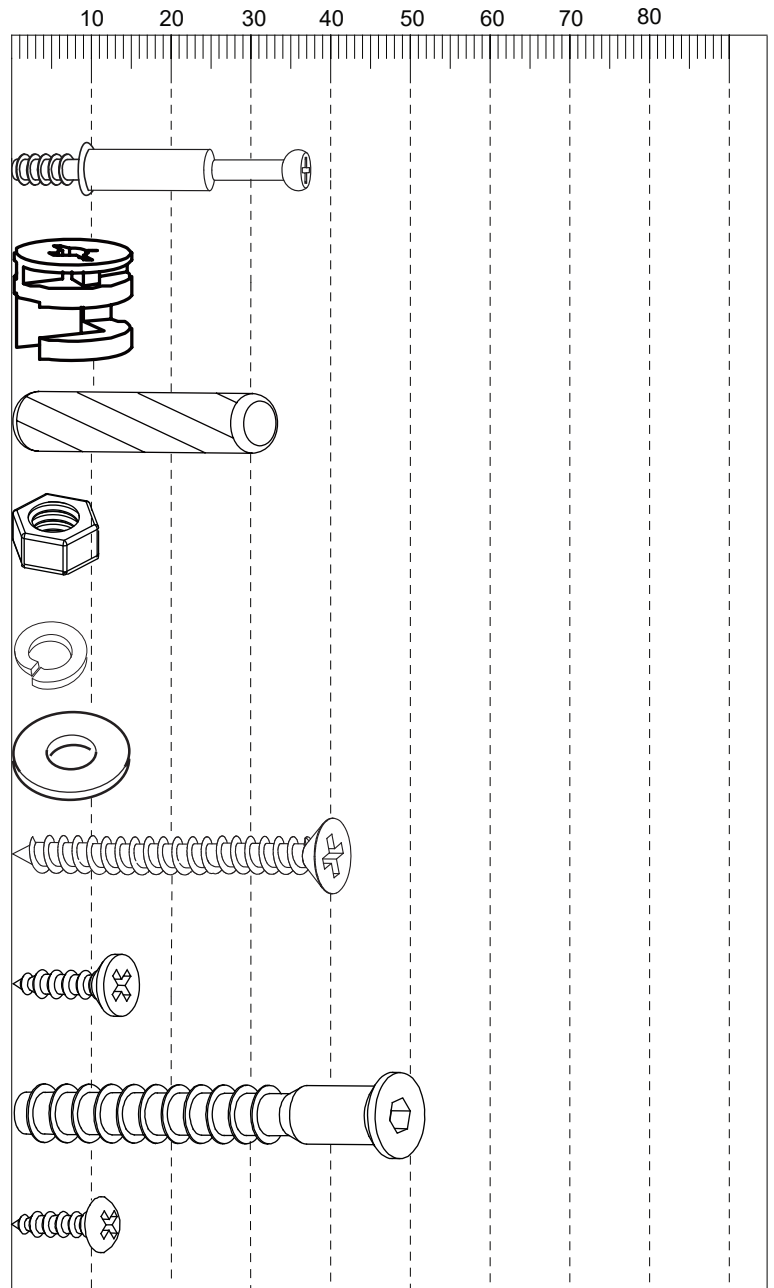
# POLAR HIGH GLOSS LED 2 DOOR SIDEBOARD ASSEMBLY INSTRUCTIONS

All parts are packed in two carton

1	2	3
Description: Floating Top Panel Qty: 1 Size: 760 x 450 x 35 mm Carton No: 2/2	Description: Under Top Panel Qty: 1 Size: 760 x 450 x 35 mm Carton No: 2/2	Description: Base Panel Qty: 1 Size: 760 x 450 x 15 mm Carton No: 2/2
4	5	6
Description: LH Side Panel Qty: 1 Size: 550 x 449 x 35 mm Carton No: 1/2	Description: RH Side Panel Qty: 1 Size: 550 x 449 x 35 mm Carton No: 1/2	Description: Fascia Rail Qty: 1 Size: 688 x 40 x 15 mm Carton No: 2/2
7	8	9
Description: Front/Rear Plinth Qty: 2 Size: 630 x 50 x 15 mm No: 2/2	Description: Side Plinth Qty: 2 Size: 360 x 50 x 15 mm Carton No: 1/2	Description: Back Panel Qty: 2 Size: 559 x 298 x 3 mm Carton No: 1/2
10	11	12
Description: LH Door Qty: 1 Size: 522 x 340 x 15 mm Carton No: 1/2	Description: Adjustable Shelf Qty: 1 Size: 687 x 395 x 15 mm Carton No: 2/2	Description: RH Door Qty: 1 Size: 522 x 340 x 15 mm Carton No: 1/2
13		
Description: Back Connect Rail Qty: 1 Size: 550 x 116 x 15 mm Carton No: 1/2		

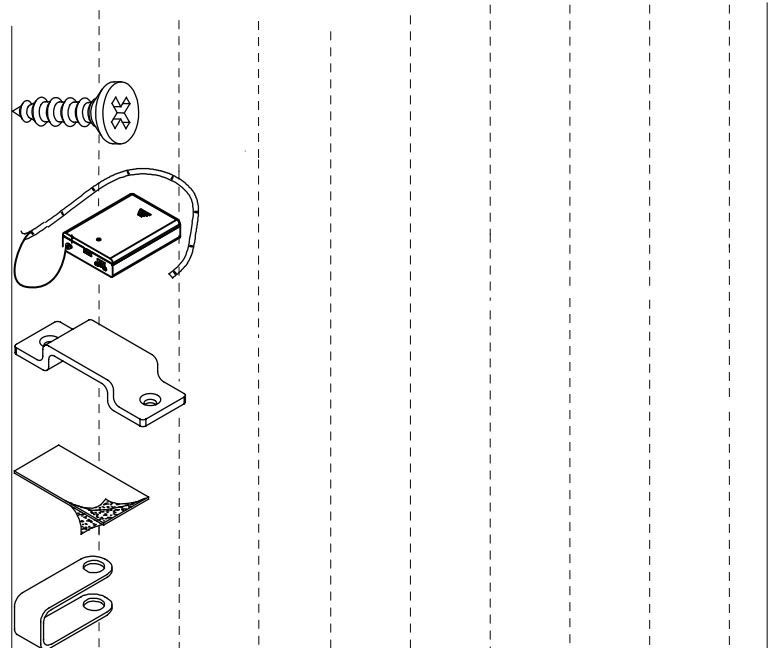
**Fittings (to scale)**

Code	Item	Quantity
A	Cam Bolt (38mm overall)	20
B	Cam Lock	20
C	Dowel 8x30mm	8
D	M6 Nut	4
E	Spring Washer For M6 Bolt	4
F	Flat Washer For M6 Bolt	4
S	Screw for Fixing Fascia Rail to Top Panel 4x40mm	2
T	Screw for Fitting Hinges and Hinge plates. 3.5x12mm	24
U	Carcass Screw for Fitting Side Panels to Base Panel M7x50mm	4
I	Screw for Fixing Anti-tilt Metal Bracket to Underside of Under Top Panel 4x12mm	1



**Fittings (packed in each LED pack).**

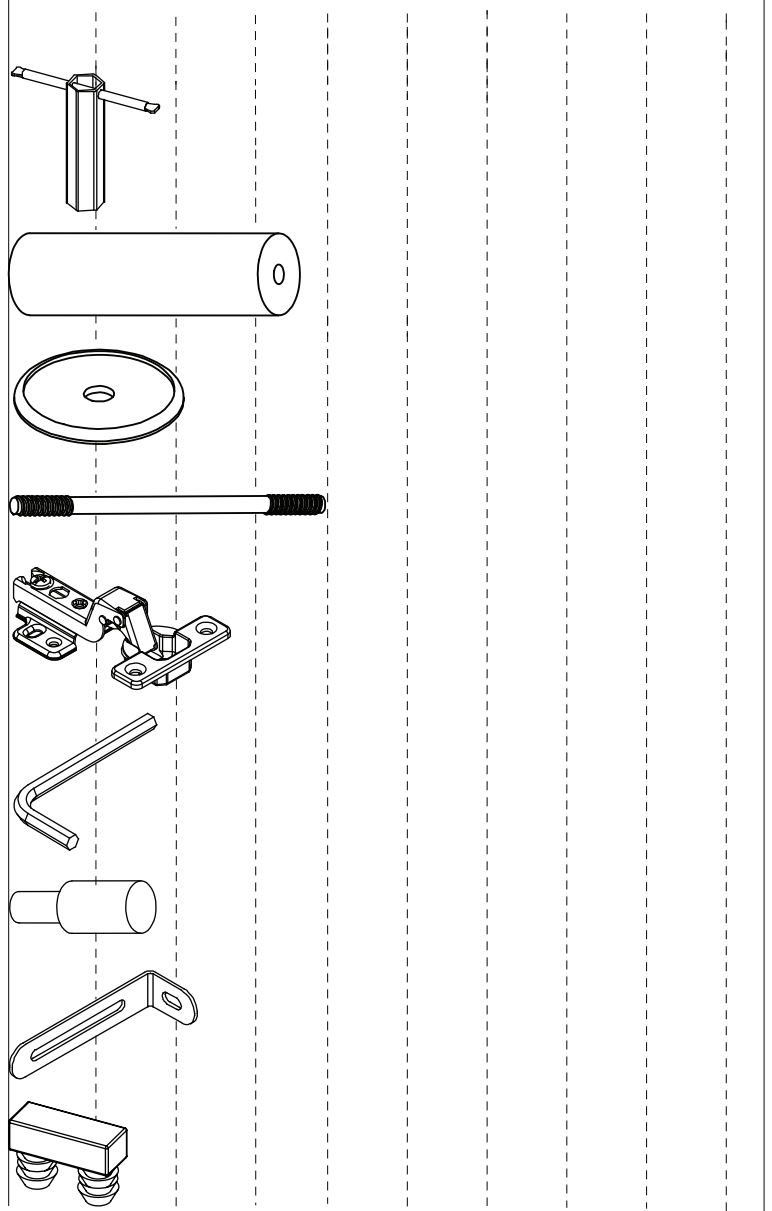
Code	Item	Quantity
G	Screw for LED/Cable Clips	3
H	Battery Box with 25cm LED Strip	1
J	LED Clip	1
K	Battery Box 2 Sided Sticky Pad	1
R	Cable Clip	1



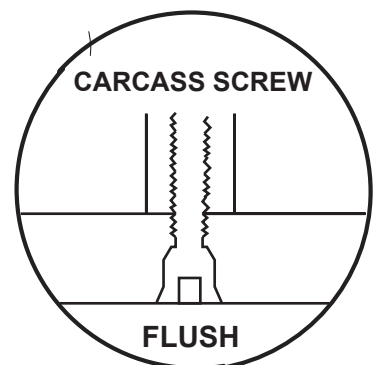
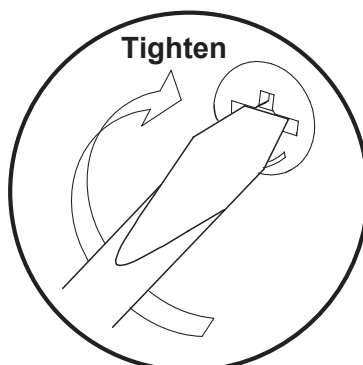
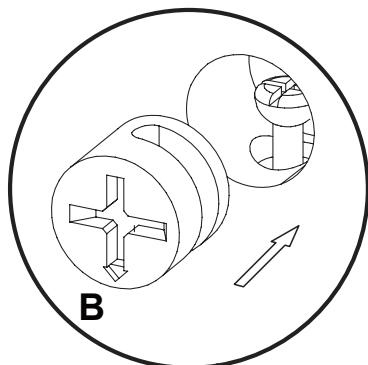
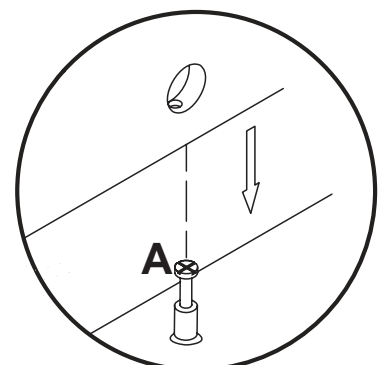
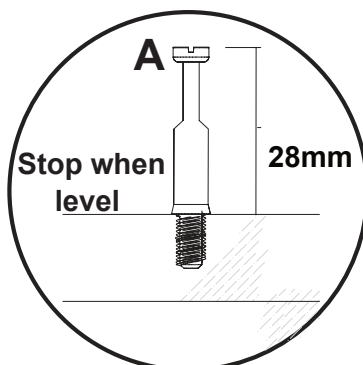
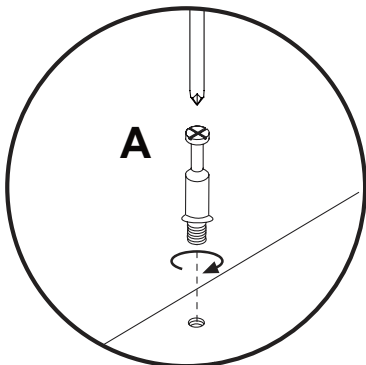
# POLAR HIGH GLOSS LED 2 DOOR SIDEBOARD ASSEMBLY INSTRUCTIONS

## Fittings (not to scale)

Code	Item	Quantity
M	M6 Box Spanner	1
N	Metal Tubular Support	4
P	Cover Cap for Tubular Support	8
Q	Short M6 Double Ended Bolt	4
V	Hinge & Hinge Mounting Plate	4
W	Allen Key (4mm)	1
X	Shelf Support	4
O	Metal Anti-tilt Bracket for Fixing Cabinet to Wall	1
Z	Door Stopper	1

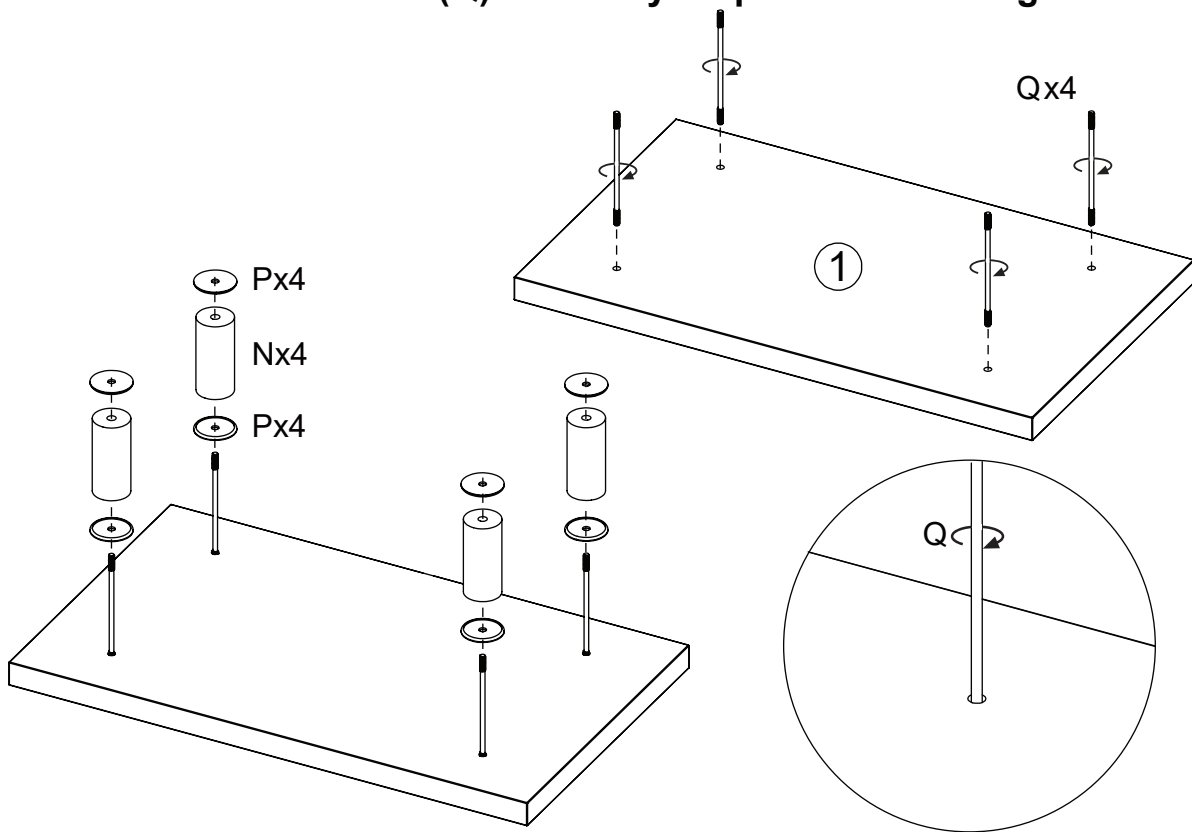


## General Hints & Tips



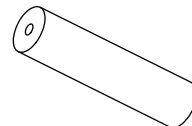
### STEP 1

Place top (1) face down on a clean blanket or non-scratch surface  
Screw in the 4 rods (Q) until they stop - do not overtighten.

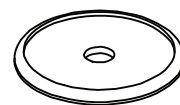


For this step:  
*Tools required*

*Fittings required*



N x4

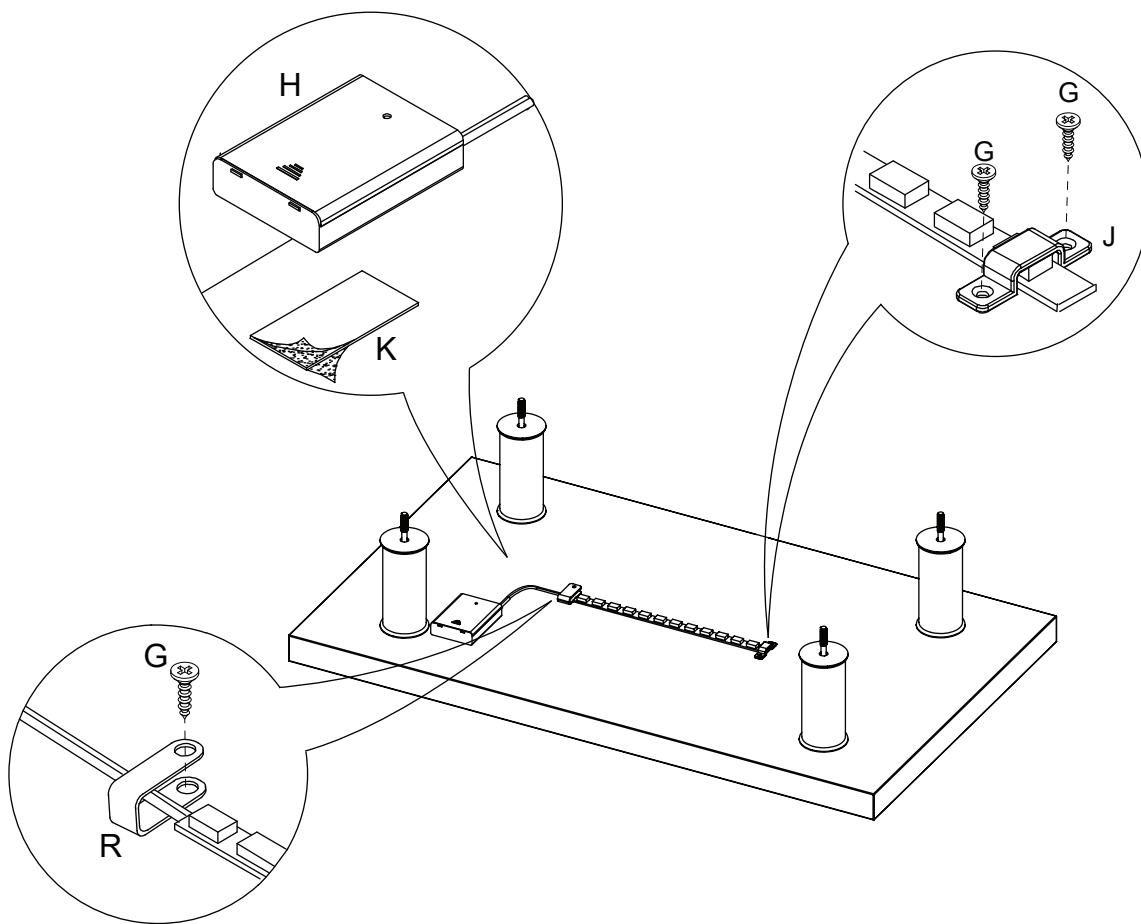


P x8



Q x4

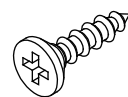
### STEP 2



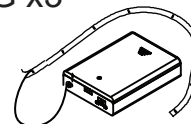
For this step:  
*Tools required*



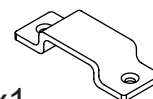
*Fittings required*



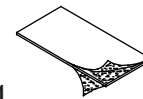
G x3



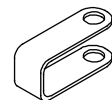
H x1



J x1

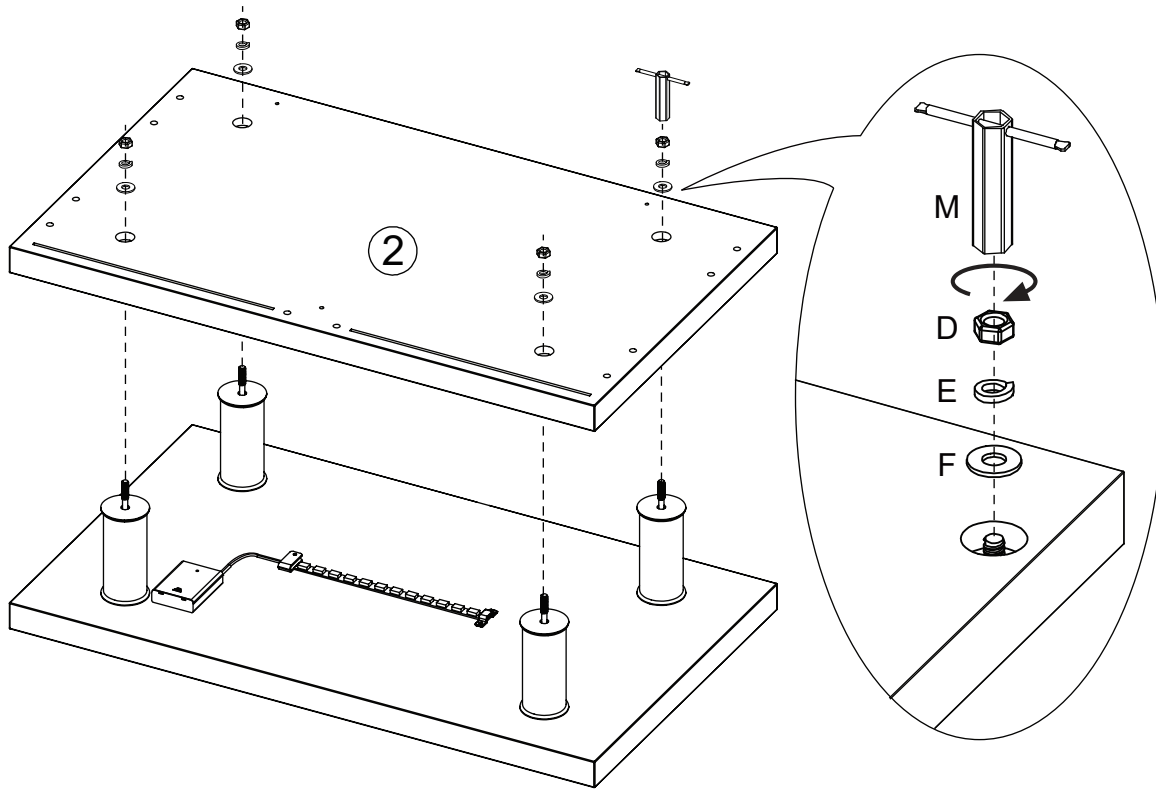


K x1

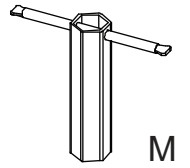


R x1

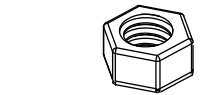
**STEP 3**



For this step:  
**Tools required**



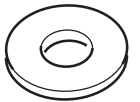
**Fittings required**



D x4

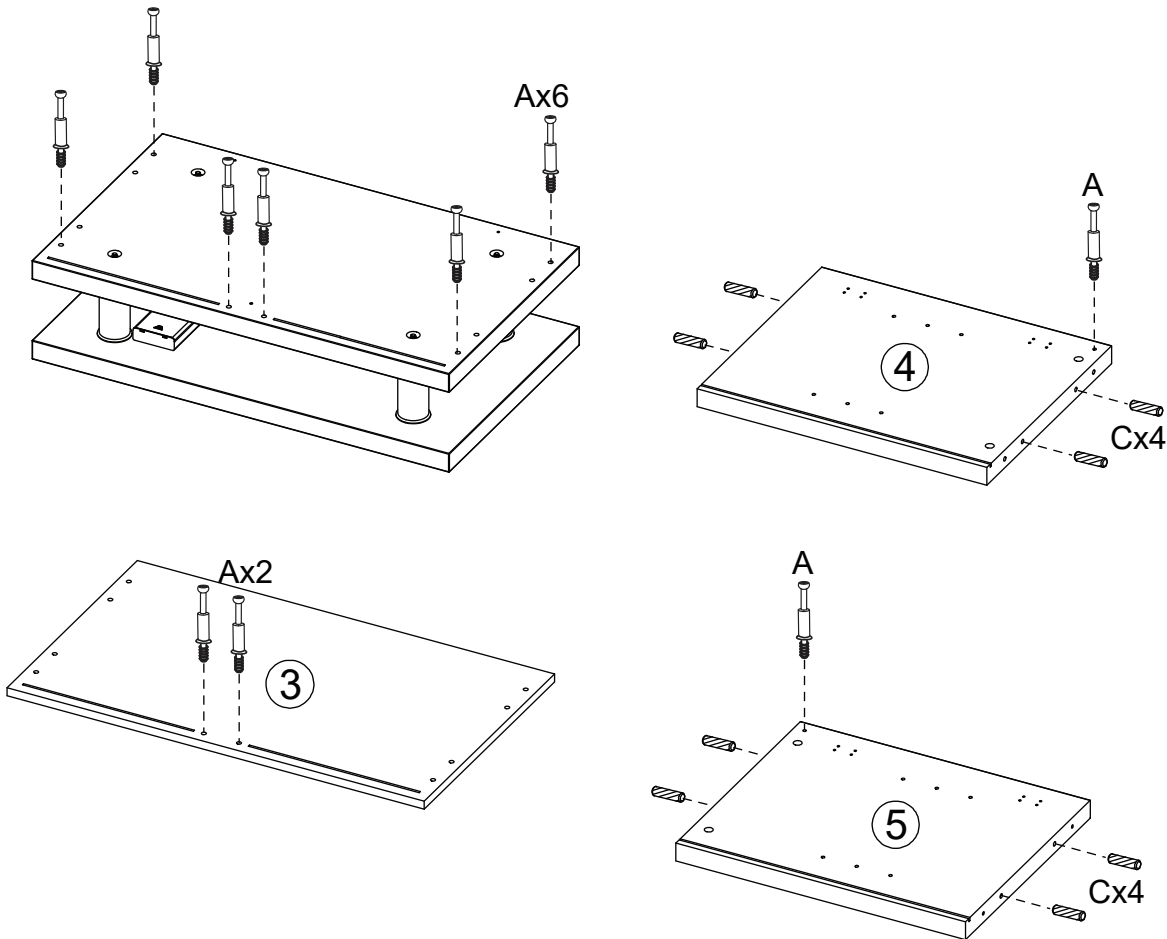


E x4

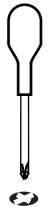


F x4

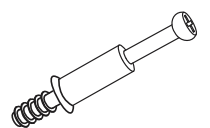
**STEP 4**



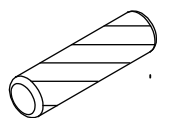
For this step:  
**Tools required**



**Fittings required**



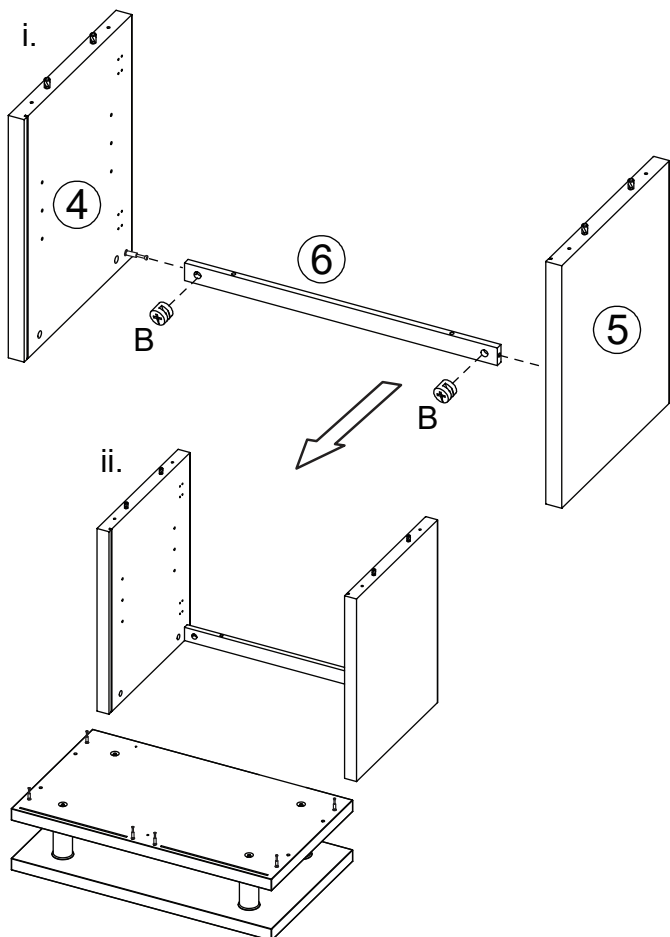
A x10



C x8



**STEP 5**



Be Careful when moving this sub-assembly into position. Assemble as close as you can to Top Panel (1&2)

For this step:  
*Tools required*



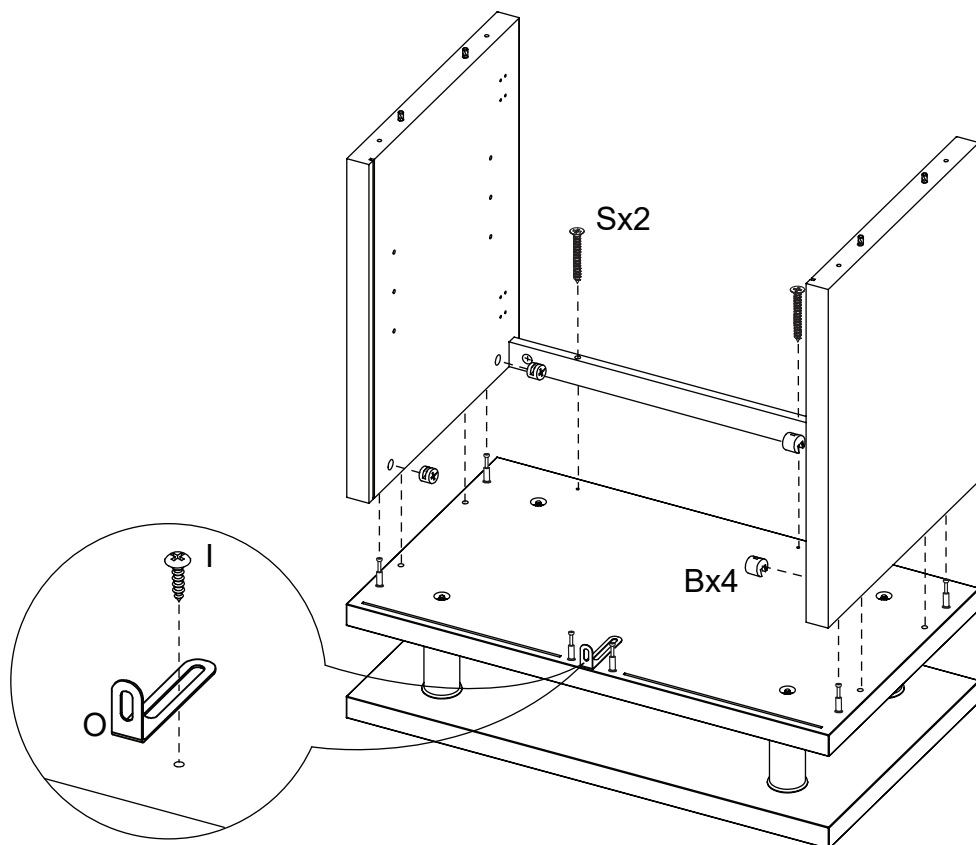
*Fittings required*



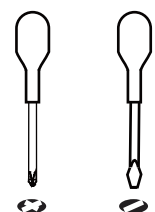
B x2

**STEP 6**

**CAREFULLY PLACE (4) & (5) EVENLY IN POSITION**



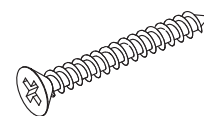
For this step:  
*Tools required*



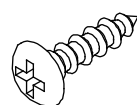
*Fittings required*



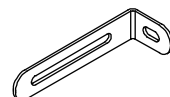
B x4



S x2

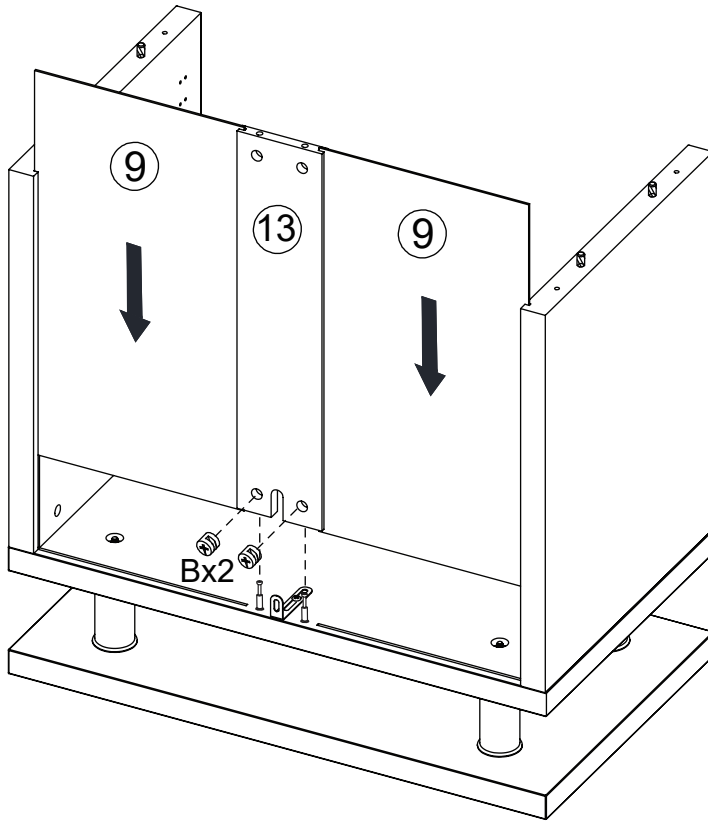


L x1

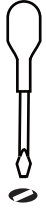


O x1

**STEP 7**



For this step:  
**Tools required**



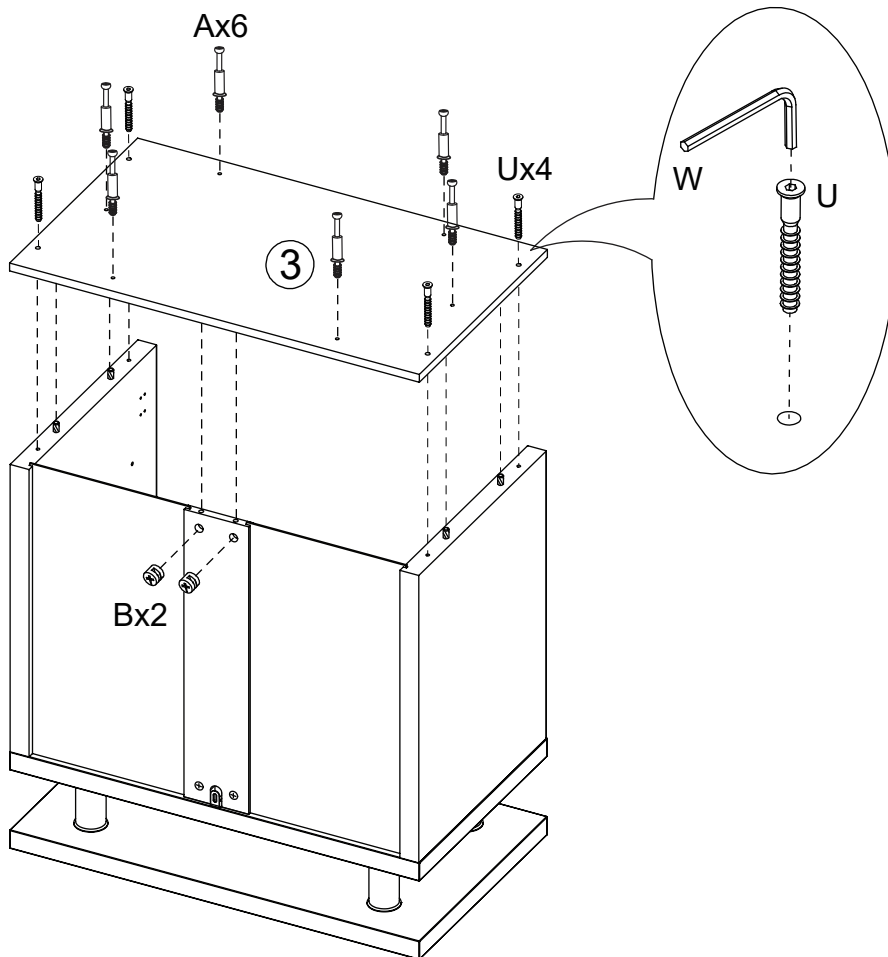
**Fittings required**



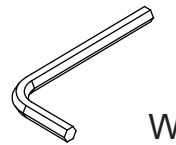
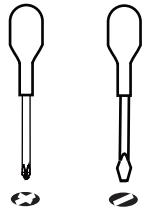
B x8

**STEP 8**

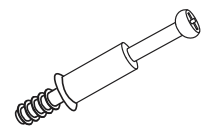
**Fit Base Panel using x4 Carcass Screws (U) then fix x6 Cam Bolts (A)**



For this step:  
**Tools required**



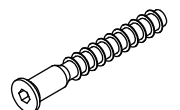
**Fittings required**



A x6

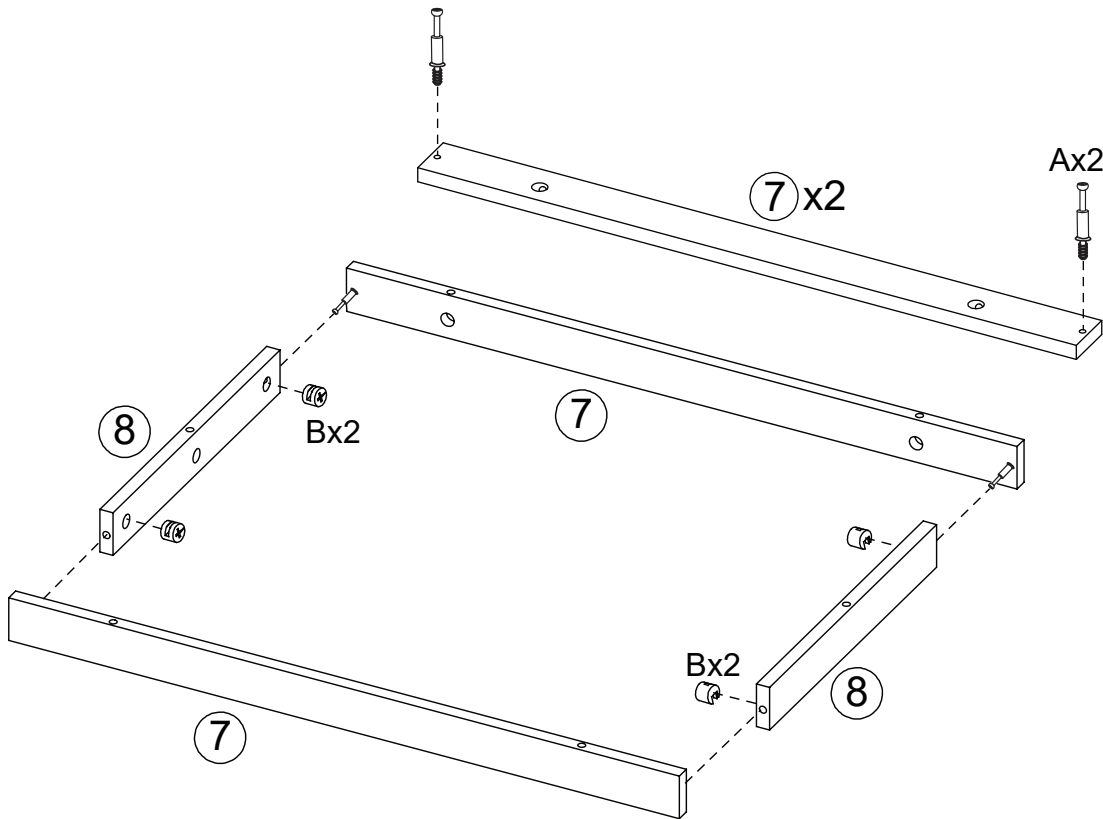


B x2

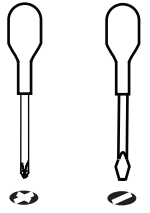


U x4

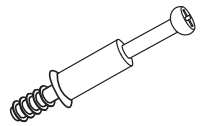
**STEP 9**



For this step:  
**Tools required**



**Fittings required**

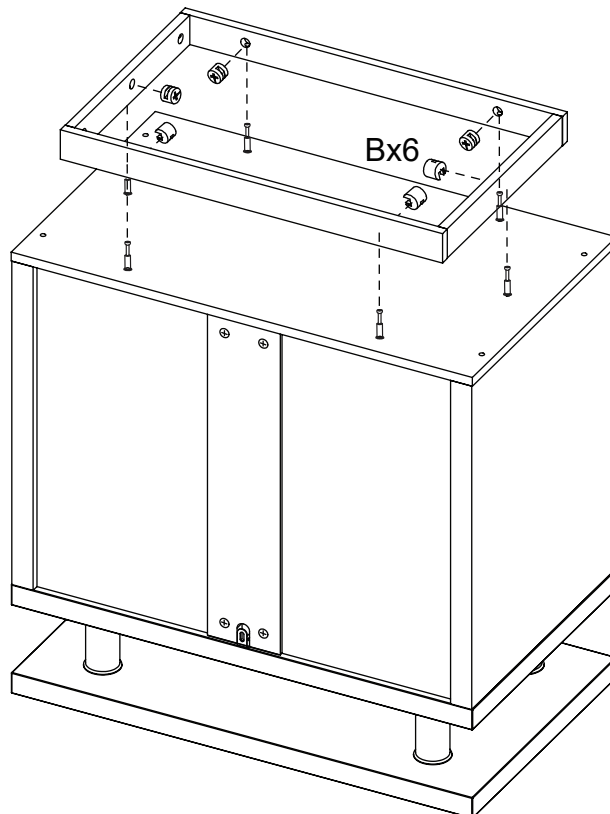


A x4

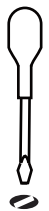


B x4

**STEP 10**



For this step:  
**Tools required**



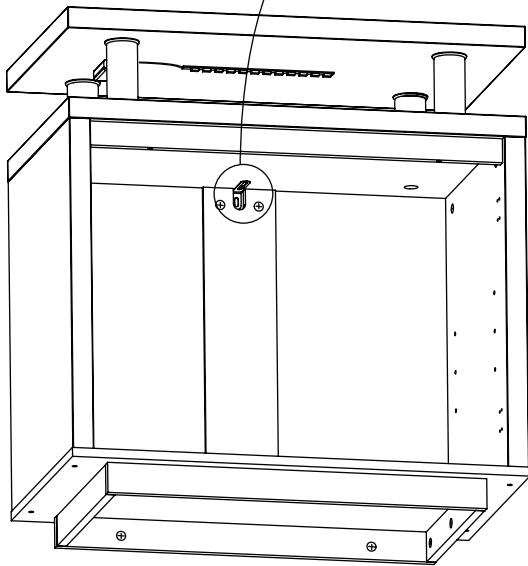
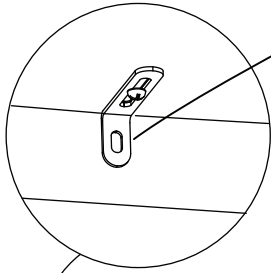
**Fittings required**



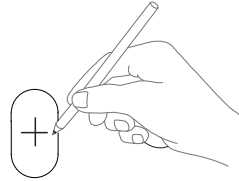
B x6

## STEP 11

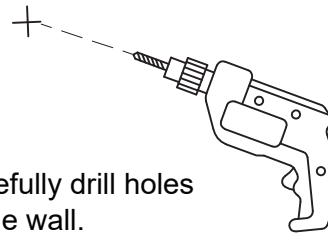
**Warning:**  
Always ensure the area to be drilled is free from hidden electrical wires, water and gas pipes.



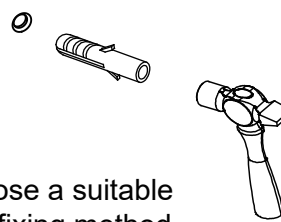
I. In the final position the cabinet is to be used, place it flat against the wall. From underside of the top carefully mark the wall with a sharp pencil, dead-centre of the holes in the short legs of the metal Anti-tilt Bracket.



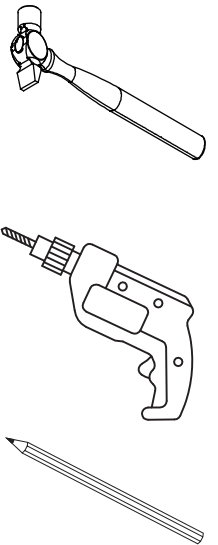
II. Carefully drill holes in the wall.



III. Choose a suitable wall fixing method.



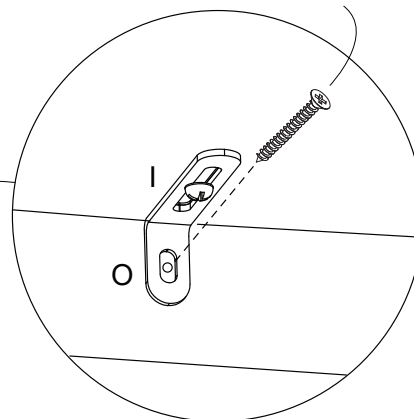
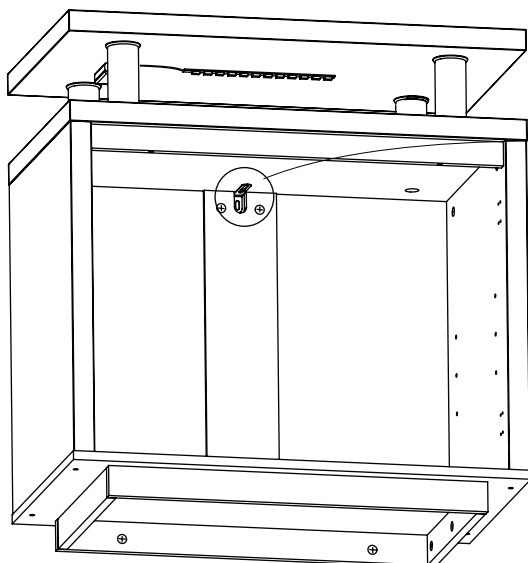
For this step:  
**Tools required**



**Fittings required**

## STEP 12

Choose a suitable screw for your wall fixing method.



Hold cabinet firmly against the wall. If necessary, loosen screw (I) a little and push each metal bracket (O) until touching the wall. Screw into your wall fixings making sure brackets are firm, finally re-tighten screws (I).

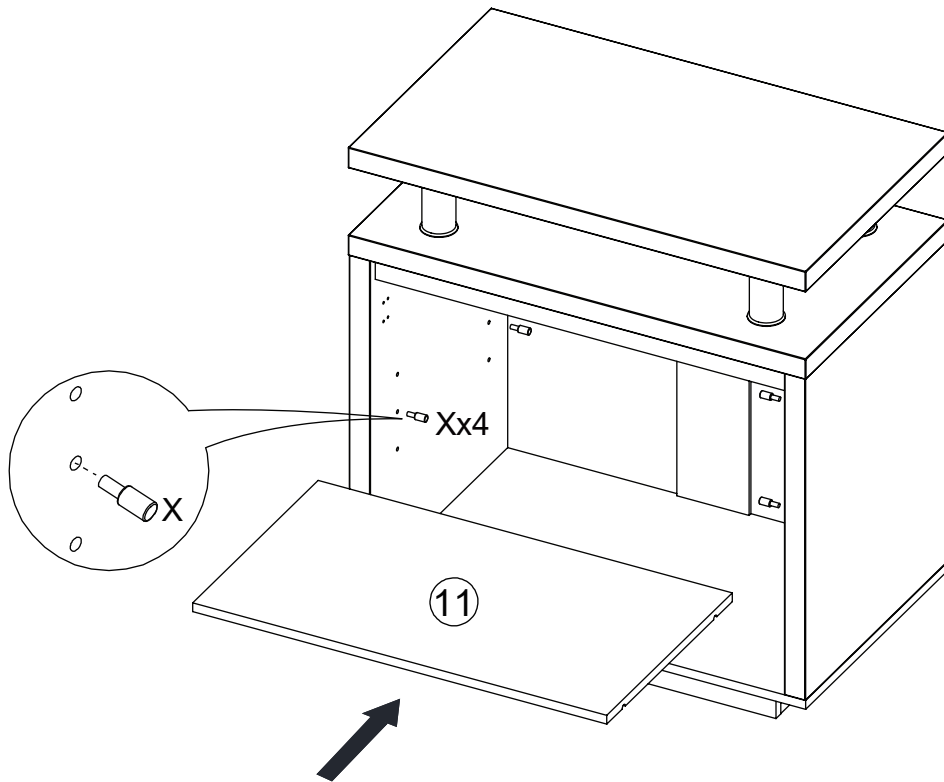
For this step:  
**Tools required**



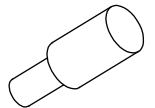
**Fittings required**

**STEP 13**

For this step:  
**Tools required**



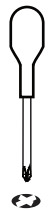
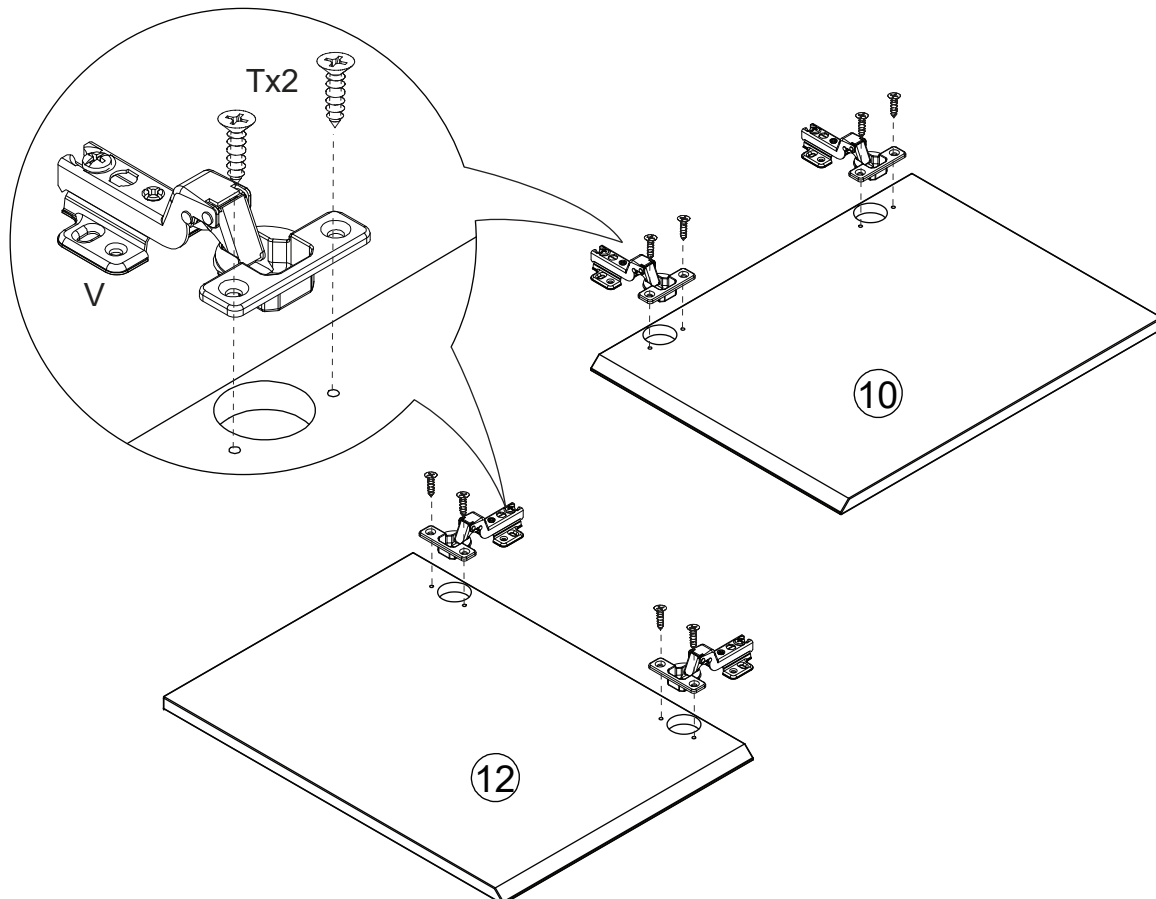
**Fittings required**



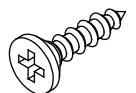
X x4

**STEP 14**

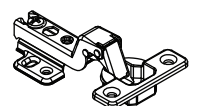
For this step:  
**Tools required**



**Fittings required**

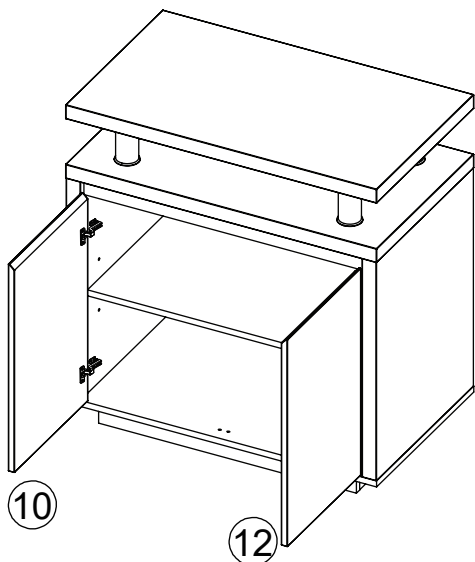


T x8

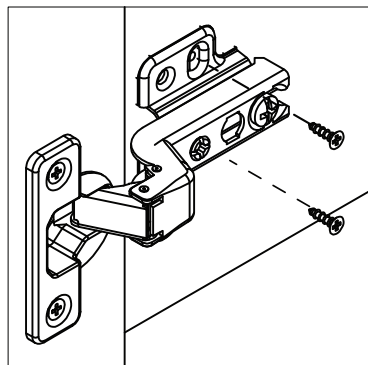


V x4

**STEP 15**



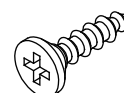
Initially, fix 4 screws (T) through the centre of the elongated holes in both hinge plates, screwing into the side panel.



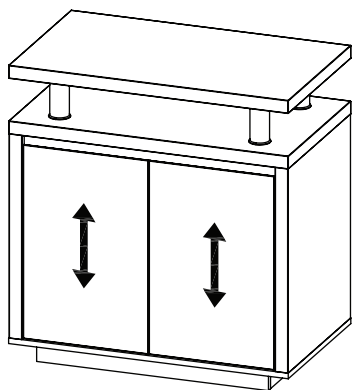
For this step:  
**Tools required**



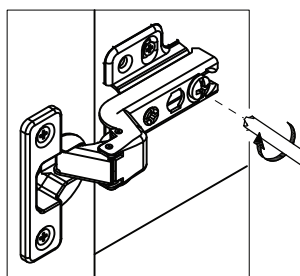
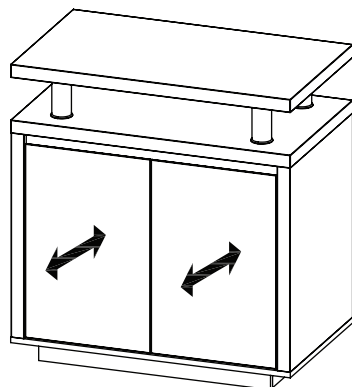
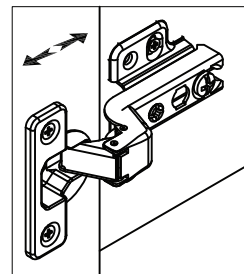
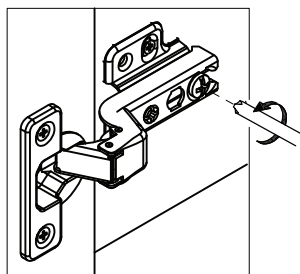
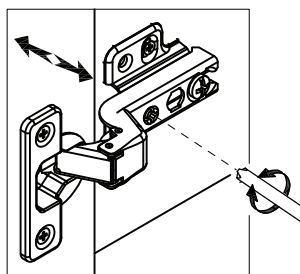
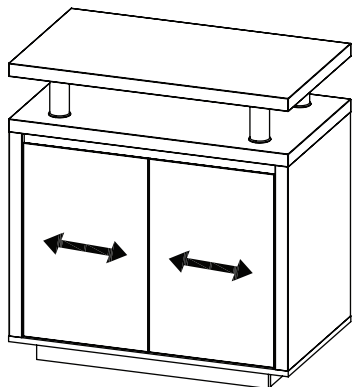
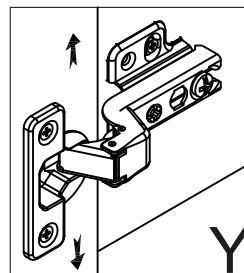
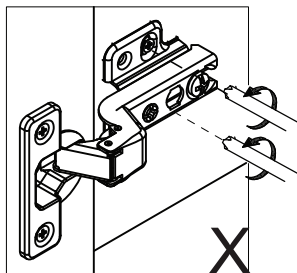
**Fittings required**



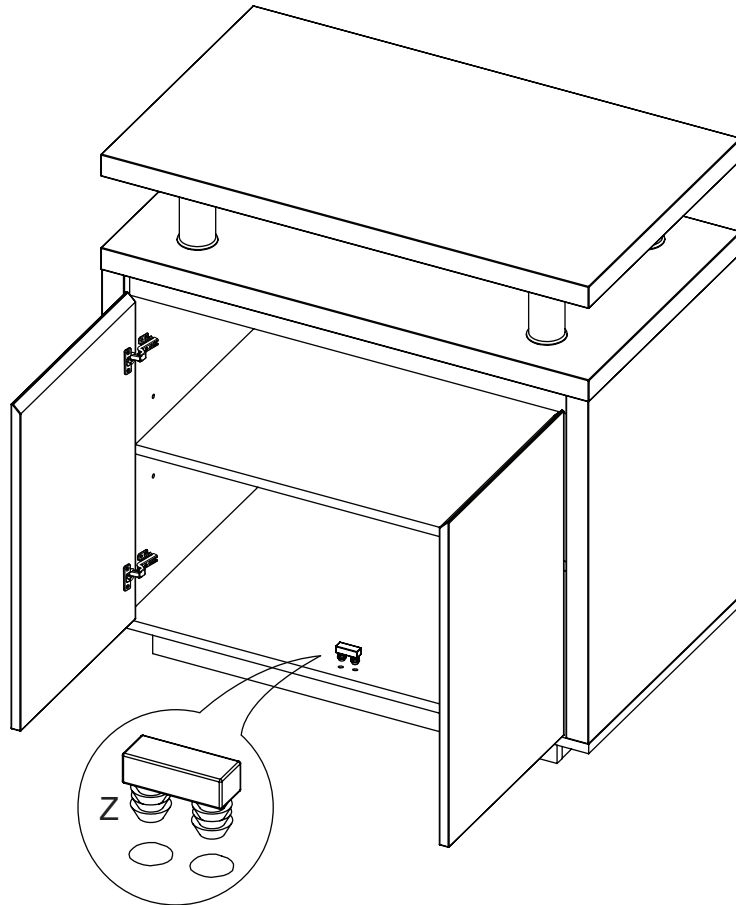
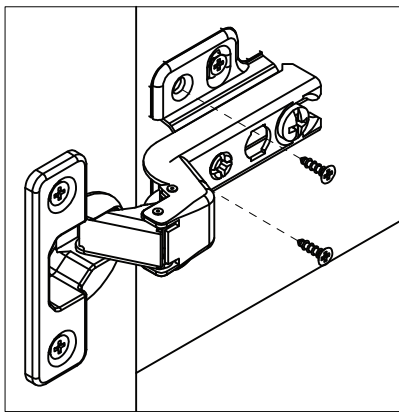
T x8



If it is necessary to re-align the door vertically, loosen the screws (X) and adjust the hinge plates up or down (Y) until gaps at top and bottom of the door are even, then re-tighten the screws.



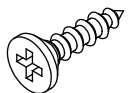
**STEP 16**



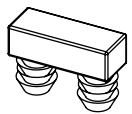
For this step:  
**Tools required**



**Fittings required**



T x8



Z x1

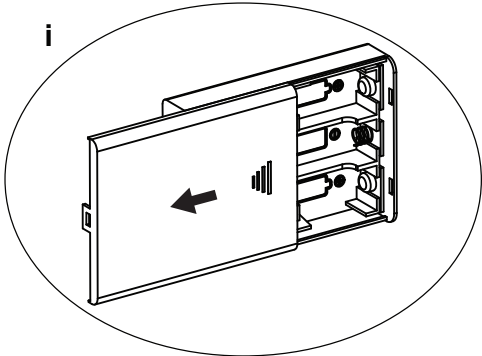
Once all the adjustments are complete and door is aligned, fix remaining 8 screws (T) into the other hinge plate holes then check all the other hinge screws are tight. Please do not over-tighten.

**CHANGING THE BATTERIES**

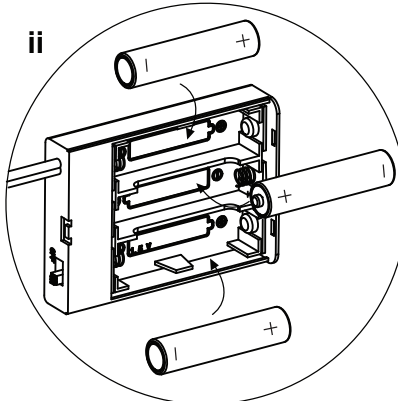
SLIDE OFF THE LID

CHANGE BATTERIES

i

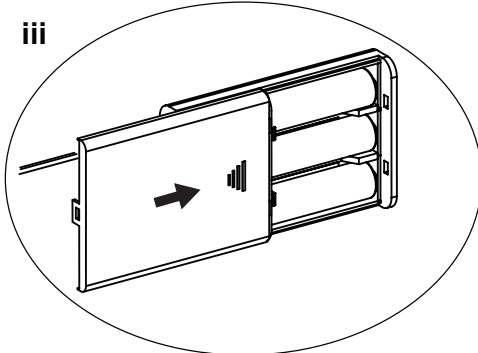


ii

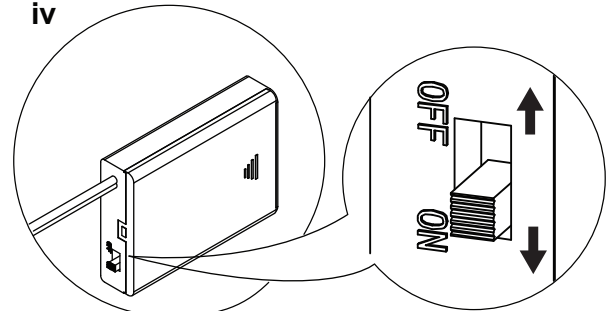


SLIDE LID BACK ON

iii



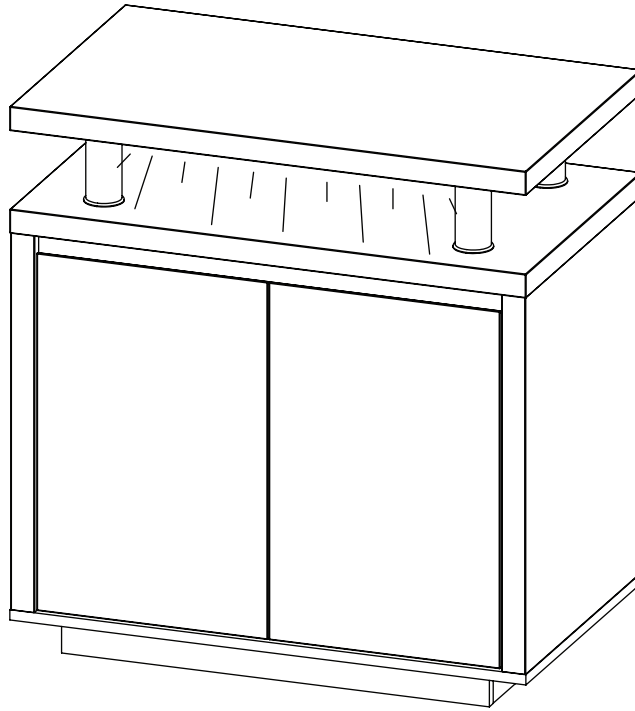
iv



USE GOOD QUALITY AA BATTERIES. FOR BEST RESULTS USE RE-CHARGEABLES.

## Assembly Completed

Your Polar 2 Door Sideboard is now completely assembled.  
Periodically check to ensure that the components are in their proper position, free from damage.  
Also, make sure the connectors are tight and secure.



**Keep instructions for future reference**

