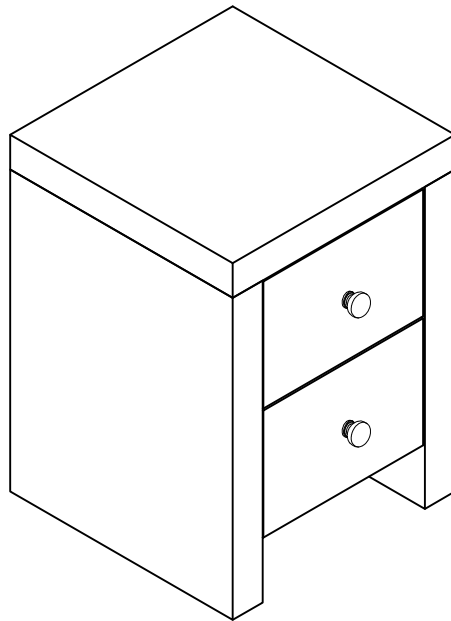


MIRRORED 2 DRAWER SLIM CHEST ASSEMBLY INSTRUCTIONS

Thank you for purchasing the MIRRORED 2 DRAWER SLIM CHEST. Please read the instructions carefully to ensure safe operation of the product.



Size:30x30x45cm

Colour:Clear

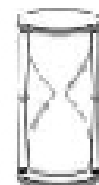
Finish:Mirrored

PLEASE READ this sheet prior to assembly to familiarise yourself with the various stages of construction.

Carefully open the pack supplied and check the contents against the parts and fittings check list. Do not destroy any of the packaging until you are certain that you have all the necessary parts for the assembly.

CAUTION: There are small components used in the construction of this unit. These loose items should be kept away from young children whilst assembling your unit to avoid the danger of choking hazards.

Tools Required



10 Min
Set Up

MIRRORED 2 DRAWER SLIM CHEST ASSEMBLY INSTRUCTIONS

IMPORTANT - READ CAREFULLY - RETAIN THESE INSTRUCTIONS FOR FUTURE REFERENCE.

INFORMATION

Due to the size of this product we recommend that it is assembled in the room intended for use.
When you are ready to start, make sure that you have the right tools, plenty of space and a clean, dry area for assembly.
Unwrap all packaging materials and place the components on top of the carton box or on a clean floor to prevent it from scratching.
Check the pack and make sure you have all the parts listed.
Ensure that this product is fully assembled as illustrated before use.
Check all screws or bolts are tightened and inspect regularly
This product should only be used on firm, level ground.
Keep small parts out of reach of children.
Make sure the legs remain in contact with the ground.
Tools not included.

WARNINGS

DO NOT use power tools to construct this product.
DO NOT over tighten screws or bolts.
DO NOT use this product if parts are missing, damaged or worn.
DO NOT stand on the product.
DO NOT place very hot or very cold items on the surface unless adequately thick tablemats are used to prevent such items damaging your dresser top
If a glass component is chipped or broken, stop using the product and consult the manufacturer or supplier

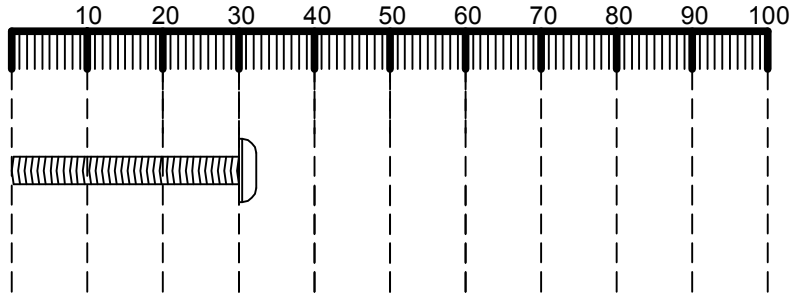
CARE INFORMATION

Never use scourers, abrasives or chemical cleaners.
To clean wipe with a sponge and warm soapy water. Do not use solvent based cleaners or detergents as they can bleach or damage the product.
When cleaning glass panels or mirrors use a damp cloth with washing up liquid or soft soap if necessary; do not use washing powders or any other substances containing abrasives since these substances scratch glass.
Do not use washing powders or any other substances containing abrasives, as these may scratch the glass

MIRRORED 2 DRAWER SLIM CHEST ASSEMBLY INSTRUCTIONS

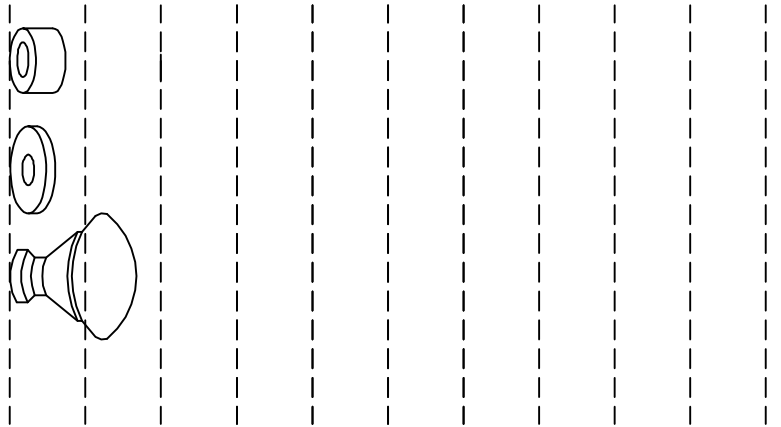
Fittings(to scale)

| Ref | Dimensions | Qty |
|-----|------------|-----|
| a | Screw 30mm | 2 |

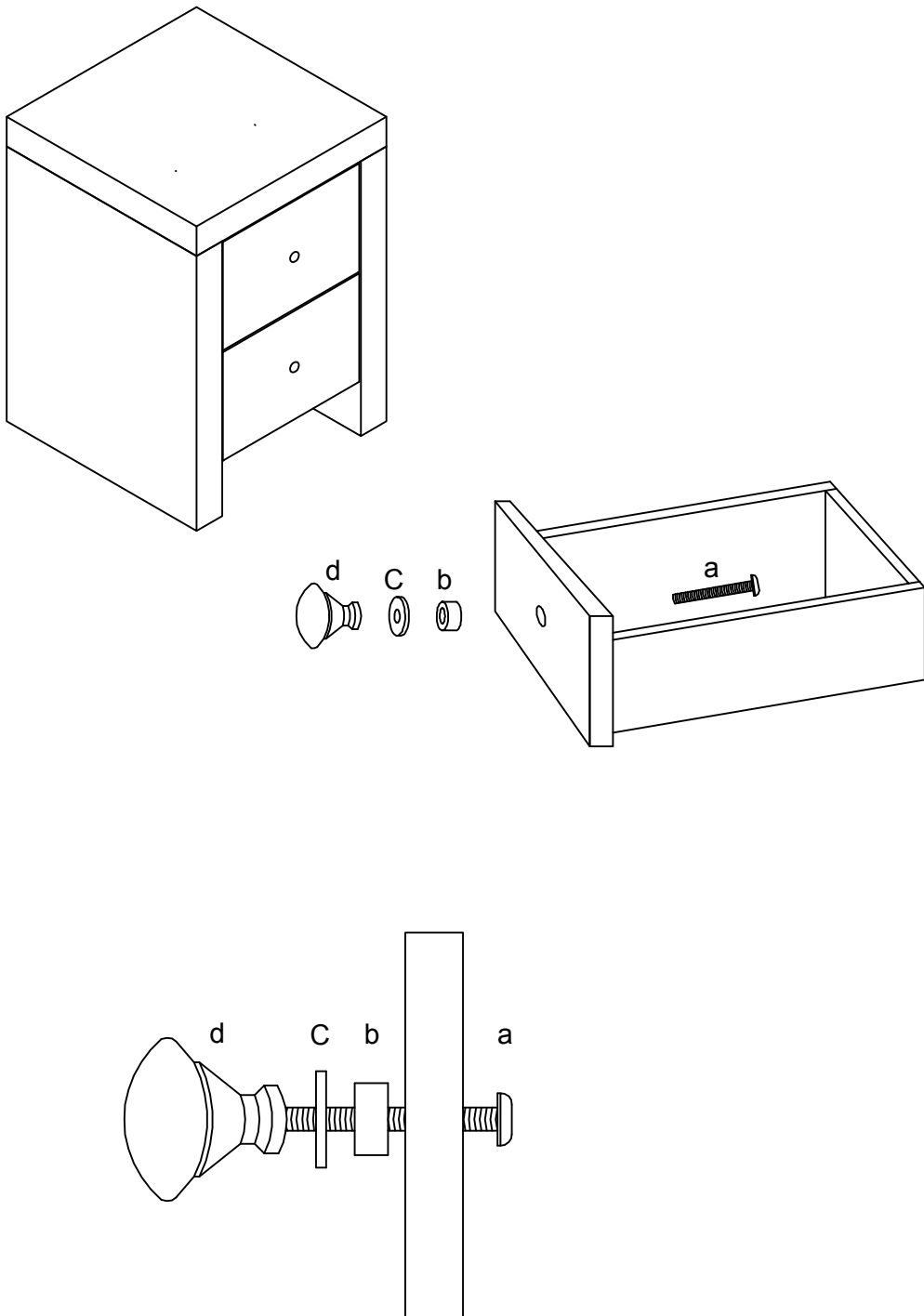


(Not to scale)

| | | |
|---|-----------|---|
| b | Space Nut | 2 |
| c | Washer | 2 |
| d | Handle | 2 |



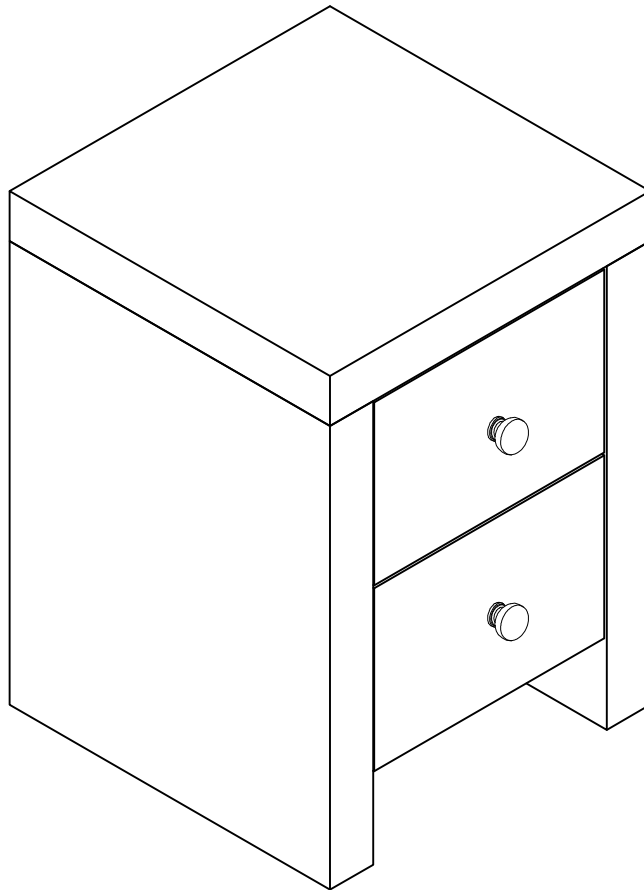
MIRRORED 2 DRAWER SLIM CHEST ASSEMBLY INSTRUCTIONS

| STEP 1 | Parts Required |
|--|---|
|  <p>The diagram illustrates the first step of assembly. On the left, a perspective view of the chest shows two drawers. In the center, a perspective view of a drawer shows a screw (a) being inserted into the front panel. To the right of the drawer, the handle (d) is shown with a washer (c) and spacer nut (b) being slid onto the screw (a) from the handle side. Below this, a detailed view shows the handle (d) with the washer (c) and spacer nut (b) being slid onto the screw (a) from the handle side.</p> | <p>a Screw x 2 b Spacer Nut x 2 c Washer x 2 d Handle x 2</p> |

MIRRORED 2 DRAWER SLIM CHEST ASSEMBLY INSTRUCTIONS

Complete Assembly

Your MIRRORED 2 DRAWER SLIM CHEST is now completely assembled. Periodically check to ensure that the components are in their proper position, free from damage. Also, make sure the connectors are tight and secure.



Keep instructions for future reference.

