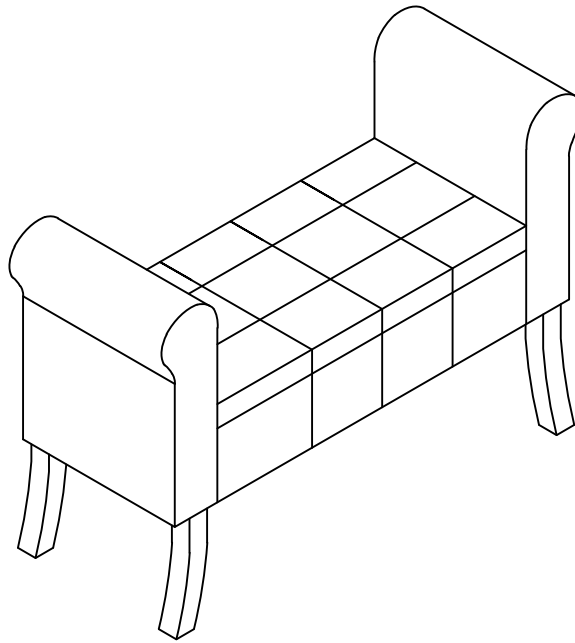


## OSBORNE WINDOW SEAT ASSEMBLY INSTRUCTIONS

Thank you for purchasing the OSBORNE WINDOW SEAT. Please read the instructions carefully to ensure safe operation of the product.



**Size: 1365\*450\*660mm**

**Colour: BLUSH PINK/RUSSET/TEAL**

---

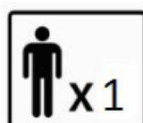
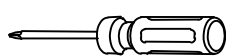
**PLEASE READ** this sheet prior to assembly to familiarise yourself with the various stages of construction.

Carefully open the pack supplied and check the contents against the parts and fittings check list. Do not destroy any of the packaging until you are certain that you have all the necessary parts for the assembly.

**CAUTION:** There are small components used in the construction of this unit. These loose items should be kept away from young children whilst assembling your unit to avoid the danger of choking hazards.

---

### Tools Required



30 Min  
Set Up

# OSBORNE WINDOW SEAT ASSEMBLY INSTRUCTIONS

## IMPORTANT - READ CAREFULLY - RETAIN THESE INSTRUCTIONS FOR FUTURE REFERENCE.

### INFORMATION

- This product is intended for a maximum weight of 110 kg. Do not exceed this weight
- Due to the size of this product we recommend that it is assembled in the room intended for use
- When you are ready to start, make sure that you have the right tools, plenty of space and a clean, dry area for assembly.
- Unwrap all packaging materials and place the components on top of the carton box or on a clean floor to prevent it from scratching.
- Check the pack and make sure you have all the parts listed.
- Ensure that this product is fully assembled as illustrated before use.
- Check all screws or bolts are tightened and inspect regularly
- Tools not included.

### WARNINGS

- This product should only be used on firm, level ground.
- Keep small parts out of reach of children.
- Make sure the legs remain in contact with the ground.
- Do not use power tools to construct this product.
- Do not tighten screws until fully assembled.
- Do not over tighten screws or bolts.
- Do not use this product if parts are missing, damaged or worn.
- Do not stand on the product.

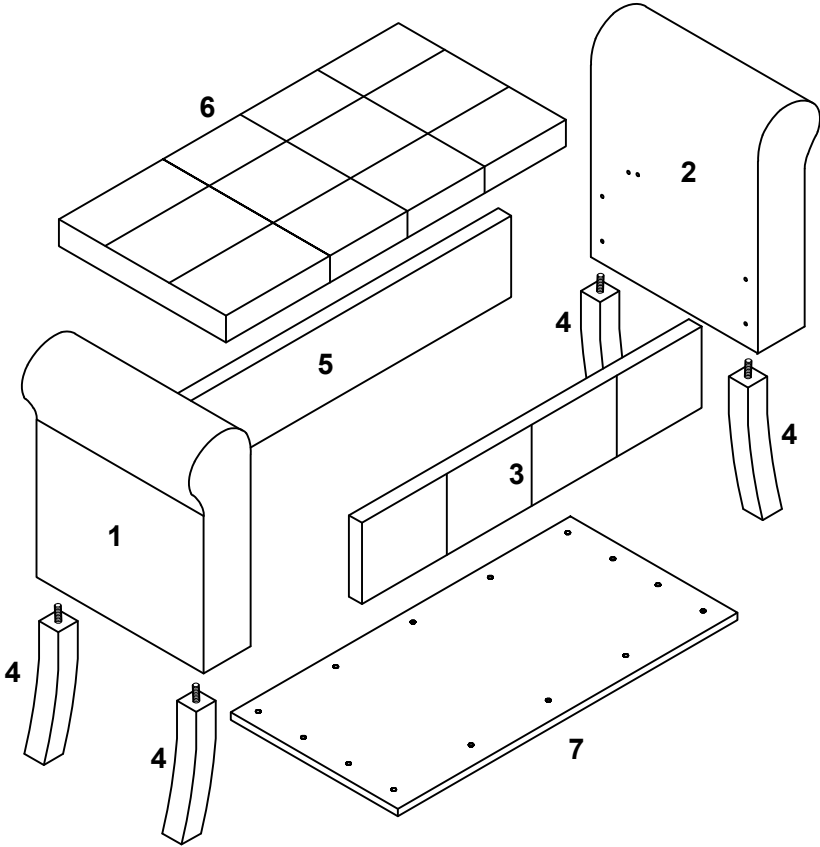
### CARE INFORMATION

- Never use scourers, abrasives or chemical cleaners.
- To clean wipe with a sponge with warm soapy water. Do not use solvent based cleaners or detergents as they can bleach or damage the product.

# OSBORNE WINDOW SEAT ASSEMBLY INSTRUCTIONS

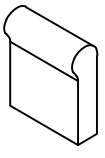
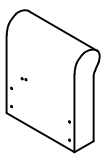
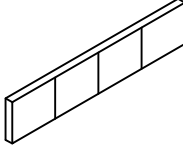

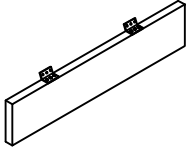
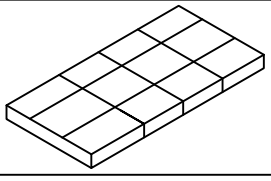
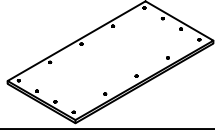
## Parts

Please check the pack contents before assembling the product. If any components are missing, please contact your retailer. The fittings pack contains small items that should be kept away from small children.



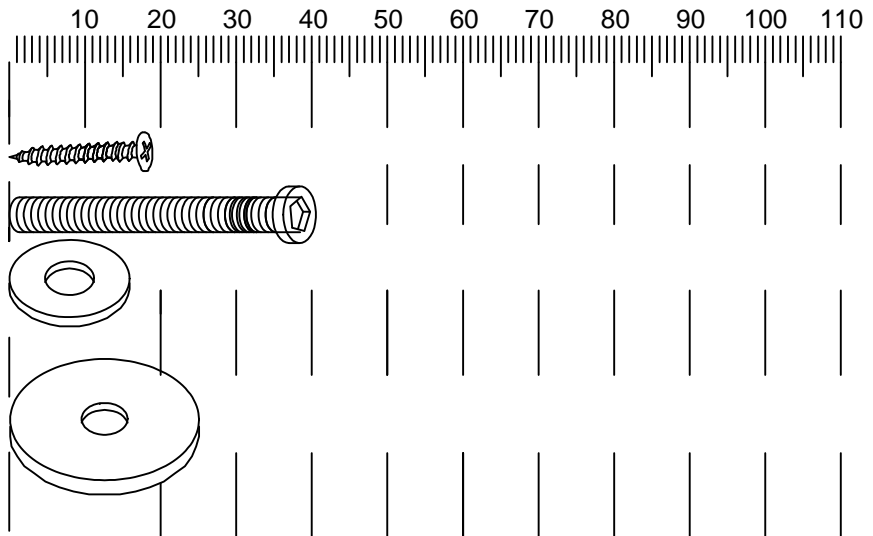
# OSBORNE WINDOW SEAT ASSEMBLY INSTRUCTIONS

## Parts

<b>1</b> 	<b>2</b> 	<b>3</b> 
<b>Description:LEFT SIDE PANEL</b> Qty:1 PC Carton NO:1 OF 1	<b>Description:RIGHT SIDE PANEL</b> Qty:1 PC Carton NO:1 OF 1	<b>Description:FRONT PANEL</b> Qty:1 PC Carton NO:1 OF 1
<b>4</b> 	<b>5</b> 	<b>6</b> 
<b>Description:FEET</b> Qty:4 PCS Carton NO:1 OF 1	<b>Description:BACK PANEL</b> Qty:1 PC Carton NO:1 OF 1	<b>Description:SEAT CUSHION</b> Qty:1 PC Carton NO:1 OF 1
<b>7</b> 		
<b>Description:BOTTOM PANEL</b> Qty:1 PC Carton NO:1 OF 1		

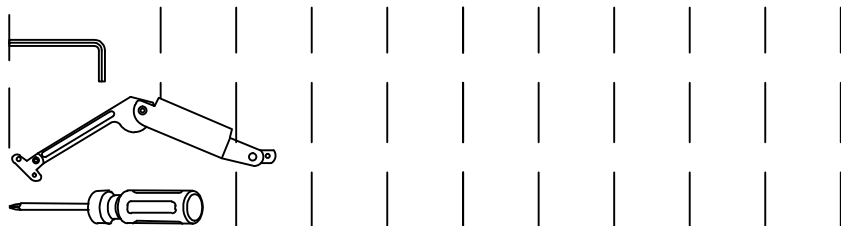
## Fixings (to scale)

Ref	Dimensions	Qty
<b>A</b>	<b>SCREW-3x19mm</b>	<b>28</b>
<b>B</b>	<b>SCREW-5/16"x40</b>	<b>8</b>
<b>C</b>	<b>Flat Washer-5/16"</b>	<b>8</b>
<b>D</b>	<b>SILICONE PAD-Ø25</b>	<b>8</b>

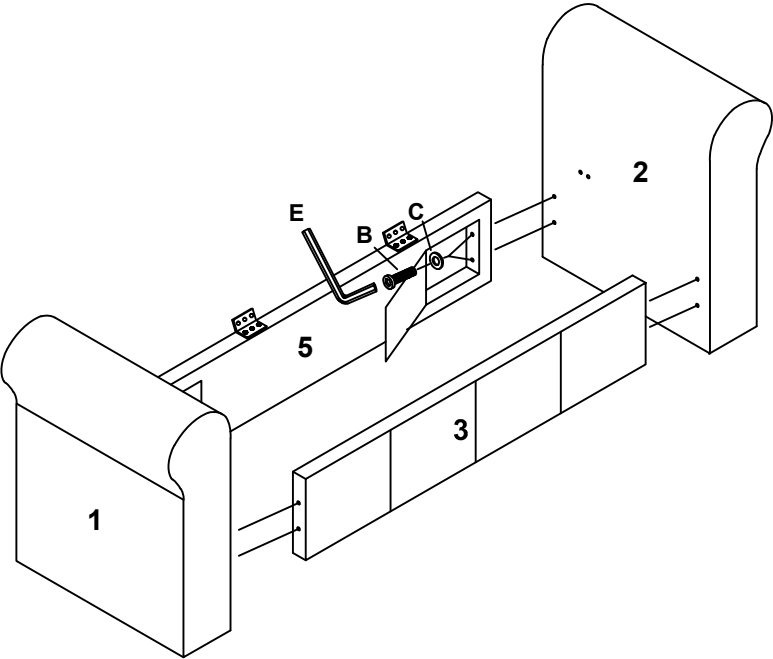
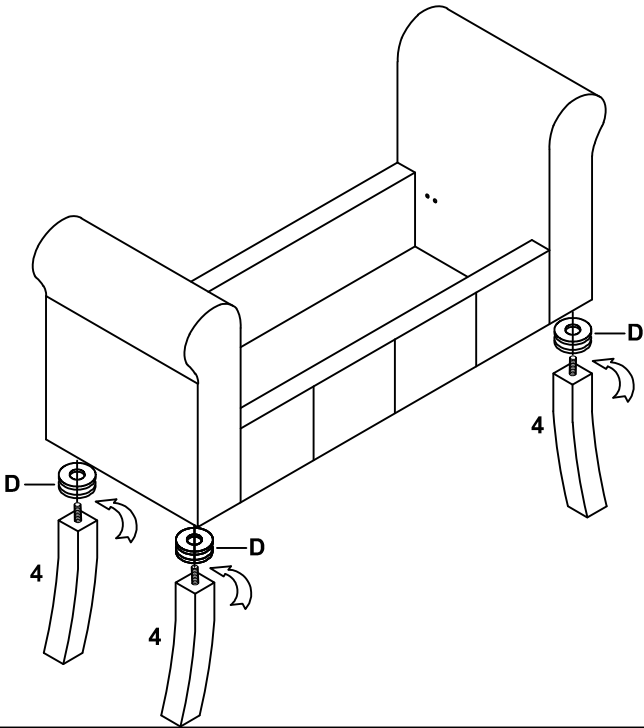


## Hardware list(Not to scale)

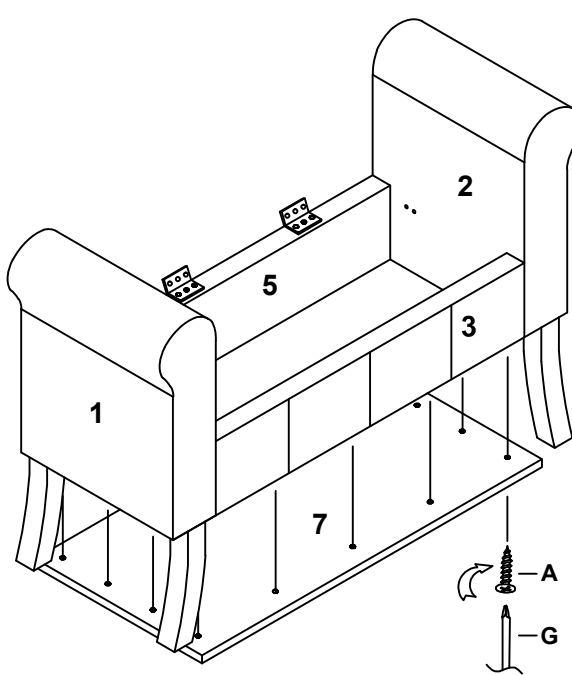
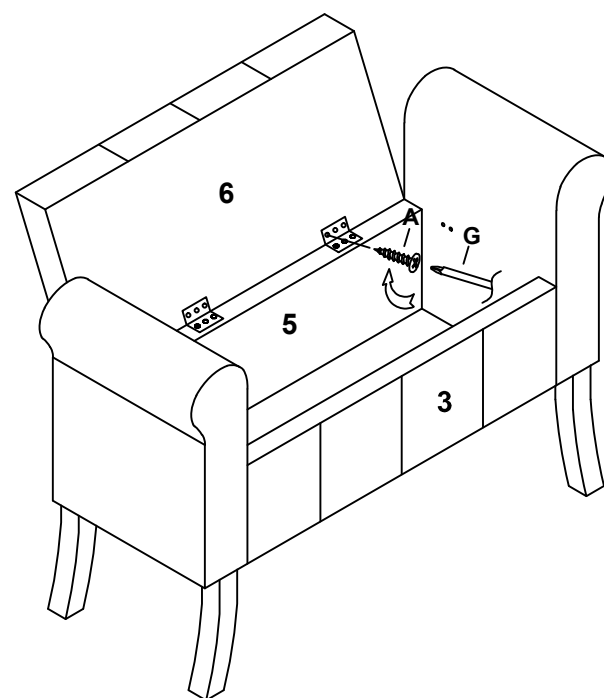
<b>E</b>	<b>4mm Allen Key</b>	<b>1</b>
<b>F</b>	<b>HINGE</b>	<b>2</b>
<b>G</b>	<b>PHILLIPS SCREWDRIVER (NOT SUPPLIED)</b>	<b>1</b>



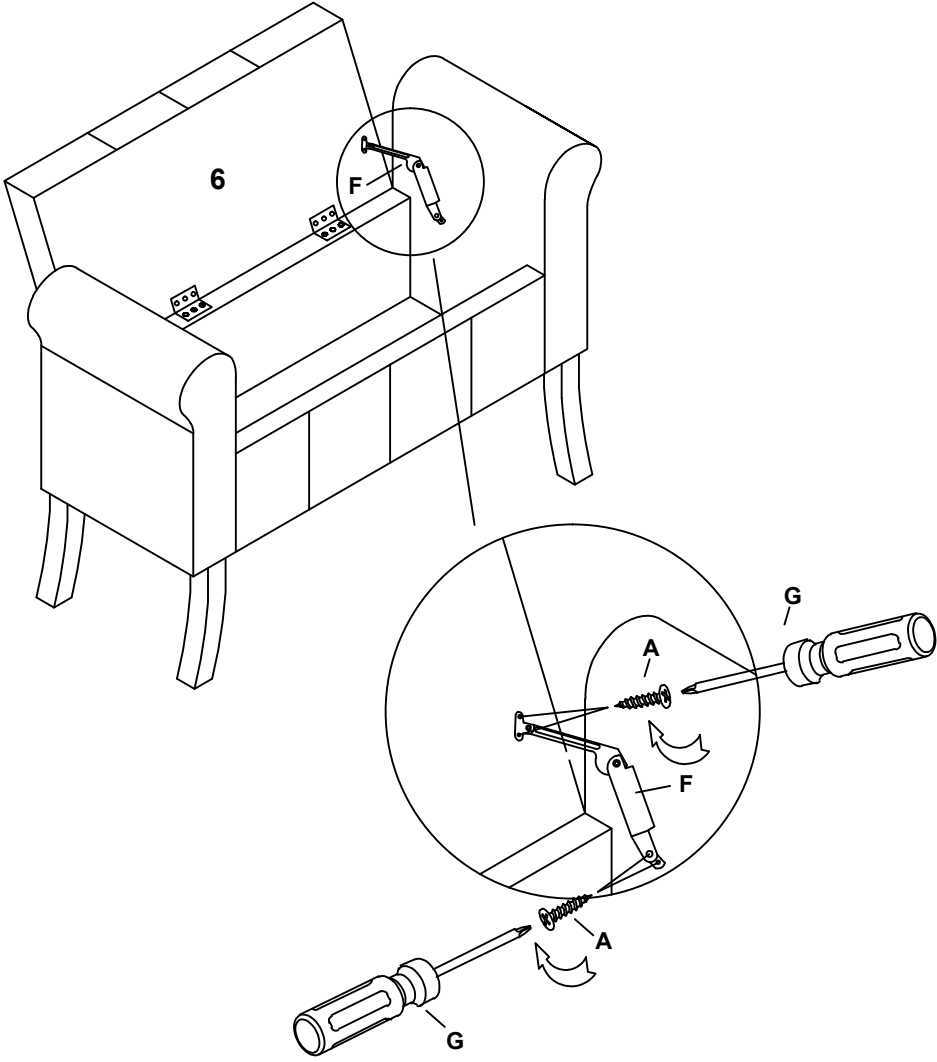
# OSBORNE WINDOW SEAT ASSEMBLY INSTRUCTIONS

STEP 1	Parts Required
	<p>1.LEFT SIDE PANEL 2.RIGHT SIDE PANEL 3.FRONT PANEL 5.BACK PANEL</p> <p>B x 8 C x 8 E x 1</p>
STEP 2	Parts Required
	<p>4.FEET x 4</p> <p>D x 8</p>

# OSBORNE WINDOW SEAT ASSEMBLY INSTRUCTIONS

STEP 3	Parts Required
	<p>1.LEFT SIDE PANEL 2.RIGHT SIDE PANEL 3.FRONT PANEL 5.BACK PANEL 7.BOTTOM PANEL</p> <p>A x 14 G x 1 (NOT SUPPLIED)</p>
	<p>6.SEAT CUSHION</p> <p>A x 6 G x 1 (NOT SUPPLIED)</p>

# OSBORNE WINDOW SEAT ASSEMBLY INSTRUCTIONS

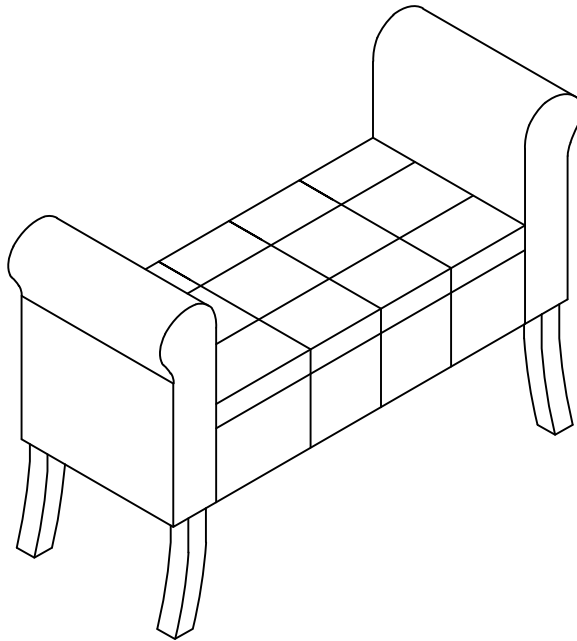
STEP 5	Parts Required
	<p>6. SEAT CUSHION</p> <p>A x 8 G x 1 (NOT SUPPLIED) F x 2</p>

## OSBORNE WINDOW SEAT ASSEMBLY INSTRUCTIONS

### Complete Assembly

**Your Window Seat is now completely assembled.**

**Periodically check to ensure that the components are in their proper position, free from damage. Also, make sure the connectors are tight and secure.**



**Keep instructions for future reference**