

Birlea

Suppliers of inspiration

Assembly Instructions

Thank you for
purchasing a
Birlea product.

For a chance to win a *Love 2 Shop* voucher simply post a picture of your new product on your preferred social channels tagging Birlea Furniture and using the hashtag **#ShareYourStyle** and **#Birlea**. One winner will be selected at random each month.

To view our full terms and conditions please visit our website. www.birlea.com

Are you happy with your purchase?

Yes: That's great, we would love to hear more from you. Please leave us a review on our social media channels or Trustpilot. Your feedback will be greatly appreciated.

No: If for any reason there is something missing, indifferent or incorrect with your order, please contact the retailer you purchased the item from. We will work with the retailer to resolve your issue as quickly as possible.



www.birlea.com

ASSEMBLY INSTRUCTIONS **URBAN MEDIUM SHELVING UNIT RUSTIC**

IMPORTANT : READ THESE INSTRUCTIONS CAREFULLY BEFORE ATTEMPTING TO ASSEMBLE OR USE YOUR URBAN MEDIUM SHELVING UNIT RUSTIC.

PLEASE KEEP THESE INSTRUCTIONS FOR FUTURE REFERENCE.

ASSEMBLY:

Assembly should be carried out with this item laying flat, not standing upright.

Assemble on a soft, clean surface to prevent damages.

To erase the numbers printed on the pieces, use the rubber inside the accessories pack.

HEALTH & SAFETY:

DO NOT use this product if any parts are missing, damaged or worn.

DO NOT use this product unless all fixings are secured.

Always use on a level, even surface.

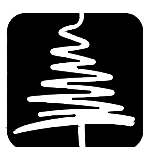
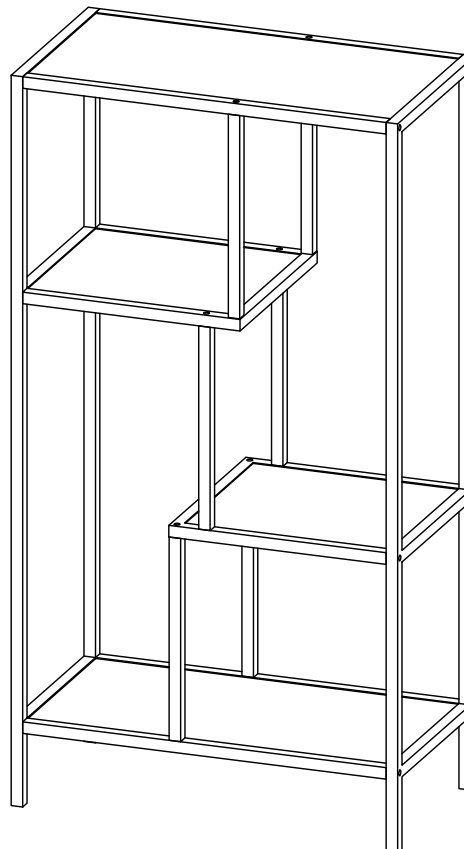
CARE & MAINTENANCE:

Periodically check all screws & fixings to ensure they are secure.

DO NOT push this product as this will cause damage.

Always lift this product with two people to repositions.

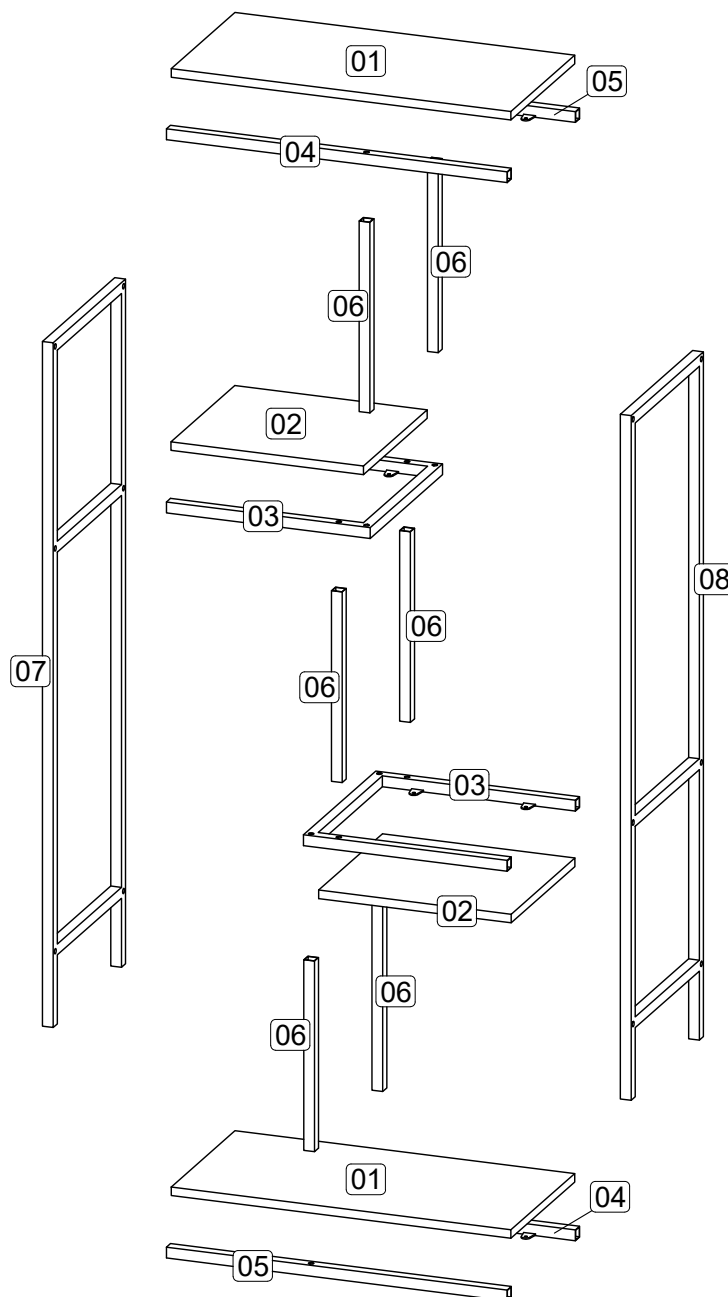
Keep any sharp objects away from this product.



Birlea

Suppliers of inspiration

www.birlea.com



Parts List		
Part	Description	Qty
01	Top/Bottom panel	2
02	Middle panel	2
03	Metal Middle	2
04	Top/Bottom Metal Middle - 1	2
05	Top/Bottom Metal Middle - 2	2
06	Metal Center	6
07	Metal Side - L	1
08	Metal Side - R	1

Hardware List		
Part	Description	Qty
A	Allen key M4	1
B	JCBC screw M6 x 40mm	24
C	M3.5 x 16mm C.B Screw	18
D	8" x 1" PP tape	2
E	Wall plug	-
F	M4 x 38mm C.B Screw	-

** You will need a small mallet and a screwdriver for assembly.

** Some screws and wooden dowel may remain.

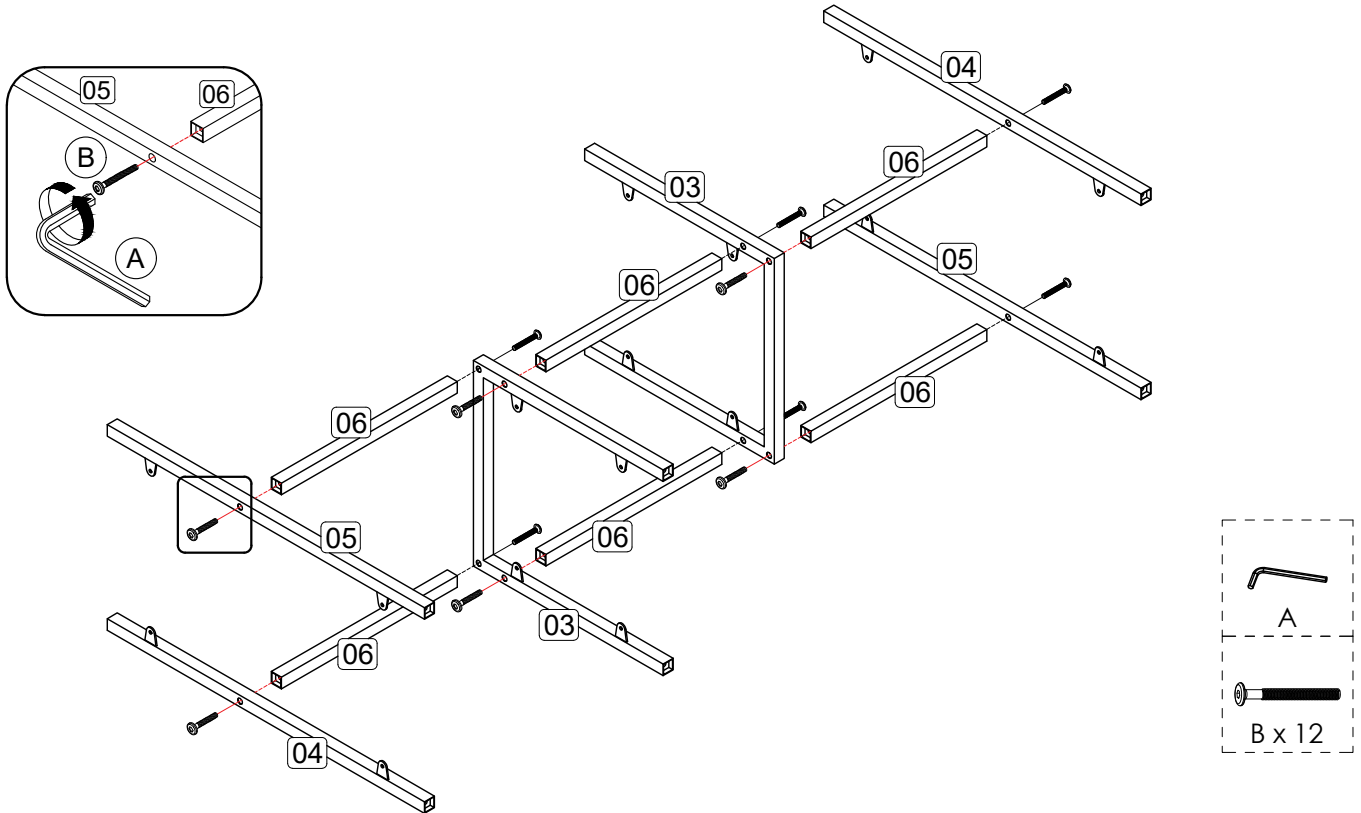
** Note : To secure the item to the wall, hardware E (2 pcs) and F (2 pcs) are not provided.



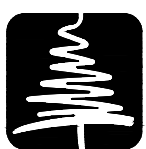
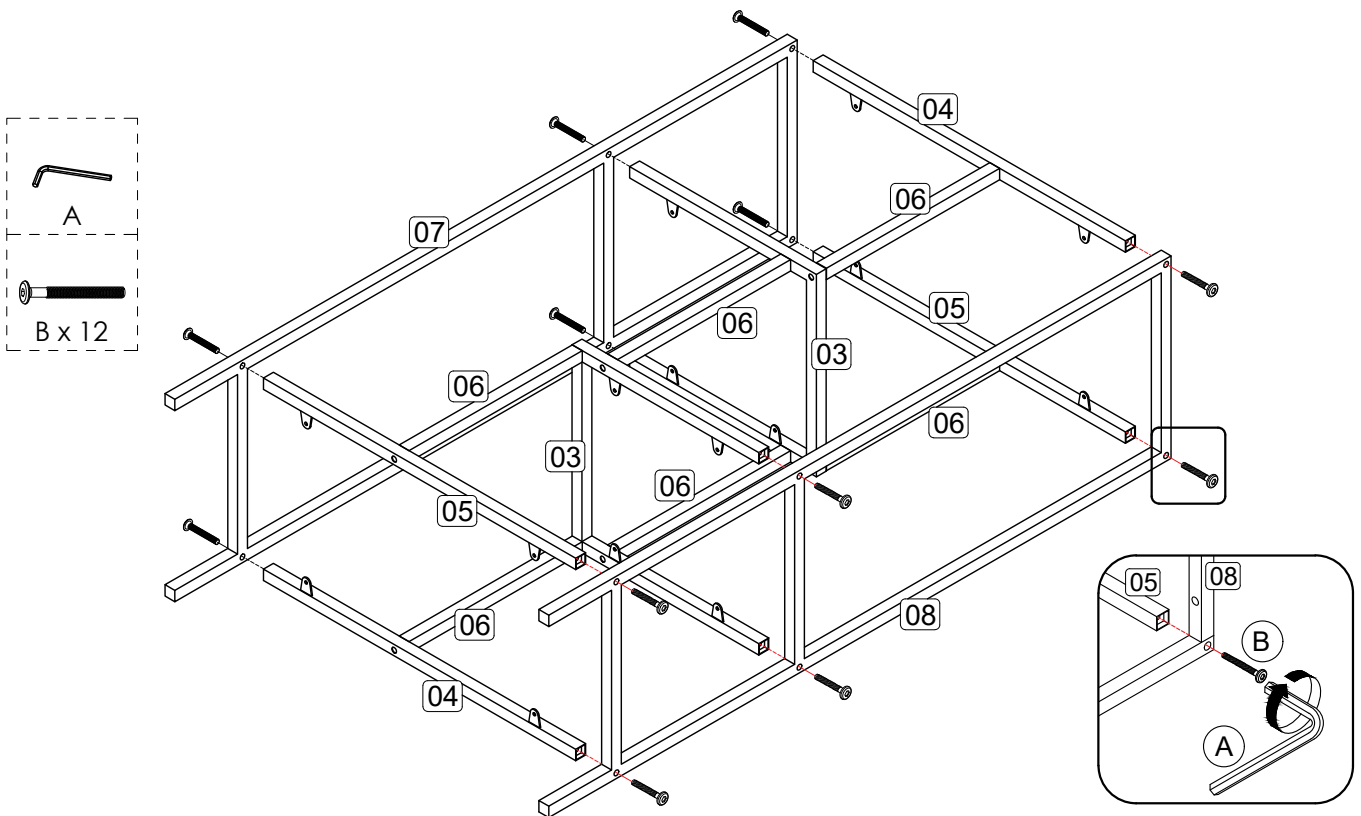
Birlea

Suppliers of inspiration

Step 1: Attach Metal Middle (3), Top/Bottom Metal Middle (4) and (5) to Metal Center (6) using hardware A and B.
DO NOT use any power tools as this may damage the frame and will invalidate any claim.



Step 2: Attach Metal Side-L (7) and Metal Side-R (8) to Metal Middle (3), Top/Bottom Metal Middle (4) and (5) using hardware A and B.
DO NOT use any power tools as this may damage the frame and will invalidate any claim.

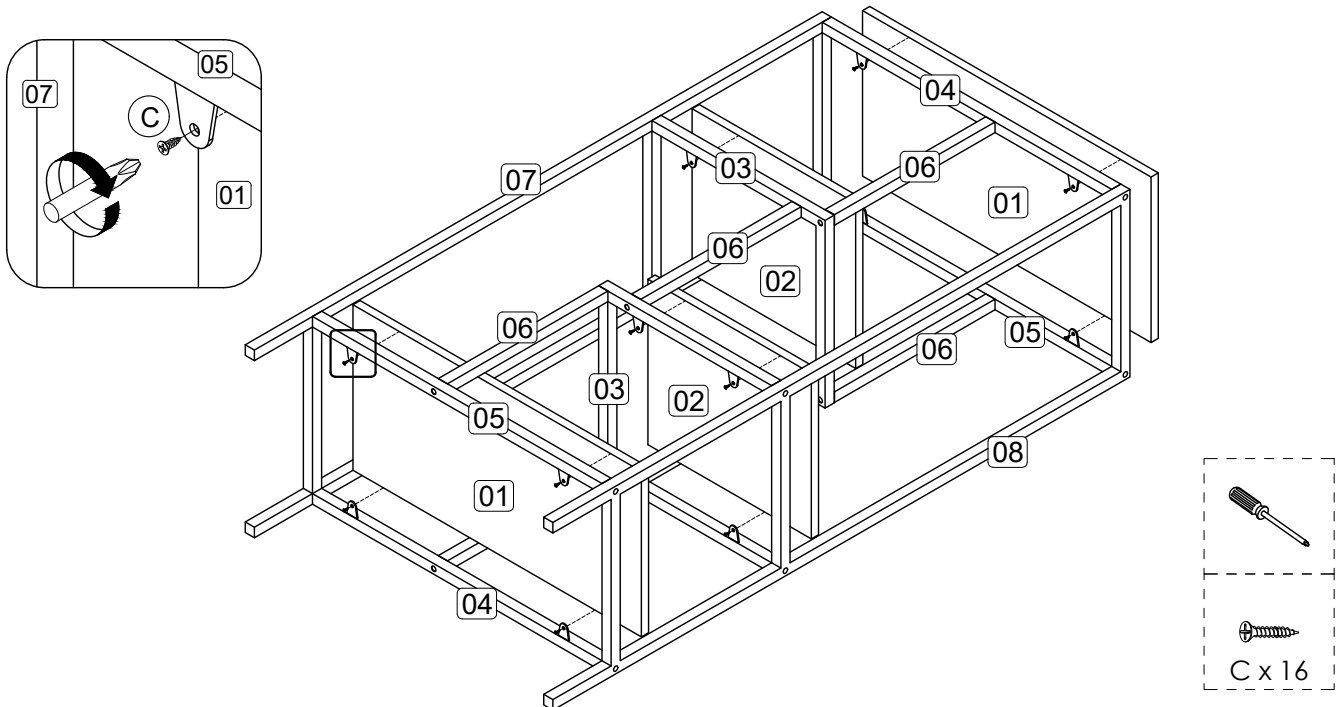


Birlea

Suppliers of inspiration

Step 3: Attach Top/Bottom panel (1) and Middle panel (2) to Metal Middle (3), Top/Bottom Metal Middle (4) and (5) using hardware C with a screwdriver (not provided).

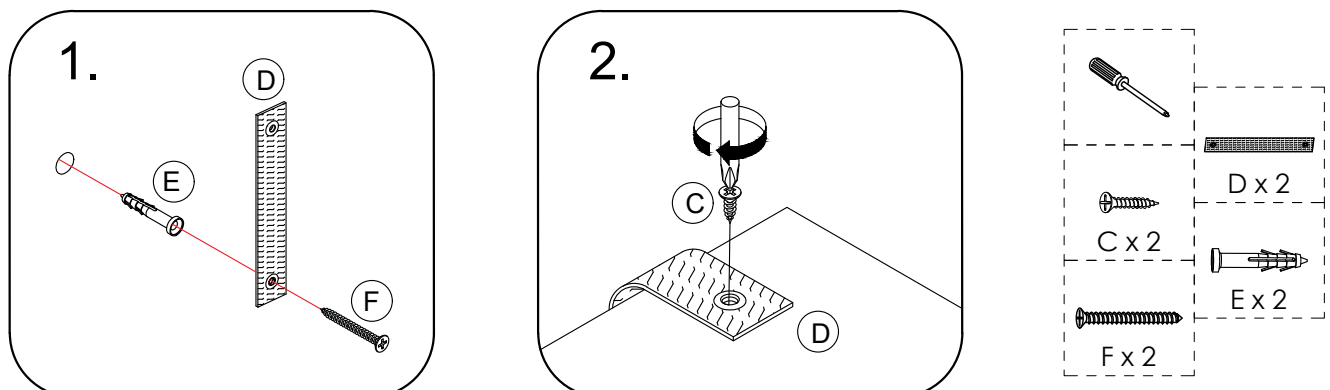
DO NOT use any power tools as this may damage the frame and will invalidate any claim.



Step 4: To secure the item to the wall use hardware D, E and F using a screwdriver (not provided).

Then attach hardware part D to Top panel (1) using hardware C with a screwdriver (not provided).

DO NOT use any power tools as this may damage the frame and will invalidate any claim.



PLEASE NOTE that wall fixings are not supplied as different wall materials require different fixing devices. You must use fixings devices suitable for the type of wall you intend to mount product to. Ensure the head of any screw used has a diameter greater than the mounting hole and the fixing is safe and secure before use.

Birlea Furniture advise you use the wall straps provided to further enhance the safety of this product.

Additional Information:

- For complete product information, images and dimension diagrams please visit the website www.birlea.com
- If you have any issues with your item please contact the retailer directly you purchased it from who will be able to resolve any issues with Birlea.
- Why don't you send us photos of your assembled furniture to info@birlea.com to be shared in our #birleahome feature on instagram.



Birlea

Suppliers of inspiration