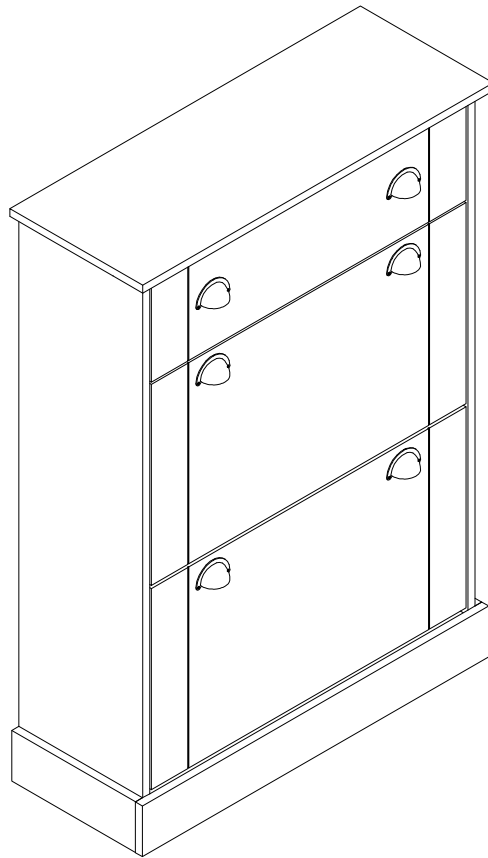


KENDAL DELUXE SHOE CABINET ASSEMBLY INSTRUCTIONS

Thank you for purchasing the *KENDAL DELUXE SHOE CABINET*. Please read the instructions carefully to ensure safe operation of the product.



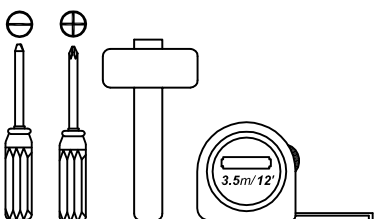
Size: 765 x 290 x 1085mm

PLEASE READ this sheet prior to assembly to familiarise yourself with the various stages of construction.

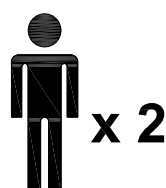
Carefully open the pack supplied and check the contents against the parts and fittings check list. Do not destroy any of the packaging until you are certain that you have all the necessary parts for the assembly.

CAUTION: There are small components used in the construction of this unit. These loose items should be kept away from young children whilst assembling your unit to avoid the danger of choking hazards.

Tools Required



Person Required



Approximate Assembly Time



IMPORTANT - READ CAREFULLY - RETAIN THESE INSTRUCTIONS FOR FUTURE REFERENCE.

INFORMATION

- Due to the size of this product we recommend that it is assembled in the room intended for use.
- When you are ready to start, make sure that you have the right tools, plenty of space and a clean, dry area for assembly.
- Unwrap all packaging materials and place the components on top of the carton box or on a clean floor to prevent it from scratching.
- Check the pack and make sure you have all the parts listed.
- Ensure that this product is fully assembled as illustrated before use.
- Check all screws or bolts are tightened and inspect regularly.
- This product should only be used on firm, level ground.
- Keep small parts out of reach of children.
- Make sure the legs remain in contact with the ground.
- Tools not included.

WARNINGS

- DO NOT use power tools to construct this product.
- DO NOT over tighten screws or bolts.
- DO NOT use this product if parts are missing, damaged or worn.
- DO NOT sit or stand on the product.
- It is essential that this unit is fixed to the wall with the brackets provided for safety reasons. NB wall fixings are not included. Please source suitable fixings for your wall type. If in doubt please consult a qualified tradesperson.
- WARNING: Always ensure the area to be drilled is free from hidden electrical wires, water or gas pipes.

CARE INFORMATION

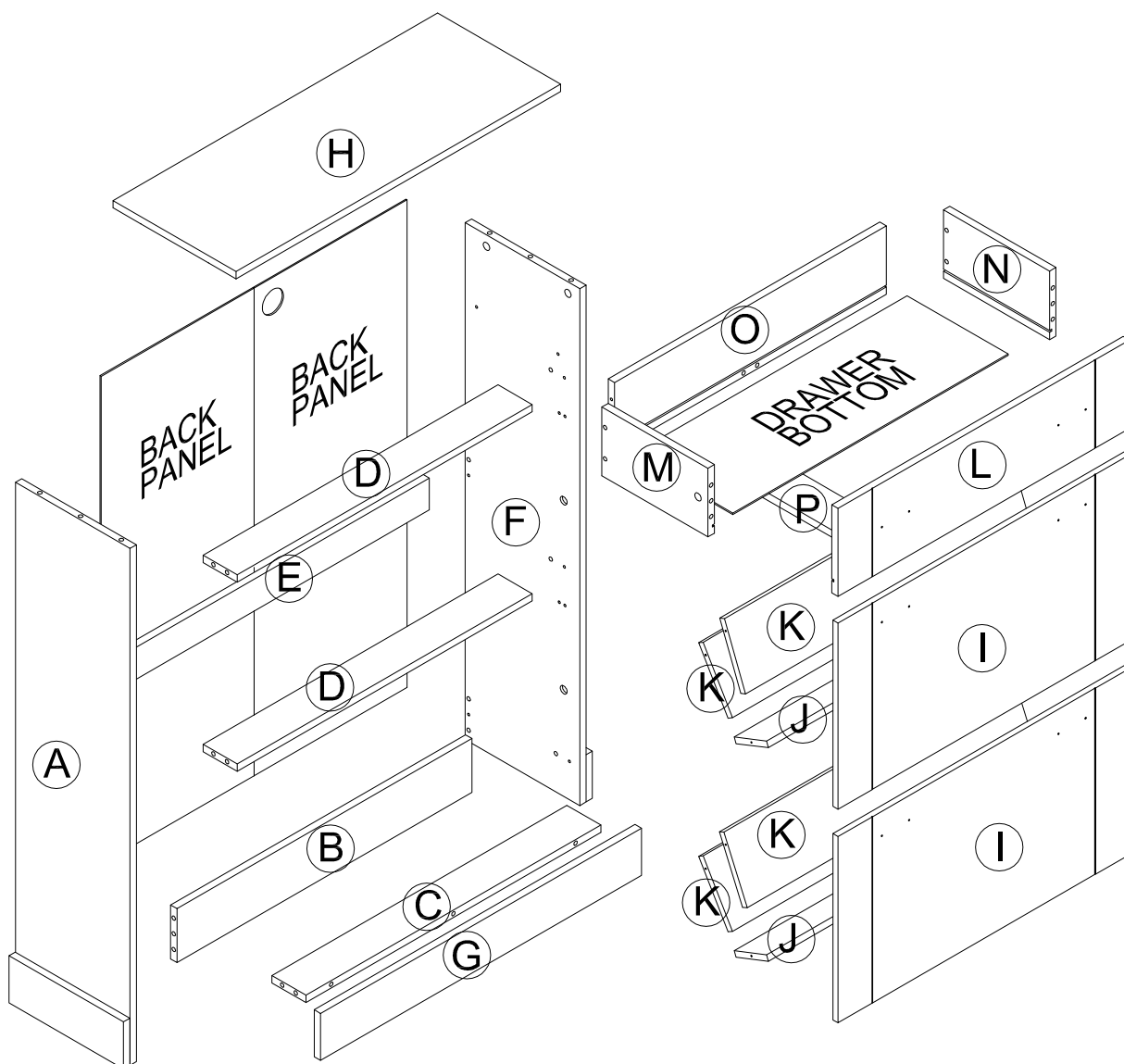
- Never use scourers, abrasives or chemical cleaners.
- To clean wipe with a sponge and warm soapy water. Do not use solvent based cleaners or detergents as they can bleach or damage the product.

Please check the pack contents before assembling the product. If any components are missing, please contact your retailer. The fittings pack contains small items that should be kept away from small children.

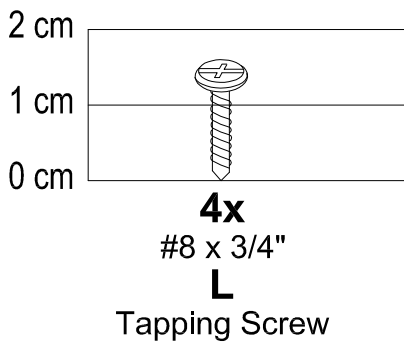
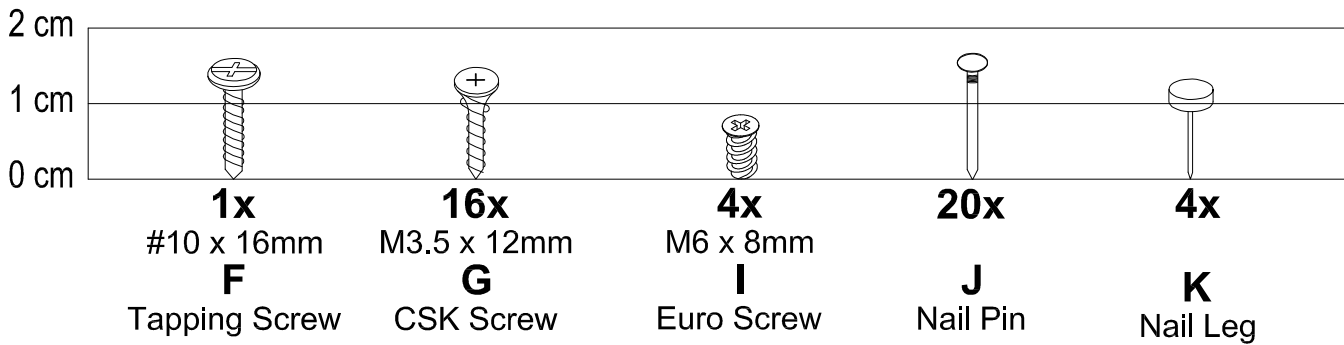
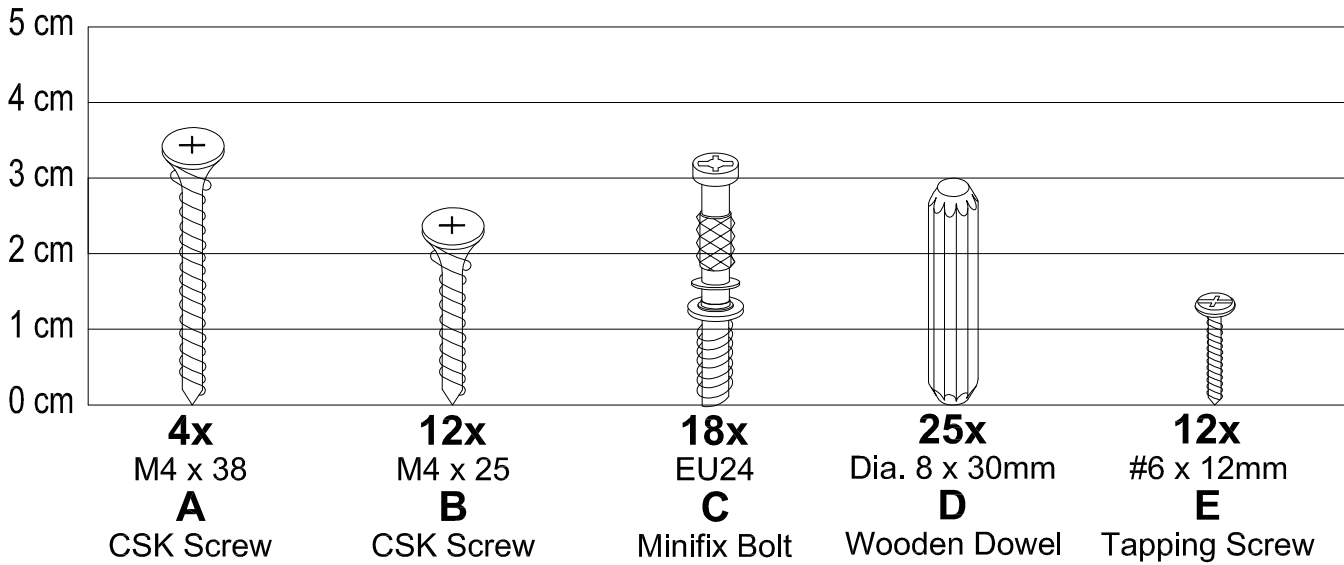
Parts

CODE	PART NAME	QTY	DIMENSION
A	Side Panel - L	1	1055 x 30 x 270mm
B	Back Leg Panel	1	695 x 15 x 110mm
C	Leg Support Panel	1	695 x 15 x 80mm
D	Middle Support Panel	2	695 x 15 x 80mm
E	Back Support Panel	1	695 x 15 x 65mm
F	Side Panel - R	1	1055 x 30 x 270mm
G	Front Panel	1	756 x 15 x 96mm
H	Top Panel	1	765 x 30 x 290mm
I	Door Panel	2	687 x 12 x 380mm

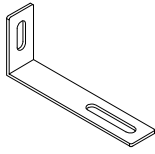
CODE	PART NAME	QTY	DIMENSION
J	Door Support Panel	2	680 x 12 x 82mm
K	Door Shelf Panel	4	675 x 12 x 138mm
L	Drawer Front	1	687 x 15 x 180mm
M	Drawer Side - L	1	250 x 15 x 140mm
N	Drawer Side - R	1	250 x 15 x 140mm
O	Drawer Back	1	640 x 15 x 140mm
P	Drawer Support	1	230 x 15 x 80mm
	Drawer Bottom	1	649 x 3 x 238mm
	Back Panel	1	995 x 3 x 721mm



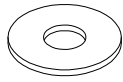
Fixings (to scale)



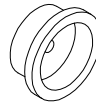
Fixings (to scale)



1x
76 x 15 x 31 x 1.5
M
L-Mounting
Bracket



1x
D-16mm
N
Flat Washer



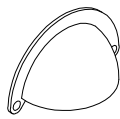
4x
O
Shoe Rack
Holder Support



4x
P
Shoe Rack
Holder Stopper



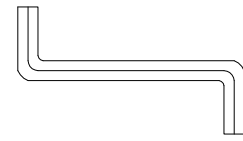
18x
Dia.15 x 12mm
Q
Minifix Cam



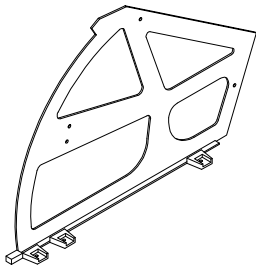
6x
H-64mm
R
Pocket Handle



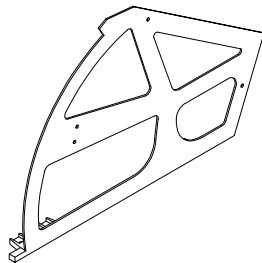
4x
H
Shoe Rack
Door Stopper



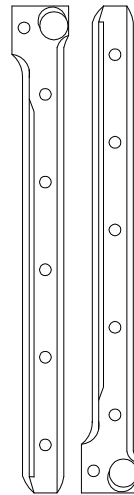
1x
M4
S
Allen Key



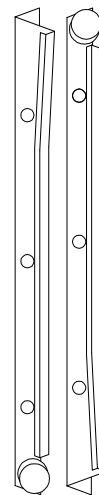
2x
T
Shoe Rack
Holder L



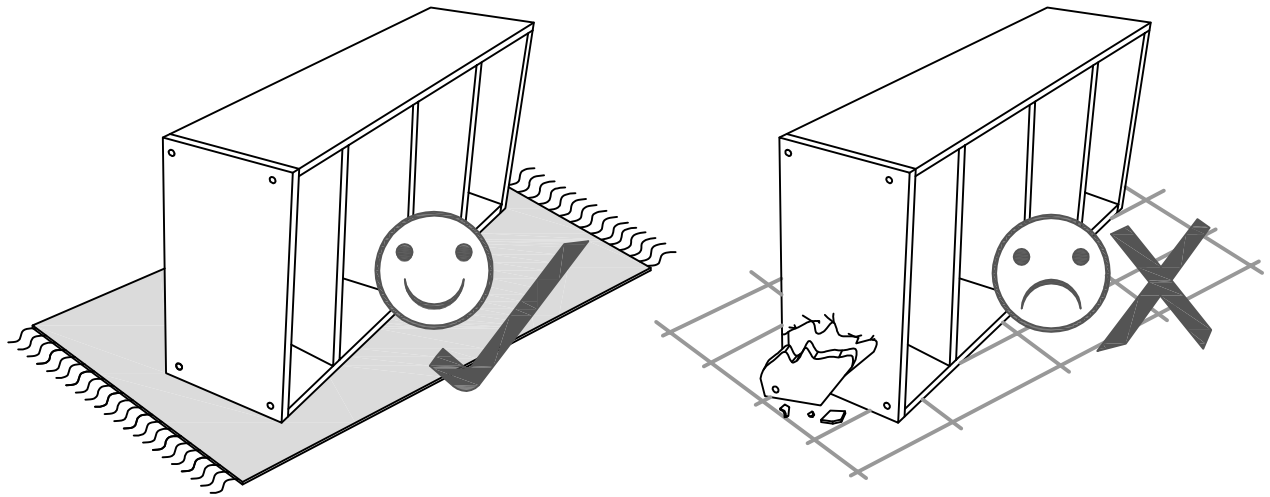
2x
U
Shoe Rack
Holder R



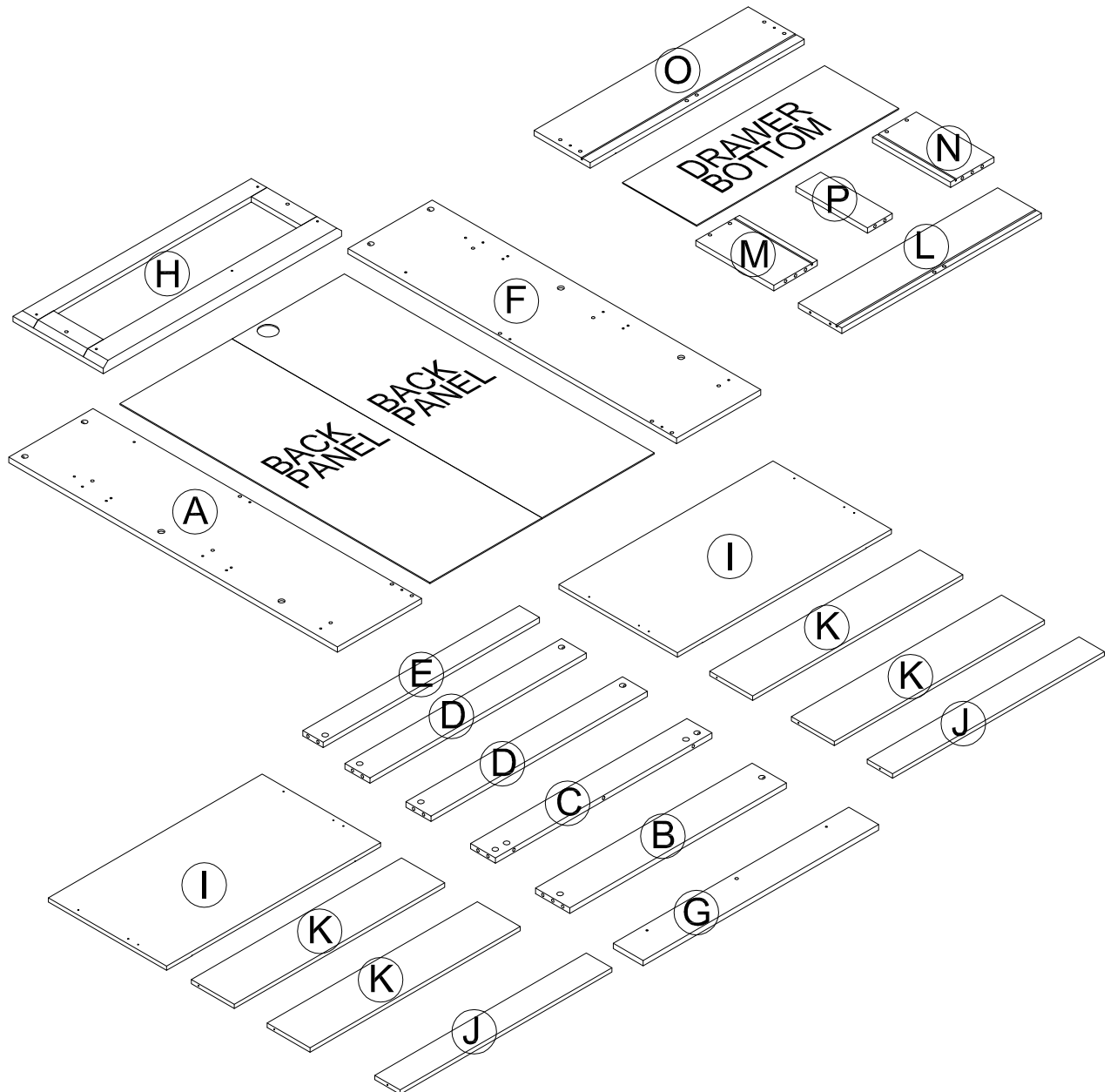
1 Setx
10"(250mm)
V
Drawer Slide



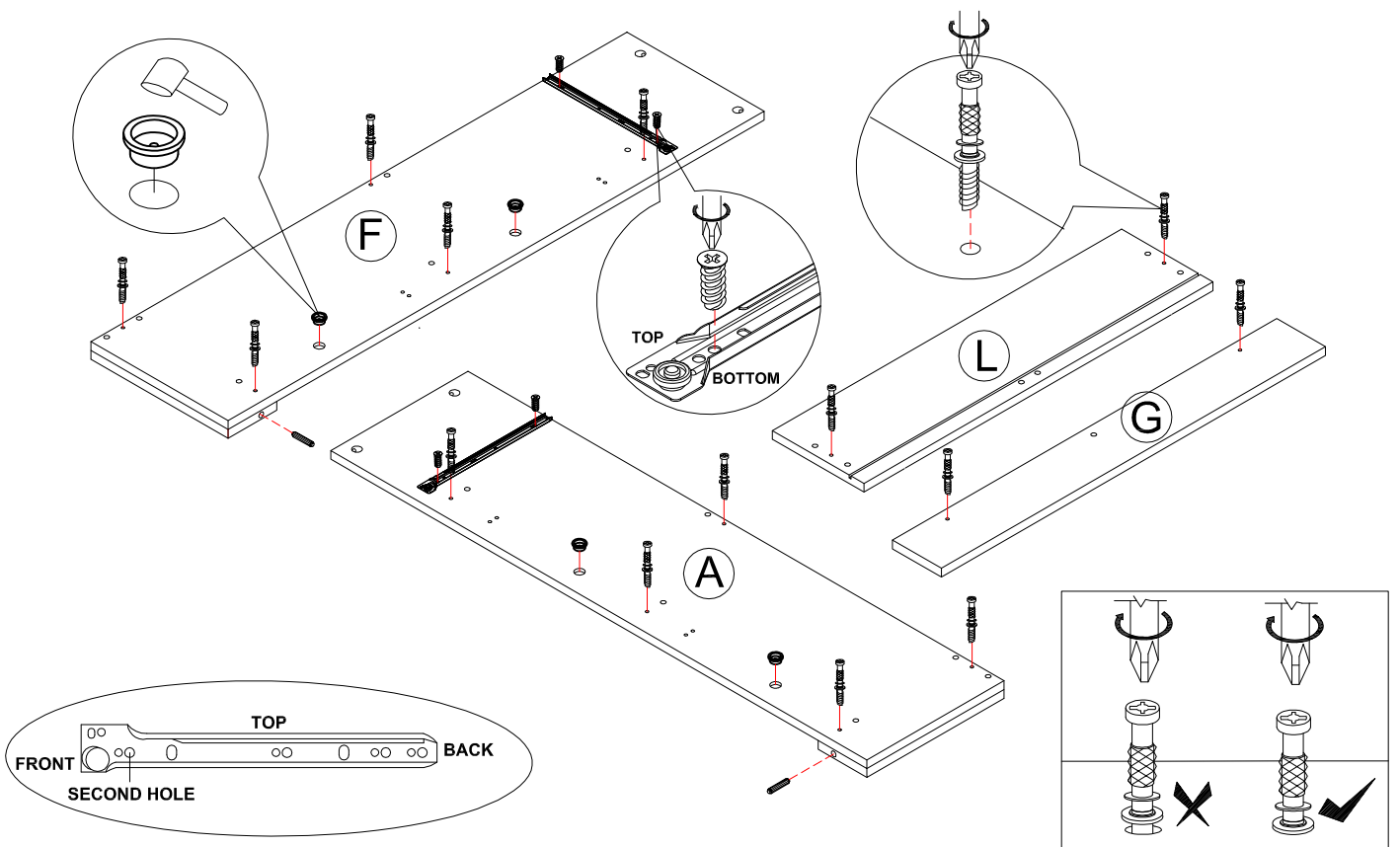
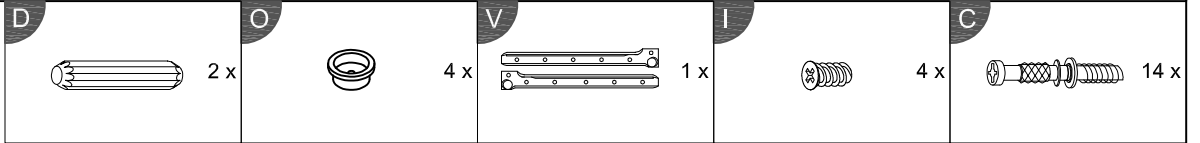
1 Setx
10"(250mm)
W
Drawer Slide



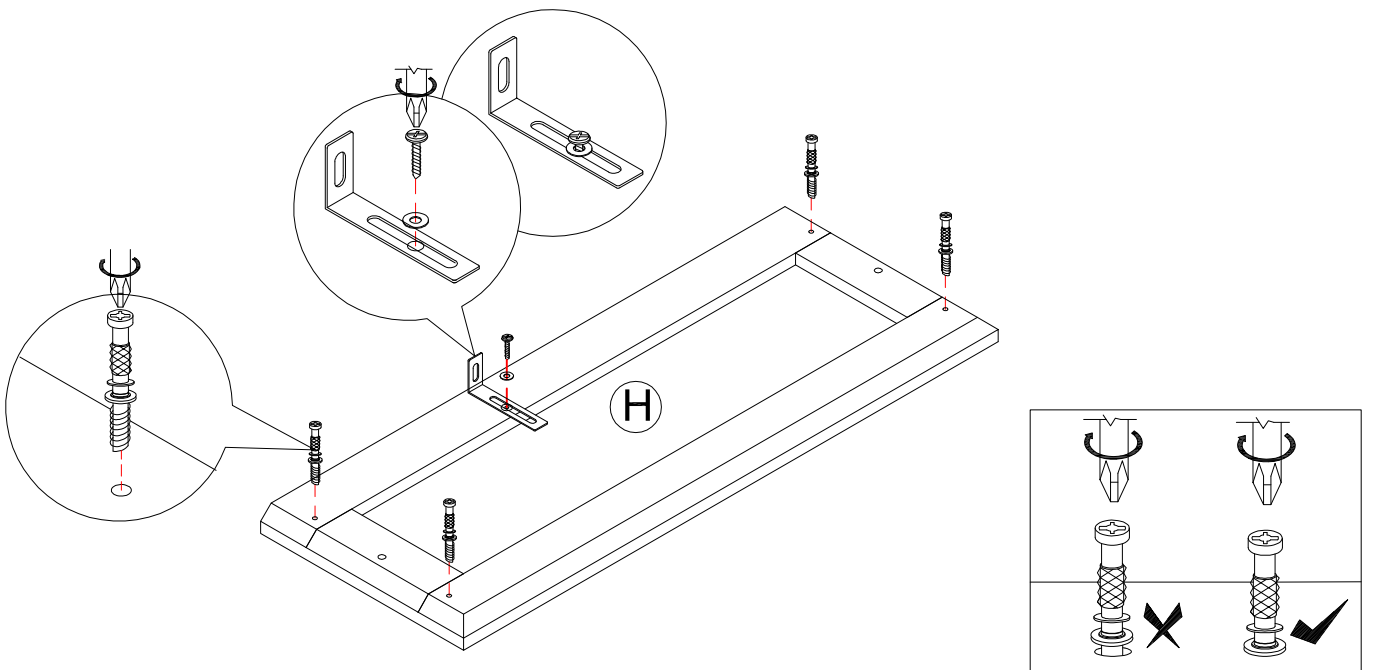
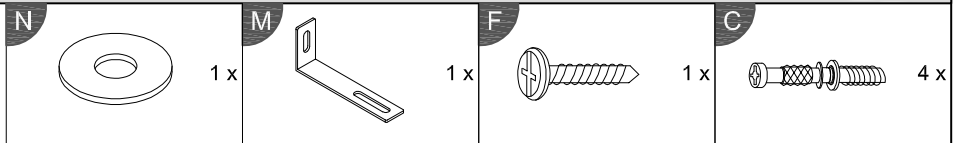
Layout Parts on Soft Surface



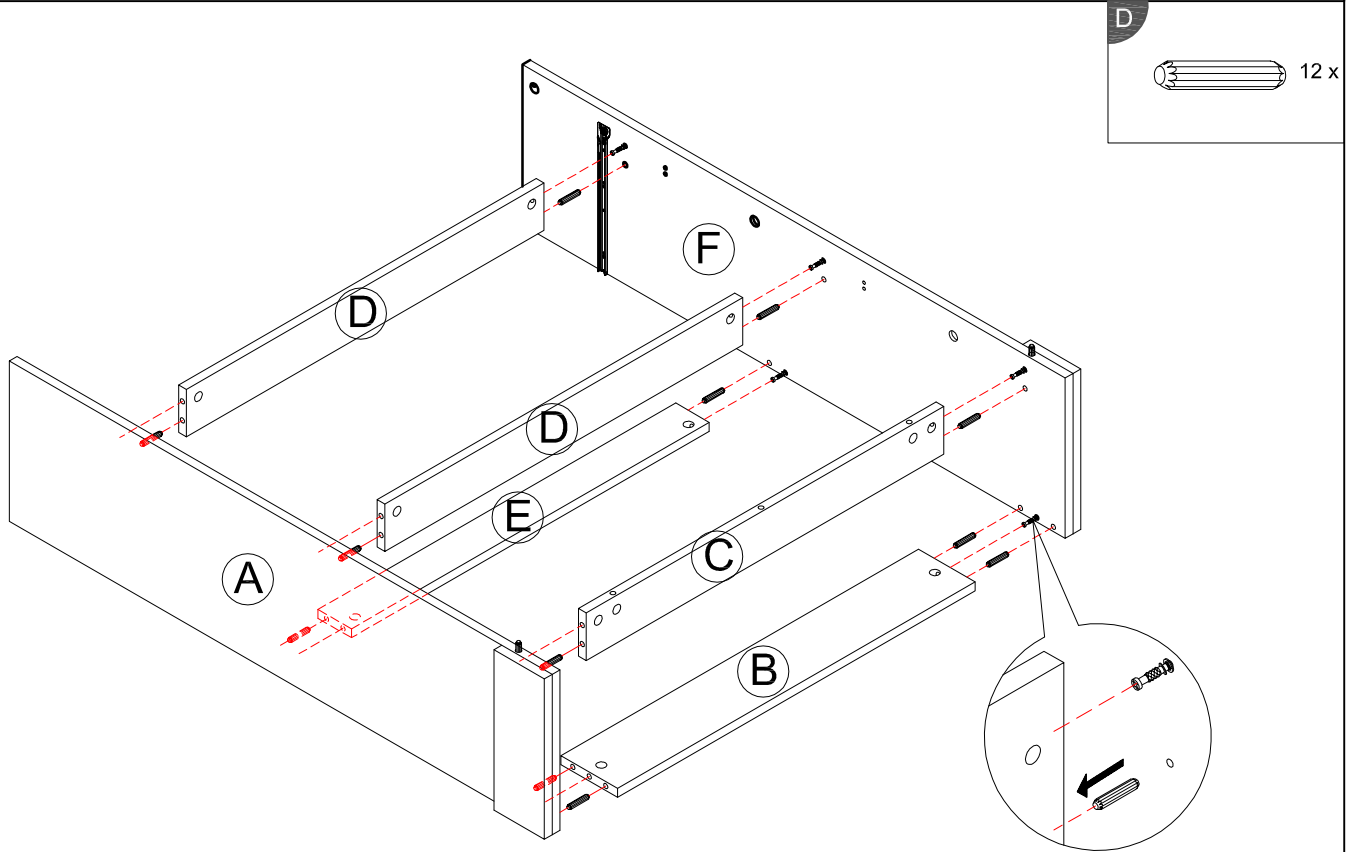
STEP 1



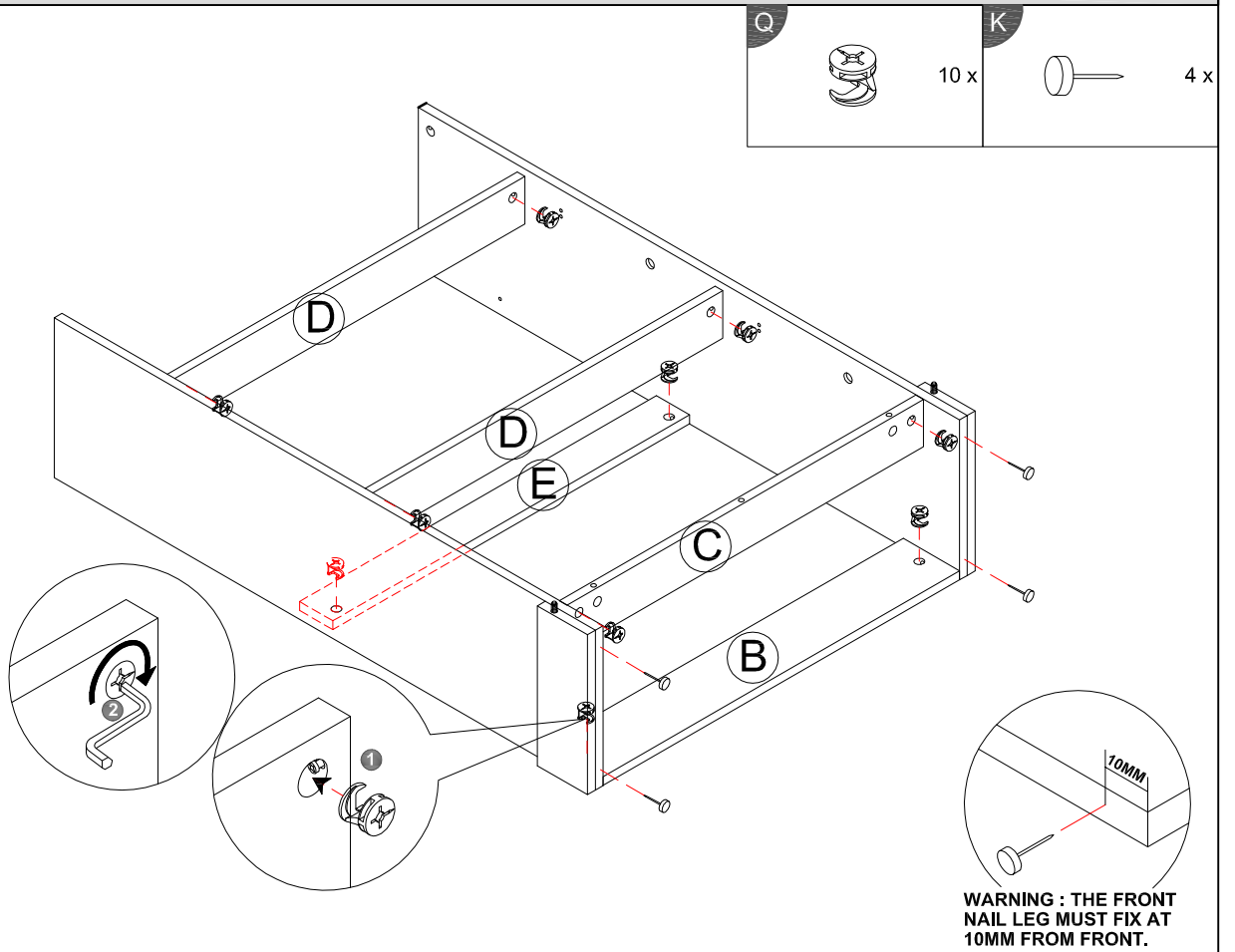
STEP 2



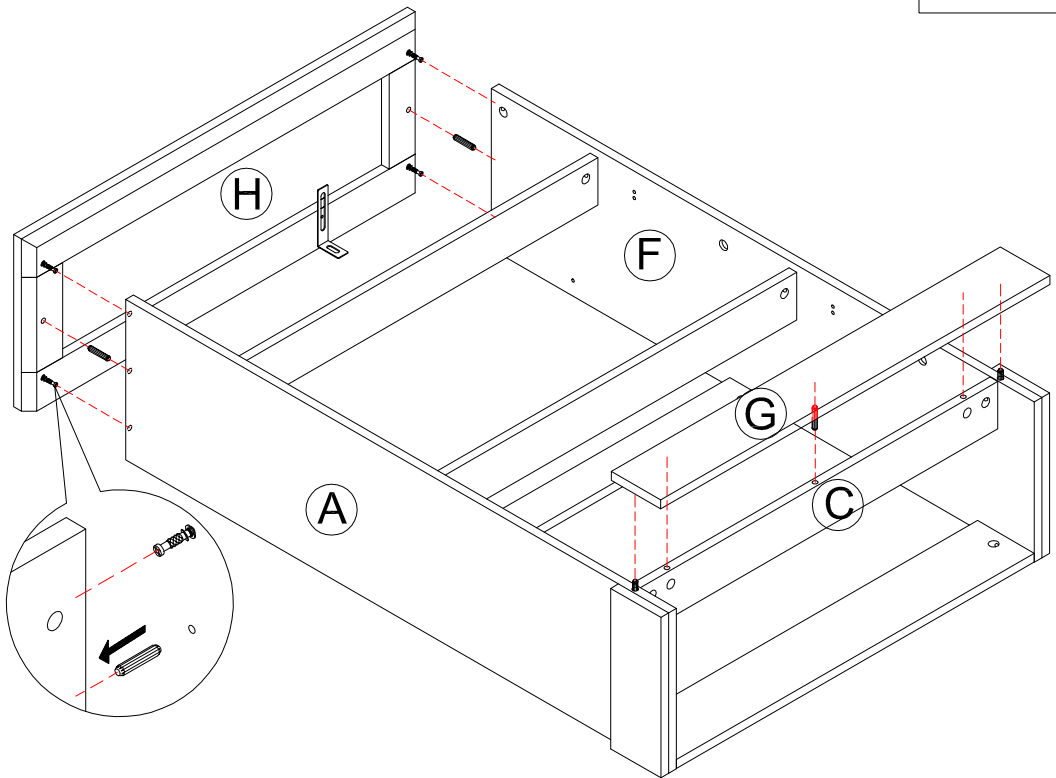
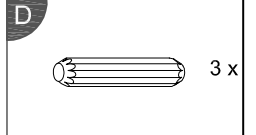
STEP 3



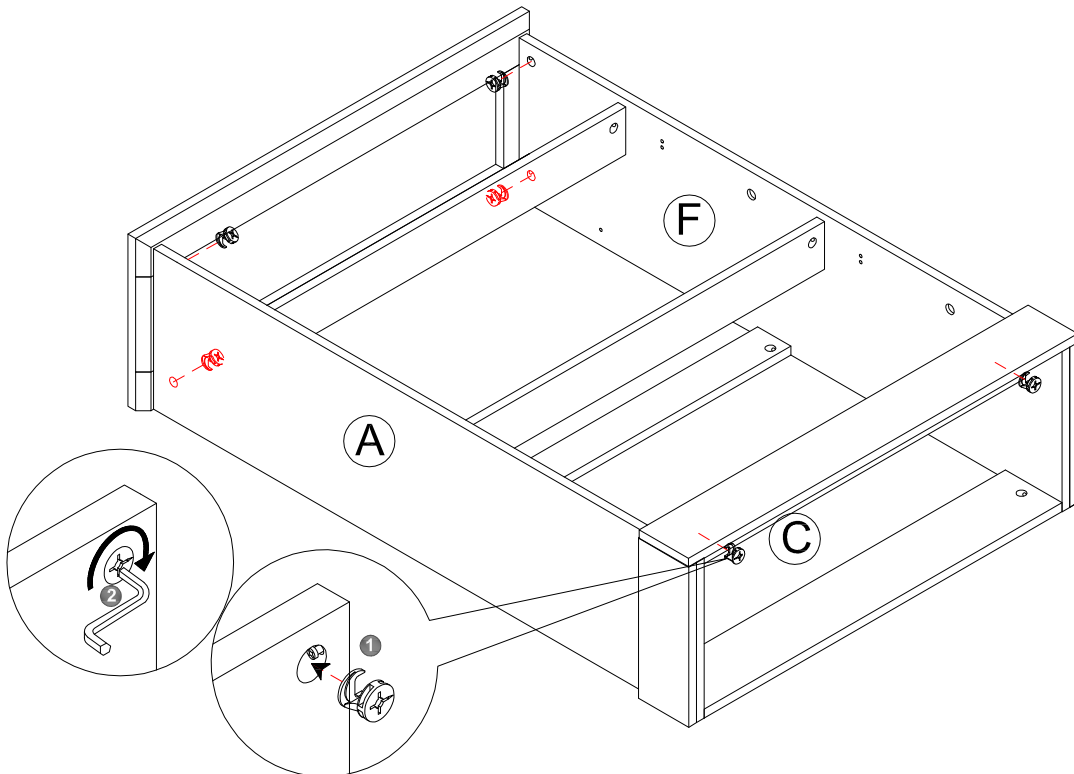
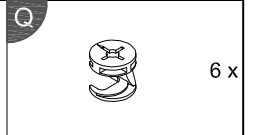
STEP 4



STEP 5

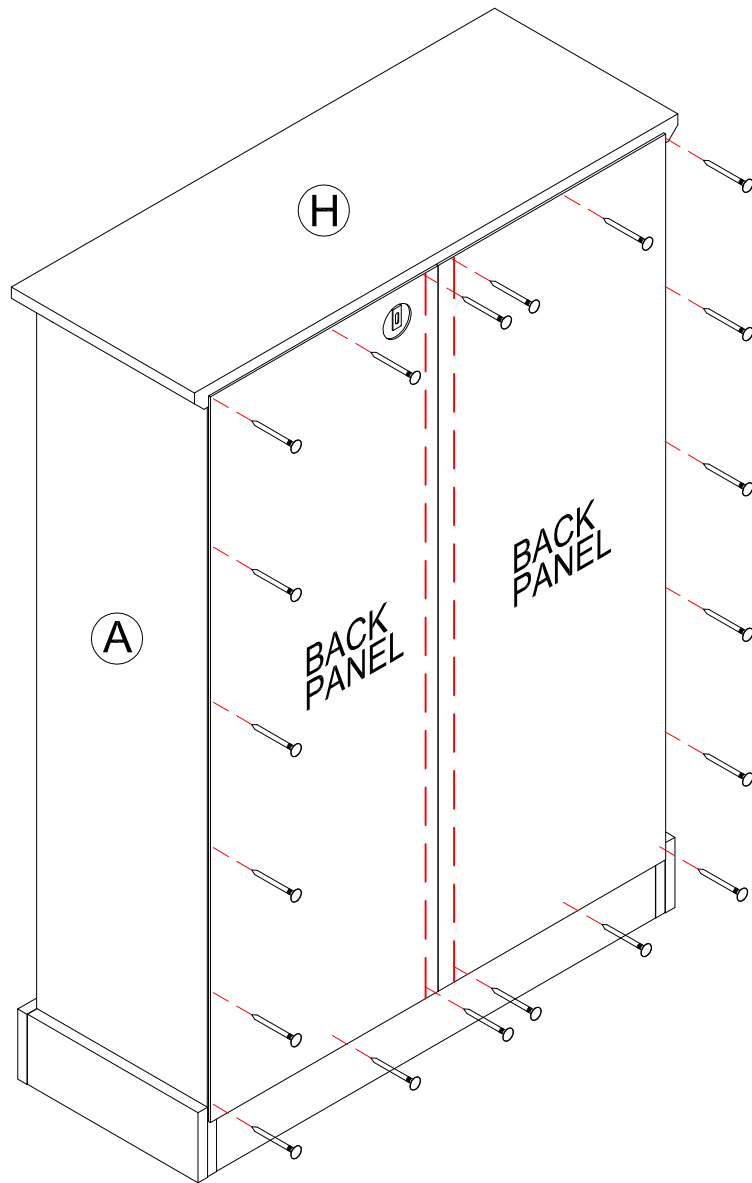
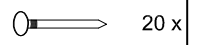


STEP 6

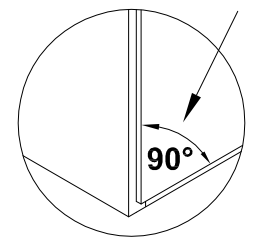


STEP 7

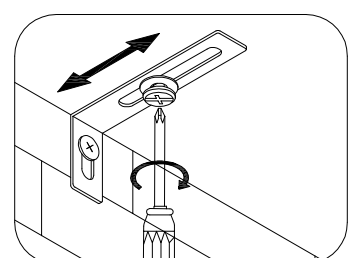
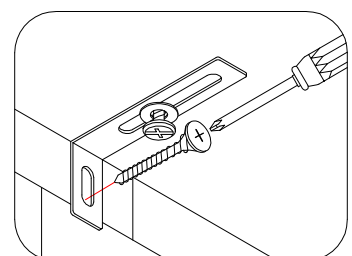
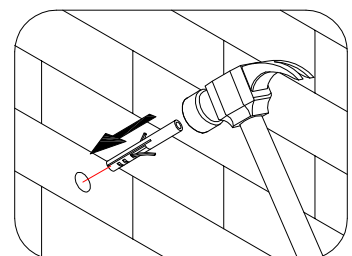
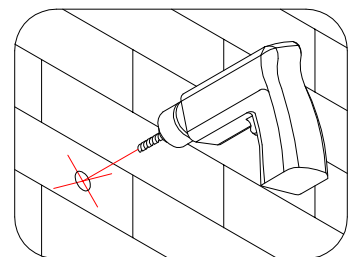
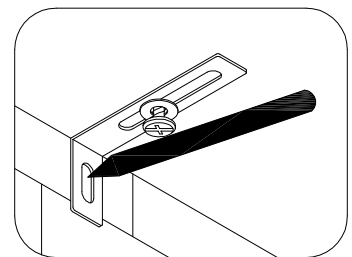
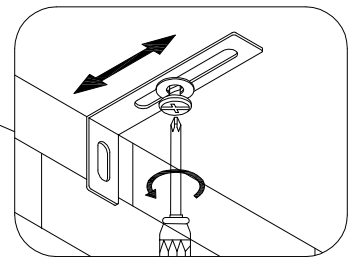
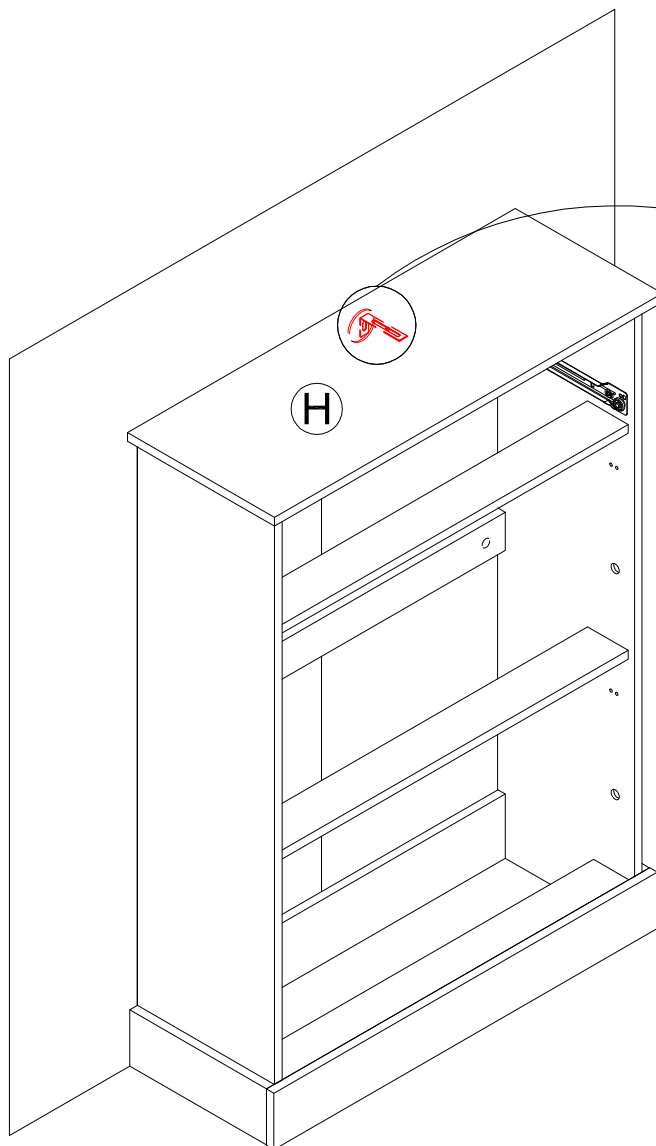
J



PLEASE ENSURE THAT EACH OF THE FOUR CORNERS OF THE CABINET IS SQUARE.



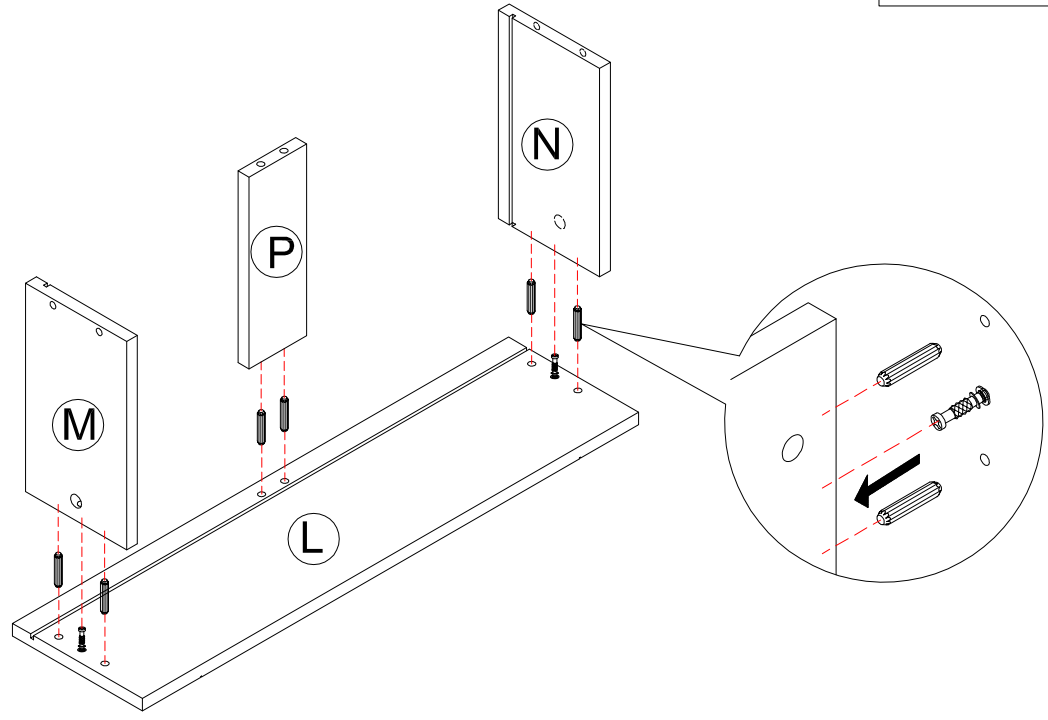
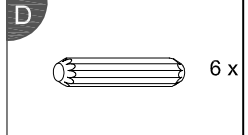
STEP 8



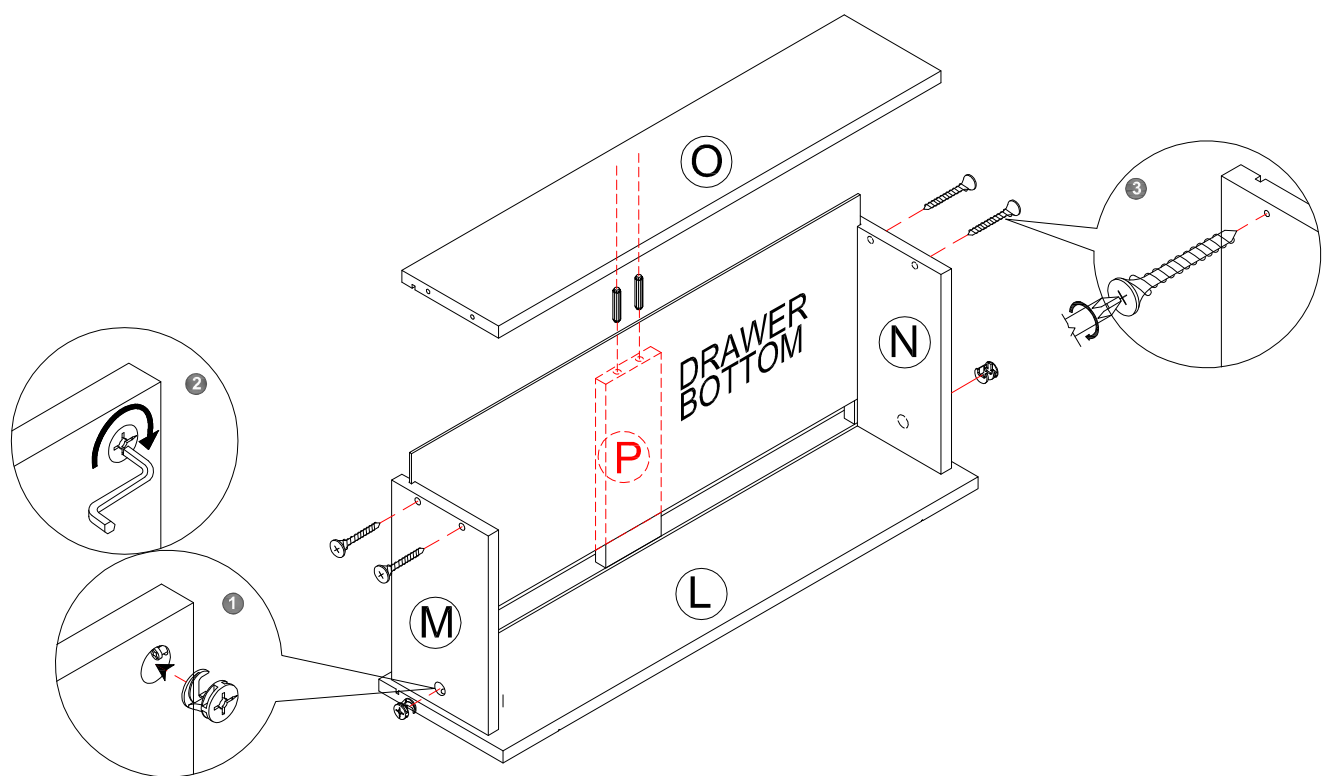
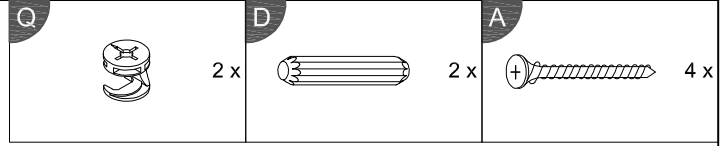
NOTE : Wall fixing are not supplied with this product as different wall materials require different types of fixing devices (such as Rawl plugs on brick work). You must use fixing devices suitable for the type of wall you intend to mount this product to. Please ensure that the head of any screw used has a diameter greater than the diameter of the mounting hole on the product and that the fixing is safe and secure before use.

The brackets and screws which to fix the strap on to the furniture are provided only.

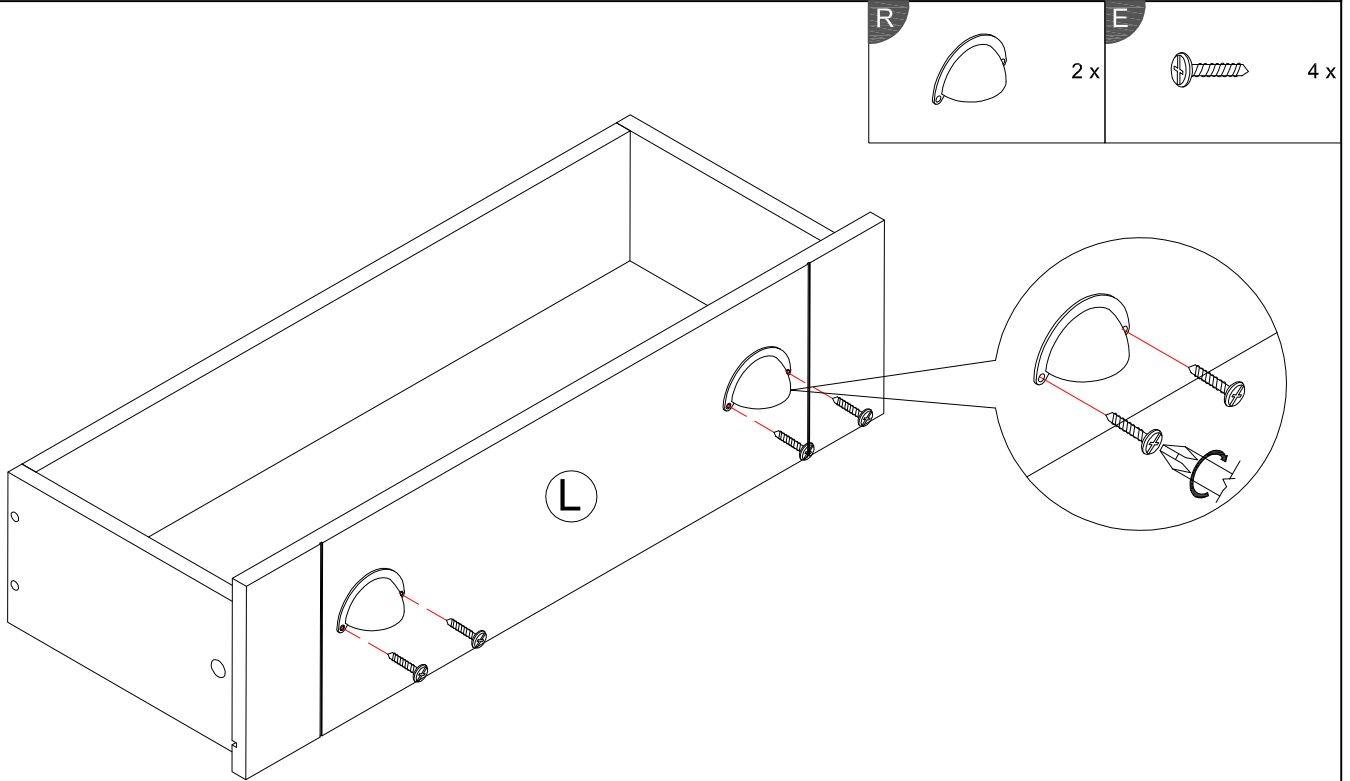
STEP 9



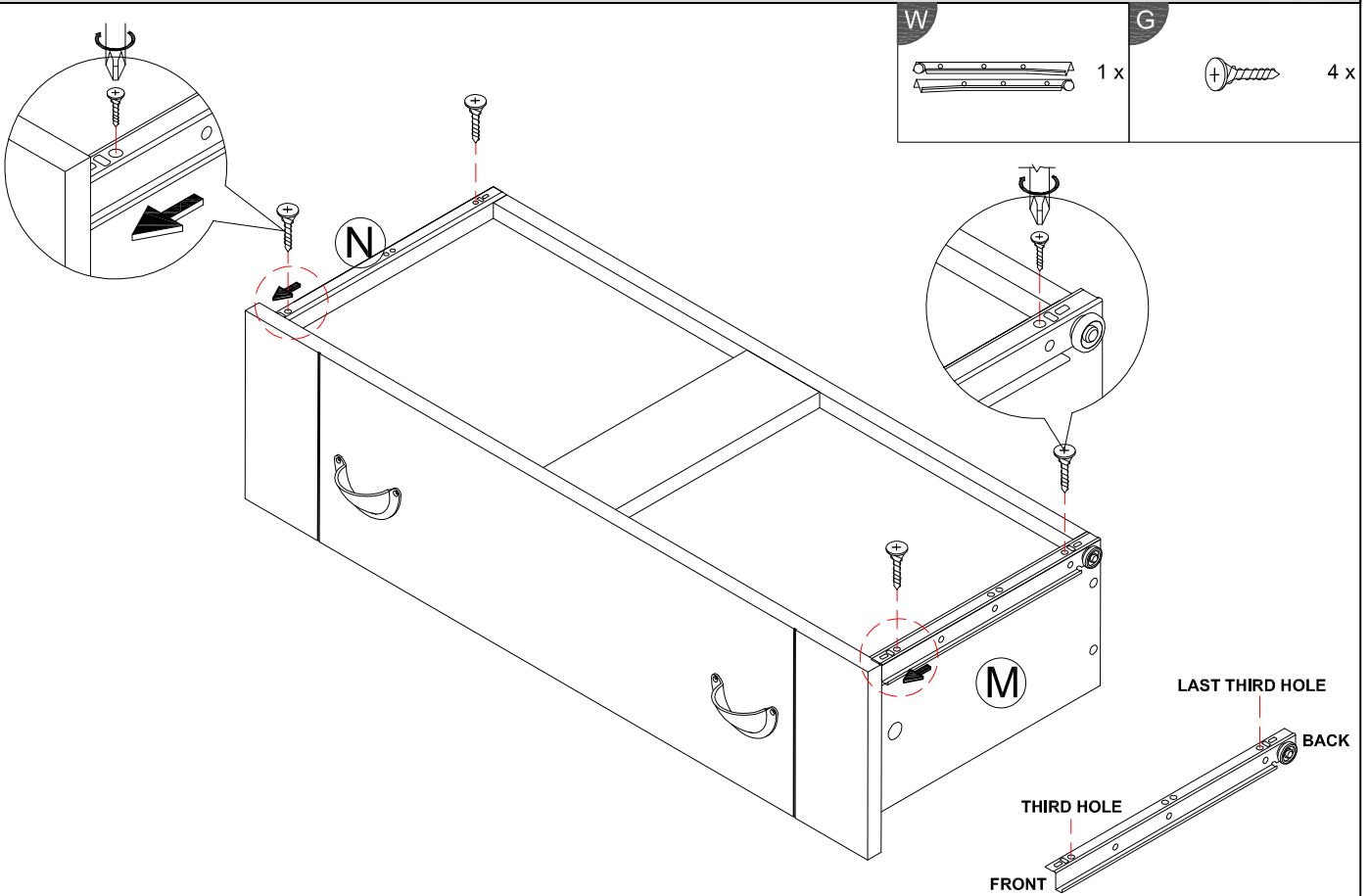
STEP 10



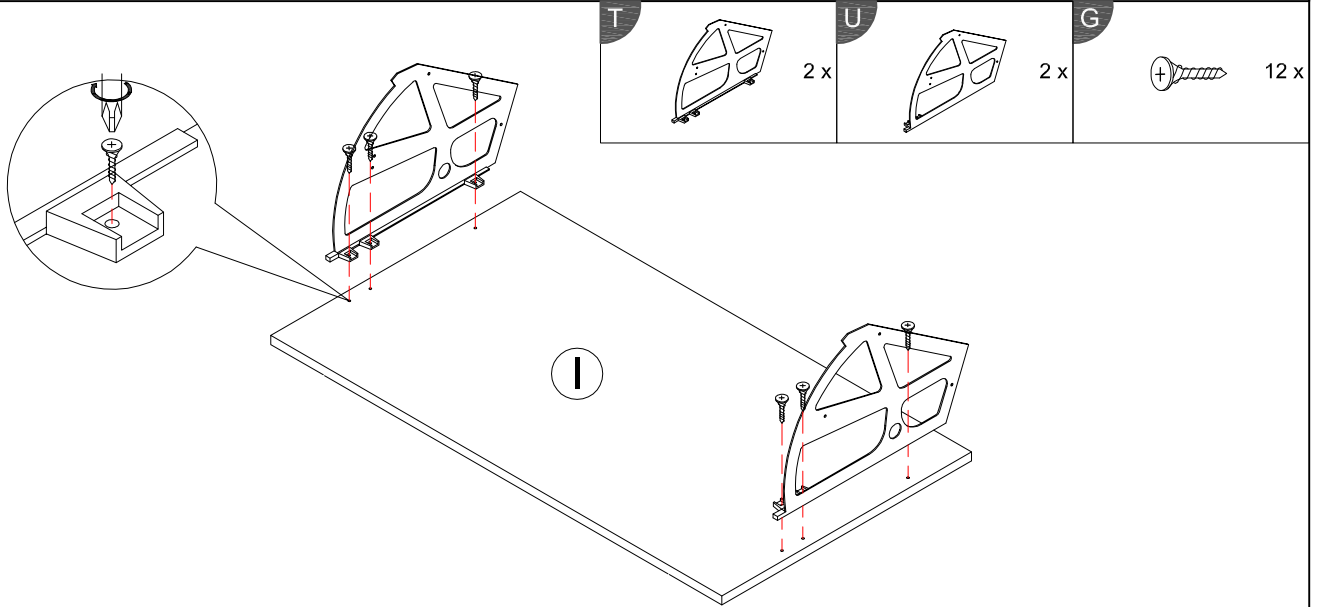
STEP 11



STEP 12

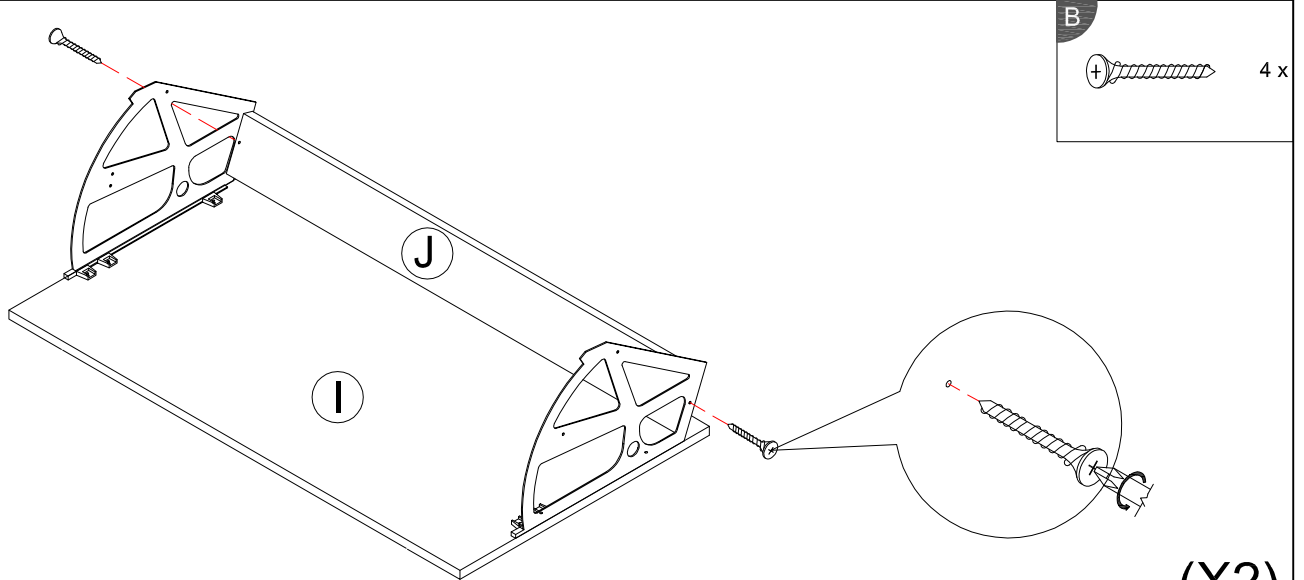


STEP 13



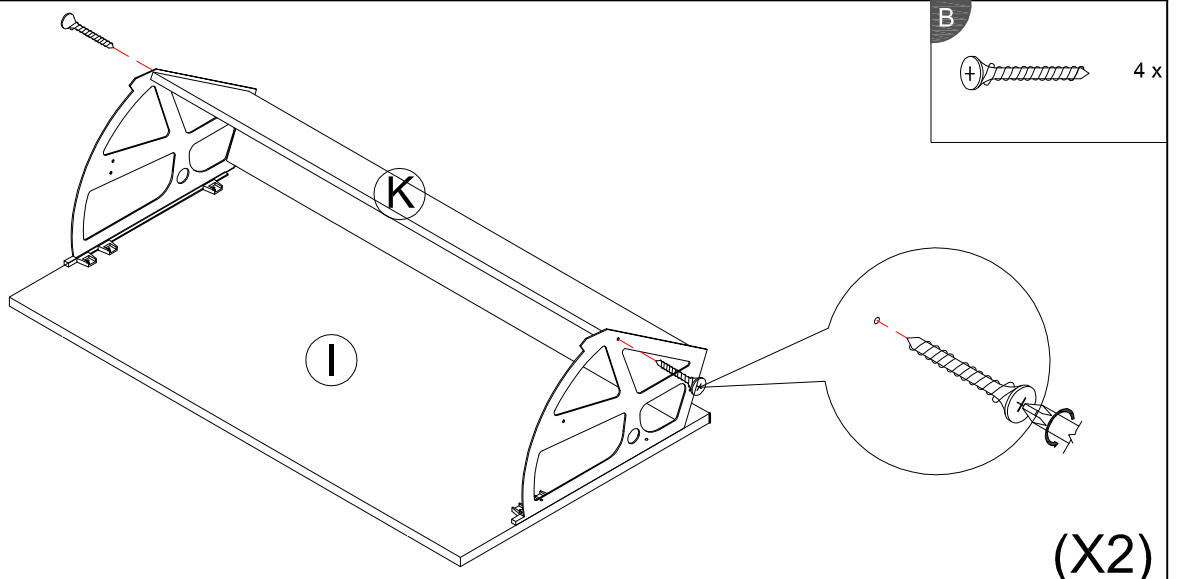
(X2)

STEP 14



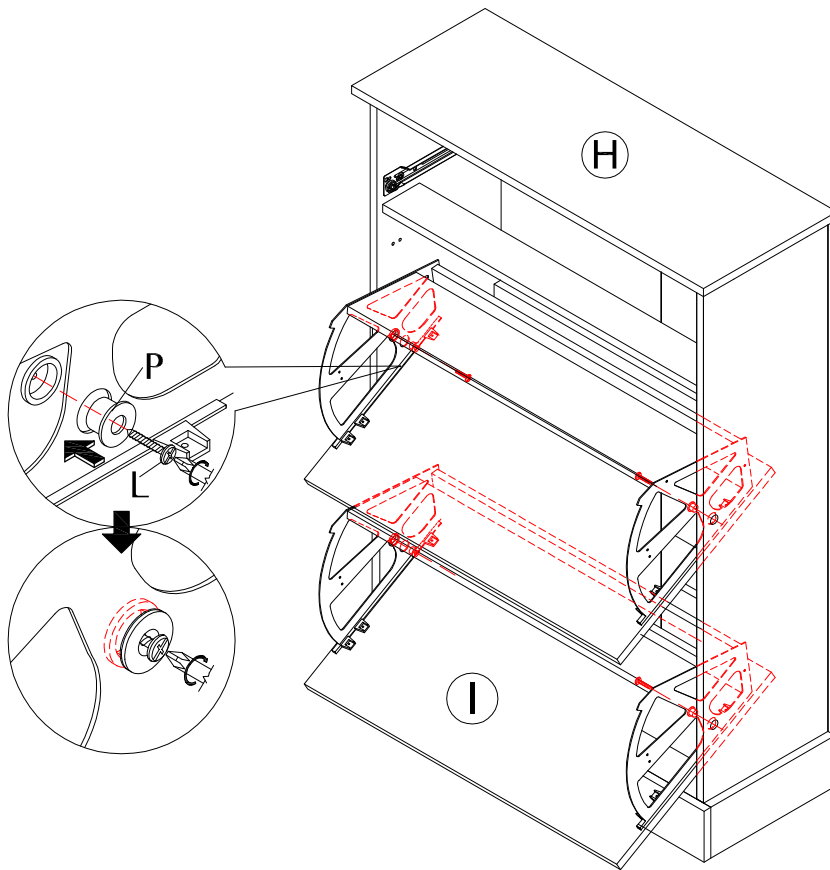
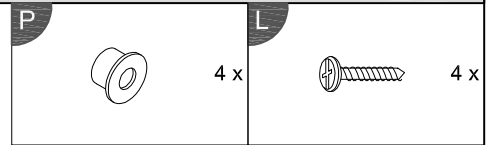
(X2)

STEP 15

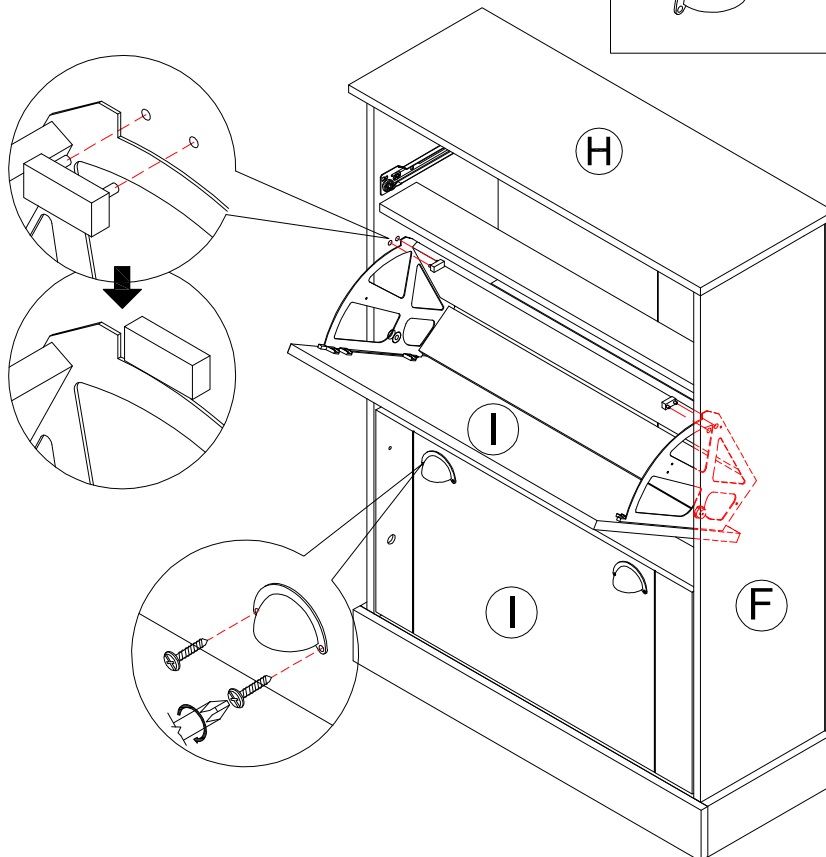
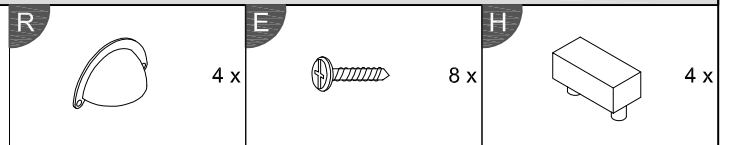


(X2)

STEP 16

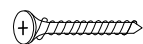


STEP 17

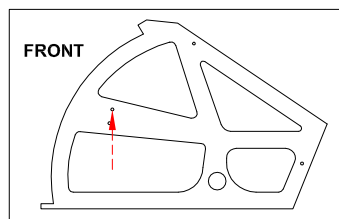
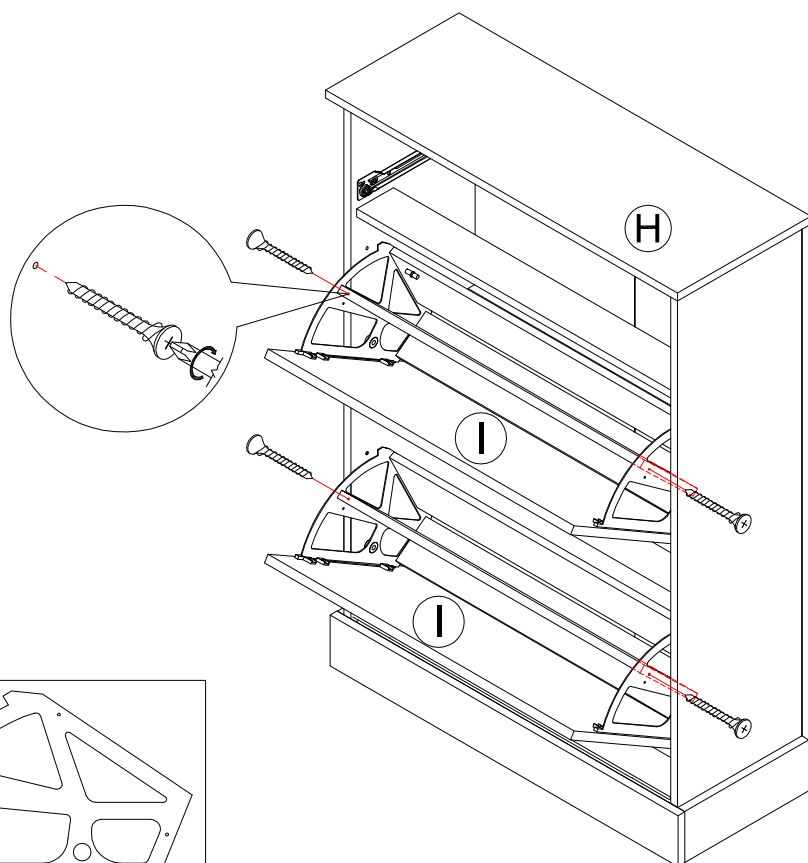


STEP 18

B

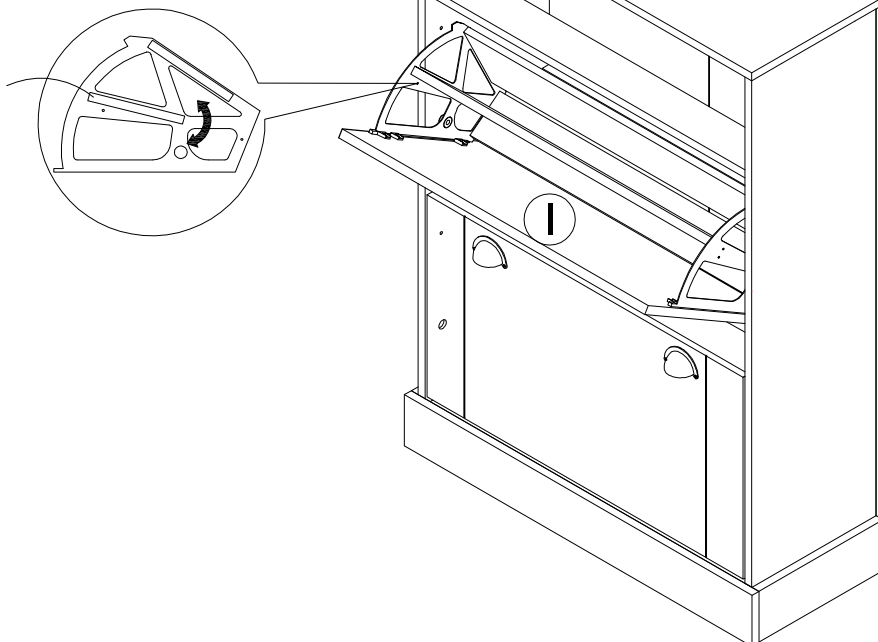


4 x

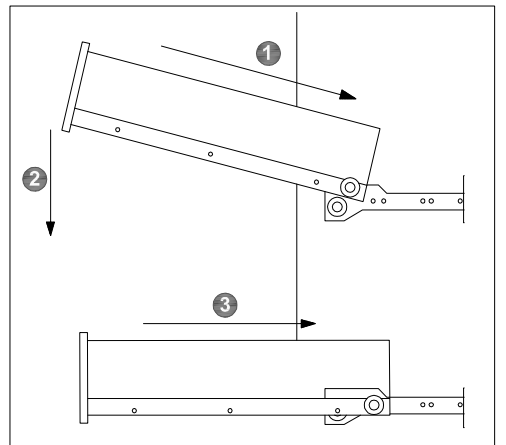
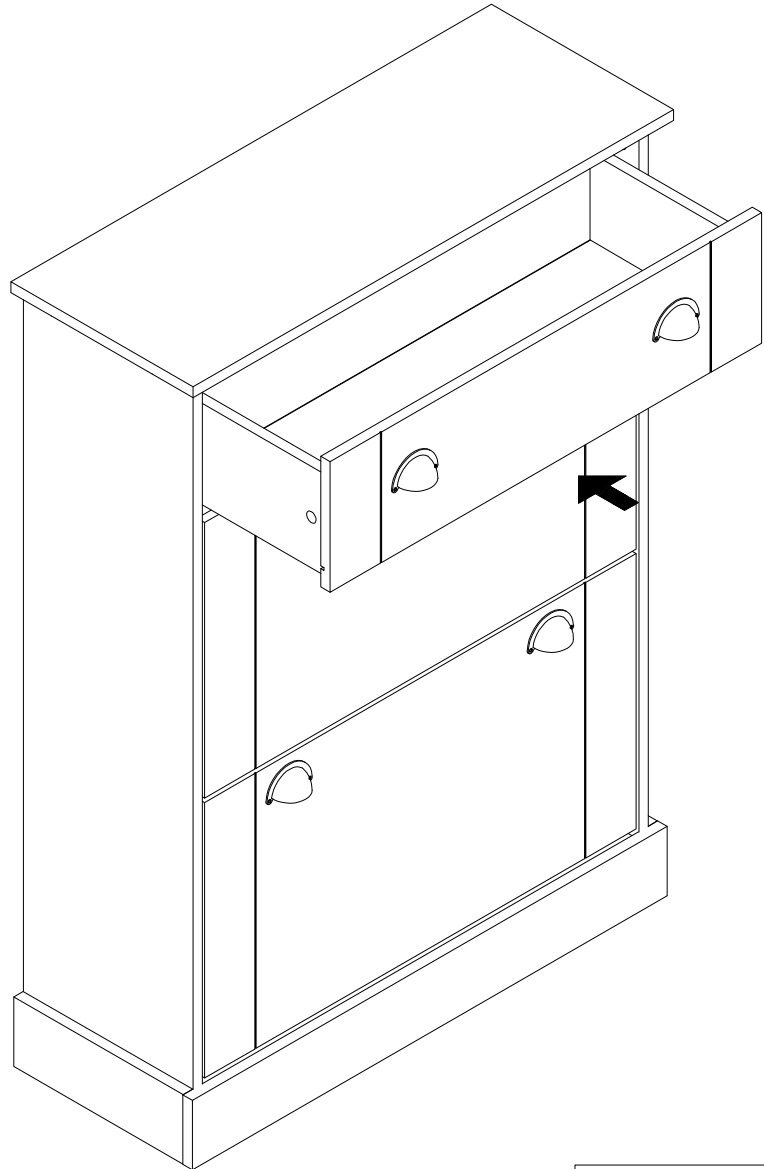


STEP 19

THE SPACE CAN BE ADJUSTED
BY ROTATING PANEL 'K'



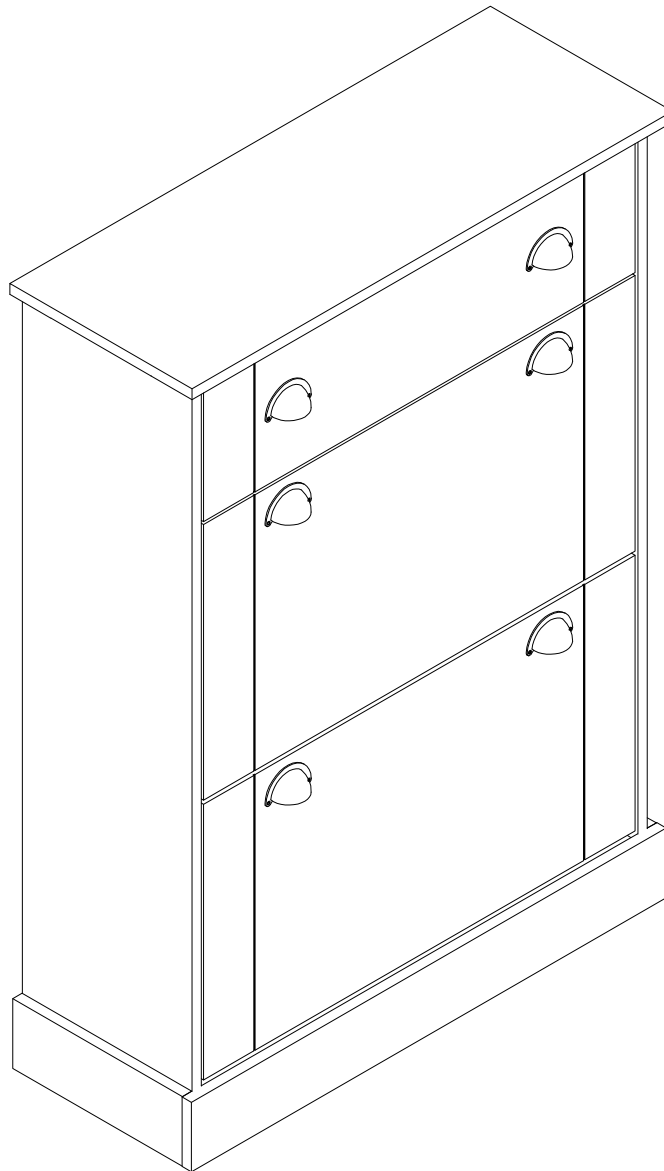
STEP 20



Complete Assembly

Your *KENDAL DELUXE SHOE CABINET* is now completely assembled.

Periodically check to ensure that the components are in their proper position, free from damage. Also, make sure the connectors are tight and secure.



Keep instructions for future reference

