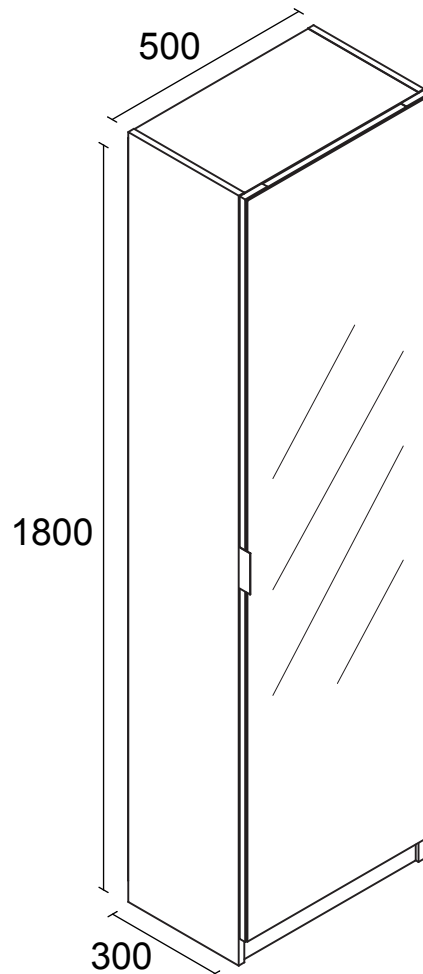


# MIRROR SHOE CABINET (1800MM) ASSEMBLY INSTRUCTIONS

Thank you for purchasing the **MIRROR SHOE CABINET**.  
Please read the instructions carefully to ensure safe operation of the product.



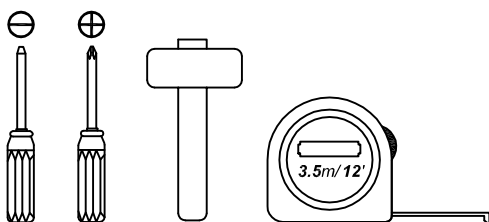
Size : (W)500 x (D)300 x (H)1800 mm  
Colour : Black / White / Oak

**PLEASE READ** this sheet prior to assembly to familiarise yourself with the various stages of construction.

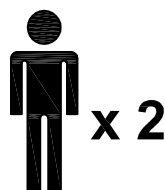
Carefully open the pack supplied and check the contents against the parts and fittings check list. Do not destroy any of the packaging until you are certain that you have all the necessary parts for the assembly.

**CAUTION:** There are small components used in the construction of this unit. These loose items should be kept away from young children whilst assembling your unit to avoid the danger of choking hazards.

## Tools Required



## Person Required



## Approximate Assembly Time



Batch No : PO# 2759

Page 1 of 10

## **IMPORTANT - READ CAREFULLY - RETAIN THESE INSTRUCTIONS FOR FUTURE REFERENCE.**

### **INFORMATION**

- This product is intended for a maximum weight of **25.8kgs.** distributed evenly throughout the cabinet. it is recommended this weight is not exceeded.
- Due to the size of this product we recommend that is assembled in the room intended for use.
- When you ready to start, make sure that you have the right tools, plenty of space and a clean, dry area for assembly
- Unwrap all packaging materials and place the components on top of the carton box or not on a clean floor to prevent it from scratching.
- Check the pack and make sure you have all the parts listed.
- Ensure that this product is fully assembled as illustrated before use.
- Check all screws or bolts are tightened and inspect regularly.
- This product should only be used on firm, level ground.
- Keep small parts out of reach of children.
- Make sure the legs remain in contact with the ground.
- Tools not included.

### **WARNINGS**

- DO NOT use power tools to construct this product.
- DO NOT tighten screw until fully assembled.
- DO NOT over tighten screw or bolts.
- DO NOT use this product if parts are missing, damage or worn.
- DO NOT stand or sit on this mirror shoes cabinet.
- The chest must be fitted using the wall brackets provided to avoid accidents and possible serious injuries if the item falls over or tips over during use
- Always ensure the wall area to be drilled is free of electrical wires, water and gas pipes.
- Wall fixings supplied are suitable for solid walls. For other types of wall suitable fixings must be obtained separately . If in doubt please consult a qualified tradesperson

### **CARE INFORMATION**

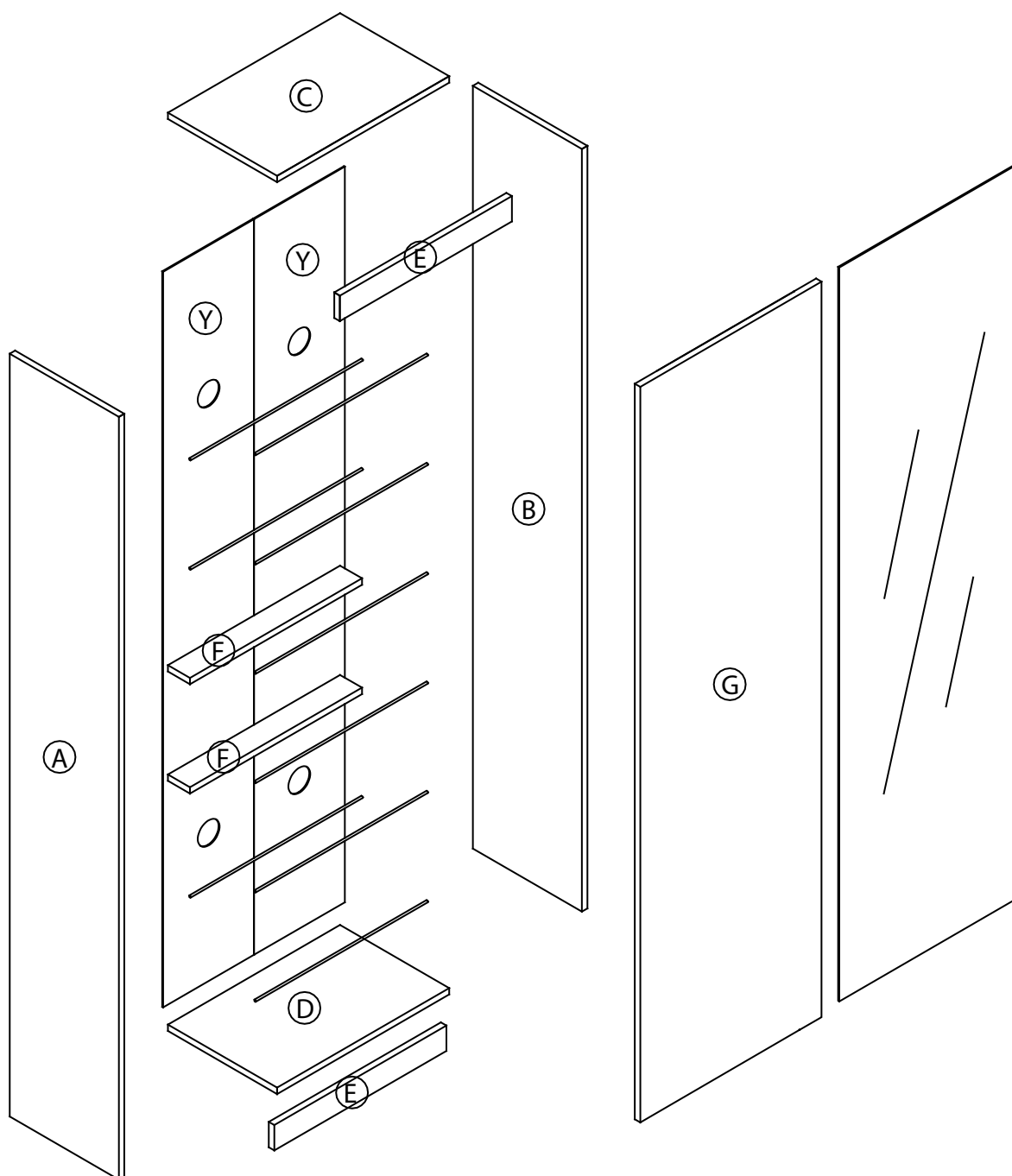
- Never use scourers, abrasives or chemical cleaners.
- To clean wipe with a sponge and soapy water. Do not use solvent based cleaners or detergents as they can bleach or damage the product.

Please check the pack contents before assembling the product. If any components are missing, please contact your retailer. The fittings pack contains small items that should be kept away from small children.

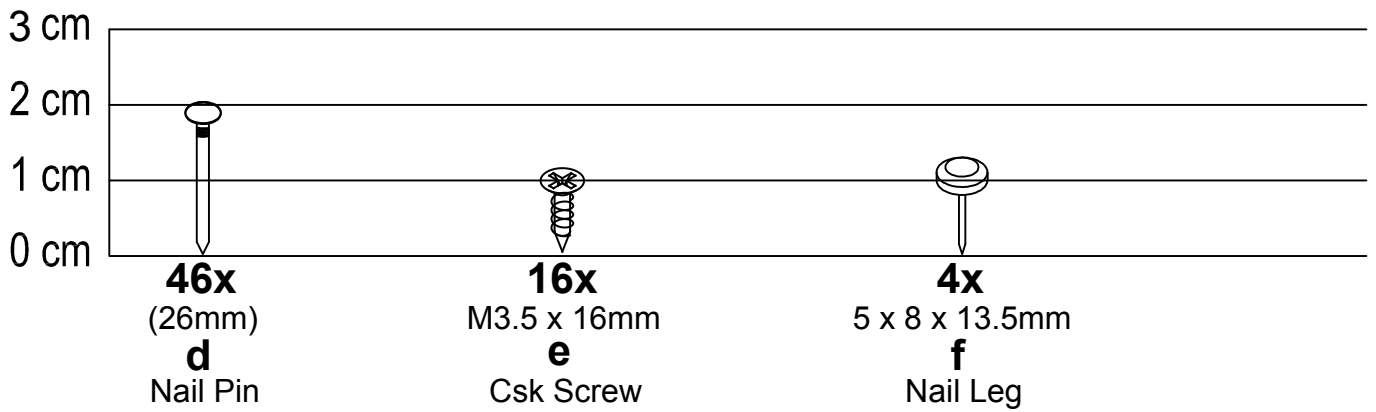
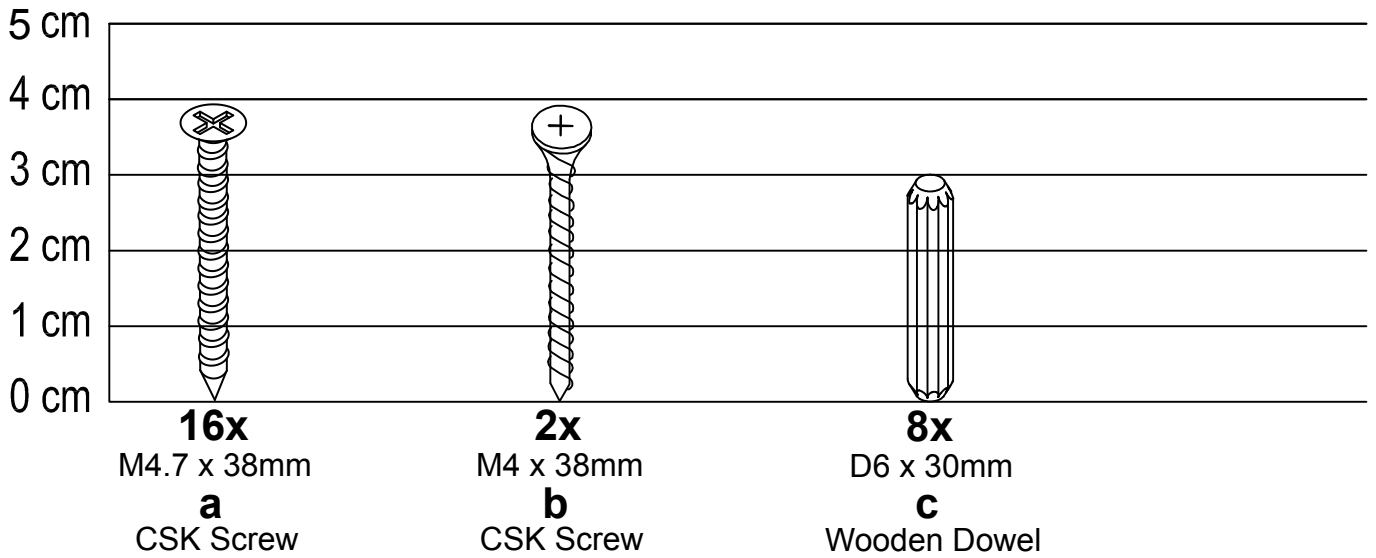
## Parts

CODE	PART NAME	QTY
A	Side Panel (L) (15 x 298 x 1800mm)	1
B	Side Panel (R) (15 x 298 x 1800mm)	1
C	Top Panel (15 x 298 x 470mm)	1
D	Bottom Panel (15 x 298 x 470mm)	1

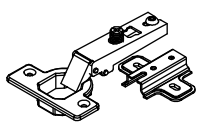
CODE	PART NAME	QTY
E	Front Bar Panel (15 x 60 x 470mm)	2
F	Rear Bar Panel (15 x 60 x 470mm)	2
G	Door (15 x 495 x 1736mm)	1
Y	Back Panel (2.5 x 248 x 1736mm)	1



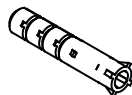
## Fixings (to scale)



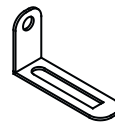
## Fixings (not to scale)



**3x**  
5/8"  
**g**  
Hinges Outside



**2x**  
**h**  
Wall Plug



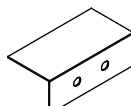
**2x**  
**i**  
L-Mounting  
Bracket



**16x**  
**j**  
Sticker  
19mm



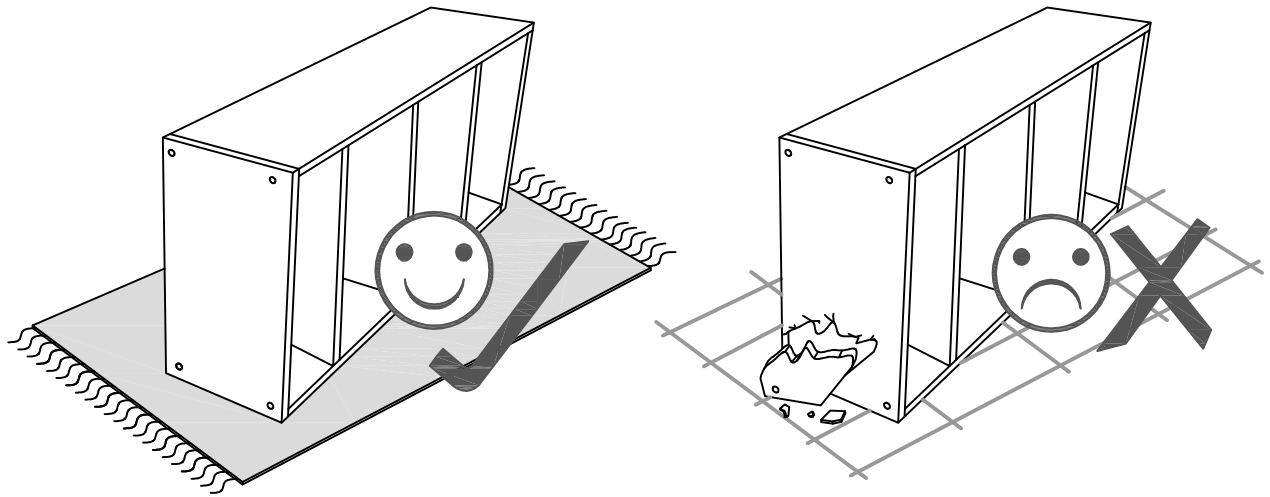
**9x**  
M5 X 490mm  
**k**  
Metal Rod



**1x**  
32mm Hole  
**l**  
Aluminium Handle



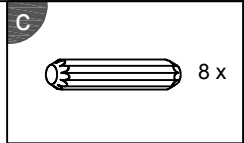
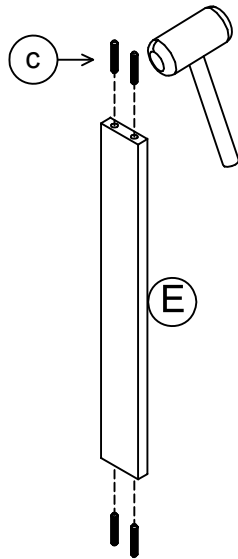
**2x**  
10mm  
**m**  
Door Buffer



**Layout Parts on Soft Surface**

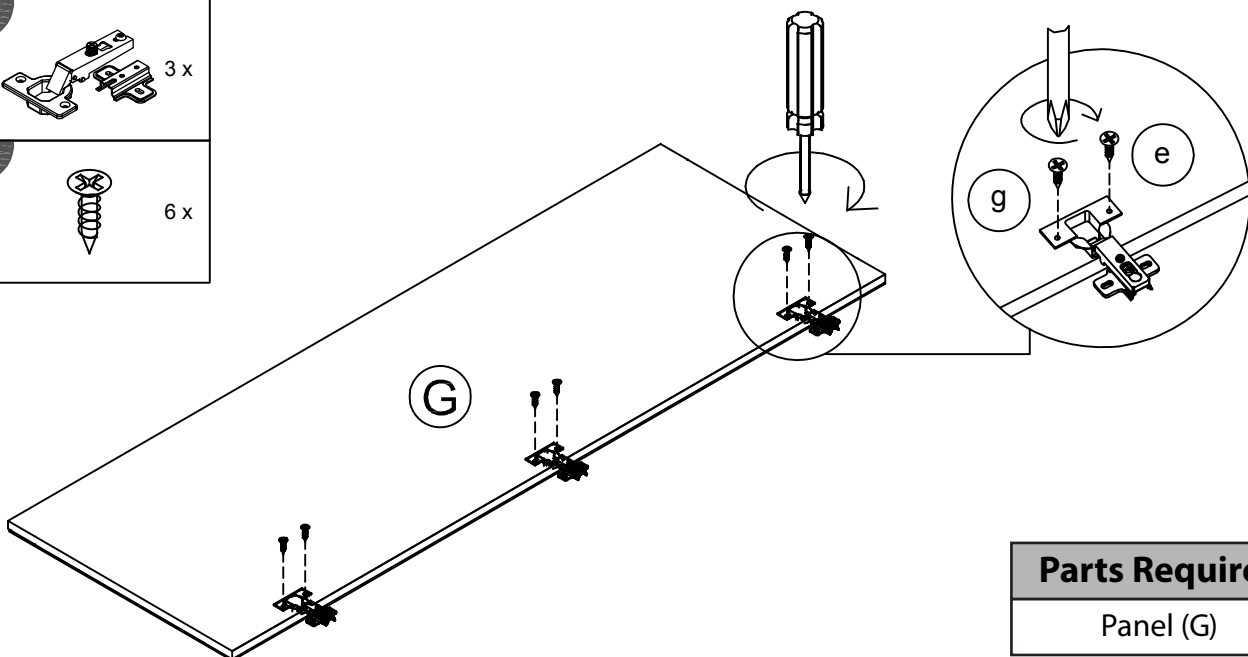
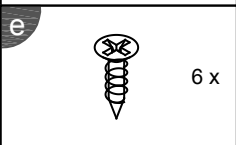
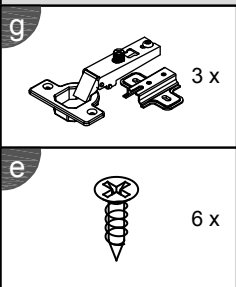
**STEP 1**

**POSITION  
WOOD DOWEL  
START  
ASSEMBLING  
WITH FIXING  
WOOD DOWELS  
TO PANEL E.**



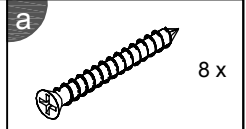
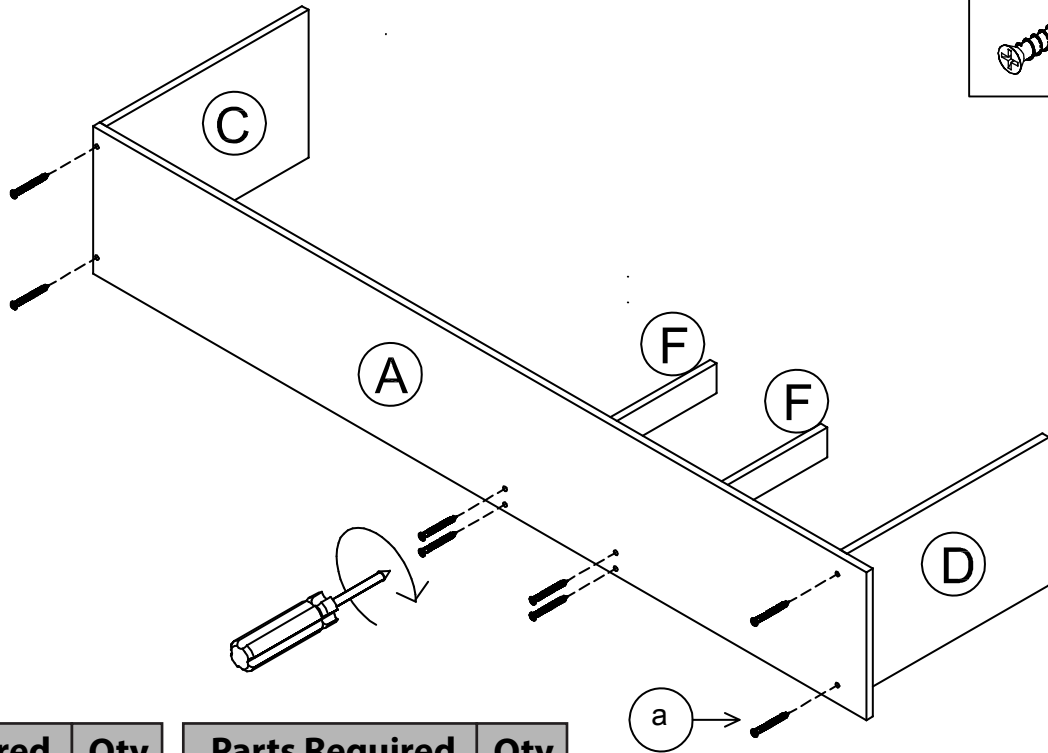
Parts Required	Qty
Panel (E)	2

**STEP 2**



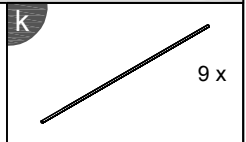
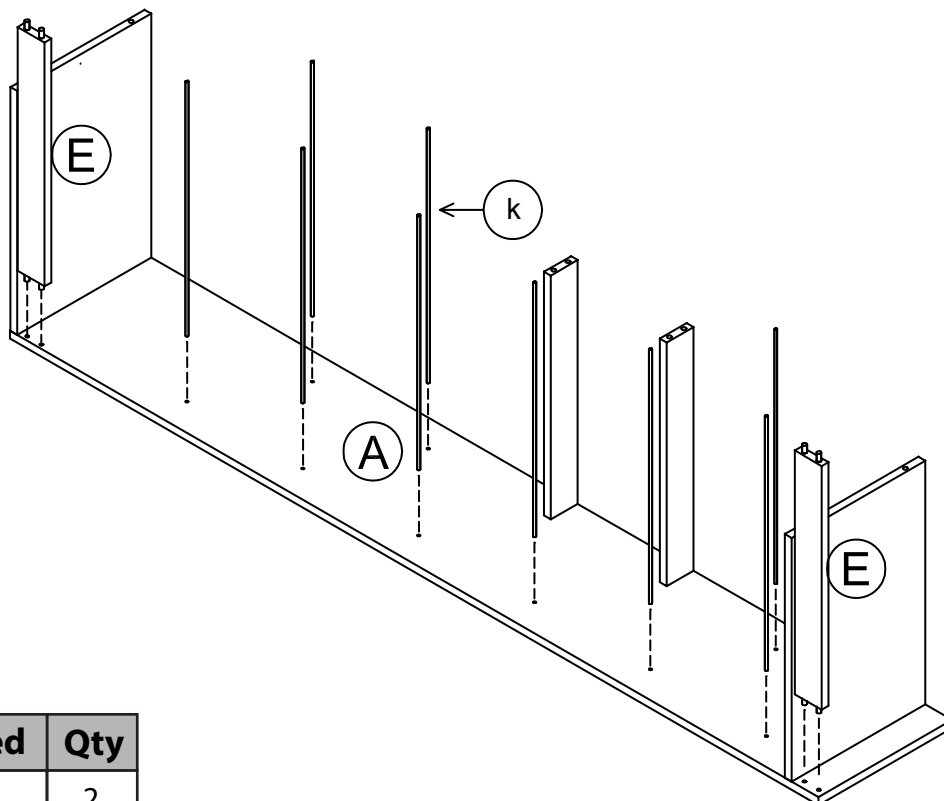
Parts Required	Qty
Panel (G)	1

## STEP 2



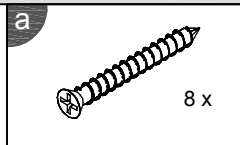
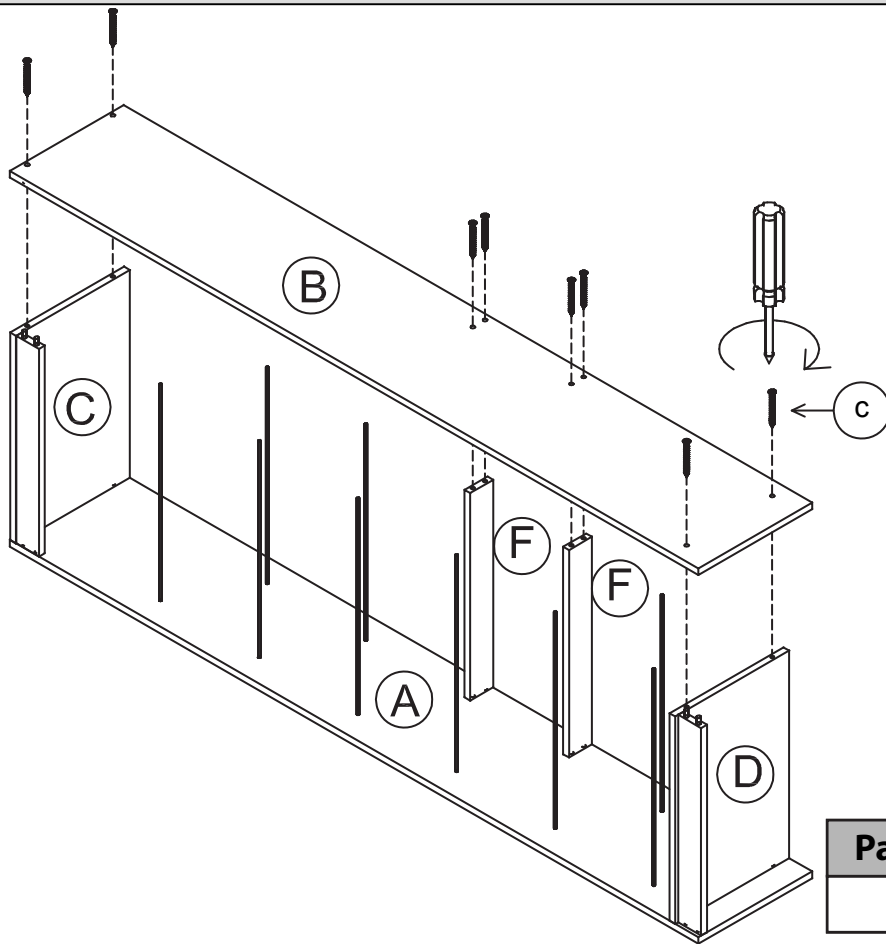
Parts Required	Qty	Parts Required	Qty
Panel (A)	1	Panel (D)	1
Panel (C)	1	Panel (F)	2

## STEP 3



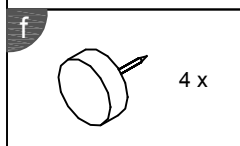
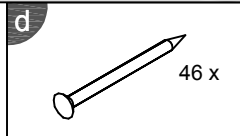
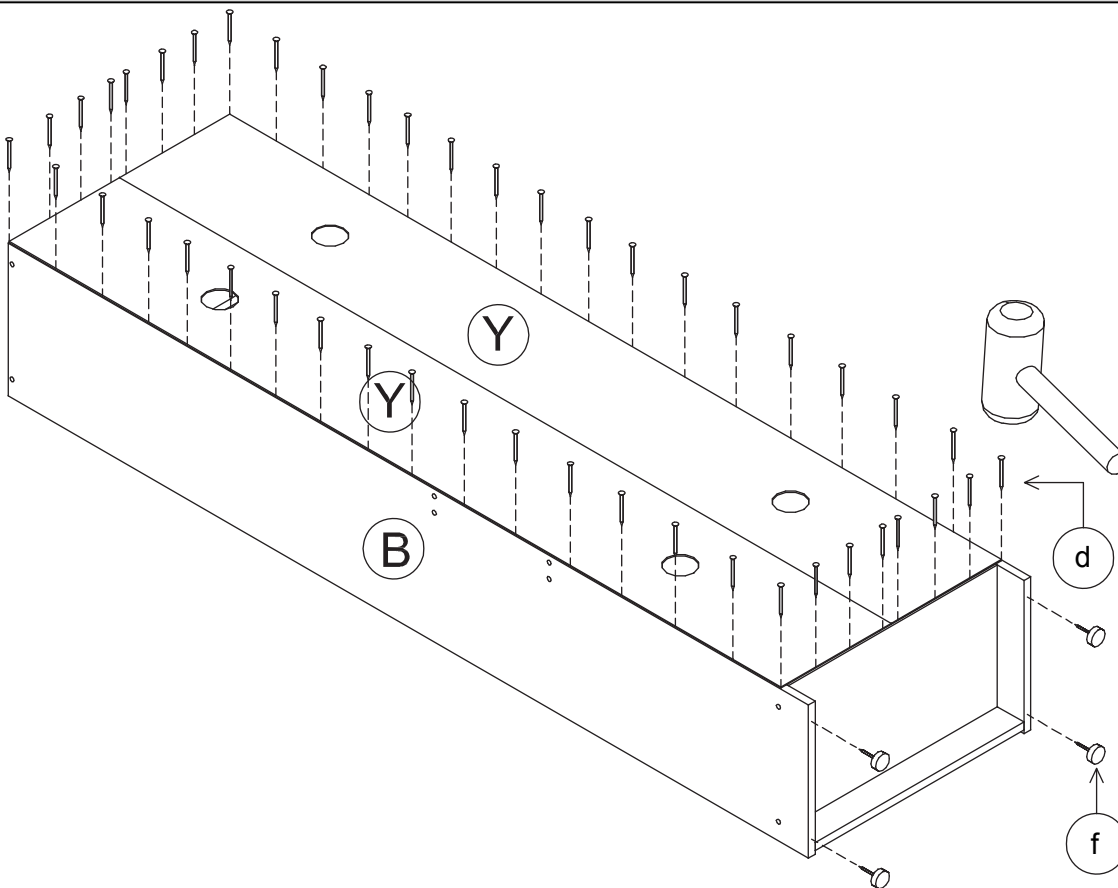
Parts Required	Qty
Panel (E)	2

# STEP 5

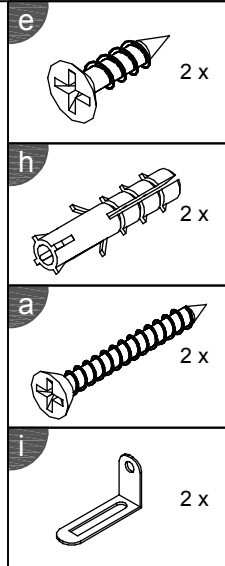
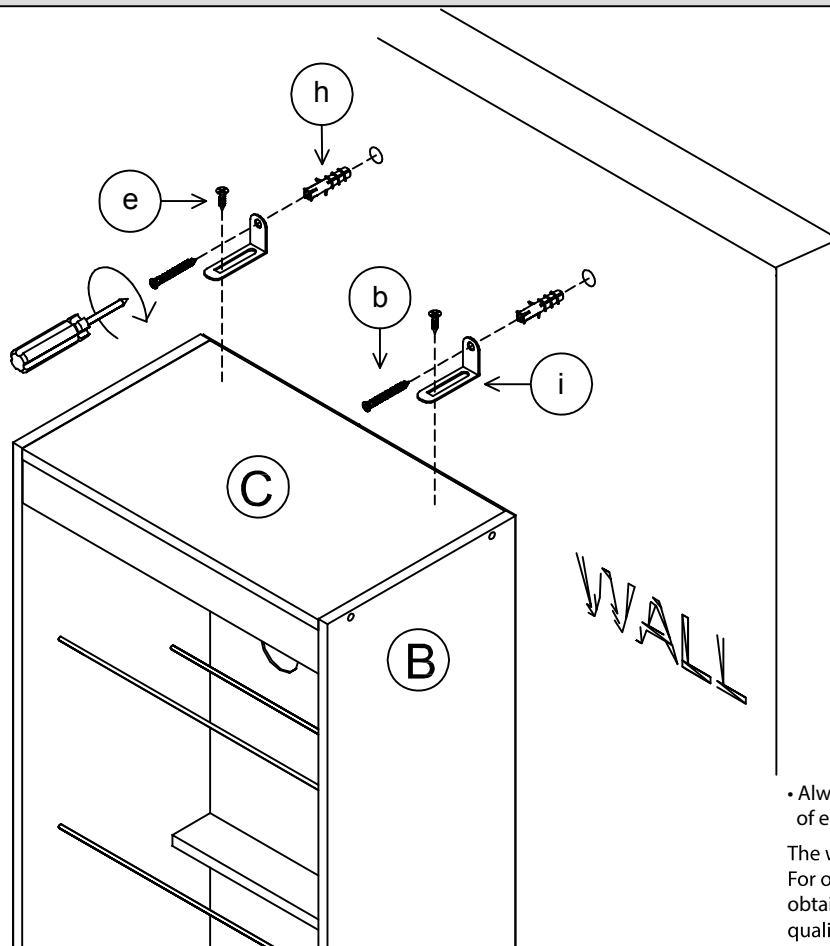


Parts Required	Qt
Panel (B)	1

# STEP 6



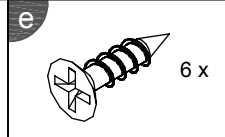
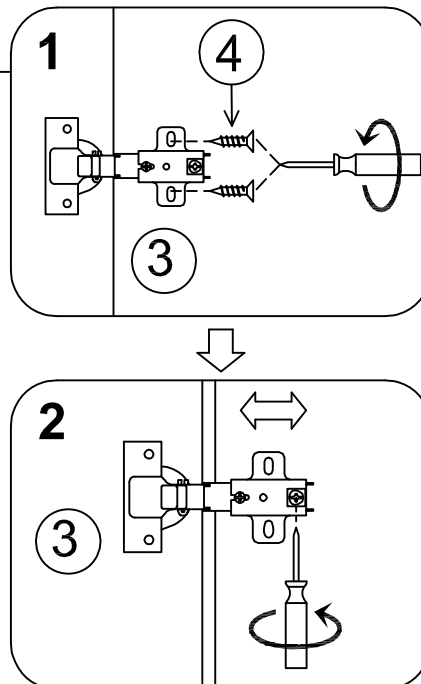
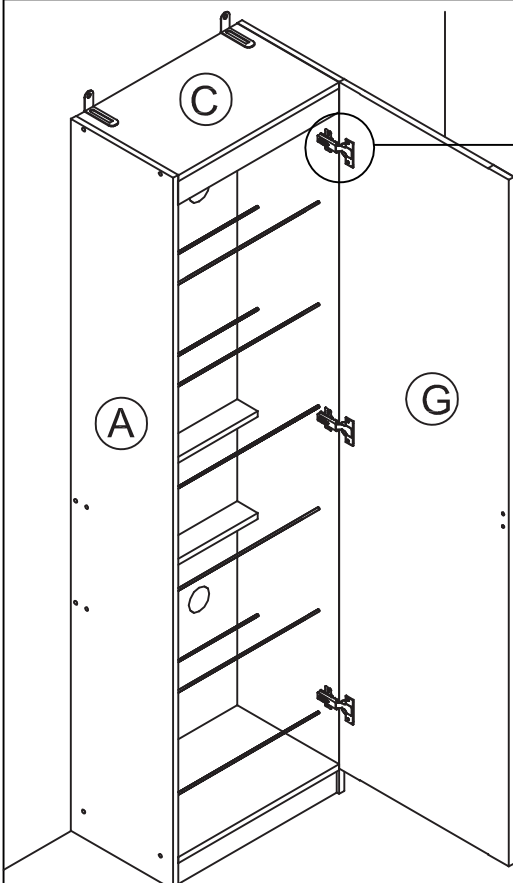
## STEP 7



**IMPORTANT THE CABINET MUST BE FIXED TO THE WALL BEFORE FITTING THE DOOR**

- Always ensure the wall area to be drilled is free of electrical wires, water and gas pipes.
- The wall all fixings supplied are suitable for solid walls. For other types of wall suitable fixings must be obtained separately. If in doubt please consult a qualified tradesperson

## STEP 8

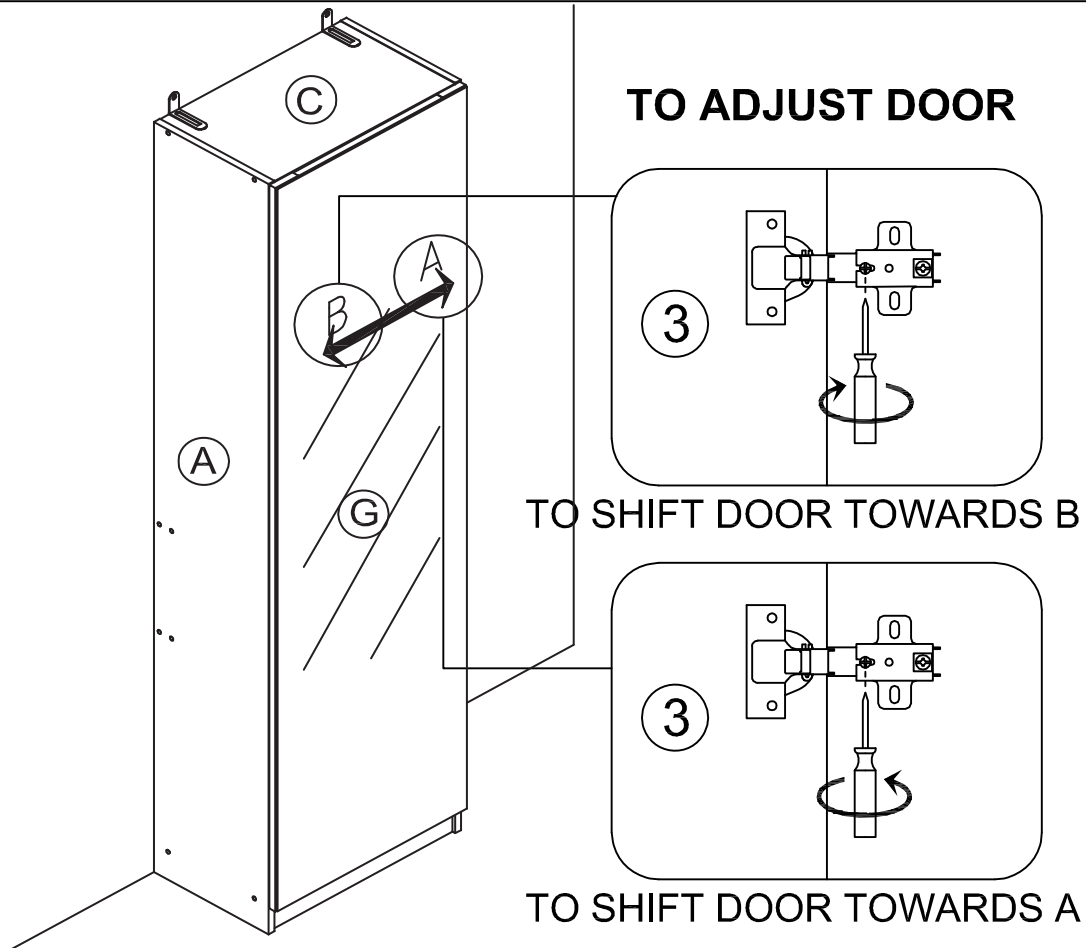


If the doors are not aligned correctly adjust the door hinges by tightening or loosening the screws indicated

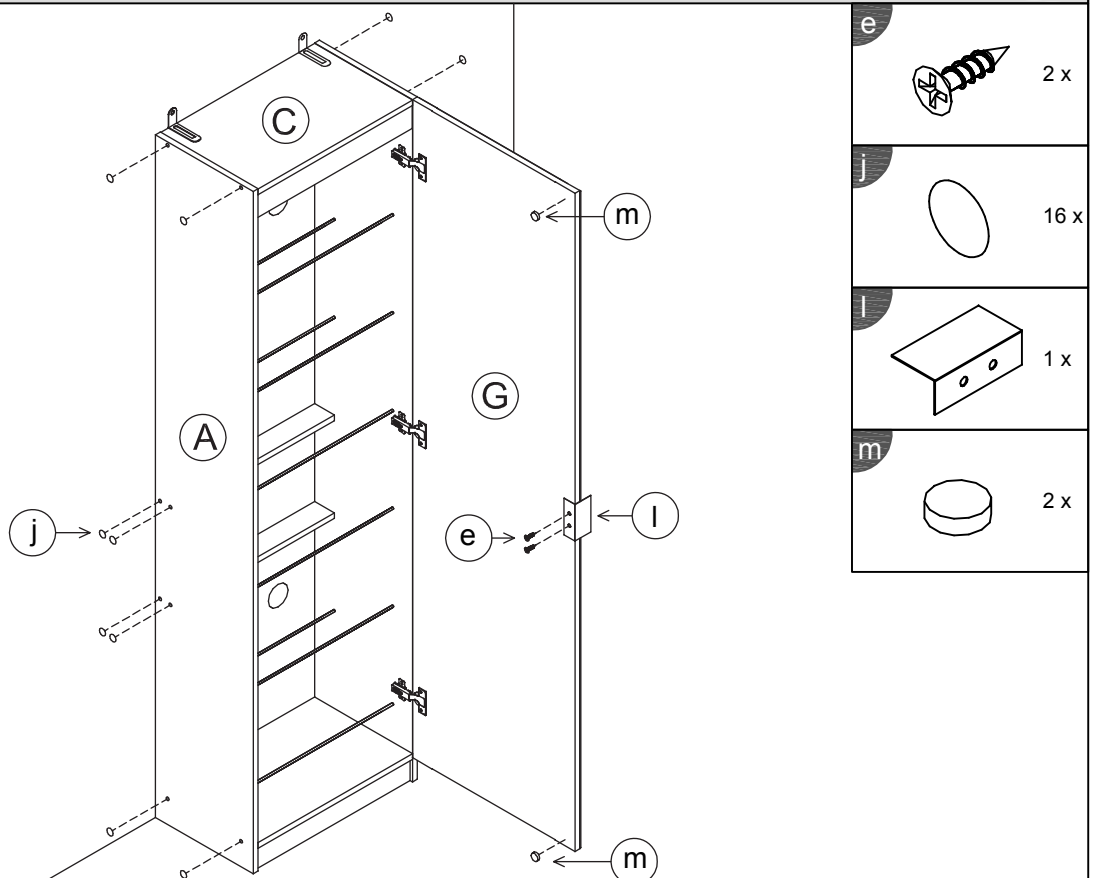
Parts Required	Qt
Panel (G)	1



## STEP 9



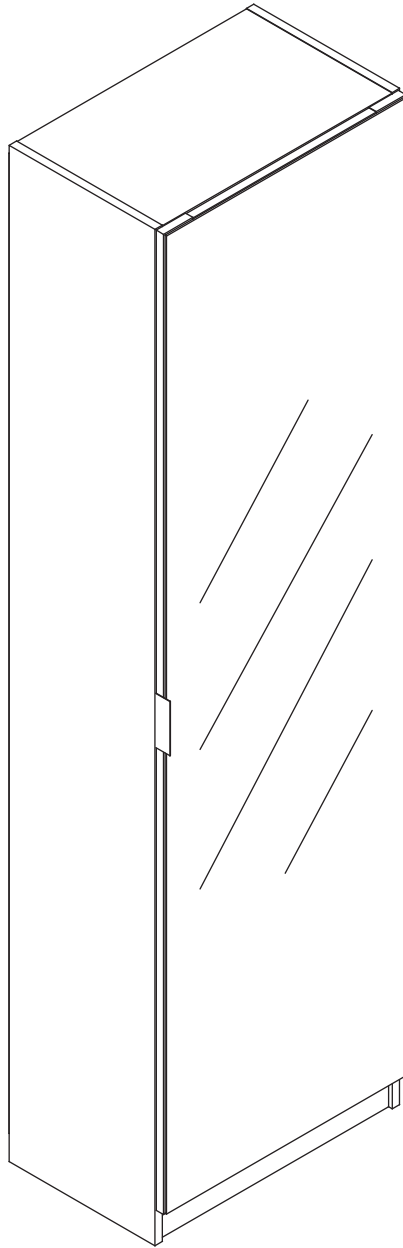
## STEP 10



## Complete Assembly

Your **MIRROR SHOES CABINET** is now completely assembled

Periodically check to ensure that the components are in their proper position, free from damage. Also, make sure the connectors are tight and secure.



Keep instructions for future reference

