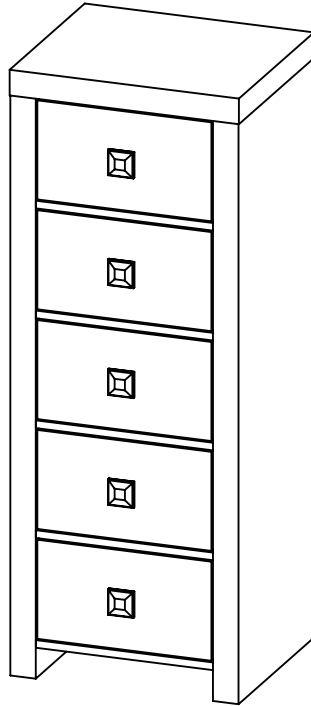


JAKARTA 5 DRAWER SLIM CHEST ASSEMBLY INSTRUCTIONS

Thank you for purchasing the Jakarta 5 Drawer Slim Chest of Drawers.
Please read the instructions carefully to ensure safe operation of this product.



Size: 45 x 39 x 118 cm (WDH)

Colour: Mango

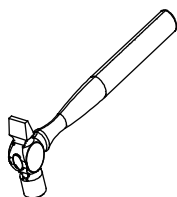
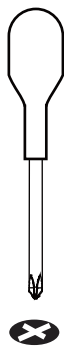
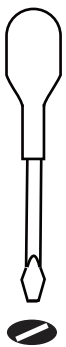
Finish: Melamine Veneer

PLEASE READ this sheet prior to assembly to familiarise yourself with the various stages of construction.

Carefully open the pack supplied and check the contents against the parts and fittings check list. Do not destroy any of the packaging until you are certain that you have all the necessary parts for the assembly.

CAUTION: There are small components used in the construction of this unit. These loose items should be kept away from young children whilst assembling your unit to avoid the danger of choking.

Tools Required



Number of people



1 Hour
Set Up

IMPORTANT - READ CAREFULLY - RETAIN THESE INSTRUCTIONS FOR FUTURE REFERENCE.

INFORMATION

- This product is designed to hold 30Kg in total, spread evenly over the whole unit.
- Do not exceed this weight.
- We recommend that this unit is assembled in the room intended for use.
- When you are ready to start, make sure that you have the right tools, plenty of space and a clean, dry area for assembly.
- Unwrap all packaging materials and place the components on top of the carton box or on a clean floor to prevent them from scratching.
- Check the pack and make sure you have all the parts listed.
- Ensure that this product is fully assembled as illustrated before use.
- Check all screws or bolts are tightened and inspect regularly
- Tools are not included unless specified in parts list.

WARNINGS

- This product should only be used on a firm and level floor.
- Keep small parts out of the reach of children.
- Make sure the base remains in contact with the floor.
- For safety, you must use the anti-tilt strap supplied (S).
- DO NOT use power tools to construct this product.
- DO NOT tighten screws until parts are assembled or as advised in this guide. over
- DO NOT tighten screws or bolts.
- DO NOT use this product if parts are missing, damaged or worn.
- DO NOT climb, sit or stand on the product.

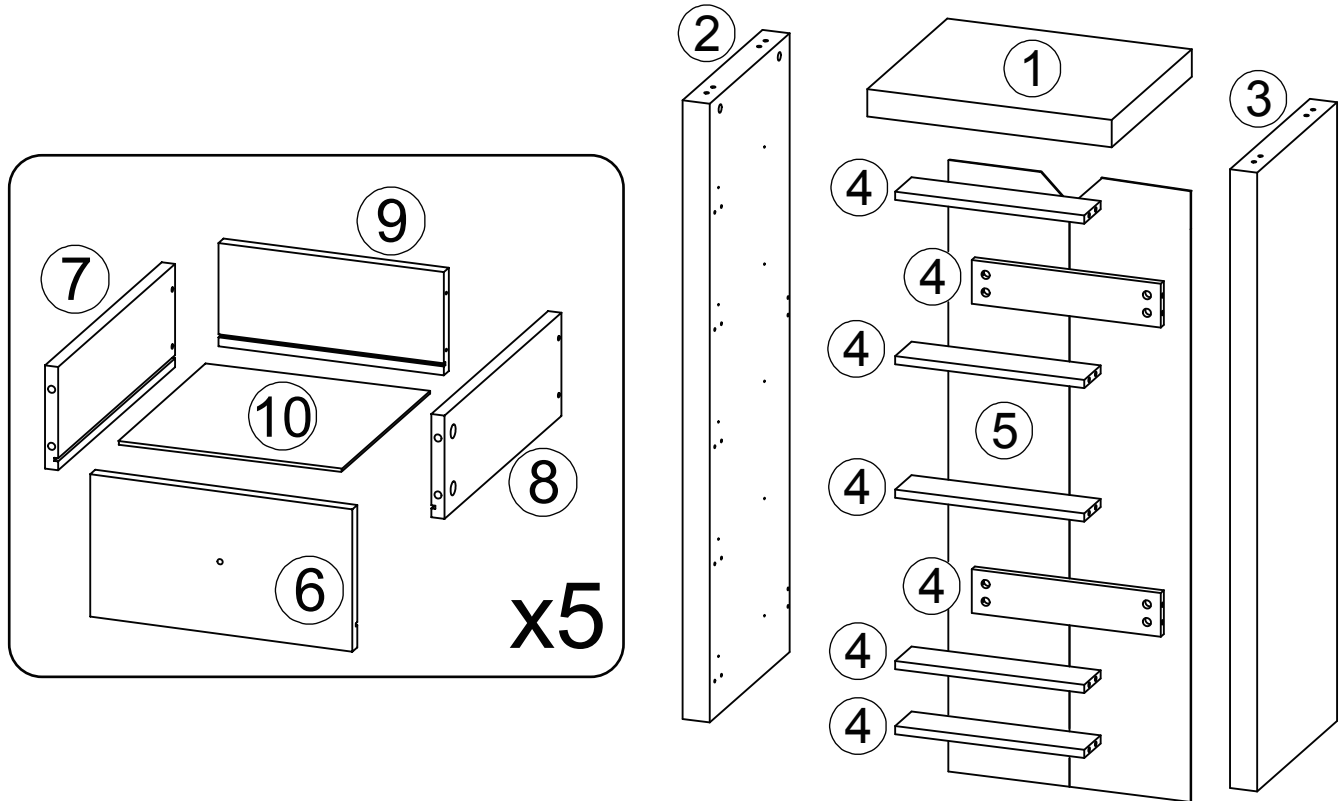
CARE INFORMATION

- Never use scourers, abrasives or chemical cleaners.
- To clean, wipe with a damp sponge and warm soapy water.
- Do not use solvent based cleaners or detergents as they can bleach or damage the product.

Parts and Fittings Checklist

Please check the pack contents before assembling the product. If any components are missing, please contact your retailer.

The fittings pack contains small items that should be kept away from children.

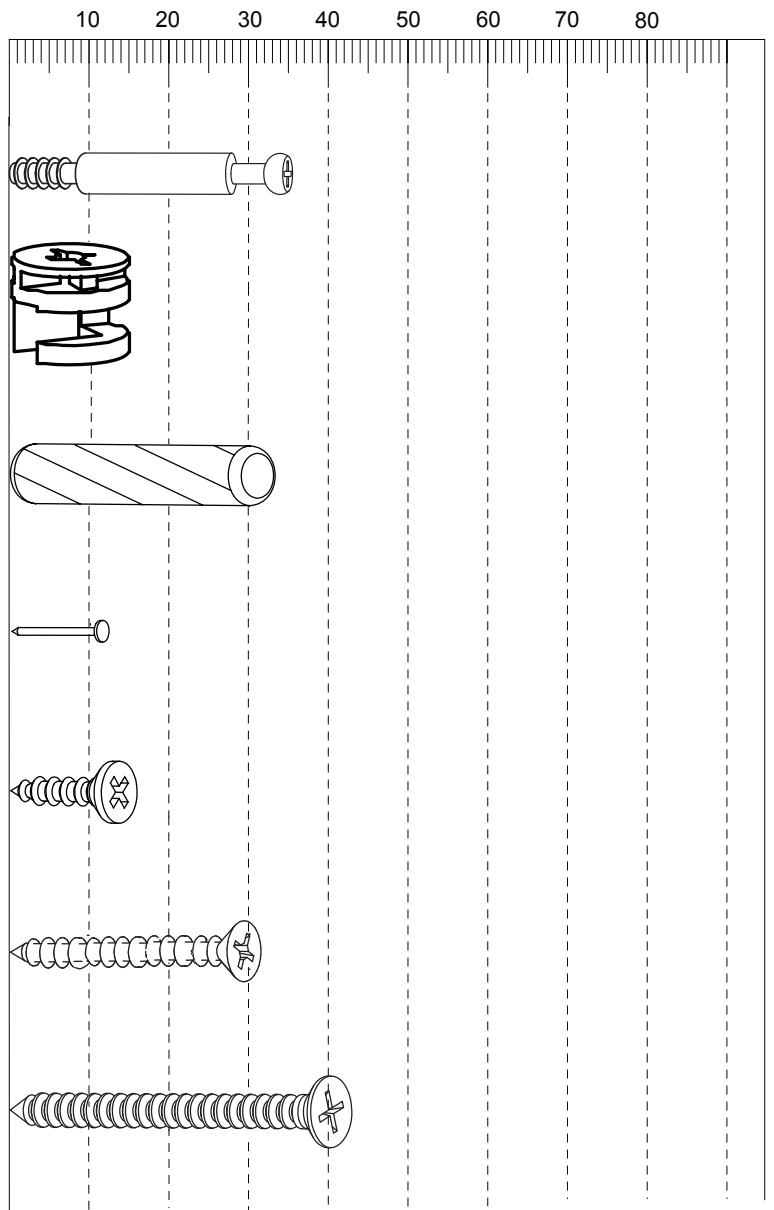


All parts are packed in one carton

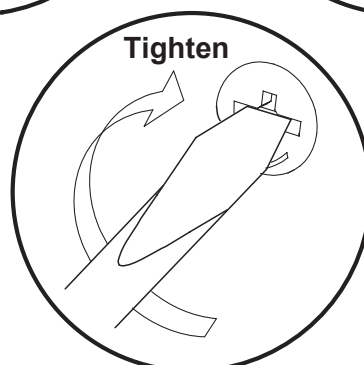
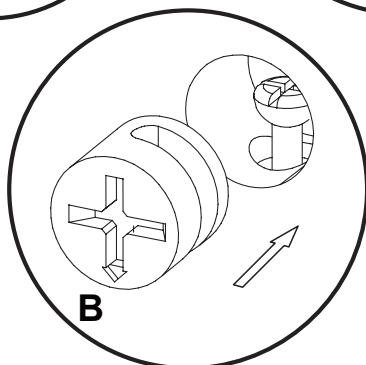
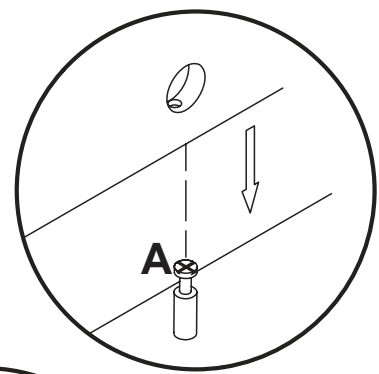
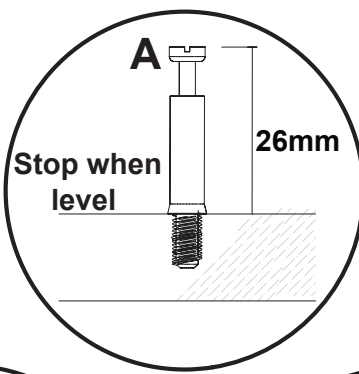
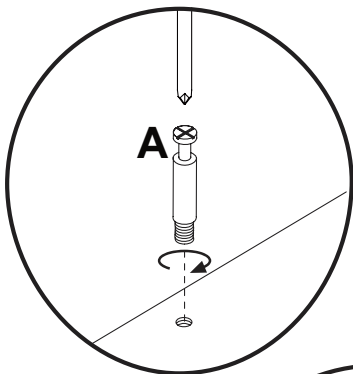
1	2	3
Description: Top Panel Qty: 1 Size: 450 x 390 x 50 mm Carton No: 1/1	Description: LH Side Panels Qty: 1 Size: 1130 x 389 x 50 mm Carton No: 1/1	Description: RH Side Panels Qty: 1 Size: 1130 x 389 x 50 mm Carton No: 1/1
4	5	6
Description: Cross Rails Qty: 7 Size: 348 x 80 x 15 mm Carton No: 1/1	Description: Back Panels Qty: 1 Size: 1116 x 446 x 3 mm Carton No: 1/1	Description: Drawer Front Qty: 5 Size: 342 x 193 x 15 mm Carton No: 1/1
7	8	9
Description: LH Drawer Side Qty: 5 Size: 350 x 116 x 15 mm Carton No: 1/1	Description: RH Drawer Side Qty: 5 Size: 350 x 116 x 15 mm Carton No: 1/1	Description: Drawer Back Qty: 5 Size: 294 x 116 x 15 mm Carton No: 1/1
10		
Description: Drawer Base Qty: 5 Size: 302 x 342.5 x 3 mm Carton No: 1/1		

Fittings (to scale)

Code	Item	Quantity
A	Cam Bolt (35mm overall)	52
B	Cam Lock	52
C	Dowel (8x30mm)	4
D	Nail for Fitting Back Panel (2x12mm)	20
E	Screw for Fitting Runner Anti-tilt Strap and Back Panel (3x12mm)	47
F	Screw for Fitting Handle (4x30mm)	5
G	Screw for Drawer Parts (3.5x40mm)	20

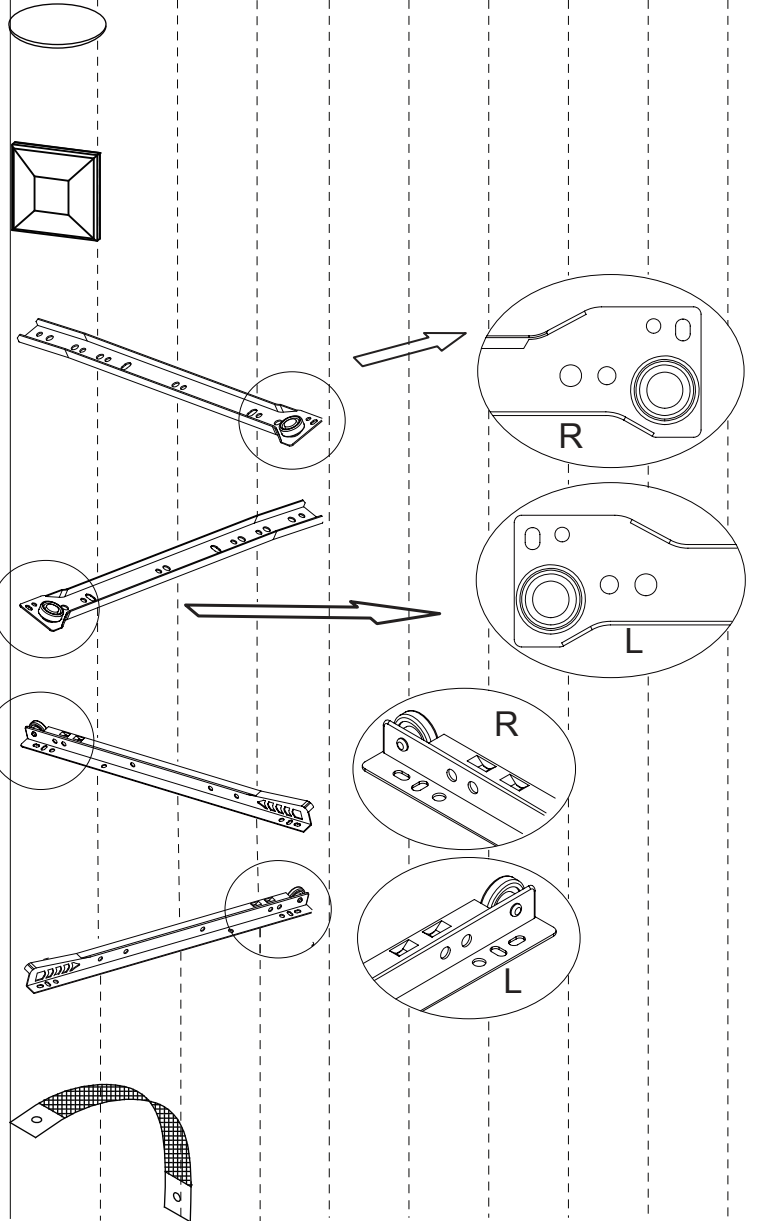


General Hints & Tips

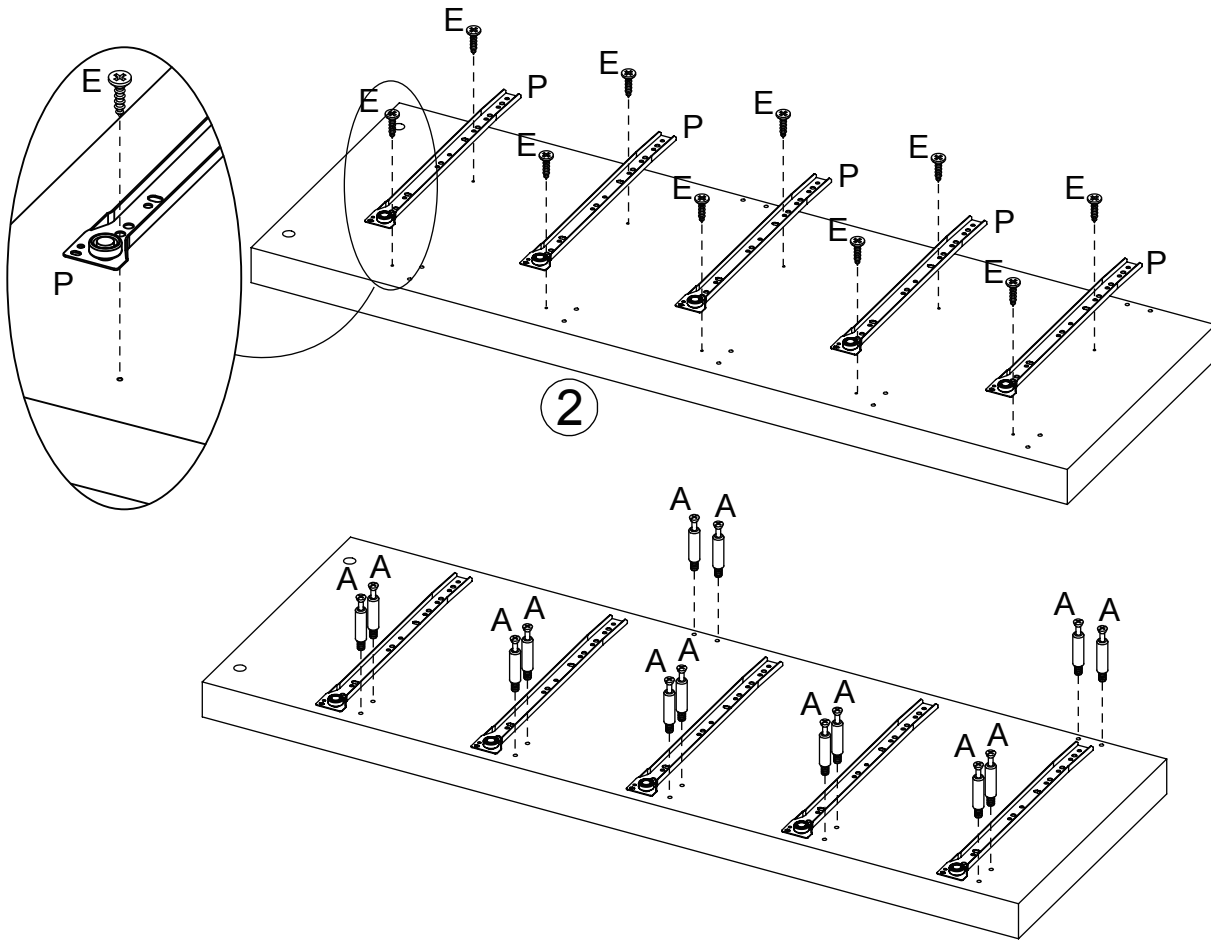


Fittings (not to scale)

Code	Item	Quantity
K	Cam Lock Cover	20
L	Handle	5
N	Outer Drawer Runner - Right	5
P	Outer Drawer Runner - Left	5
Q	Inner Drawer Runner - Right	5
R	Inner Drawer Runner - Left	5
S	Anti-tilt Strap	1

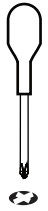


STEP 1

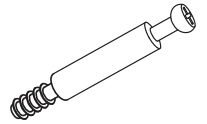


For this step:

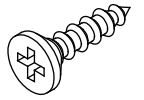
Tools required



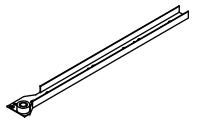
Fittings required



A x14

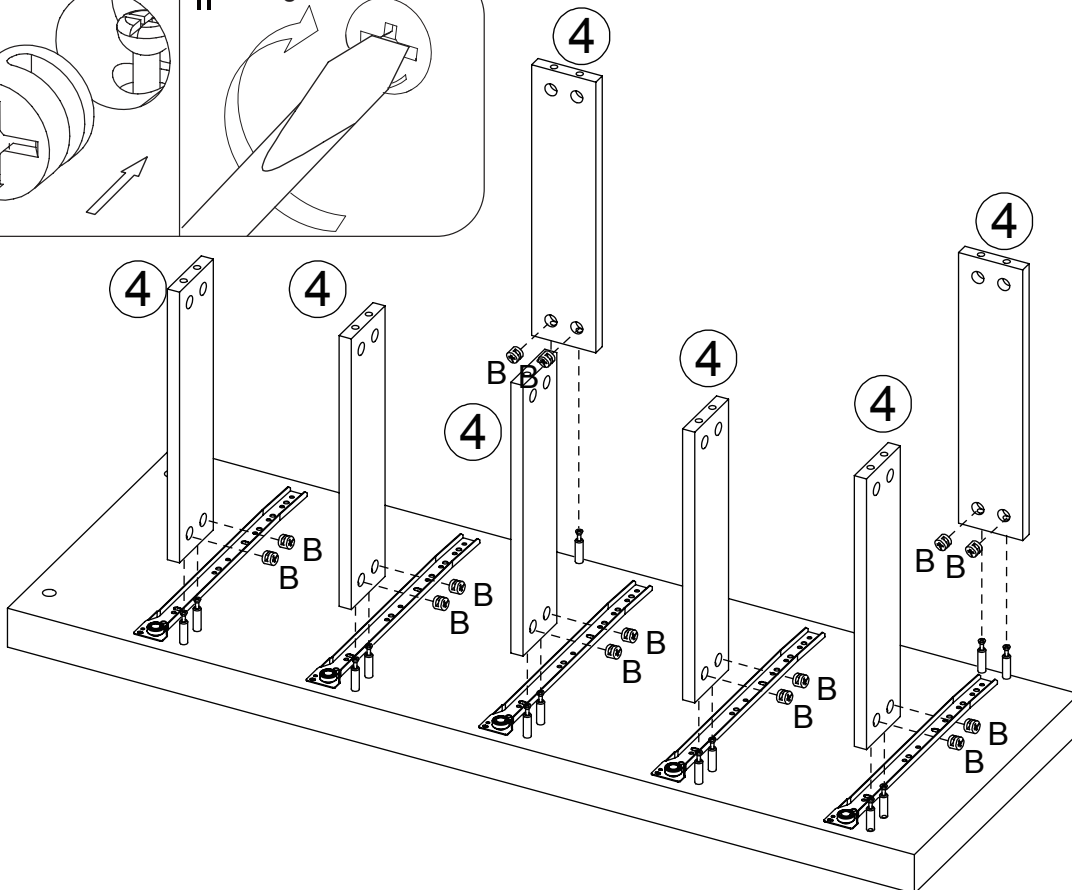
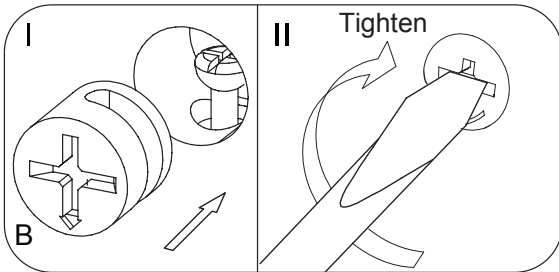


E x10



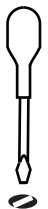
P x5

STEP 2



For this step:

Tools required

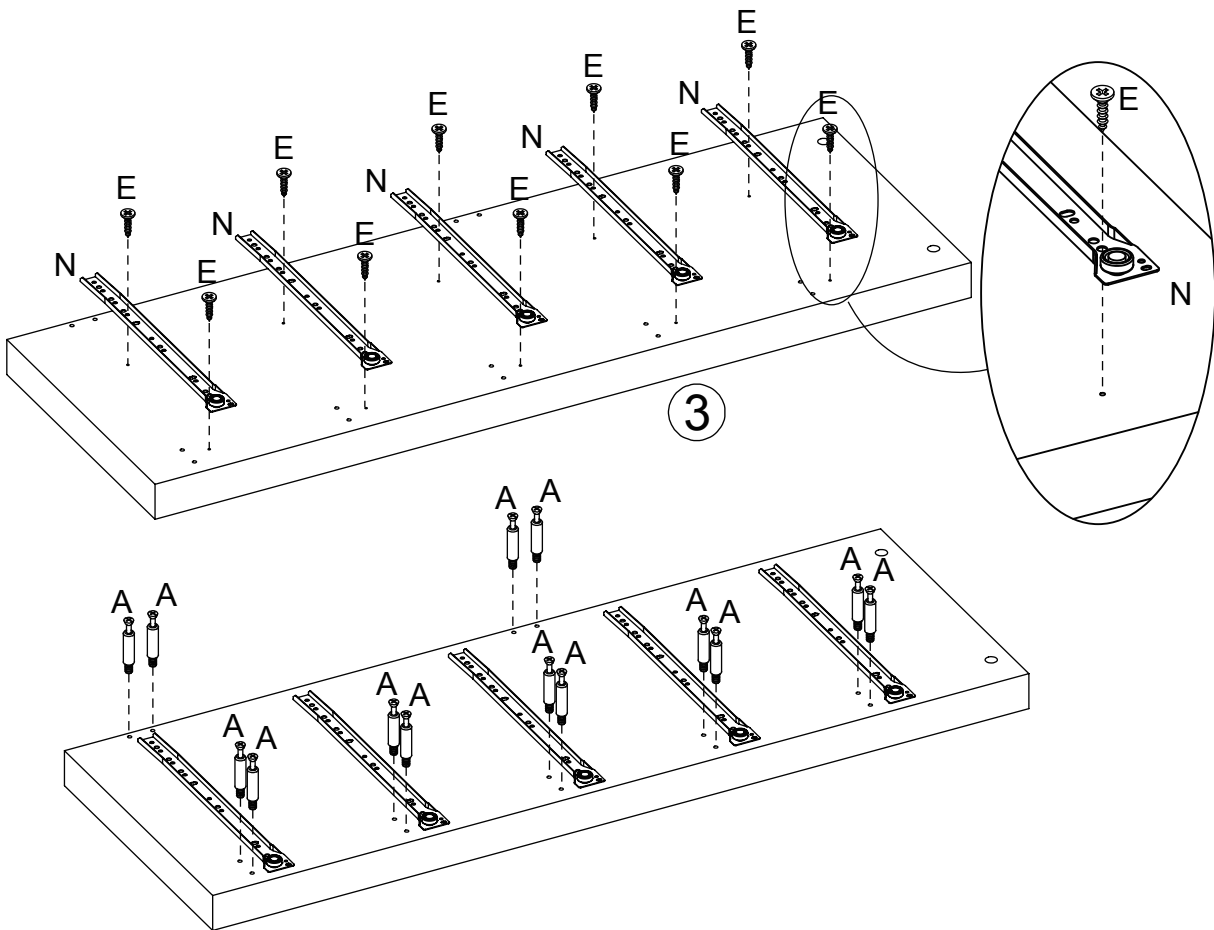


Fittings required



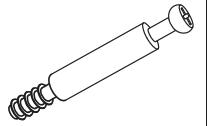
B x14

STEP 3

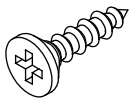


For this step:
Tools required

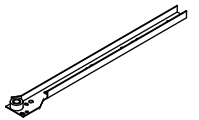
Fittings required



A x14

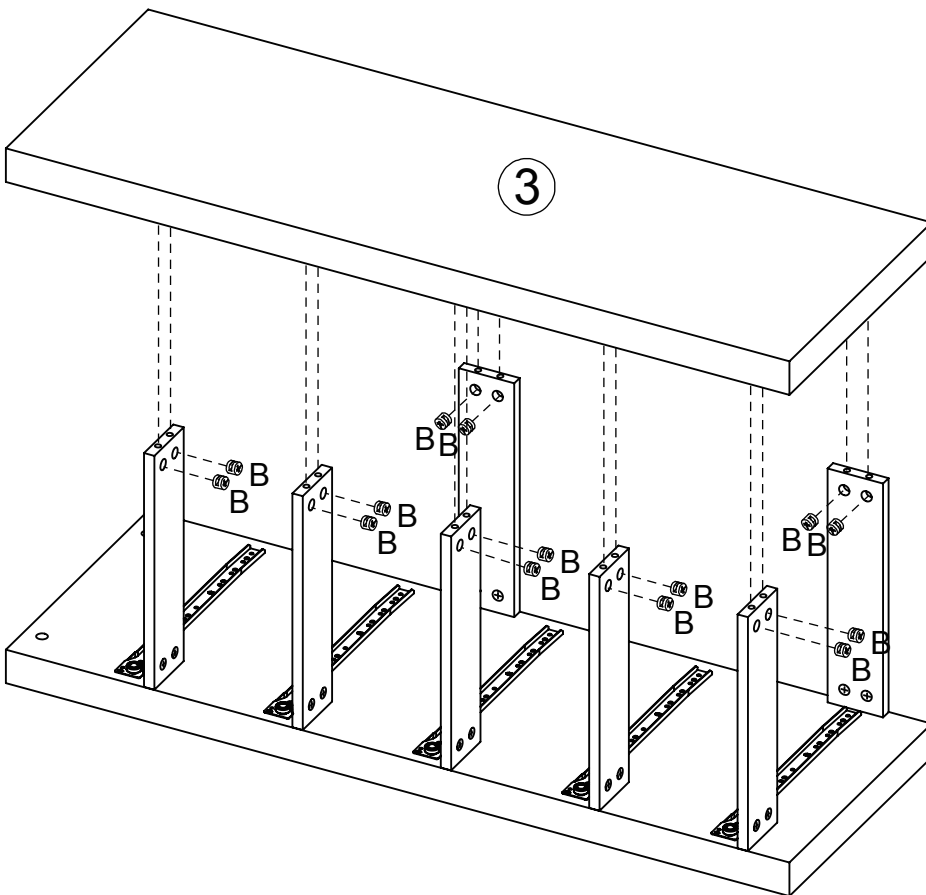


E x10



N x5

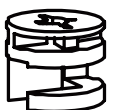
STEP 4



For this step:
Tools required

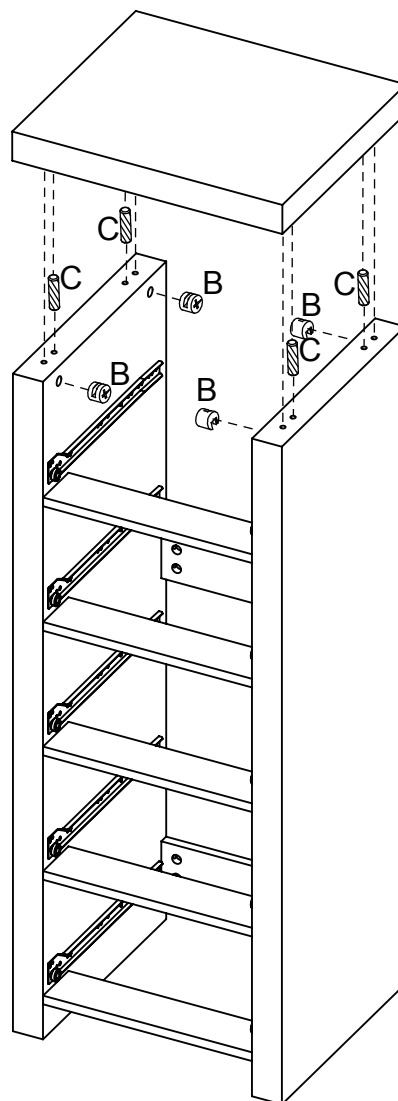
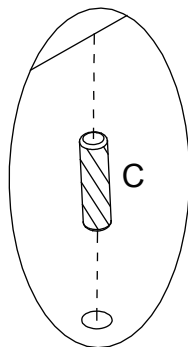
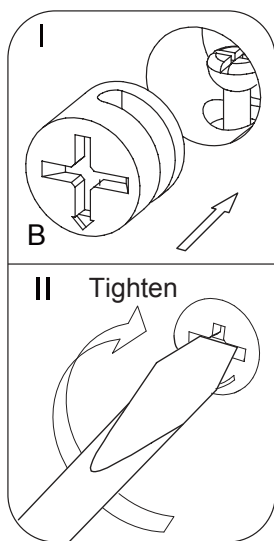
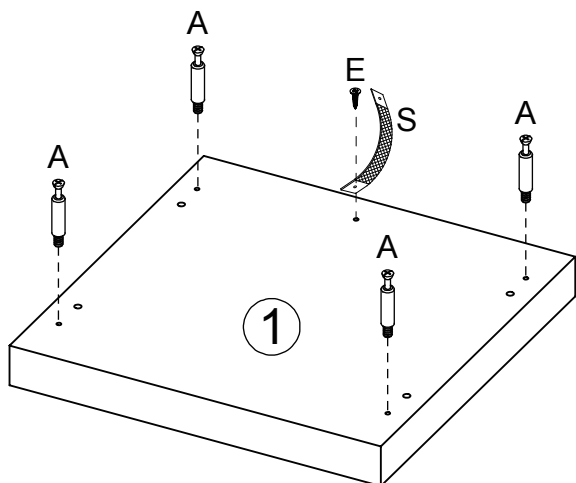


Fittings required



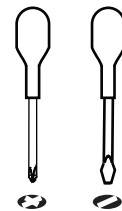
B x14

STEP 5

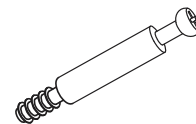


For this step:

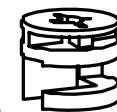
Tools required



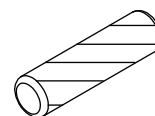
Fittings required



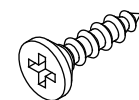
A x4



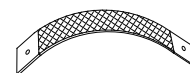
B x4



C x4

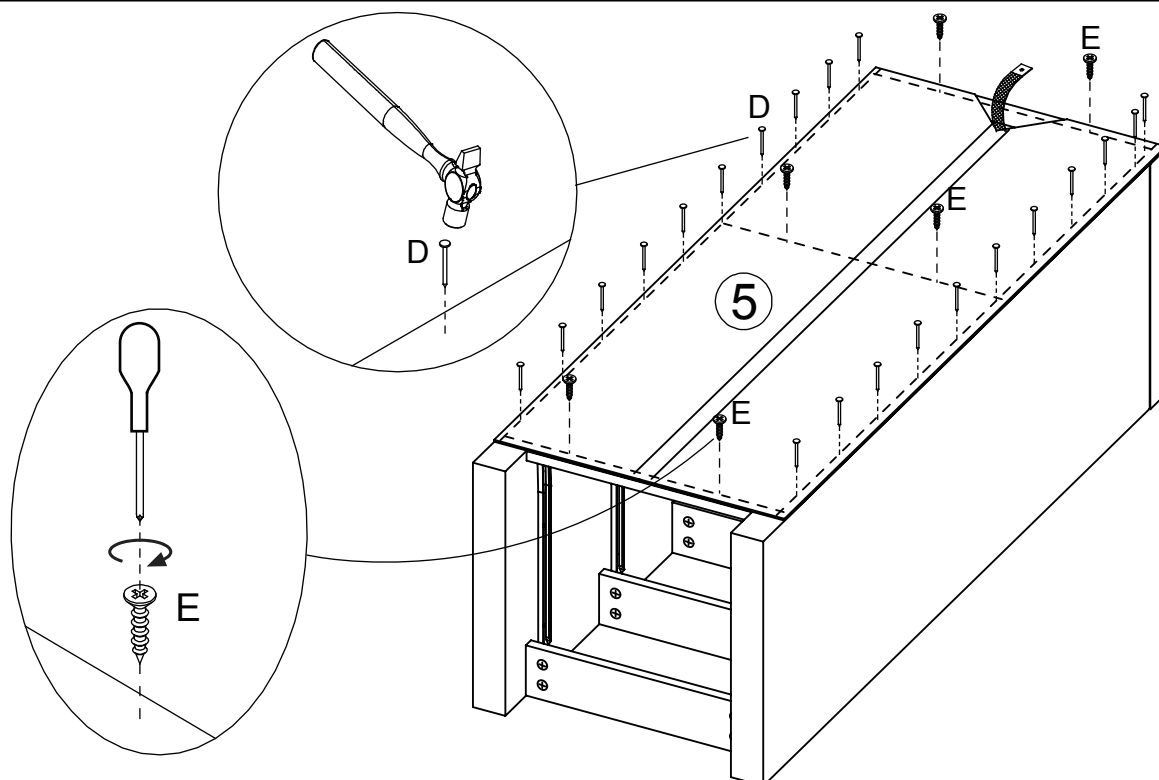


E x1



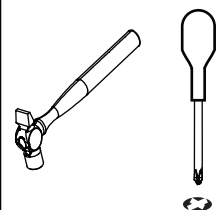
S x1

STEP 6

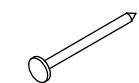


For this step:

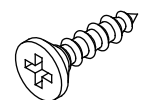
Tools required



Fittings required



D x20

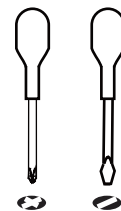


E x6

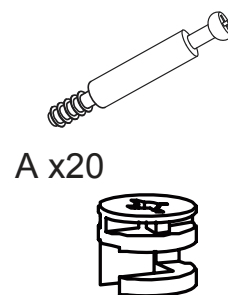
STEP 7

x5

For this step:
Tools required



Fittings required



A x20

B x20

E x20

F x5

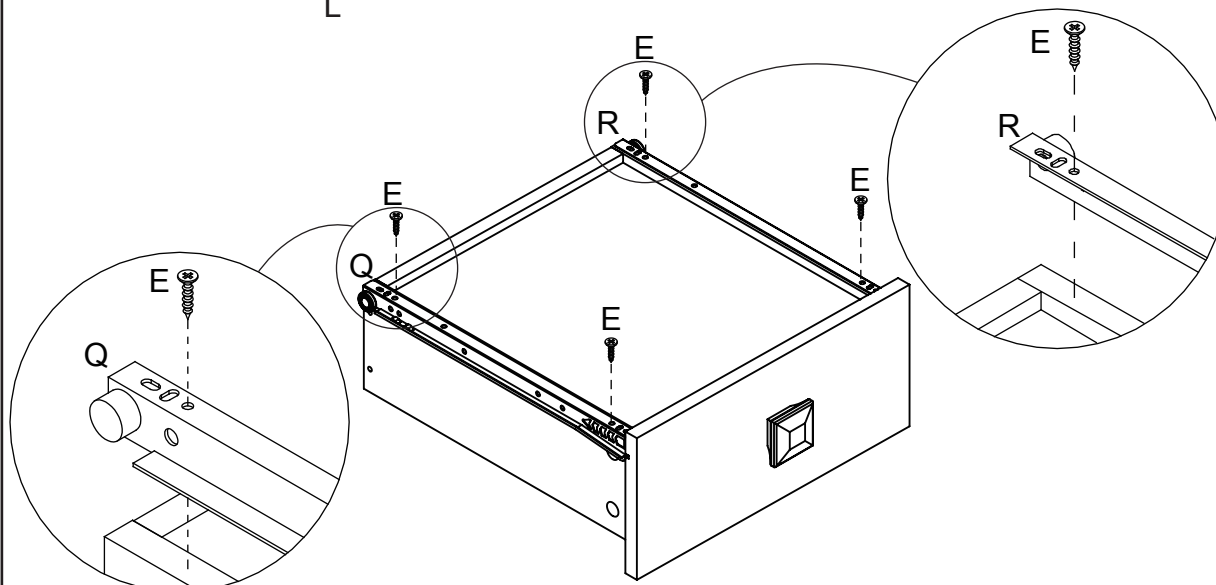
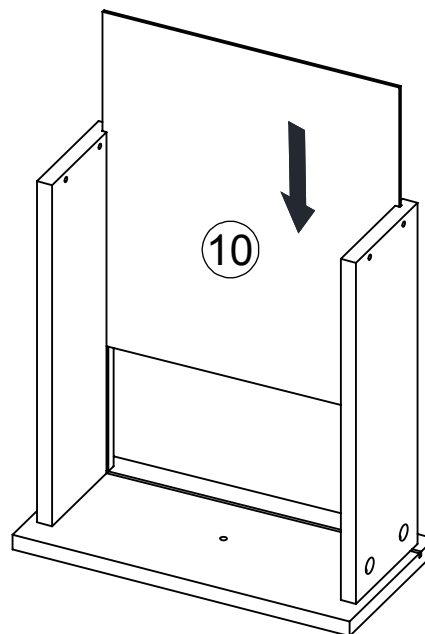
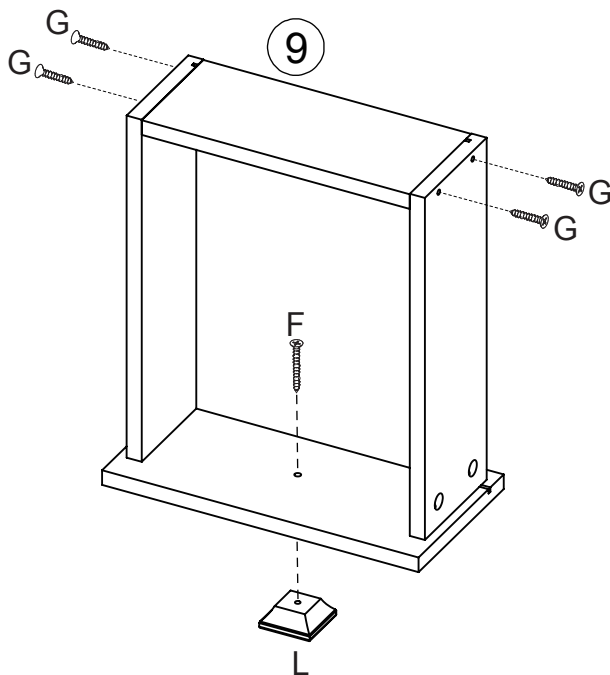
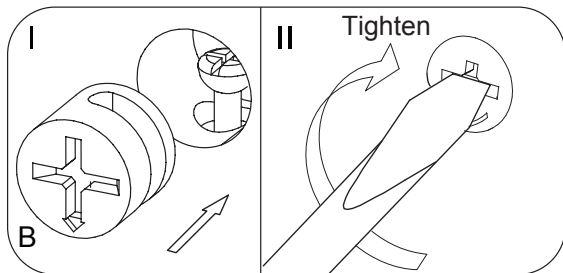
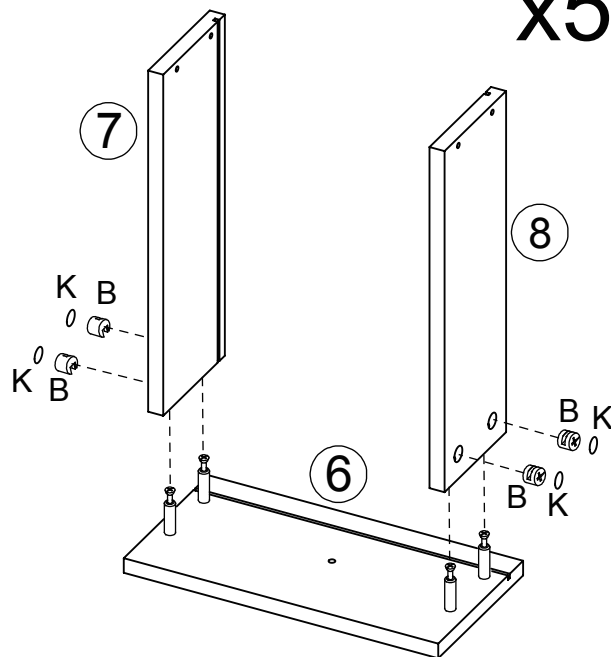
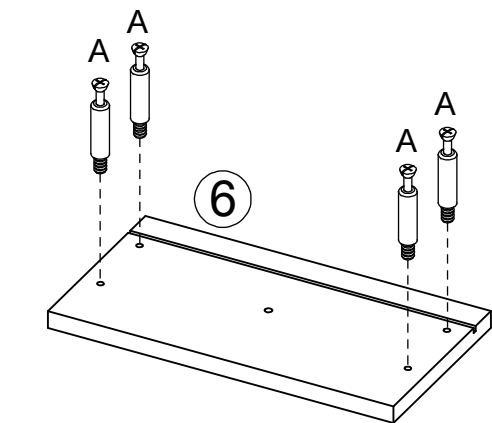
G x20

K x20

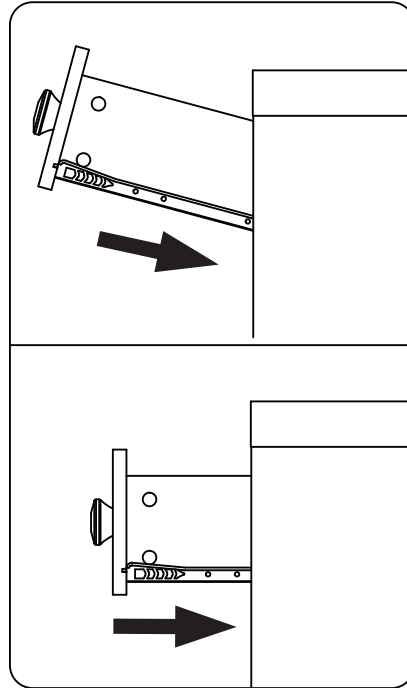
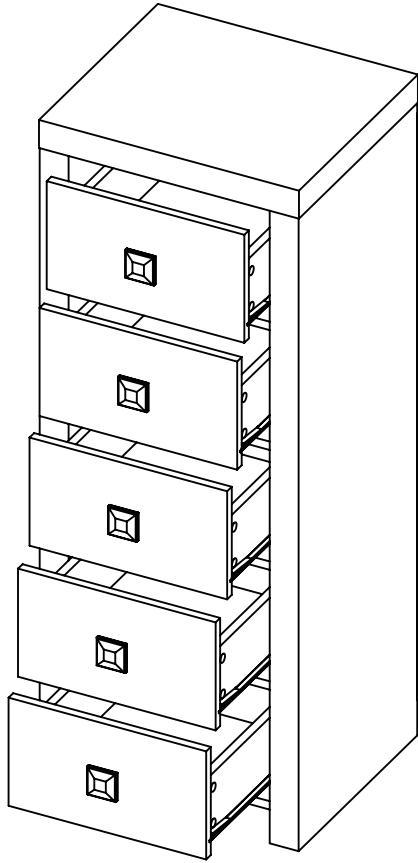
L x5

Q x5

R x5



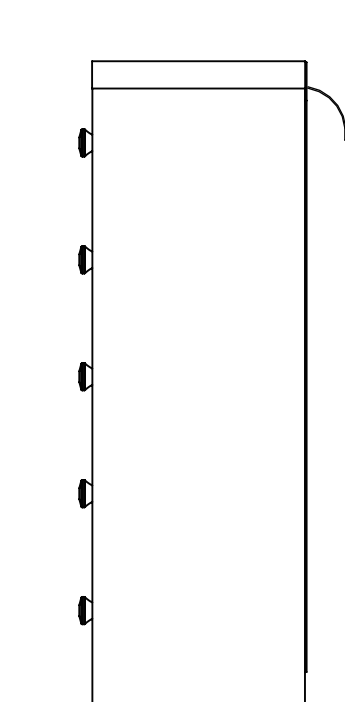
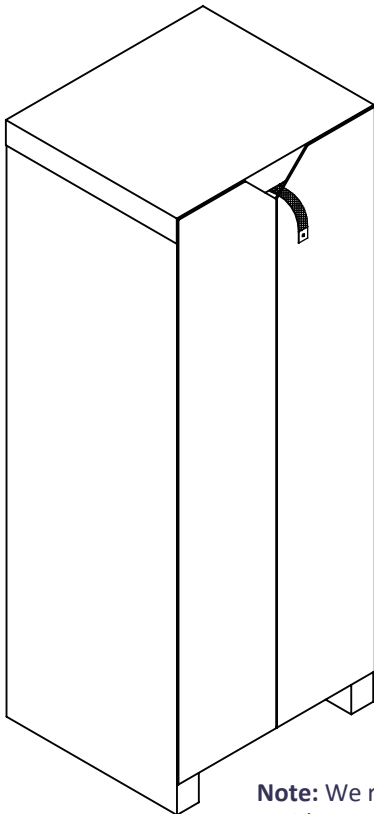
STEP 8



For this step:
Tools required

Fittings required

STEP 9



For this step:
Tools required

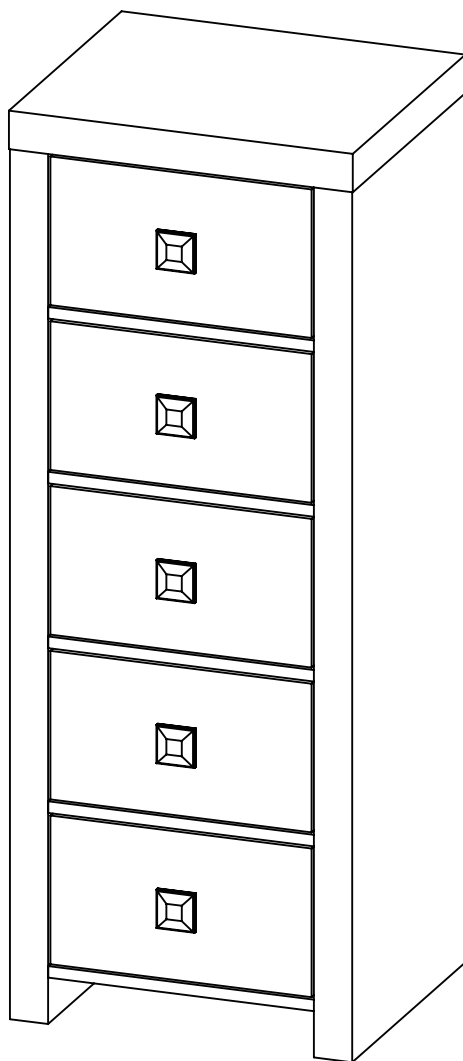
Fittings required

Note: We recommend the use of the wall strap provided (S) to avoid accidents and possible fatal injuries if the item falls over or tips over during use.

Warning: Always ensure the wall area to be drilled is free of electrical wires, water and gas pipes. We don't supply wall fixings as these must suit the wall type of your own home. If in doubt please consult a qualified trades person.

Assembly Completed

Your Jakarta 5 Drawer Slim Chest of Drawers is now completely assembled.
Periodically check to ensure that the components are in their proper position, free from damage.
Also, make sure the connectors are tight and secure.



Keep instructions for future reference

