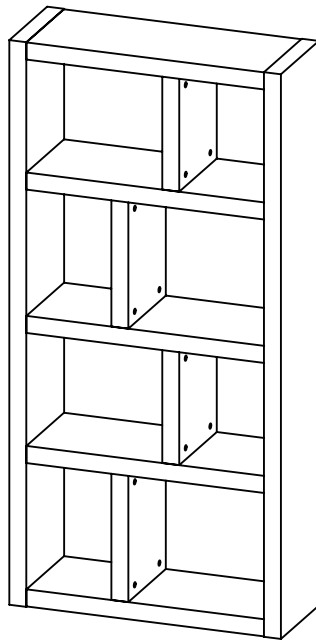


JAKARTA TALL OPEN SHELVING UNIT ASSEMBLY INSTRUCTIONS

Thank you for purchasing the Jakarta Tall Open Shelving Unit.

Please read the instructions carefully to ensure safe operation of this product.



Size: 80 x 29.5 x 165 cm (WDH)

Colour: Mango

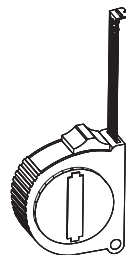
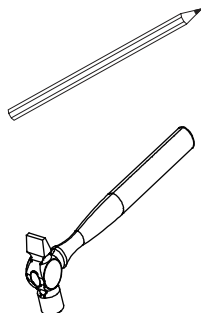
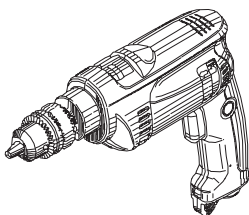
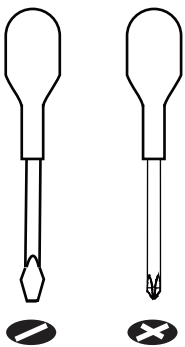
Finish: Melamine Veneer

PLEASE READ this sheet prior to assembly to familiarise yourself with the various stages of construction.

Carefully open the pack supplied and check the contents against the parts and fittings check list. Do not destroy any of the packaging until you are certain that you have all the necessary parts for the assembly.

CAUTION: There are small components used in the construction of this unit. These loose items should be kept away from young children whilst assembling your unit to avoid the danger of choking.

Tools Required



Number of people



1 1/2 Set Up

IMPORTANT - READ CAREFULLY - RETAIN THESE INSTRUCTIONS FOR FUTURE REFERENCE.

INFORMATION

- This product is designed to hold 20Kg distributed evenly throughout the product - do not exceed this weight.
- We recommend that this unit is assembled in the room intended for use.
- When you are ready to start, make sure that you have the right tools, plenty of space and a clean, dry area for assembly.
- Unwrap all packaging materials and place the components on top of the carton box or on a clean floor to prevent it from scratching.
- Check the pack and make sure you have all the parts listed.
- Ensure that this product is fully assembled as illustrated before use.
- Check all screws or bolts are tightened and inspect regularly
- Tools are not included unless specified in parts list.

WARNINGS

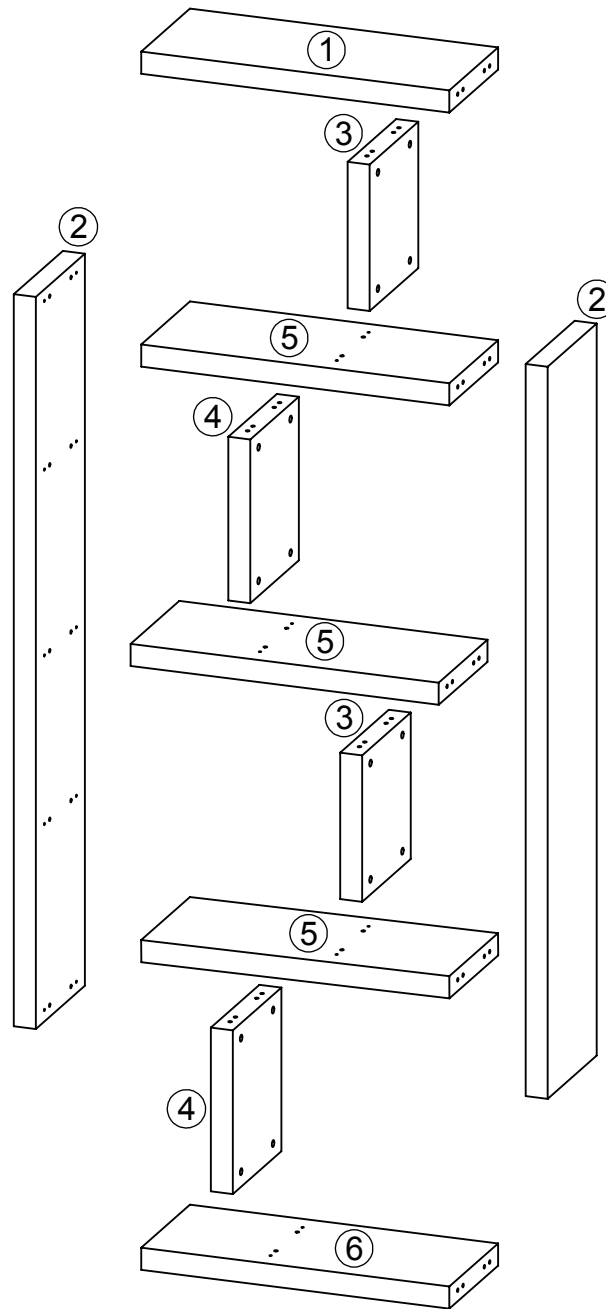
- This product should only be used on a firm and level floor.
- Keep small parts out of reach of children.
- Make sure the legs/base remain in contact with the floor.
- DO NOT use power tools to construct this product.
- DO NOT tighten screws until parts are assembled or as advised in this guide. over
- DO NOT tighten screws or bolts.
- DO NOT use this product if parts are missing, damaged or worn.
- DO NOT sit or stand on the product.
- N.B. For safety reasons, we recommend the use of the anti-tilt wall fixing bracket (S) to prevent any accidental tipping over of the product.
Walls can be quite different in construction so fixings are not supplied - choose the most suitable fixing for your wall type - if in doubt consult an expert.
When drilling the wall always be sure the area to be drilled is free from hidden electrical wiring or gas / water pipes .

CARE INFORMATION

- Never use scourers, abrasives or chemical cleaners.
- To clean, wipe with a damp sponge. Do not use solvent based cleaners or detergents as they can bleach or damage the product.

Parts and Fittings Checklist

Please check the pack contents before assembling the product. If any components are missing, please contact your retailer. The fittings pack contains small items that should be kept away from small children.



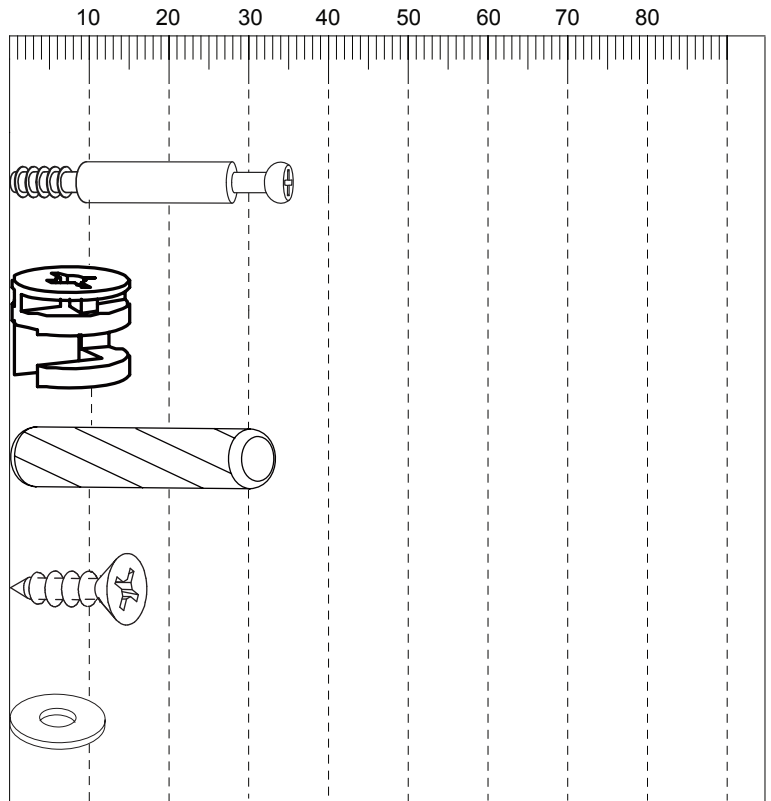
All parts are packed in one carton

1	2	3
Description: Top Panel Qty: 1 Size: 700 x 295 x 50 mm Carton No: 1/1	Description: Side Panel Qty: 2 Size: 1650 x 295 x 50 mm Carton No: 1/1	Description: Short Upright Qty: 2 Size: 330 x 293 x 50 mm Carton No: 1/1
4	5	6
Description: Tall Upright Qty: 2 Size: 369 x 293 x 50 mm Carton No: 1/1	Description: Fixed Shelf Qty: 3 Size: 700 x 295 x 50 mm Carton No: 1/1	Description: Base Panel Qty: 1 Size: 700 x 295 x 50 mm Carton No: 1/1

JAKARTA TALL OPEN SHELVING UNIT ASSEMBLY INSTRUCTIONS

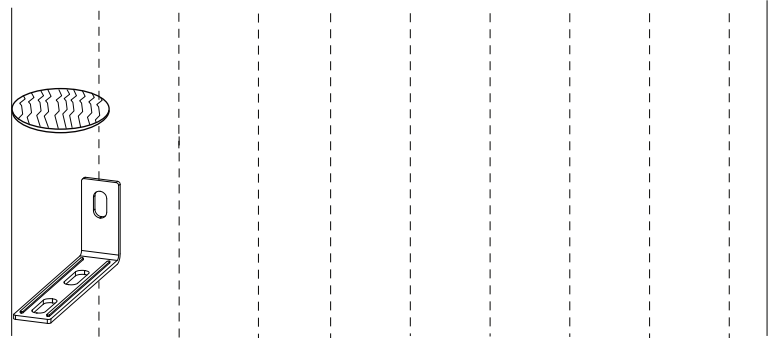
Fittings (to scale)

Code	Item	Quantity
A	Cam Bolt (35mm overall)	36
B	Cam Lock	36
C	Dowel (8x30mm)	36
D	Screw for Fitting Anti-tilt Metal Bracket (3.5x16mm)	2
E	Flat Washer	2

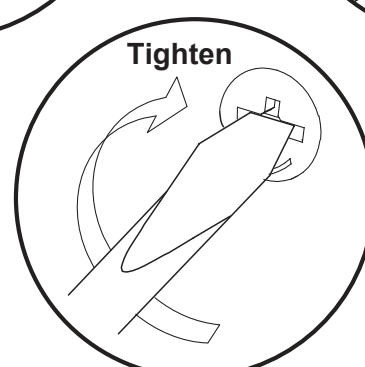
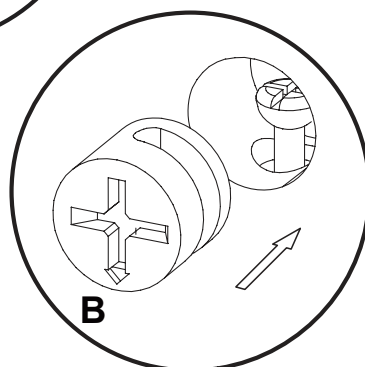
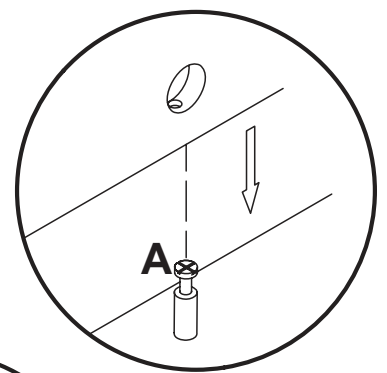
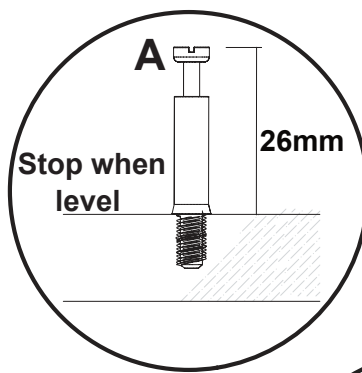
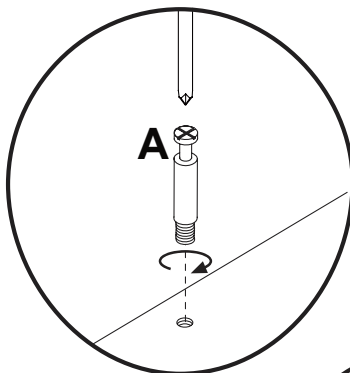


Fittings (not to scale)

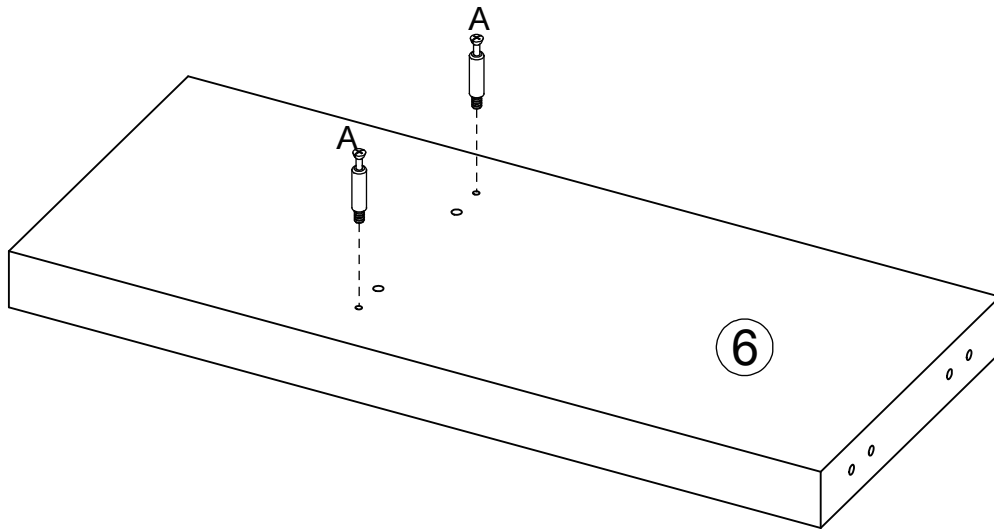
Code	Item	Quantity
K	Cam Cover	36
S	Anti-tilt Metal Bracket	1



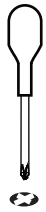
General Hints & Tips



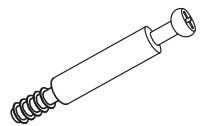
STEP 1



For this step:
Tools required

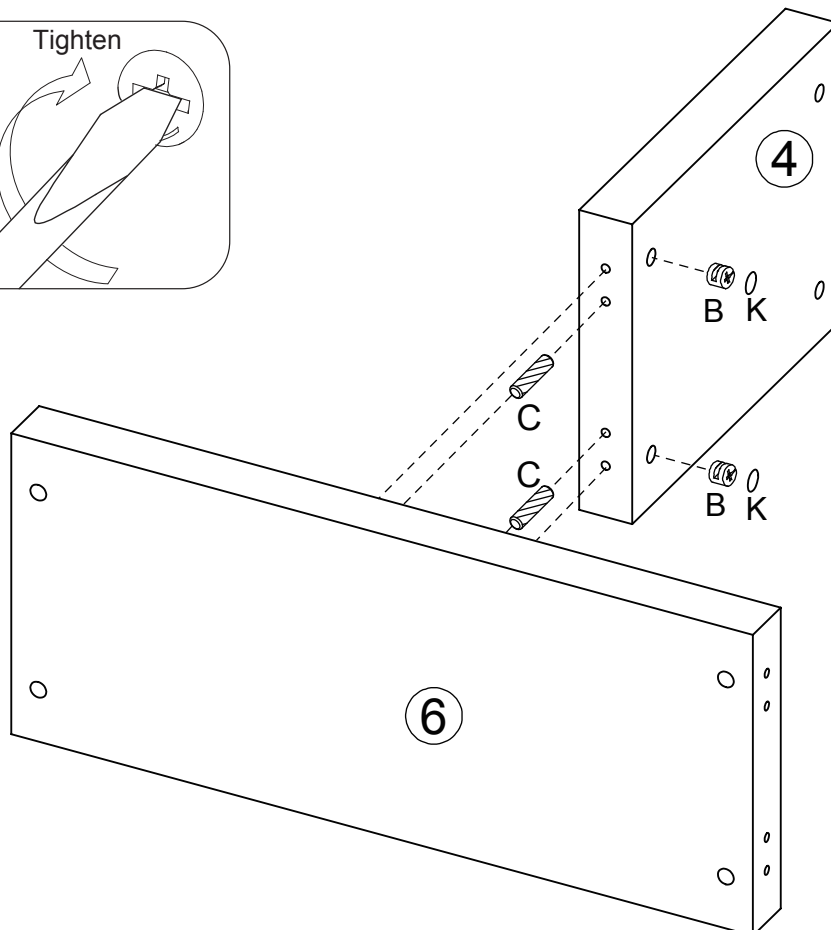
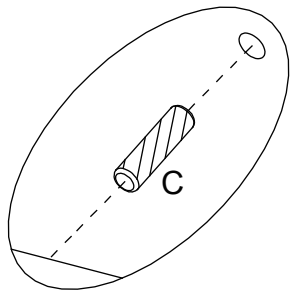
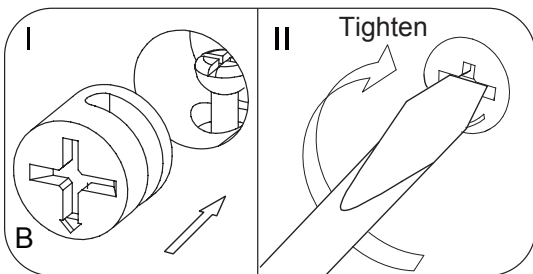


Fittings required



A x2

STEP 2



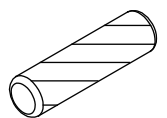
For this step:
Tools required



Fittings required



B x2

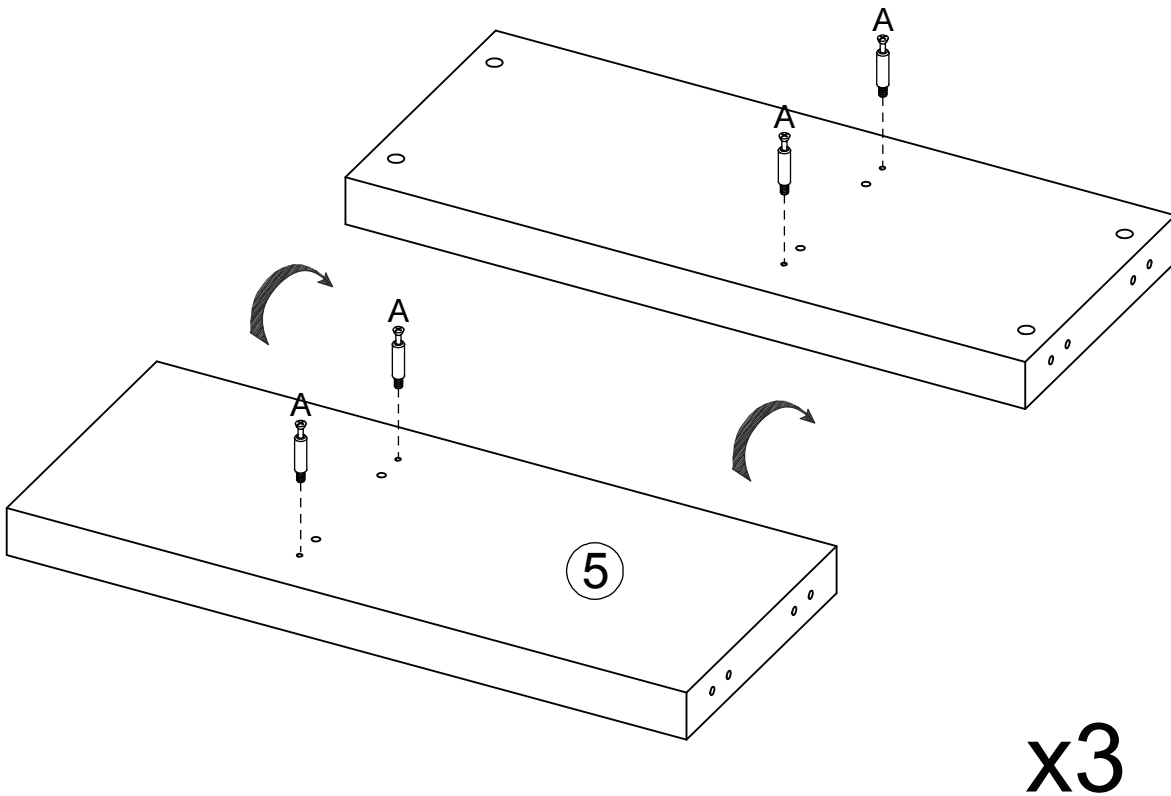


C x2

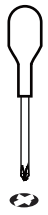


K x2

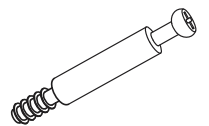
STEP 3



For this step:
Tools required



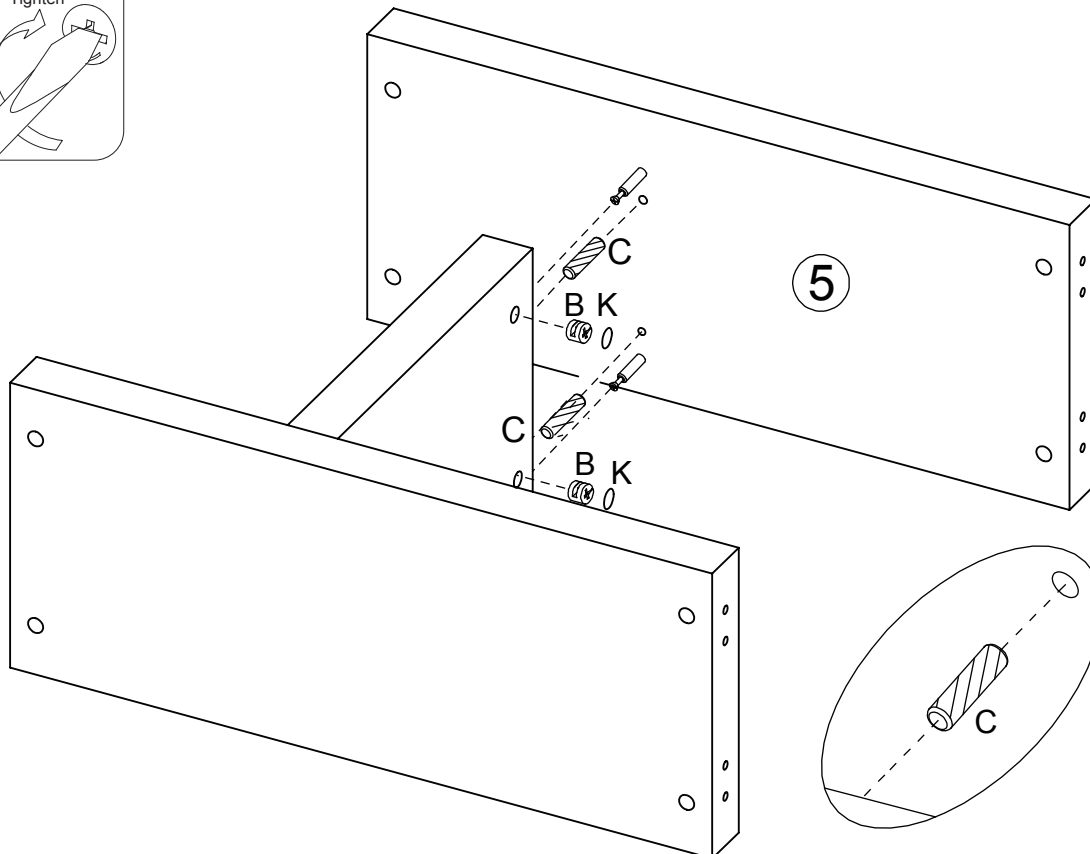
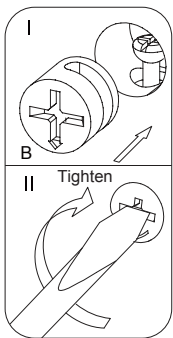
Fittings required



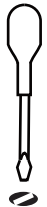
A x12

x3

STEP 4



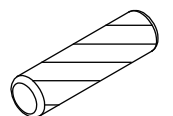
For this step:
Tools required



Fittings required



B x2

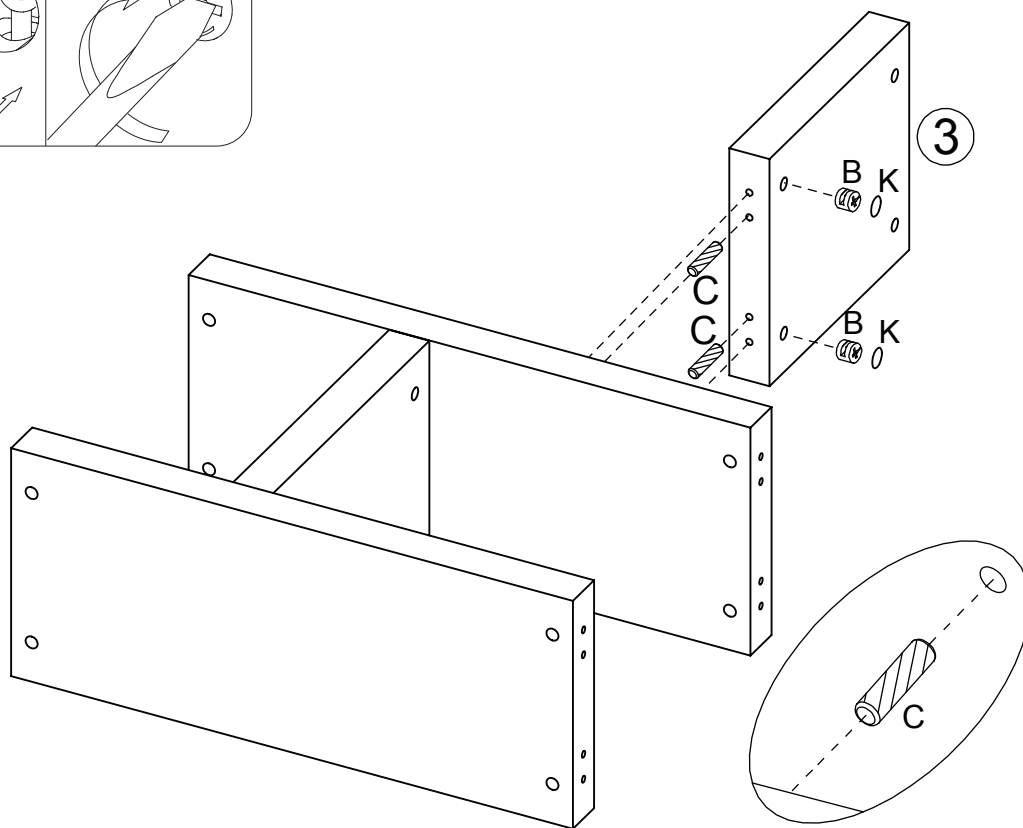
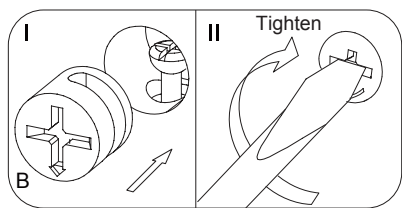


C x2



K x2

STEP 5



For this step:

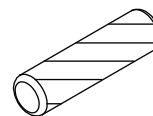
Tools required



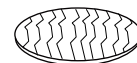
Fittings required



B x2

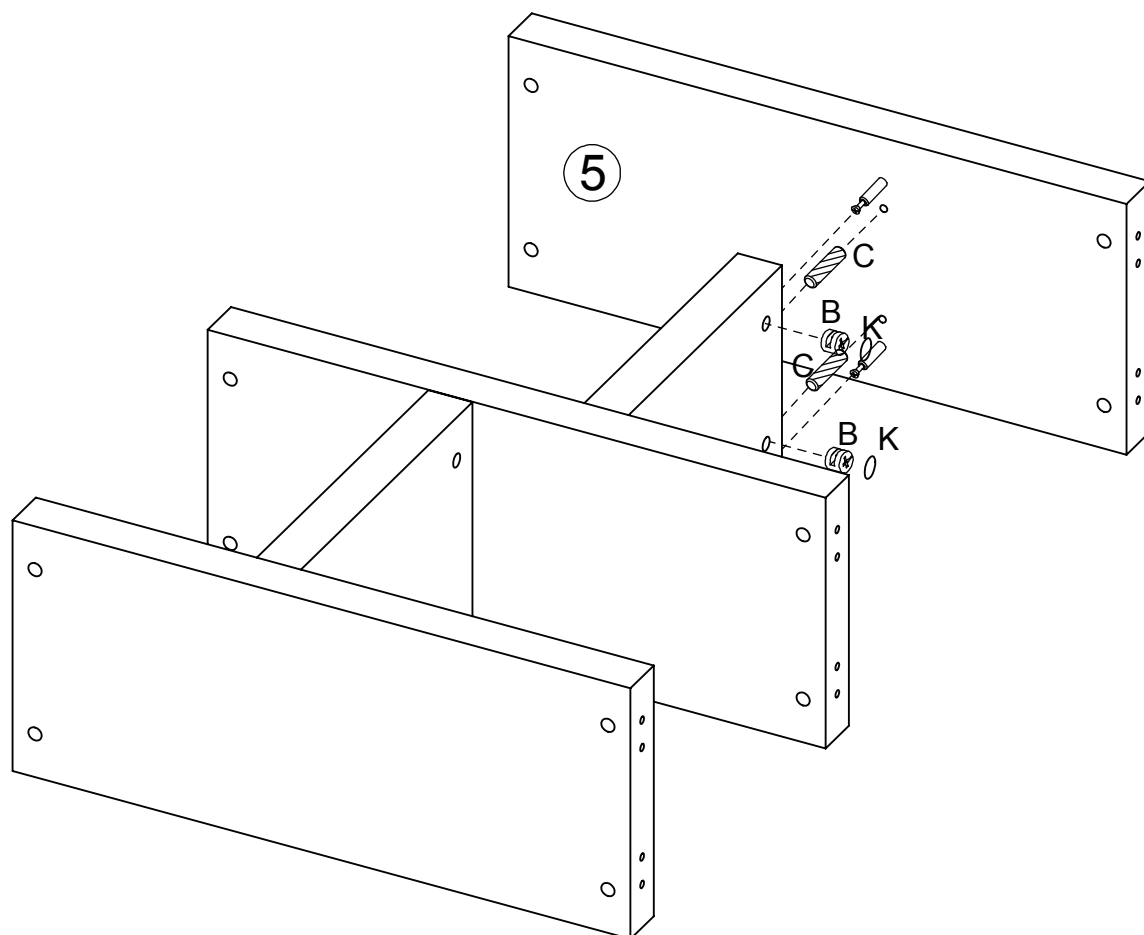


C x2



K x2

STEP 6



For this step:

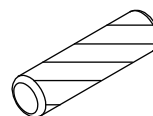
Tools required



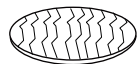
Fittings required



B x2

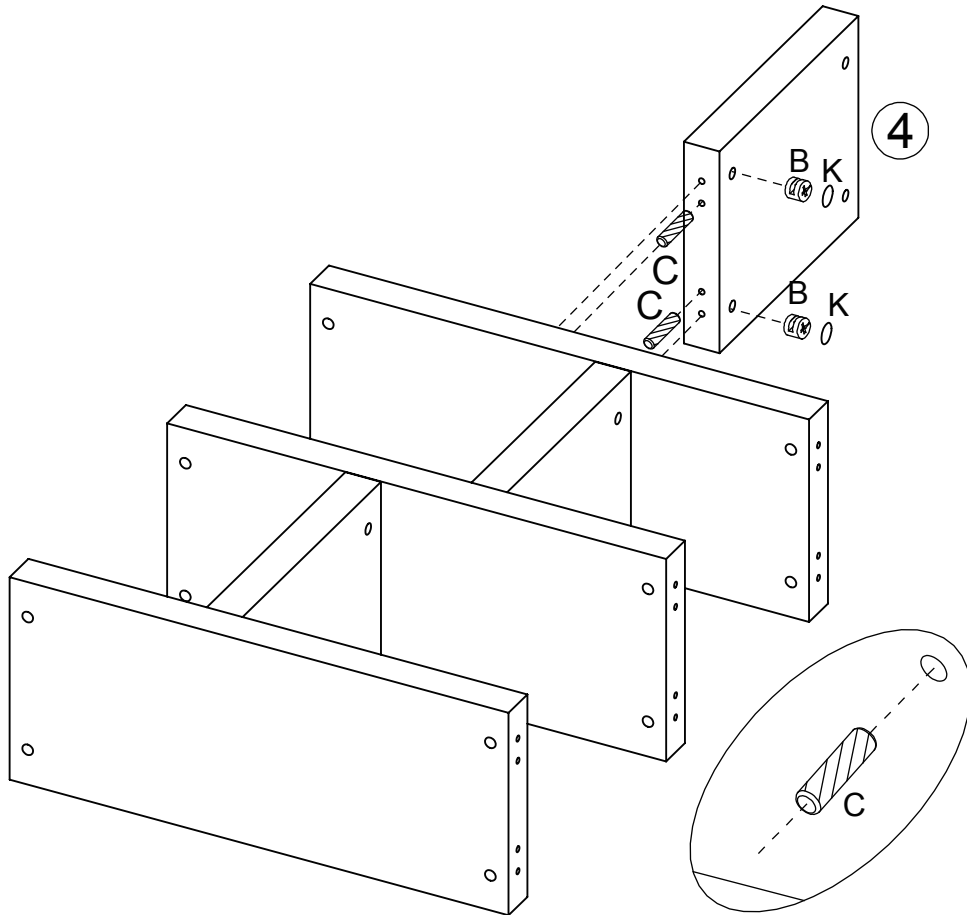
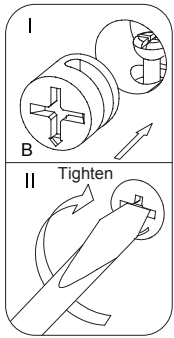


C x2

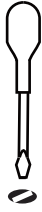


K x2

STEP 7



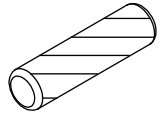
For this step:
Tools required



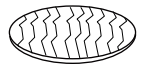
Fittings required



B x2

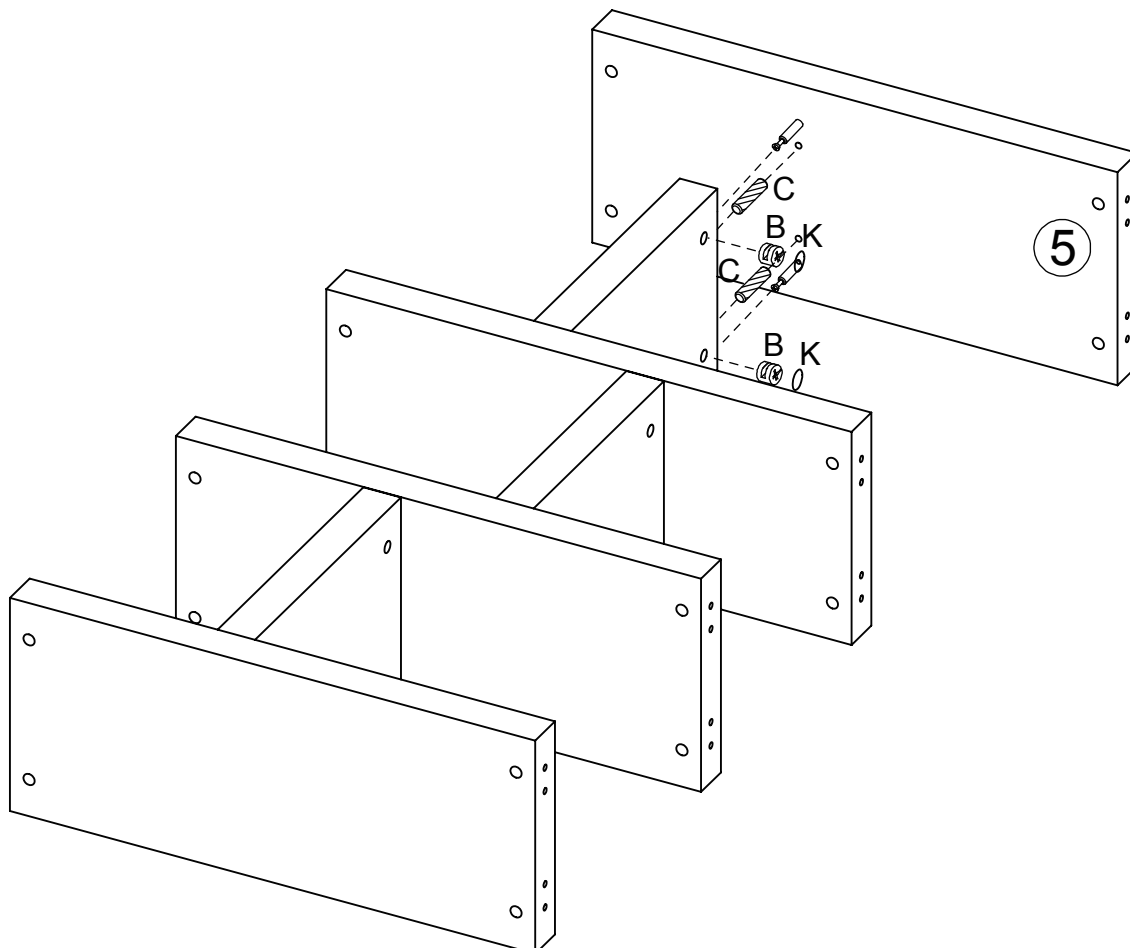


C x2



K x2

STEP 8



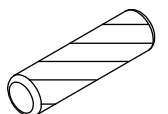
For this step:
Tools required



Fittings required



B x2

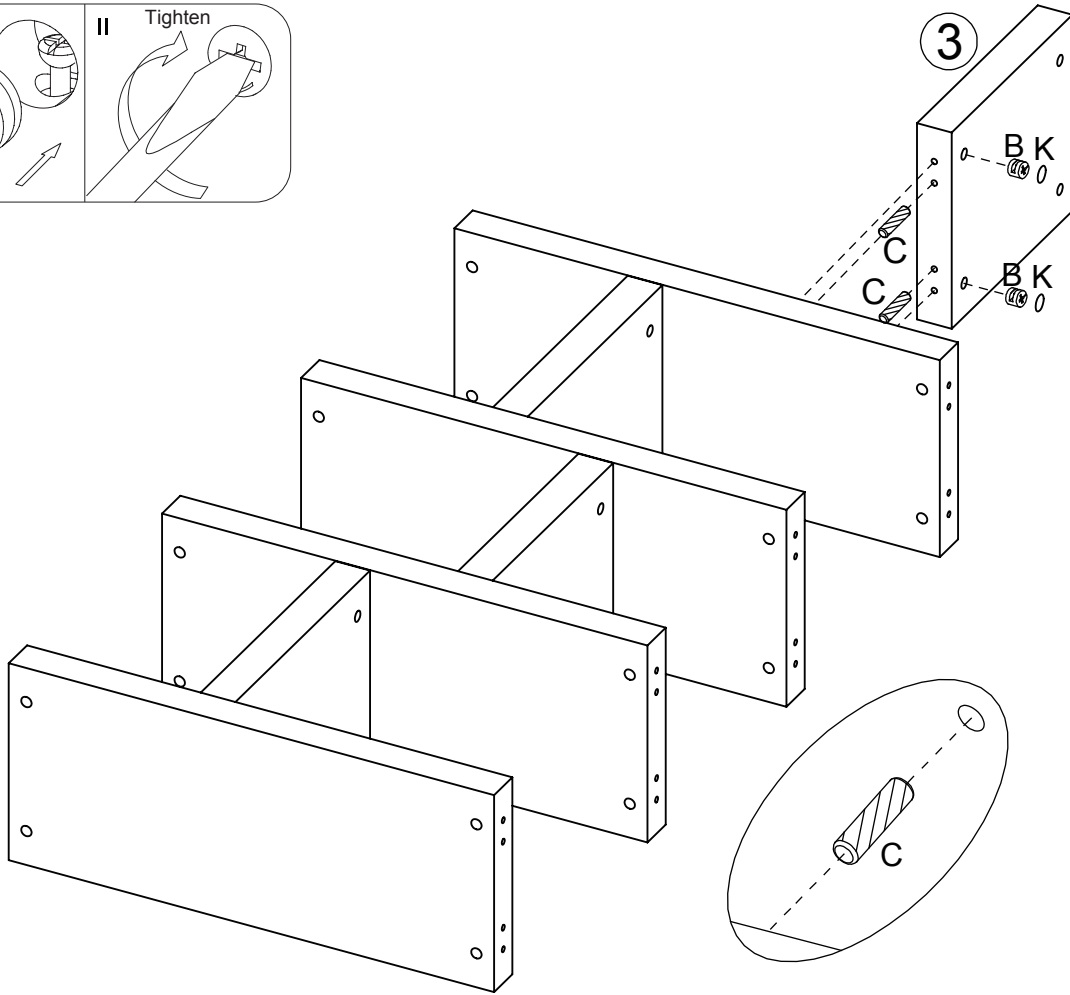
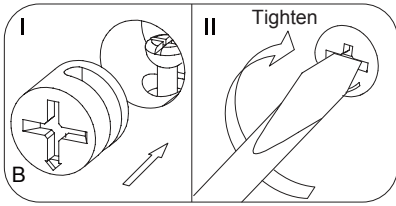


C x2



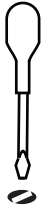
K x2

STEP 9



For this step:

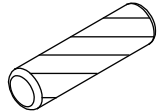
Tools required



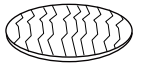
Fittings required



B x2

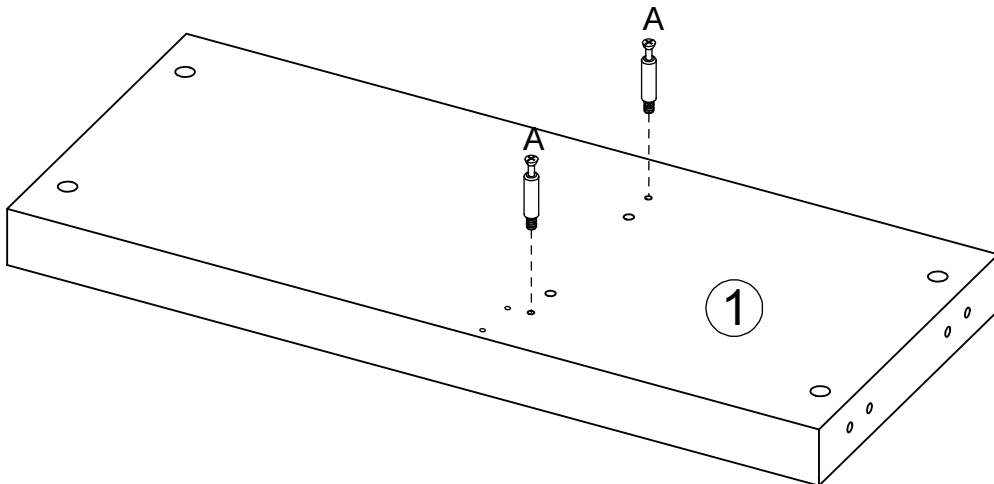


C x2



K x2

STEP 10

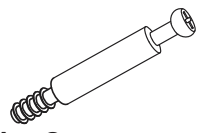


For this step:

Tools required

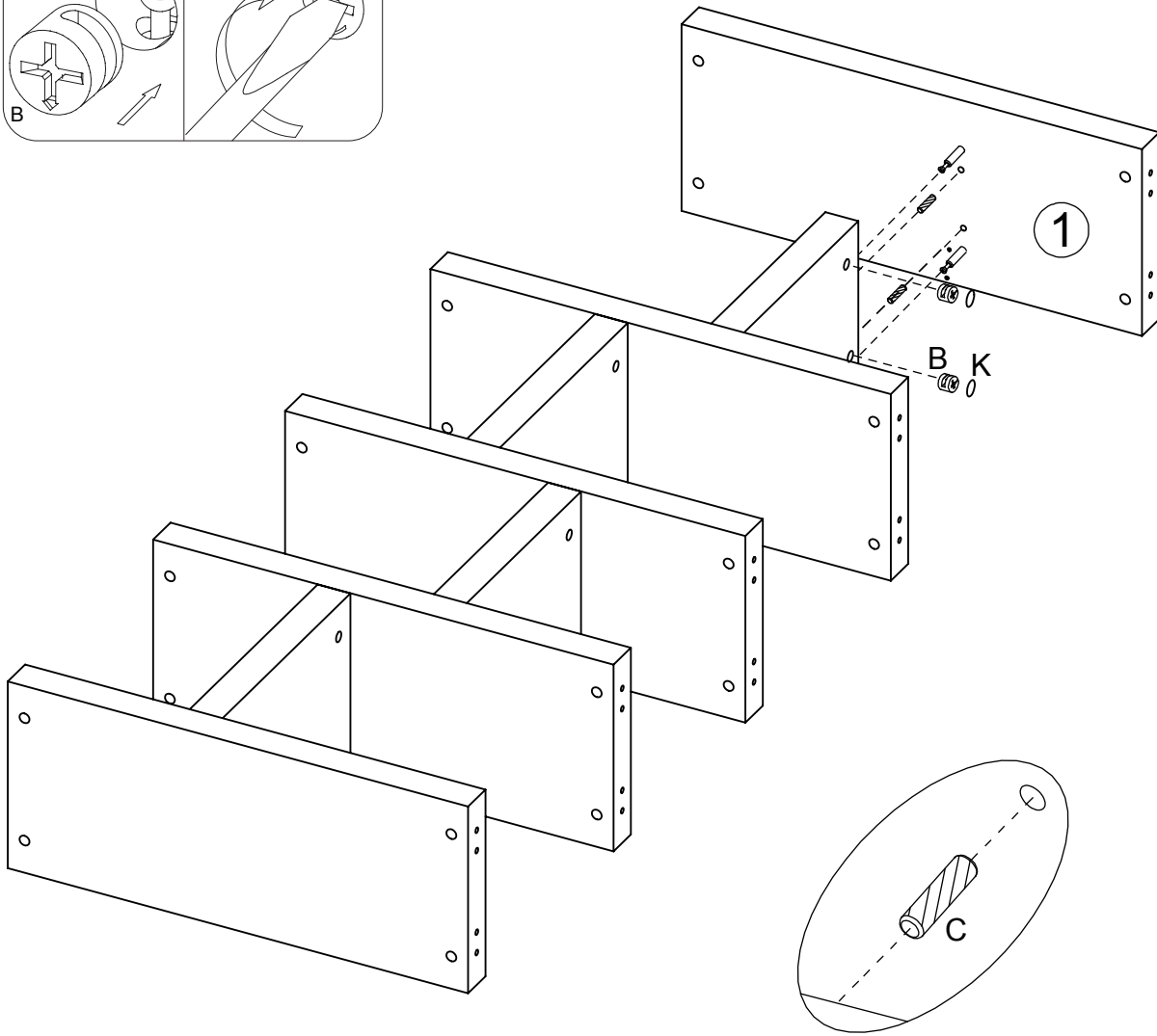
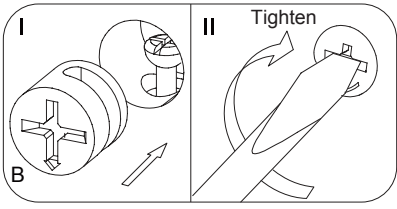


Fittings required



A x2

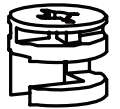
STEP 11



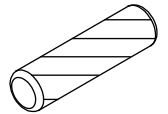
For this step:
Tools required



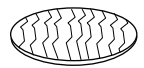
Fittings required



B x2



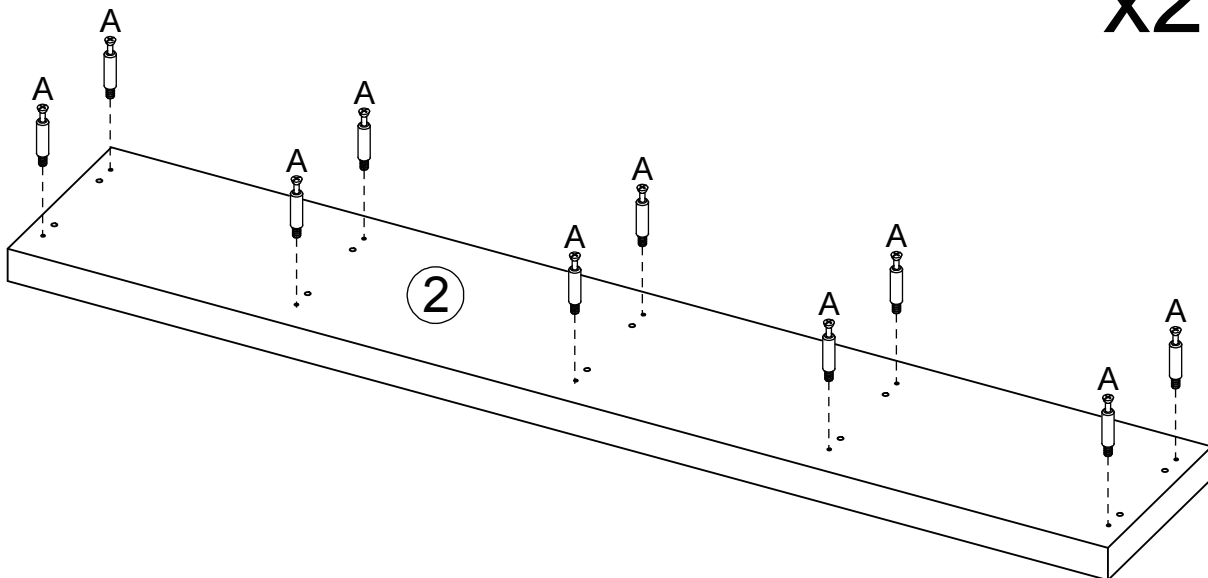
C x2



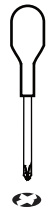
K x2

STEP 12

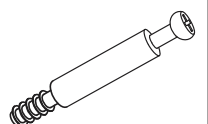
x2



For this step:
Tools required

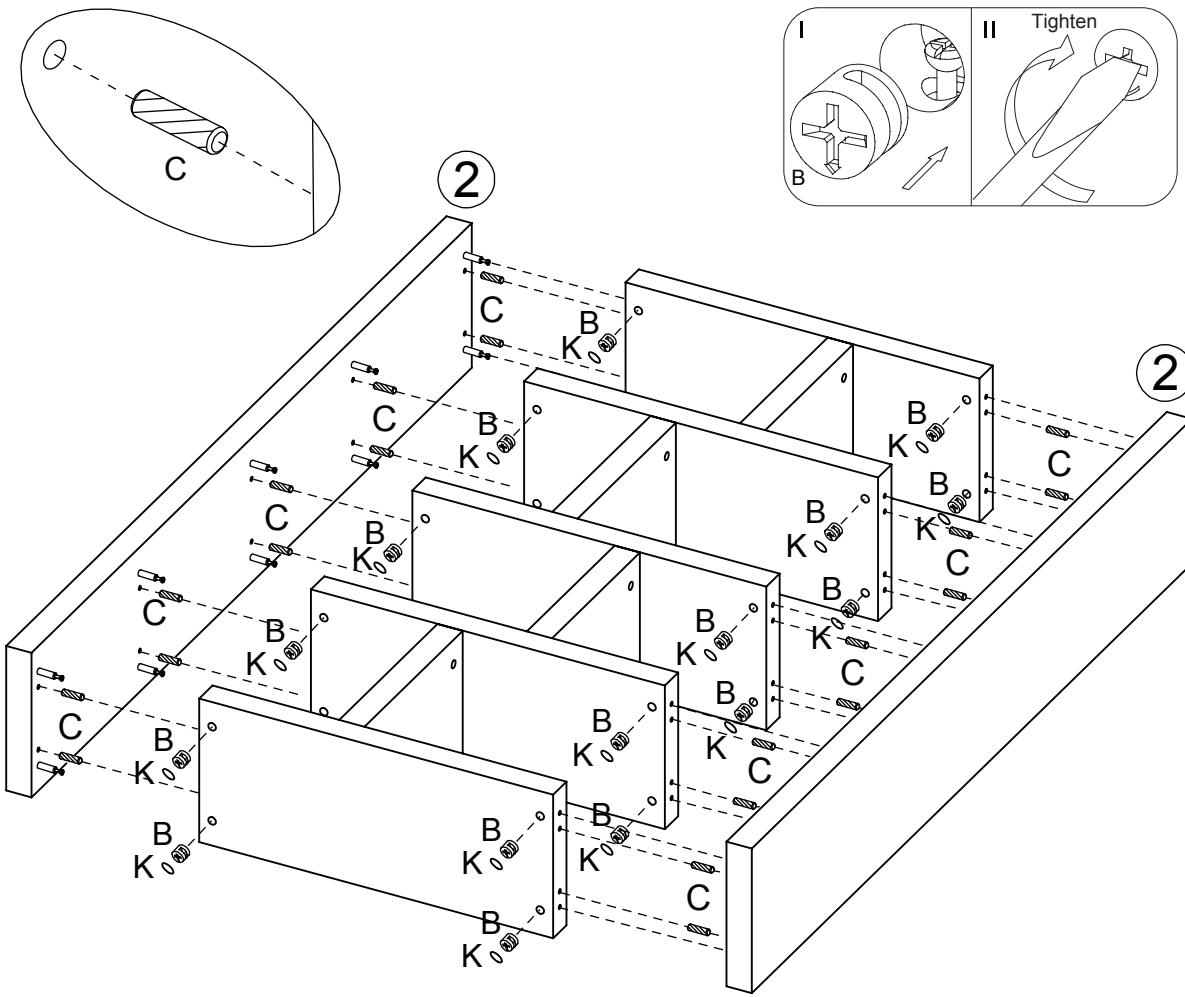


Fittings required



A x20

STEP 13



For this step:

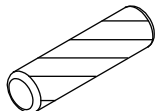
Tools required



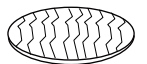
Fittings required



B x20

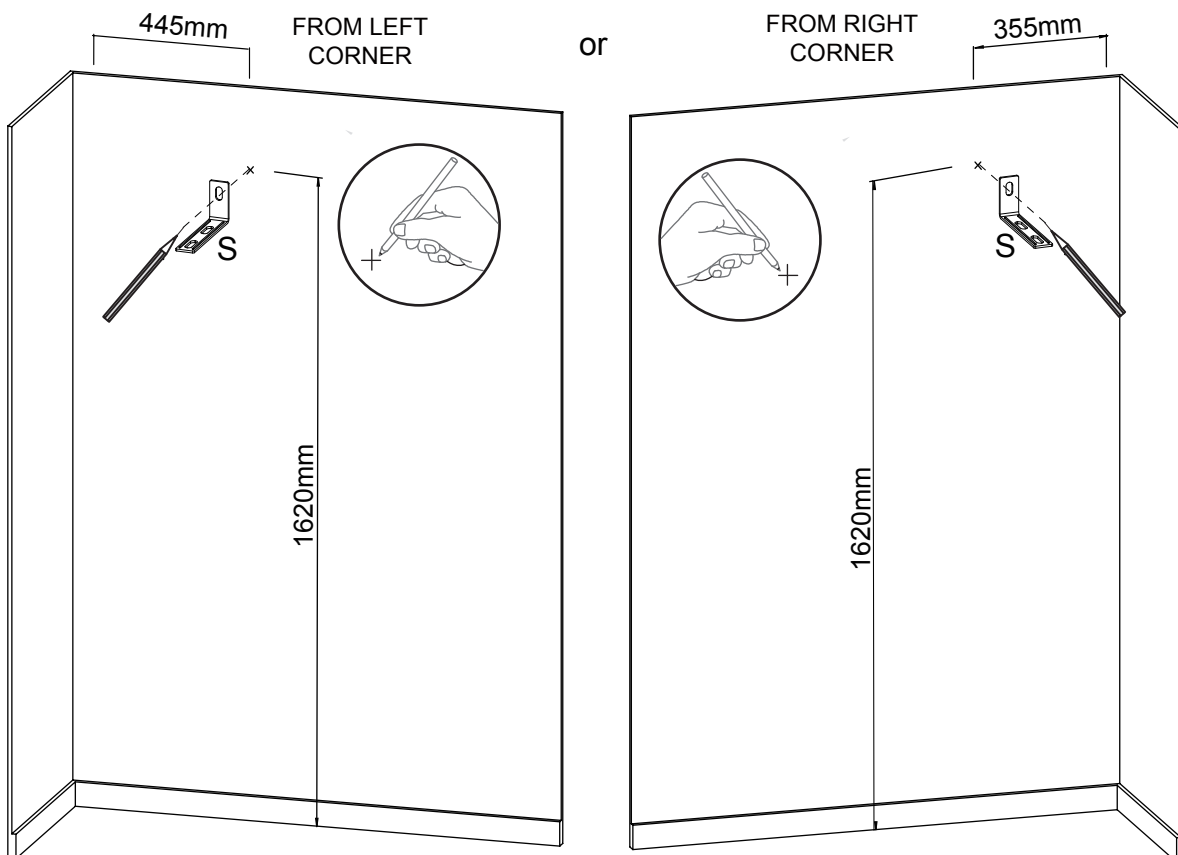


C x20



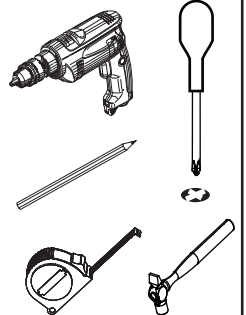
K x20

STEP 14

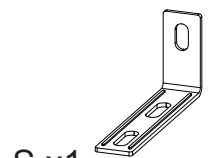


For this step:

Tools required



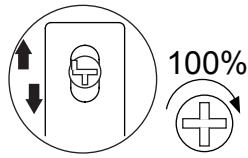
Fittings required



S x1

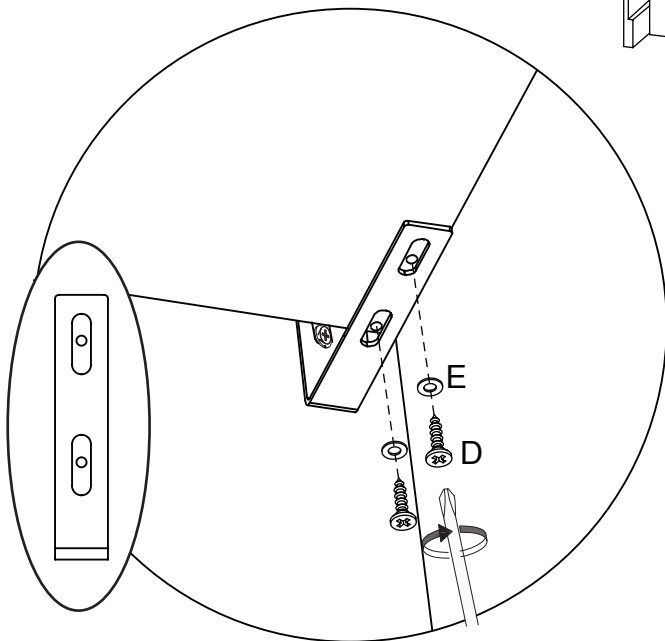
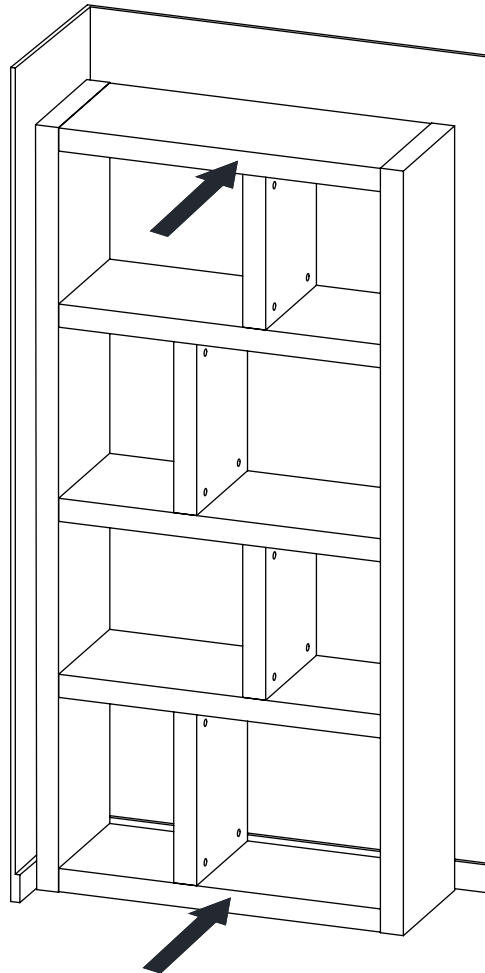
STEP 15

- i. Adjust the height position for anti-tilt metal bracket (S) using dimensions shown in Step 14 - Short leg sits behind the Top Panel (1) for aesthetics, Then tighten screw 100%



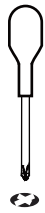
- ii. Push carcass into correct position easing top shelf over the bracket, lining up the two slots in the bracket, with fixing holes in the underside of the top.

Securely fix the anti-tilt metal bracket (S) to underside of top panel (1) using screws (D) and flat washers (E), then tighten 100%.

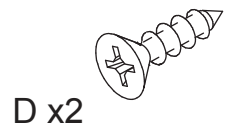


For this step:

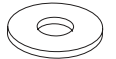
Tools required



Fittings required



D x2



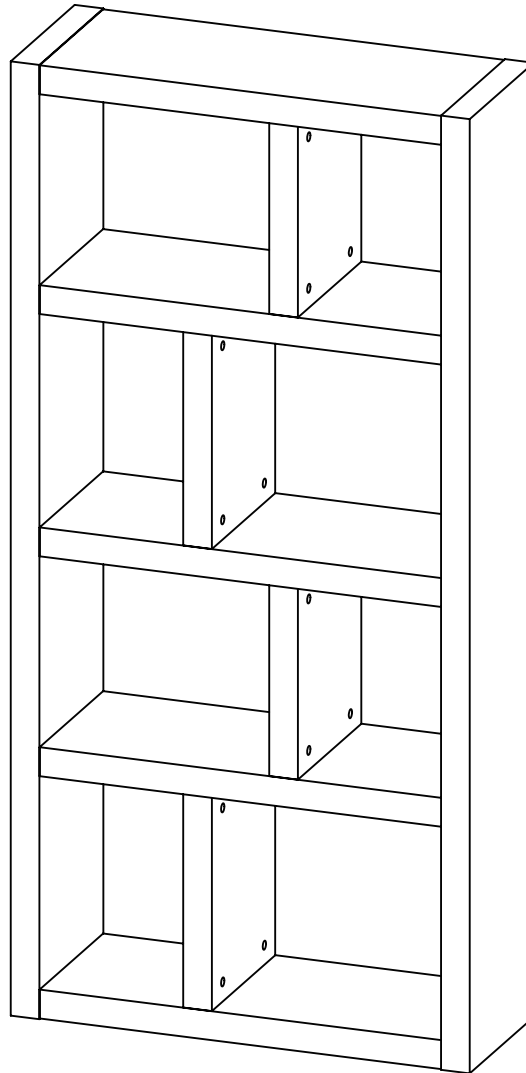
E x2

Assembly Completed

Your Jakarta Tall Open Shelving Unit is now completely assembled.

Periodically check to ensure that the components are in their proper position, free from damage.

Also, make sure the connectors are tight and secure.



Keep instructions for future reference

