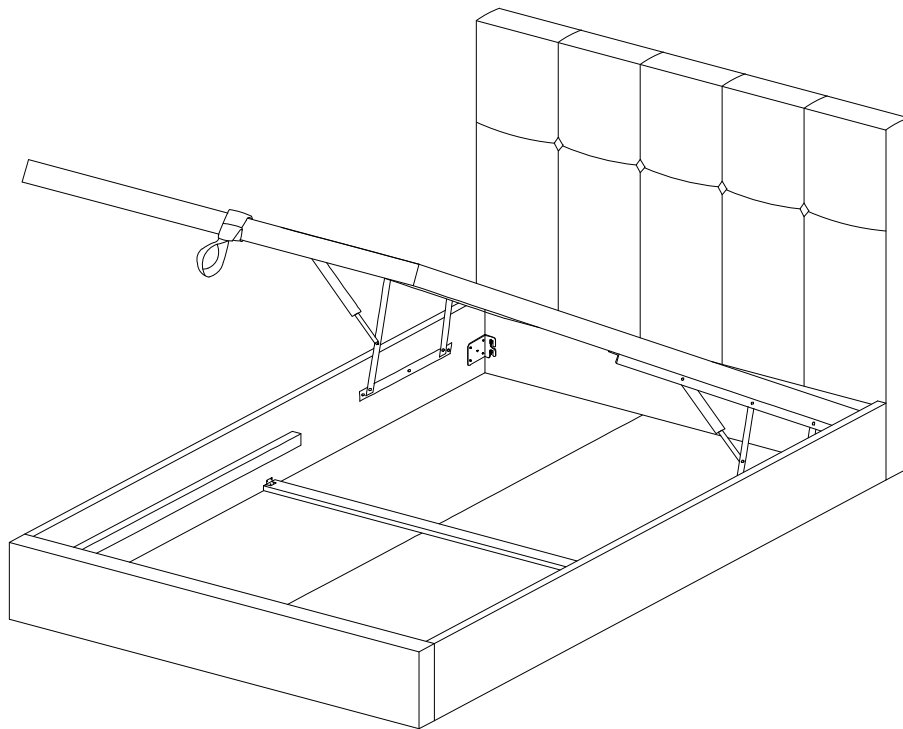
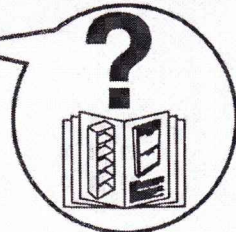
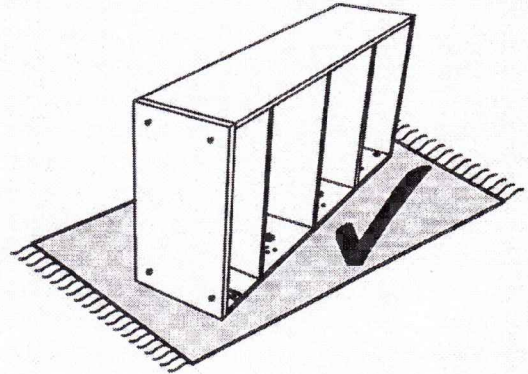
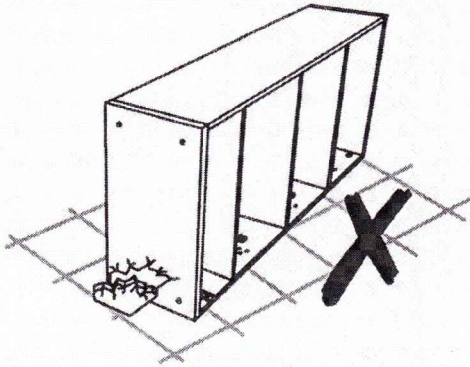
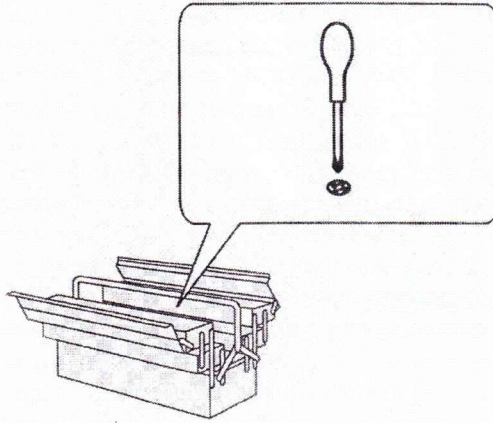
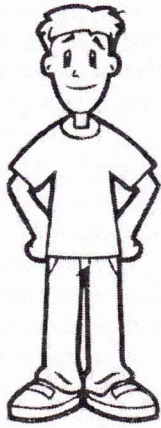


Julian Bowen Limited

Sorrento Storage Bed 150cm

Assembly Instructions





Julian Bowen Limited
(01623 727374)

HARDWARE

A



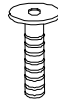
M8 x 20mm (4 PCS)

B



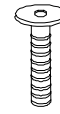
FLANGE NUT (8 PCS)

C



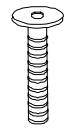
M8 x 30mm (14 PCS)

D



M8 x 40mm (4 PCS)

E



M8 x 65mm (8 PCS)

F



M4 x 20mm (4 PCS)

G



M4 x 30mm (2 PCS)

H



HANDLE (1 PC)

I



FLAT WASHER (39 PCS)

J



SPRING WASHER (6 PCS)

K



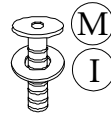
HEX NUT (2 PCS)

L



M5 ALLEN KEY (1 PC)

M



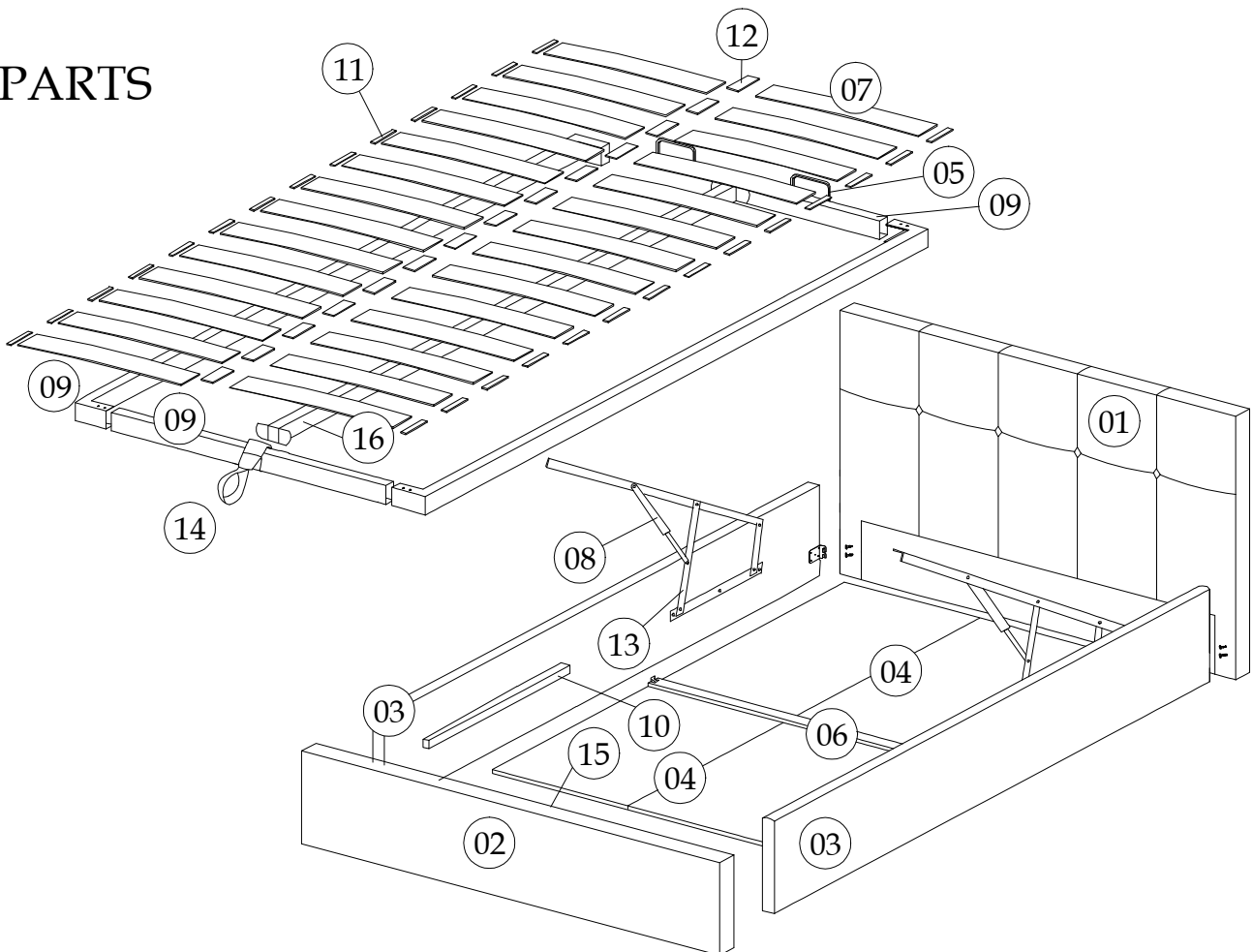
Already inserted into
Head & Foot Ends
M8 x 30mm
+ FLAT WASHER
(8 PCS)

N



SPANNER (1 PC)

PARTS



Safety Advice

Please take the time to carefully read through the whole of these instructions before you commence.

Keep these instructions for future reference.

Unpack, inspect and check off all of the contents.

Please dispose of all packaging safely.

Small component parts could choke a child if swallowed.

We strongly recommend that you keep children well away from the work area.

It would be sensible to lay a sheet or blanket on the floor where you intend to work to avoid scratching this product and to protect your floor.

This product is heavy. Take extreme care when lifting to avoid personal injury or damage to the product.

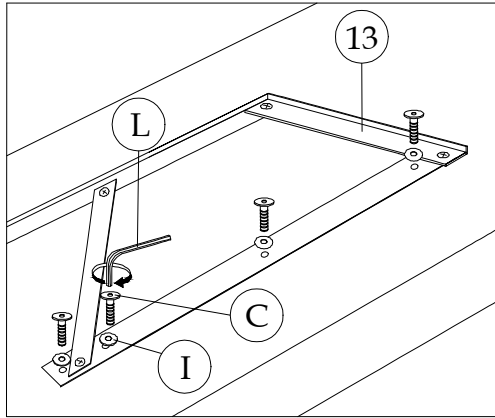
Assemble the product as close to its intended final position in the room as possible.

Maximum Mattress Weight for Correct Operation -
45kg (150cm x 200cm)

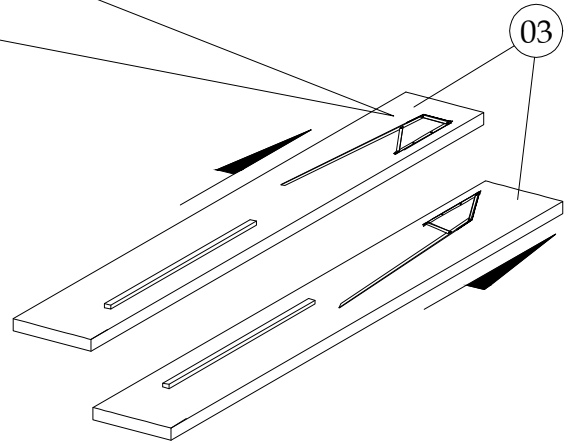
HANDY HINT: If you keep the hardware in a bowl during assembly you will be less likely to lose them.

1

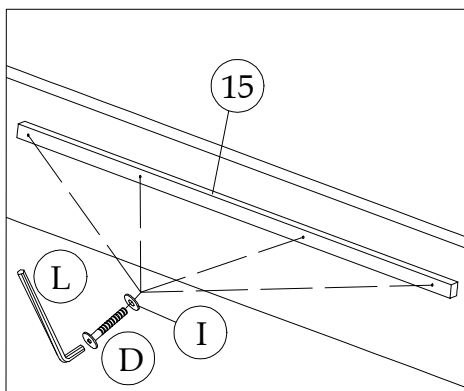
Do not fully tighten the bolts as the brackets may need to be adjusted once the mattress frame is attached.



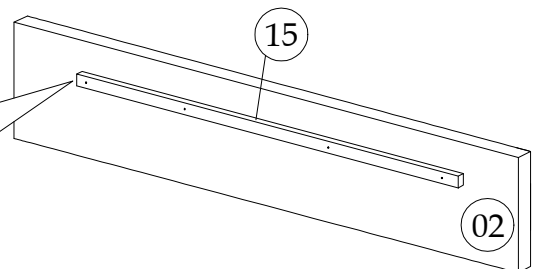
X 8



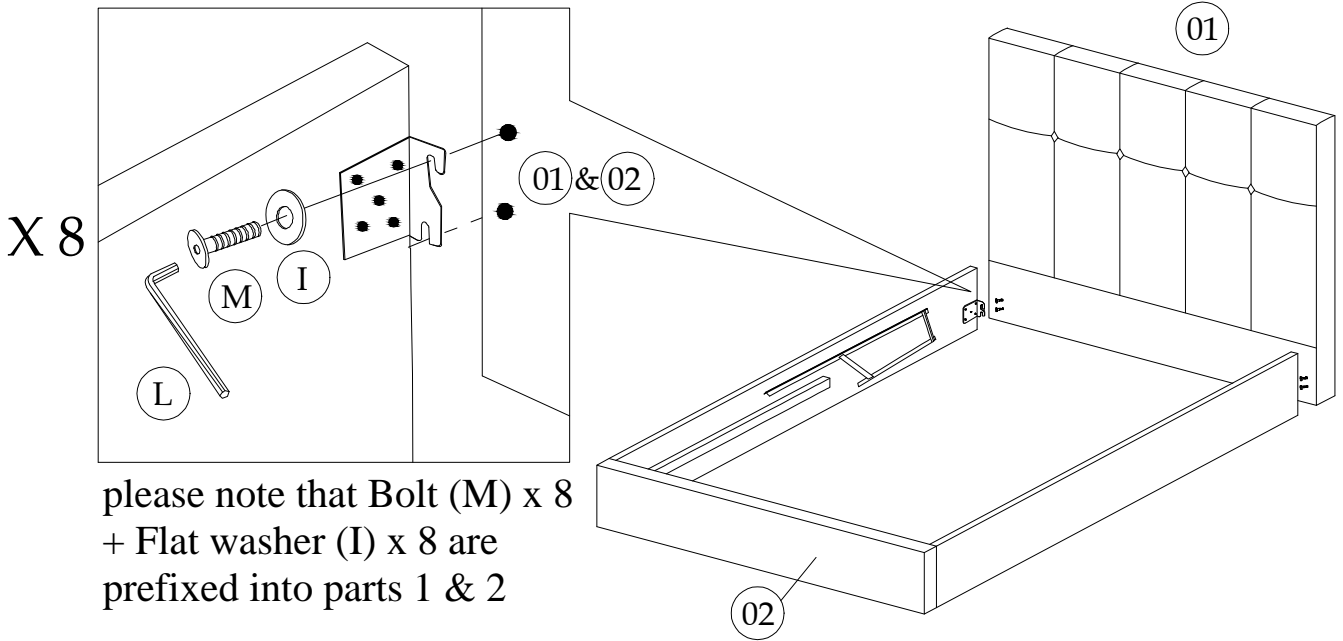
2



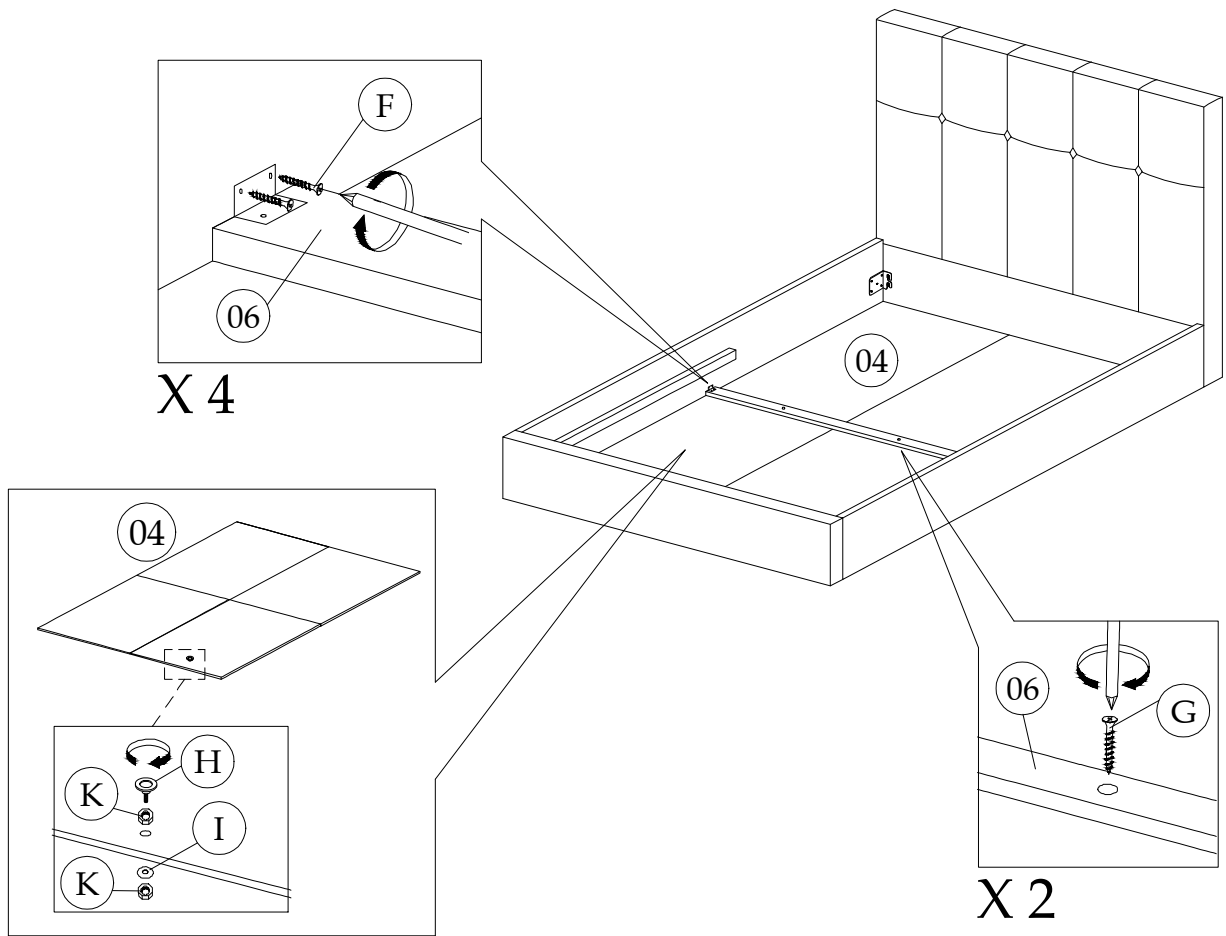
X 4



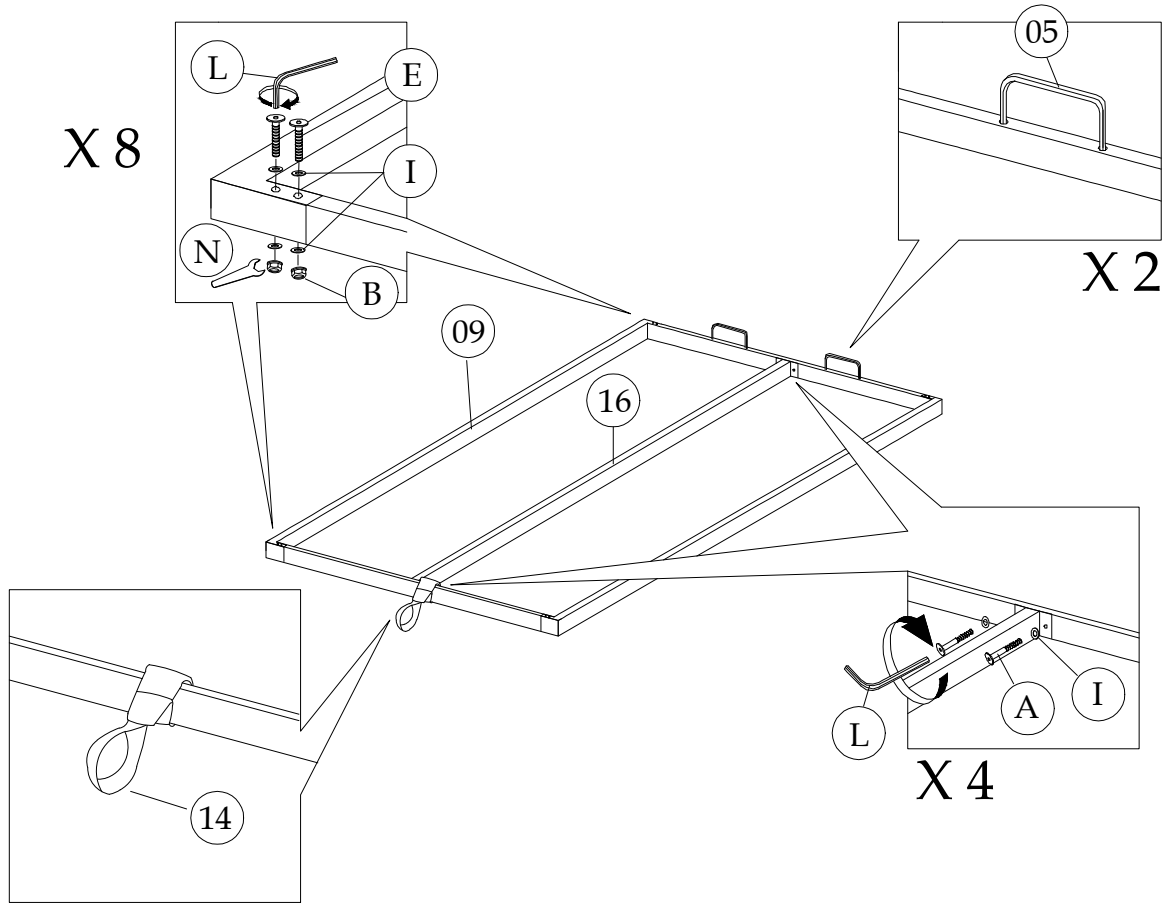
3



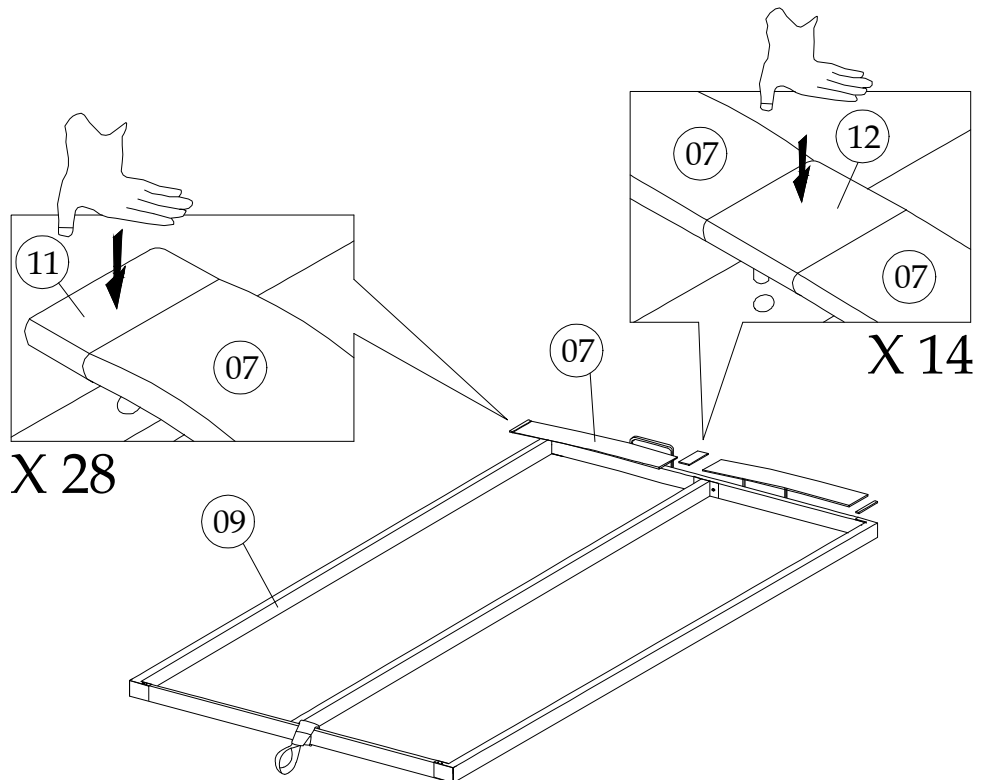
4



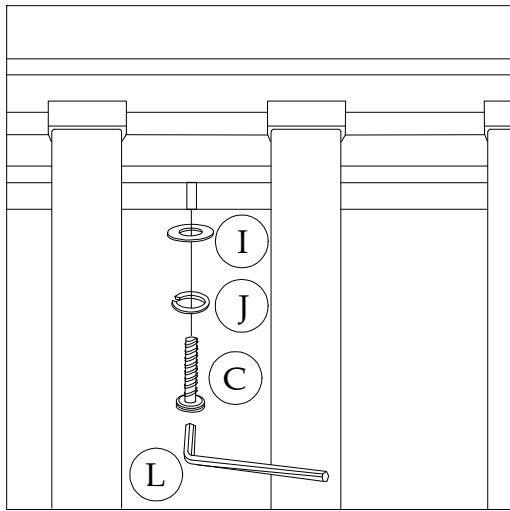
5



6

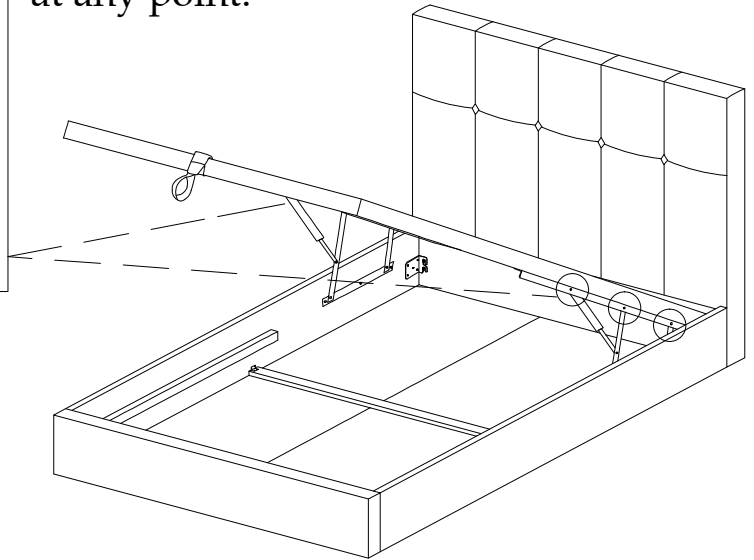


7

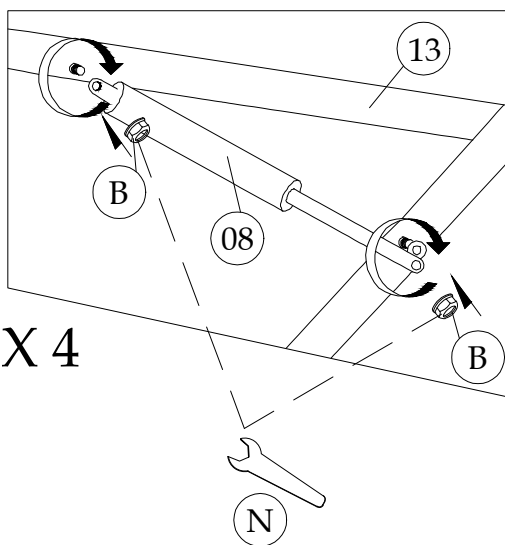


X 6

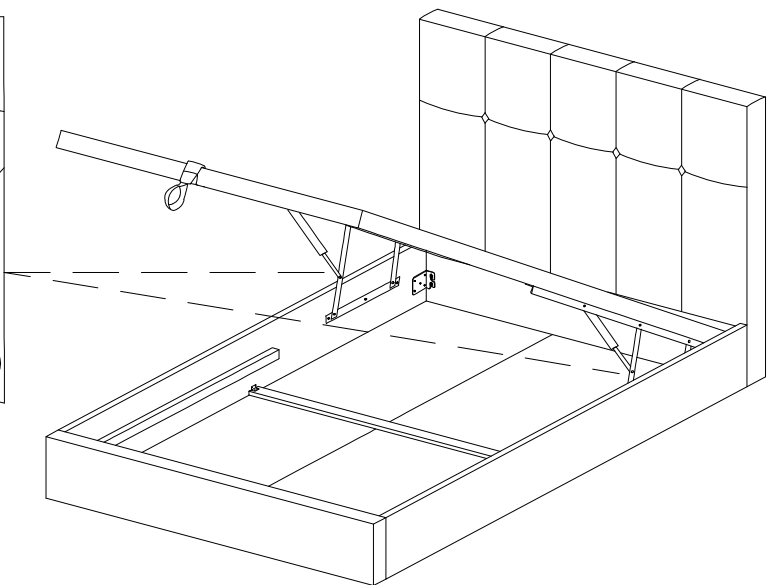
Check that the frame is central by adjusting the alignment of the frame and brackets before fully tightening all bolts. The metal frame should not contact the faux leather at any point.



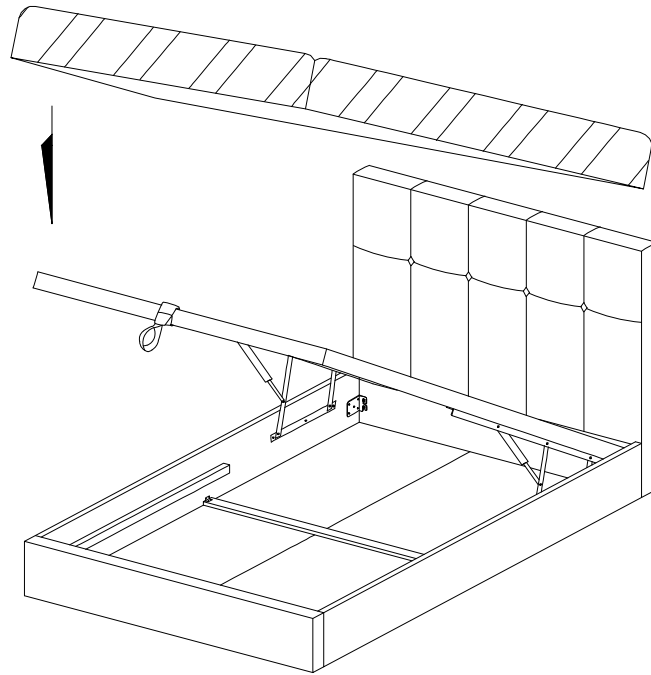
8



X 4



9

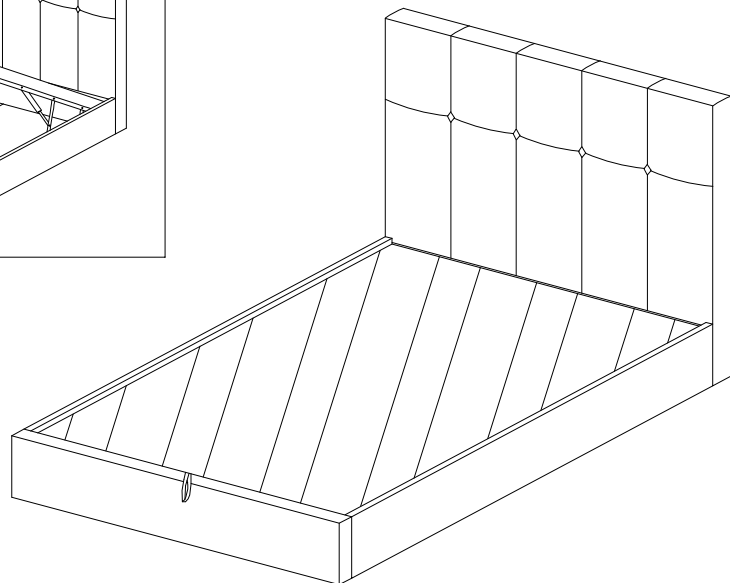
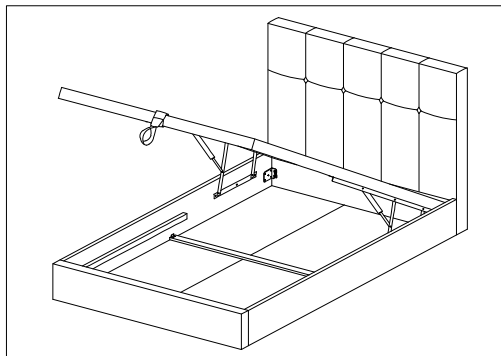


Attention :

Place the mattress onto the frame BEFORE closing or this could result in damage to the bed.

(MATTRESS NOT INCLUDED)

10



Note:

It is imperative that the bed is aligned squarely to prevent the frame from catching on and damaging the upholstered side rails.

Please use extra caution when opening and closing the bed for the first few times.

Ensure a similar spacing on each side of the frame.

General Care

Wipe clean with a slightly damp soft cloth.

Avoid the use of all household cleaners and abrasives.

When moving your furniture, carefully lift into place.

Never drag or push the pieces across the floor as this will cause damage to the joints and could result in failure to the product that will invalidate the warranty.

Recommendations

Periodical re-tightening of fixings.

Warning

This unit is heavy. Please use an assistant when lifting.

Notes

We've tried to make this piece of furniture as easy to assemble as possible.

In the unlikely event that you have problems putting it together or have damaged or missing pieces, please contact our customer services on 01623 727374

Julian Bowen Limited

Bentinck House, Park Lane Business Park, Kirkby-in-Ashfield, Notts, NG17

9LE

www.julian-bowen.co.uk