



Birlea

Suppliers of inspiration

Assembly Instructions

Thank you for
purchasing a
Birlea product.

For a chance to win a Love 2 Shop voucher simply post a picture of your new product on your preferred social channels tagging Birlea Furniture and using the hashtag **#ShareYourStyle** and **#Birlea**. One winner will be selected at random each month.

To view our full terms and conditions please visit www.birlea.com

Are you happy with your purchase?

Yes: That's great, we would love to hear more from you. Please leave us a review on our social media channels or Trustpilot. Your feedback will be greatly appreciated.

No: If for any reason there is something missing, indifferent or incorrect with your order, please contact the retailer you purchased the item from. We will work with the retailer to resolve your issue as quickly as possible.



HEMLOCK - Small Double / Double

Assembly Instructions

Before you begin...

1. Please check in your desired room of use.
2. Unpack all boxes and lay out each component on the floor.
3. Check your product for any damage that may be immediately obvious. If damage is identified, please contact your retailer.
4. Please read through these instructions thoroughly to ensure you have constructed your bed correctly.

For Care and Maintenance of your bed...

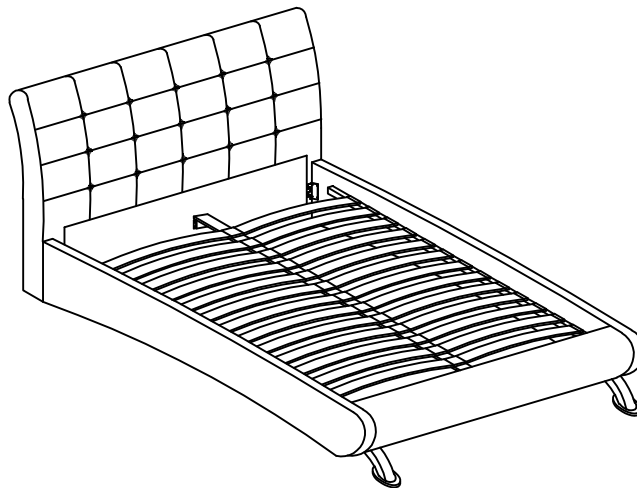
- Always assemble in your desired room of use.
- Always check all screw and fixings periodically to ensure they are still secure.
- Do not push or pull this bed as it will cause damage.
- Always lift this bed with a second person to prevent damage or injury.
- Keep any sharp objects away from this bed frame.

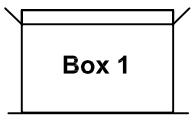
For your Health and Safety...

- Please don't not jump on this bed.
- Do not use this bed if you find missing, damaged or worn parts. Please contact your retailer.
- Please do not use this bed until you have fully secure all fixings.
- Please keep all small components away from children.
- Please ensure this bed is on an even, level surface.

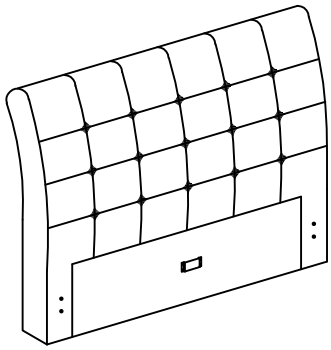
Also...

If your desired room of choice has a non-carpeted surface ensure please that you use some form of protection and **do not** place directly on the wooden floor. This will prevent the bed from moving and therefore collapsing which will void your guarantee...

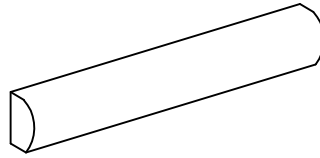




Box 1



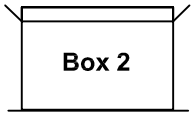
1. Headboard (x1)



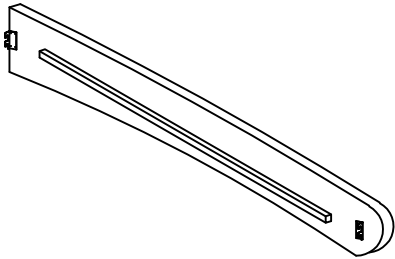
2. Footboard (x1)



5. Slats (x26)



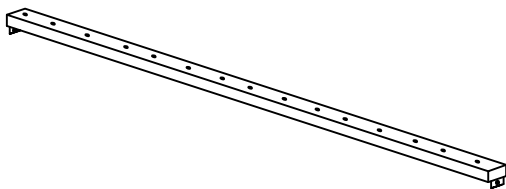
Box 2



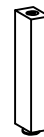
3. Siderail (x2)



4. Legs (x2)



6. Centre Rail (x1)

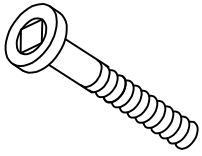


7. Support Legs (x2)

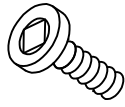


Hardware

All fitting are stored within Box 2



A.M6 x 40 mm JCBC (x2)



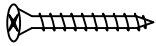
B.M8 x 20 mm JCBB (x8)



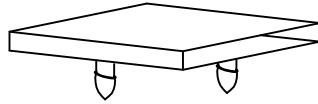
C.Allen Key M4 x 65 mm (x1)



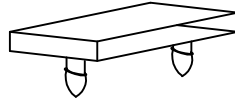
D.Allen Key M5 x 70 mm (x1)



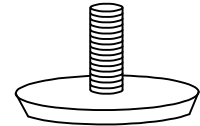
E.M4 x 25 mm CSK (x12)



F.Double Slat Cap (x13)



G.Single Slat Cap (x26)

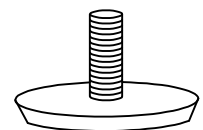
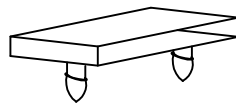
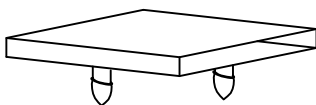
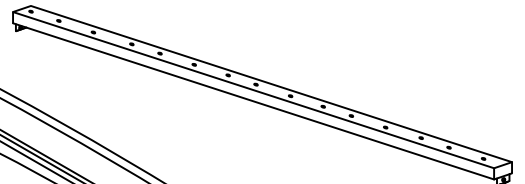
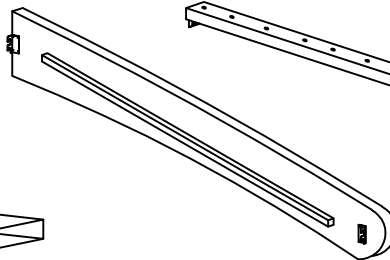
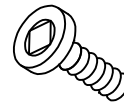
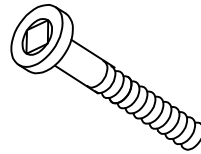
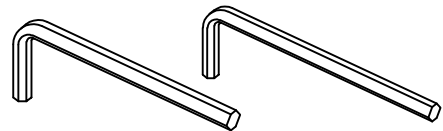
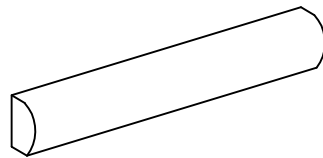
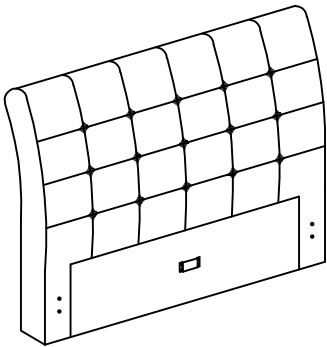


H.Adjuster (x2)

***You will need a screwdriver (not provided)**

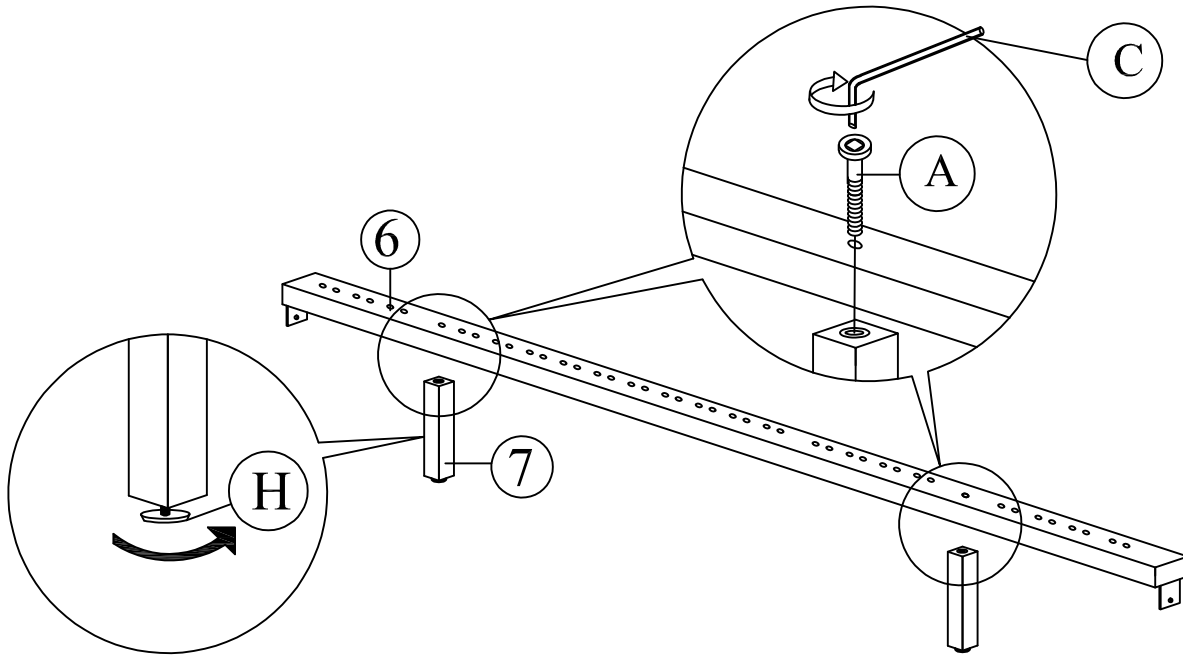
Step 1

Unpack all components from the boxes and check you are not missing anything. Please check these against the list on page 3 & 4 Should you identify any missing components, please contact the retailer you purchased the bed from.



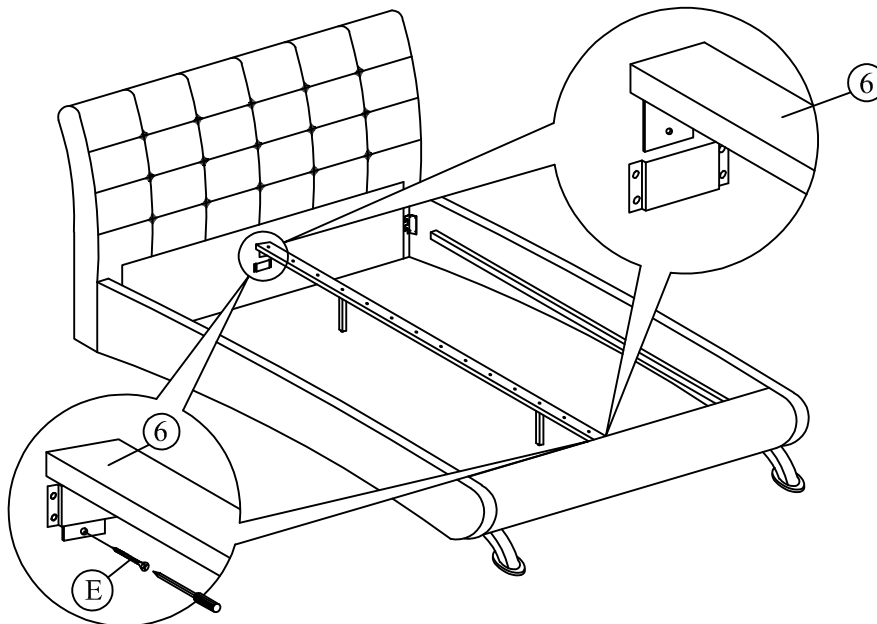
Step 4

Attach the 2x Support Leg (7) to 1x Centre Rail (6) using 2x M6x40mm JCBC (A) and 1x M4 Allen Key (C). Then screw 2x Adjuster (H) to Support Leg (7).



Step 5

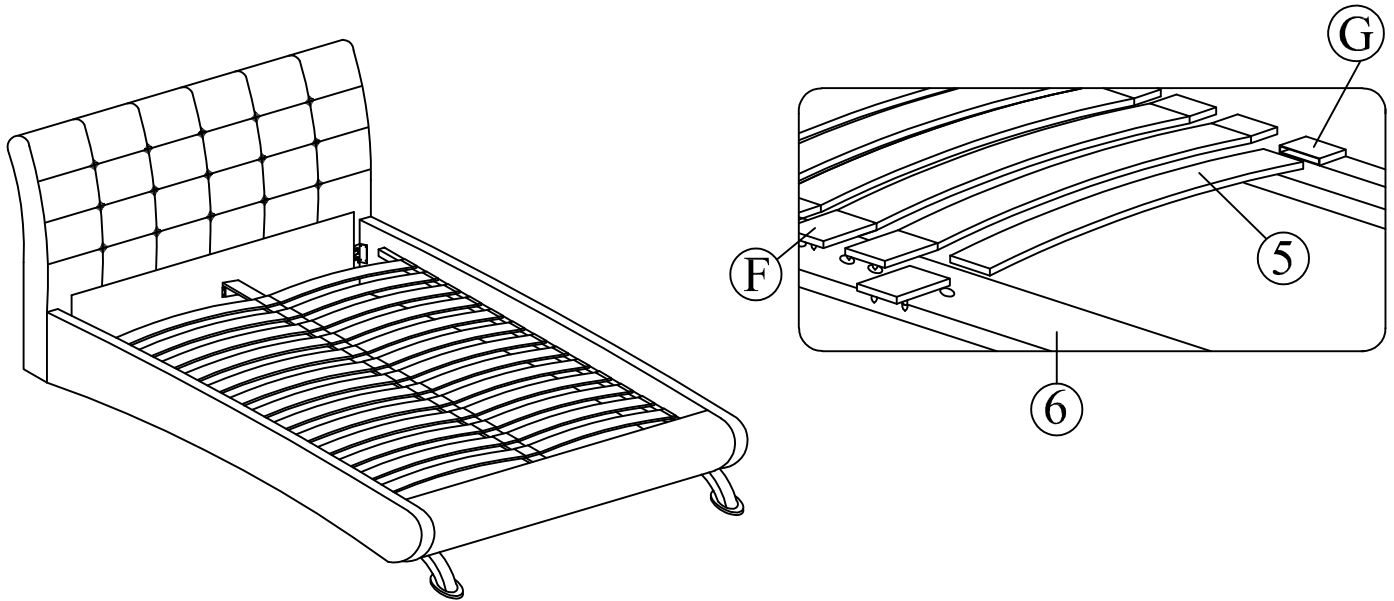
Firstly, Slot the 1x centre rail (6) into the bracket on 1x Headboard (1) and 1x Footboard (2). Then secure using 2x M4x25mm CSK (E) and Screwdriver (Not Provided).



DO NOT use any power tools as this may damage the frame and will invalidate any claim.

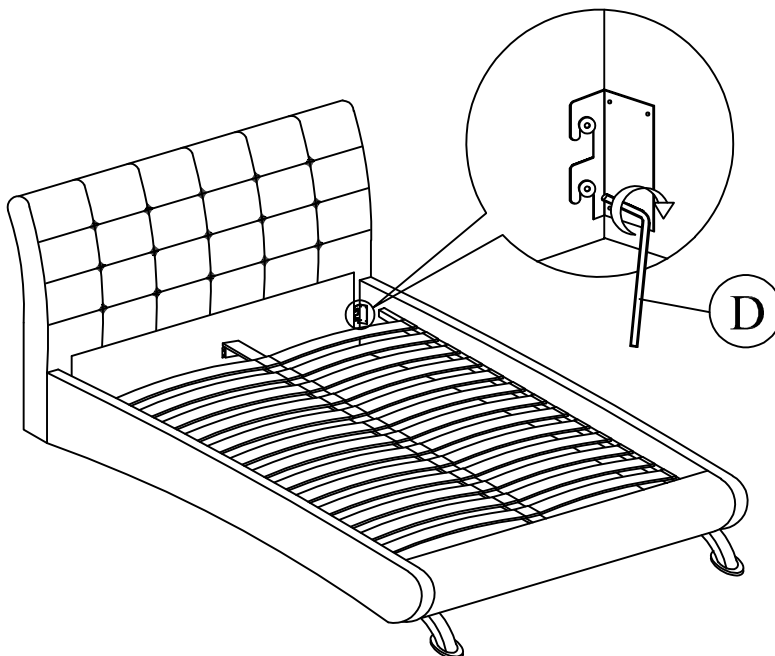
Step 6

Slot the 26x slats (5) into the 13x middle slat caps (F) and then into the 26x End slat cap (G). Press firmly into the holes located on the 2x side rails (3) and 1x centre rail (6).



Step 7

Secure 2x Side Rail (3) to 1x Headboard (1) and 1x Footboard (2) using the 1x M4 Allen Key (D).



DO NOT use any power tools as this may damage the frame and will invalidate any claim.