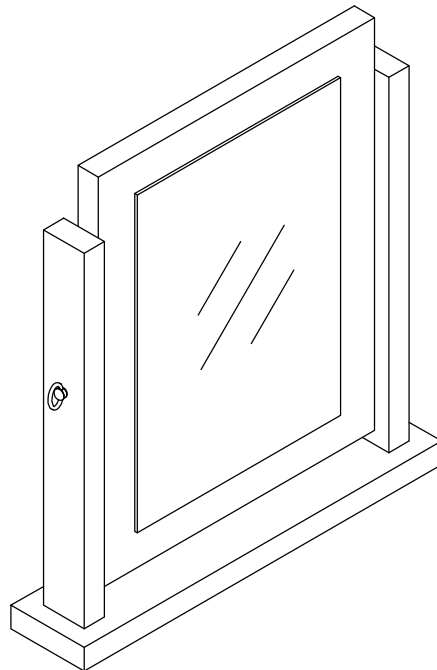
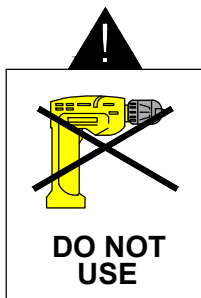


# LIGHT OAK EFFECT VENEER LISBON DRESSING TABLE MIRROR ASSEMBLY INSTRUCTIONS



## IMPORTANT

### PLEASE READ BEFORE YOU CONTINUE FURTHER FOR DOMESTIC USE ONLY

THE PRODUCT YOU HAVE PURCHASED WILL GIVE YOU MANY YEARS OF SERVICE IF YOU FOLLOW THE GUIDELINES FOR ITS SAFE ASSEMBLY AND PERIODIC MAINTENANCE AND CLEANING.

ASSEMBLE ON A SOFT CLEAN SURFACE.

DO NOT USE ANY TOOLS OTHER THAN THOSE SHOWN.

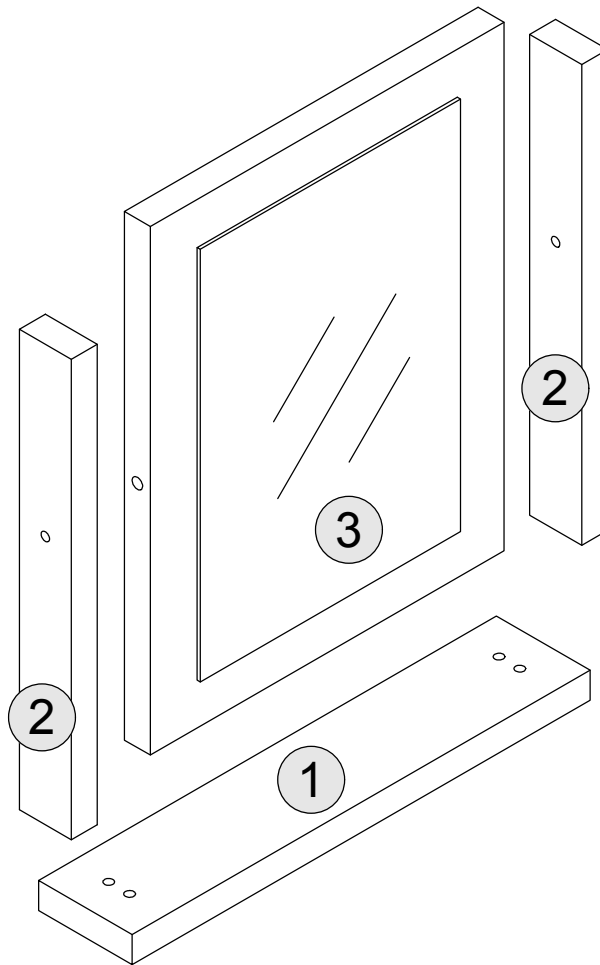
ANY SPANNERS OR ALLEN KEYS REQUIRED ARE INCLUDED WITH THE FITTINGS KIT.

DO NOT FOR ANY REASON USE A POWER TOOL TO ASSEMBLE THIS PRODUCT. ITS USE WILL INVALIDATE ANY CLAIM YOU MAY HAVE AND COULD MAKE THIS PRODUCT UNSAFE.

DEPENDING ON THE AMOUNT OF USE THIS PRODUCT RECEIVES IT MAY BE NECESSARY TO TIGHTEN UP THE FIXINGS FROM TIME TO TIME. THIS IS COMPLETELY NORMAL FOR ANY FLAT PACK FURNITURE. DO NOT OVERTIGHTEN FIXING.

FOR CLEANING, YOU MAY USE A DAMP CLOTH (NOT WET) DO NOT USE POLISH, DETERGENT OR CHEMICAL CLEANERS.

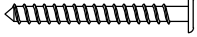


THE SURFACE OF THIS ITEM IS NOT HEAT RESISTANT. ALWAYS USE A PLACE MAT UNDER HOT OR COLD ITEMS TO PREVENT MARKING.



## PART LIST

<u>Part Number</u>	<u>Part Code</u>	<u>Part Description</u>	<u>Quantity</u>	<u>Carton</u>
1	S600-603-013-EU1-01	Bottom Panel	1	1/1
2	S600-603-013-EU1-02	Side Panel	2	1/1
3	S600-603-013-EU1-03	Mirror Panel	1	1/1

## HARDWARE LIST

A		BOLT M7x60MM	4 PCS
B		SCREW	2 PCS
C		ALLEN KEY	1 PC

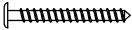
## STEP 1

### PARTS REQUIRED

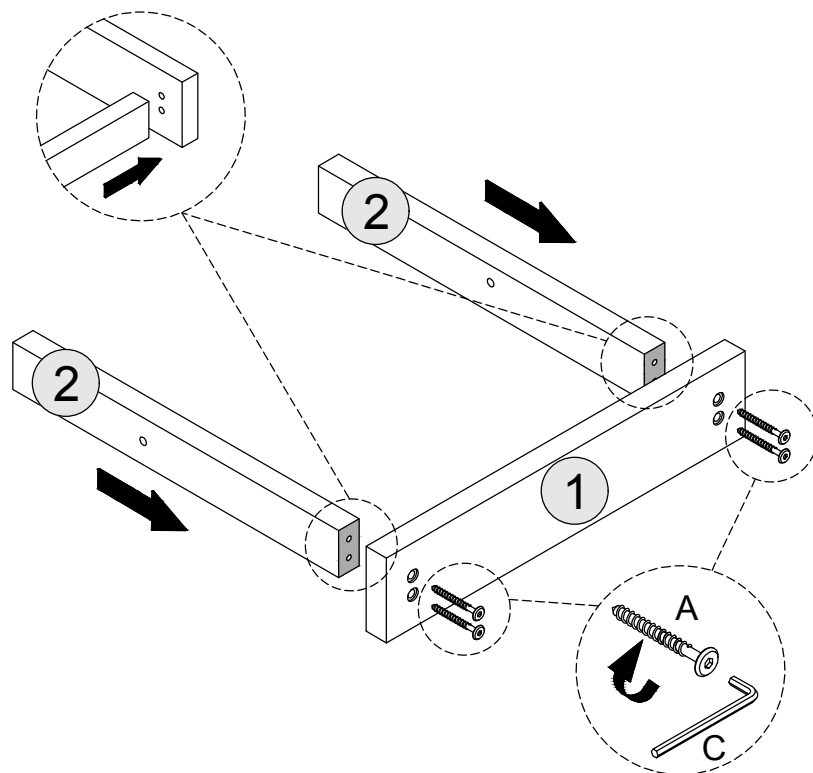
1 - BOTTOM PANEL	x1
------------------	----

2 - SIDE PANEL	x2
----------------	----

### HARDWARE REQUIRED

A		04
---	---	----

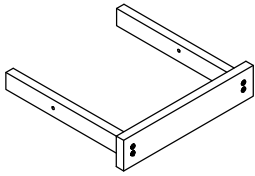
### TOOLS REQUIRED



## STEP 2

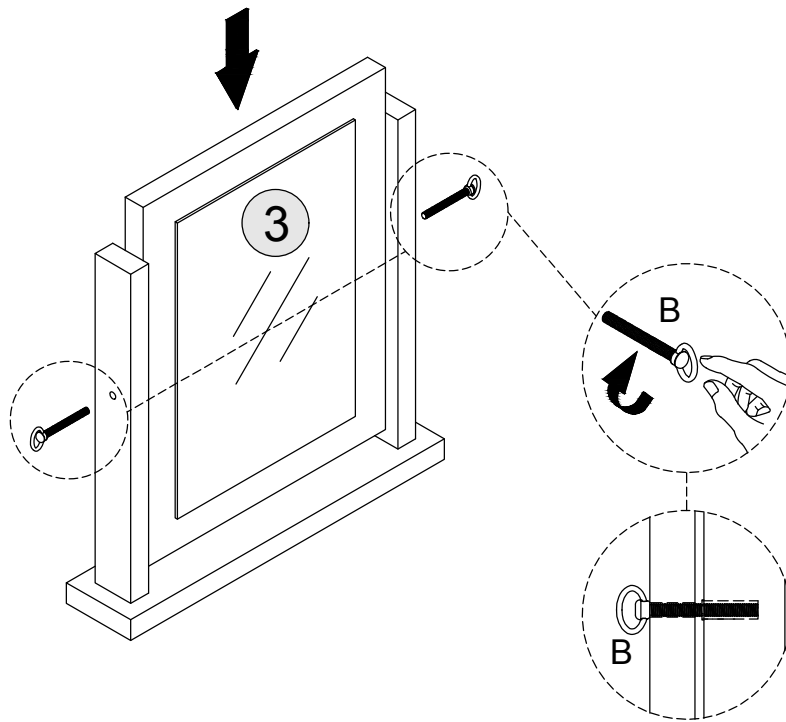
**PARTS REQUIRED**

3 - MIRROR PANEL x1



**HARDWARE REQUIRED**

B 02



## STEP 3

