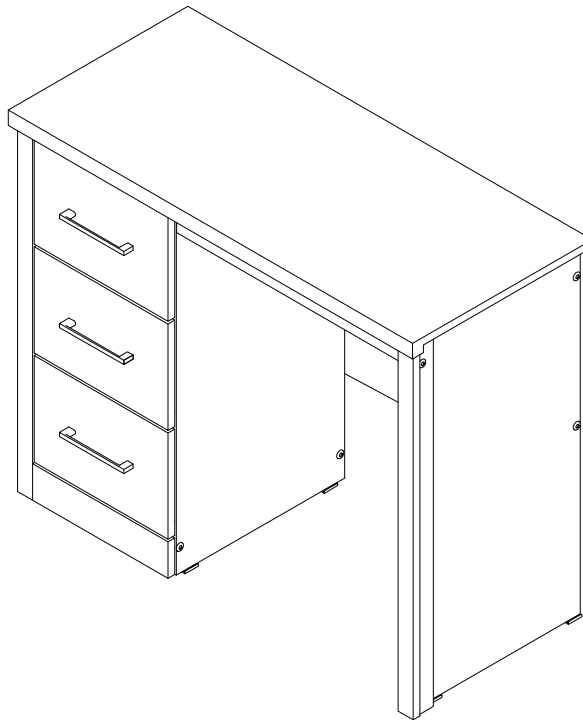
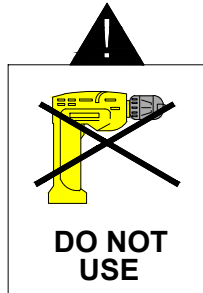


LIGHT OAK EFFECT VENEER LISBON 3 DRAWER DRESSING TABLE ASSEMBLY INSTRUCTIONS



**IMPORTANT
FOR DOMESTIC USE ONLY
PLEASE READ BEFORE YOU CONTINUE FURTHER**

THE PRODUCT YOU HAVE PURCHASED WILL GIVE YOU MANY YEARS OF SERVICE IF YOU FOLLOW THE GUIDELINES FOR ITS SAFE ASSEMBLY AND PERIODIC MAINTENANCE AND CLEANING.

ASSEMBLE ON A SOFT CLEAN SURFACE.

DO NOT USE ANY TOOLS OTHER THAN THOSE SHOWN.

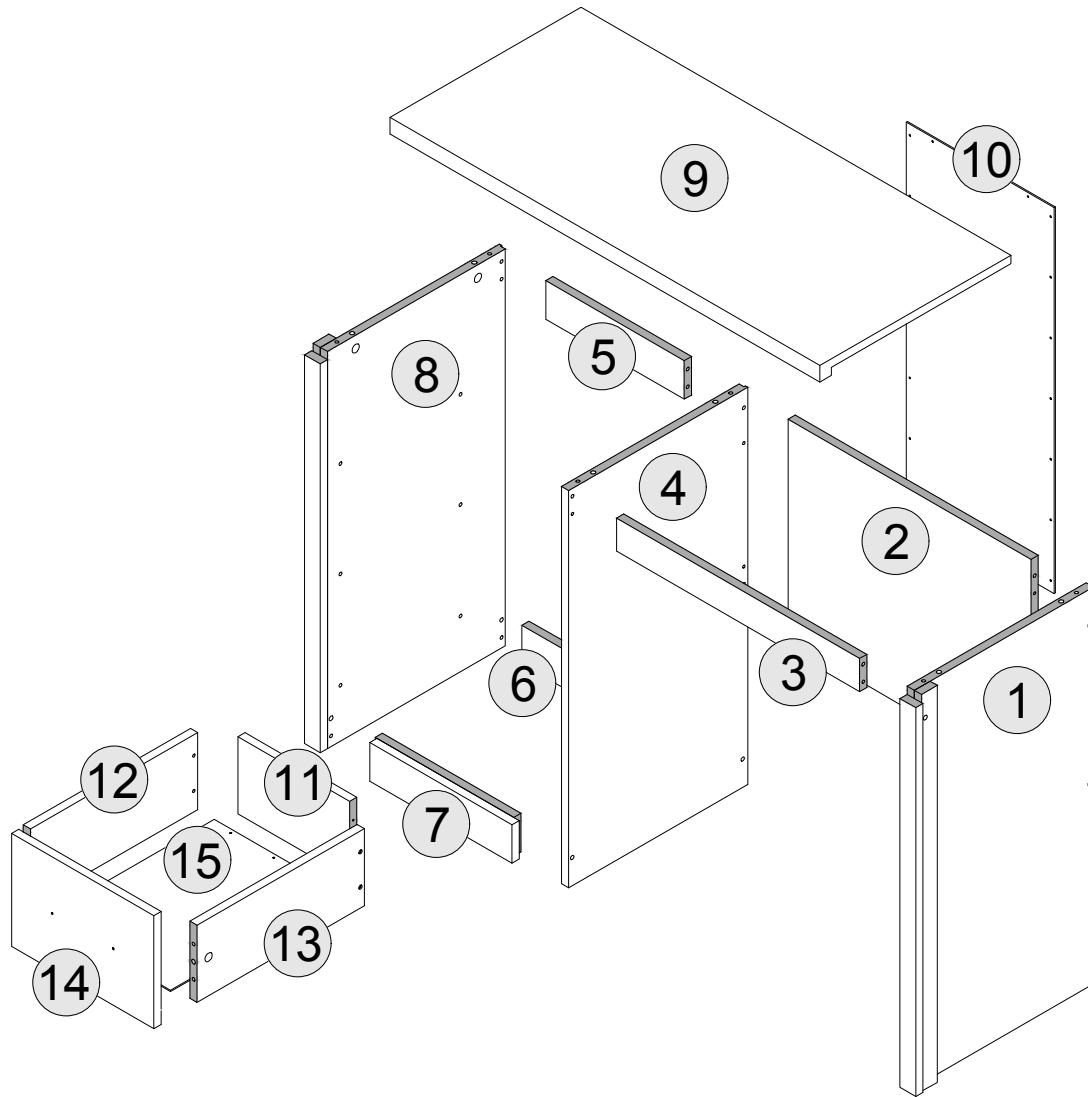
ANY SPANNERS OR ALLEN KEYS REQUIRED ARE INCLUDED WITH THE FITTINGS KIT.

DO NOT FOR ANY REASON USE A POWER TOOL TO ASSEMBLE THIS PRODUCT. ITS USE WILL INVALIDATE ANY CLAIM YOU MAY HAVE AND COULD MAKE THIS PRODUCT UNSAFE.

DEPENDING ON THE AMOUNT OF USE THIS PRODUCT RECEIVES IT MAY BE NECESSARY TO TIGHTEN UP THE FIXINGS FROM TIME TO TIME. THIS IS COMPLETELY NORMAL FOR ANY FLAT PACK FURNITURE. DO NOT OVERTIGHTEN FIXING.

FOR CLEANING, YOU MAY USE A DAMP CLOTH (NOT WET) DO NOT USE POLISH, DÉTERGENT OR CHEMICAL CLEANERS.


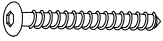
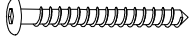
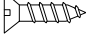
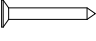
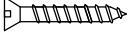

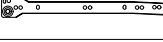
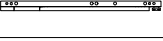




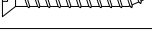
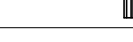

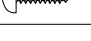
THE SURFACE OF THIS ITEM IS NOT HEAT RESISTANT. ALWAYS USE A PLACE MAT UNDER HOT OR COLD ITEMS TO PREVENT MARKING.

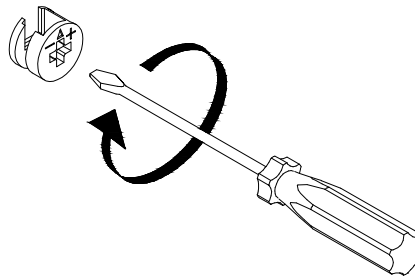


PART LIST

Part Number	Part Code	Part Description	Quantity	Carton
1	S100-107-012-EU1-01D	Right Side Panel	1	1/2
2	S100-107-012-EU1-02D	Support Panel	1	1/2
3	S100-107-012-EU1-03D	Top Front Crossbar	1	1/2
4	S100-107-012-EU1-04D	Centre Panel	1	1/2
5	S100-107-012-EU1-05D	Top Back Crossbar	1	1/2
6	S100-107-012-EU1-06D	Bottom Back Crossbar	1	1/2
7	S100-107-012-EU1-07D	Bottom Front Crossbar	1	1/2
8	S100-107-012-EU1-08D	Left Side Panel	1	1/2
9	S100-107-012-EU1-09D	Top Panel	1	1/2
10	S100-107-012-EU1-010D	Left Back Panel	1	1/2
11	S100-107-012-EU1-011D	Drawer Back	3	1/2
12	S100-107-012-EU1-012D	Drawer Side - Left	3	1/2
13	S100-107-012-EU1-013D	Drawer Side - Right	3	1/2
14	S100-107-012-EU1-014D	Drawer Front	3	1/2
15	S100-107-012-EU1-015D	Drawer Base	3	1/2

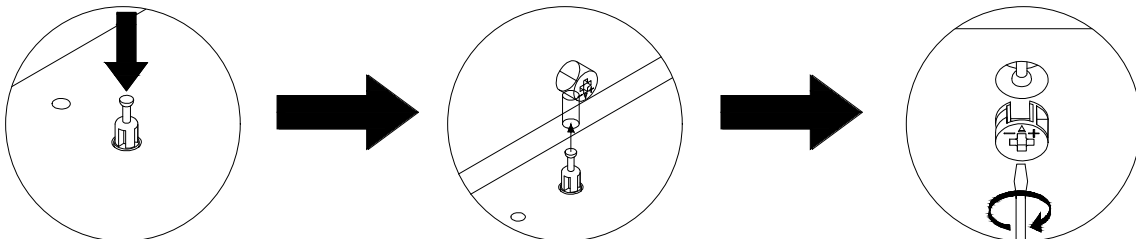
HARDWARE LIST

A		DOWEL 6 X 30MM	32 PCS
B		BOLT M6 X 50MM	5 PCS
C		BOLT M7 X 60MM	2 PCS
D		SCREW M3.5 X 16MM	24 PCS
E		TACK	23 PCS
F		SCREW M4 X 38MM	12 PCS
G		HANDLE	3 PCS
H		DRAWER RUNNER A - L/R	6 PCS
I		DRAWER RUNNER B - L/R	6 PCS
J		HANDLE SCREW 19MM	6 PCS
K		SCREW M3.5 X 12MM	30 PCS
L		CAM BOLT + CAM NUT	12 SETS
M		PLASTIC FOOT	6 PCS
N		SCREW M4 X 50MM	3 PCS
O		ALLEN KEY	1 PC
P		ANTI - TIP STRAP	2 PCS
Q		SCREW M4 X 16MM	2 PCS



(SCREWDRIVER NOT PROVIDED)

USE A FLAT HEAD SCREWDRIVER TO TIGHTEN THE CAM NUTS. A QUARTER TURN CLOCKWISE IS ALL THAT IS NEEDED.



STEP 1 - PUSH CAM BOLT INTO INSERT

STEP 2 - ALIGN THE CAM BOLT WITH THE HOLE AND PUSH TOGETHER UNTIL FLUSH. (MAKE SURE THE ARROW OF THE CAM LOCK IS POINTING TOWARD ON THE EDGE OF THE PANEL.)


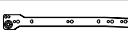
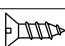

STEP 3 - THE HEAD OF THE BOLT GOES INTO THE WIDE MOUTH OF THE CAM LOCK. YOU THEN TURN THE LOCK SO THE NARROW PART CLOSES OVER THE BOLT.

STEP 1

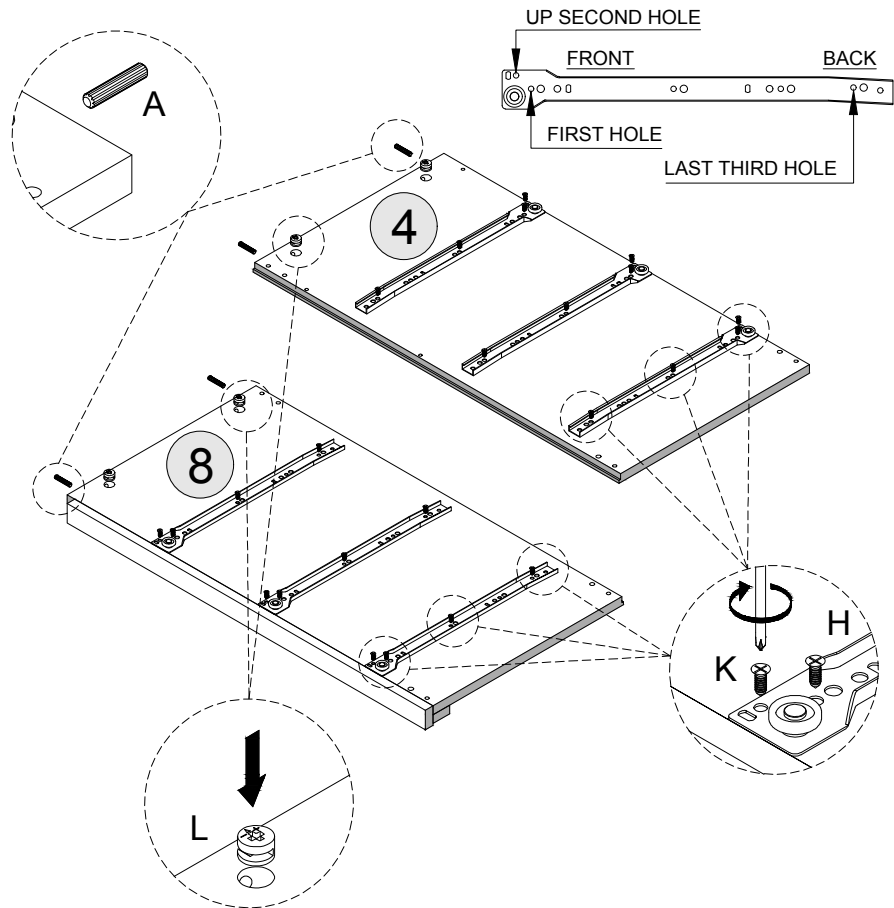
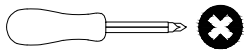
PARTS REQUIRED

4 - CENTRE PANEL	x1
8 - LEFT SIDE PANEL	x1

HARDWARE REQUIRED

A		04
H		06
K		24
L		04

TOOLS REQUIRED



STEP 2

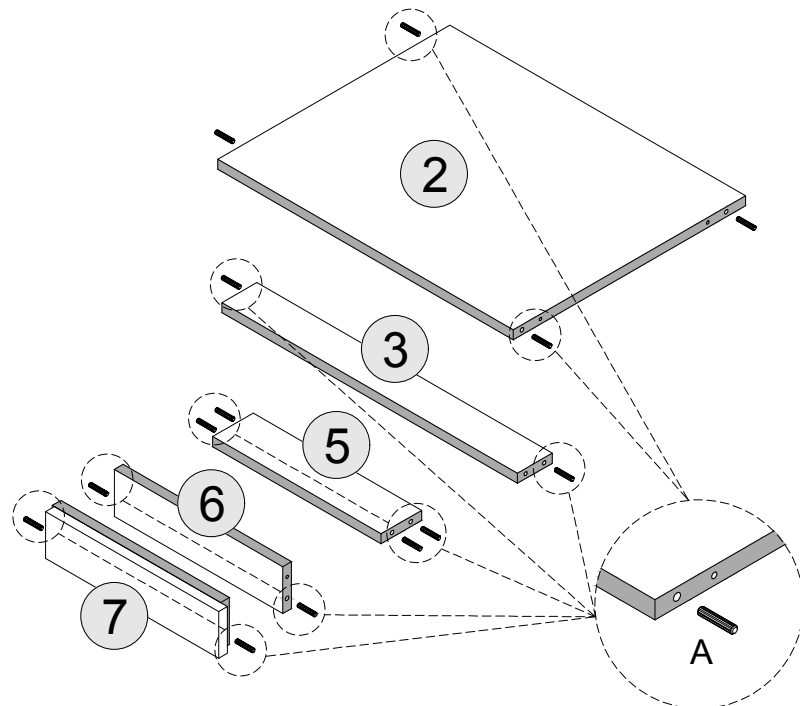
PARTS REQUIRED

2 - SUPPORT PANEL	x1
3 - TOP FRONT CROSSBAR	x1
5 - TOP BACK CROSSBAR	x1
6 - BOTTOM BACK CROSSBAR	x1
7 - BOTTOM FRONT CROSSBAR	x1

HARDWARE REQUIRED

A		14
---	---	----

TOOLS REQUIRED



STEP 3

PARTS REQUIRED

1 - RIGHT SIDE PANEL x1

9 - TOP PANEL x1

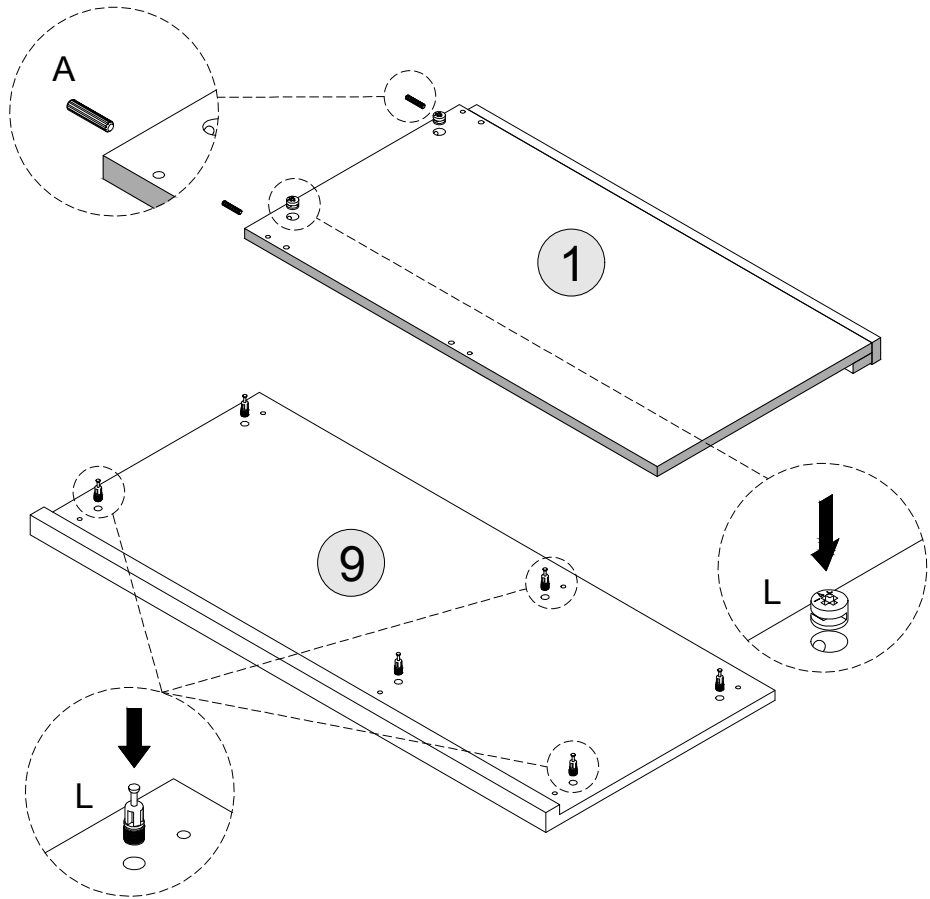
HARDWARE REQUIRED

A  02

L  06

L  02

TOOLS REQUIRED



STEP 4

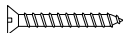
PARTS REQUIRED

2 - SUPPORT PANEL x1

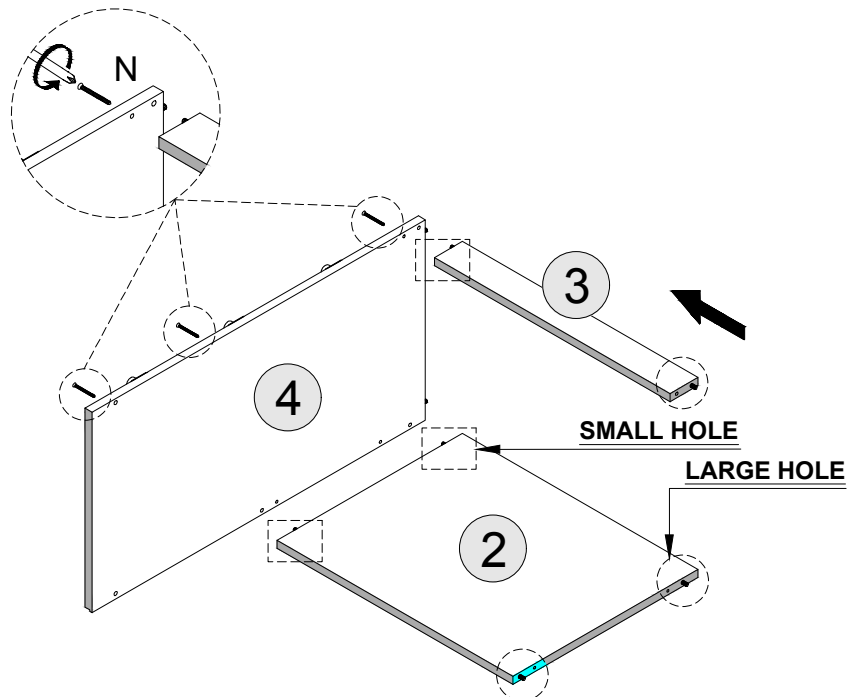
3 - TOP FRONT CROSSBAR x1

4 - CENTRE PANEL x1

HARDWARE REQUIRED

N  03

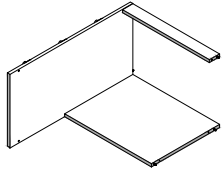
TOOLS REQUIRED



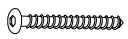
STEP 5

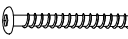
PARTS REQUIRED

1 - RIGHT SIDE PANEL x1

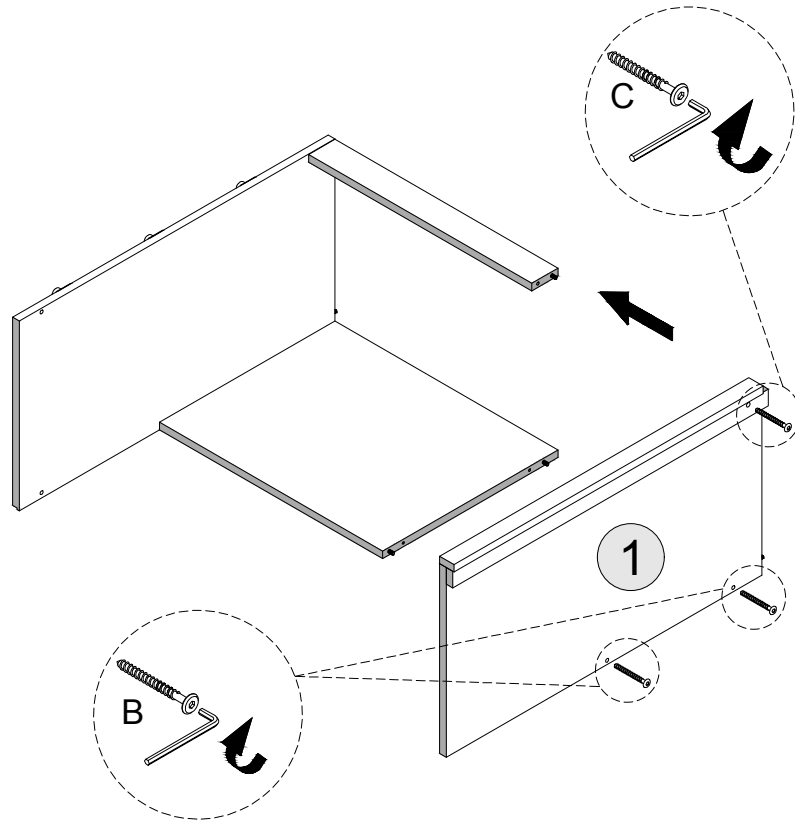


HARDWARE REQUIRED

B  02

C  01

TOOLS REQUIRED



STEP 6

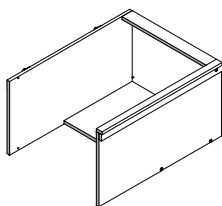
PARTS REQUIRED

5 - TOP BACK CROSSBAR x1

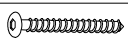
6 - BOTTOM BACK CROSSBAR x1

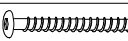
7 - BOTTOM FRONT CROSSBAR x1

8 - LEFT SIDE PANEL x1

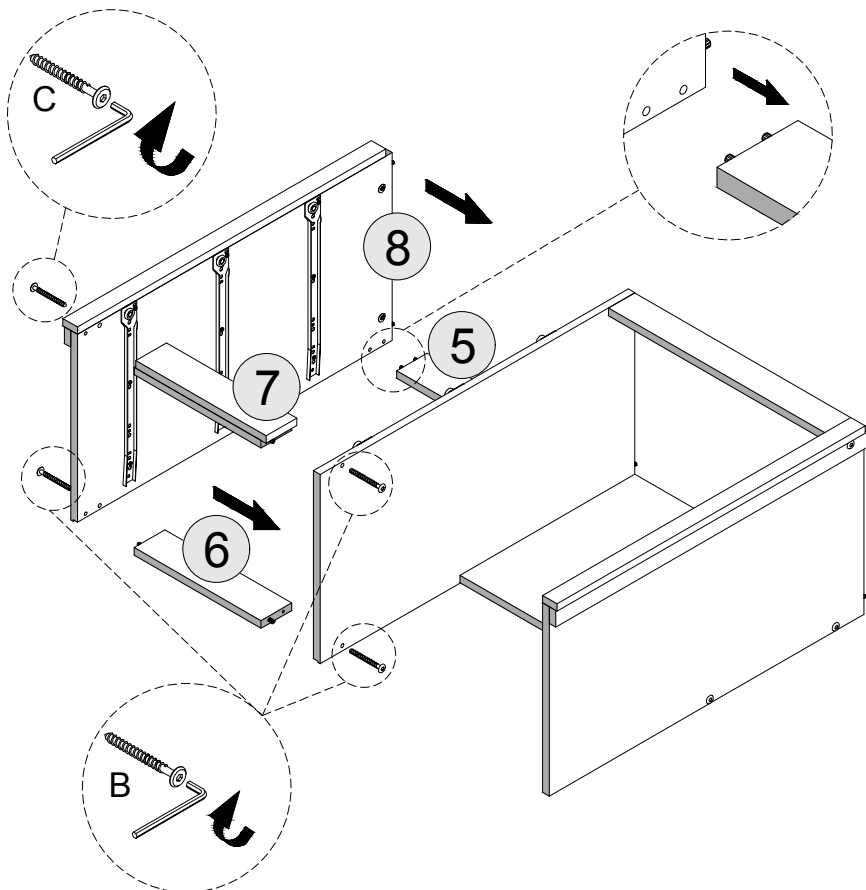


HARDWARE REQUIRED

B  03

C  01

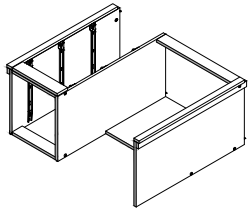
TOOLS REQUIRED



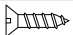
STEP 7

PARTS REQUIRED

9 - TOP PANEL x1

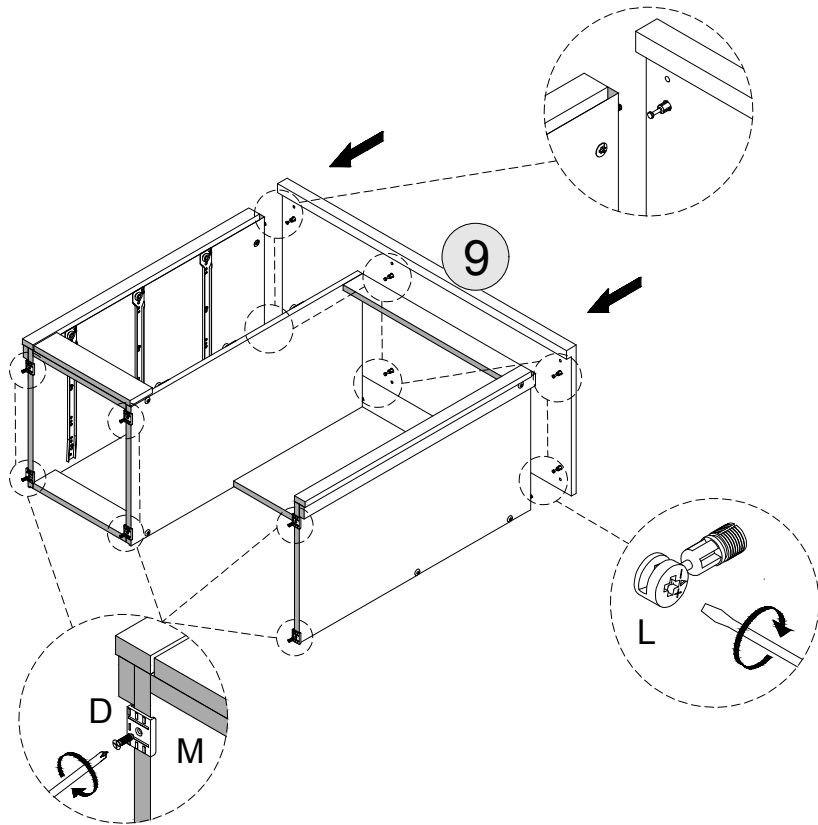
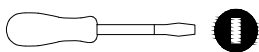
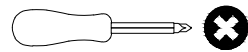


HARDWARE REQUIRED

D  06

M  06

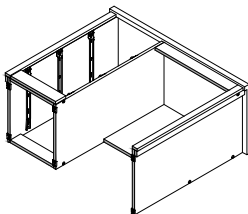
TOOLS REQUIRED



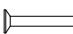
STEP 8

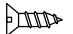
PARTS REQUIRED

10 - LEFT BACK PANEL x1

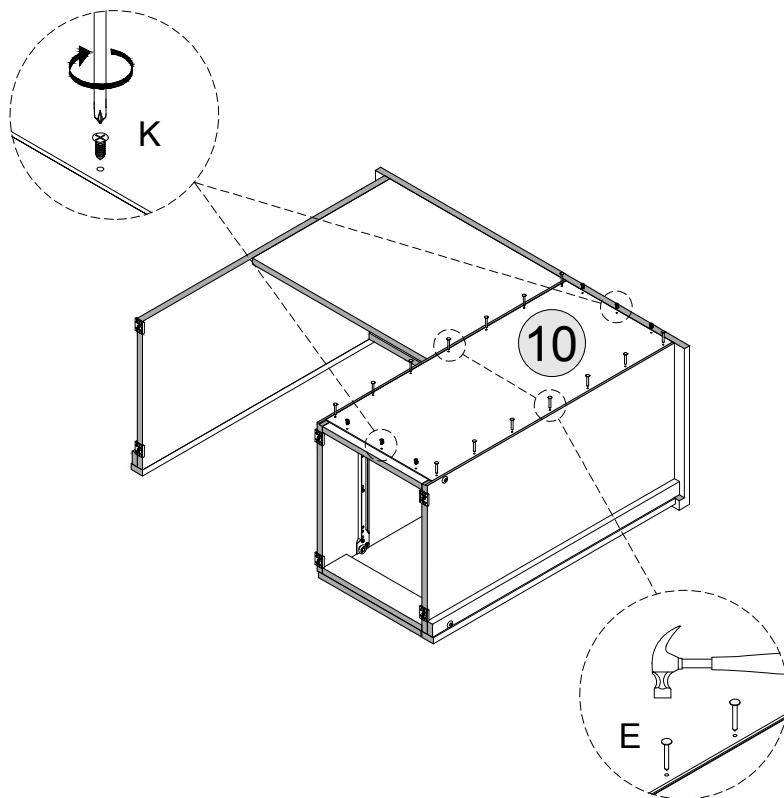
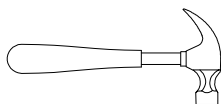
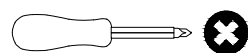


HARDWARE REQUIRED

E  14

K  06

TOOLS REQUIRED



STEP 9

PARTS REQUIRED

11 - DRAWER BACK x3

12 - DRAWER SIDE - LEFT x3

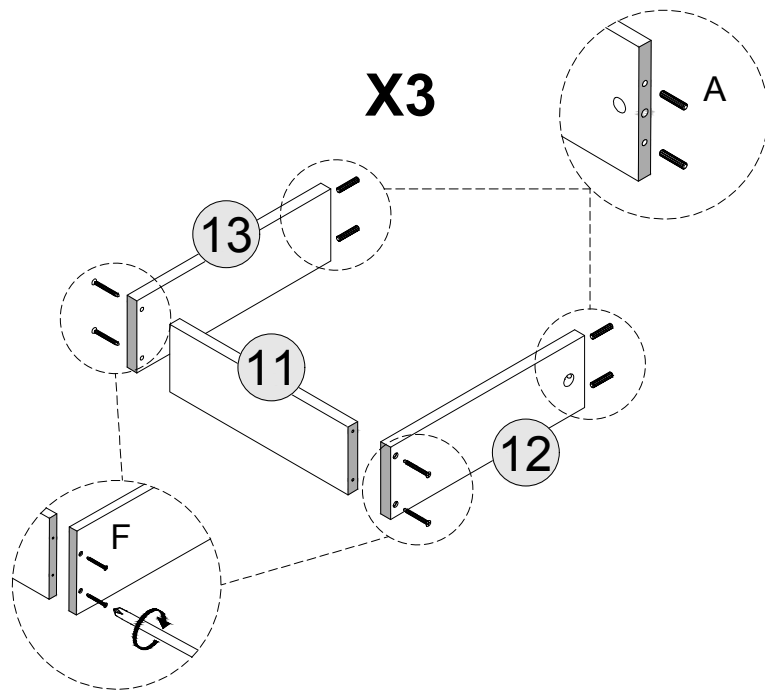
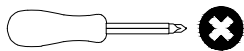
13 - DRAWER SIDE - RIGHT x3

HARDWARE REQUIRED

A  12

F  12

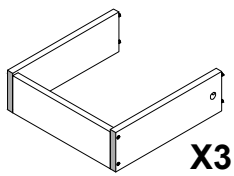
TOOLS REQUIRED



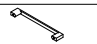
STEP 10

PARTS REQUIRED

14 - DRAWER FRONT x3



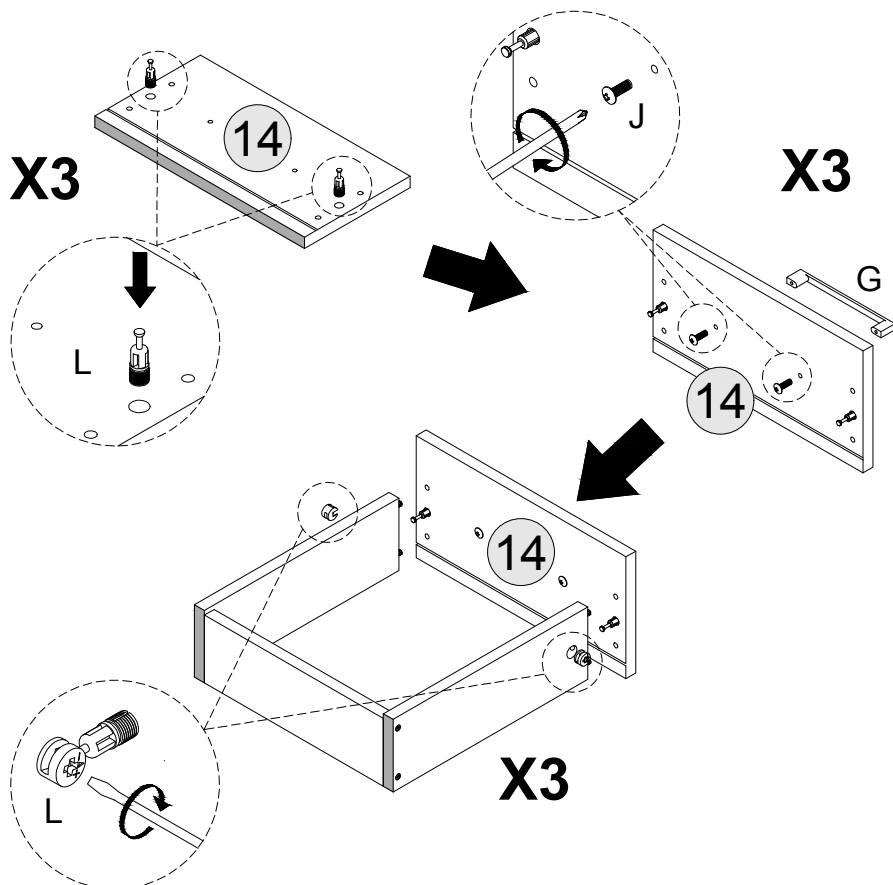
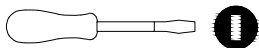
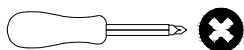
HARDWARE REQUIRED

G  03

J  06

L  06

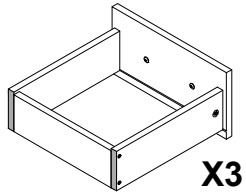
TOOLS REQUIRED



STEP 11

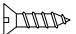
PARTS REQUIRED

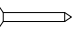
15 - DRAWER BASE x3

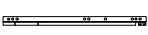


X3

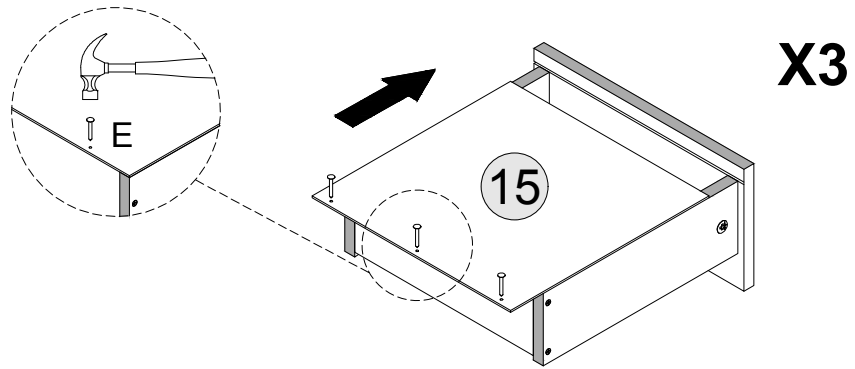
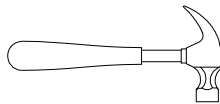
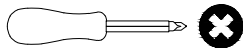
HARDWARE REQUIRED

D  18

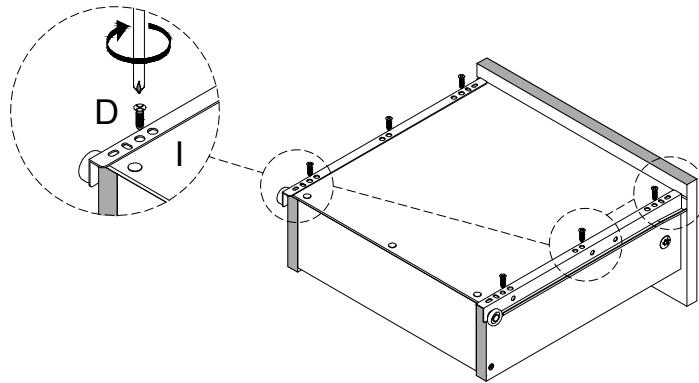
E  09

I  06

TOOLS REQUIRED



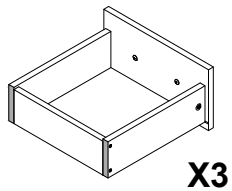
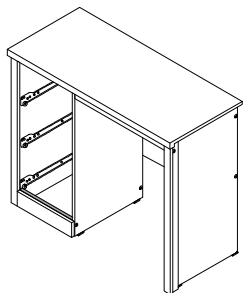
X3



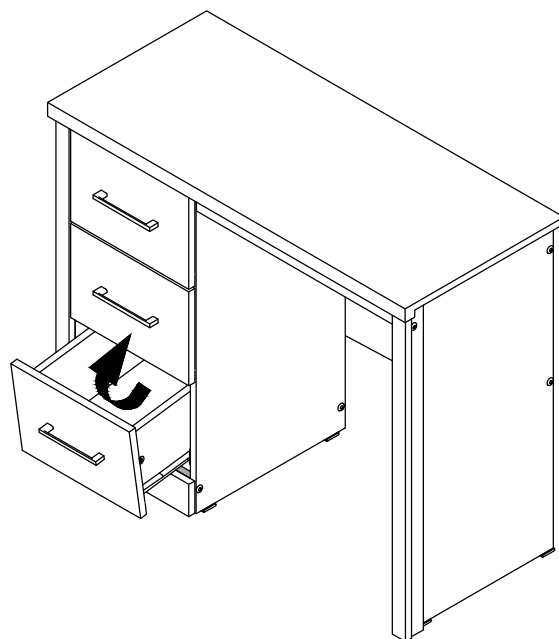
X3

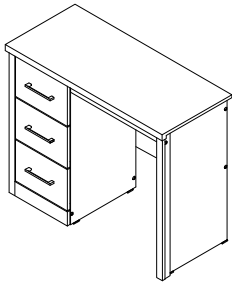
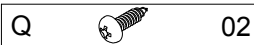
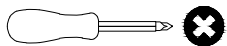
STEP 12

PARTS REQUIRED



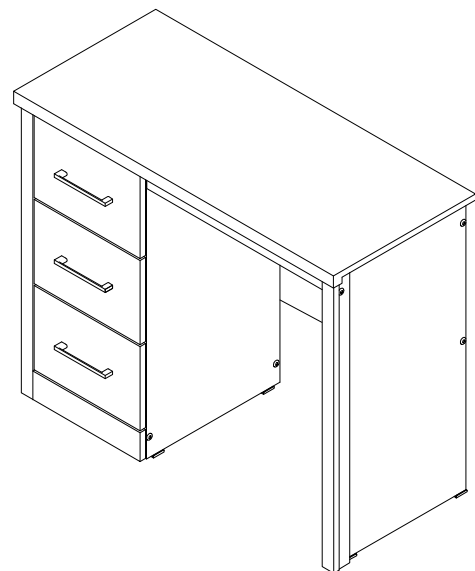
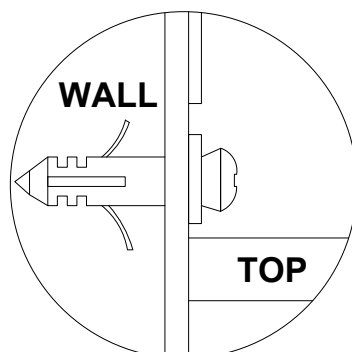
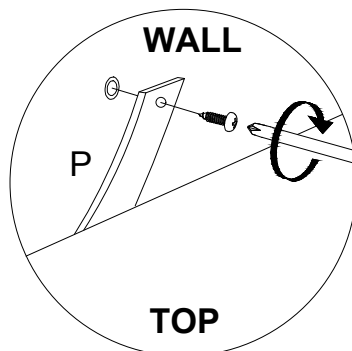
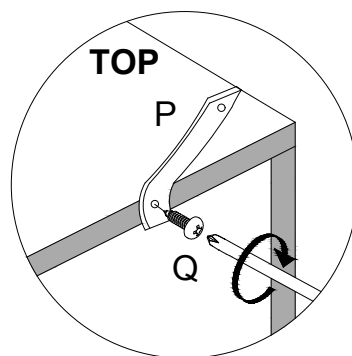
X3



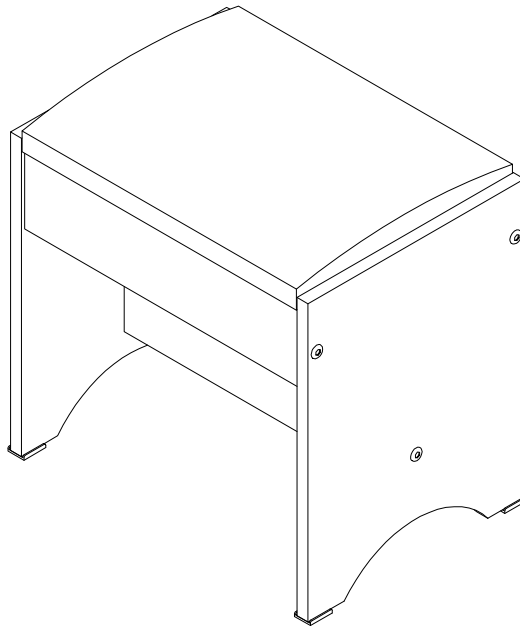
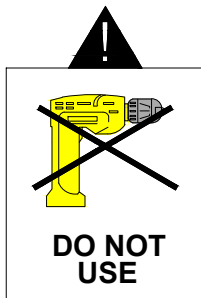
STEP 13PART REQUIREDHARDWARE REQUIREDTOOLS REQUIRED**WARNING**

Serious or fatal injuries can occur from furniture tipping over. To prevent the furniture from tipping over we recommend that it is permanently fixed to the wall.

Wall fixings are not supplied with this product as different wall materials require different types of fixing devices. Please make sure you use fixings suitable for the walls in your home.



LIGHT OAK EFFECT VENEER LISBON 3 DRAWER DRESSING TABLE STOOL ASSEMBLY INSTRUCTIONS



**IMPORTANT
FOR DOMESTIC USE ONLY
PLEASE READ BEFORE YOU CONTINUE FURTHER**

THE PRODUCT YOU HAVE PURCHASED WILL GIVE YOU MANY YEARS OF SERVICE IF YOU FOLLOW THE GUIDELINES FOR ITS SAFE ASSEMBLY AND PERIODIC MAINTENANCE AND CLEANING.

ASSEMBLE ON A SOFT CLEAN SURFACE.

DO NOT USE ANY TOOLS OTHER THAN THOSE SHOWN.

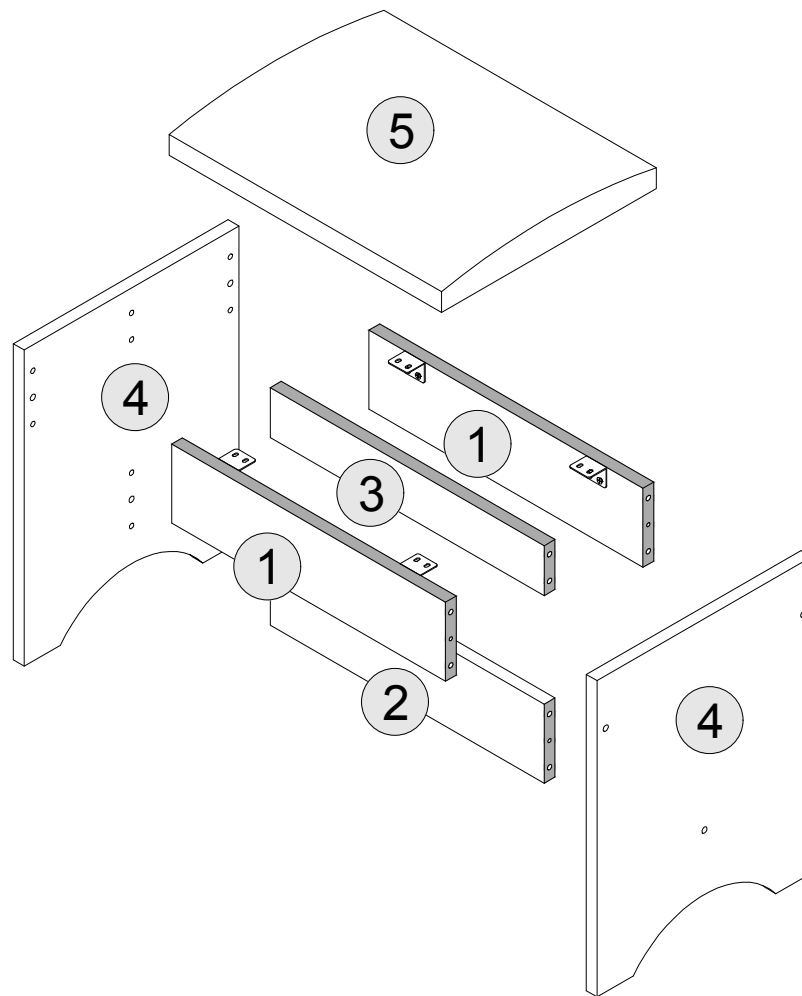
ANY SPANNERS OR ALLEN KEYS REQUIRED ARE INCLUDED WITH THE FITTINGS KIT.

DO NOT FOR ANY REASON USE A POWER TOOL TO ASSEMBLE THIS PRODUCT. ITS USE WILL INVALIDATE ANY CLAIM YOU MAY HAVE AND COULD MAKE THIS PRODUCT UNSAFE.

DEPENDING ON THE AMOUNT OF USE THIS PRODUCT RECEIVES IT MAY BE NECESSARY TO TIGHTEN UP THE FIXINGS FROM TIME TO TIME. THIS IS COMPLETELY NORMAL FOR ANY FLAT PACK FURNITURE. DO NOT OVERTIGHTEN FIXING.

FOR CLEANING, YOU MAY USE A DAMP CLOTH (NOT WET) DO NOT USE POLISH, DÉTERGENT OR CHEMICAL CLEANERS.

THE SURFACE OF THIS ITEM IS NOT HEAT RESISTANT. ALWAYS USE A PLACE MAT UNDER HOT OR COLD ITEMS TO PREVENT MARKING.



PART LIST

<u>Part Number</u>	<u>Part Code</u>	<u>Part Description</u>	<u>Quantity</u>	<u>Carton</u>
1	S100-107-012-EU1-01S	Top Crossbars	2	2/2
2	S100-107-012-EU1-02S	Centre Crossbar	1	2/2
3	S100-107-012-EU1-03S	Support Crossbar	1	2/2
4	S100-107-012-EU1-04S	Side Panel	2	2/2
5	S100-107-012-EU1-05S	Seat Cushion	1	2/2

HARDWARE LIST

A		DOWEL 6 X 30MM	16 PCS
B		BOLT M6 X 50MM	6 PCS
C		SCREW M3.5 X 16MM	12 PCS
D		PLASTIC FOOT	4 PCS
E		ALLEN KEY	1 PC

STEP 1

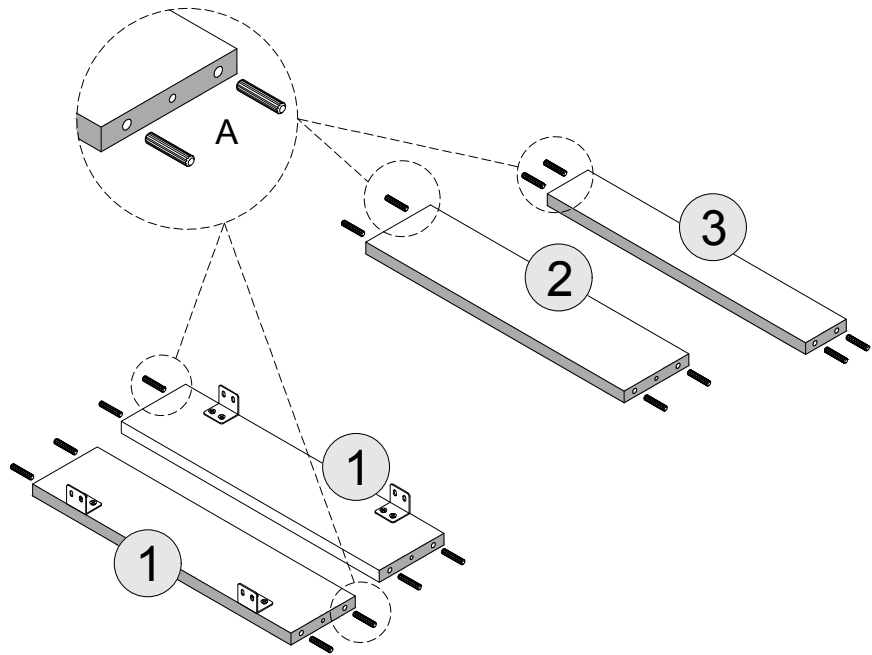
PARTS REQUIRED

1 - TOP CROSSBARS	x2
2 - CENTRE CROSSBAR	x1
3 - SUPPORT CROSSBAR	x1

HARDWARE REQUIRED

A		16
---	---	----

TOOLS REQUIRED

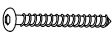


STEP 2

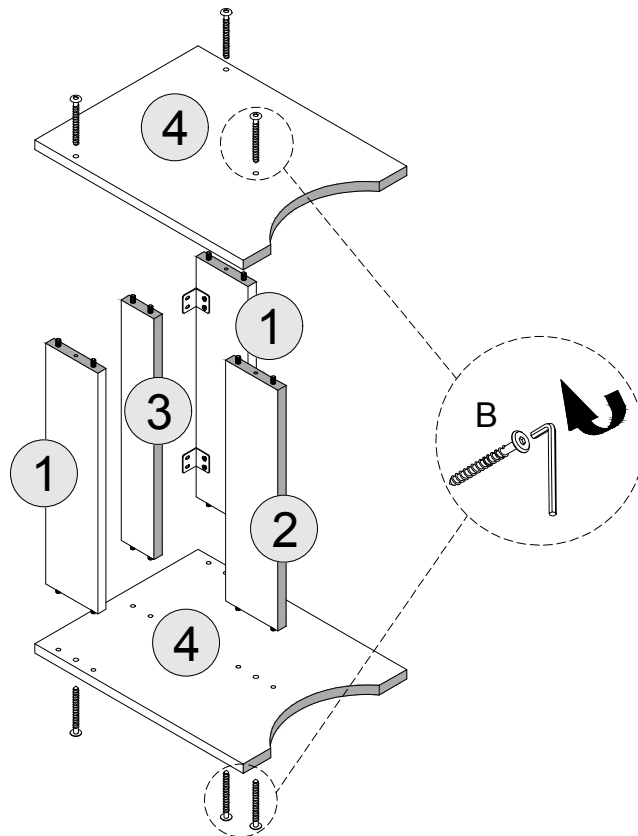
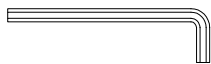
PARTS REQUIRED

1 - TOP CROSSBARS	x2
2 - CENTRE CROSSBAR	x1
3 - SUPPORT CROSSBAR	x1
4 - SIDE PANEL	x2

HARDWARE REQUIRED

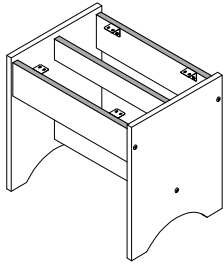
B		06
---	---	----

TOOLS REQUIRED

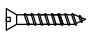



STEP 3

PARTS REQUIRED

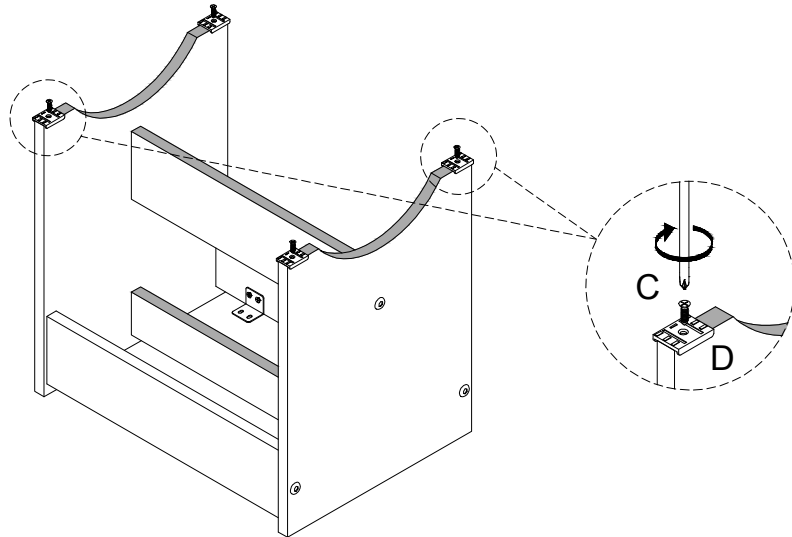
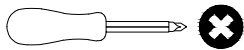


HARDWARE REQUIRED

C  04

D  04

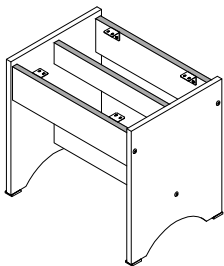
TOOLS REQUIRED



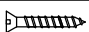
STEP 4

PARTS REQUIRED

5 - SEAT CUSHION x1



HARDWARE REQUIRED

C  08

TOOLS REQUIRED

