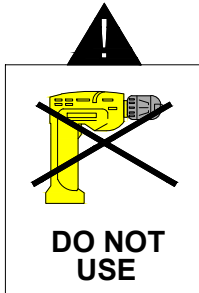


LIGHT OAK EFFECT VENEER LISBON 5 DRAWER NARROW CHEST ASSEMBLY INSTRUCTIONS



**IMPORTANT
FOR DOMESTIC USE ONLY
PLEASE READ BEFORE YOU CONTINUE FURTHER**

THE PRODUCT YOU HAVE PURCHASED WILL GIVE YOU MANY YEARS OF SERVICE IF YOU FOLLOW THE GUIDELINES FOR ITS SAFE ASSEMBLY AND PERIODIC MAINTENANCE AND CLEANING.

ASSEMBLE ON A SOFT CLEAN SURFACE.

DO NOT USE ANY TOOLS OTHER THAN THOSE SHOWN.

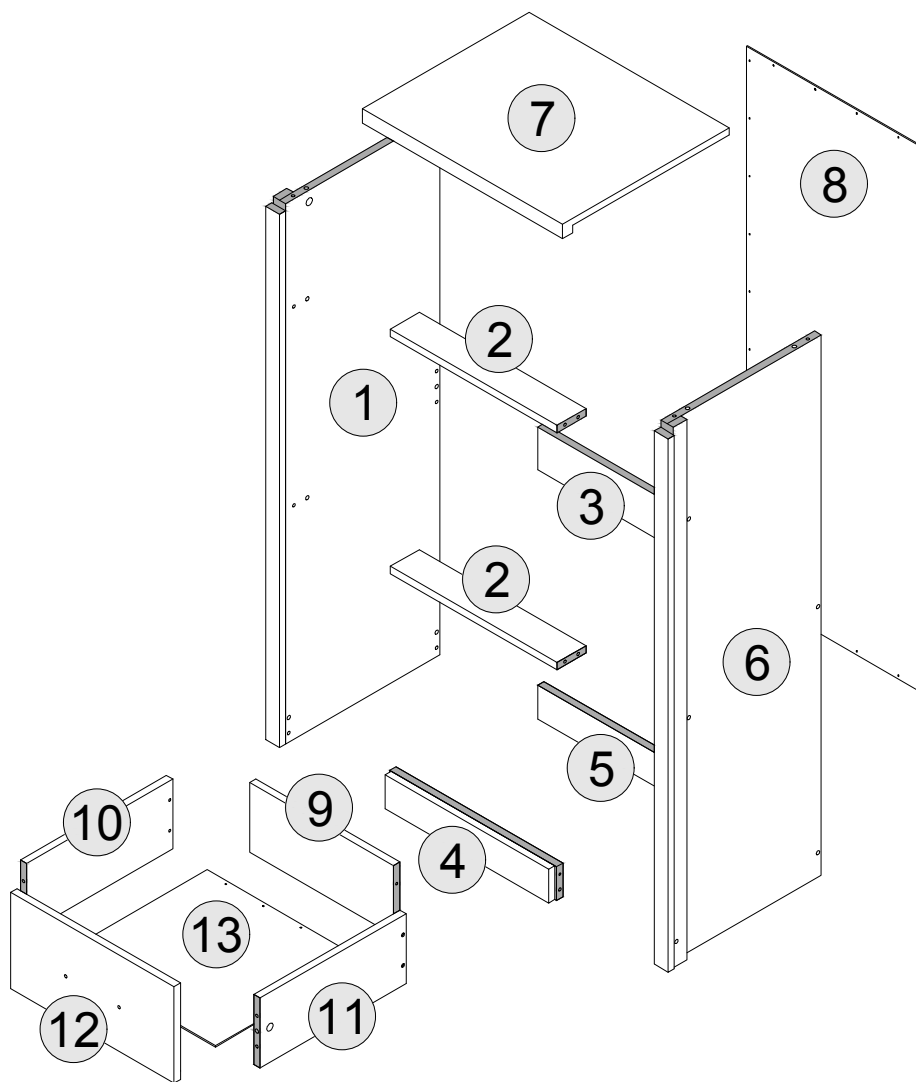
ANY SPANNERS OR ALLEN KEYS REQUIRED ARE INCLUDED WITH THE FITTINGS KIT.

DO NOT FOR ANY REASON USE A POWER TOOL TO ASSEMBLE THIS PRODUCT. ITS USE WILL INVALIDATE ANY CLAIM YOU MAY HAVE AND COULD MAKE THIS PRODUCT UNSAFE.

DEPENDING ON THE AMOUNT OF USE THIS PRODUCT RECEIVES IT MAY BE NECESSARY TO TIGHTEN UP THE FIXINGS FROM TIME TO TIME. THIS IS COMPLETELY NORMAL FOR ANY FLAT PACK FURNITURE. DO NOT OVERTIGHTEN FIXING.

FOR CLEANING, YOU MAY USE A DAMP CLOTH (NOT WET) DO NOT USE POLISH, DÉTERGENT OR CHEMICAL CLEANERS.


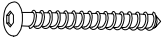
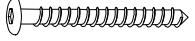
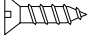
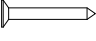


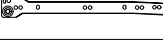
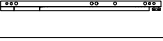


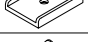




THE SURFACE OF THIS ITEM IS NOT HEAT RESISTANT. ALWAYS USE A PLACE MAT UNDER HOT OR COLD ITEMS TO PREVENT MARKING.

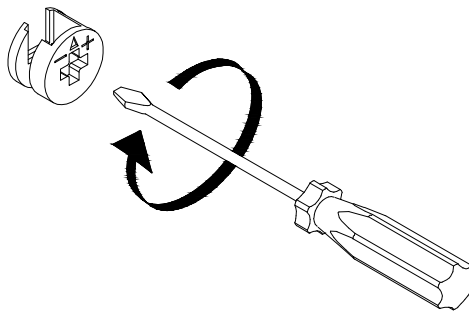


PART LIST

Part Number	Part Code	Part Description	Quantity	Carton
1	S100-102-079-EU1-01	Left Side Panel	1	1/2
2	S100-102-079-EU1-02	Front Crossbar	1	2/2
3	S100-102-079-EU1-03	Centre Back Crossbar	1	2/2
4	S100-102-079-EU1-04	Base Front Apron	1	2/2
5	S100-102-079-EU1-05	Base Back Crossbar	1	2/2
6	S100-102-079-EU1-06	Right Side Panel	1	1/2
7	S100-102-079-EU1-07	Top Panel	1	2/2
8	S100-102-079-EU1-08	Back Panel	1	1/2
9	S100-102-079-EU1-09	Drawer Back	5	2/2
10	S100-102-079-EU1-10	Drawer Side - Left	5	2/2
11	S100-102-079-EU1-11	Drawer Side - Right	5	2/2
12	S100-102-079-EU1-12	Drawer Front	5	2/2
13	S100-102-079-EU1-13	Drawer Base	5	2/2

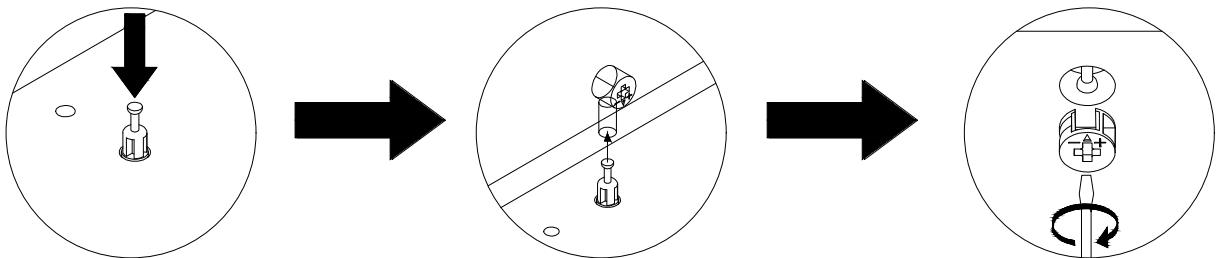
HARDWARE LIST

A		DOWEL 6 X 30MM	36 PCS
B		BOLT M6 X 50MM	8 PCS
C		BOLT M7 X 60MM	2 PCS
D		SCREW M3.5 X 16MM	34 PCS
E		TACK	44 PCS
F		HANDLE SCREW 19MM	10 PCS
G		HANDLE	5 PCS
H		DRAWER RUNNER A - L/R	10 PCS
I		DRAWER RUNNER B - L/R	10 PCS
J		SCREW M4 X 38MM	20 PCS
K		SCREW M3.5 X 12MM	44 PCS
L		PLASTIC FOOT	4 PCS
M		CAM BOLT + CAM NUT	14 SETS
N		ALLEN KEY	1 PC
O		ANTI - TIP STRAP	2 PCS
P		SCREW M4 X 16MM	2 PCS



(SCREWDRIVER NOT PROVIDED)

USE A FLAT HEAD SCREWDRIVER TO TIGHTEN THE CAM NUTS. A QUARTER TURN CLOCKWISE IS ALL THAT IS NEEDED.



STEP 1 - PUSH CAM BOLT INTO INSERT

STEP 2 - ALIGN THE CAM BOLT WITH THE HOLE AND PUSH TOGETHER UNTIL FLUSH. (MAKE SURE THE ARROW OF THE CAM LOCK IS POINTING TOWARD ON THE EDGE OF THE PANEL.)


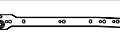
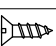

STEP 3 - THE HEAD OF THE BOLT GOES INTO THE WIDE MOUTH OF THE CAM LOCK. YOU THEN TURN THE LOCK SO THE NARROW PART CLOSES OVER THE BOLT.

STEP 1

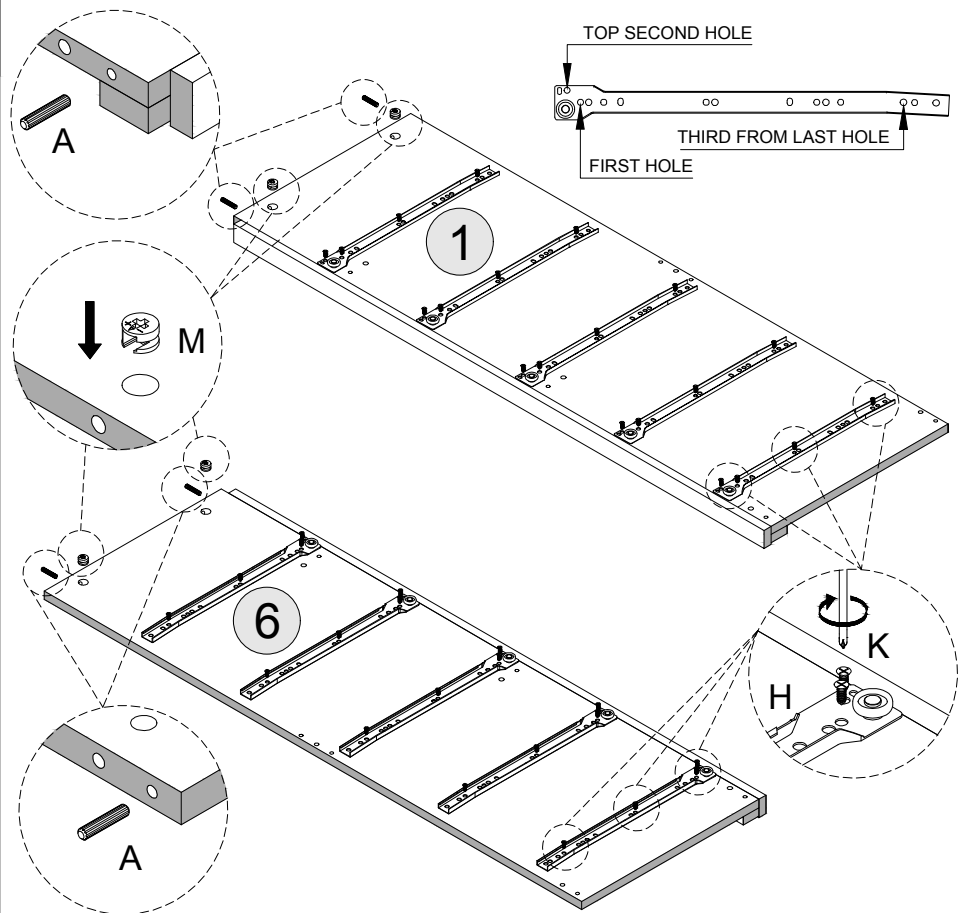
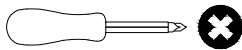
PARTS REQUIRED

1 - LEFT SIDE PANEL	x1
6 - RIGHT SIDE PANEL	x1

HARDWARE REQUIRED

A		04
H		10
K		40
M		04

TOOLS REQUIRED





STEP 2

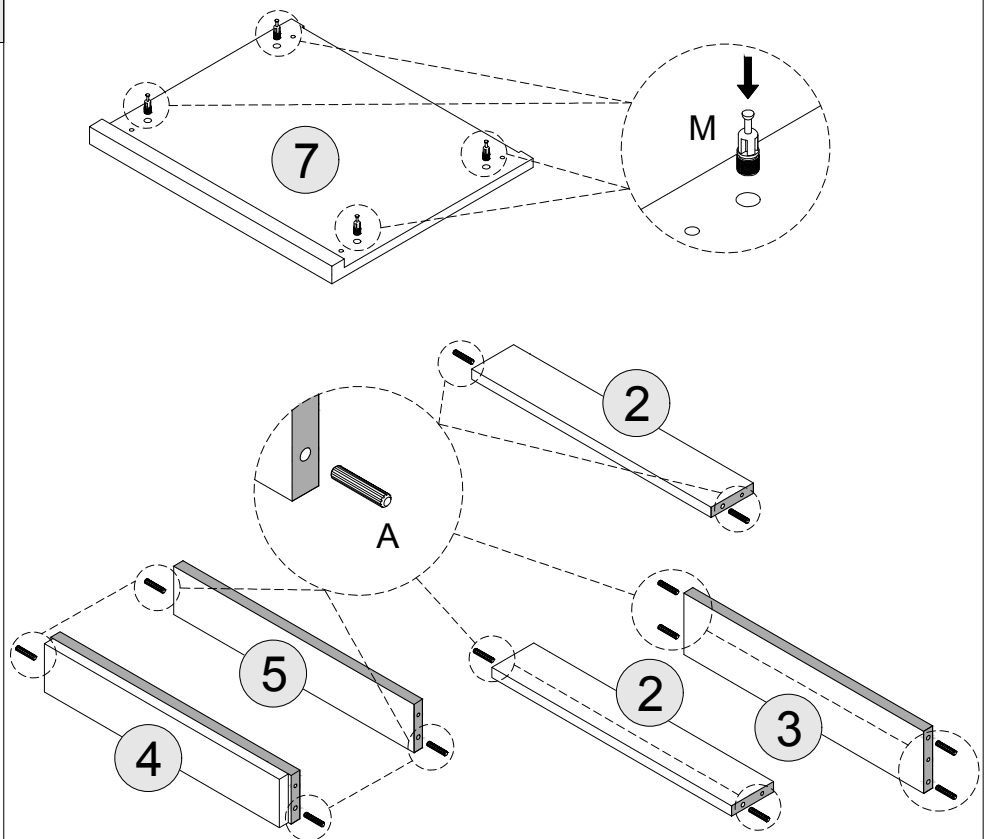
PARTS REQUIRED

2 - FRONT CROSSBAR	x2
3 - CENTRE BACK CROSSBAR	x1
4 - BASE FRONT APRON	x1
5 - BASE BACK CROSSBAR	x1
7 - TOP PANEL	x1

HARDWARE REQUIRED

A		12
M		04

TOOLS REQUIRED

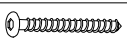


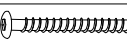
STEP 3

PARTS REQUIRED

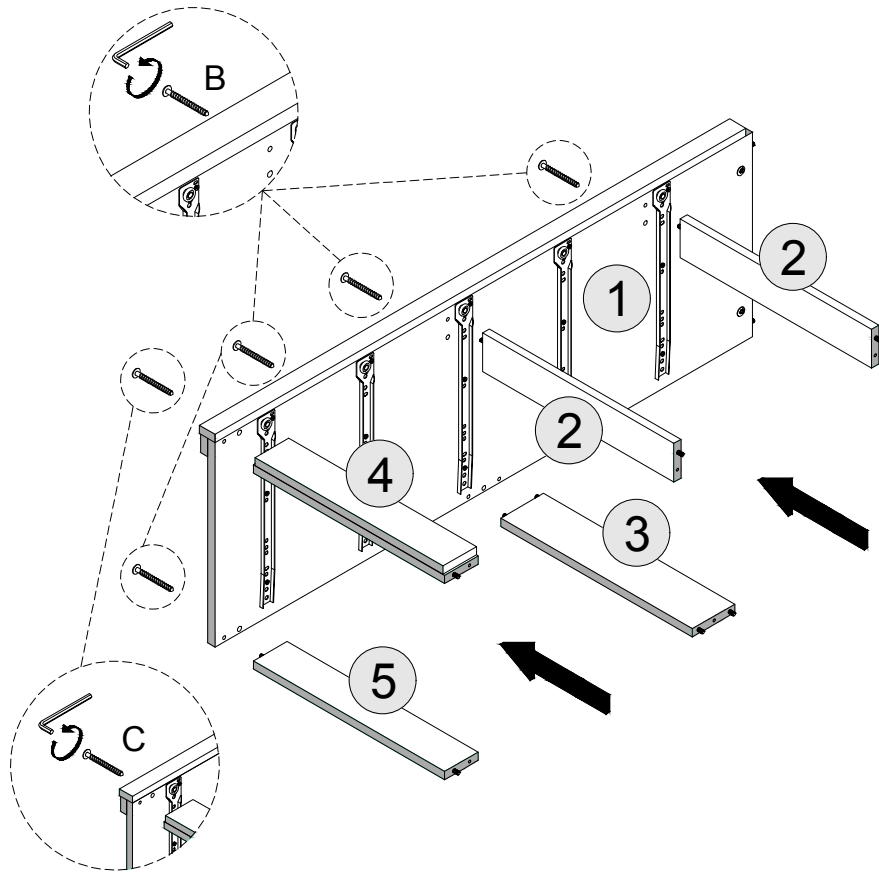
1 - LEFT SIDE PANEL	x1
2 - FRONT CROSSBAR	x2
3 - CENTRE BACK CROSSBAR	x1
4 - BASE FRONT APRON	x1
5 - BASE BACK CROSSBAR	x1

HARDWARE REQUIRED

B		04
---	---	----

C		01
---	---	----

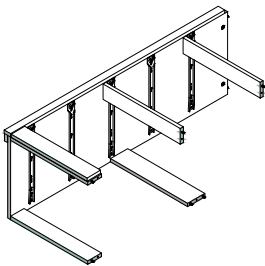
TOOLS REQUIRED



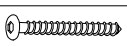
STEP 4

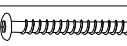
PARTS REQUIRED

6 - RIGHT SIDE PANEL	x1
----------------------	----

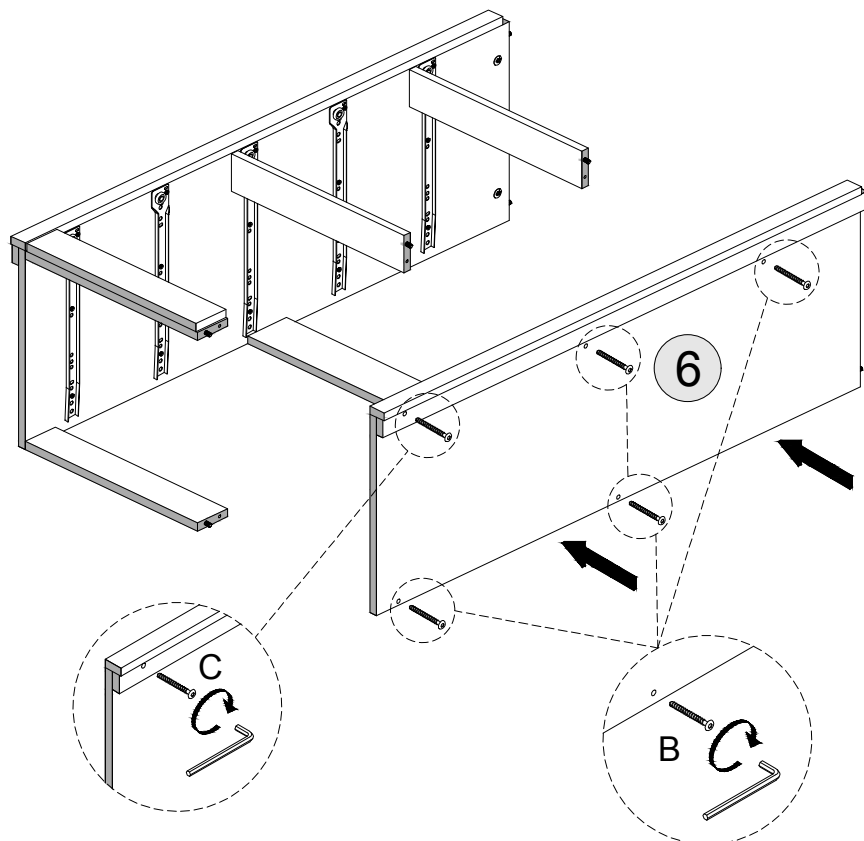


HARDWARE REQUIRED

B		04
---	---	----

C		01
---	---	----

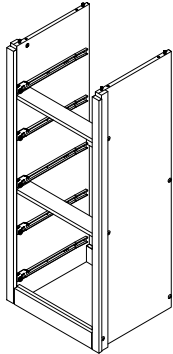
TOOLS REQUIRED



STEP 5

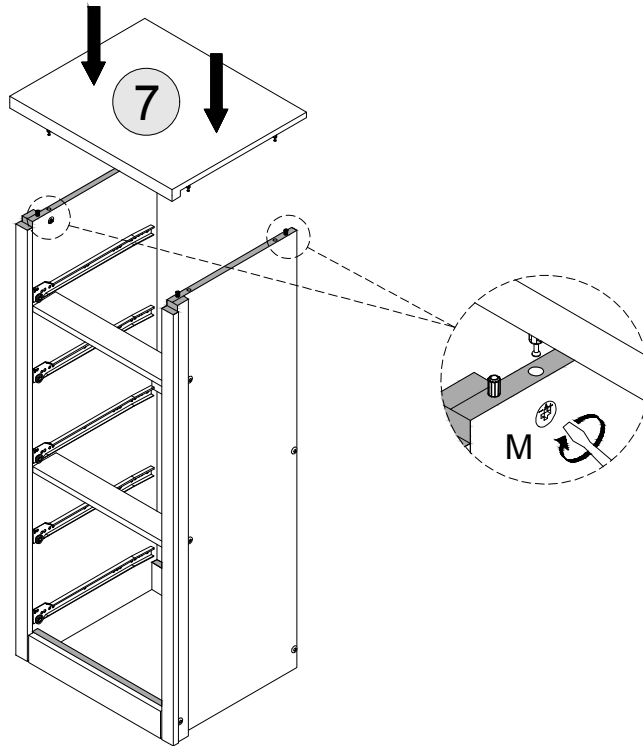
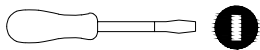
PARTS REQUIRED

7 - TOP PANEL x1



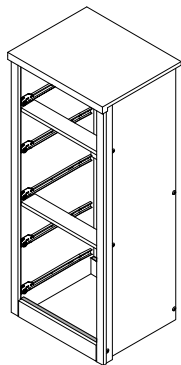
HARDWARE REQUIRED

TOOLS REQUIRED

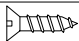


STEP 6

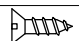
PARTS REQUIRED



HARDWARE REQUIRED

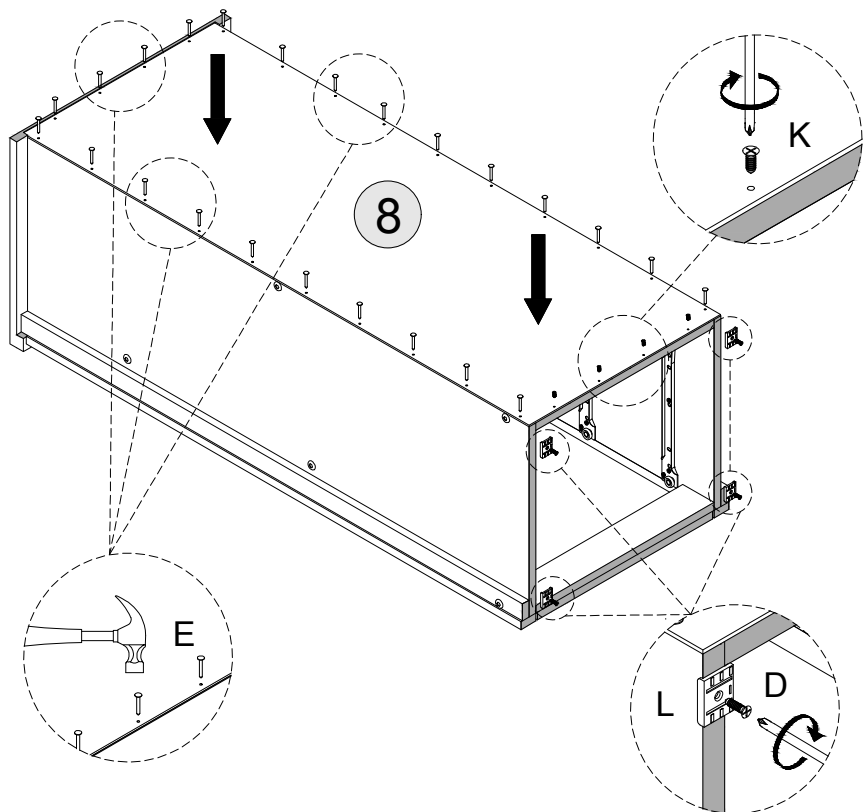
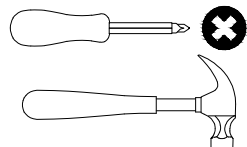
D  04

E  24

K  04

L  04

TOOLS REQUIRED



STEP 7

PARTS REQUIRED

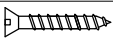
9 - DRAWER BACK x5

10 - DRAWER SIDE - LEFT x5

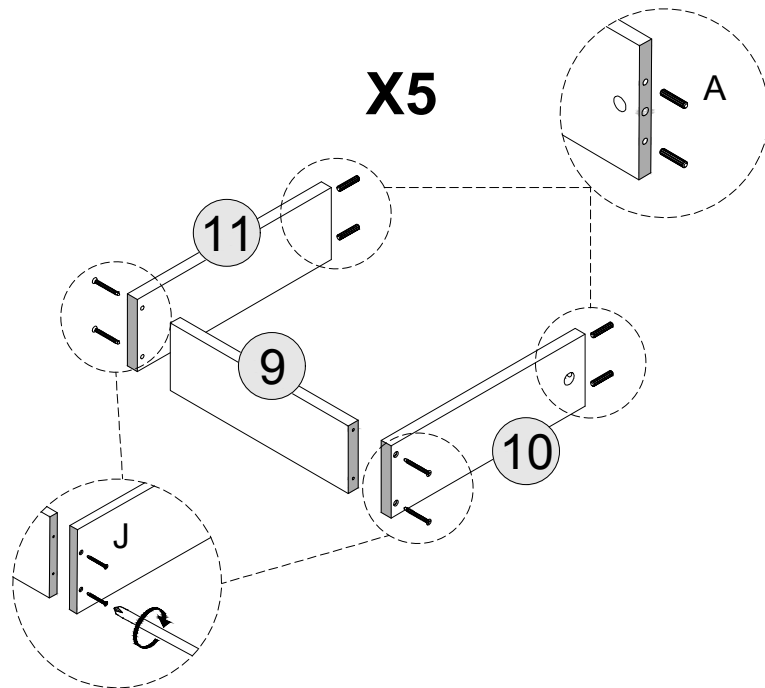
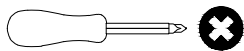
11 - DRAWER SIDE - RIGHT x5

HARDWARE REQUIRED

A  20

J  20

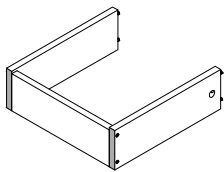
TOOLS REQUIRED



STEP 8

PARTS REQUIRED

12 - DRAWER FRONT x5



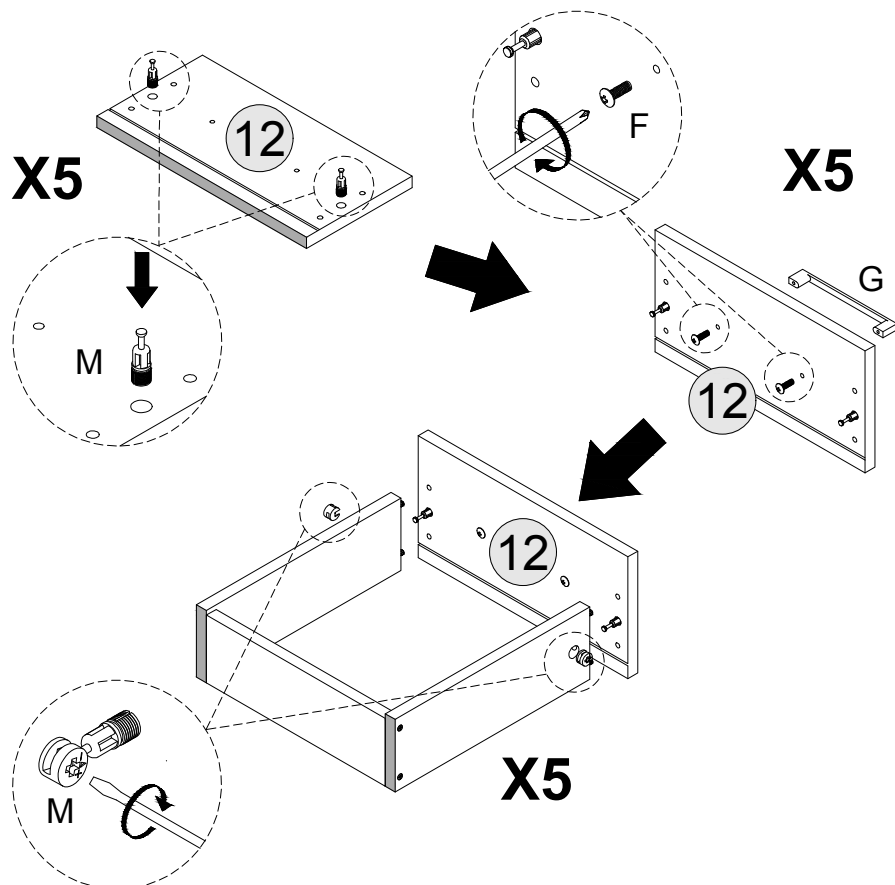
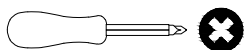
HARDWARE REQUIRED

F  10

G  05

M  10

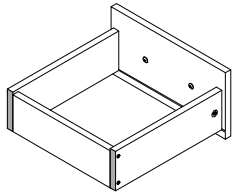
TOOLS REQUIRED



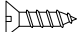
STEP 9

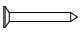
PARTS REQUIRED

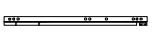
13 - DRAWER BASE x5



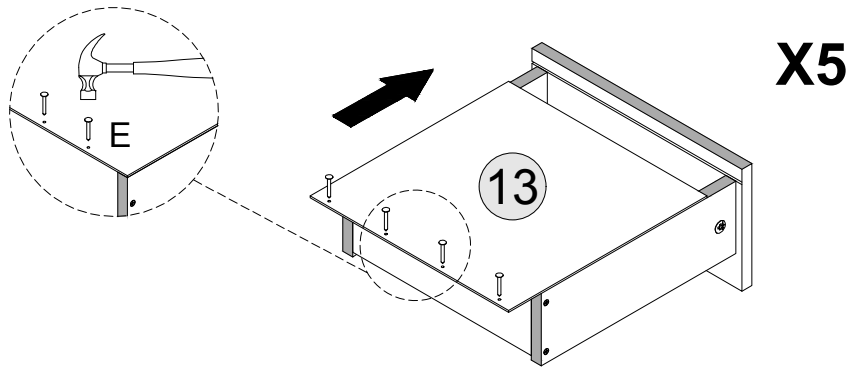
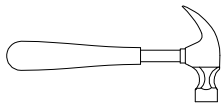
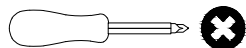
HARDWARE REQUIRED

D  30

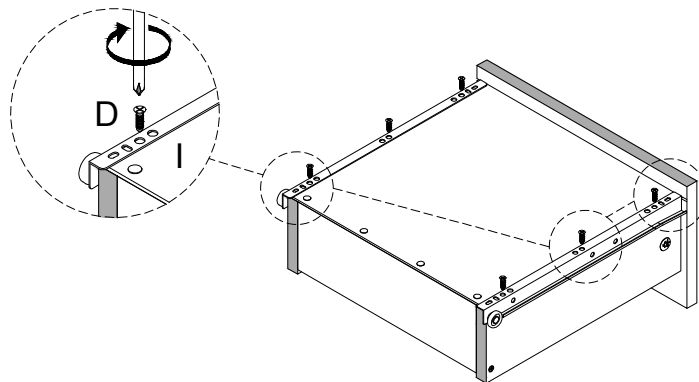
E  20

I  10

TOOLS REQUIRED



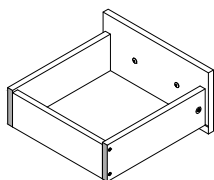
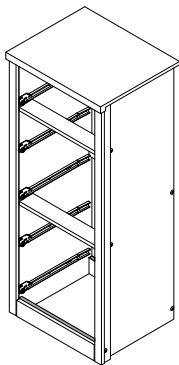
X5



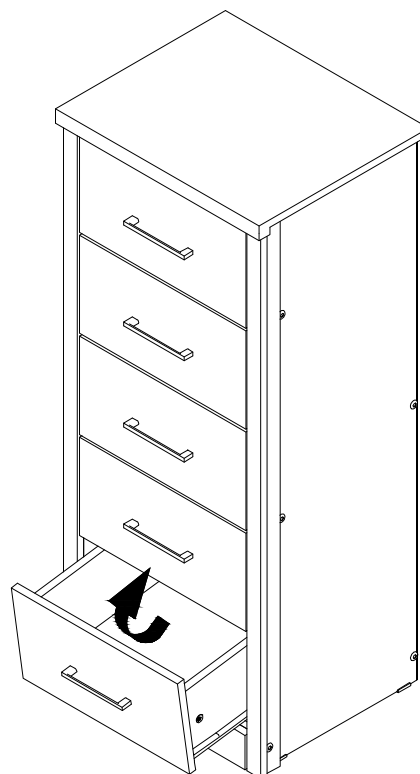
X5

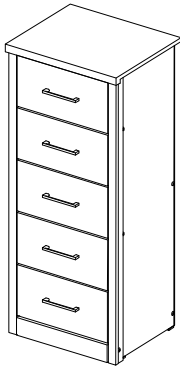
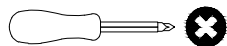
STEP 10

PARTS REQUIRED



X5



STEP 11PART REQUIREDHARDWARE REQUIREDTOOLS REQUIRED**WARNING**

Serious or fatal injuries can occur from furniture tipping over. To prevent the furniture from tipping over we recommend that it is permanently fixed to the wall.

Wall fixings are not supplied with this product as different wall materials require different types of fixing devices. Please make sure you use fixings suitable for the walls in your home.

